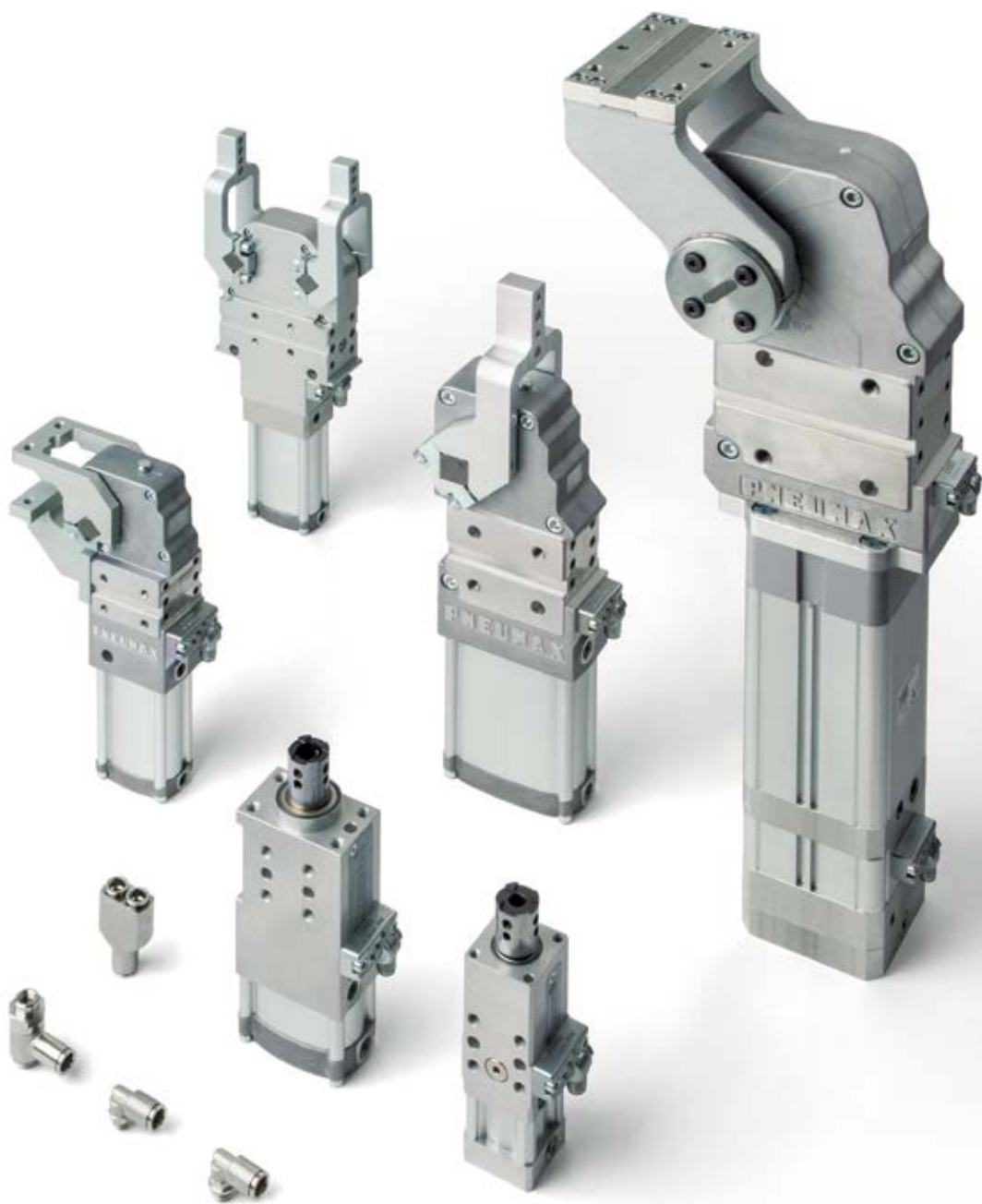




PNEUMAX



AUTOMOTIVE
CATALOGUE

Automotive Catalogue

The ultimate clamping technology

Innovation begins with Research and Development and extends to industrial processes and business activities, with the ultimate aim of total customer satisfaction.



Pneumax

Smart Technologies and Human Competence

Founded in 1976, **PNEUMAX S.p.A.** is today one of the leading, international manufacturers of components and systems for industrial automation. It is at the fore front of a group of 29 companies, with over 850 employees worldwide.

Ongoing investment in research and development has allowed **Pneumax** to continually expand its range of standard products and customised solutions, adding to the well-established pneumatic technology, a range of electric drive actuators and fluid control components.



**Pneumatic
Technology**



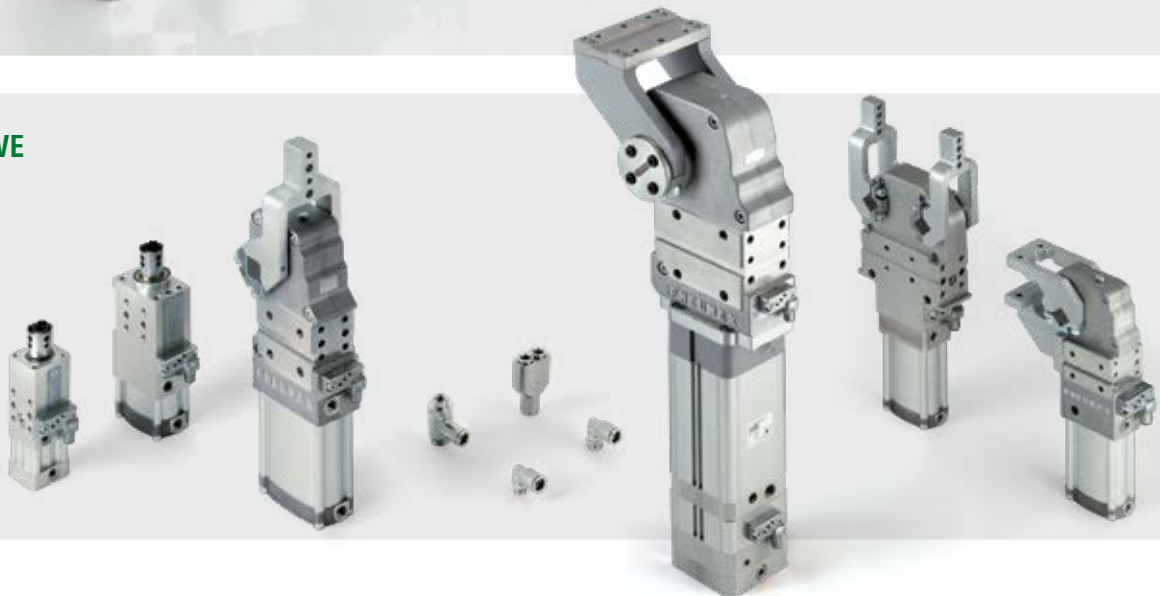
**Electric
Actuation**



**Fluid
Control**



INDUSTRIAL AUTOMATION

**PROCESS
AUTOMATION****AUTOMOTIVE**

The ability to provide various technologies and solutions for our clients' applications is the main objective of our company, making us the ideal strategic partner.

What defines us is "**Pneumax Business Attitude**", born out of the capacity to combine industry sectors, technology and our application skills via client collaboration with our business sector and product sector specialists. This represents the main distinguishing factor of what Pneumax offers.



The Automotive division

Product development

The Automotive division of Pneumax **designs and manufactures a complete range of products dedicated to the production lines of the automotive field, focusing on Body in White applications.**



Pneumax offers a comprehensive range of clamping units, pivot units, pin packages as well as grippers and complete multi-axis positioning systems.

Developed by a team of specialized technicians, the product is designed to ensure maximum reliability, precision and repeatability in compliance with the latest international mounting standards.

Particular attention has been paid to energy efficiency which through patented designs provides the largest energy saving solutions available in this market.

Every stage of manufacturing and product testing is carried within our specially equipped departments at our headquarters in Lurano (BG).

The worldwide presence of Pneumax ensures optimized and coordinated project management: the highest level of service is provided to all of our international customers.

Market requirement evaluation and product specs definition by product management. The project team analyzes the technical feasibility and sets a general timeline.



1 CONCEPT



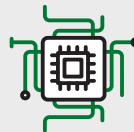
2 PROTOTYPING

After a **structural mechanics simulation analysis**, the R&D team prepares a CAD model which is used with a **3 axis printing-moulding machine** to manufacture the first prototypal batches.

Electronic components are developed and manufactured **in-house** by Pneumax to be integrated in any system or as interface to any protocol.

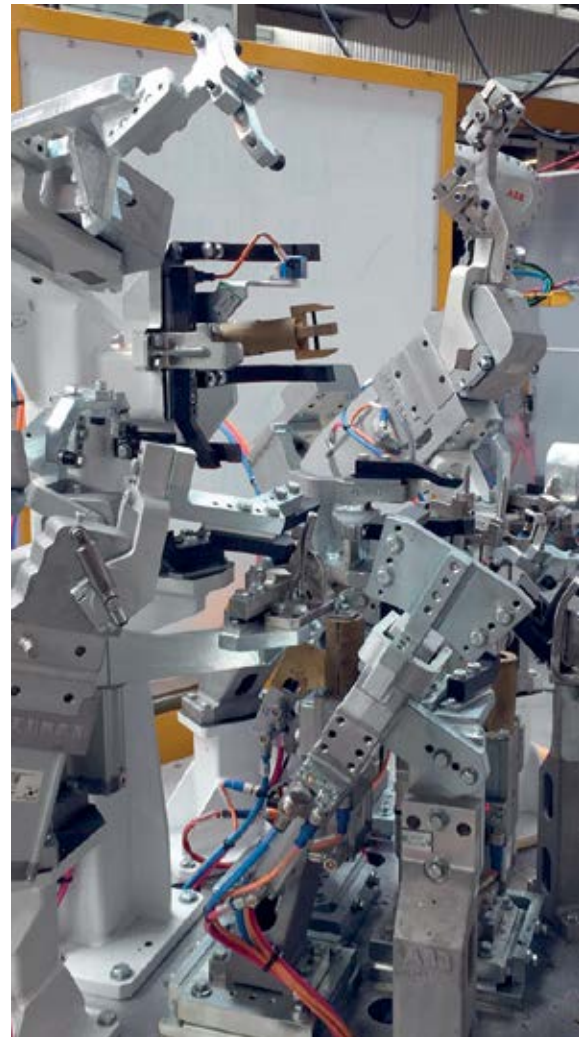


3 ELECTRONICS INTEGRATION



4 FMEA

The first close-to-series samples are machined, using the **latest generation machinery**. The first **FMEA** is prepared.



Life test and approval.
The products are subjected to **functional, performance, temperature tests** for millions of cycles.



The industrialization team together with the technical department develop any **specific equipment and tool required**. Suppliers' evaluation is accomplished.



5

EVALUATION AND INSPECTION



6

ENGINEERING

The engineering department evaluates and adopts the most suitable manufacturing technology and assembly procedure to implement, using **3D simulation programs**.



7

PRODUCT INDUSTRIALIZATION

8

PILOT SERIES RELEASE AND PRODUCT AUDIT

Verification and validation that the product meets the requirements.

Product range

Automotive series

Our clamping series features the widest range in clamping moment & stepless adjustable opening in the industry.

Extensive Product Range covering **Clamping, Locating, Handling, Pivoting** functions, with all options required in the **BIW** production lines.

Clamping



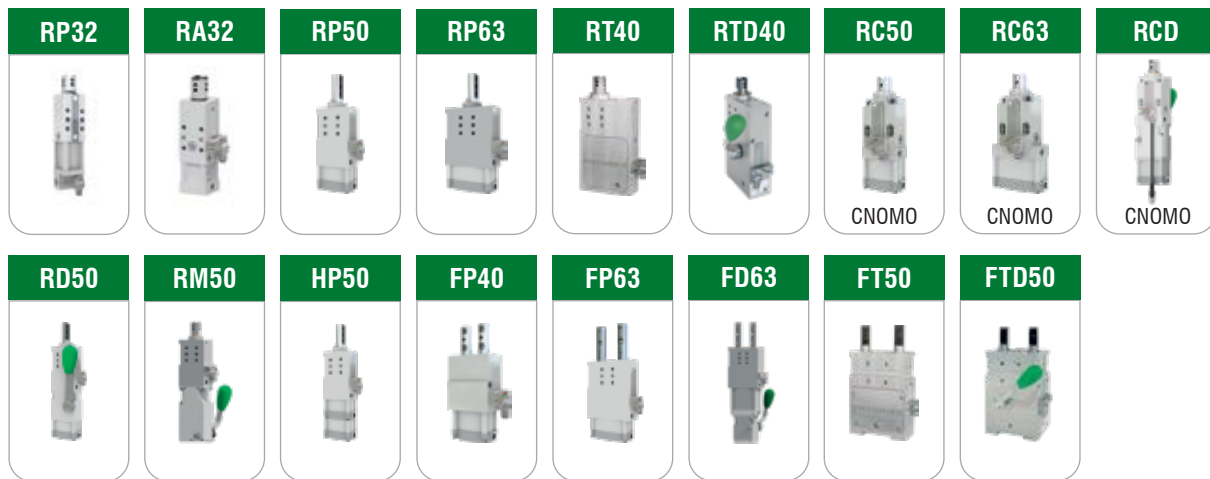
C1P25 	C1P32 	C1P40 	C1P45 	C1P50 	C1P63 	C1P80 	CB40 	CB63 	
C1D25 	C5D32 	C1D40 	C1D50 	C1D63 	C1D80 	C1M50 	C1M63 	C5M32 	CL25
HC1 	C2P50 NAAMS	C2P63 NAAMS	C2P80 NAAMS	C2D50 NAAMS	C2D63 NAAMS	C2D80 NAAMS	C3P40 	C3P50 	C3P63
C4P50 	C4P63 								
HE1P0 	HE1P1 	HE1P2 	HE1P3 	HE1P4 	HE2P1 NAAMS	HE2P2 NAAMS	HE2P3 NAAMS		
C1X40E 	C1X50E 	C1X63E 	C2X50E NAAMS	C2X63E NAAMS	ADWI14 	ADWI18 			

Special Clamping products:

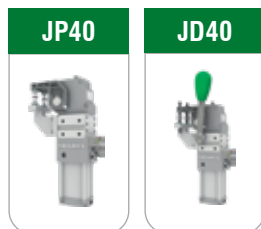
Sealed > Product Series+S

Example: C1S...,C2S...HE1S...,HE2S...

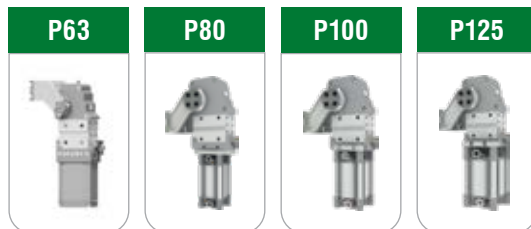
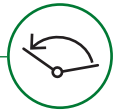
Locating



Handling



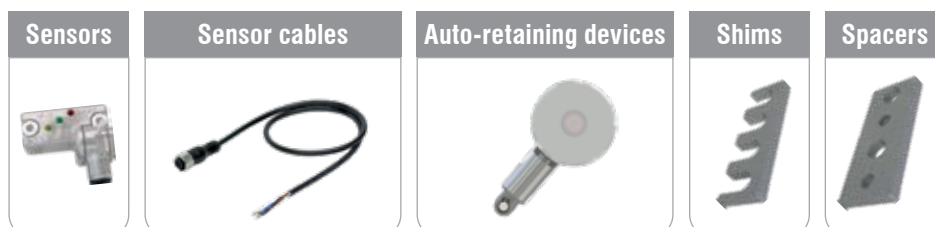
Pivoting



Complementary products



Accessories





Index

Automotive series

CLAMPING	10
C1-Series – International mount	12
C2-Series – NAAMS Standard	41
C3 and C4-Series – New integrated hold open device	52
HE1-Series – International mount	60
HE2-Series – NAAMS Standard	70
CX-Series – International and NAAMS mount	80
CS/HES-Series – Sealed clamps International and NAAMS mount	86
CB-Series – Double arm clamps	87
CL-Series – Pneumatic clamp	93
HC-Series – Hydraulic clamps	96
LOCATING	101
R-Series	104
RT-Series	124
RC-Series	130
HP-Series	136
F-Series	140
FT-Series	146
HANDLING	156
J-Series	158
PIVOTING	162
P-Series	165
MLGA NC LOCATORS	178
COMPLEMENTARY PRODUCTS	182
Tubes	183
Fittings	184
1390-Series – ISO 15552 cylinders with rodscrapers	208
6110-Series – Compact guided cylinders	210
Special design products	213
ACCESSORIES	214
Sensor	215
Cable	217
AR-Series	218
Auto-retaining devices	225
Shims and Spacers	226
ATEX	228
COMPONENTS FOR THE AUTOMOTIVE INDUSTRY	232

Clamping

Stepless adjustment of the opening angle with the quickest set-up time in the market.



The lightest and most compact



Patented

The lightest and most compact

An internal hard stop and a rigid linkage secure a **precise and backlash-free positioning thus enhancing the repeatability of the closed position.**

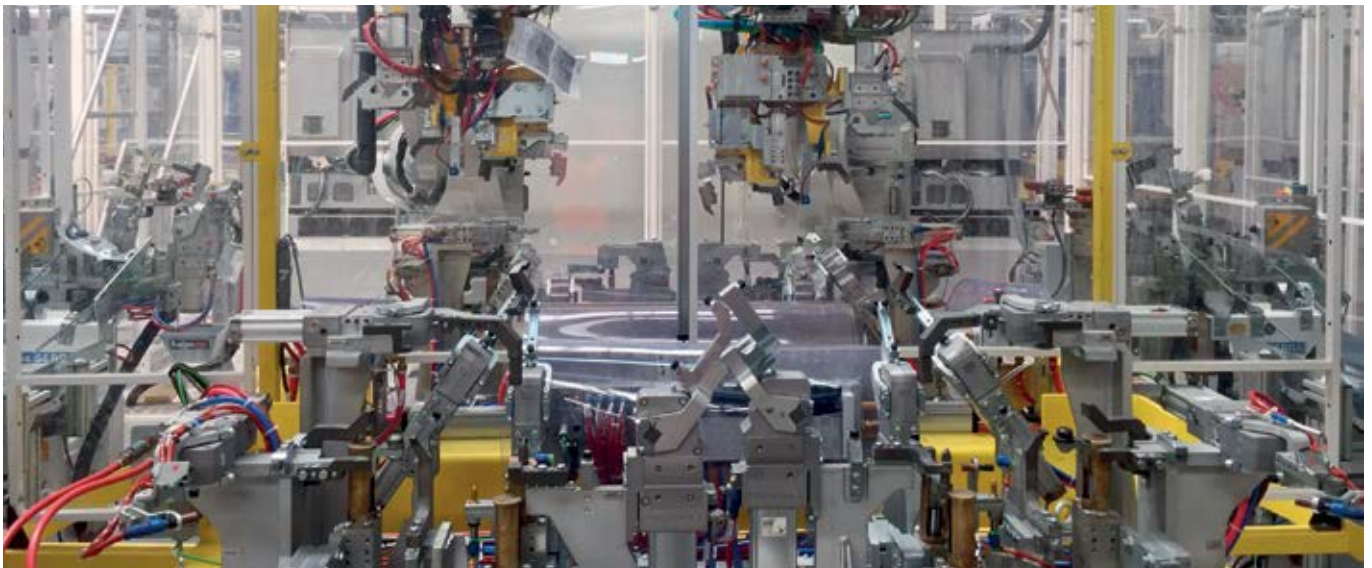
The toggle mechanism is fully encapsulated within the lightweight aluminum body construction.

Superior needle roller bearings with joints for high load capacity and protection. Protection against any contamination of weld spatter, welding debris and coolants enabling clamps to operate continuously in extreme environments.

3 MLN
CYCLES

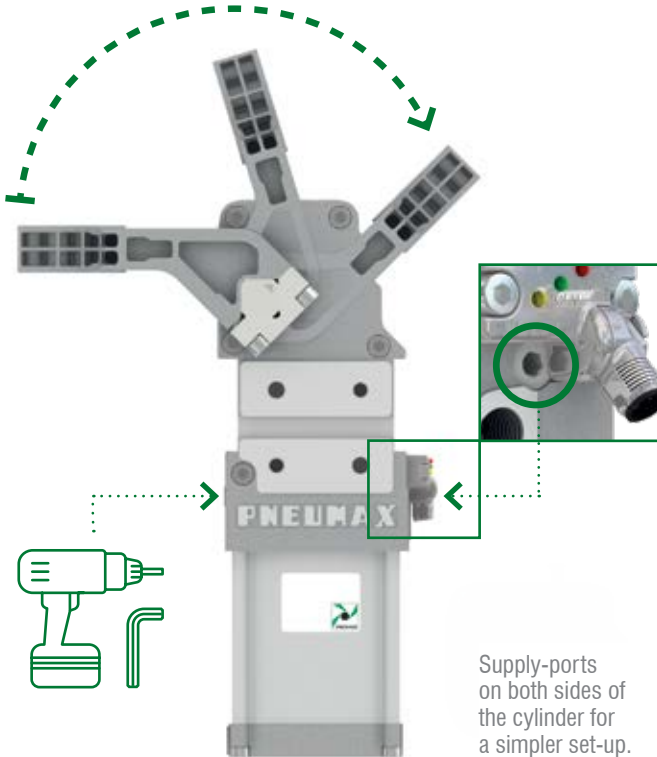
Maximum structural resistance and fatigue strength.

AR system to maintain the load in the open position without air supply.



Stepless opening angle adjustment

Easily accessible and simple field adjustment from the rear or front side of the device, with an Allen wrench or a screw gun. A built-in, single-touch opening adjustment, with external access through a recessed detent: no disassembly is ever required.

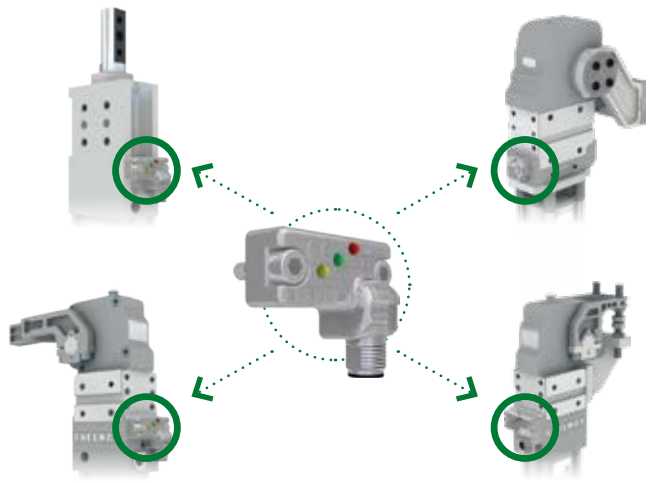


Reliable opening adjustment

The opening position is repeatable thanks to an **anti-rotation device** integrated in the piston. The arm selection remains secure. A **retain mechanism** secures the adjustment tool in its seat and prevents the Allen wrench to fall down during the adjustment procedure.

Electronic sensor

One only sensor is used for all products, all sizes and series. EMC compliance to EN 60947-5-2:2007+A1:2012. Swivel connector 0°-90°



Efficient cushioning system

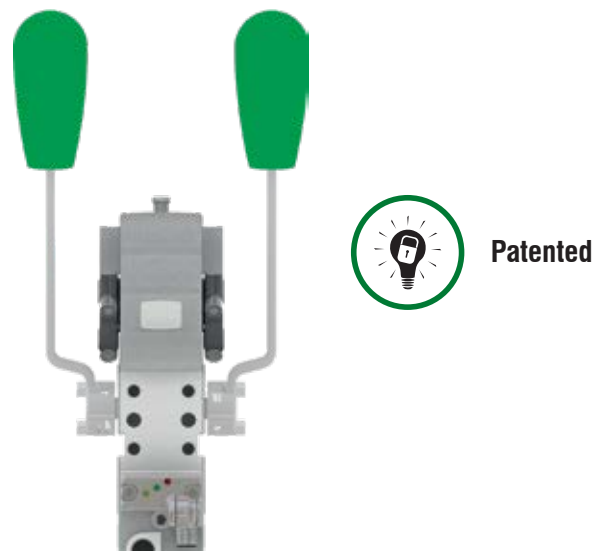
- Shorter cycle time
- Longer lifetime
- Less noise
- Less abrupt movements
no slamming - no shocks
- Less impact forces generated
by dynamic stress factor



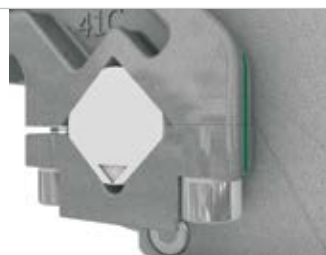
Robust & versatile hand lever

Dual shaft output

Sturdy & durable solution with extremely compact and flat dimensions. The integrated manual operation guarantees that the toggle joint is engaged and requires a very low force to reach the irreversible condition.



Optimal clamping arm-shaft connection and arm structure



C1-Series

Pneumatic and manual power clamps International mount

INTERNATIONAL
MOUNT



Pneumax clamps' series have all been developed with a modern and compact design which goes towards **enhancing the operational performances**, such as the cycle time, combined with a very limited total weight without compromising their **strength** and **resistance**.

Thanks to the material chosen for the housings and the clamping arms, a high quality aluminum alloy, as well as due to the compact design of the cylinder and the housings, to minimize any interfering contours, Pneumax devices are **the lightest and most compact power clamps in the market**.

CLAMPING

Technical features

Manual release button to open the linkage when air pressure is removed during setup. **Pneumatic ports on both sides** of the cylinder.

Operating features

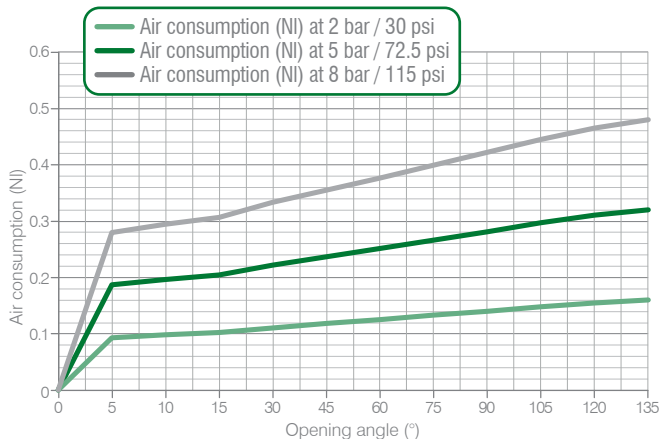
Operating pressure	from 2 to 8 bar / from 30 to 115 psi
Lubrication	all the devices are lubricated for life at the factory. Inline air lubrication isn't required

Functional charts

Size 25 mm

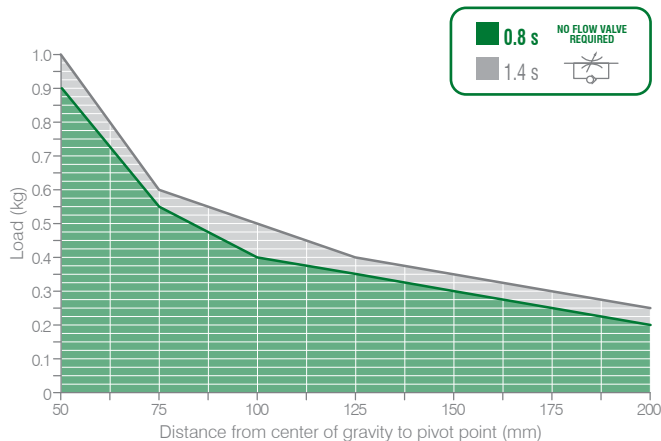
- Air consumption**

Air consumption for complete cycle (opening and closing)
REV. 00 - 17/06/2015



- Tooling weight chart**

5 bar operating pressure – 135° opening angle
REV. 00 - 18/11/2016



- Clamping moment (at 5 bar / 72.5 psi)**
50 N m / 36,87 lb-ft

- Holding moment**
75 N m / 55,31 lb-ft

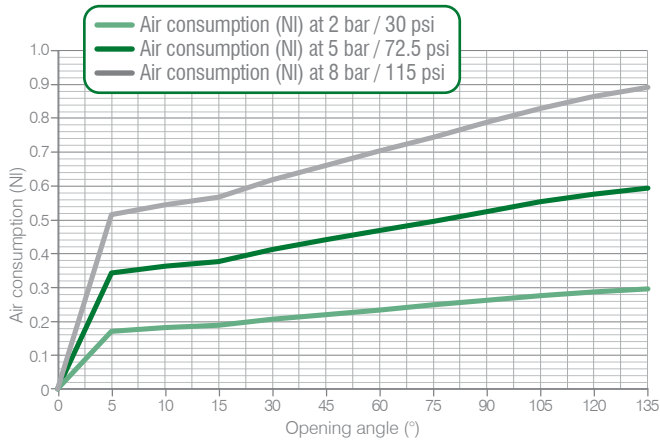
- Cycle time for max opening angle**
< 0.8 s

The above data are meant for correct working conditions of the clamp with the same performance level during its life time. For applications which exceed the above data, please contact our sales representatives.

Size 32 mm

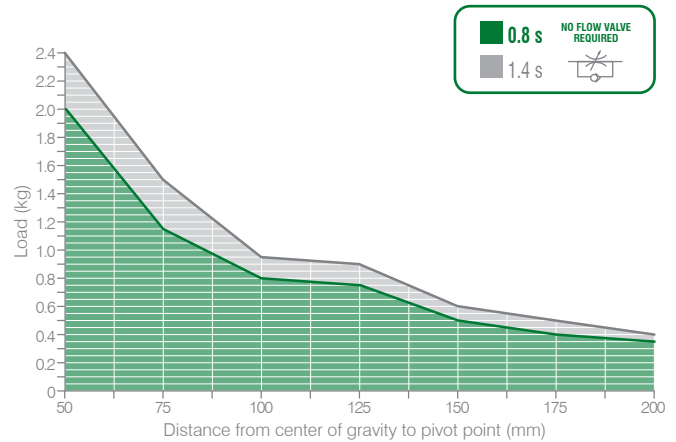
Air consumption

Air consumption for complete cycle (opening and closing)
REV. 00 - 17/06/2015



Tooling weight chart

5 bar operating pressure – 135° opening angle
REV. 00 - 18/11/2016



- Clamping moment (at 5 bar / 72.5 psi)
75 N m / 55,31 lb-ft

- Holding moment
250 N m / 184,39 lb-ft

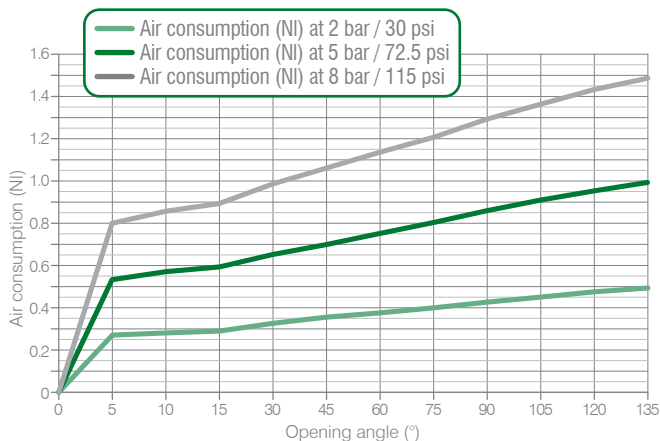
- Cycle time for max opening angle
< 0.8 s

The above data are meant for correct working conditions of the clamp with the same performance level during its life time. For applications which exceed the above data, please contact our sales representatives.

Size 40 mm

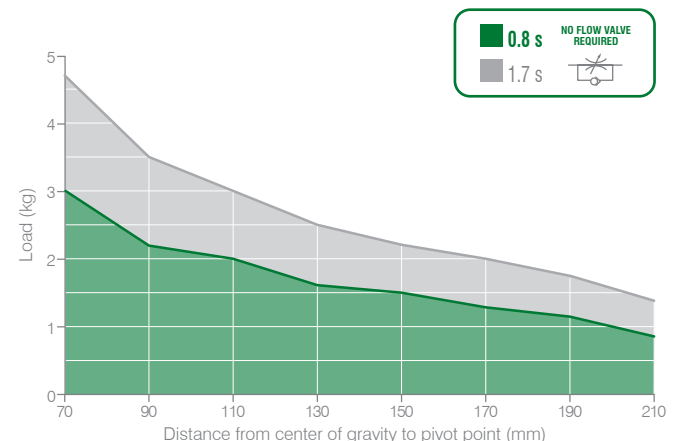
Air consumption

Air consumption for complete cycle (opening and closing)
REV. 00 - 17/06/2015



Tooling weight chart

5 bar operating pressure – 135° opening angle
REV. 00 - 17/06/2015



- Clamping moment (at 5 bar / 72.5 psi)
130 N m / 95,88 lb-ft

- Holding moment
380 N m / 280,27 lb-ft

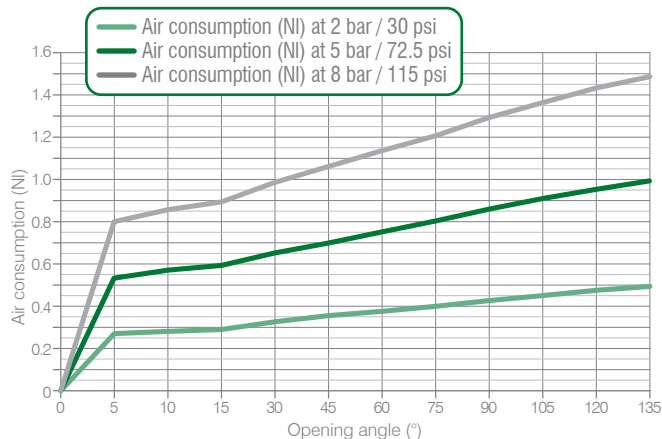
The above data are meant for correct working conditions of the clamp with the same performance level during its life time. For applications which exceed the above data, please contact our sales representatives.

C1-Series / Functional charts (continued)

Series 45 - size 40 interchangeable to size 50 and 63 mm

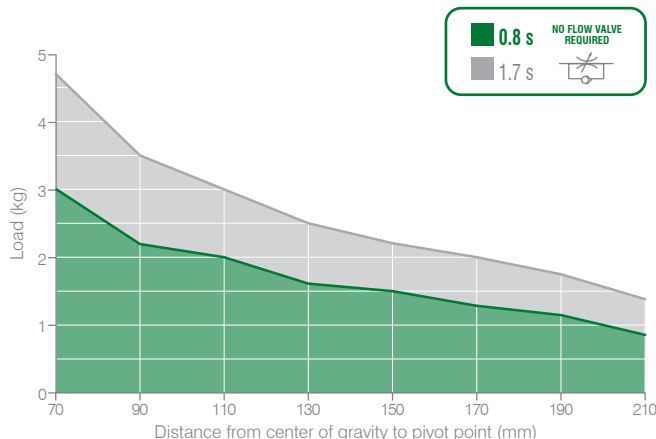
Air consumption

Air consumption for complete cycle (opening and closing)
REV. 00 - 16/06/2015



Tooling weight chart

5 bar operating pressure – 135° opening angle
REV. 00 - 16/06/2015



Clamping moment (at 5 bar / 72.5 psi)

130 N m / 95,88 lb-ft

Holding moment

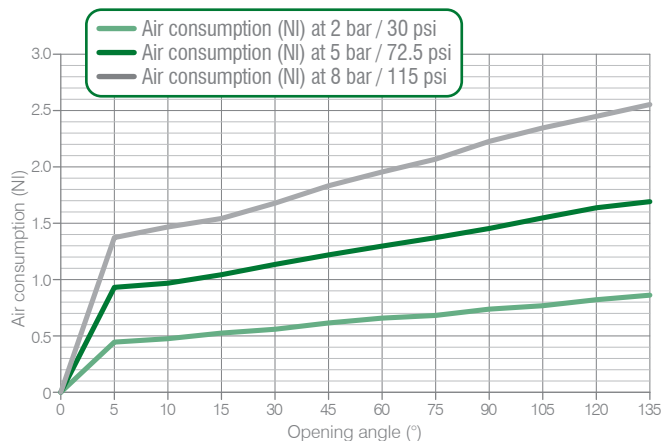
380 N m / 280,25 lb-ft

The above data are meant for correct working conditions of the clamp with the same performance level during its life time. For applications which exceed the above data, please contact our sales representatives.

Size 50 mm

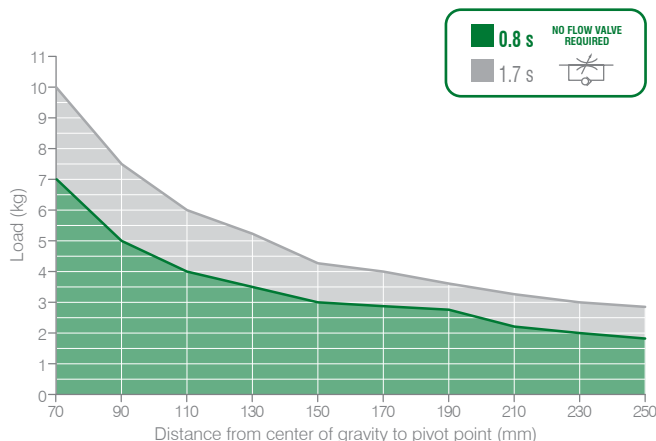
Air consumption

Air consumption for complete cycle (opening and closing)
REV. 00 - 16/06/2015



Tooling weight chart

5 bar operating pressure – 135° opening angle
REV. 00 - 16/06/2015



Clamping moment (at 5 bar / 72.5 psi)

185 N m / 136,44 lb-ft

Holding moment

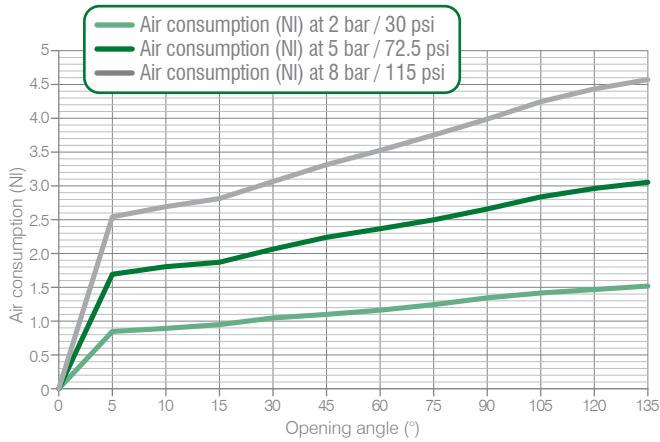
800 N m / 590,04 lb-ft

The above data are meant for correct working conditions of the clamp with the same performance level during its life time. For applications which exceed the above data, please contact our sales representatives.

Size 63 mm

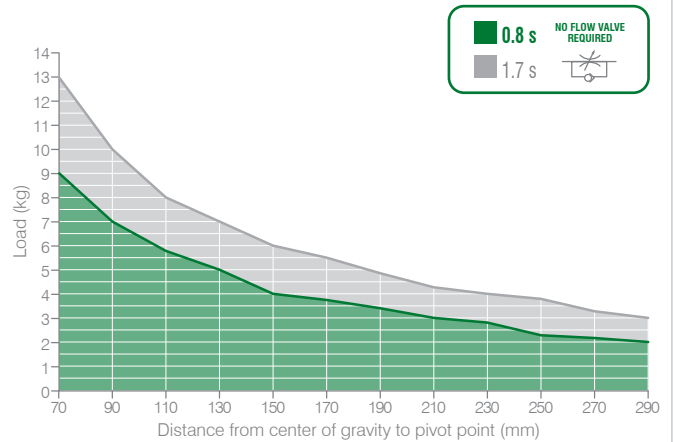
Air consumption

Air consumption for complete cycle (opening and closing)
REV. 00 - 17/06/2015



Tooling weight chart

5 bar operating pressure – 135° opening angle
REV. 00 - 17/06/2015



Clamping moment (at 5 bar / 72.5 psi)

390 N m / 287,64 lb-ft

Holding moment

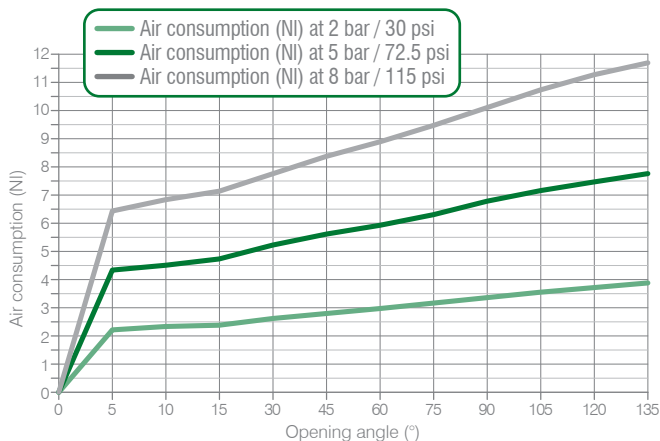
1.500 N m / 1.106,34 lb-ft

The above data are meant for correct working conditions of the clamp with the same performance level during its life time. For applications which exceed the above data, please contact our sales representatives.

Size 80 mm

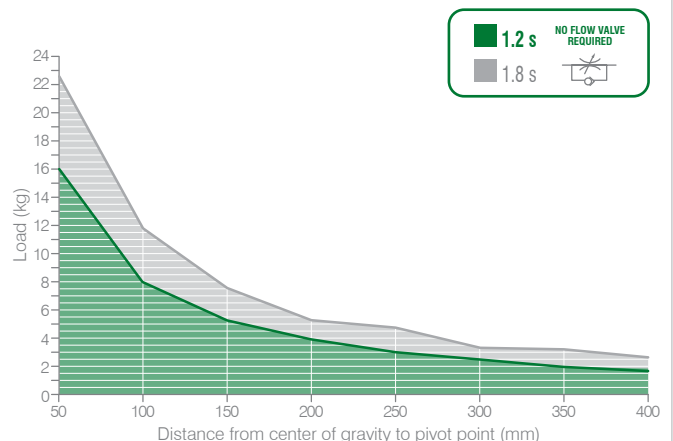
Air consumption

Air consumption for complete cycle (opening and closing)
REV. 00 - 29/05/2015



Tooling weight chart

5 bar operating pressure – 135° opening angle
REV. 00 - 29/05/2016



Clamping moment (at 5 bar / 72.5 psi)

850 N m / 626,92 lb-ft

Holding moment

2.500 N m / 1.843,90 lb-ft





The above data are meant for correct working conditions of the clamp with the same performance level during its life time. For applications which exceed the above data, please contact our sales representatives.

C1-Series / Ordering string

Nano Power Clamps





C 1 P 25 E G 1 A 01

CLAMPING

C	VERSION	C = clamp
1	MOUNTING PATTERN	1 = international mount
P	OPERATION	P = pneumatic D2 = pneumatic with manual operation (size 32 mm please see C5 Series) D0 = output shaft for manual operation - no lever and no handle included (size 32 mm please see C5 Series)
25	SIZE	25 = Ø 25 mm 32 = Ø 32 mm
E	SENSOR	E = electronic sensor with M12 swivel connector - PNP A = electronic sensor with M12 swivel connector - NPN N = no sensor B = electronic sensor with M8 swivel connector - PNP
G	PORTS	G = G thread – BSPP N = NPT (only pneumatic clamp)
1	ARM MOUNT	1 =  2 =  3 =  4 = 
A	ARM MATERIAL	A = aluminum
01	CLAMP ARM TYPE	01 = wishbone, central, 0 mm offset 13 = H, 0 mm offset 04 = wishbone, central, 10 mm offset 14 = H, 10 mm offset

C5-Series

C 5 D2 32 E 4 1 A 01





C	VERSION	C = clamp
5	MOUNTING PATTERN	5 = heavy duty style
D2	OPERATION	M2 = manual Ø 32 D2 = pneumatic with manual operation
32	SIZE	32 = size 32 mm
E	SENSOR	E = electronic sensor with M12 swivel connector - PNP A = electronic sensor with M12 swivel connector - NPN N = no sensor B = electronic sensor with M8 swivel connector - PNP
4	FIXED OPENING ANGLE	1 = 135° 2 = 120° 6 = 55° 7 = 20°
1	ARM MOUNT	1 =  2 =  3 =  4 = 
A	ARM MATERIAL	A = aluminum
01	CLAMP ARM TYPE	01 = wishbone, central, 0 mm offset 04 = wishbone, central, 10 mm offset 13 = H, 0 mm offset 14 = H, 10 mm offset



Please see the charts in the datasheets for arm position as well as for max. opening angle

C1-Series

C 1 P 40 E G 4 A 01




C	VERSION	C = clamp
1	MOUNTING PATTERN	1 = International mount
P	OPERATION	P = pneumatic D = pneumatic with manual operation D0 = output shaft for manual operation - no lever and no handle included
40	SIZE	40 = Ø 40 mm 63 = Ø 63 mm 50 = Ø 50 mm 80 = Ø 80 mm
E	SENSOR	E = electronic sensor with M12 swivel connector - PNP A = electronic sensor with M12 swivel connector - NPN N = no sensor B = electronic sensor with M8 swivel connector - PNP
G	PORTS	G = G thread – BSPP N = NPT
4	ARM MOUNT	1 =  2 =  3 =  4 = 
A	ARM MATERIAL	A = aluminum S = steel
01	CLAMP ARM TYPE	01 = wishbone, central, 15 mm offset* 04 = wishbone, central, 45 mm offset 02 = wishbone, right, 15 mm offset* 05 = wishbone, right, 45 mm offset 03 = wishbone, left, 15 mm offset* 06 = wishbone, left, 45 mm offset

* for size 80 mm = 20 mm offset

CLAMPING

C1P45-Series





C 1 P 45 E G 1 A 54

C	VERSION	C = clamp
1	MOUNTING PATTERN	1 = International mount
P	OPERATION	P = pneumatic
45	SIZE	45 = Ø 40 mm Mounting pattern interchangeable to 50 and 63 mm bore clamps
E	SENSOR	E = electronic sensor with M12 swivel connector - PNP A = electronic sensor with M12 swivel connector - NPN N = no sensor B = electronic sensor with M8 swivel connector - PNP
G	PORTS	G = G thread – BSPP
1	ARM MOUNT	1 =  2 =  4 = 
A	ARM MATERIAL	A = aluminum
54	CLAMP ARM TYPE	54 = wishbone, central, 45 mm offset 55 = wishbone, right, 45 mm offset 56 = wishbone, left, 45 mm offset

C1M-Series

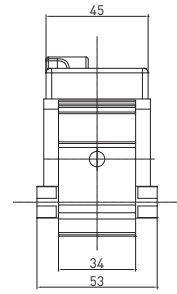
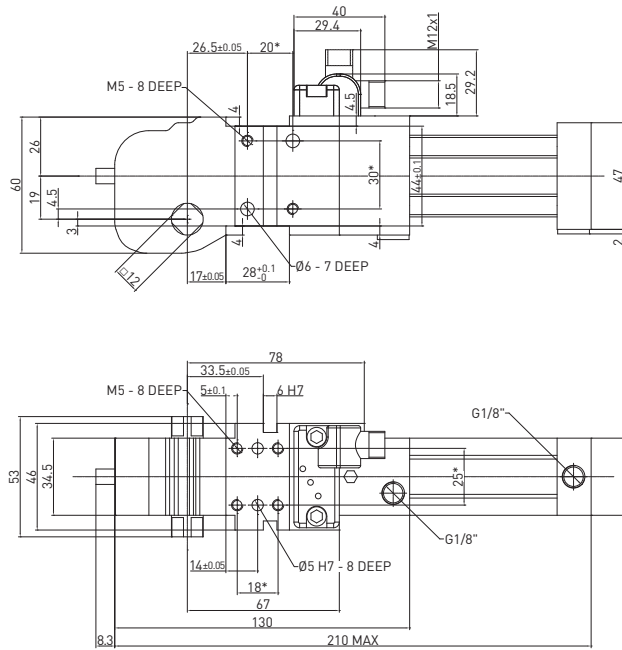
C 1 M2 50 E 4 1 A 1

CLAMPING

C	VERSION	C = clamp
1	MOUNTING PATTERN	1 = international mount
M2	OPERATION	M1 = manual with straight handle M2 = manual with "D2" handle
50	SIZE	50 = size 50 mm 63 = size 63 mm
E	SENSOR	E = electronic sensor with M12 swivel connector - PNP A = electronic sensor with M12 swivel connector - NPN N = no sensor B = electronic sensor with M8 swivel connector - PNP
4	FIXED OPENING ANGLE	1 = 135° 2 = 120° 3 = 90° 4 = 60° 5 = 45° 6 = 55° 7 = 20°
1	ARM MOUNT	1 =  2 =  3 =  4 = 
A	ARM MATERIAL	A = aluminum
1	CLAMP ARM TYPE	01 = wishbone, central, 15 mm offset 04 = wishbone, central, 45 mm offset For the other arm types, see ordering string of C1 series

C1P25E / Nano Power clamp - International mount - 25 mm bore

WEIGHT 0.75 kg



* DIMENSIONAL TOLERANCE
FOR DOWEL HOLES: ± 0.02

DIMENSIONAL TOLERANCE
FOR THREADED HOLES: ± 0.1

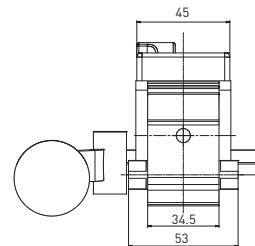
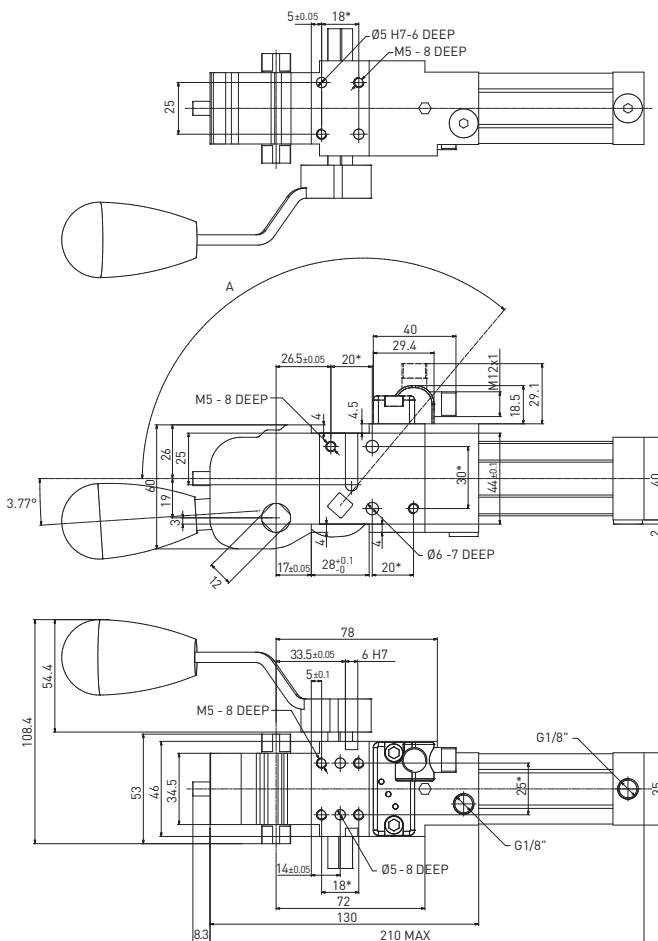
REV. 01 - 30/03/2021

CLAMPING

C1D225E / Nano Power clamp - International mount - 25 mm bore with manual operation

WEIGHT 0.987 kg

D2 handle included



Handle swivel angle

Arm opening angle	Handle swivel angle A
0°	-3,77°
15°	19°
30°	35°
45°	53°
60°	74°
75°	94°
90°	109,5°
105°	120°
120°	126°
135°	130°

Max Hand Force: 200 N

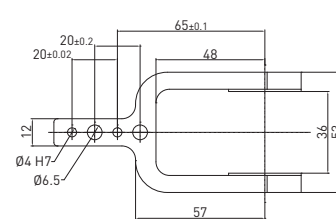
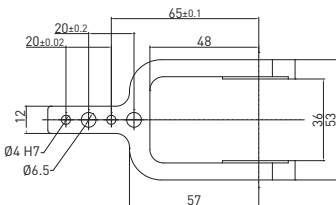
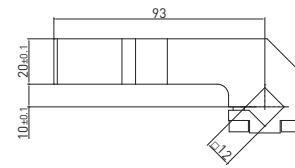
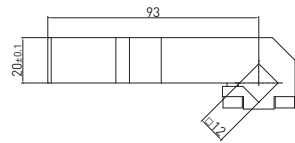
* DIMENSIONAL TOLERANCE
FOR DOWEL HOLES: ± 0.02

DIMENSIONAL TOLERANCE
FOR THREADED HOLES: ± 0.1

REV. 03 - 27/10/2021

Clamping arms / 12 mm shaft for clamps' size 25 mm

REV. 02 - 07/10/2015



12 mm shaft – 0 mm offset

Part no.	Material	Version	Weight (kg)	Max op. angle pos. 1	Max op. angle pos. 2	Max op. angle pos. 3	Max op. angle pos. 4
B12012	Aluminum	Central	0.127	135°	105°	135°	90°

Screws: M5x14 Tightening torque: 5 N m / 3.68 lb ft

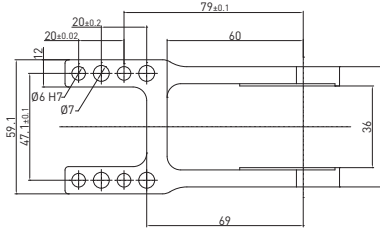
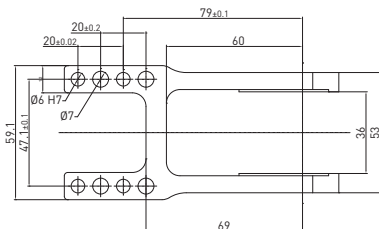
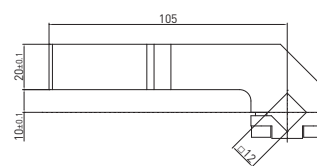
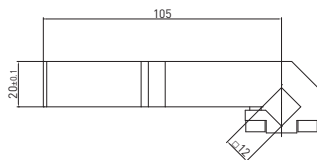
12 mm shaft – 10 mm offset

Part no.	Material	Version	Weight (kg)	Max op. angle pos. 1	Max op. angle pos. 2	Max op. angle pos. 3	Max op. angle pos. 4
B12042	Aluminum	Central	0.135	135°	120°	N/A	45°

Screws: M5x14 Tightening torque: 5 N m / 3.68 lb ft

Clamping arms / 12 mm shaft for clamps' size 25 mm and size 32 mm mm - Left & right clamping surfaces

REV. 00 - 12/04/2017



12 mm shaft – 0 mm offset

Part no.	Material	Version	Weight (kg)	Max op. angle pos. 1	Max op. angle pos. 2	Max op. angle pos. 3	Max op. angle pos. 4
B1213	Aluminum	H	0.163	135°	115°	N/A	45°

Screws: M5x14 Tightening torque: 5 N m / 3.68 lb ft

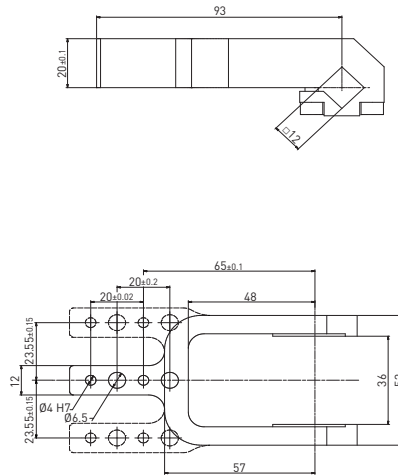
12 mm shaft – 10 mm offset

Part no.	Material	Version	Weight (kg)	Max op. angle pos. 1	Max op. angle pos. 2	Max op. angle pos. 3	Max op. angle pos. 4
B1214	Aluminum	H	0.173	135°	115°	N/A	45°

Screws: M5x14 Tightening torque: 5 N m / 3.68 lb ft

Clamping arms / 12 mm shaft for clamps' size 25 mm

REV. 00 - 11/02/2022



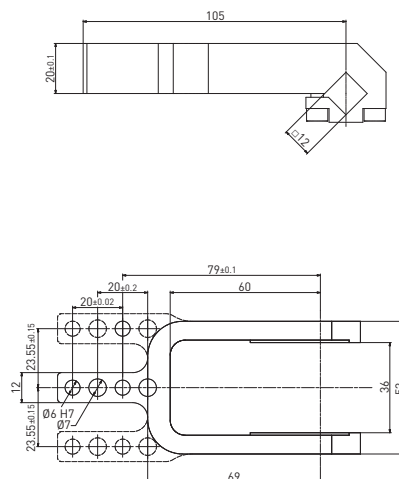
12 mm shaft – 0 mm offset

Part no.	Material	Version	Weight (kg)	Max op. angle pos. 1	Max op. angle pos. 2	Max op. angle pos. 3	Max op. angle pos. 4
B12022	Aluminum	Right	0.127	135°	105°	135°	90°
B12032	Aluminum	Left	0.127	135°	105°	135°	90°

Screws: M5x14 Tightening torque: 5 N m / 3.68 lb ft

Clamping arms / 12 mm shaft for clamps' size 32 mm

REV. 00 - 11/02/2022



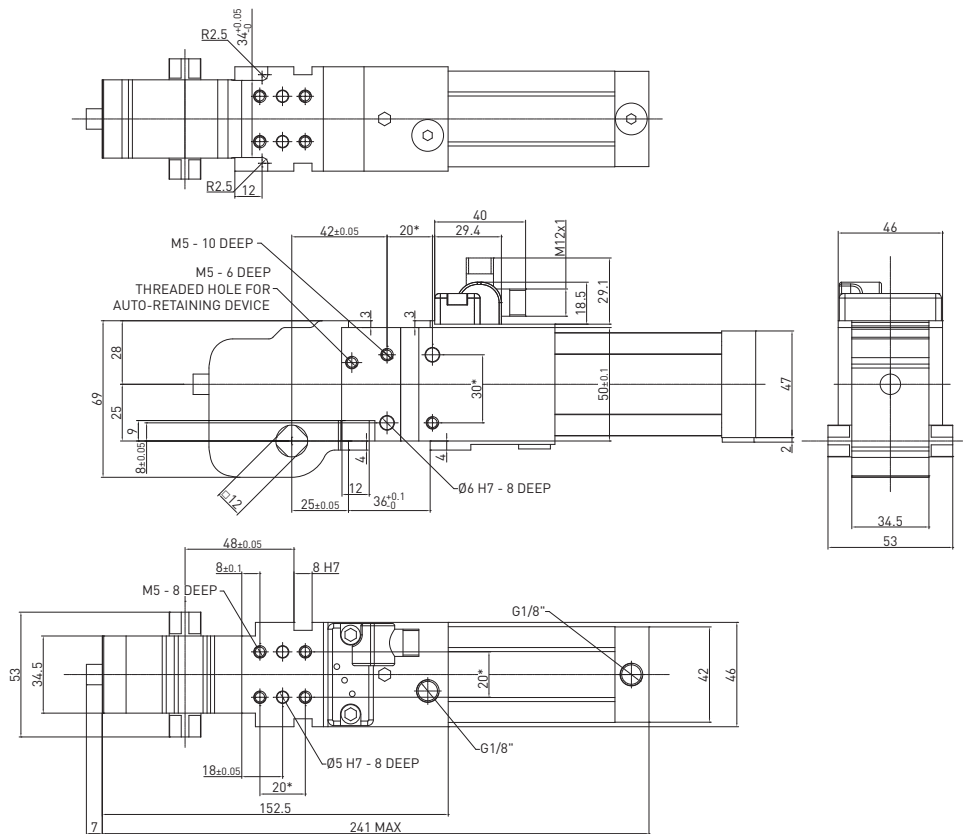
12 mm shaft – 0 mm offset

Part no.	Material	Version	Weight (kg)	Max op. angle pos. 1	Max op. angle pos. 2	Max op. angle pos. 3	Max op. angle pos. 4
B12023	Aluminum	Right	0.135	135°	112°	135°	90°
B12033	Aluminum	Left	0.135	135°	112°	135°	90°

Screws: M5x14 Tightening torque: 5 N m / 3.68 lb ft

C1P32E / Nano Power clamp - International mount - 32 mm bore

WEIGHT 0.987 kg

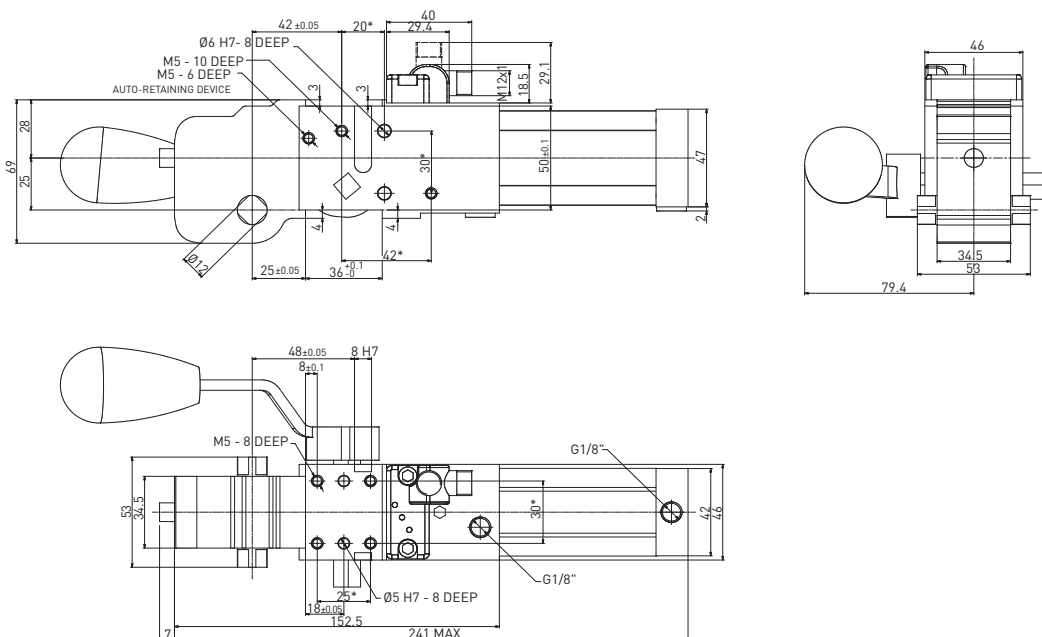


* DIMENSIONAL TOLERANCE FOR DOWEL HOLES: ±0.02
DIMENSIONAL TOLERANCE FOR THREADED HOLES: ±0.1

REV. 02 - 13/09/2017

C5D232E / Nano Power clamp - heavy duty style - International mount - 32 mm bore with manual operation

WEIGHT 1.36 kg
D2 handle included



Handle swivel angle

Arm opening angle	Handle swivel angle A
0°	3.5°
15°	28.5°
30°	45°
45°	68°
60°	90.5°
75°	115.5°
90°	130°
105°	139°
120°	144°
135°	147°

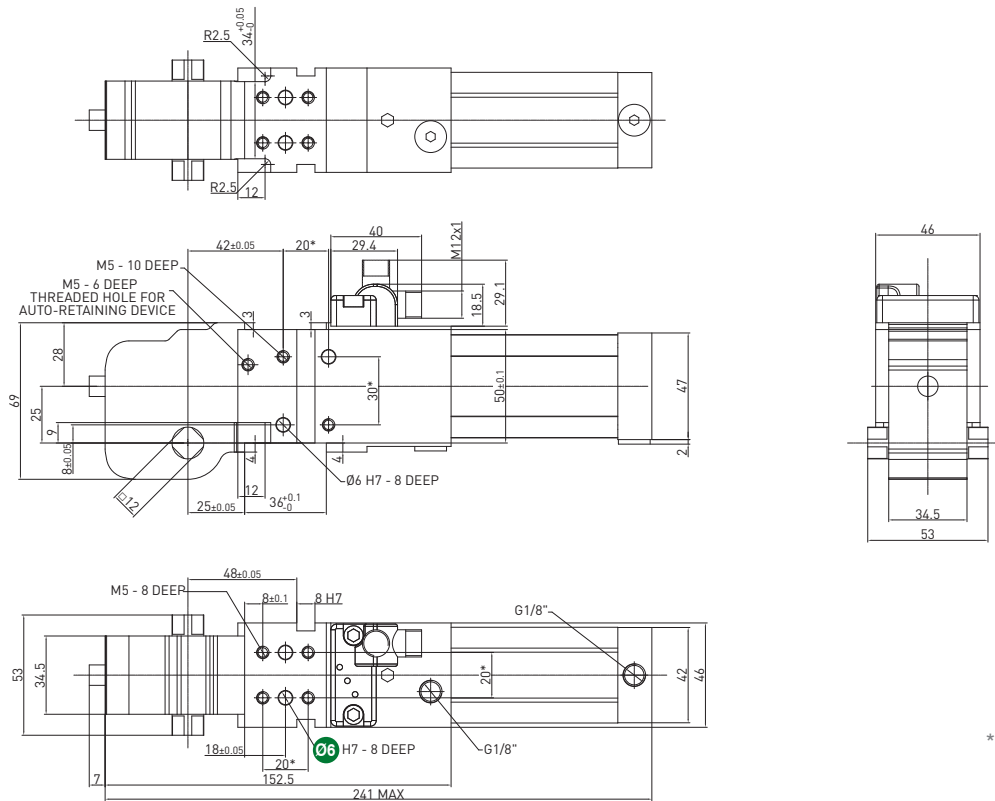
Max Hand Force: 200 N

* DIMENSIONAL TOLERANCE FOR DOWEL HOLES: ±0.02
DIMENSIONAL TOLERANCE FOR THREADED HOLES: ±0.1

REV. 00 - 06/10/2020

C1P32E__A / Nano Power clamp - International mount - 32 mm bore

WEIGHT 0.98 kg

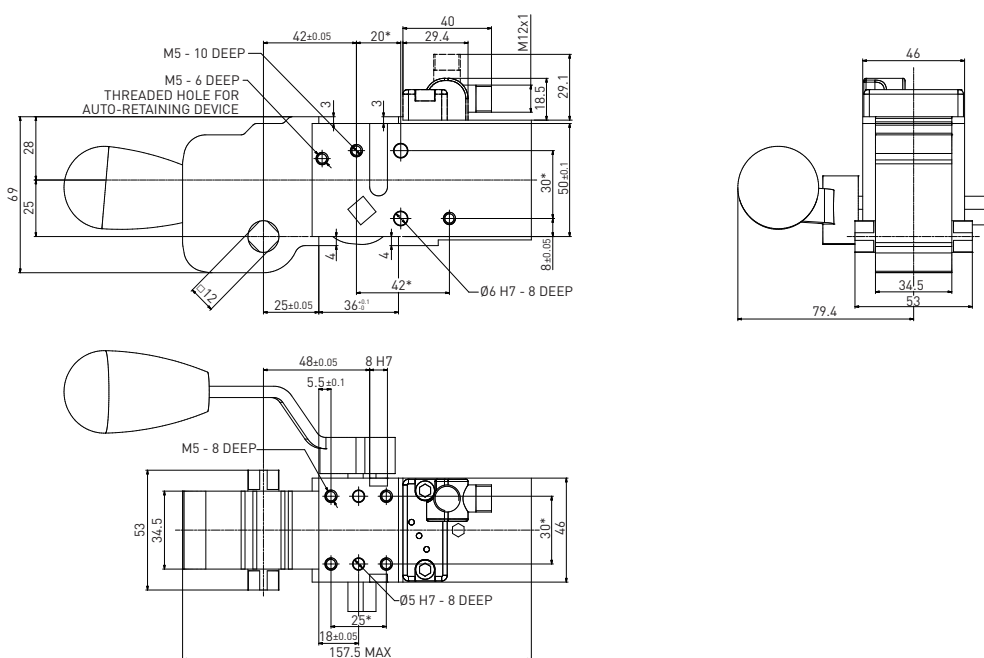


* DIMENSIONAL TOLERANCE
FOR DOWEL HOLES: ±0.02
DIMENSIONAL TOLERANCE
FOR THREADED HOLES: ±0.1

REV. 00 - 28/08/2017

C5M232E / Nano Power clamp - International mount - 32 mm bore

WEIGHT 1 kg
D2 handle included



Handle swivel angle

Arm opening angle	Handle swivel angle A
0°	3.5°
15°	28.5°
30°	45°
45°	68°
60°	90.5°
75°	115.5°
90°	130°
105°	139°
120°	144°
135°	147°

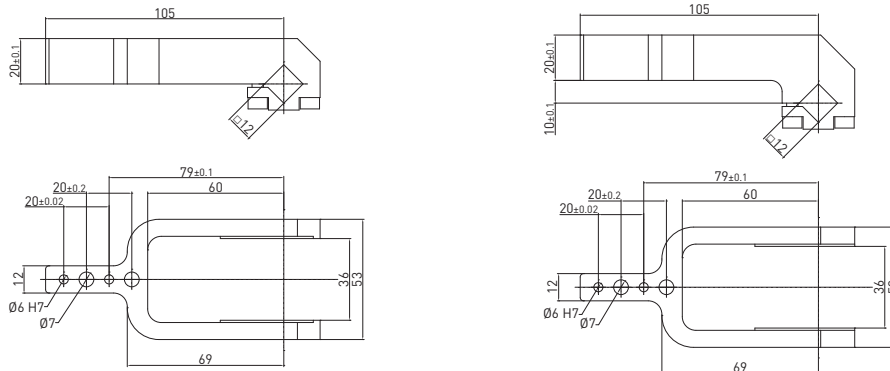
Max Hand Force: 200 N

* DIMENSIONAL TOLERANCE
FOR DOWEL HOLES: ±0.02
DIMENSIONAL TOLERANCE
FOR THREADED HOLES: ±0.1

REV. 00 - 06/10/2020

Clamping arms / 12 mm shaft for clamps' size 32 mm

REV. 00 - 07/10/2015



12 mm shaft – 0 mm offset

Part no.	Material	Version	Weight (kg)	Max op. angle pos. 1	Max op. angle pos. 2	Max op. angle pos. 3	Max op. angle pos. 4
B12013	Aluminum	Central	0.135	135°	112°	135°	90°

Screws: M5x14 Tightening torque: 5 N m / 3.68 lb ft

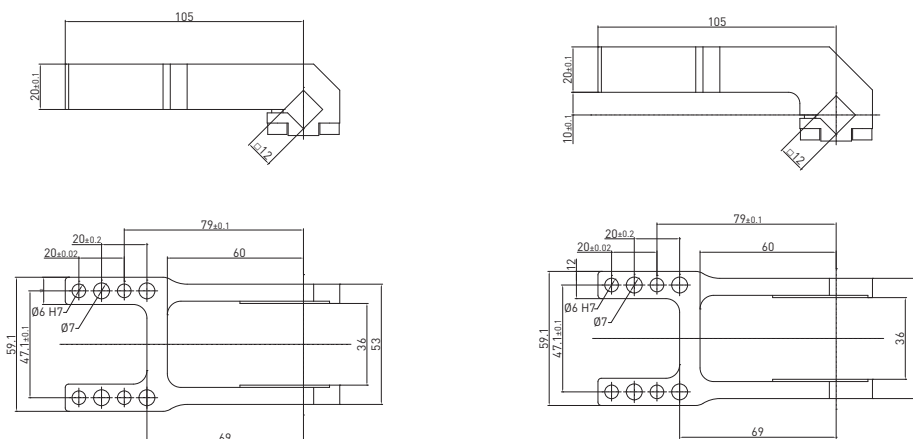
12 mm shaft – 10 mm offset

Part no.	Material	Version	Weight (kg)	Max op. angle pos. 1	Max op. angle pos. 2	Max op. angle pos. 3	Max op. angle pos. 4
B12043	Aluminum	Central	0.144	135°	123°	N/A	45°

Screws: M5x14 Tightening torque: 5 N m / 3.68 lb ft

Clamping arms / 12 mm shaft for clamps' size 25 mm and size 32 mm mm - Left & right clamping surfaces

REV. 00 - 12/04/2017



12 mm shaft – 0 mm offset

Part no.	Material	Version	Weight (kg)	Max op. angle pos. 1	Max op. angle pos. 2	Max op. angle pos. 3	Max op. angle pos. 4
B1213	Aluminum	H	0.163	135°	115°	N/A	45°

Screws: M5x14 Tightening torque: 5 N m / 3.68 lb ft

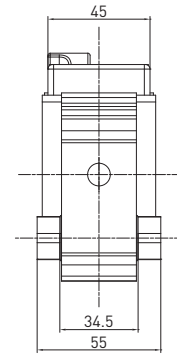
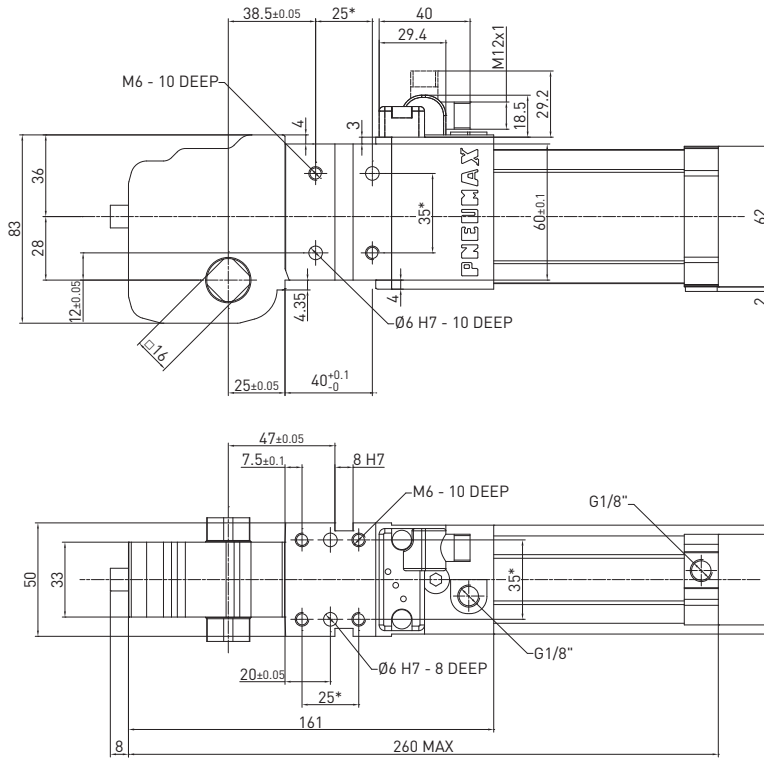
12 mm shaft – 10 mm offset

Part no.	Material	Version	Weight (kg)	Max op. angle pos. 1	Max op. angle pos. 2	Max op. angle pos. 3	Max op. angle pos. 4
B1214	Aluminum	H	0.173	135°	115°	N/A	45°

Screws: M5x14 Tightening torque: 5 N m / 3.68 lb ft

C1P40E / Power clamp - International mount - 40 mm bore

WEIGHT 1.45 kg

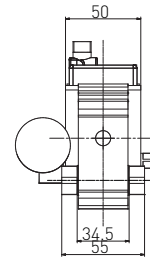
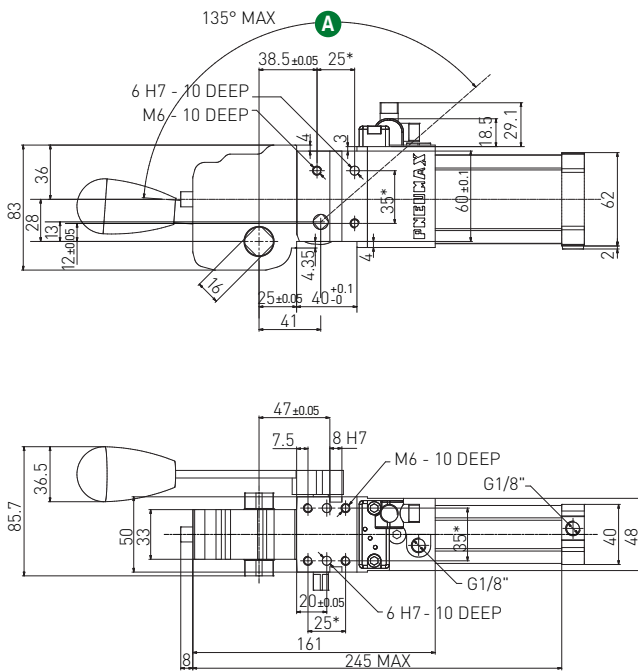


* DIMENSIONAL TOLERANCE
FOR DOWEL HOLES: ±0.02
DIMENSIONAL TOLERANCE
FOR THREADED HOLES: ±0.1

REV. 00 - 31/03/2015

C1D_40E / Power clamp - International mount - 40 mm bore with manual operation

WEIGHT 1.75 kg
D2 handle included



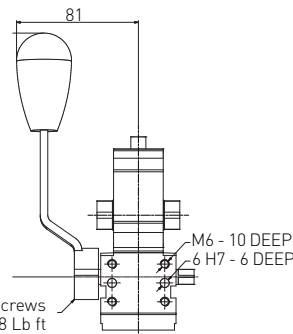
Handle swivel angle

Arm opening angle	(A) Handle swivel angle
0°	4.12°
15°	22.65°
30°	38.2°
45°	58.4°
60°	83.6°
75°	107.6°
90°	123.6°
105°	132.75°
120°	137.7°
135°	140°

Max Hand Force: 200 N

D1 version

M5x16 screws
Tightening torque: 5 Nm / 3.68 Lb ft



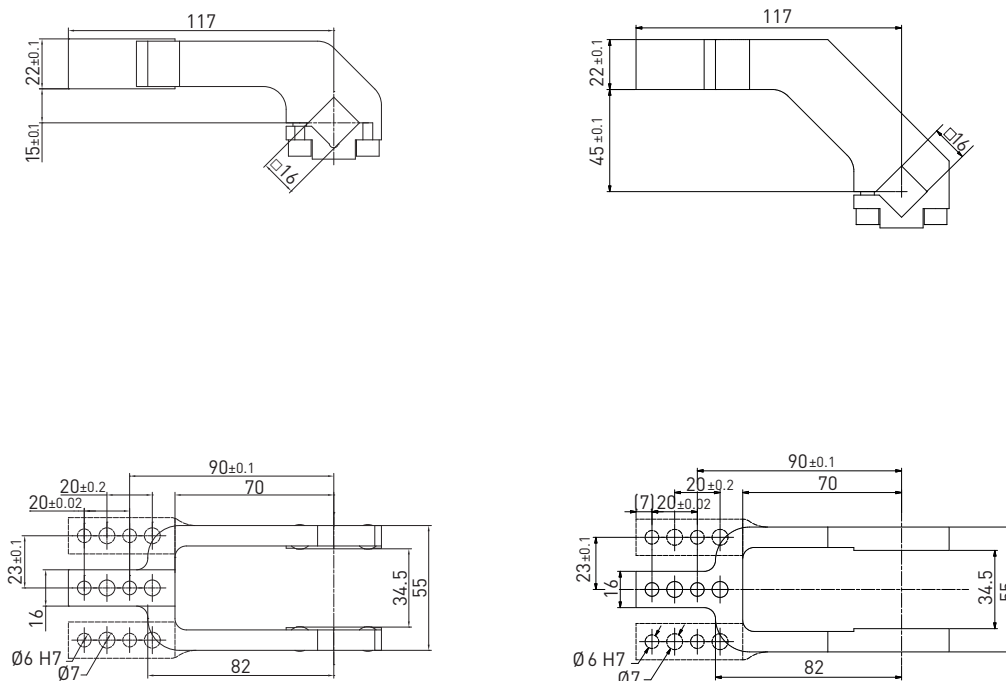
D2 version

* DIMENSIONAL TOLERANCE
FOR DOWEL HOLES: ±0.02
DIMENSIONAL TOLERANCE
FOR THREADED HOLES: ±0.1

REV. 01 - 03/05/2022

Clamping arms / 16 mm shaft

REV. 00 - 31/03/2015

CLAMPING

16 mm shaft – 15 mm offset

Part no.	Material	Version	Weight (kg)	Max op. angle pos. 1	Max op. angle pos. 2	Max op. angle pos. 3	Max op. angle pos. 4
B1601	Aluminum	Central	0.24	135°	125°	N/A	45°
Q1601	Steel	Central	0.44	135°	125°	N/A	45°
B1602	Aluminum	Right	0.24	135°	125°	N/A	45°
Q1602	Steel	Right	0.46	135°	125°	N/A	45°
B1603	Aluminum	Left	0.24	135°	125°	N/A	45°
Q1603	Steel	Left	0.46	135°	125°	N/A	45°

Screws: M6x20 Tightening torque: 10 N m / 7.37 lb ft

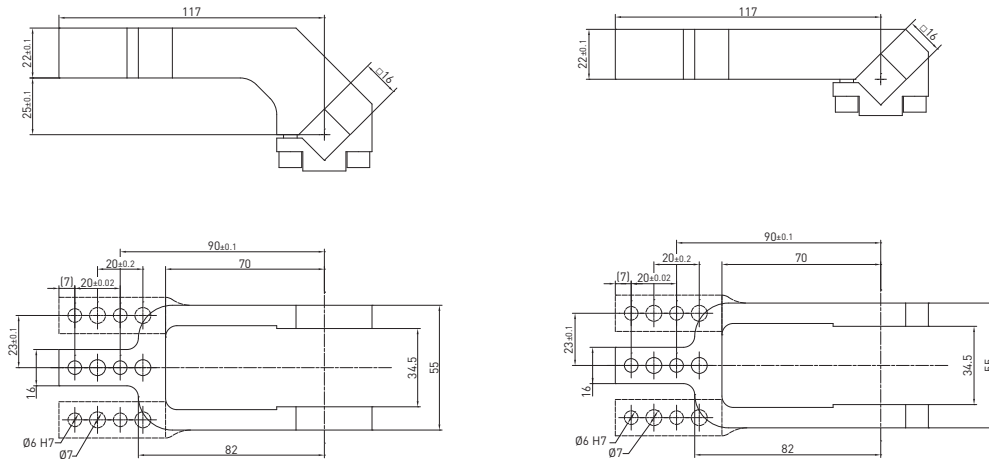
16 mm shaft – 45 mm offset

Part no.	Material	Version	Weight (kg)	Max op. angle pos. 1	Max op. angle pos. 2	Max op. angle pos. 3	Max op. angle pos. 4
B1604	Aluminum	Central	0.3	135°	135°	N/A	45°
Q1604	Steel	Central	0.55	135°	135°	N/A	45°
B1605	Aluminum	Right	0.3	135°	135°	N/A	45°
Q1605	Steel	Right	0.57	135°	135°	N/A	45°
B1606	Aluminum	Left	0.3	135°	135°	N/A	45°
Q1606	Steel	Left	0.57	135°	135°	N/A	45°

Screws: M6x20 Tightening torque: 10 N m / 7.37 lb ft

Clamping arms / 16 mm shaft

REV. 00 - 12/05/2017



16 mm shaft – 25 mm offset

Part no.	Material	Version	Weight (kg)	Max op. angle pos. 1	Max op. angle pos. 2	Max op. angle pos. 3	Max op. angle pos. 4
B1621	Aluminum	Central	0.25	135°	135°	N/A	45°
B1622	Aluminum	Right	0.25	135°	135°	N/A	45°
B1623	Aluminum	Left	0.25	135°	135°	N/A	45°

Screws: M6x20 Tightening torque: 10 N m / 7.37 lb ft

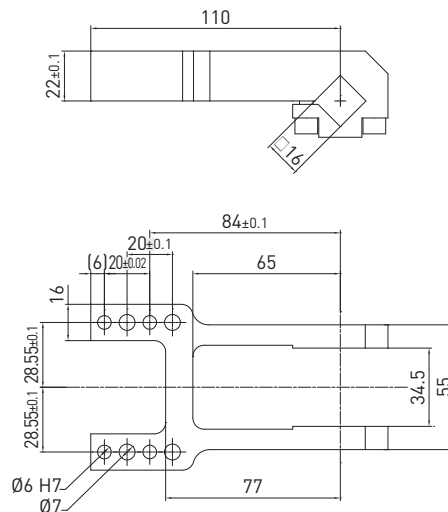
16 mm shaft – 0 mm offset

Part no.	Material	Version	Weight (kg)	Max op. angle pos. 1	Max op. angle pos. 2	Max op. angle pos. 3	Max op. angle pos. 4
B1618	Aluminum	Central	0.25	135°	105°	135°	90°
B1619	Aluminum	Right	0.25	135°	105°	135°	90°
B1620	Aluminum	Left	0.25	135°	105°	135°	90°

Screws: M6x20 Tightening torque: 10 N m / 7.37 lb ft

Clamping arms / 16 mm shaft - Left & right clamping surfaces

REV. 00 - 07/11/2019



16 mm shaft – 0 mm offset

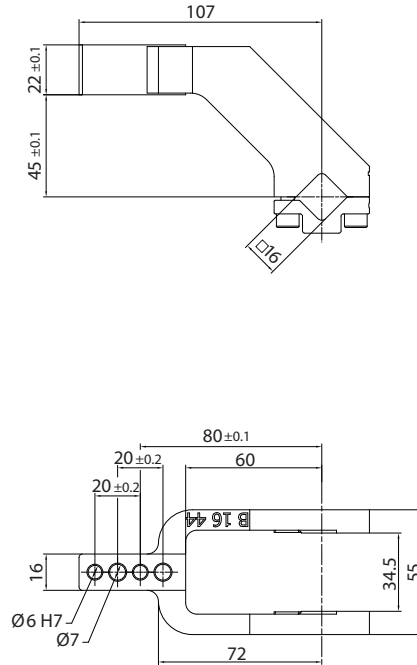
Part no.	Material	Version	Weight (kg)	Max op. angle pos. 1	Max op. angle pos. 2	Max op. angle pos. 3	Max op. angle pos. 4
B1613	Aluminum	H	0.27	125°	45°	135°	35° MAX

Screws: M6x20 Tightening torque: 10 N m / 7.37 lb ft

Clamping arms / 16 mm shaft

REV. 00 - 31/03/2015

CLAMPING



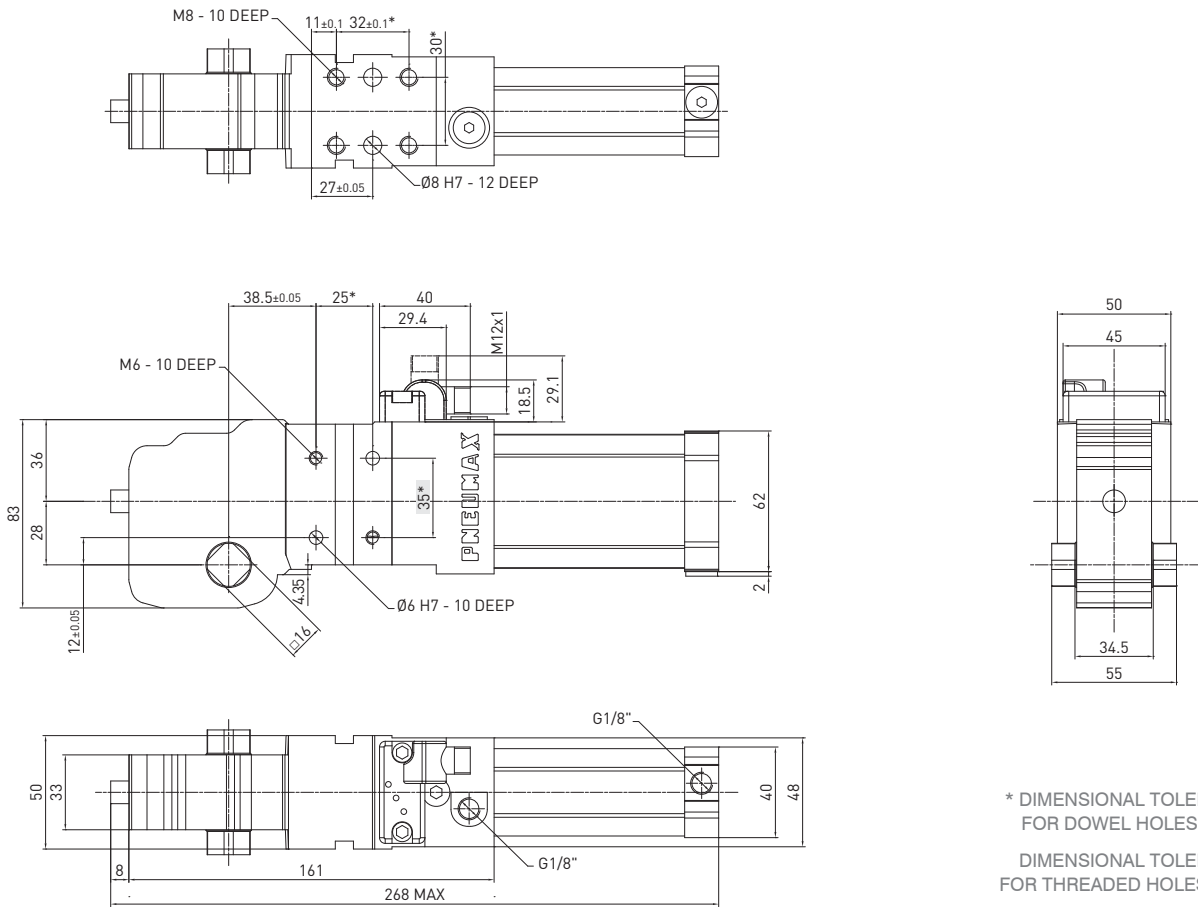
16 mm shaft – 45 mm offset

Part no.	Material	Version	Weight (kg)	Max op. angle pos. 1	Max op. angle pos. 2	Max op. angle pos. 3	Max op. angle pos. 4
B1644	Aluminum	Central	0.18	135°	135°	N/A	45°

Screws: M6x20 Tightening torque: 10 N m / 7.37 lb ft

C1P45EG / Power clamp - 40 mm bore cylinder and mounting pattern interchangeable to 50 and 63 mm bore clamps

WEIGHT 1.45 kg

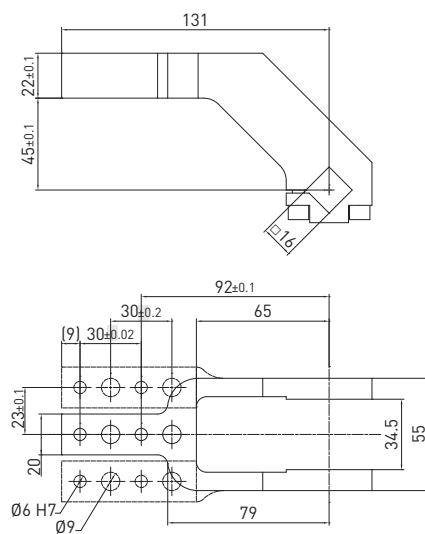


* DIMENSIONAL TOLERANCE FOR DOWEL HOLES: ±0.02
DIMENSIONAL TOLERANCE FOR THREADED HOLES: ±0.1

REV. 00 - 23/04/2019

Clamping arms / 16 mm shaft

REV. 00 - 23/04/2019



16 mm shaft – 45 mm offset

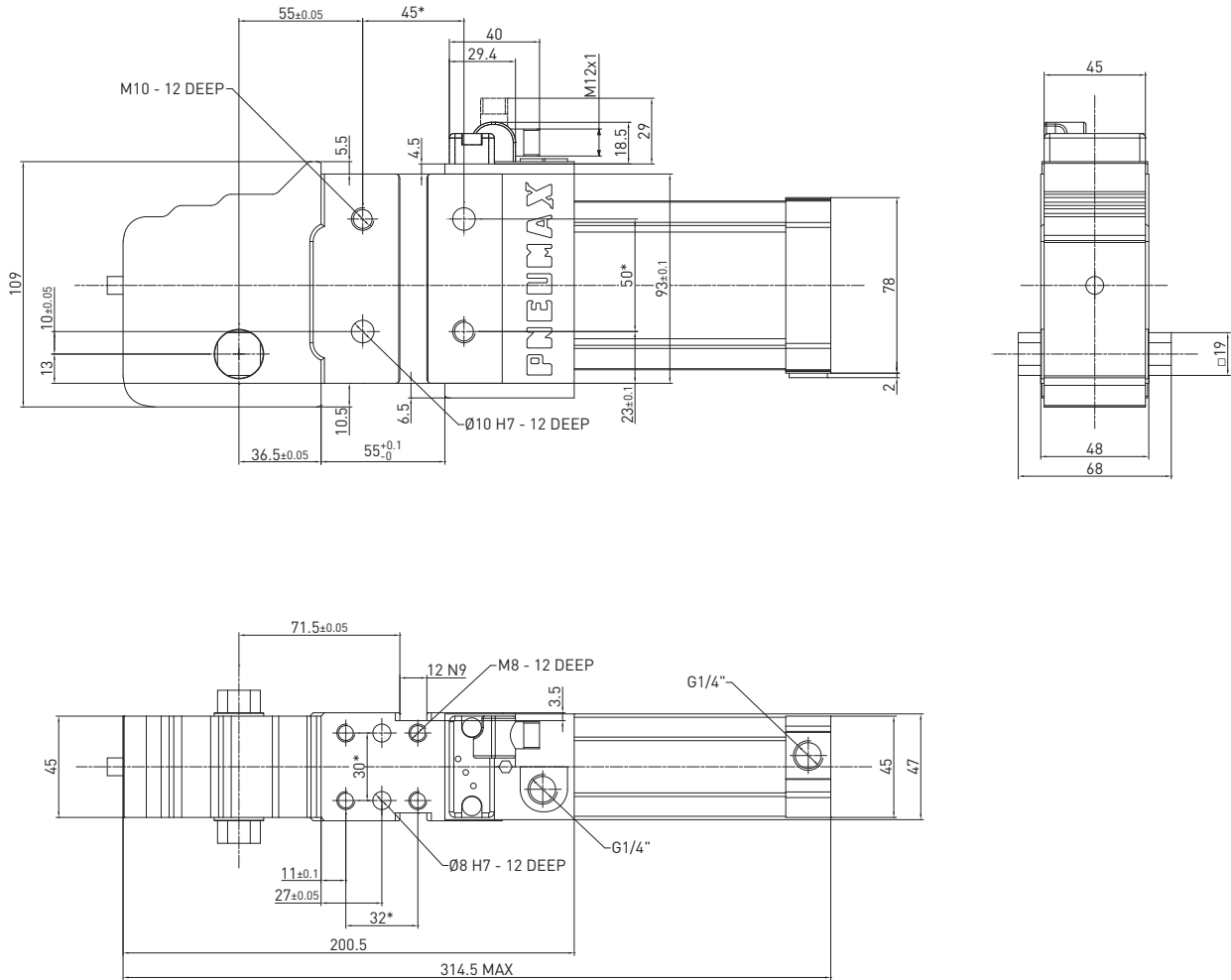
Part no.	Material	Version	Weight (kg)	Max op. angle pos. 1	Max op. angle pos. 2	Max op. angle pos. 3	Max op. angle pos. 4
B1654	Aluminum	Central	0.3	135°	135°	N/A	45°
B1655	Aluminum	Right	0.3	135°	135°	N/A	45°
B1656	Aluminum	Left	0.3	135°	135°	N/A	45°

Screws: M6x20 Tightening torque: 10 N m / 7.37 lb ft

C1P50E / Power clamp - International mount - 50 mm bore

WEIGHT 2.7 kg

CLAMPING

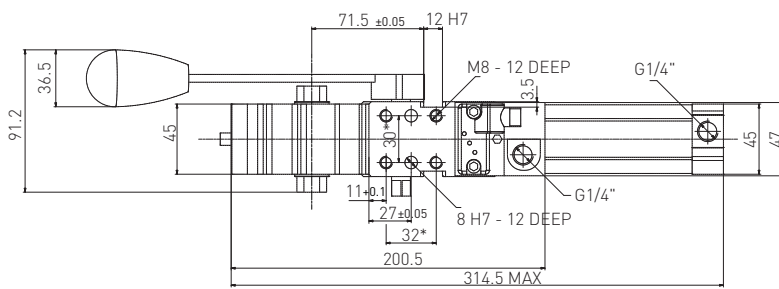
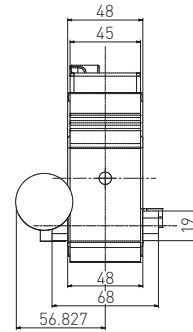
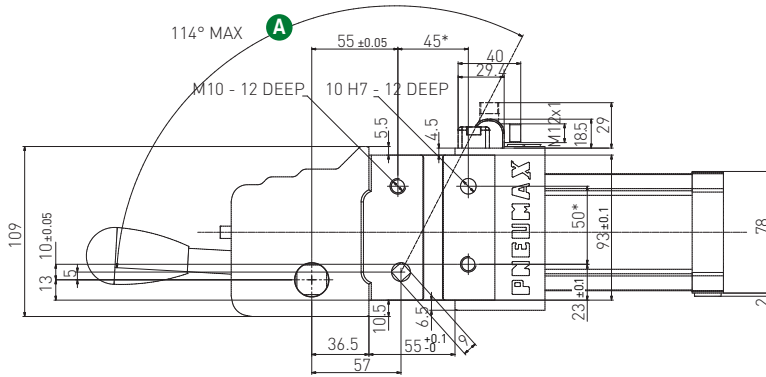


* DIMENSIONAL TOLERANCE
FOR DOWEL HOLES: ±0.02
DIMENSIONAL TOLERANCE
FOR THREADED HOLES: ±0.1

REV. 00 - 31/03/2015

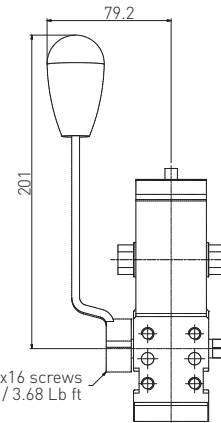
C1D_50E / Power clamp - International mount - 50 mm bore with manual operation

WEIGHT 3.1 kg
D2 handle included



D1 version

M5x16 screws
Tightening torque: 5 Nm / 3.68 Lb ft



D2 version

Handle swivel angle

Arm opening angle	Handle swivel angle A
0°	3.25°
15°	27°
30°	43°
45°	59.3°
60°	75.4°
75°	89.75°
90°	101°
105°	109°
120°	114.25°
135°	117.2°

Max Hand Force: 200 N

* DIMENSIONAL TOLERANCE
FOR DOWEL HOLES: ±0.02

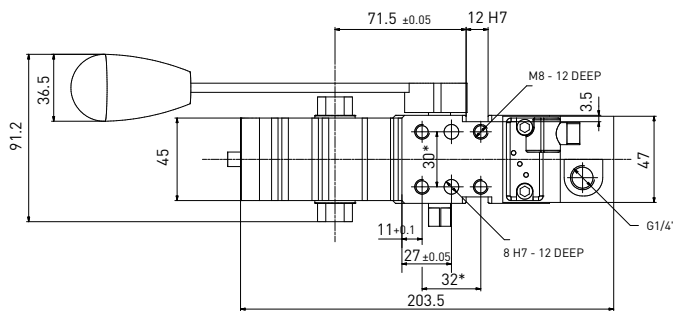
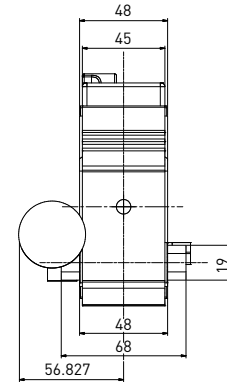
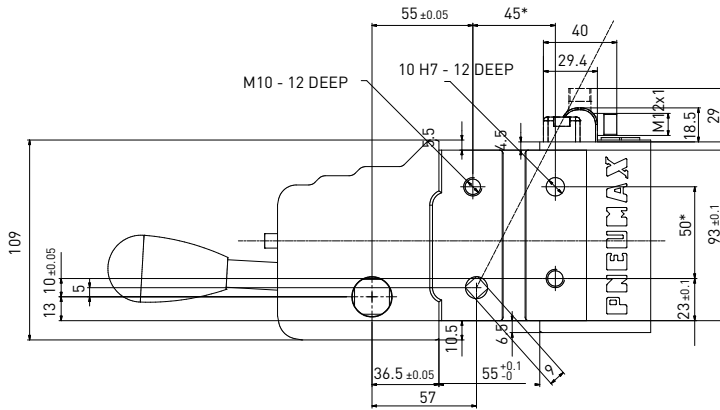
DIMENSIONAL TOLERANCE
FOR THREADED HOLES: ±0.1

REV. 00 - 29/08/2017

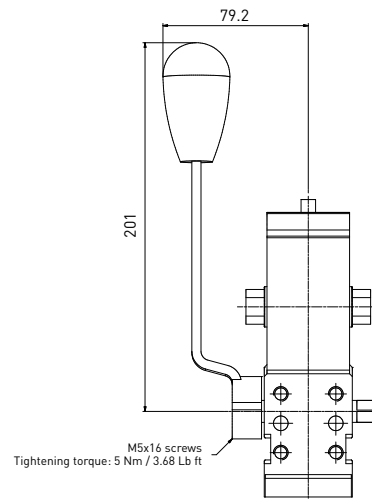
C1M_50E / Manual power clamp - International mount

WEIGHT 2.9 kg
D2 handle included

CLAMPING



D1 version



D2 version

Handle swivel angle

Arm opening angle	Handle swivel angle A
0°	3.25°
15°	27°
30°	43°
45°	59.3°
60°	75.4°
75°	89.75°
90°	101°
105°	109°
120°	114.25°
135°	117.2°

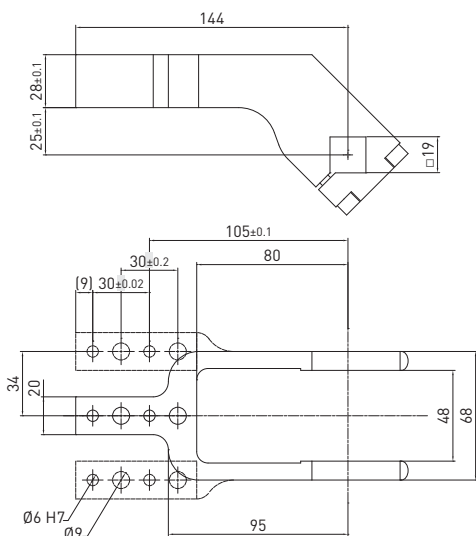
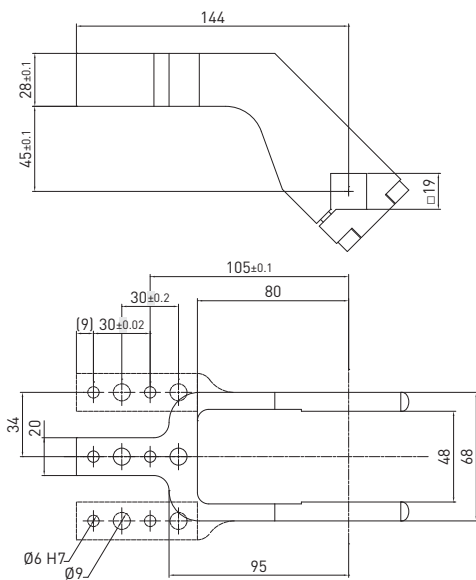
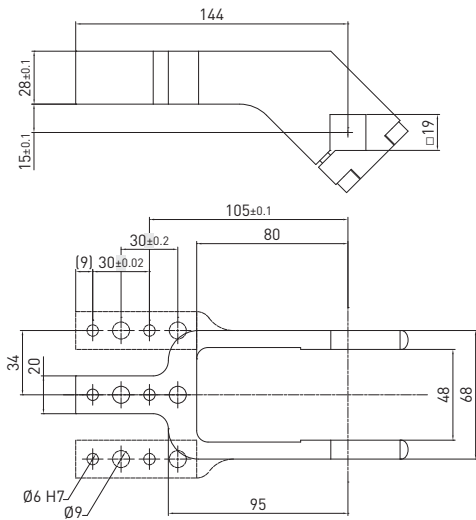
Max Hand Force: 200 N

* DIMENSIONAL TOLERANCE
FOR DOWEL HOLES: ±0.02
DIMENSIONAL TOLERANCE
FOR THREADED HOLES: ±0.1

REV. 00 - 29/08/2017

Clamping arms / 19 mm shaft

REV. 01 - 08/02/2019

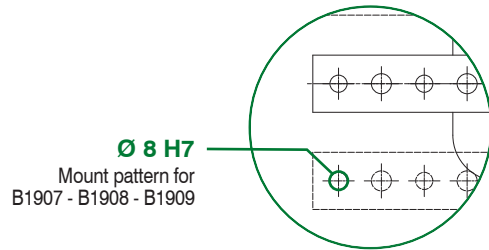


19 mm shaft – 15 mm offset



Part no.	Material	Version	Weight (kg)	Max op. angle pos. 1	Max op. angle pos. 2	Max op. angle pos. 3	Max op. angle pos. 4
B1901	Aluminum	Central	0.41	135°	115°	135°	80°
Q1901	Steel	Central	0.71	135°	115°	135°	80°
B1902	Aluminum	Right	0.43	135°	115°	135°	80°
Q1902	Steel	Right	0.79	135°	115°	135°	80°
B1903	Aluminum	Left	0.43	135°	115°	135°	80°
Q1903	Steel	Left	0.79	135°	115°	135°	80°
B1907	Aluminum	Central	0.41	135°	115°	135°	80°
B1908	Aluminum	Right	0.43	135°	115°	135°	80°
B1909	Aluminum	Left	0.43	135°	115°	135°	80°

Screws: M6x25 Tightening torque: 10 N m / 7.37 lb ft



19 mm shaft – 45 mm offset



Part no.	Material	Version	Weight (kg)	Max op. angle pos. 1	Max op. angle pos. 2	Max op. angle pos. 3	Max op. angle pos. 4
B1904	Aluminum	Central	0.45	135°	135°	135°	80°
Q1904	Steel	Central	0.77	135°	135°	135°	80°
B1905	Aluminum	Right	0.46	135°	135°	135°	80°
Q1905	Steel	Right	0.81	135°	135°	135°	80°
B1906	Aluminum	Left	0.46	135°	135°	135°	80°
Q1906	Steel	Left	0.81	135°	135°	135°	80°

Screws: M6x25 Tightening torque: 10 N m / 7.37 lb ft

19 mm shaft – 25 mm offset



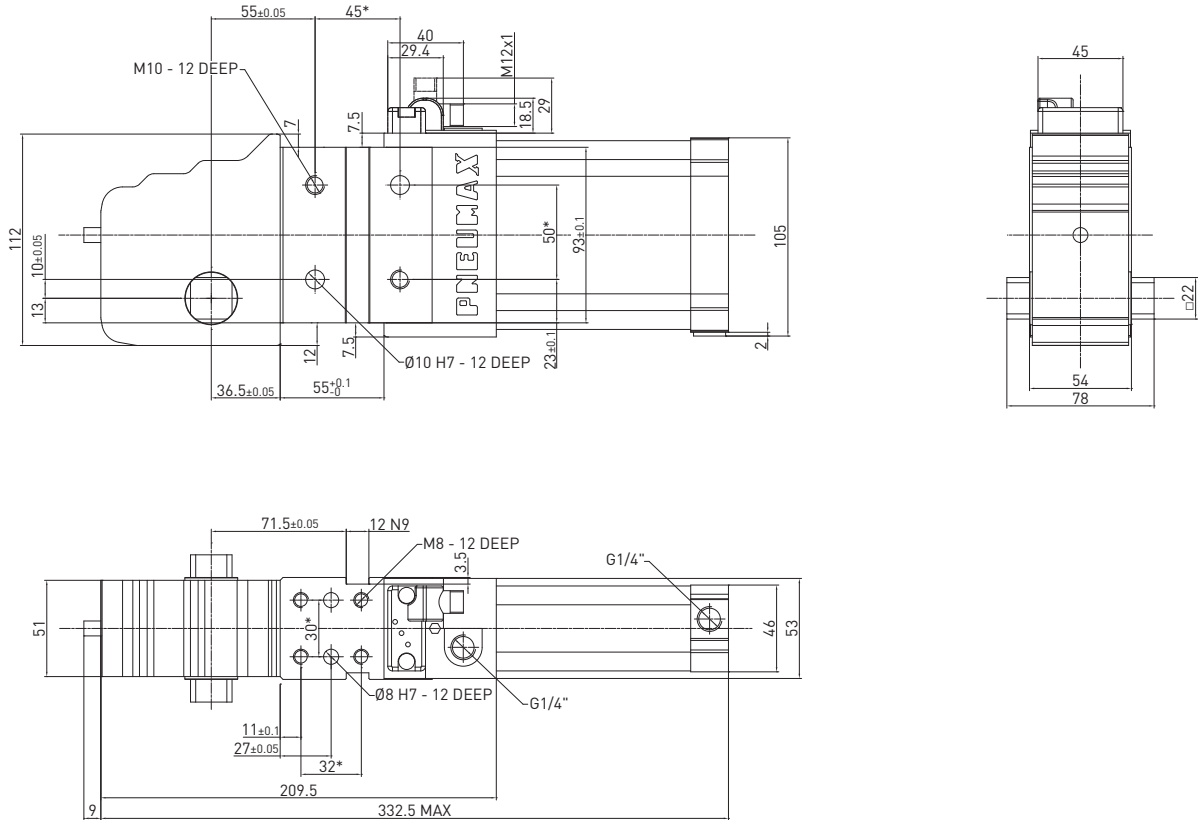
Part no.	Material	Version	Weight (kg)	Max op. angle pos. 1	Max op. angle pos. 2	Max op. angle pos. 3	Max op. angle pos. 4
B1921	Aluminum	Central	0.43	135°	115°	135°	80°
B1922	Aluminum	Right	0.44	135°	115°	135°	80°
B1923	Aluminum	Left	0.44	135°	115°	135°	80°

Screws: M6x25 Tightening torque: 10 N m / 7.37 lb ft

C1P63E / Power clamp - International mount - 63 mm bore

WEIGHT 3.5 kg

CLAMPING

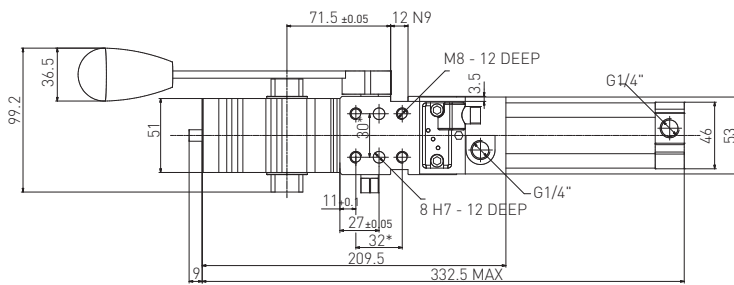
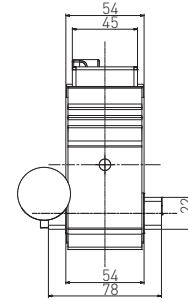
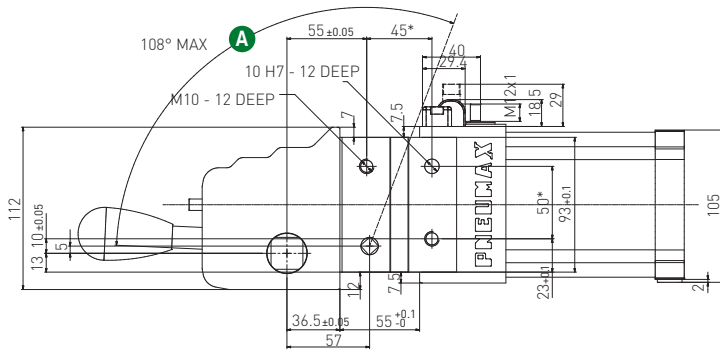


* DIMENSIONAL TOLERANCE
FOR DOWEL HOLES: ±0.02
DIMENSIONAL TOLERANCE
FOR THREADED HOLES: ±0.1

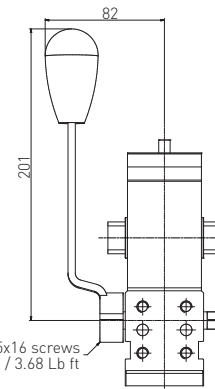
REV. 00 - 31/03/2015

C1D_63E / Power clamp - International mount - 63 mm bore with manual operation

WEIGHT 3.93 kg
D2 handle included



M5x16 screws
Tightening torque: 5 Nm / 3.68 Lb ft



D1 version

D2 version

Handle swivel angle

Arm opening angle	Handle swivel angle (A)
0°	2.65°
15°	26.35°
30°	41.38°
45°	56°
60°	70.38°
75°	83.43°
90°	94°
105°	102°
120°	107°
135°	110.7°

Max Hand Force: 200 N

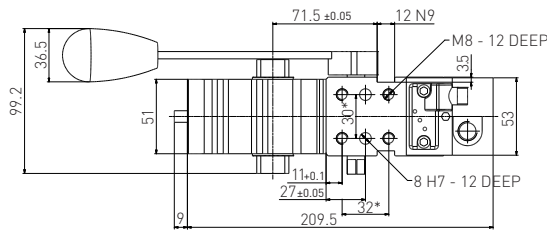
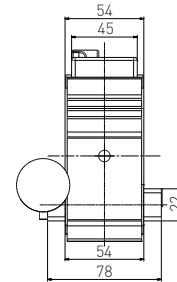
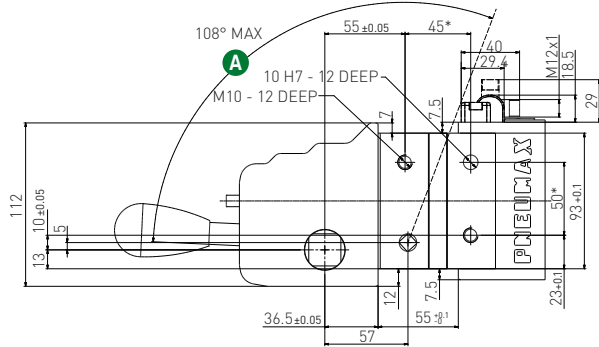
* DIMENSIONAL TOLERANCE
FOR DOWEL HOLES: ±0.02
DIMENSIONAL TOLERANCE
FOR THREADED HOLES: ±0.1

REV. 00 - 17/06/2015

C1M_63E / Manual power clamp - International mount

WEIGHT 3.3 kg
D2 handle included

CLAMPING



Handle swivel angle

Arm opening angle	(A) Handle swivel angle
0°	2.65°
15°	26.35°
30°	41.38°
45°	56°
60°	70.38°
75°	83.43°
90°	94°
105°	102°
120°	107°
135°	110.7°

Max Hand Force: 200 N

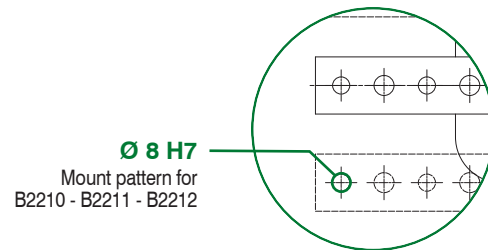
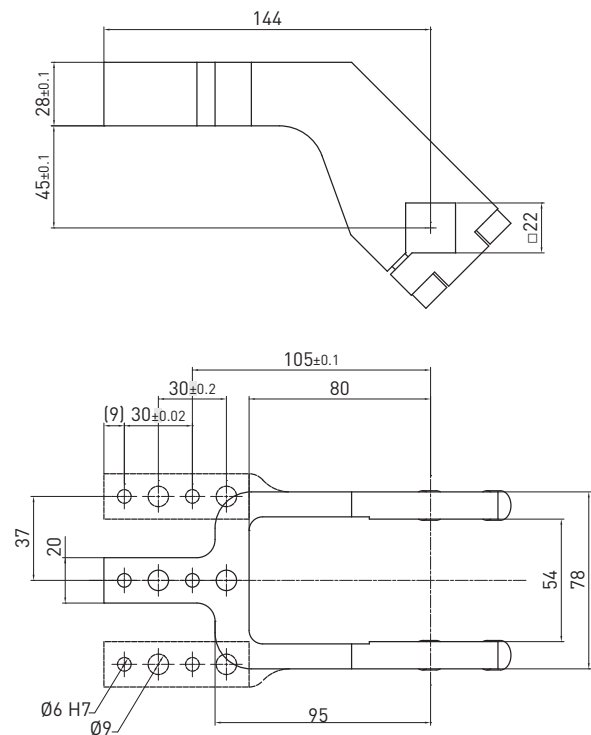
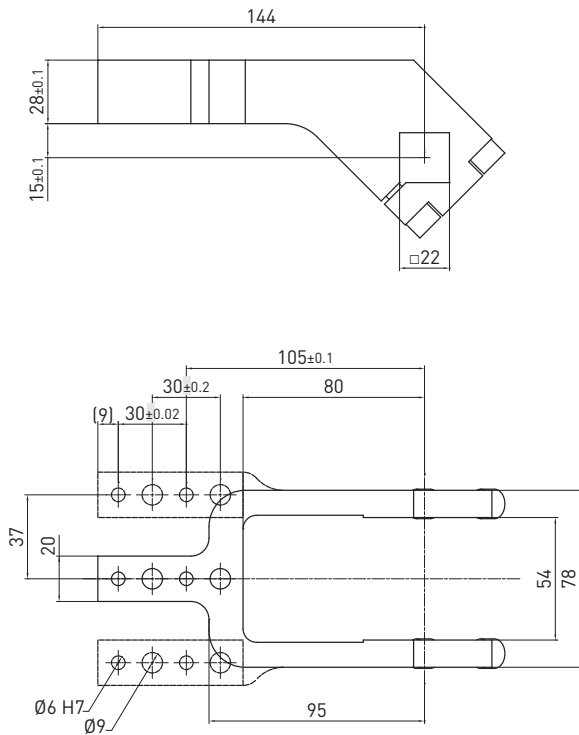
* DIMENSIONAL TOLERANCE
FOR DOWEL HOLES: ±0.02

DIMENSIONAL TOLERANCE
FOR THREADED HOLES: ±0.1

REV. 00 - 19/01/2022

Clamping arms / 22 mm shaft

REV. 01 - 08/02/2019



22 mm shaft – 15 mm offset

Part no.	Material	Version	Weight (kg)	Max op. angle pos. 1	Max op. angle pos. 2	Max op. angle pos. 3	Max op. angle pos. 4
B2201	Aluminum	Central	0.52	135°	115°	135°	80°
Q2201	Steel	Central	0.9	135°	115°	135°	80°
B2202	Aluminum	Right	0.54	135°	115°	135°	80°
Q2202	Steel	Right	0.93	135°	115°	135°	80°
B2203	Aluminum	Left	0.54	135°	115°	135°	80°
Q2203	Steel	Left	0.93	135°	115°	135°	80°

Screws: M8x25 Tightening torque: 25 N m / 18.43 lb ft

22 mm shaft – 15 mm offset

Part no.	Material	Version	Weight (kg)	Max op. angle pos. 1	Max op. angle pos. 2	Max op. angle pos. 3	Max op. angle pos. 4
B2215	Aluminum	H	0.63	135°	115°	135°	80°

Screws: M8x25 Tightening torque: 25 N m / 18.43 lb ft

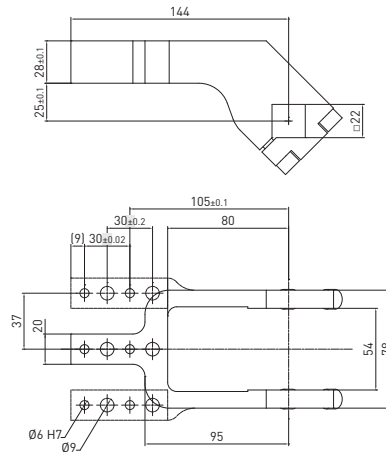
22 mm shaft – 45 mm offset

Part no.	Material	Version	Weight (kg)	Max op. angle pos. 1	Max op. angle pos. 2	Max op. angle pos. 3	Max op. angle pos. 4
B2204	Aluminum	Central	0.57	135°	135°	135°	75°
Q2204	Steel	Central	0.98	135°	135°	135°	75°
B2205	Aluminum	Right	0.58	135°	135°	135°	75°
Q2205	Steel	Right	1.02	135°	135°	135°	75°
B2206	Aluminum	Left	0.58	135°	135°	135°	75°
Q2206	Steel	Left	1.02	135°	135°	135°	75°

Screws: M8x25 Tightening torque: 25 N m / 18.43 lb ft

Clamping arms / 22 mm shaft

REV. 01 - 08/02/2019



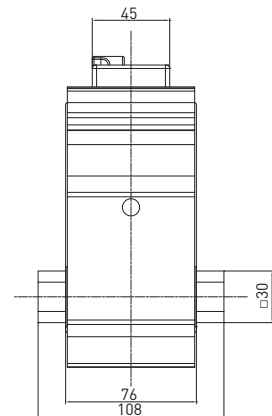
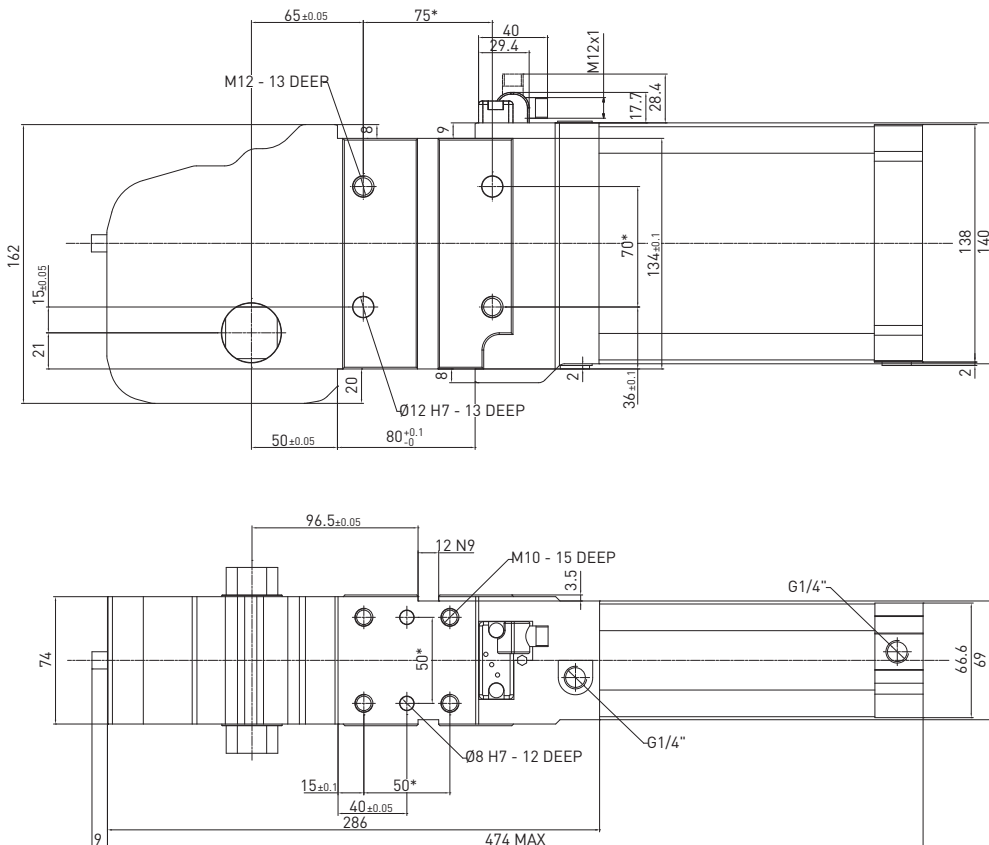
22 mm shaft – 25 mm offset

Part no.	Material	Version	Weight (kg)	Max op. angle pos. 1	Max op. angle pos. 2	Max op. angle pos. 3	Max op. angle pos. 4
B2221	Aluminum	Central	0.55	135°	115°	135°	80°
B2222	Aluminum	Right	0.57	135°	115°	135°	80°
B2223	Aluminum	Left	0.57	135°	115°	135°	80°

Screws: M8x25 Tightening torque: 25 N m / 18.43 lb ft

C1P80E / Power clamp - International mount - 80 mm bore

WEIGHT 8.54 kg

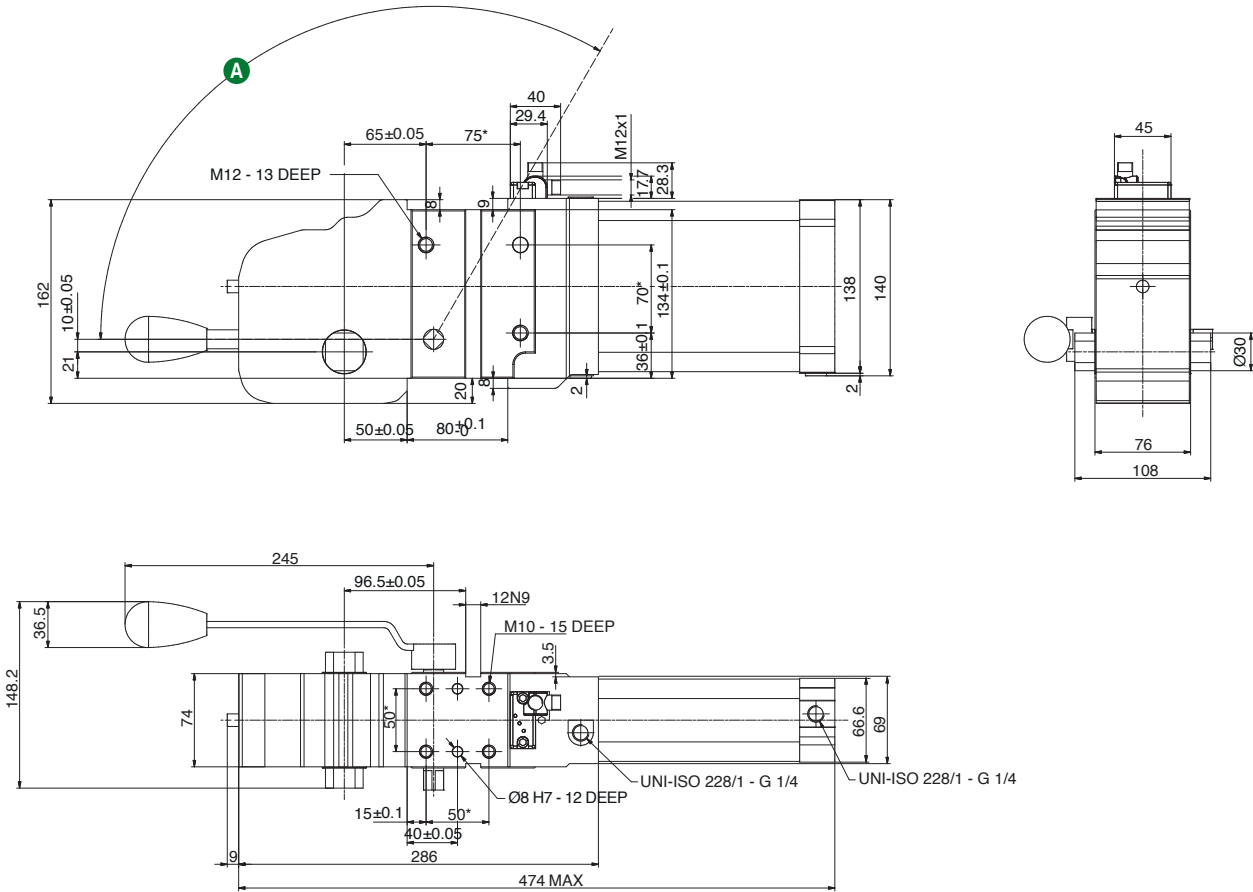


* DIMENSIONAL TOLERANCE
FOR DOWEL HOLES: ±0.02
DIMENSIONAL TOLERANCE
FOR THREADED HOLES: ±0.1

REV. 00 - 31/03/2015

C1D280E / Power clamp - International mount - 80 mm bore with manual operation

WEIGHT 9.8 kg



Handle swivel angle

Arm opening angle	Handle swivel angle A
0°	3°
15°	22°
30°	36°
45°	51.3°
60°	68°
75°	84.2°
90°	98°
105°	108°
120°	115°
135°	119°

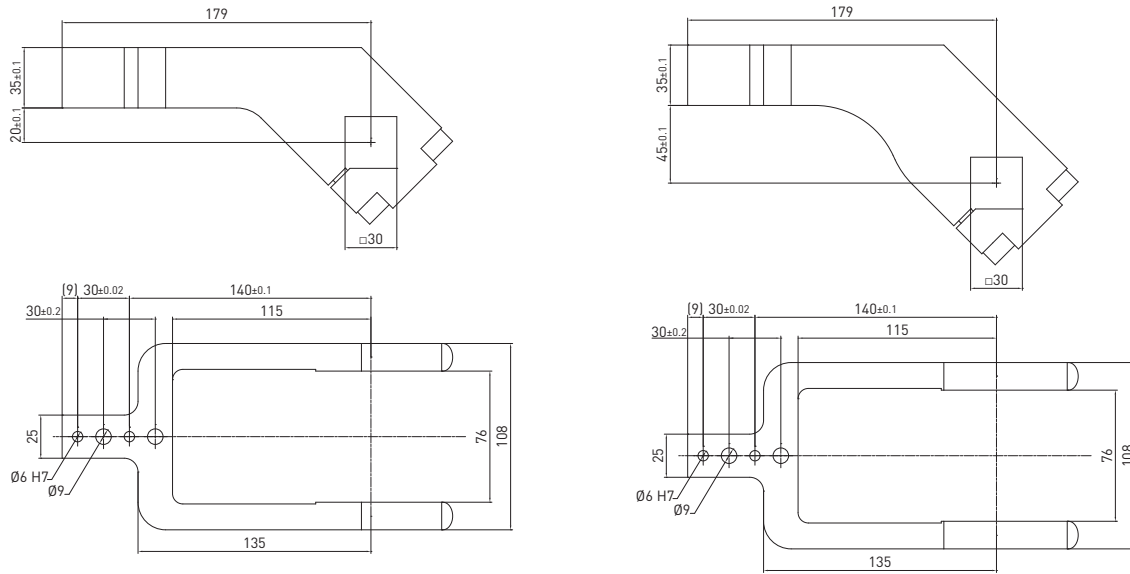
Max Hand Force: 200 N

* DIMENSIONAL TOLERANCE
FOR DOWEL HOLES: ±0.02
DIMENSIONAL TOLERANCE
FOR THREADED HOLES: ±0.1

REV. 00 - 03/03/2017

Clamping arms / 30 mm shaft

REV. 01 - 08/02/2019



30 mm shaft – 20 mm offset

Part no.	Material	Version	Weight (kg)	Max op. angle pos. 1	Max op. angle pos. 2	Max op. angle pos. 3	Max op. angle pos. 4
B3001	Aluminum	Central	1.1	135°	110°	135°	75°
B3002	Aluminum	Right	1.15	135°	110°	135°	75°
B3003	Aluminum	Left	1.15	135°	110°	135°	75°

Screws: M10x40 Tightening torque: 35 N m / 25.81 lb ft

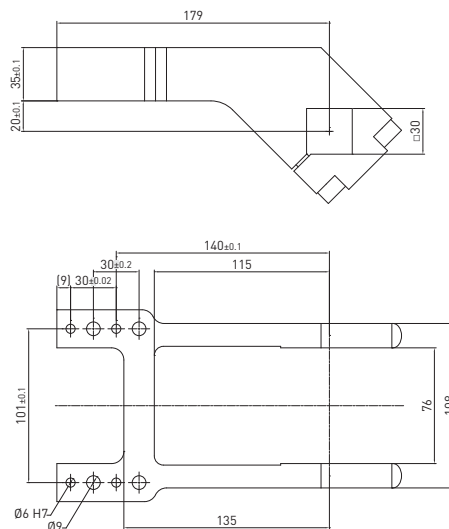
30 mm shaft – 45 mm offset

Part no.	Material	Version	Weight (kg)	Max op. angle pos. 1	Max op. angle pos. 2	Max op. angle pos. 3	Max op. angle pos. 4
B3004	Aluminum	Central	1.18	135°	110°	135°	75°
B3005	Aluminum	Right	1.2	135°	110°	135°	75°
B3006	Aluminum	Left	1.2	135°	110°	135°	75°

Screws: M10x40 Tightening torque: 35 N m / 25.81 lb ft

Clamping arms / 30 mm shaft

REV. 00 - 28/11/2019



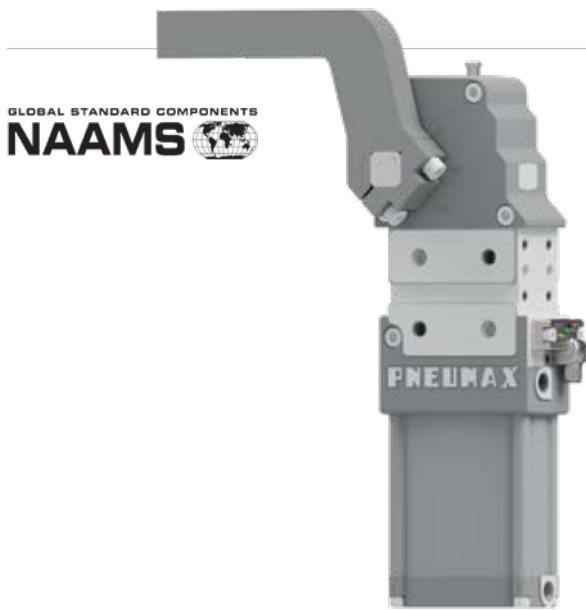
30 mm shaft – 20 mm offset

Part no.	Material	Version	Weight (kg)	Max op. angle pos. 1	Max op. angle pos. 2	Max op. angle pos. 3	Max op. angle pos. 4
B3016	Aluminum	H	1.4	135°	110°	135°	75°

Screws: M10x40 Tightening torque: 35 N m / 25.81 lb ft

C2-Series

Pneumatic power clamps conforming to the NAAMS Standard



Pneumax clamps' series have all been developed with a modern and compact design which goes towards **enhancing the operational performances**, such as the cycle time, combined with a very limited total weight without compromising their **strength** and **resistance**.

CLAMPING

Technical features

Manual release button to open the linkage when air pressure is removed during setup. **Pneumatic ports on both sides** of the cylinder.

Operating features

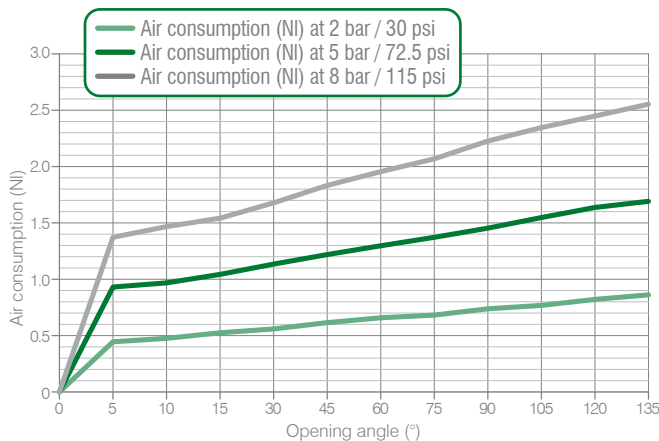
Operating pressure	from 2 to 8 bar / from 30 to 115 psi
Lubrication	all the devices are lubricated for life at the factory. Inline air lubrication isn't required

Functional charts

Size 50 mm

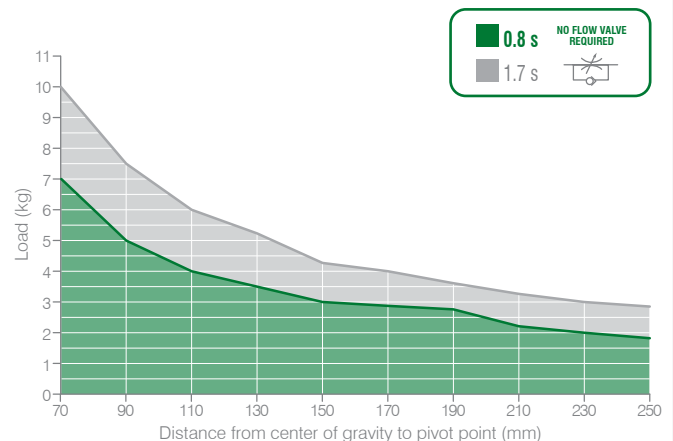
- Air consumption**

Air consumption for complete cycle (opening and closing)
REV. 00 - 16/06/2015



- Tooling weight chart**

5 bar operating pressure – 135° opening angle
REV. 00 - 16/06/2015



- Clamping moment (at 5 bar / 72.5 psi)**

185 N m / 136,44 lb-ft

- Holding moment**

800 N m / 590,04 lb-ft

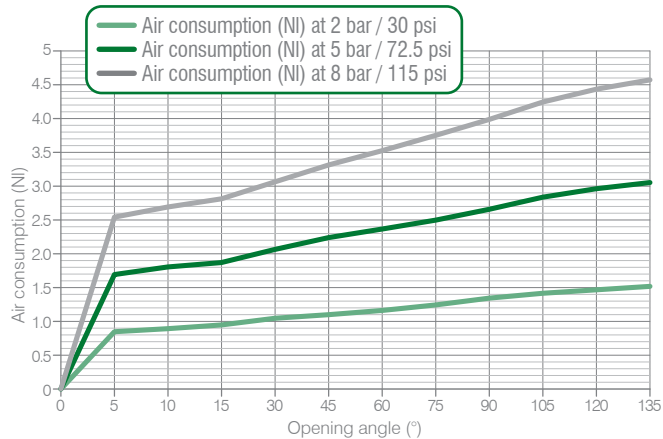
The above data are meant for correct working conditions of the clamp with the same performance level during its life time. For applications which exceed the above data, please contact our sales representatives.

Size 63 mm

- Air consumption**

Air consumption for complete cycle (opening and closing)

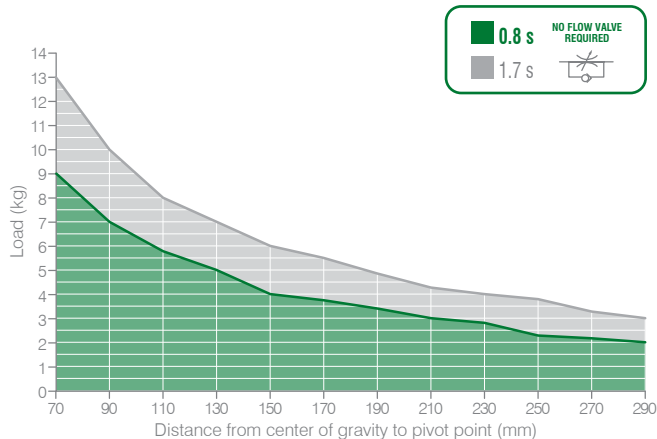
REV. 00 - 17/06/2015



- Tooling weight chart**

5 bar operating pressure – 135° opening angle

REV. 00 - 17/06/2015



- Clamping moment (at 5 bar / 72.5 psi)**

390 N m / 287,64 lb-ft

- Holding moment**

1.500 N m / 1.106,34 lb-ft

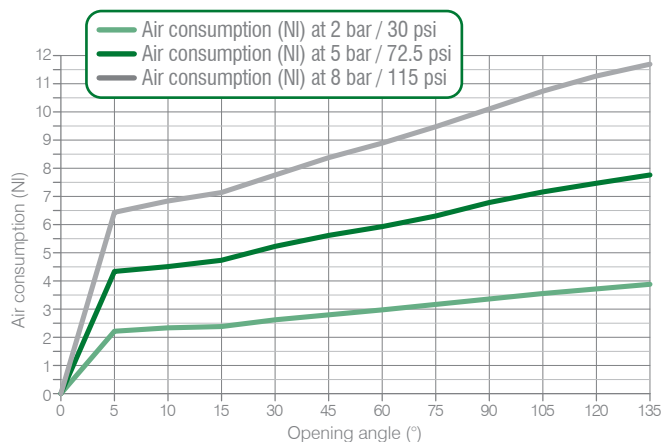
The above data are meant for correct working conditions of the clamp with the same performance level during its life time. For applications which exceed the above data, please contact our sales representatives.

Size 80 mm

- Air consumption**

Air consumption for complete cycle (opening and closing)

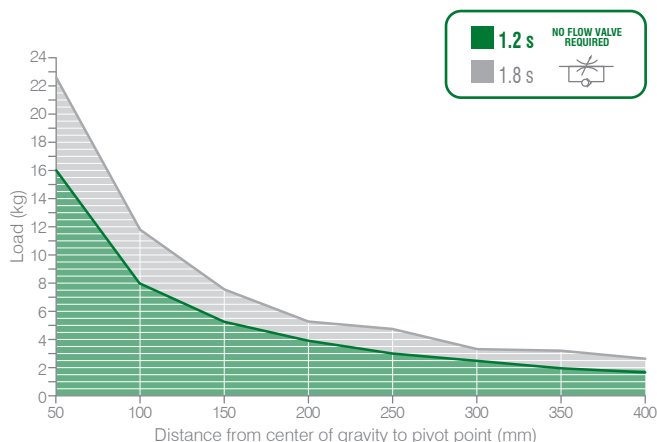
REV. 00 - 29/05/2015



- Tooling weight chart**

5 bar operating pressure – 135° opening angle

REV. 00 - 29/05/2016



- Clamping moment (at 5 bar / 72.5 psi)**

850 N m / 626,92 lb-ft

- Holding moment**

2.500 N m / 1.843,90 lb-ft

The above data are meant for correct working conditions of the clamp with the same performance level during its life time. For applications which exceed the above data, please contact our sales representatives.



C2-Series / Ordering string

C2-Series

C **2** **P** **50** **E** **N** **L**

C	VERSION	C = clamp
2	MOUNTING PATTERN	2 = NAAMS Standard
P	OPERATION	P = pneumatic D = pneumatic with manual operation D0 = output shaft for manual operation - no lever and no handle included
50	SIZE	50 = Ø 50 mm 63 = Ø 63 mm 80 = Ø 80 mm
E	SENSOR	E = electronic sensor with M12 swivel connector - PNP A = electronic sensor with M12 swivel connector - NPN N = no sensor B = electronic sensor with M8 swivel connector - PNP
N	PORTS	G = G thread – BSPP N = NPT
L	SHAFT OUTPUT	— = dual output L = single output - LEFT R = single output - RIGHT

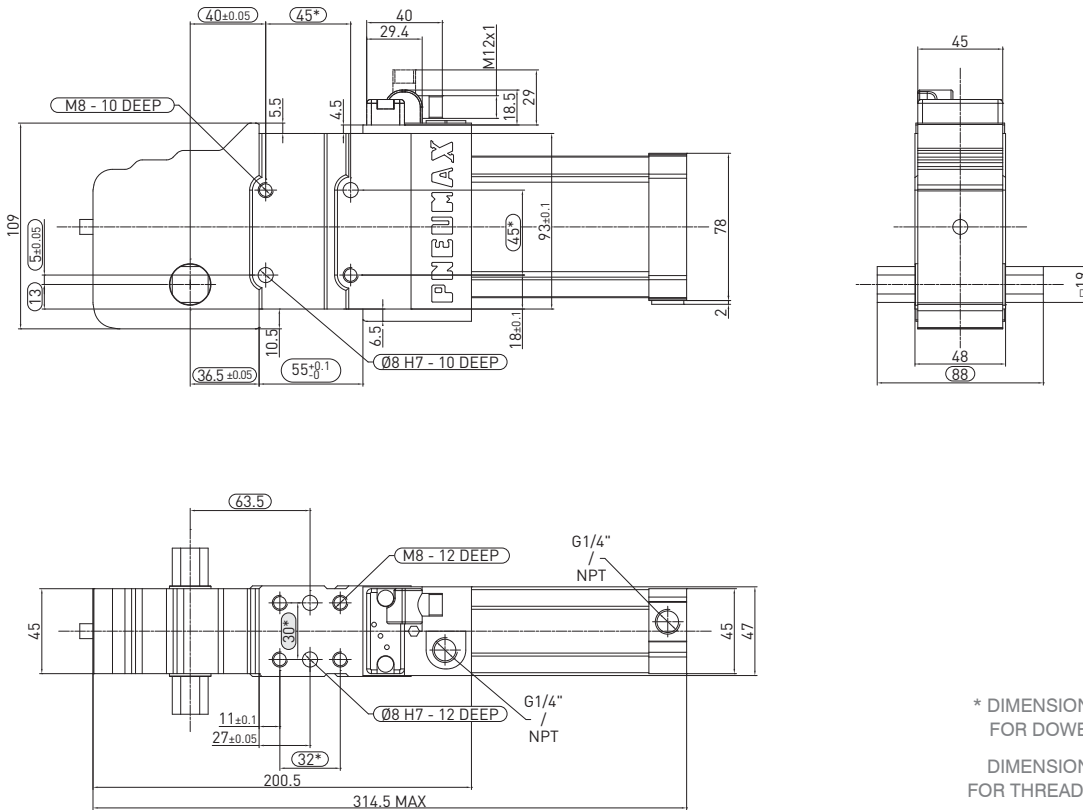


CLAMPING

NAAMS clamping arms to be ordered separately
Please see the charts in the datasheets
for arm position as well as for max. opening angle

C2P50E / Power clamp - NAAMS Std - 50 mm bore

WEIGHT 2.7 kg



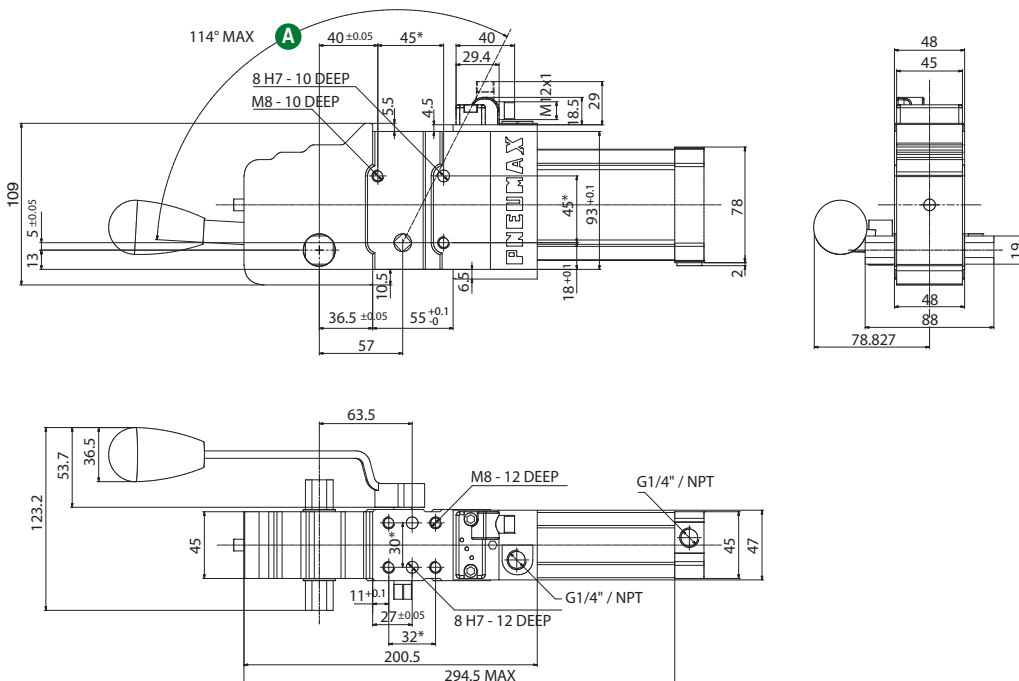
* DIMENSIONAL TOLERANCE FOR DOWEL HOLES: ±0.02
DIMENSIONAL TOLERANCE FOR THREADED HOLES: ±0.1

REV. 01 - 15/05/2016

C2D250E / Power clamp - NAAMS Std - 50 mm bore with manual operation

WEIGHT 3.17 kg

D2 handle included



Handle swivel angle

Arm opening angle	Handle swivel angle (A)
0°	3.25°
15°	27°
30°	43°
45°	59.3°
60°	75.4°
75°	89.75°
90°	101°
105°	109°
120°	114.25°
135°	117.2°

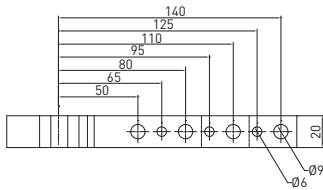
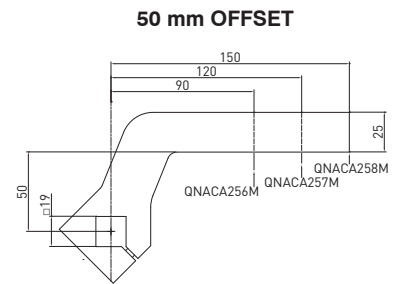
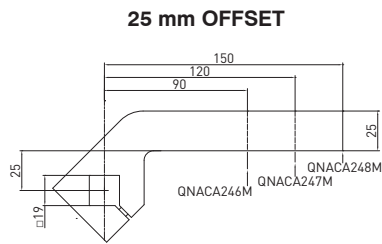
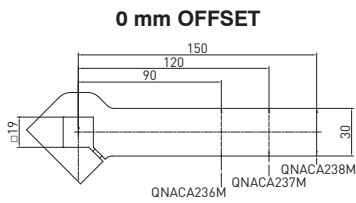
Max Hand Force: 200 N

* DIMENSIONAL TOLERANCE FOR DOWEL HOLES: ±0.02
DIMENSIONAL TOLERANCE FOR THREADED HOLES: ±0.1

REV. 01 - 15/05/2016

Clamping arms / 19 mm shaft - NAAMS Std

REV 03 - 29/03/2019



CLAMPING

19 mm shaft – 0 mm offset

Part no.	Material	Length (mm)	Weight (kg)	Max op. angle pos. 1	Max op. angle pos. 2	Max op. angle pos. 3	Max op. angle pos. 4
QNACA236M	Steel	90	0.4	135°	135°	135°	135°
QNACA237M	Steel	120	0.49	135°	135°	135°	135°
QNACA238M	Steel	150	0.58	135°	135°	135°	135°

Screws: M6x25 Tightening torque: 10 N m / 7.37 lb-ft

19 mm shaft – 25 mm offset

Part no.	Material	Length (mm)	Weight (kg)	Max op. angle pos. 1	Max op. angle pos. 2	Max op. angle pos. 3	Max op. angle pos. 4
QNACA246M	Steel	90	0.44	135°	135°	135°	135°
QNACA247M	Steel	120	0.52	135°	135°	135°	135°
QNACA248M	Steel	150	0.6	135°	135°	135°	135°

Screws: M6x25 Tightening torque: 10 N m / 7.37 lb-ft

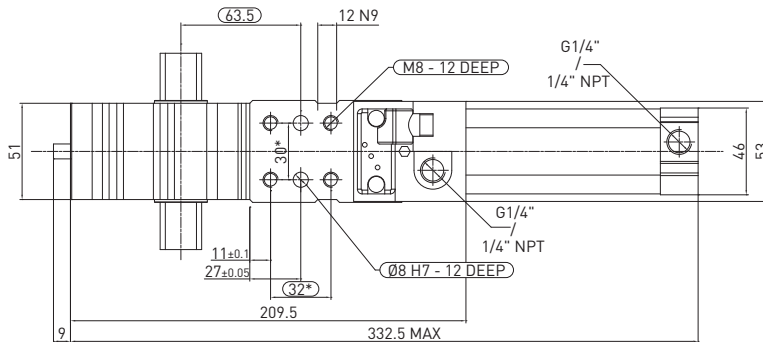
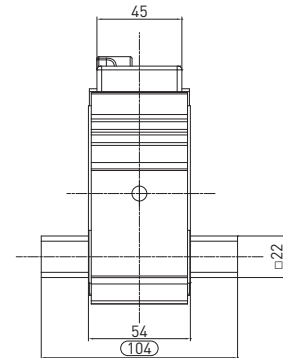
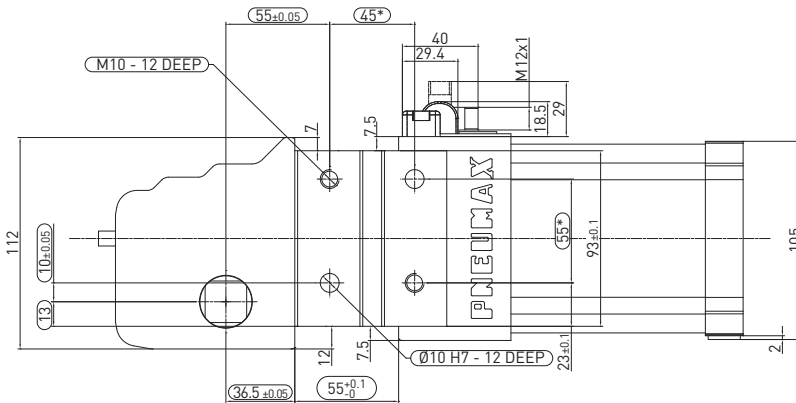
19 mm shaft – 50 mm offset

Part no.	Material	Length (mm)	Weight (kg)	Max op. angle pos. 1	Max op. angle pos. 2	Max op. angle pos. 3	Max op. angle pos. 4
QNACA256M	Steel	90	0.52	135°	135°	135°	135°
QNACA257M	Steel	120	0.6	135°	135°	135°	135°
QNACA258M	Steel	150	0.68	135°	135°	135°	135°

Screws: M6x25 Tightening torque: 10 N m / 7.37 lb-ft

C2P63E / Power clamp - NAAMS Std - 63 mm bore

WEIGHT 3.5 kg



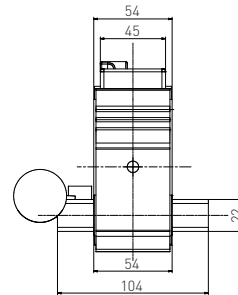
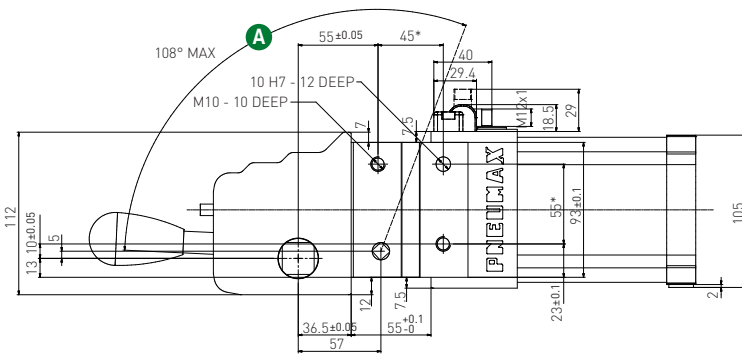
* DIMENSIONAL TOLERANCE
FOR DOWEL HOLES: ± 0.02
DIMENSIONAL TOLERANCE
FOR THREADED HOLES: ± 0.1

REV. 00 - 31/03/2015

C2D263E / Power clamp - NAAMS Std - 63 mm bore with manual operation

WEIGHT 4 kg

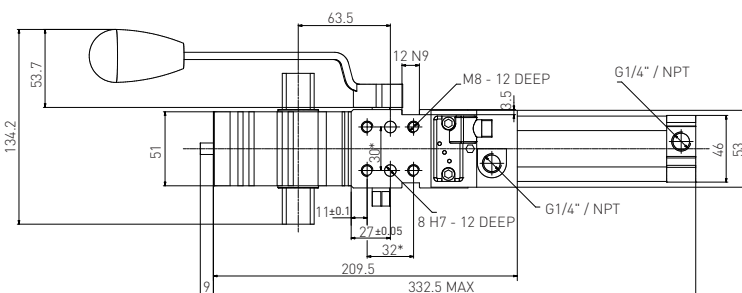
D2 handle included



Handle swivel angle

Arm opening angle	Handle swivel angle A
0°	2.65°
15°	26.35°
30°	41.38°
45°	56°
60°	70.38°
75°	83.43°
90°	94°
105°	102°
120°	107°
135°	110.7°

Max Hand Force: 200 N

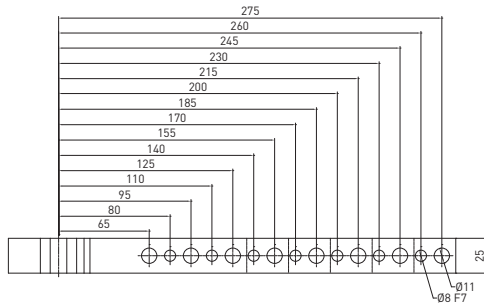
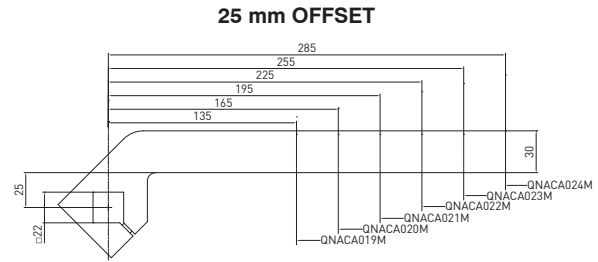
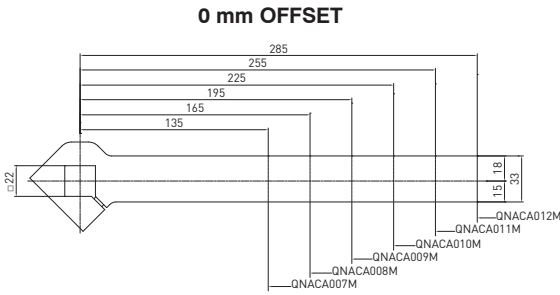


* DIMENSIONAL TOLERANCE
FOR DOWEL HOLES: ± 0.02
DIMENSIONAL TOLERANCE
FOR THREADED HOLES: ± 0.1

REV. 00 - 17/06/2015

Clamping arms / 22 mm shaft - NAAMS Std

REV 02 - 29/03/2019



22 mm shaft – 0 mm offset



Part no.	Material	Length (mm)	Weight (kg)	Max op. angle pos. 1	Max op. angle pos. 2	Max op. angle pos. 3	Max op. angle pos. 4
QNACA007M	Steel	135	0.72	135°	135°	135°	135°
QNACA008M	Steel	165	0.83	135°	135°	135°	135°
QNACA009M	Steel	195	0.94	135°	135°	135°	135°
QNACA010M	Steel	225	1.05	135°	135°	135°	135°
QNACA011M	Steel	255	1.16	135°	135°	135°	135°
QNACA012M	Steel	285	1.28	135°	135°	135°	135°

Screws: M8X25 Tightening torque: 25 N m / 18.43 lb ft

22 mm shaft – 25 mm offset

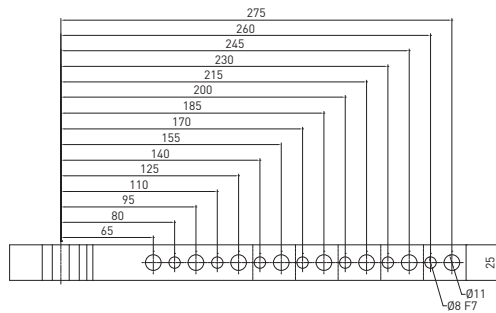
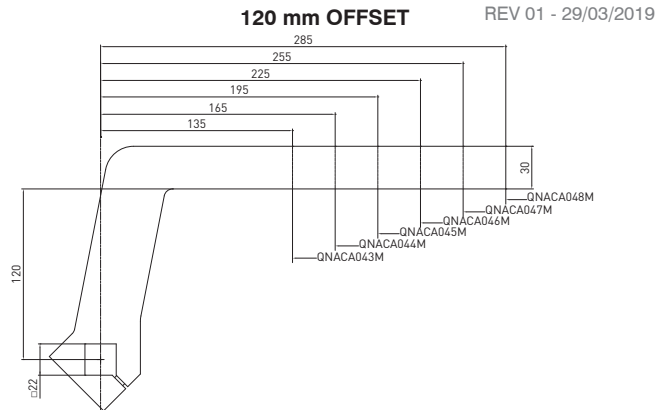
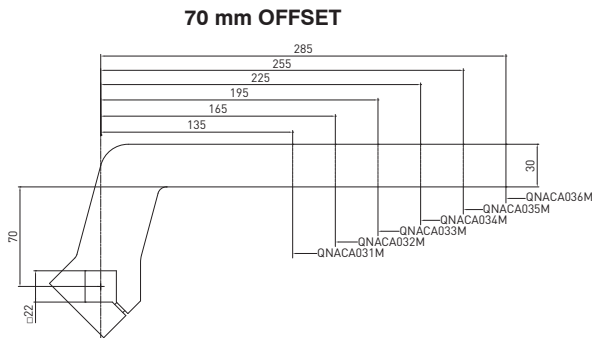


Part no.	Material	Length (mm)	Weight (kg)	Max op. angle pos. 1	Max op. angle pos. 2	Max op. angle pos. 3	Max op. angle pos. 4
QNACA019M	Steel	135	0.84	135°	135°	135°	135°
QNACA020M	Steel	165	0.95	135°	135°	135°	135°
QNACA021M	Steel	195	1.05	135°	135°	135°	135°
QNACA022M	Steel	225	1.16	135°	135°	135°	135°
QNACA023M	Steel	255	1.26	135°	135°	135°	135°
QNACA024M	Steel	285	1.37	135°	135°	135°	135°

Screws: M8X25 Tightening torque: 25 N m / 18.43 lb ft

Clamping arms / 22 mm shaft - NAAMS Std

CLAMPING



22 mm shaft – 70 mm offset



Part no.	Material	Length (mm)	Weight (kg)	Max op. angle pos. 1	Max op. angle pos. 2	Max op. angle pos. 3	Max op. angle pos. 4
QNACA031M	Stahl	135	1.05	135°	135°	135°	135°
QNACA032M	Stahl	165	1.16	135°	135°	135°	135°
QNACA033M	Stahl	195	1.27	135°	135°	135°	135°
QNACA034M	Stahl	225	1.38	135°	135°	135°	135°
QNACA035M	Stahl	255	1.49	135°	135°	135°	135°
QNACA036M	Stahl	285	1.6	135°	135°	135°	135°

Screws: M8X25 Tightening torque: 25 N m / 18.43 lb ft ft

22 mm shaft – 120 mm offset

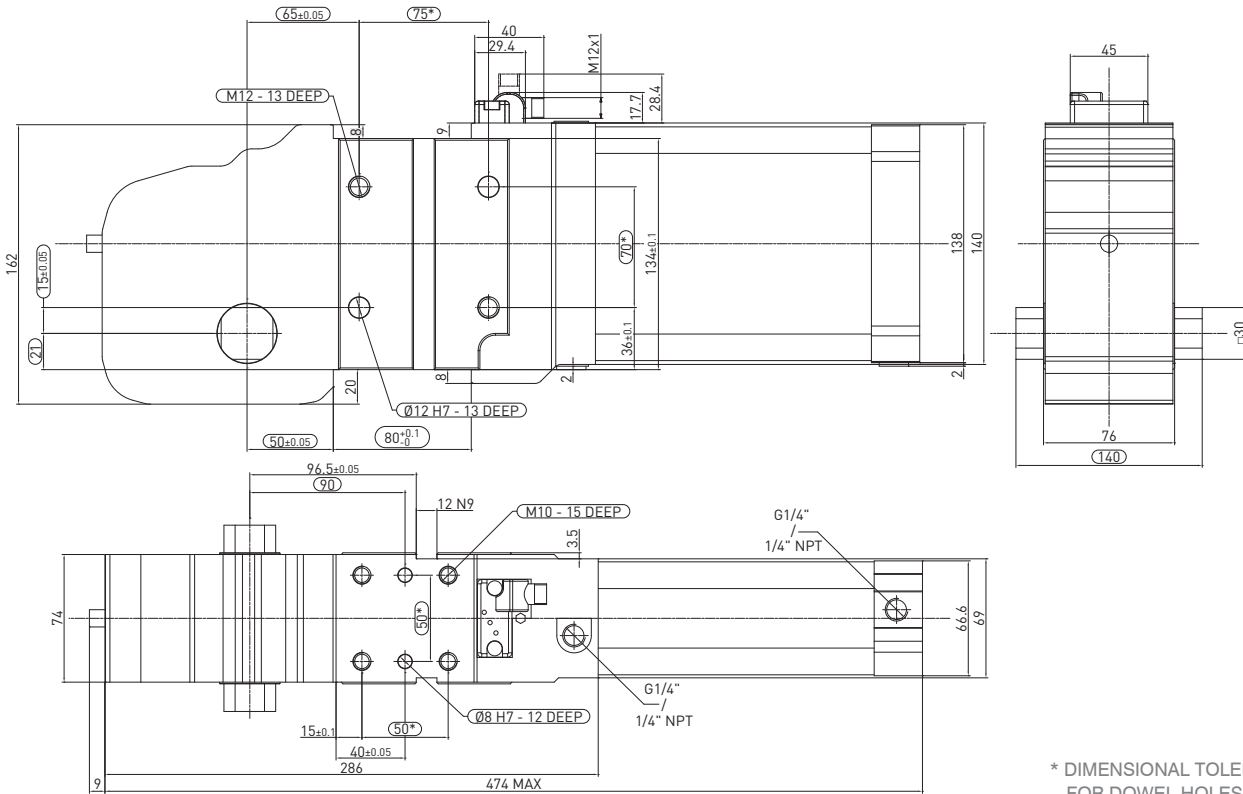


Part no.	Material	Length (mm)	Weight (kg)		Max op. angle pos. 2	Max op. angle pos. 3	Max op. angle pos. 4
QNACA043M	Stahl	135	1.27	135°	135°	135°	135°
QNACA044M	Stahl	165	1.37	135°	135°	135°	135°
QNACA045M	Stahl	195	1.48	135°	135°	135°	135°
QNACA046M	Stahl	225	1.58	135°	135°	135°	135°
QNACA047M	Stahl	255	1.69	135°	135°	135°	135°
QNACA048M	Stahl	285	1.8	135°	135°	135°	135°

Screws: M8X25 Tightening torque: 25 N m / 18.43 lb ft ft

C2P80E / Power clamp - NAAMS Std - 80 mm bore

WEIGHT 8.75 kg



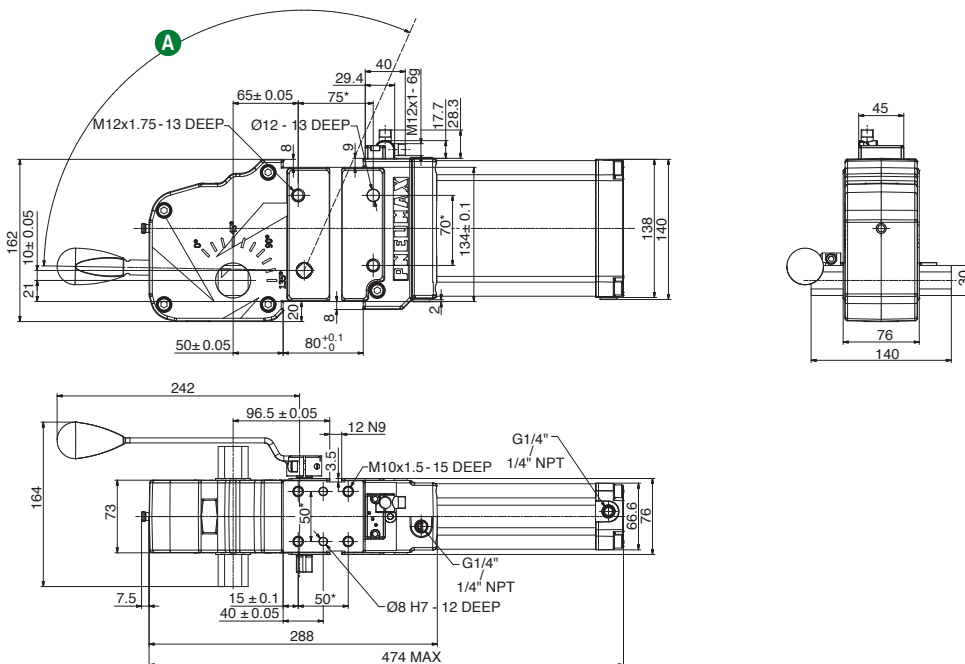
* DIMENSIONAL TOLERANCE FOR DOWEL HOLES: ±0.02
DIMENSIONAL TOLERANCE FOR THREADED HOLES: ±0.1

REV. 00 - 31/07/2015

CLAMPING

C2D280E / Power clamp - NAAMS Std - 80 mm bore with manual operation

WEIGHT 9.8 kg
D2 handle included



Handle swivel angle

Arm opening angle	Handle swivel angle A
0°	3°
15°	22°
30°	36°
45°	51.3°
60°	68°
75°	84.2°
90°	98°
105°	108°
120°	115°
135°	119°

Max Hand Force: 200 N

* DIMENSIONAL TOLERANCE FOR DOWEL HOLES: ±0.02
DIMENSIONAL TOLERANCE FOR THREADED HOLES: ±0.1

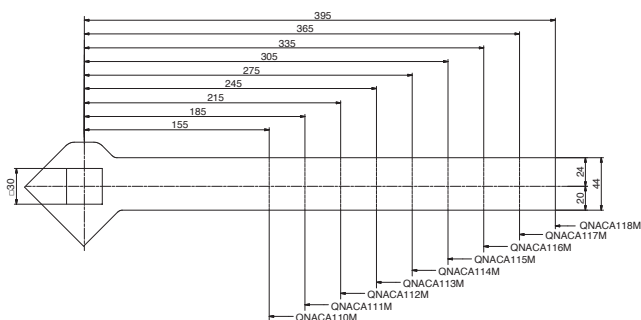
REV.00 - 29/01/2024

Clamping arms / 30 mm shaft - NAAMS Std

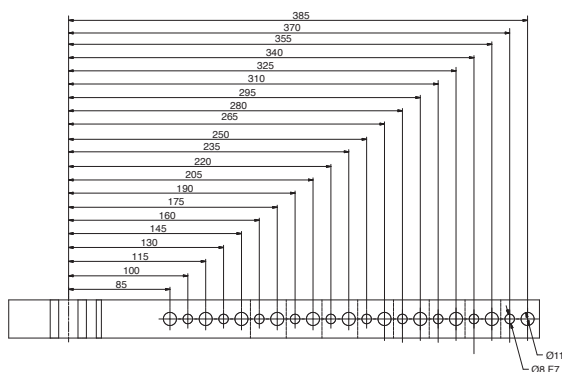
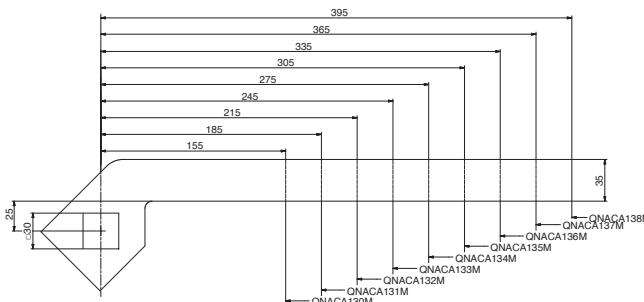
REV.04 - 28/06/2024

CLAMPING

0 mm OFFSET



25 mm OFFSET



30 mm shaft – 0 mm offset

Part no.	Material	Length (mm)	Weight (kg)	Max op. angle pos. 1	Max op. angle pos. 2	Max op. angle pos. 3	Max op. angle pos. 4
QNACA110M	Steel	155	1.41	135°	135°	135°	135°
QNACA111M	Steel	185	1.58	135°	135°	135°	135°
QNACA112M	Steel	215	1.76	135°	135°	135°	135°
QNACA113M	Steel	245	1.93	135°	135°	135°	135°
QNACA114M	Steel	275	2.1	135°	135°	135°	135°
QNACA115M	Steel	305	2.27	135°	135°	135°	135°
QNACA116M	Steel	335	2.45	135°	135°	135°	135°
QNACA117M	Steel	365	2.62	135°	135°	135°	135°
QNACA118M	Steel	395	2.8	135°	135°	135°	135°

Screws: M10x40 Tightening torque: 35 N m / 25.81 lb ft

30 mm shaft – 25 mm offset

Part no.	Material	Length (mm)	Weight (kg)	Max op. angle pos. 1	Max op. angle pos. 2	Max op. angle pos. 3	Max op. angle pos. 4
QNACA130M	Steel	155	1.24	135°	135°	135°	135°
QNACA131M	Steel	185	1.39	135°	135°	135°	135°
QNACA132M	Steel	215	1.54	135°	135°	135°	135°
QNACA133M	Steel	245	1.69	135°	135°	135°	135°
QNACA134M	Steel	275	1.84	135°	135°	135°	135°
QNACA135M	Steel	305	2	135°	135°	135°	135°
QNACA136M	Steel	335	2.14	135°	135°	135°	135°
QNACA137M	Steel	365	2.29	135°	135°	135°	135°
QNACA138M	Steel	395	2.45	135°	135°	135°	135°

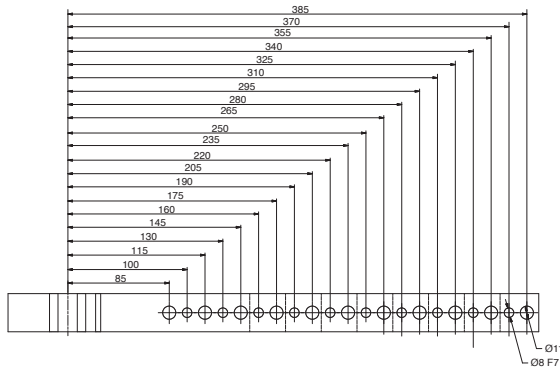
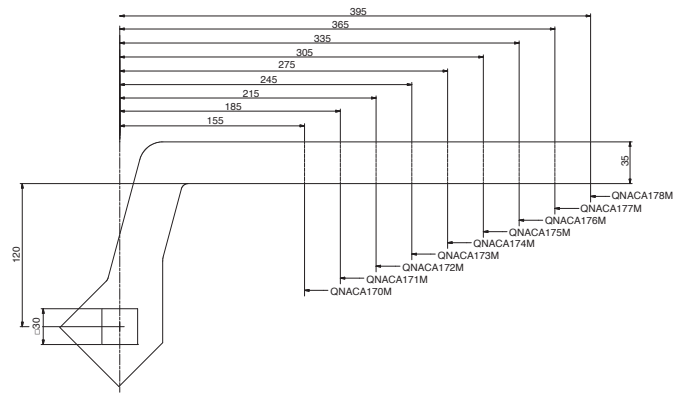
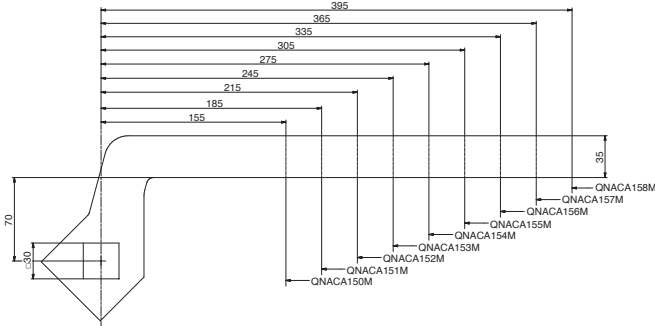
Screws: M10x40 Tightening torque: 35 N m / 25.81 lb ft

Clamping arms / 30 mm shaft - NAAMS Std

REV.04 - 28/06/2024

70 mm OFFSET

120 mm OFFSET



CLAMPING

30 mm shaft – 70 mm offset

Part no.	Material	Length (mm)	Weight (kg)	Max op. angle pos. 1	Max op. angle pos. 2	Max op. angle pos. 3	Max op. angle pos. 4
QNACA150M	Steel	155	1.7	135°	135°	135°	135°
QNACA151M	Steel	185	1.85	135°	135°	135°	135°
QNACA152M	Steel	215	2	135°	135°	135°	135°
QNACA153M	Steel	245	2.15	135°	135°	135°	135°
QNACA154M	Steel	275	2.3	135°	135°	135°	135°
QNACA155M	Steel	305	2.45	135°	135°	135°	135°
QNACA156M	Steel	335	2.6	135°	135°	135°	135°
QNACA157M	Steel	365	2.76	135°	135°	135°	135°
QNACA158M	Steel	395	2.92	135°	135°	135°	135°

Screws: M10x40 Tightening torque: 35 N m / 25.81 lb ft

30 mm shaft – 120 mm offset

Part no.	Material	Length (mm)	Weight (kg)	Max op. angle pos. 1	Max op. angle pos. 2	Max op. angle pos. 3	Max op. angle pos. 4
QNACA170M	Steel	155	1.97	135°	135°	135°	135°
QNACA171M	Steel	185	2.12	135°	135°	135°	135°
QNACA172M	Steel	215	2.27	135°	135°	135°	135°
QNACA173M	Steel	245	2.42	135°	135°	135°	135°
QNACA174M	Steel	275	2.57	135°	135°	135°	135°
QNACA175M	Steel	305	2.72	135°	135°	135°	135°
QNACA176M	Steel	335	2.87	135°	135°	135°	135°
QNACA177M	Steel	365	3.02	135°	135°	135°	135°
QNACA178M	Steel	395	3.19	135°	135°	135°	135°

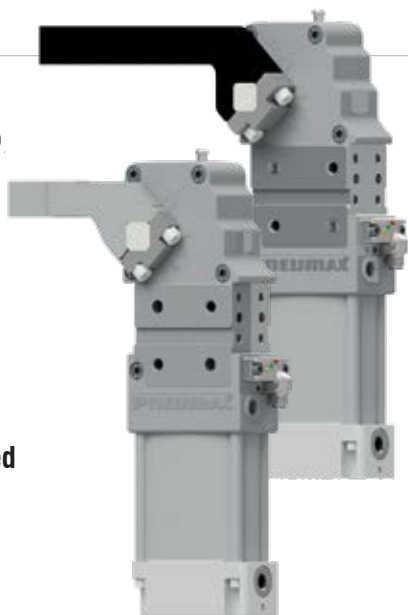
Screws: M10x40 Tightening torque: 35 N m / 25.81 lb ft

C3 and C4-Series

New integrated hold open device

It securely holds the clamp in its open position in case of air loss

INTERNATIONAL
MOUNT



The new integrated hold open device is a reliable solution even for applications with considerable **axial load** on the **clamping arm**.

It allows for a smooth and controlled restart of the cycle.

Compact overall dimensions.

Available for all clamps' mountings (logo International mount and logo NAAMS). Protection against external impacts, dust and welding debris.



Patented

CLAMPING

Technical features

Manual release button to open the linkage when air pressure is removed during setup. **Pneumatic ports on both sides** of the cylinder.

Operating features

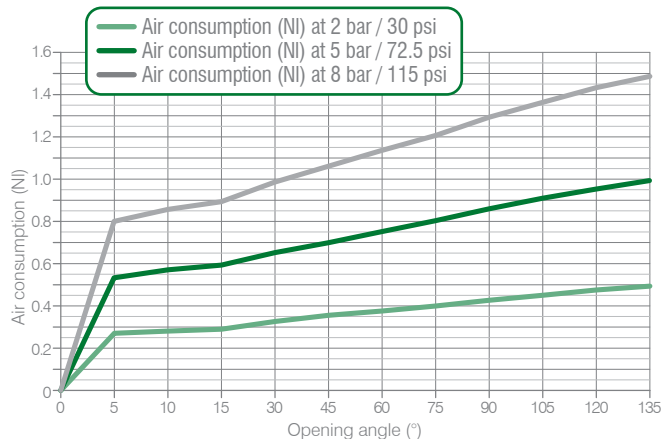
Operating pressure	from 2 to 8 bar / from 30 to 115 psi
Lubrication	all the devices are lubricated for life at the factory. Inline air lubrication isn't required
High retention	make sure to supply air to the opposite side of the cylinder before switching the valve

Functional charts

Size 40 mm

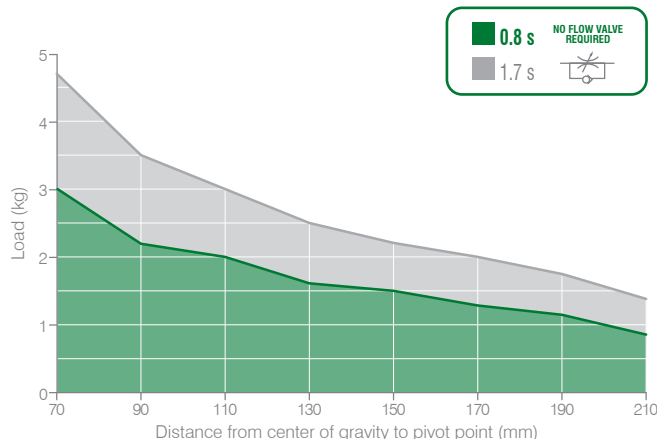
• Air consumption

Air consumption for complete cycle (opening and closing)
REV. 00 - 17/06/2015



• Tooling weight chart

5 bar operating pressure – 135° opening angle
REV. 00 - 17/06/2015



• Clamping moment (at 5 bar / 72.5 psi)

130 N m / 95,88 lb-ft

• Holding moment

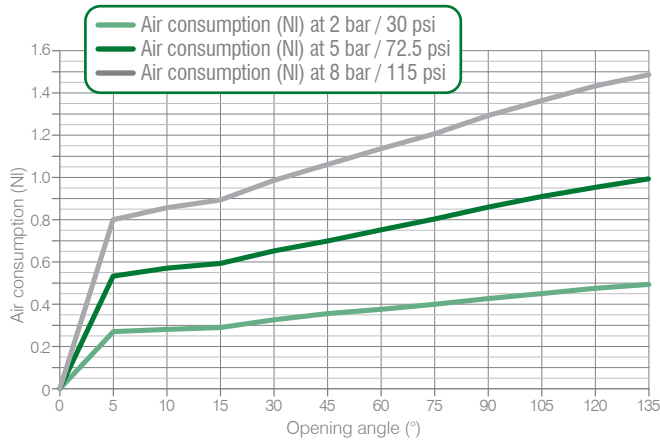
380 N m / 280,27 lb-ft

The above data are meant for correct working conditions of the clamp with the same performance level during its life time. For applications which exceed the above data, please contact our sales representatives.

Series 45 - size 40 interchangeable to size 50 and 63 mm

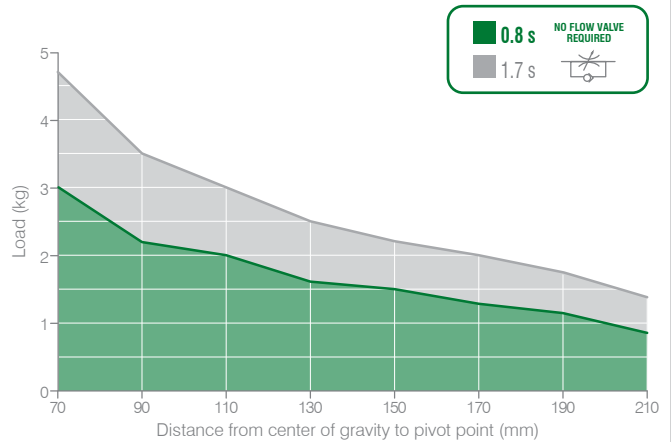
Air consumption

Air consumption for complete cycle (opening and closing)
REV. 00 - 16/06/2015



Tooling weight chart

5 bar operating pressure – 135° opening angle
REV. 00 - 16/06/2015



Clamping moment (at 5 bar / 72.5 psi)

130 N m / 95,88 lb-ft

Holding moment

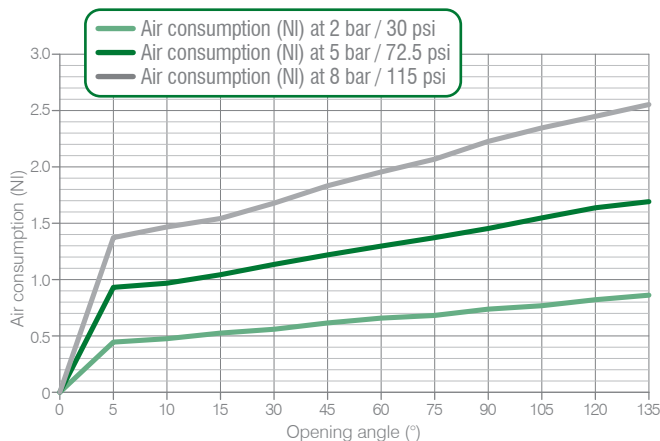
380 N m / 280,25 lb-ft

The above data are meant for correct working conditions of the clamp with the same performance level during its life time. For applications which exceed the above data, please contact our sales representatives.

Size 50 mm

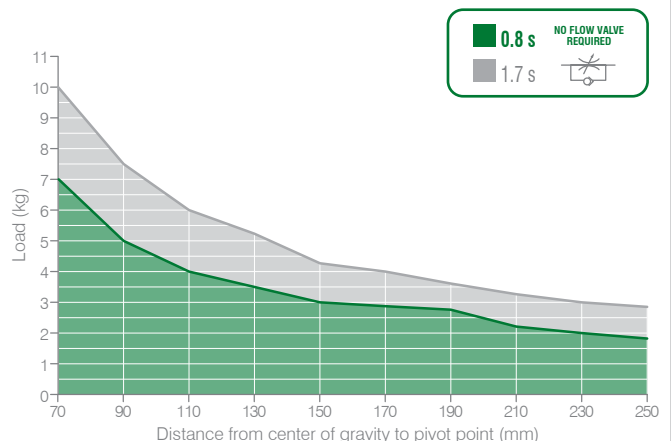
Air consumption

Air consumption for complete cycle (opening and closing)
REV. 00 - 16/06/2015



Tooling weight chart

5 bar operating pressure – 135° opening angle
REV. 00 - 16/06/2015



Clamping moment (at 5 bar / 72.5 psi)

185 N m / 136,44 lb-ft

Holding moment

800 N m / 590,04 lb-ft

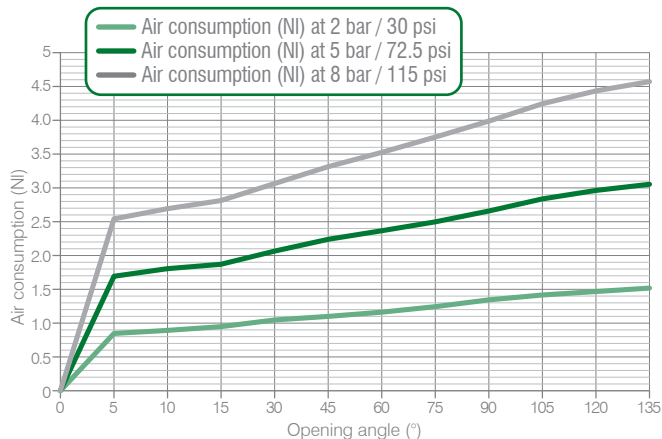
The above data are meant for correct working conditions of the clamp with the same performance level during its life time. For applications which exceed the above data, please contact our sales representatives.

C3 and C4-Series / Functional charts (continued)

Size 63 mm

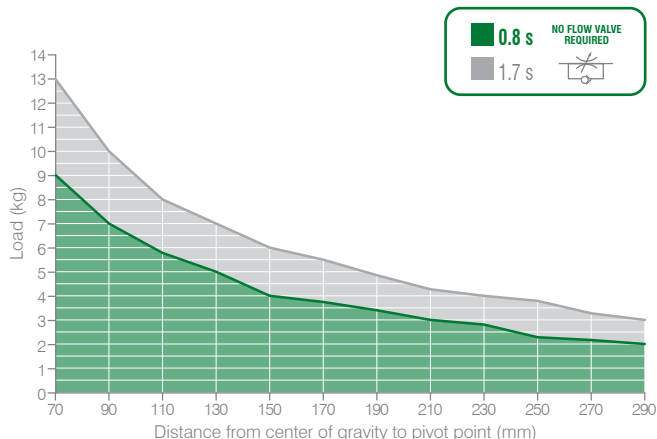
• Air consumption

Air consumption for complete cycle (opening and closing)
REV. 00 - 17/06/2015



• Tooling weight chart

5 bar operating pressure – 135° opening angle
REV. 00 - 17/06/2015



• Clamping moment (at 5 bar / 72.5 psi)

390 N m / 287,64 lb-ft

• Holding moment

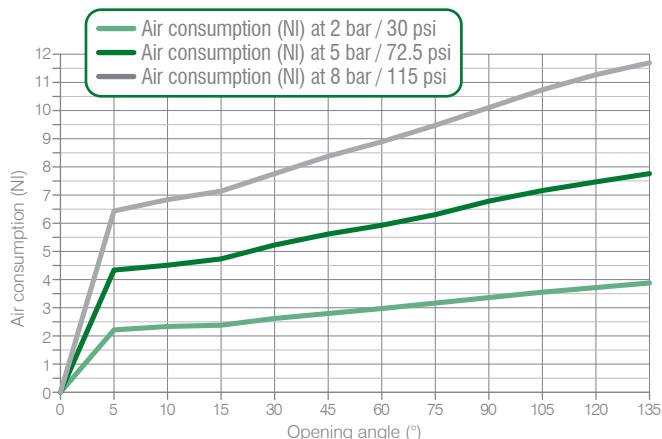
1.500 N m / 1.106,34 lb-ft

The above data are meant for correct working conditions of the clamp with the same performance level during its life time. For applications which exceed the above data, please contact our sales representatives.

Size 80 mm

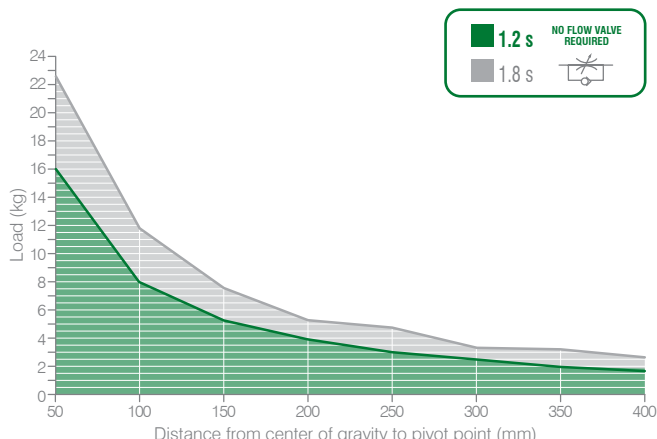
• Air consumption

Air consumption for complete cycle (opening and closing)
REV. 00 - 29/05/2015



• Tooling weight chart

5 bar operating pressure – 135° opening angle
REV. 00 - 29/05/2016



• Clamping moment (at 5 bar / 72.5 psi)

850 N m / 626,92 lb-ft

• Holding moment

2.500 N m / 1.843,90 lb-ft

The above data are meant for correct working conditions of the clamp with the same performance level during its life time. For applications which exceed the above data, please contact our sales representatives.







C3 and C4-Series / Ordering string

Please see the charts in the datasheets for arm position as well as for max. opening angle

C3-Series

C 3 P 40 E G 4 A 01


C	VERSION	C = clamp
3	MOUNTING PATTERN	3 = International mount with integrated hold-open device
P	OPERATION	P = pneumatic
40	SIZE	40 = Ø 40 mm 45 = Ø 40 mm with interchangeable to size 50 and 63 mm 50 = Ø 50 mm 63 = Ø 63 mm 80 = Ø 80 mm
E	SENSOR	E = electronic sensor with M12 swivel connector - PNP A = electronic sensor with M12 swivel connector - NPN N = no sensor B = electronic sensor with M8 swivel connector - PNP
G	PORTS	G = G thread – BSPP N = NPT
4	ARM MOUNT	1 =  2 =  3 =  4 = 
A	ARM MATERIAL	A = aluminum S = steel
01	CLAMP ARM TYPE	01 = wishbone, central, 15 mm offset* 02 = wishbone, right, 15 mm offset* 03 = wishbone, left, 15 mm offset* 04 = wishbone, central, 45 mm offset 05 = wishbone, right, 45 mm offset 06 = wishbone, left, 45 mm offset

* for size 80 mm = 20 mm offset

CLAMPING

C4-Series

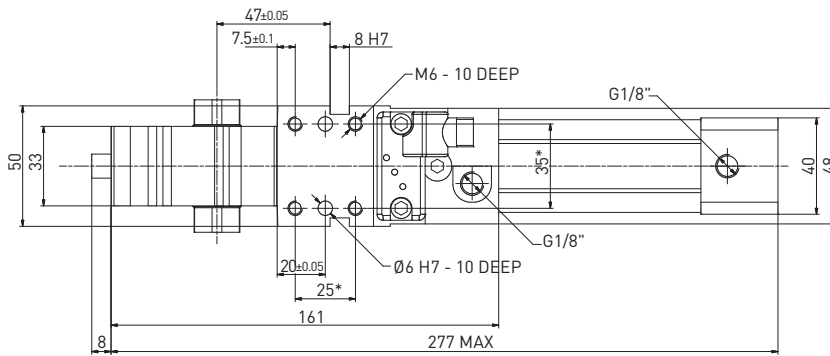
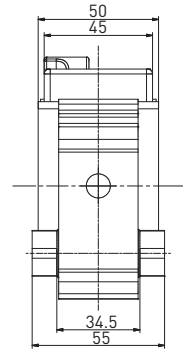
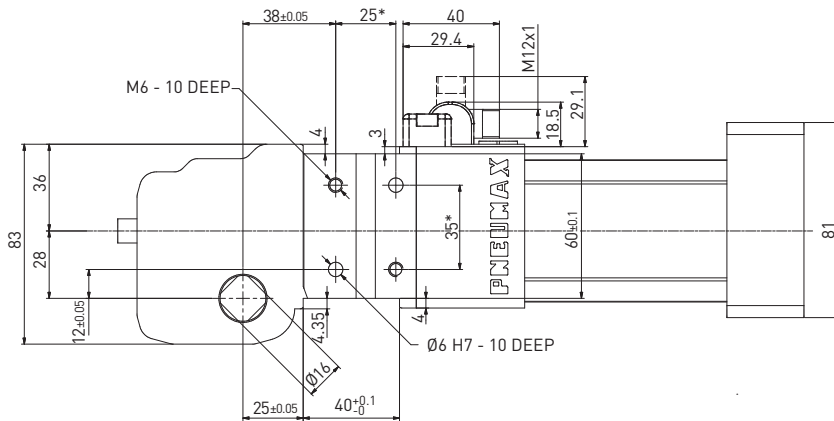
C 4 P 50 E N L

C	VERSION	C = clamp
4	MOUNTING PATTERN	4 = NAAMS Standard with integrated hold-open device GLOBAL STANDARD COMPONENTS NAAMS 
P	OPERATION	P = pneumatic
50	SIZE	50 = Ø 50 mm 63 = Ø 63 mm 80 = Ø 80 mm
E	SENSOR	E = electronic sensor with M12 swivel connector - PNP A = electronic sensor with M12 swivel connector - NPN N = no sensor B = electronic sensor with M8 swivel connector - PNP
N	PORTS	G = G thread – BSPP N = NPT
L	SHAFT OUTPUT	L = dual output L̄ = single output - LEFT R = single output - RIGHT

NAAMS clamping arms to be ordered separately
Please see the charts in the datasheets
for arm position as well as for max. opening angle

C3P40E / Power clamp - International mount with integrated hold-open device - 40 mm bore

WEIGHT 3.5 kg



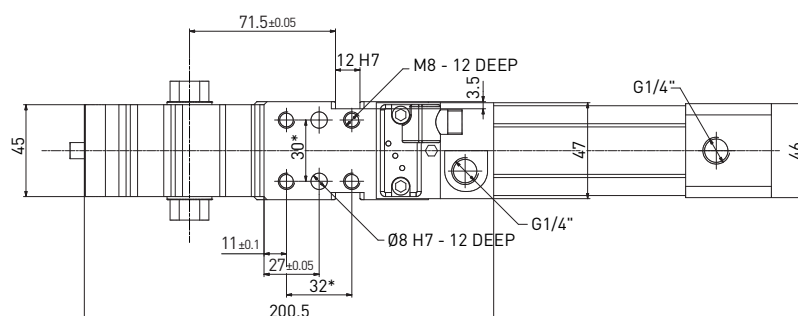
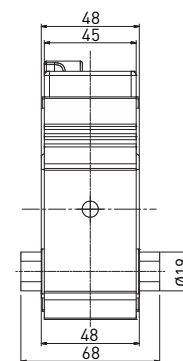
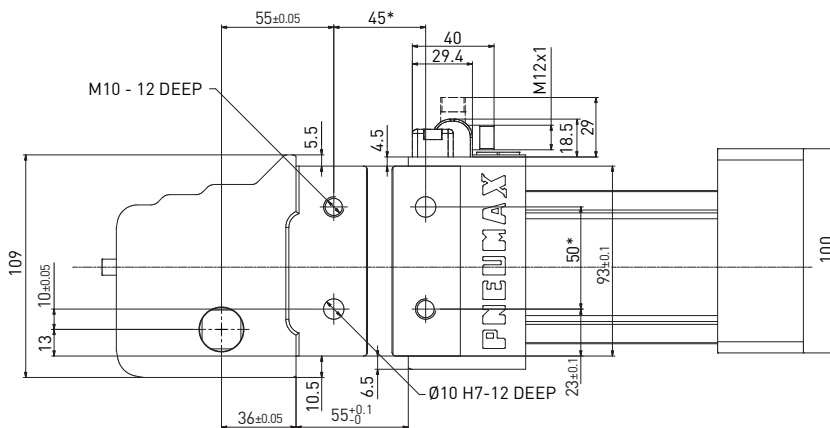
for clamping arms, please see C1 series

* DIMENSIONAL TOLERANCE
FOR DOWEL HOLES: ±0.02
DIMENSIONAL TOLERANCE
FOR THREADED HOLES: ±0.1

REV. 00 - 27/07/2022

C3P50E / Power clamp - International mount with integrated hold-open device - 50 mm bore

WEIGHT 4 kg



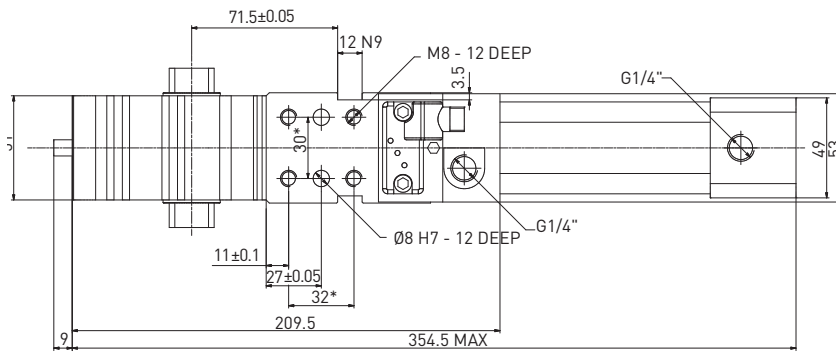
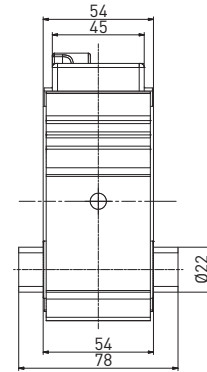
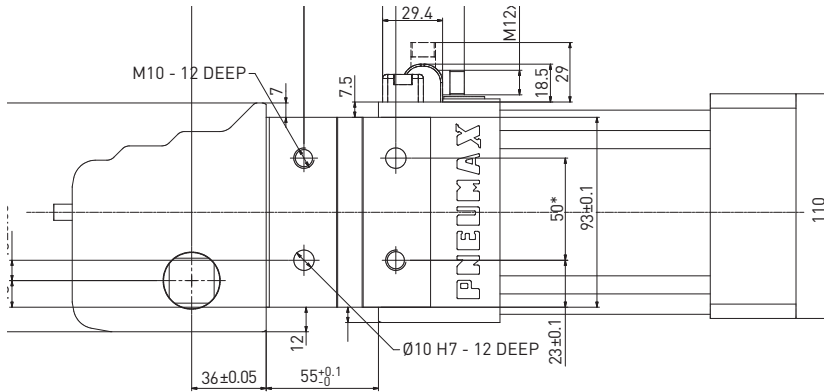
for clamping arms, please see C1 series

* DIMENSIONAL TOLERANCE
FOR DOWEL HOLES: ±0.02
DIMENSIONAL TOLERANCE
FOR THREADED HOLES: ±0.1

REV. 00 - 22/07/2022

C3P63E / Power clamp - International mount with integrated hold-open device - 63 mm bore

WEIGHT 3.5 kg



for clamping arms, please see C1 series

* DIMENSIONAL TOLERANCE
FOR DOWEL HOLES: ±0.02

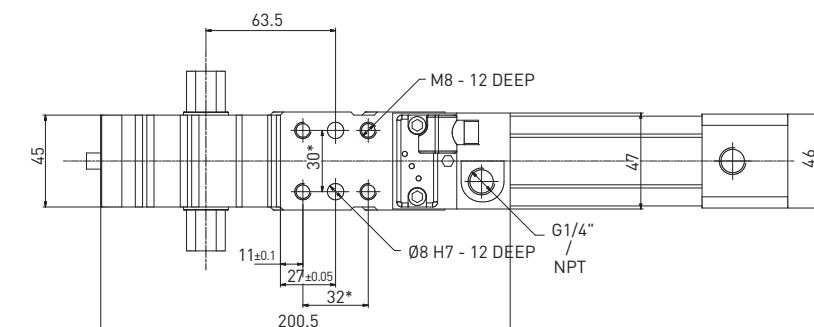
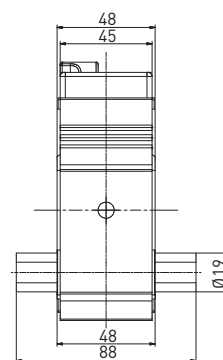
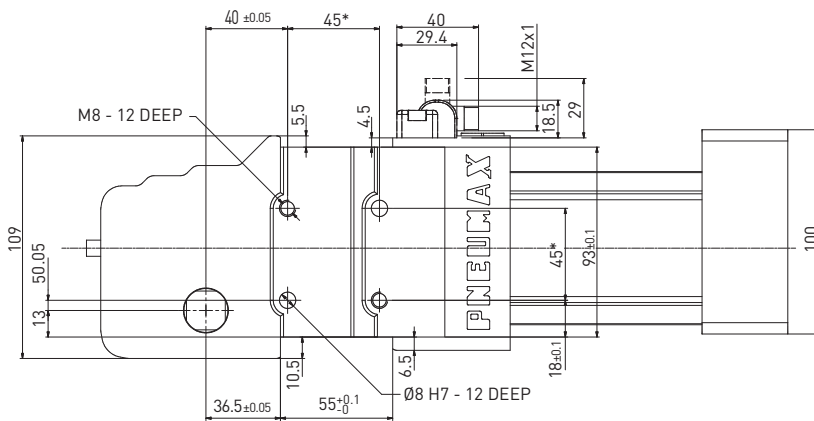
DIMENSIONAL TOLERANCE
FOR THREADED HOLES: ±0.1

REV. 00 - 27/07/2022

CLAMPING

C4P50E / Power clamp - NAAMS Standard with integrated hold-open device - 50 mm bore

WEIGHT 4 kg



for clamping arms, please see C2 series

* DIMENSIONAL TOLERANCE
FOR DOWEL HOLES: ±0.02

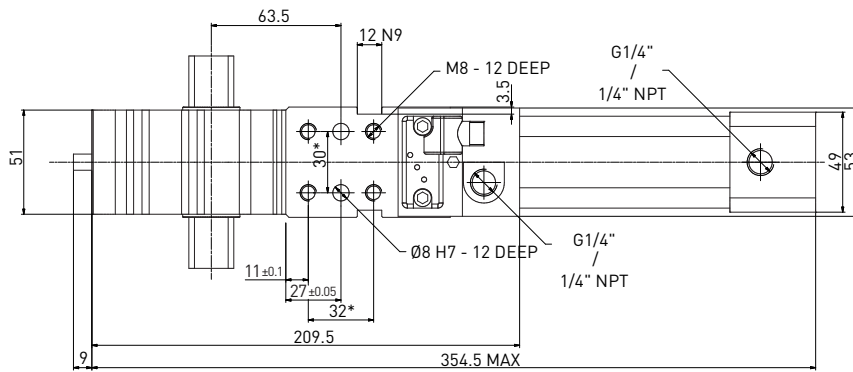
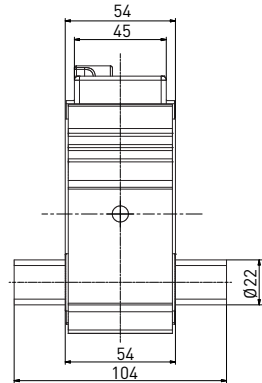
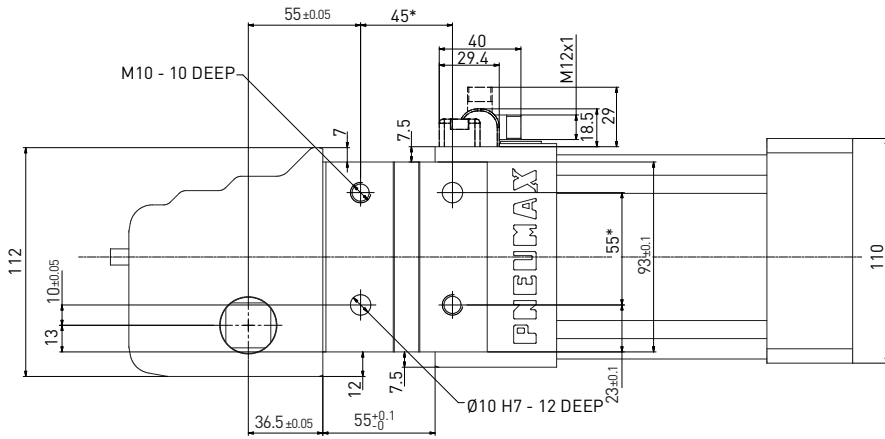
DIMENSIONAL TOLERANCE
FOR THREADED HOLES: ±0.1

REV. 00 - 27/07/2022

C4P63E / Power clamp - NAAMS Standard with integrated hold-open device - 63 mm bore

WEIGHT 3.5 kg

CLAMPING



for clamping arms, please see C2 series

* DIMENSIONAL TOLERANCE
FOR DOWEL HOLES: ±0.02

DIMENSIONAL TOLERANCE
FOR THREADED HOLES: ±0.1

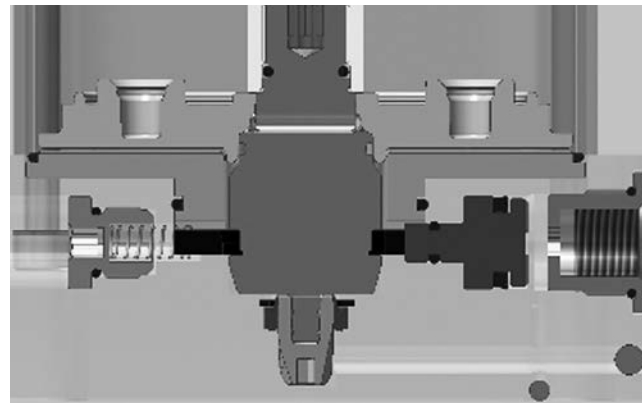
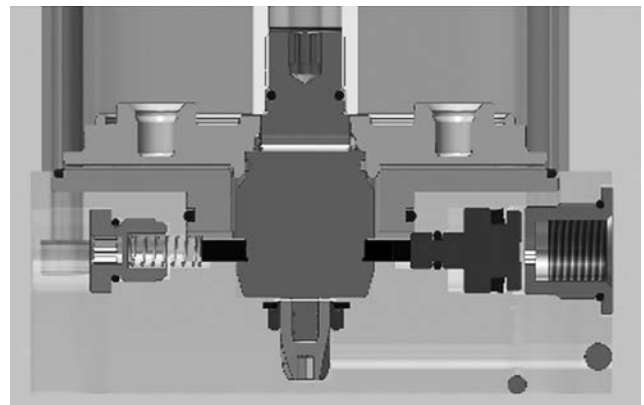
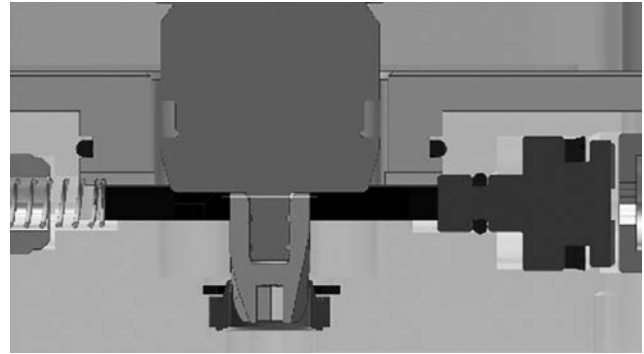
REV. 00 - 27/07/2022

Integrated mechanism

Without air, a spring pushes a steel locking ring in a groove machined in the piston rod termination and prevents it from moving.

On the opposite side, a pneumatic piston, when activated, pushes the steel locking ring and releases the piston.

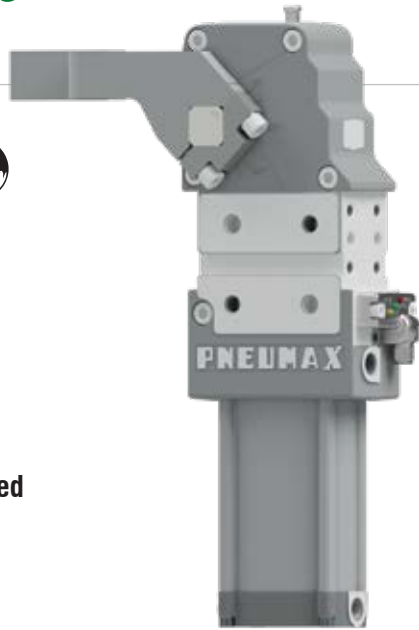
SINGLE EFFECT



HE1-Series

High Efficiency power clamps International mount

INTERNATIONAL
MOUNT



Air consumption saving up to 41%

The perfect combination between **functionality** and **efficiency**: same clamping moment, same holding moment, same overall and functional dimensions, same load capacity of a standard clamp with International and NAAMS mounts available.



Patented

CLAMPING

Technical features

Manual release button to open the linkage when air pressure is removed during setup. **Pneumatic ports on both sides** of the cylinder.

Operating features

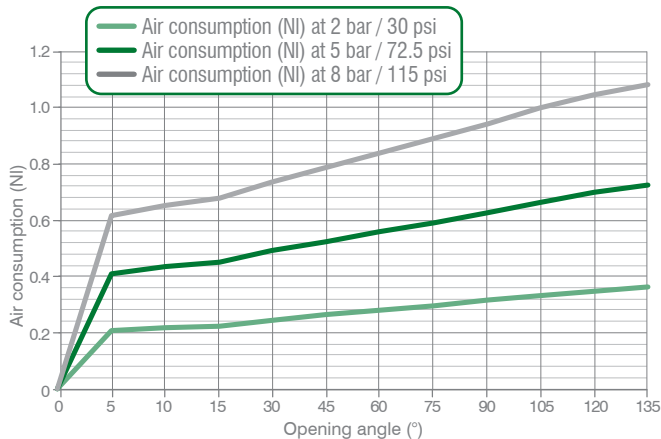
Operating pressure	from 2 to 8 bar / from 30 to 115 psi
Lubrication	all the devices are lubricated for life at the factory. Inline air lubrication isn't required

Functional charts

HE1P0E

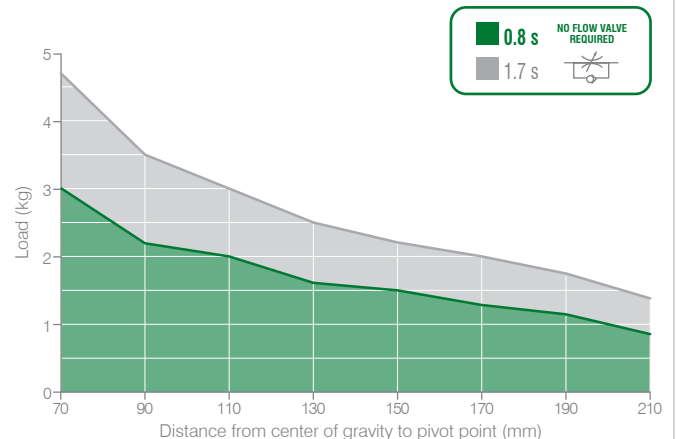
• Air consumption

Air consumption for complete cycle (opening and closing)
REV. 00 - 21/01/2016



• Tooling weight chart

5 bar operating pressure – 135° opening angle
REV. 00 - 17/06/2015



- **Clamping moment (at 5 bar / 72.5 psi)**
130 N m / 95,88 lb-ft

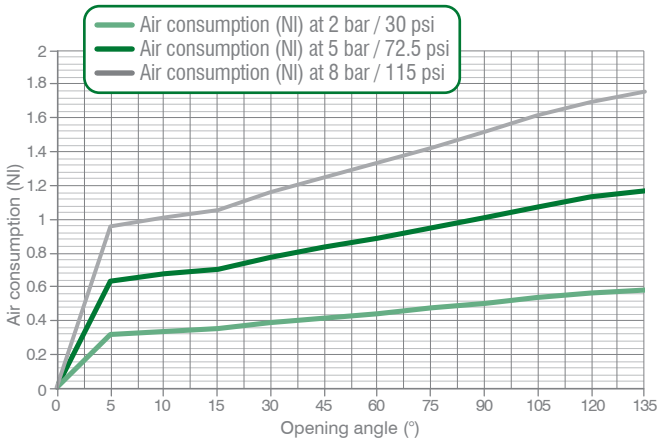
- **Holding moment**
380 N m / 280,27 lb-ft

The above data are meant for correct working conditions of the clamp with the same performance level during its life time. For applications which exceed the above data, please contact our sales representatives.

HE1P1E

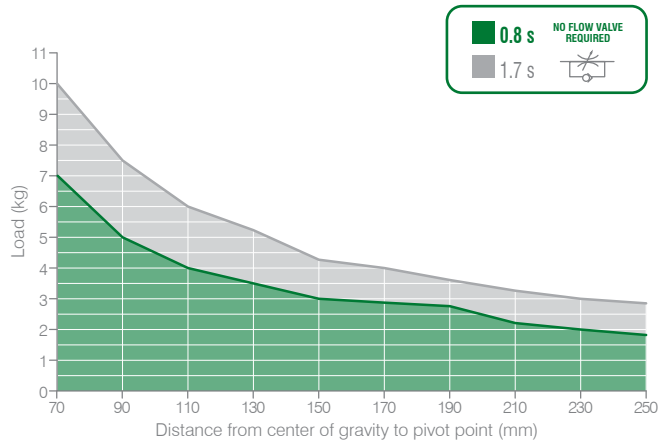
Air consumption

Air consumption for complete cycle (opening and closing)
REV. 00 - 31/03/2015



Tooling weight chart

5 bar operating pressure – 135° opening angle
REV. 00 - 17/06/2015



Clamping moment (at 5 bar / 72.5 psi)

185 N m / 136,44 lb-ft

Holding moment

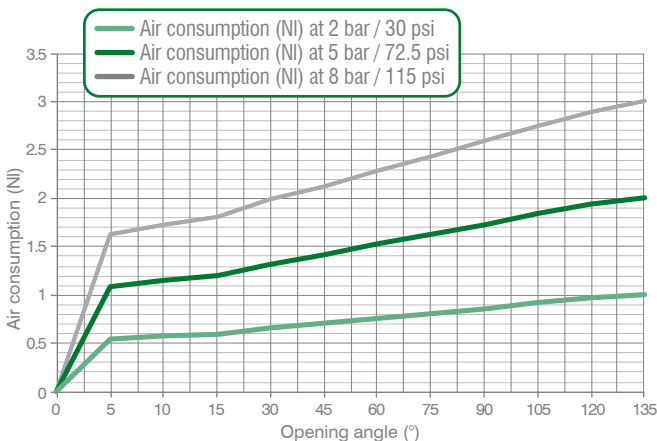
800 N m / 590,04 lb-ft

The above data are meant for correct working conditions of the clamp with the same performance level during its life time. For applications which exceed the above data, please contact our sales representatives.

HE1P2E

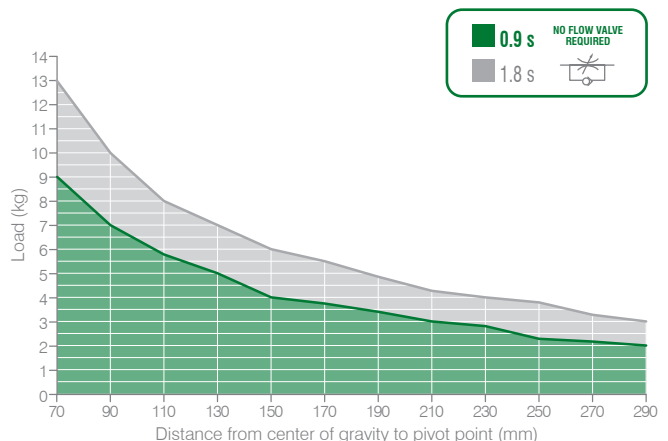
Air consumption

Air consumption for complete cycle (opening and closing)
REV. 00 - 31/03/2015



Tooling weight chart

5 bar operating pressure – 135° opening angle
REV. 00 - 17/06/2015



Clamping moment (at 5 bar / 72.5 psi)

390 N m / 287,64 lb-ft

Holding moment

1500 N m / 1.106,34 lb-ft

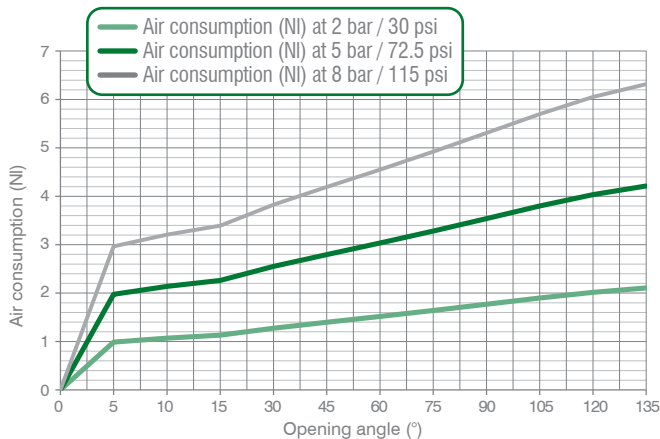
The above data are meant for correct working conditions of the clamp with the same performance level during its life time. For applications which exceed the above data, please contact our sales representatives.

HE1-Series / Functional charts (continued)

HE1P3E

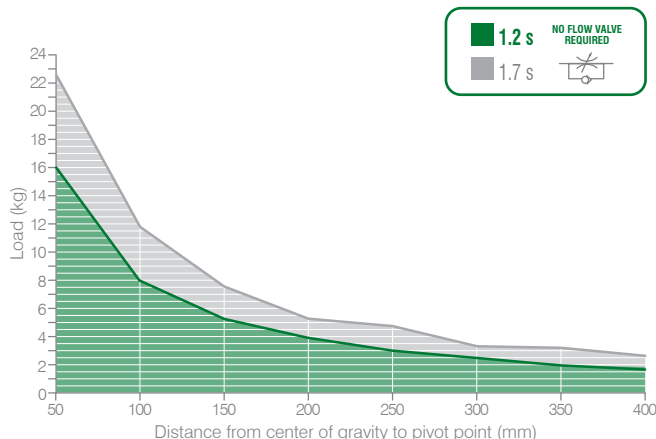
• Air consumption

Air consumption for complete cycle (opening and closing)
REV. 01 - 17/09/2024



• Tooling weight chart

5 bar operating pressure – 135° opening angle
REV. 00 - 17/06/2015



• Clamping moment (at 5 bar / 72.5 psi)

850 N m / 626,92 lb-ft

• Holding moment

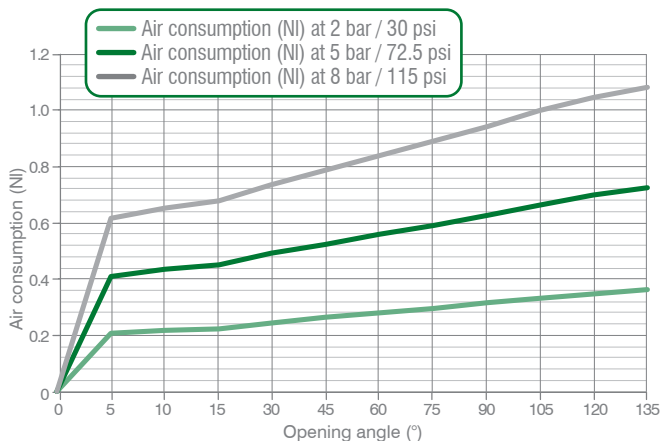
2500 N m / 1843,90 lb-ft

The above data are meant for correct working conditions of the clamp with the same performance level during its life time. For applications which exceed the above data, please contact our sales representatives.

HE1P4E

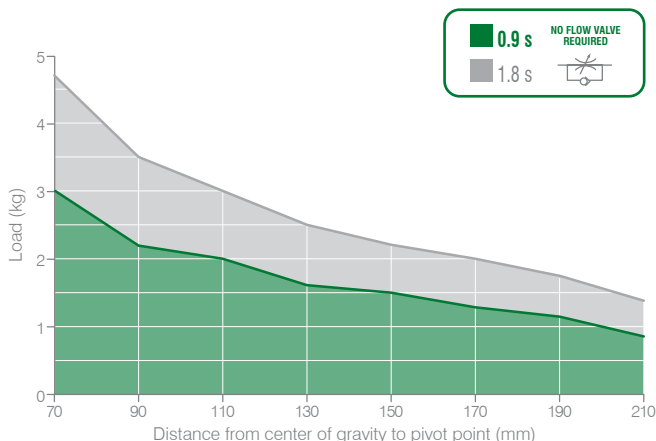
• Air consumption

Air consumption for complete cycle (opening and closing)
REV. 00 - 21/01/2016



• Tooling weight chart

5 bar operating pressure – 135° opening angle
REV. 00 - 17/06/2015



• Clamping moment (at 5 bar / 72.5 psi)

130 N m / 95,88 lb-ft

• Holding moment

380 N m / 280,27 lb-ft





The above data are meant for correct working conditions of the clamp with the same performance level during its life time. For applications which exceed the above data, please contact our sales representatives.



Ordering string

HE1-Series

HE 1 P 1 E G 1 A 01





HE	VERSION	HE = high efficiency clamp
1	MOUNTING PATTERN	1 = International mount
P	OPERATION	P = pneumatic
1	SIZE	0 = housing size 40 / cylinder Ø 32 mm 2 = housing size 63 / cylinder Ø 50 mm 1 = housing size 50 / cylinder Ø 40 mm 3 = housing size 80 / cylinder Ø 63 mm
E	SENSOR	E = electronic sensor with M12 swivel connector - PNP A = electronic sensor with M12 swivel connector - NPN N = no sensor B = electronic sensor with M8 swivel connector - PNP
G	PORTS	G = G thread – BSPP N = NPT
1	ARM MOUNT	1 =  2 =  3 =  4 = 
A	ARM MATERIAL	A = aluminum S = steel
01	CLAMP ARM TYPE	01 = wishbone, central, 15 mm offset* 04 = wishbone, central, 45 mm offset 02 = wishbone, right, 15 mm offset* 05 = wishbone, right, 45 mm offset 03 = wishbone, left, 15 mm offset* 06 = wishbone, left, 45 mm offset

* for size 80 mm > 20 mm offset

CLAMPING

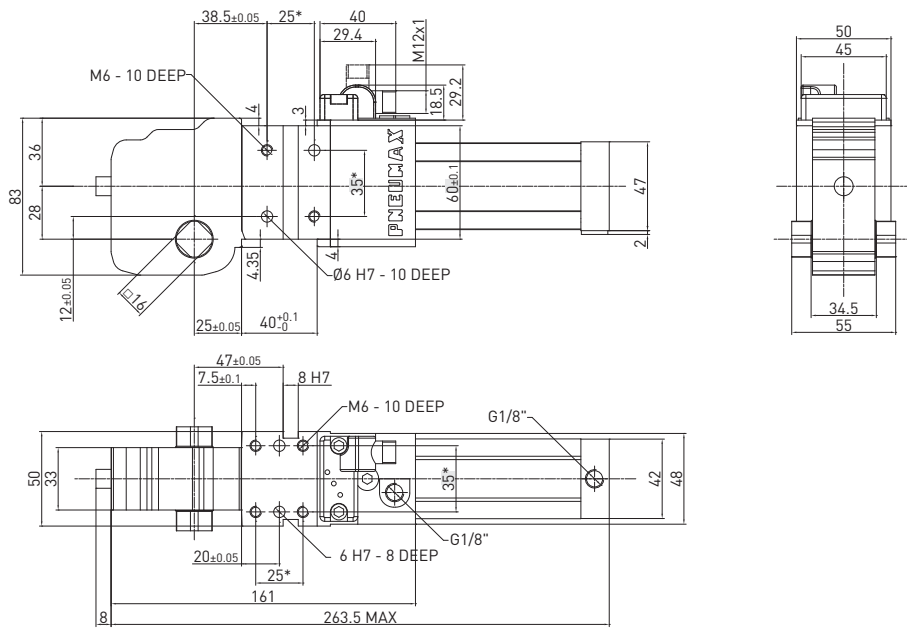
HE1-Series

HE 1 P 4 E G 1 A 54

HE	VERSION	HE = high efficiency clamp
1	MOUNTING PATTERN	1 = International mount
P	OPERATION	P = pneumatic
4	SIZE	4 = housing size 40 / cylinder Ø 32 mm Mounting pattern interchangeable to 50 and 63 mm bore clamps
E	SENSOR	E = electronic sensor with M12 swivel connector - PNP A = electronic sensor with M12 swivel connector - NPN N = no sensor B = electronic sensor with M8 swivel connector - PNP
G	PORTS	G = G thread – BSPP N = NPT
1	ARM MOUNT	1 =  2 =  3 =  4 = 
A	ARM MATERIAL	A = aluminum
54	CLAMP ARM TYPE	54 = wishbone, central, 45 mm offset 55 = wishbone, right, 45 mm offset 56 = wishbone, left, 45 mm offset

HE1P0E / High Efficiency clamp - International mount - Housing size 40 / cylinder Ø 32 mm

WEIGHT 1.36 kg



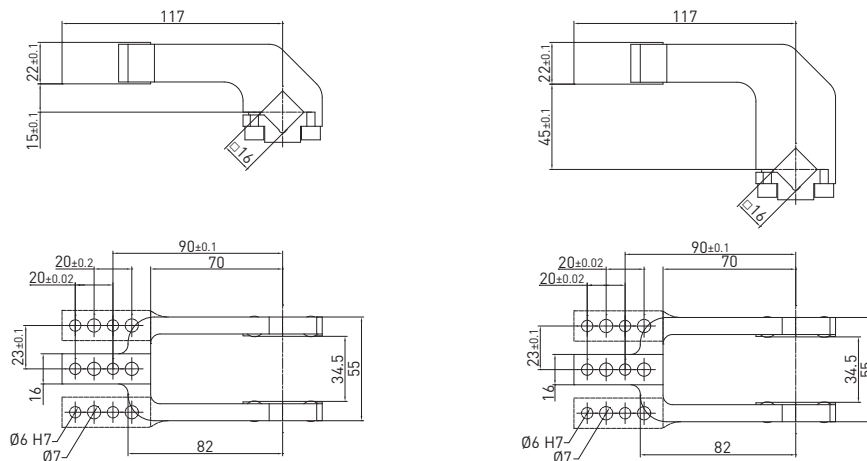
* DIMENSIONAL TOLERANCE
FOR DOWEL HOLES: ±0.02

DIMENSIONAL TOLERANCE
FOR THREADED HOLES: ±0.1

REV. 00 - 02/10/2015

Clamping arms / 16 mm shaft for clamps' size 40 mm

REV. 02 - 07/10/2015



16 mm shaft – 15 mm offset

Part no.	Material	Version	Weight (kg)	Max op. angle pos. 1	Max op. angle pos. 2	Max op. angle pos. 3	Max op. angle pos. 4
B1601	Aluminum	Central	0.24	135°	135°	N/A	45°
Q1601	Steel	Central	0.44	135°	135°	N/A	45°
B1602	Aluminum	Right	0.24	135°	135°	N/A	45°
Q1602	Steel	Right	0.46	135°	135°	N/A	45°
B1603	Aluminum	Left	0.24	135°	135°	N/A	45°
Q1603	Steel	Left	0.46	135°	135°	N/A	45°

Screws: M6x20 Tightening torque: 10 N m / 7.37 lb ft

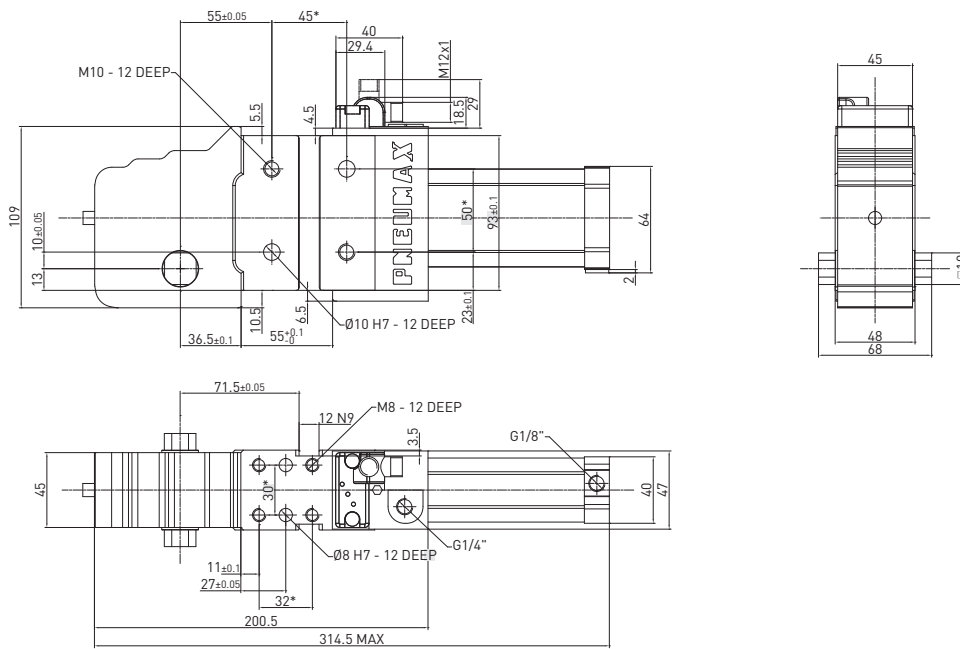
16 mm shaft – 45 mm offset

Part no.	Material	Version	Weight (kg)	Max op. angle pos. 1	Max op. angle pos. 2	Max op. angle pos. 3	Max op. angle pos. 4
B1604	Aluminum	Central	0.3	135°	135°	N/A	45°
Q1604	Steel	Central	0.55	135°	135°	N/A	45°
B1605	Aluminum	Right	0.3	135°	135°	N/A	45°
Q1605	Steel	Right	0.57	135°	135°	N/A	45°
B1606	Aluminum	Left	0.3	135°	135°	N/A	45°
Q1606	Steel	Left	0.57	135°	135°	N/A	45°

Screws: M6x20 Tightening torque: 10 N m / 7.37 lb ft

HE1P1E / High Efficiency clamp - International mount - Housing size 50 / cylinder Ø 40 mm

WEIGHT 2.53 kg



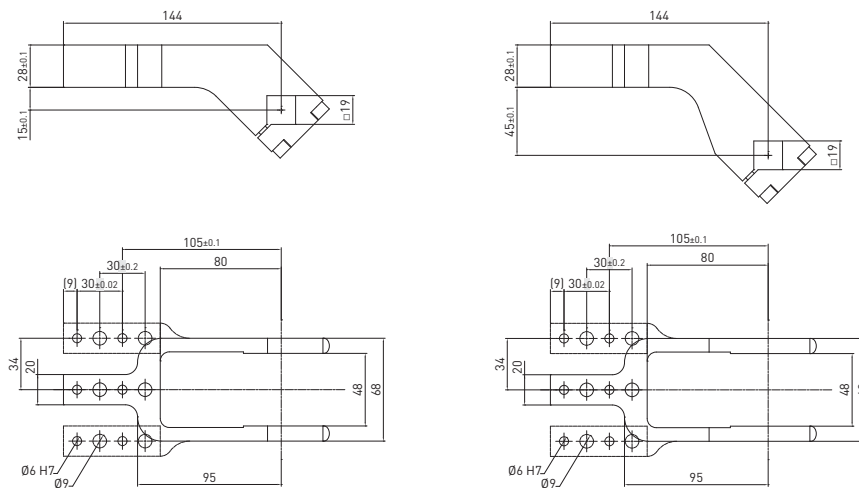
* DIMENSIONAL TOLERANCE
FOR DOWEL HOLES: ±0.02

DIMENSIONAL TOLERANCE
FOR THREADED HOLES: ±0.1

REV. 02 - 29/03/2019

Clamping arms / 19 mm shaft for clamps' size 50 mm

REV. 01 - 08/02/2019



19 mm shaft – 15 mm offset

Part no.	Material	Version	Weight (kg)	Max op. angle pos. 1	Max op. angle pos. 2	Max op. angle pos. 3	Max op. angle pos. 4
B1901	Aluminum	Central	0.41	135°	115°	135°	80°
Q1901	Steel	Central	0.71	135°	115°	135°	80°
B1902	Aluminum	Right	0.43	135°	115°	135°	80°
Q1902	Steel	Right	0.79	135°	115°	135°	80°
B1903	Aluminum	Left	0.43	135°	115°	135°	80°
Q1903	Steel	Left	0.79	135°	115°	135°	80°

Screws: M6x25 Tightening torque: 10 N m

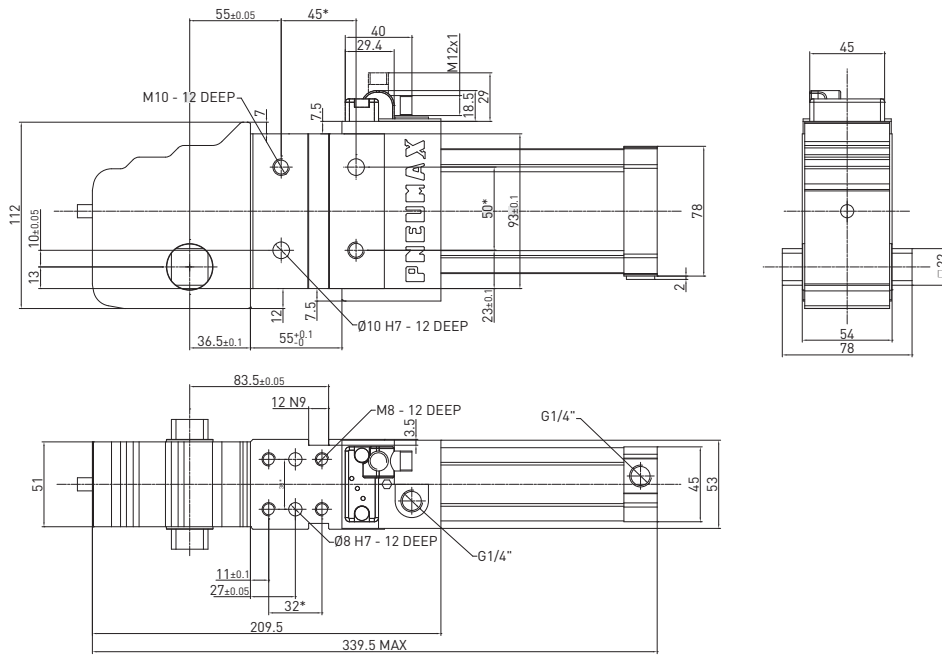
19 mm shaft – 45 mm offset

Part no.	Material	Version	Weight (kg)	Max op. angle pos. 1	Max op. angle pos. 2	Max op. angle pos. 3	Max op. angle pos. 4
B1904	Aluminum	Central	0.45	135°	135°	135°	80°
Q1904	Steel	Central	0.77	135°	135°	135°	80°
B1905	Aluminum	Right	0.46	135°	135°	135°	80°
Q1905	Steel	Right	0.81	135°	135°	135°	80°
B1906	Aluminum	Left	0.46	135°	135°	135°	80°
Q1906	Steel	Left	0.81	135°	135°	135°	80°

Screws: M6x25 Tightening torque: 10 N m

HE1P2E / High Efficiency clamp - International mount - Housing size 63 / cylinder Ø 50 mm

WEIGHT 3.3 kg

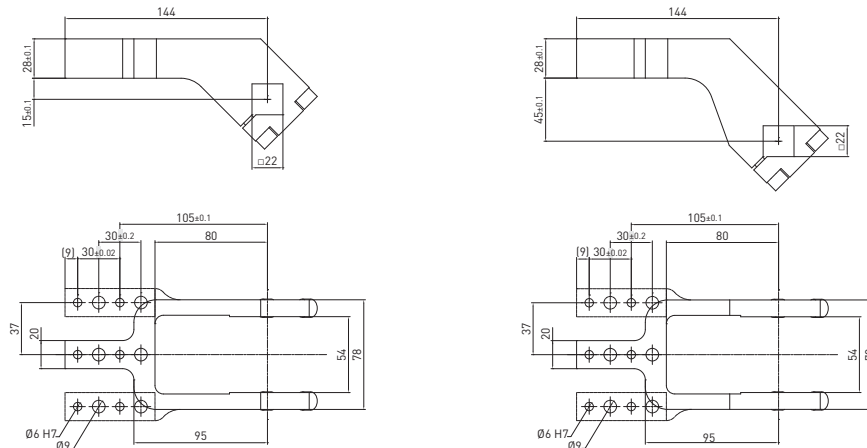


* DIMENSIONAL TOLERANCE
FOR DOWEL HOLES: ±0.02
DIMENSIONAL TOLERANCE
FOR THREADED HOLES: ±0.1

REV. 00 - 31/03/2015

Clamping arms / 22 mm shaft

REV. 01 - 08/02/2019



22 mm shaft – 15 mm offset

Part no.	Material	Version	Weight (kg)	Max op. angle pos. 1	Max op. angle pos. 2	Max op. angle pos. 3	Max op. angle pos. 4
B2201	Aluminum	Central	0.52	135°	115°	135°	80°
Q2201	Steel	Central	0.9	135°	115°	135°	80°
B2202	Aluminum	Right	0.54	135°	115°	135°	80°
Q2202	Steel	Right	0.93	135°	115°	135°	80°
B2203	Aluminum	Left	0.54	135°	115°	135°	80°
Q2203	Steel	Left	0.93	135°	115°	135°	80°

Screws: M8x25 Tightening torque: 25 N m

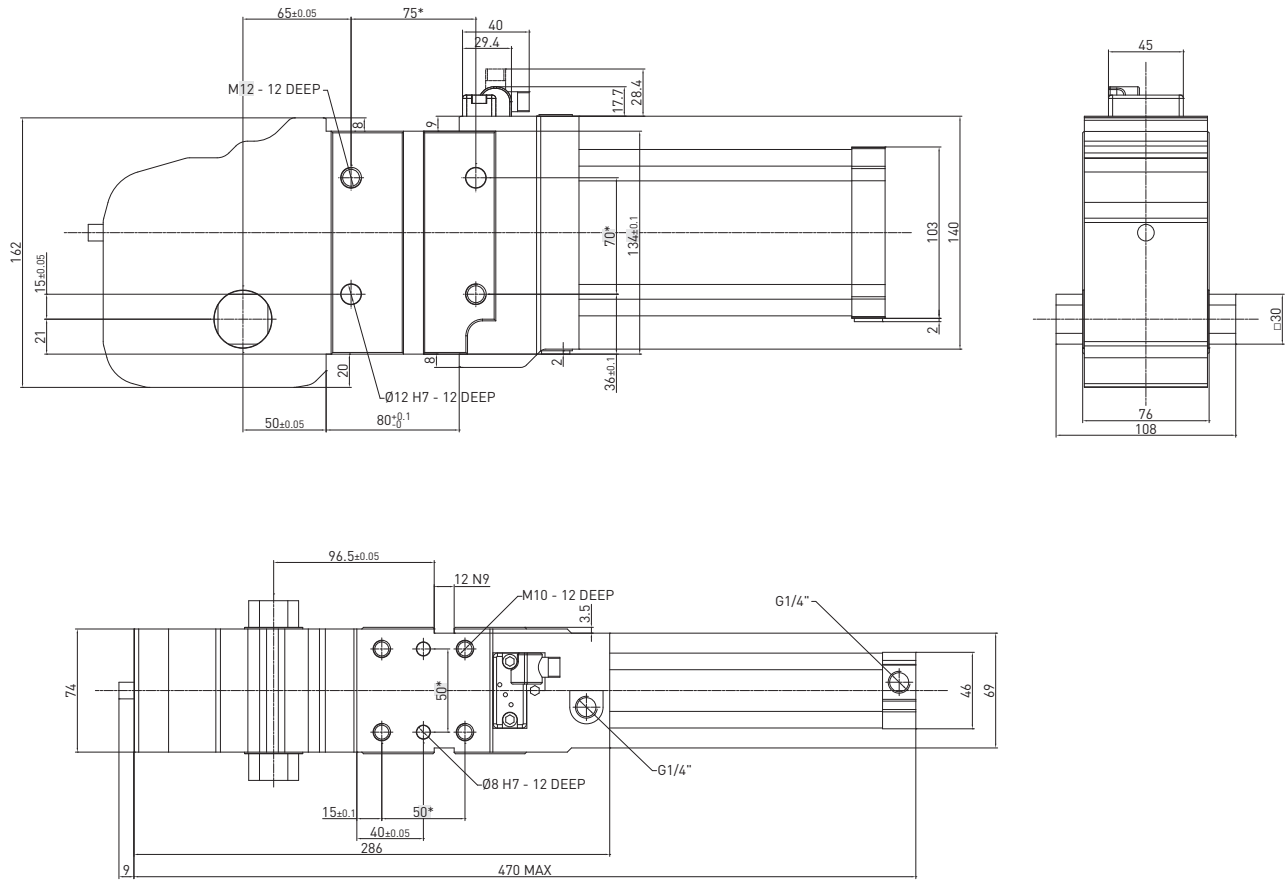
22 mm shaft – 45 mm offset

Part no.	Material	Version	Weight (kg)	Max op. angle pos. 1	Max op. angle pos. 2	Max op. angle pos. 3	Max op. angle pos. 4
B2204	Aluminum	Central	0.57	135°	135°	135°	75°
Q2204	Steel	Central	0.98	135°	135°	135°	75°
B2205	Aluminum	Right	0.58	135°	135°	135°	75°
Q2205	Steel	Right	1.02	135°	135°	135°	75°
B2206	Aluminum	Left	0.58	135°	135°	135°	75°
Q2206	Steel	Left	1.02	135°	135°	135°	75°

Screws: M8x25 Tightening torque: 25 N m

HE1P3E / High Efficiency clamp - International mount - Housing size 80 / cylinder Ø 63 mm

WEIGHT 7.55 kg



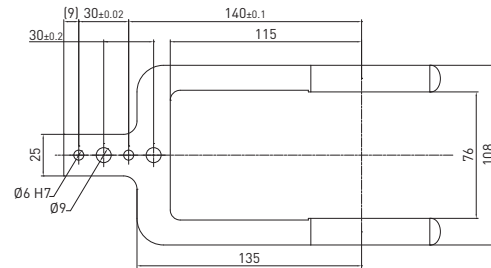
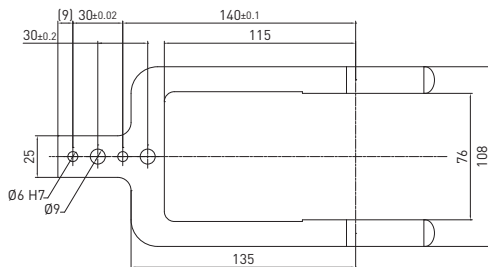
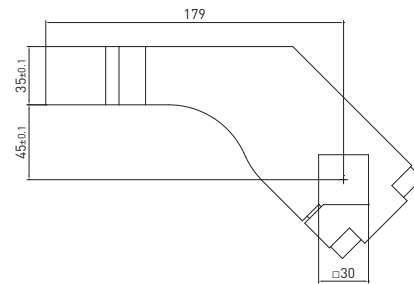
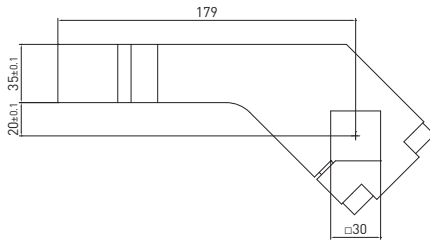
* DIMENSIONAL TOLERANCE
FOR DOWEL HOLES: ±0.02
DIMENSIONAL TOLERANCE
FOR THREADED HOLES: ±0.1

REV. 00 - 20/10/2015

Clamping arms / 30 mm shaft

REV. 01 - 08/02/2019

CLAMPING



30 mm shaft – 20 mm offset

Part no.	Material	Version	Weight (kg)	Max op. angle pos. 1	Max op. angle pos. 2	Max op. angle pos. 3	Max op. angle pos. 4
B3001	Aluminum	Central	1.1	135°	110°	135°	75°
B3002	Aluminum	Right	1.15	135°	110°	135°	75°
B3003	Aluminum	Left	1.15	135°	110°	135°	75°

Screws: M10x40 Tightening torque: 35 N m / 25.81 lb ft

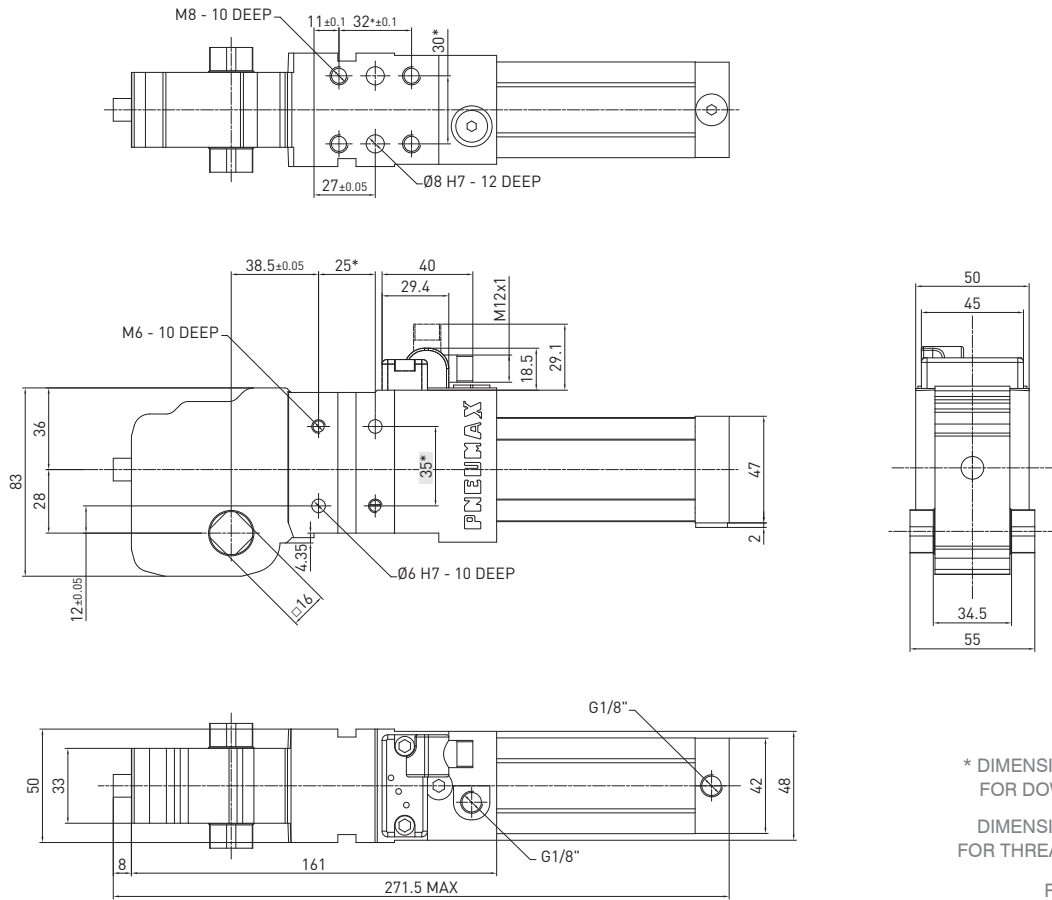
30 mm shaft – 45 mm offset

Part no.	Material	Version	Weight (kg)	Max op. angle pos. 1	Max op. angle pos. 2	Max op. angle pos. 3	Max op. angle pos. 4
B3004	Aluminum	Central	1.18	135°	110°	135°	75°
B3005	Aluminum	Right	1.2	135°	110°	135°	75°
B3006	Aluminum	Left	1.2	135°	110°	135°	75°

Screws: M10x40 Tightening torque: 35 N m / 25.81 lb ft

HE1P4EG / Power clamp - 32 mm bore cylinder and mounting pattern interchangeable to 50 and 63 mm bore clamps

WEIGHT 1.36 kg

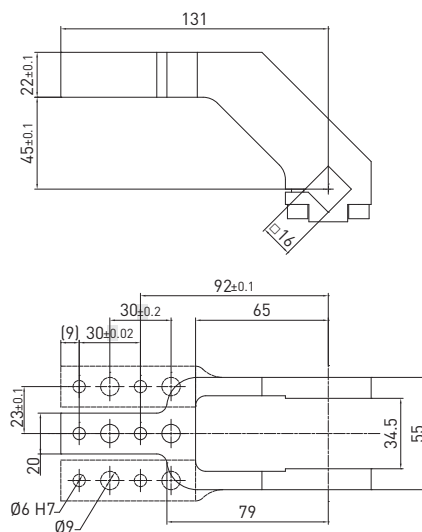


* DIMENSIONAL TOLERANCE
FOR DOWEL HOLES: ± 0.02
DIMENSIONAL TOLERANCE
FOR THREADED HOLES: ± 0.1

REV. 00 - 23/04/2019

Clamping arms / 16 mm shaft

REV. 00 - 23/04/2019



16 mm shaft – 45 mm offset

Part no.	Material	Version	Weight (kg)	Max op. angle pos. 1	Max op. angle pos. 2	Max op. angle pos. 3	Max op. angle pos. 4
B1654	Aluminum	Central	0.3	135°	135°	N/A	45°
B1655	Aluminum	Right	0.3	135°	135°	N/A	45°
B1656	Aluminum	Left	0.3	135°	135°	N/A	45°

Screws: M6x20 Tightening torque: 10 N m / 7.37 lb ft

HE2-Series

High efficiency power clamps conforming to the NAAMS Standard

GLOBAL STANDARD COMPONENTS
NAAMS



Air consumption saving up to 41%

The perfect combination between **functionality** and **efficiency**: same clamping moment, same holding moment, same overall and functional dimensions, same load capacity of a standard clamp with International and NAAMS mounts available.



Patented

CLAMPING

Technical features

Manual release button to open the linkage when air pressure is removed during setup. **Pneumatic ports on both sides** of the cylinder.

Operating features

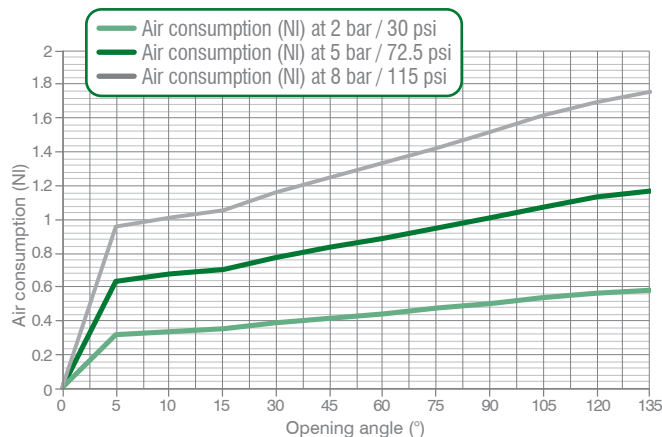
Operating pressure	from 2 to 8 bar / from 30 to 115 psi
Lubrication	all the devices are lubricated for life at the factory. Inline air lubrication isn't required

Functional charts

HE2P1E

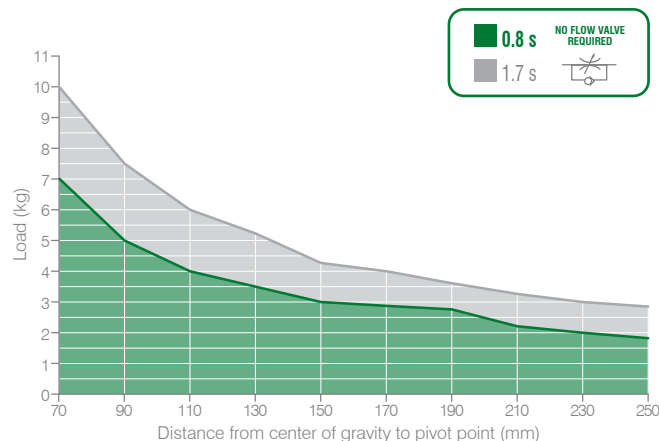
• Air consumption

Air consumption for complete cycle (opening and closing)
REV. 00 - 31/03/2015



• Tooling weight chart

5 bar operating pressure – 135° opening angle
REV. 00 - 17/06/2015



• Clamping moment (at 5 bar / 72.5 psi)

185 N m / 136,44 lb-ft

• Holding moment

800 N m / 590,04 lb-ft

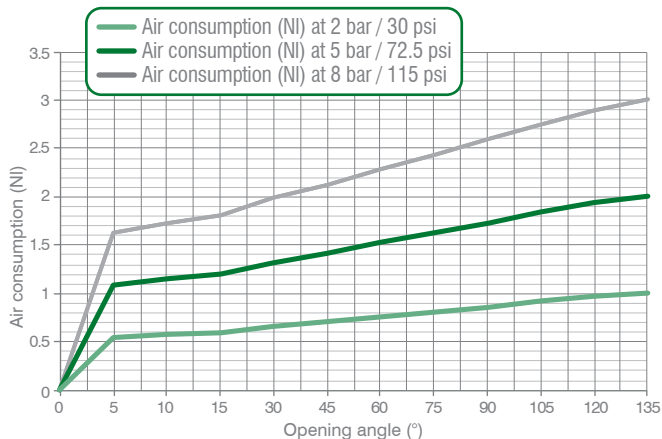
The above data are meant for correct working conditions of the clamp with the same performance level during its life time. For applications which exceed the above data, please contact our sales representatives.

HE2P2E

Air consumption

Air consumption for complete cycle (opening and closing)

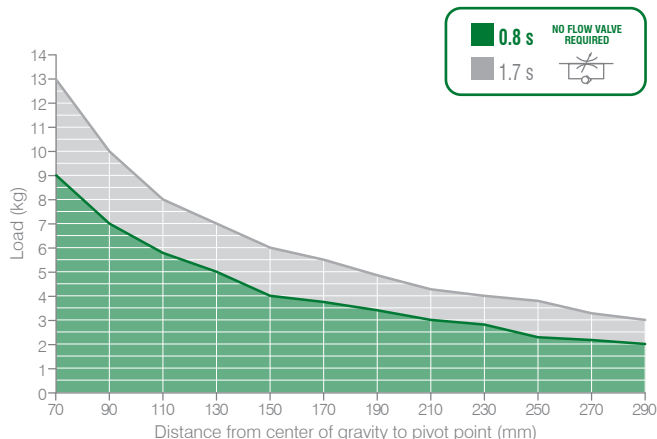
REV. 00 - 31/03/2015



Tooling weight chart

5 bar operating pressure – 135° opening angle

REV. 00 - 17/06/2015



Clamping moment (at 5 bar / 72.5 psi)

390 N m / 287,64 lb-ft

Holding moment

1500 N m / 1.106,34 lb-ft

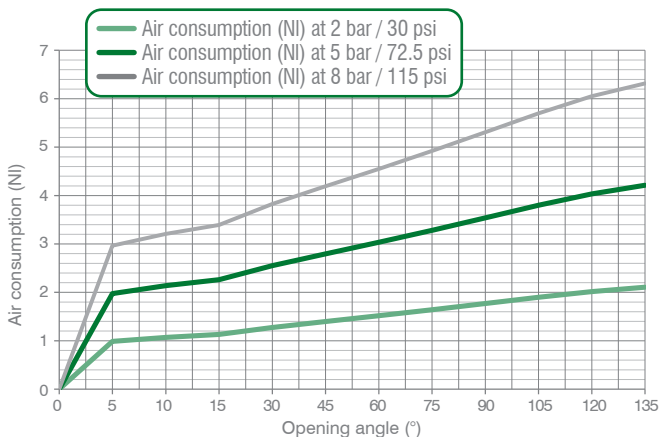
The above data are meant for correct working conditions of the clamp with the same performance level during its life time. For applications which exceed the above data, please contact our sales representatives.

HE2P3E

Air consumption

Air consumption for complete cycle (opening and closing)

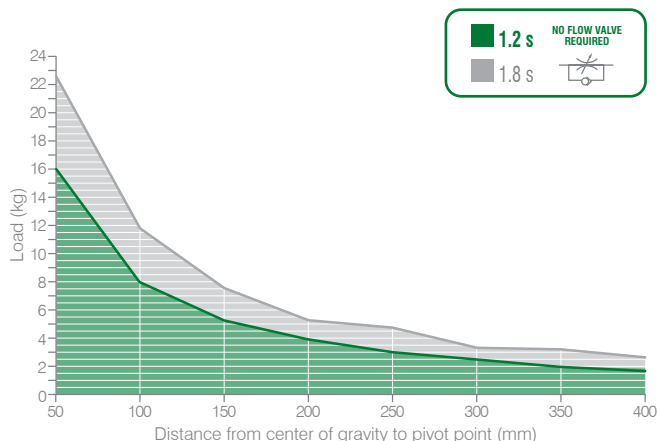
REV. 01 - 17/09/2024



Tooling weight chart

5 bar operating pressure – 135° opening angle

REV. 00 - 17/06/2015



Clamping moment (at 5 bar / 72.5 psi)

850 N m / 626,92 lb-ft

Holding moment

2500 N m / 1.843,90 lb-ft

The above data are meant for correct working conditions of the clamp with the same performance level during its life time. For applications which exceed the above data, please contact our sales representatives.

HE2-Series / Ordering string

HE2-Series

HE 2 P 2 E G L

CLAMPING

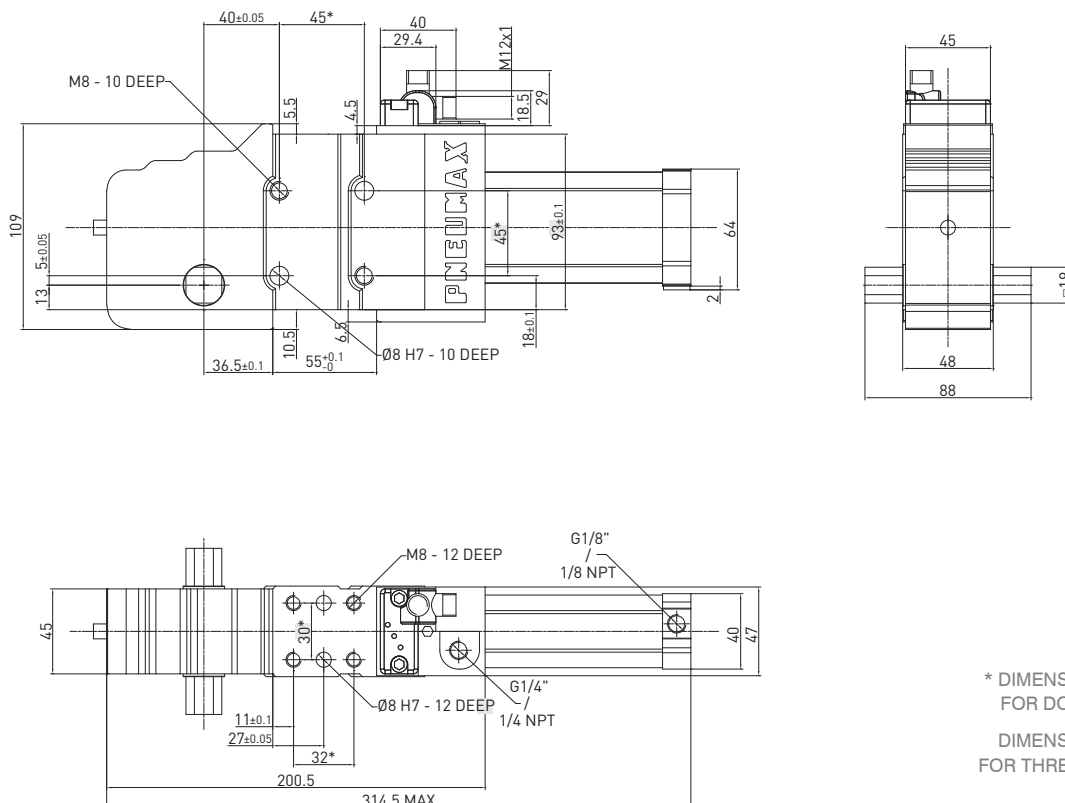
HE	VERSION	HE = high efficiency clamp
2	MOUNTING PATTERN	2 = NAAMS Standard
P	OPERATION	P = pneumatic
2	SIZE	1 = housing size 50 / cylinder Ø 40 mm 3 = housing size 80 / cylinder Ø 63 mm 2 = housing size 63 / cylinder Ø 50 mm
E	SENSOR	E = electronic sensor with M12 swivel connector - PNP A = electronic sensor with M12 swivel connector - NPN N = no sensor B = electronic sensor with M8 swivel connector - PNP
G	PORTS	G = G thread – BSPP N = NPT
L	SHAFT OUTPUT	– = dual output L = single output - LEFT R = single output - RIGHT



Please see the charts in the datasheets for arm position as well as for max. opening angle.
NAAMS clamping arms to be ordered separately
*for size 3 > 20 mm offset

HE2P1E / High Efficiency clamp - NAAMS Std - Housing size 50/cylinder Ø 40 mm

WEIGHT 2.5 kg

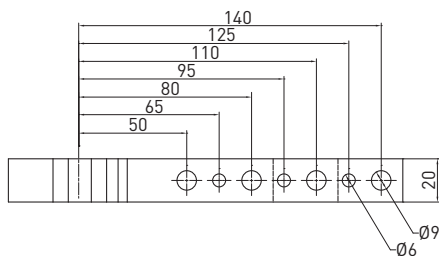
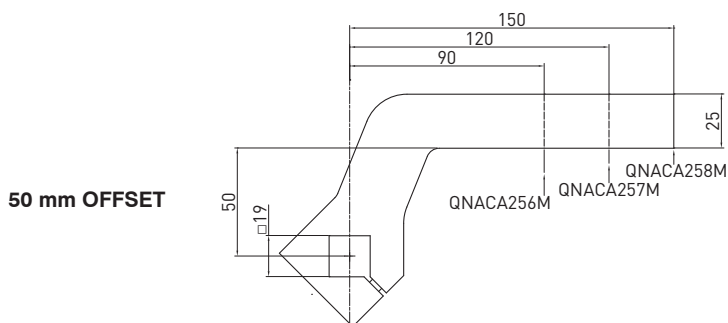
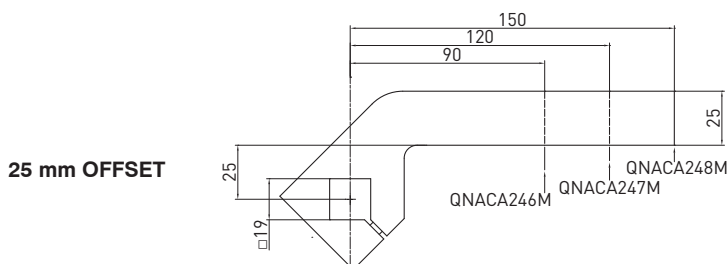
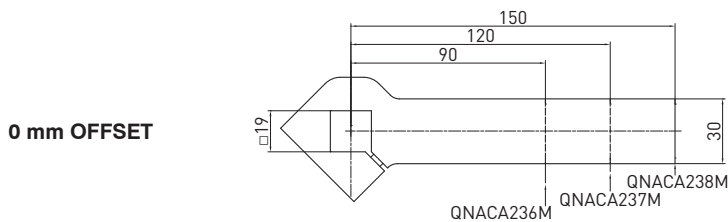


* DIMENSIONAL TOLERANCE FOR DOWEL HOLES: ±0.02
DIMENSIONAL TOLERANCE FOR THREADED HOLES: ±0.1

REV. 02 - 29/03/2019

Clamping arms / 19 mm shaft - NAAMS Std

REV 03 - 29/03/2019



19 mm shaft – 0 mm offset

Part no.	Material	Length (mm)	Weight (kg)	Max op. angle pos. 1	Max op. angle pos. 2	Max op. angle pos. 3	Max op. angle pos. 4
QNACA236M	Steel	90	0.4	135°	135°	135°	135°
QNACA237M	Steel	120	0.49	135°	135°	135°	135°
QNACA238M	Steel	150	0.58	135°	135°	135°	135°

Screws: M6x25 Tightening torque: 10 N m / 7.37 lb-ft

19 mm shaft – 25 mm offset

Part no.	Material	Length (mm)	Weight (kg)	Max op. angle pos. 1	Max op. angle pos. 2	Max op. angle pos. 3	Max op. angle pos. 4
QNACA246M	Steel	90	0.44	135°	135°	135°	135°
QNACA247M	Steel	120	0.52	135°	135°	135°	135°
QNACA248M	Steel	150	0.6	135°	135°	135°	135°

Screws: M6x25 Tightening torque: 10 N m / 7.37 lb-ft

19 mm shaft – 50 mm offset

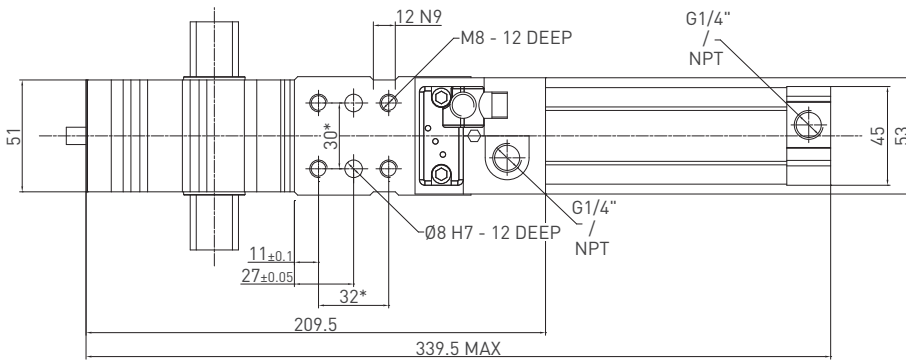
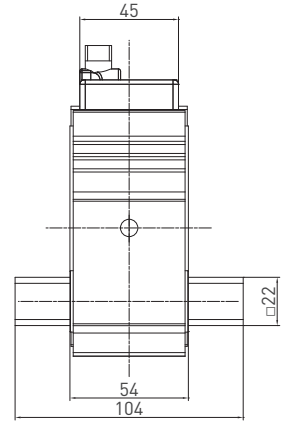
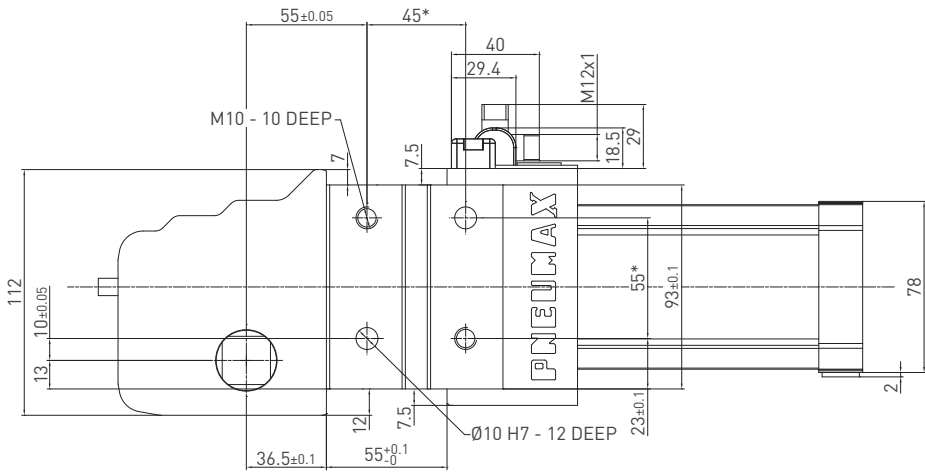
Part no.	Material	Length (mm)	Weight (kg)	Max op. angle pos. 1	Max op. angle pos. 2	Max op. angle pos. 3	Max op. angle pos. 4
QNACA256M	Steel	90	0.52	135°	135°	135°	135°
QNACA257M	Steel	120	0.6	135°	135°	135°	135°
QNACA258M	Steel	150	0.68	135°	135°	135°	135°

Screws: M6x25 Tightening torque: 10 N m / 7.37 lb-ft

HE2P2E / High efficiency clamp - NAAMS Std - Housing size 63 / cylinder Ø 50 mm

WEIGHT 2.8 kg

CLAMPING



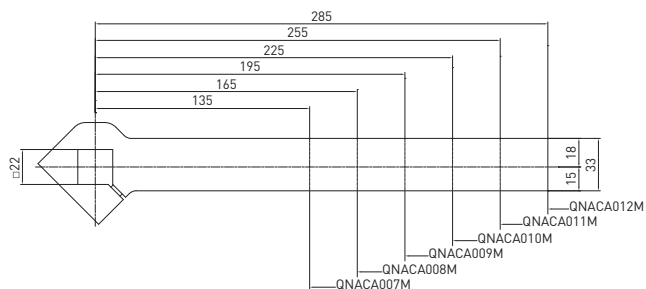
* DIMENSIONAL TOLERANCE
FOR DOWEL HOLES: ± 0.02
DIMENSIONAL TOLERANCE
FOR THREADED HOLES: ± 0.1

REV. 00 - 02/10/2015

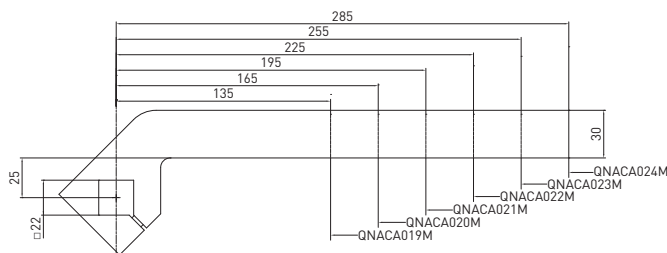
Clamping arms / 22 mm shaft - NAAMS Std

REV 02 - 29/03/2019

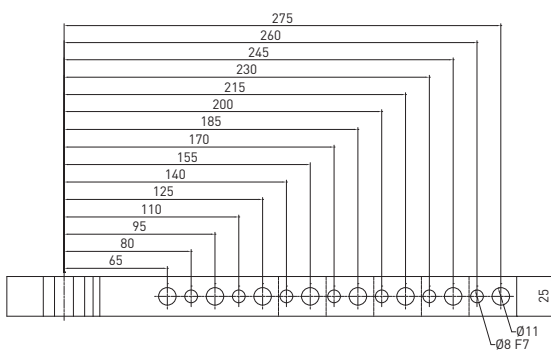
0 mm OFFSET



25 mm OFFSET



CLAMPING



22 mm shaft – 0 mm offset

Part no.	Material	Length (mm)	Weight (kg)	Max op. angle pos. 1	Max op. angle pos. 2	Max op. angle pos. 3	Max op. angle pos. 4
QNACA007M	Steel	135	0.72	135°	135°	135°	135°
QNACA008M	Steel	165	0.83	135°	135°	135°	135°
QNACA009M	Steel	195	0.94	135°	135°	135°	135°
QNACA010M	Steel	225	1.05	135°	135°	135°	135°
QNACA011M	Steel	255	1.16	135°	135°	135°	135°
QNACA012M	Steel	285	1.28	135°	135°	135°	135°

Screws: M8x25 Tightening torque: 25 N m / 18.43 lb ft

22 mm shaft – 25 mm offset

Part no.	Material	Length (mm)	Weight (kg)	Max op. angle pos. 1	Max op. angle pos. 2	Max op. angle pos. 3	Max op. angle pos. 4
QNACA019M	Steel	135	0.84	135°	135°	135°	135°
QNACA020M	Steel	165	0.95	135°	135°	135°	135°
QNACA021M	Steel	195	1.05	135°	135°	135°	135°
QNACA022M	Steel	225	1.16	135°	135°	135°	135°
QNACA023M	Steel	255	1.26	135°	135°	135°	135°
QNACA024M	Steel	285	1.37	135°	135°	135°	135°

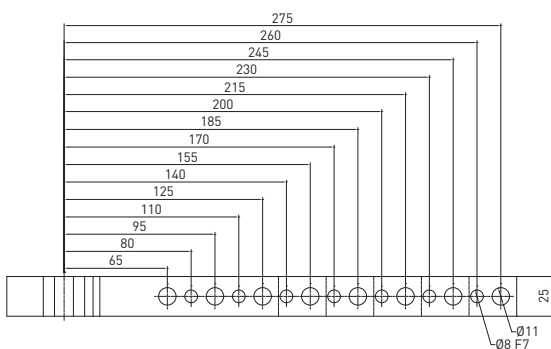
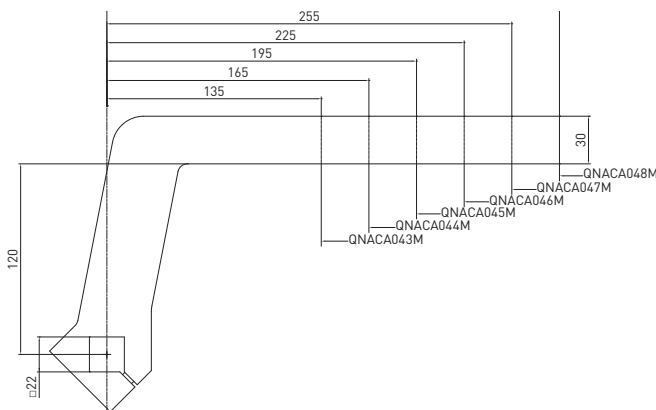
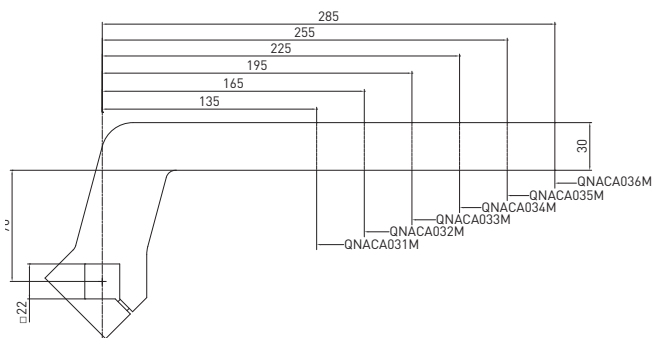
Screws: M8x25 Tightening torque: 25 N m / 18.43 lb ft

Clamping arms / 22 mm shaft - NAAMS Std

REV. 01 - 31/07/2015

70 mm OFFSET

120 mm OFFSET



22 mm shaft – 70 mm offset

Part no.	Material	Length (mm)	Weight (kg)	Max op. angle pos. 1	Max op. angle pos. 2	Max op. angle pos. 3	Max op. angle pos. 4
QNACA031M	Steel	135	1.05	135°	135°	135°	135°
QNACA032M	Steel	165	1.16	135°	135°	135°	135°
QNACA033M	Steel	195	1.27	135°	135°	135°	135°
QNACA034M	Steel	225	1.38	135°	135°	135°	135°
QNACA035M	Steel	255	1.49	135°	135°	135°	135°
QNACA036M	Steel	285	1.6	135°	135°	135°	135°

Screws: M8X25 Tightening torque: 25 N m / 18.43 lb ft

22 mm shaft – 120 mm offset

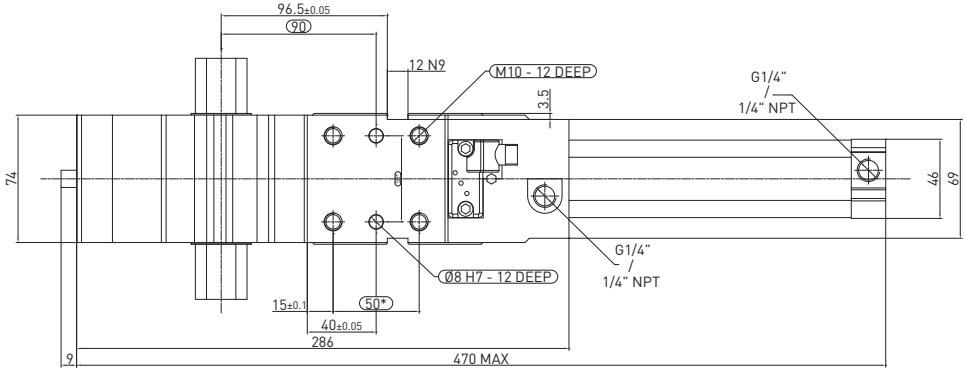
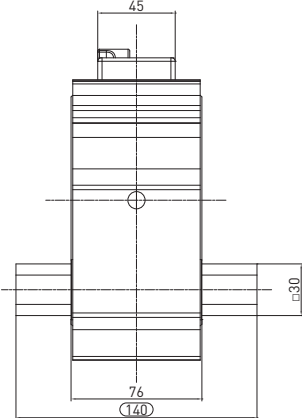
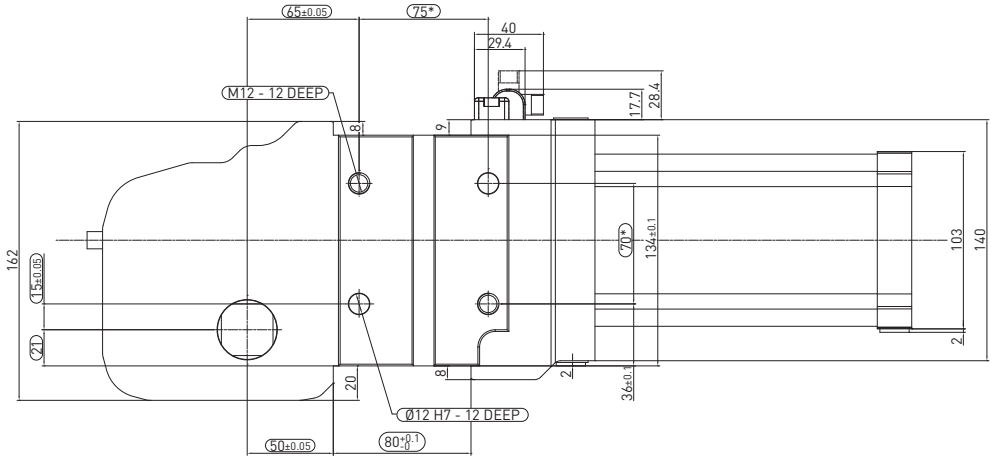
Part no.	Material	Length (mm)	Weight (kg)	Max op. angle pos. 1	Max op. angle pos. 2	Max op. angle pos. 3	Max op. angle pos. 4
QNACA043M	Steel	135	1.27	135°	135°	135°	135°
QNACA044M	Steel	165	1.37	135°	135°	135°	135°
QNACA045M	Steel	195	1.48	135°	135°	135°	135°
QNACA046M	Steel	225	1.58	135°	135°	135°	135°
QNACA047M	Steel	255	1.69	135°	135°	135°	135°
QNACA048M	Steel	285	1.8	135°	135°	135°	135°

Screws: M8X25 Tightening torque: 25 N m / 18.43 lb ft



HE2P3E / High Efficiency clamp - NAAMS Std - Housing size 80 / cylinder Ø 63 mm

WEIGHT 7.76 kg



* DIMENSIONAL TOLERANCE
FOR DOWEL HOLES: ±0.02
DIMENSIONAL TOLERANCE
FOR THREADED HOLES: ±0.1

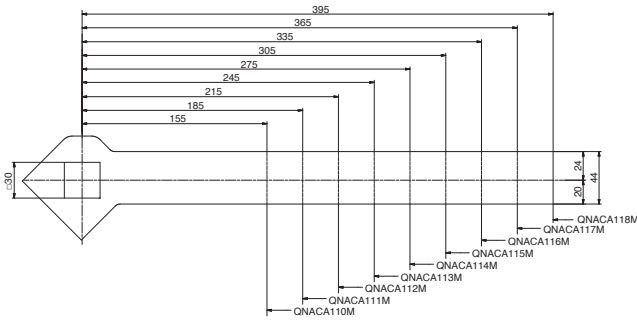
REV. 00 - 20/10/2015

CLAMPING

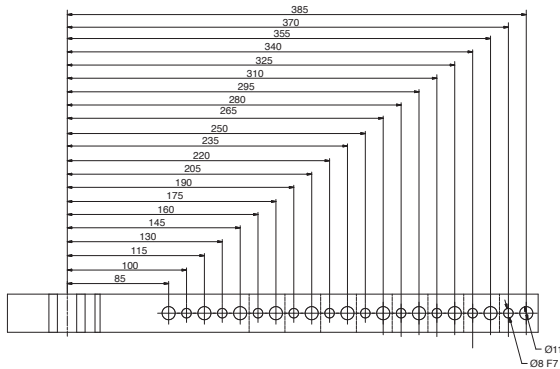
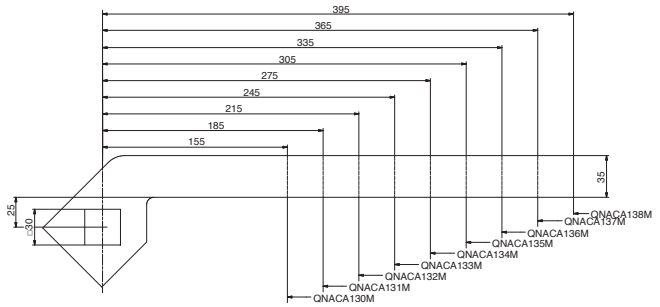
Clamping arms / 30 mm shaft - NAAMS Std

REV.04 - 28/06/2024

0 mm OFFSET



25 mm OFFSET



30 mm shaft – 0 mm offset

Part no.	Material	Length (mm)	Weight (kg)	Max op. angle pos. 1	Max op. angle pos. 2	Max op. angle pos. 3	Max op. angle pos. 4
QNACA110M	Steel	155	1.41	135°	135°	135°	135°
QNACA111M	Steel	185	1.58	135°	135°	135°	135°
QNACA112M	Steel	215	1.76	135°	135°	135°	135°
QNACA113M	Steel	245	1.93	135°	135°	135°	135°
QNACA114M	Steel	275	2.1	135°	135°	135°	135°
QNACA115M	Steel	305	2.27	135°	135°	135°	135°
QNACA116M	Steel	335	2.45	135°	135°	135°	135°
QNACA117M	Steel	365	2.62	135°	135°	135°	135°
QNACA118M	Steel	395	2.8	135°	135°	135°	135°

Screws: M10x40 Tightening torque: 35 N m / 25.81 lb ft

30 mm shaft – 25 mm offset

Part no.	Material	Length (mm)	Weight (kg)	Max op. angle pos. 1	Max op. angle pos. 2	Max op. angle pos. 3	Max op. angle pos. 4
QNACA130M	Steel	155	1.24	135°	135°	135°	135°
QNACA131M	Steel	185	1.39	135°	135°	135°	135°
QNACA132M	Steel	215	1.54	135°	135°	135°	135°
QNACA133M	Steel	245	1.69	135°	135°	135°	135°
QNACA134M	Steel	275	1.84	135°	135°	135°	135°
QNACA135M	Steel	305	2	135°	135°	135°	135°
QNACA136M	Steel	335	2.14	135°	135°	135°	135°
QNACA137M	Steel	365	2.29	135°	135°	135°	135°
QNACA138M	Steel	395	2.45	135°	135°	135°	135°

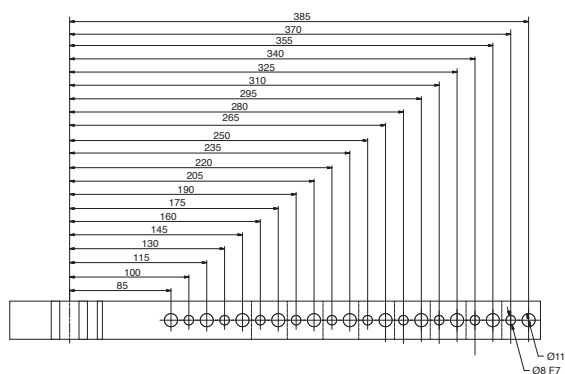
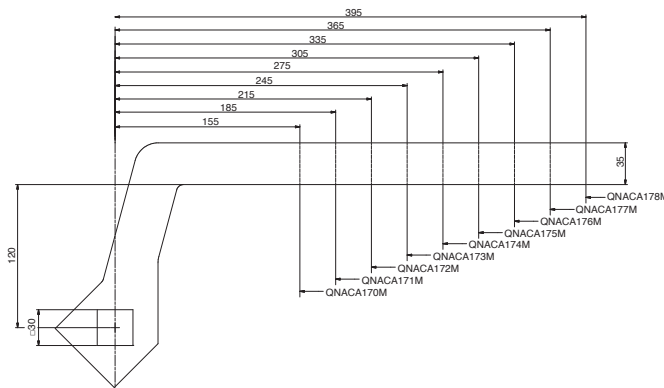
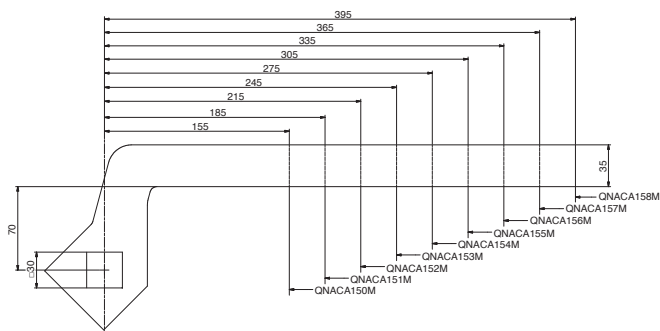
Screws: M10x40 Tightening torque: 35 N m / 25.81 lb ft

Clamping arms / 30 mm shaft - NAAMS Std

REV.04 - 28/06/2024

70 mm OFFSET

120 mm OFFSET



30 mm shaft – 70 mm offset

Part no.	Material	Length (mm)	Weight (kg)	Max op. angle pos. 1	Max op. angle pos. 2	Max op. angle pos. 3	Max op. angle pos. 4
QNACA150M	Steel	155	1.7	135°	135°	135°	135°
QNACA151M	Steel	185	1.85	135°	135°	135°	135°
QNACA152M	Steel	215	2	135°	135°	135°	135°
QNACA153M	Steel	245	2.15	135°	135°	135°	135°
QNACA154M	Steel	275	2.3	135°	135°	135°	135°
QNACA155M	Steel	305	2.45	135°	135°	135°	135°
QNACA156M	Steel	335	2.6	135°	135°	135°	135°
QNACA157M	Steel	365	2.76	135°	135°	135°	135°
QNACA158M	Steel	395	2.92	135°	135°	135°	135°

Screws: M10x40 Tightening torque: 35 N m / 25.81 lb ft

30 mm shaft – 120 mm offset

Part no.	Material	Length (mm)	Weight (kg)	Max op. angle pos. 1	Max op. angle pos. 2	Max op. angle pos. 3	Max op. angle pos. 4
QNACA170M	Steel	155	1.97	135°	135°	135°	135°
QNACA171M	Steel	185	2.12	135°	135°	135°	135°
QNACA172M	Steel	215	2.27	135°	135°	135°	135°
QNACA173M	Steel	245	2.42	135°	135°	135°	135°
QNACA174M	Steel	275	2.57	135°	135°	135°	135°
QNACA175M	Steel	305	2.72	135°	135°	135°	135°
QNACA176M	Steel	335	2.87	135°	135°	135°	135°
QNACA177M	Steel	365	3.02	135°	135°	135°	135°
QNACA178M	Steel	395	3.19	135°	135°	135°	135°

Screws: M10x40 Tightening torque: 35 N m / 25.81 lb ft

CLAMPING

CX-Series

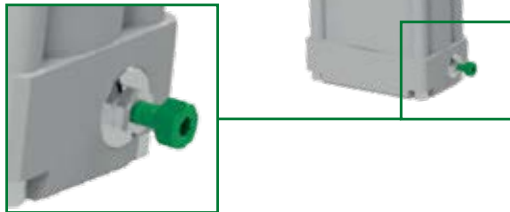
CLAMPING

INTERNATIONAL
MOUNT

GLOBAL STANDARD COMPONENTS
NAAMS



Patented



Power clamps for double workpiece identification

International mount - Naams mount

For critical applications, where it is required to identify the unwilling presence of two metal sheets in the process and to avoid their clamping. This built-in device **allows a reliable double workpiece identification.**

The below end cap shows an **adjustment screw**: by loosening the screw, the inlet pressure is adjusted, i.e. reduced to the minimum required to guarantee the **clamping of a single workpiece**, not of two metal sheets. The toggle linkage is therefore prevented from engaging (no toggle lock) and consequently the sensor will not detect the closed position and will signal the anomaly. Once the clamp is properly adjusted from the below end cap screw, to be able to clamp a single workpiece, **it will be able to detect the false condition in case a second workpiece is inadvertently set on the tooling.**

Instructions

The adjustment cannot be performed without air.

- 1 Install the clamp on the fixture by using all 4 screws and dowels. If mounted on the side, use the key slot.
- 2 Check the shimming and make sure that that with 5/ 5.5 bars the clamp is operating smoothly (0.3 or less shimming is optimal).
- 3 Place the workpiece and clamp it. Make sure you get the red led signal for closed position.
- 4 Open the clamp.
- 5 Use, further to the workpiece, a thickness gauge (a feeler or a shim) whose thickness is half the thickness of the workpiece.
- 6 Close the clamp and tighten the screw slightly. Operate the clamp and check if the closed position signal is lost. In this way, the pressure is reduced and the cylinder won't get enough push force to engage the toggle linkage.
- 7 Open and close a few times, then double check with two workpieces and no red led light will be on, in such a condition.
- 8 If ok, tighten the bolt behind the screw to avoid its loosening.



Technical features

Manual release button to open the linkage when air pressure is removed during setup. **Pneumatic ports on both sides** of the cylinder.

Operating features

Operating pressure from 2 to 8 bar / from 30 to 115 psi

Lubrication all the devices are lubricated for life at the factory. Inline air lubrication isn't required

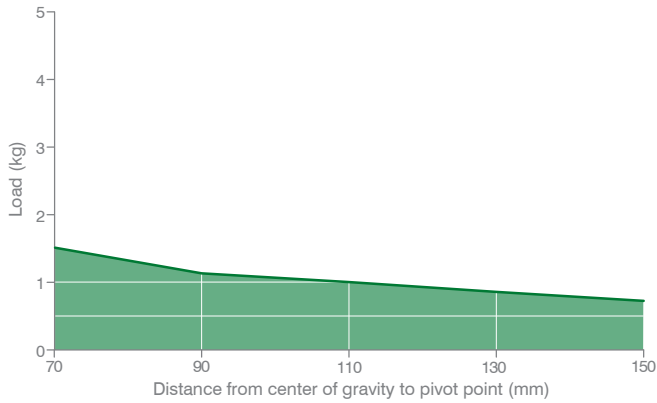


Functional charts

Size 40 mm

- Tooling weight chart**

5 bar operating pressure – 135° opening angle
REV. 00 - 17/06/2015



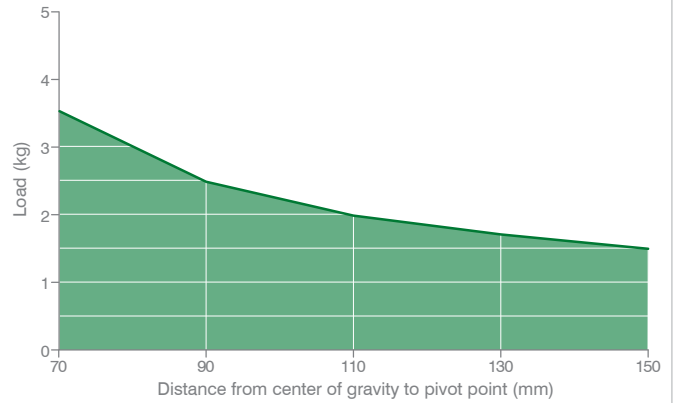
- Holding moment**

380 N m / 280,27 lb-ft

Size 50 mm

- Tooling weight chart**

5 bar operating pressure – 135° opening angle
REV. 00 - 17/06/2015



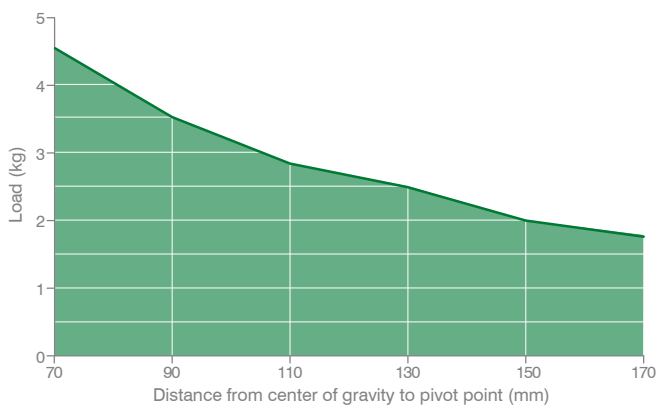
- Holding moment**

800 N m / 590,04 lb-ft

Size 63 mm

- Tooling weight chart**

5 bar operating pressure – 135° opening angle
REV. 00 - 17/06/2015



- Holding moment**

1.500 N m / 1.106,34 lb-ft

CX-Series / Ordering string

CX-Series

C 1 X 40 E G 1 A 01

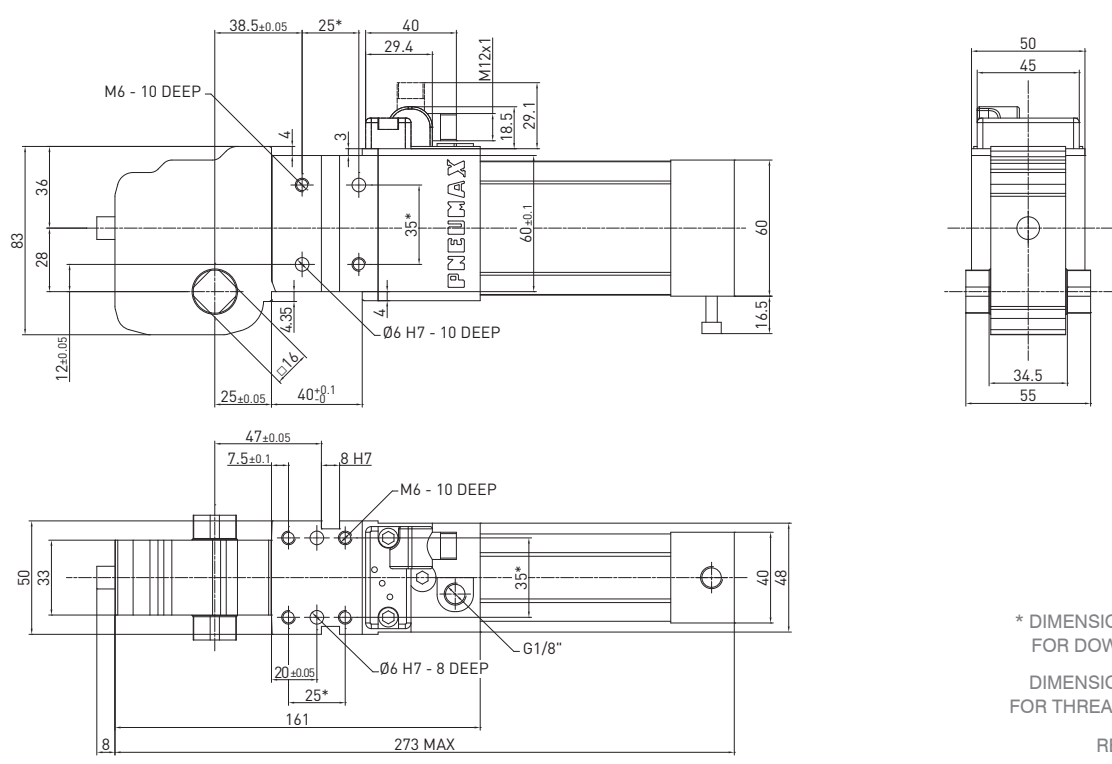
CLAMPING

C	VERSION	C = clamp
1	MOUNTING PATTERN	1 = International mount 2 = NAAMS Standard
X	OPERATION	X = double workpiece identification
40	SIZE	40 = 40 mm 63 = Ø 63 mm 50 = Ø 50 mm
E	SENSOR	E = electronic sensor with M12 swivel connector - PNP A = electronic sensor with M12 swivel connector - NPN N = no sensor B = electronic sensor with M8 swivel connector - PNP
G	PORTS	G = G thread – BSPP N = NPT
1	ARM MOUNT	1 = 2 = 3 = 4 =
A	ARM MATERIAL	A = aluminum S = steel
01	CLAMP ARM TYPE	01 = wishbone, central, 15 mm offset 02 = wishbone, right, 15 mm offset 03 = wishbone, left, 15 mm offset 04 = wishbone, central, 45 mm offset 05 = wishbone, right, 45 mm offset 06 = wishbone, left, 45 mm offset

Please see the charts in the datasheets for arm position as well as for max. opening angle. NAAMS clamping arms to be ordered separately

C1X40E / Clamp with double workpiece identification - International mount - 40 mm bore

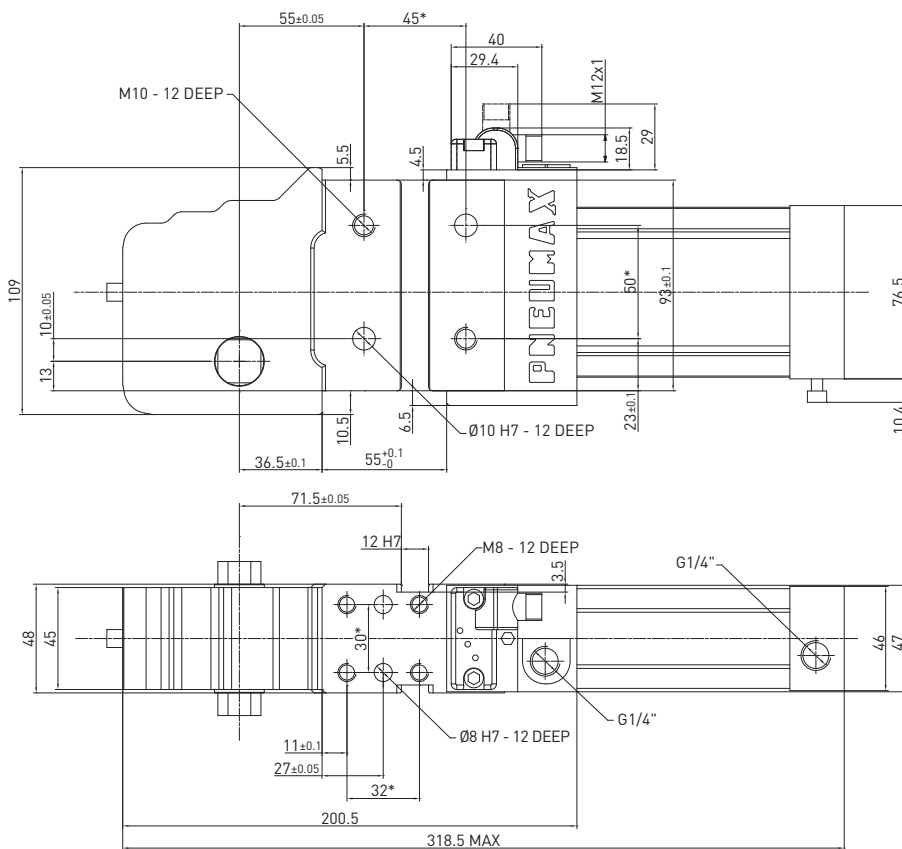
WEIGHT 1.6 kg



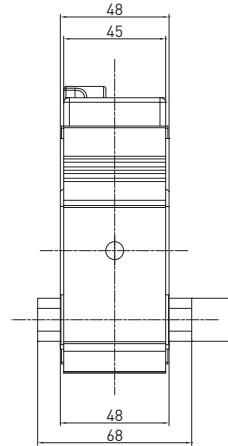
* DIMENSIONAL TOLERANCE FOR DOWEL HOLES: ±0.02
DIMENSIONAL TOLERANCE FOR THREADED HOLES: ±0.1

REV. 00 - 20/08/2018

C1X50E / Clamp with double workpiece identification - International mount - 50 mm bore



WEIGHT 2.9 kg



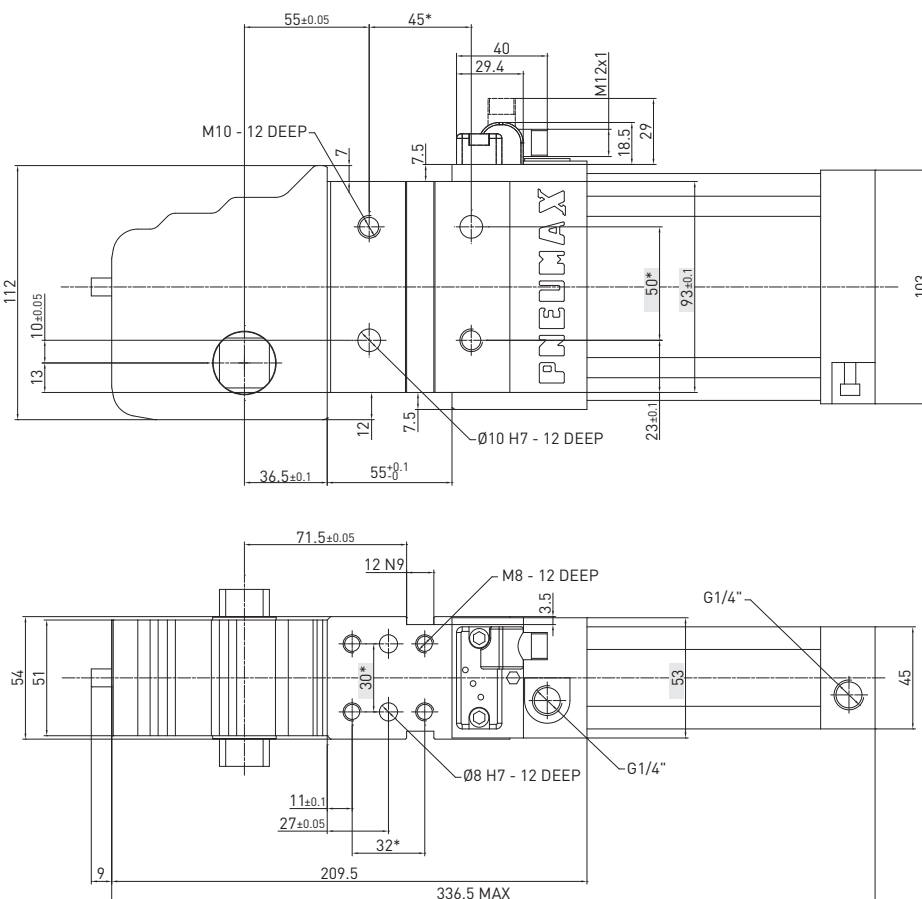
* DIMENSIONAL TOLERANCE FOR DOWEL HOLES: ±0.02

DIMENSIONAL TOLERANCE FOR THREADED HOLES: ±0.1

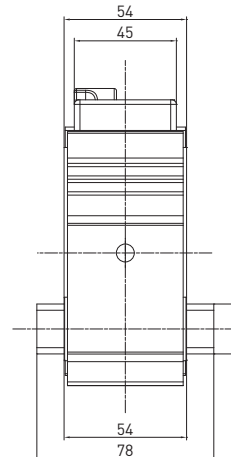
REV. 00 - 20/08/2018

CLAMPING

C1X63E / Clamp with double workpiece identification - International mount - 63 mm bore



WEIGHT 3.7 kg



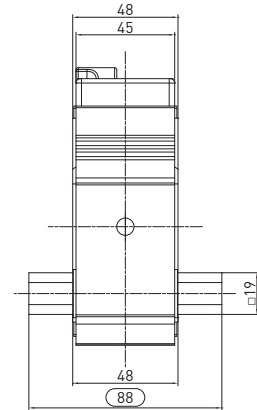
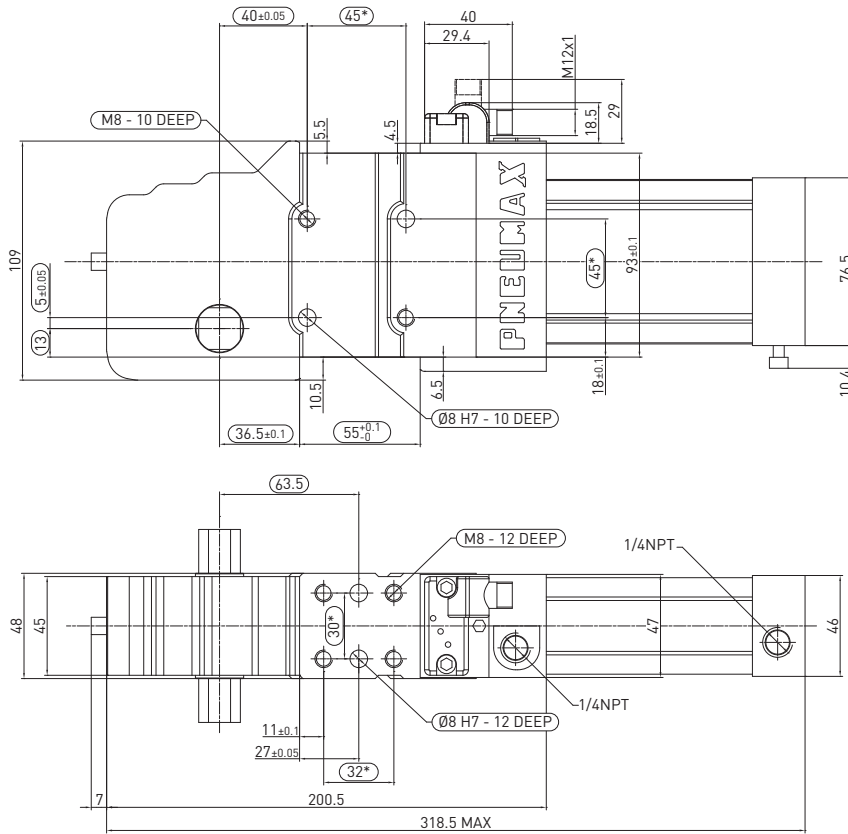
* DIMENSIONAL TOLERANCE FOR DOWEL HOLES: ±0.02

DIMENSIONAL TOLERANCE FOR THREADED HOLES: ±0.1

REV. 00 - 20/09/2018

C2X50E / Clamp with double workpiece identification - NAAMS Std - 50 mm bore

WEIGHT 2.95 kg

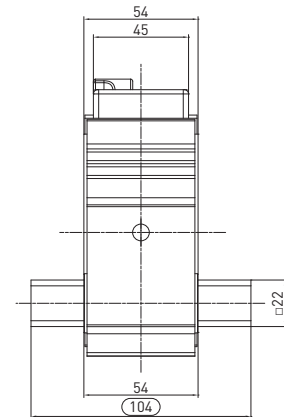
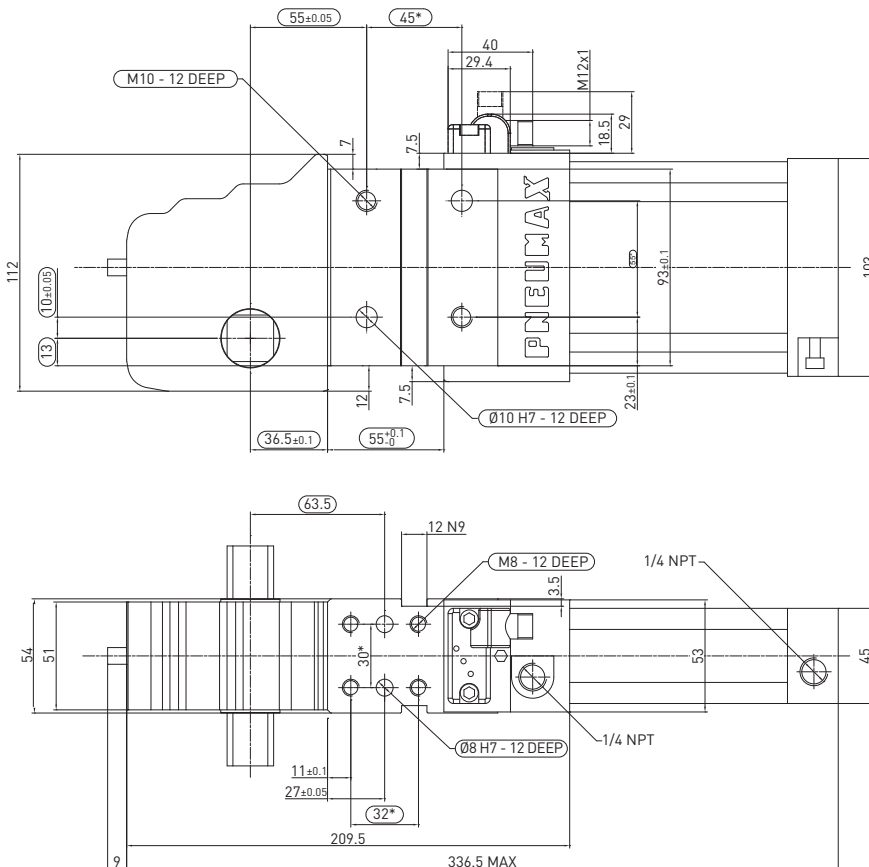


* DIMENSIONAL TOLERANCE
FOR DOWEL HOLES: ±0.02
DIMENSIONAL TOLERANCE
FOR THREADED HOLES: ±0.1

REV. 00 - 20/09/2018

C2X63E / Clamp with double workpiece identification - NAAMS Std - 63 mm bore

WEIGHT 3.75 kg

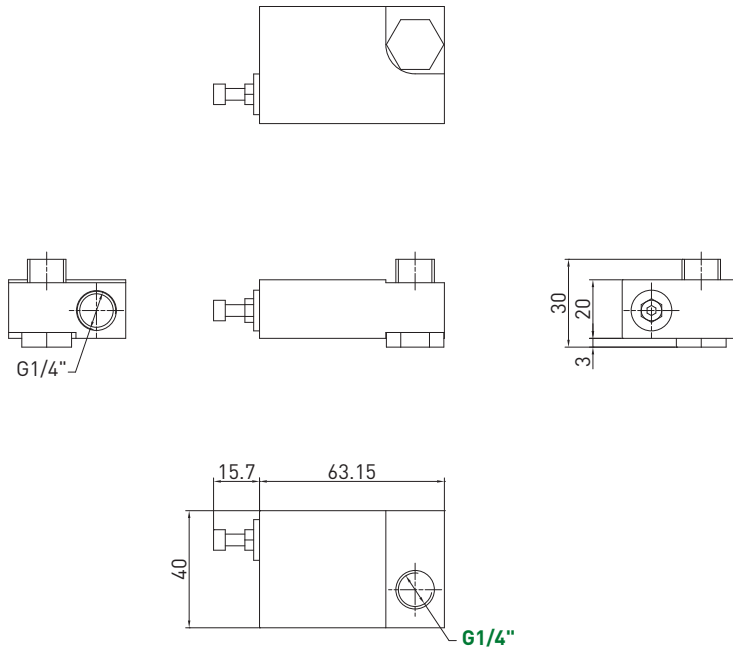


* DIMENSIONAL TOLERANCE
FOR DOWEL HOLES: ±0.02
DIMENSIONAL TOLERANCE
FOR THREADED HOLES: ±0.1

REV. 00 - 20/09/2018

ADWI14: for clamps size 50 and 63 mm / Devices for double workpiece identification - G 1/4"

WEIGHT 100 g

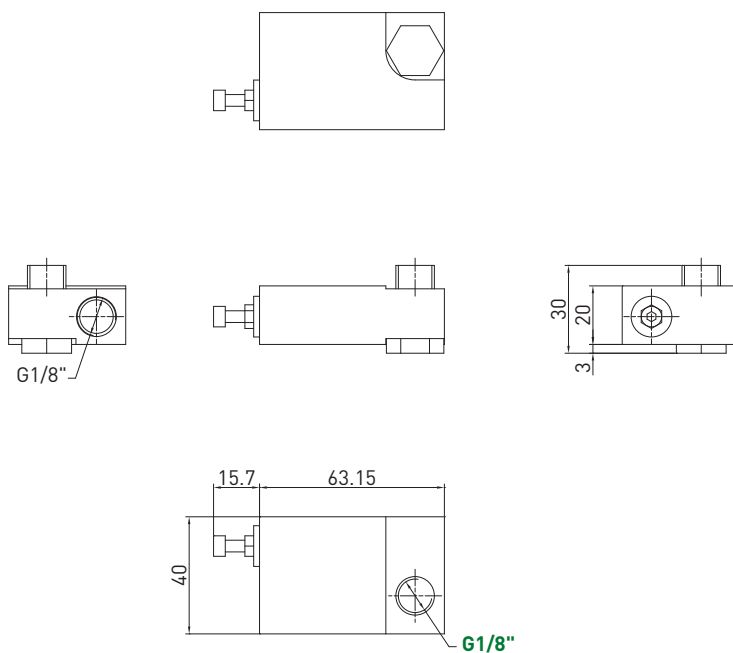


* DIMENSIONAL TOLERANCE
FOR DOWEL HOLES: ± 0.02
DIMENSIONAL TOLERANCE
FOR THREADED HOLES: ± 0.1

REV. 00 - 20/09/2018

ADWI18: for clamps size 25,32 and 40 mm / Devices for double workpiece identification - G 1/8"

WEIGHT 100 g



* DIMENSIONAL TOLERANCE
FOR DOWEL HOLES: ± 0.02
DIMENSIONAL TOLERANCE
FOR THREADED HOLES: ± 0.1

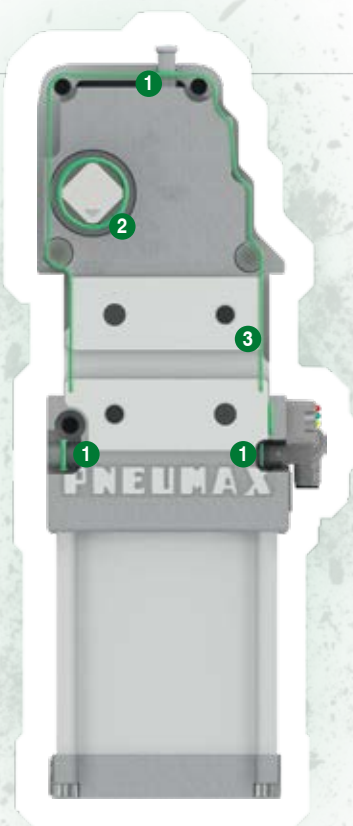
REV. 00 - 20/09/2018

CS/HES-Series

Sealed clamps

CLAMPING

INTERNATIONAL MOUNT
GLOBAL STANDARD COMPONENTS
NAAMS



- **Weld-contamination proven**
- **Suitable for laser welding applications**
- **No dimensional change from conventional clamps**

- 1 The manual unlock button and the adjustment access are sealed with an O-ring
- 2 The toggle mechanism is fully sealed
- 3 Acrylic-based Loctite® for full sealing



Ordering string

Sealed clamp

CS 1 P 63 E G 4 S 01

CS

VERSION

C = clamp
CS = sealed clamp

HE = high efficiency clamp
HES = high efficiency sealed clamp

1

MOUNTING PATTERN

P

OPERATION

63

SIZE

E

SENSOR

G

PORTS

4

ARM MOUNT

S

ARM MATERIAL

01

CLAMP ARM TYPE

Follow the ordering string of standard clamps.
For technical specifications please refer to the charts of standard clamps.

CB-Series



Power clamp with double arm

- Stepless adjustable opening angle
- Toggle lock mechanism
- Unlock manual override > in case of air loss the clamp can be opened manually
- Pneumatic ports on both sides of the cylinder
- Extremely compact dimensions
- 4-sided mounting pattern

CLAMPING

Technical features

Manual release button to open the linkage when air pressure is removed during setup. **Pneumatic ports on both sides** of the cylinder.

Operating features

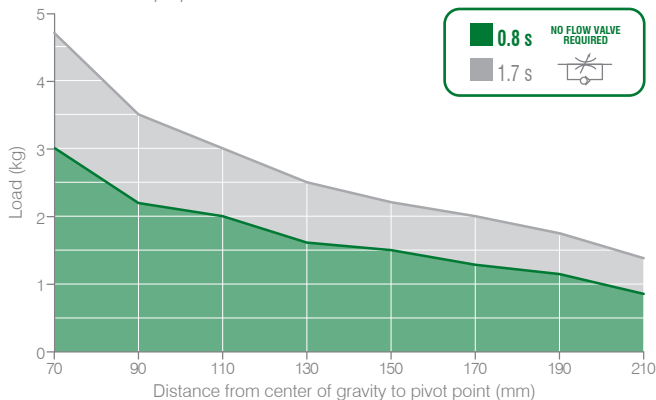
Operating pressure	from 2 to 8 bar / from 30 to 115 psi
Lubrication	all the devices are lubricated for life at the factory. Inline air lubrication isn't required

Functional charts

Size 40 mm

• Tooling weight chart

5 bar operating pressure – 135° opening angle
REV. 00 - 02/12/2019



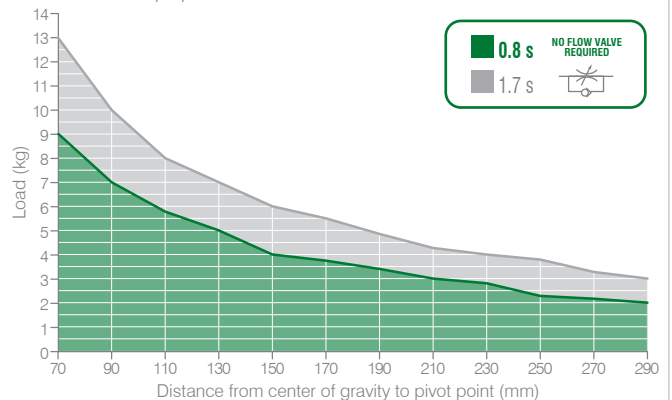
The max allowed load is to be divided on the 2 arms

- **Clamping moment (at 5 bar / 72.5 psi)**
85 N m / 62,69 lb-ft
- **Cycle time**
0.8 s at 90°
- **Holding moment**
110 N m

Size 63 mm

• Tooling weight chart

5 bar operating pressure – 135° opening angle
REV. 00 - 17/06/2015



The max allowed load is to be divided on the 2 arms

- **Clamping moment (at 5 bar / 72.5 psi)**
170 N m / 125,39 lb-ft
- **Cycle time**
0.8 s at 90°
- **Holding moment**
280 N m

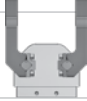

The above data are meant for correct working conditions of the clamp with the same performance level during its life time. For applications which exceed the above data, please contact our sales representatives.

Ordering string

CB-Series

CB 40 E G 5 A 01

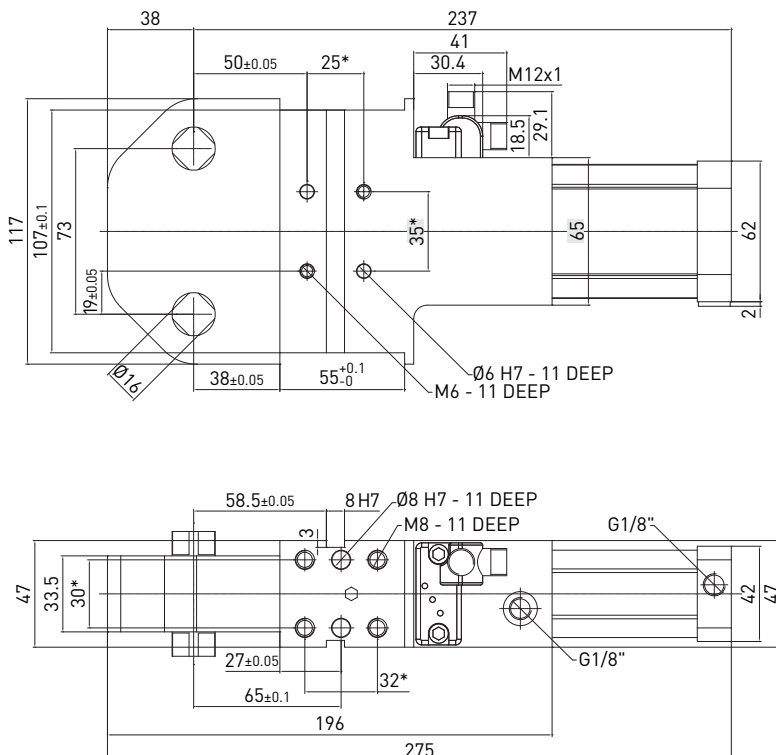
CLAMPING

CB	VERSION	CB = double arm clamp
40	SIZE	40 = Ø 40 mm 63 = Ø 63 mm
E	SENSOR	E = electronic sensor with M12 swivel connector - PNP
G	PORTS	G = G thread – BSPP
5	ARM MOUNT	5 =  6* =  * only for size 63 mm
A	ARM MATERIAL	A = aluminum
01	CLAMP ARM TYPE	01 = wishbone, central, 15 mm offset 02 = wishbone, right, 15 mm offset 03 = wishbone, left, 15 mm offset 61 = wishbone, 10 mm offset specific for CB40 clamp

Stepless adjustment from 13° to 180° for size 40 mm
Stepless adjustment from 8° to 180° for size 63 mm

CB40EG / Power clamp with double arm - 40 mm bore

WEIGHT 2.5 kg

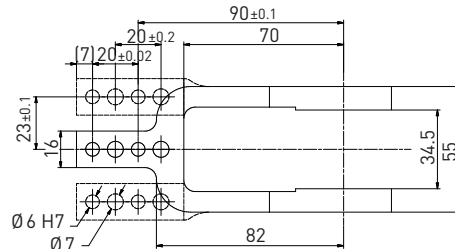
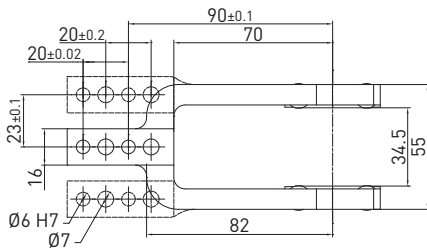
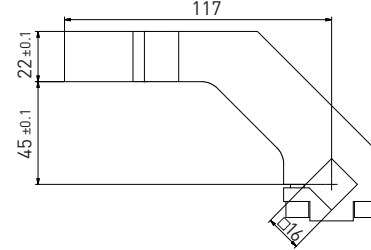
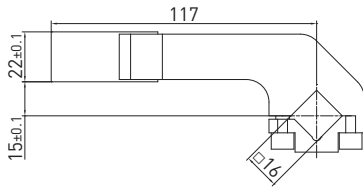


* DIMENSIONAL TOLERANCE FOR DOWEL HOLES: ±0.02
DIMENSIONAL TOLERANCE FOR THREADED HOLES: ±0.1

REV. 00 - 20/09/2018

Clamping arms / 16 mm shaft

REV. 00 - 31/03/2015



16 mm shaft – 15 mm offset



Part no.	Material	Version	Weight (kg)	Max op. angle pos. 5
B1601	Aluminum	Central	0.24	90°
Q1601	Steel	Central	0.44	90°
B1602	Aluminum	Right	0.24	90°
Q1602	Steel	Right	0.46	90°
B1603	Aluminum	Left	0.24	90°
Q1603	Steel	Left	0.46	90°

Screws: M6x20 Tightening torque: 10 N m / 7.37 lb ft

16 mm shaft – 45 mm offset

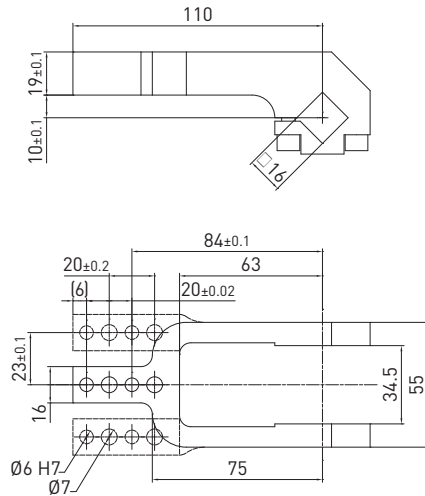


Part no.	Material	Version	Weight (kg)	Max op. angle pos. 5
B1604	Aluminum	Central	0.3	90°
Q1604	Steel	Central	0.55	90°
B1605	Aluminum	Right	0.3	90°
Q1605	Steel	Right	0.57	90°
B1606	Aluminum	Left	0.3	90°
Q1606	Steel	Left	0.57	90°

Screws: M6x20 Tightening torque: 10 N m / 7.37 lb ft

Clamping arms / 16 mm shaft - 10 mm offset - Specific for CB40 clamps

REV. 00 - 24/09/2019



16 mm shaft - 10 mm offset

Part no.	Material	Version	Weight (kg)	Max op. angle pos. 5	Max op. angle pos. 6
B1661	Aluminum	Central	0.24	90°	90°

Screws: M6x25 Tightening torque: 10 N m / 7.37 lb-ft

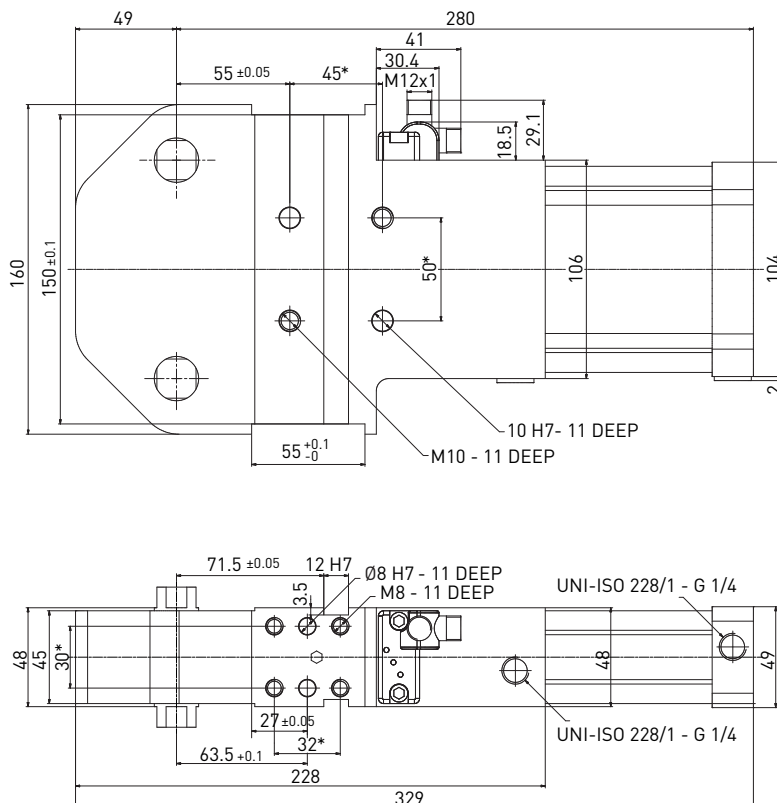
16 mm shaft - 0 mm offset

Part no.	Material	Version	Weight (kg)	Max op. angle pos. 5	Max op. angle pos. 6
B1618	Aluminum	Central	0.22	90°	90°

Screws: M6x25 Tightening torque: 10 N m / 7.37 lb-ft

CB63EG / Power clamp with double arm - 63 mm bore

WEIGHT 6 kg

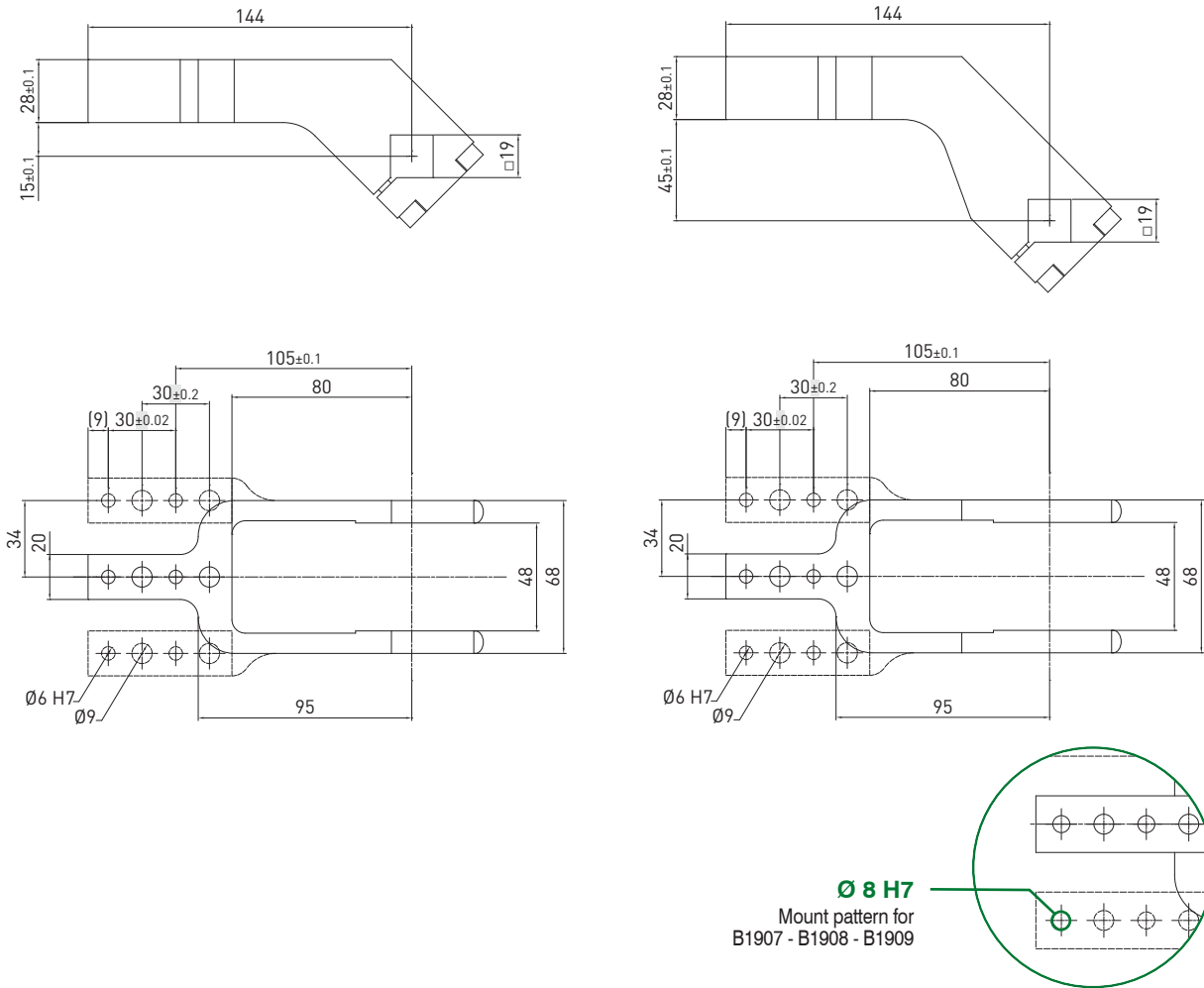


* DIMENSIONAL TOLERANCE
FOR DOWEL HOLES: ± 0.02
DIMENSIONAL TOLERANCE
FOR THREADED HOLES: ± 0.1

REV. 00 - 24/09/2019

Clamping arms / 19 mm shaft

REV. 01 - 08/02/2019



CLAMPING

19 mm shaft – 15 mm offset

Part no.	Material	Version	Weight (kg)	Max op. angle pos.	
				5	6
B1901	Aluminum	Central	0.41	90°	90°
Q1901	Steel	Central	0.71	90°	90°
B1902	Aluminum	Right	0.43	90°	90°
Q1902	Steel	Right	0.79	90°	90°
B1903	Aluminum	Left	0.43	90°	90°
Q1903	Steel	Left	0.79	90°	90°
B1907	Aluminum	Central	0.41	90°	90°
B1908	Aluminum	Right	0.43	90°	90°
B1909	Aluminum	Left	0.43	90°	90°

Screws: M6x25 Tightening torque: 10 N m / 7.37 lb ft

19 mm shaft – 45 mm offset

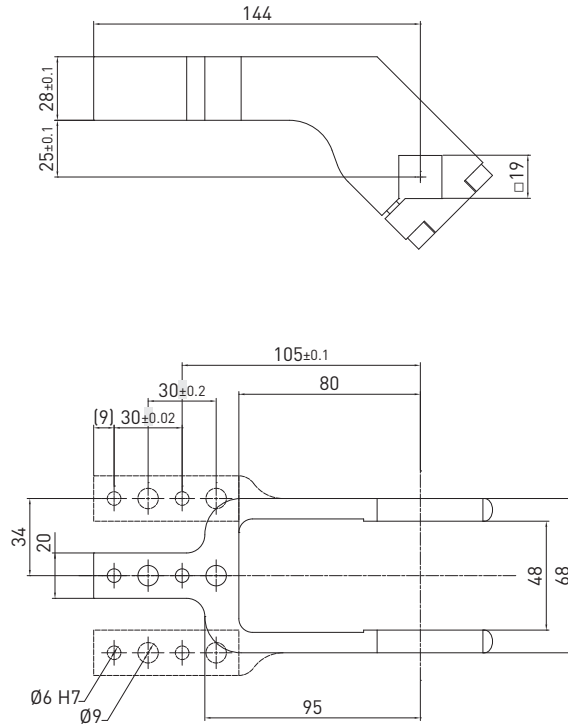
Part no.	Material	Version	Weight (kg)	Max op. angle pos.	
				5	6
B1904	Aluminum	Central	0.45	90°	90°
Q1904	Steel	Central	0.77	90°	90°
B1905	Aluminum	Right	0.46	90°	90°
Q1905	Steel	Right	0.81	90°	90°
B1906	Aluminum	Left	0.46	90°	90°
Q1906	Steel	Left	0.81	90°	90°

Screws: M6x25 Tightening torque: 10 N m / 7.37 lb ft

Clamping arms / 19 mm shaft

REV. 01 - 08/02/2019

CLAMPING



19 mm shaft – 25 mm offset

Part no.	Material	Version	Weight (kg)	Max op. angle pos. 5	Max op. angle pos. 6
B1921	Aluminum	Central	0.43	90°	90°
B1922	Aluminum	Right	0.44	90°	90°
B1923	Aluminum	Left	0.44	90°	90°

Screws: M6x25 Tightening torque: 10 N m / 7.37 lb ft

CL-Series

Pneumatic clamp



Extra-light products

**550gr
WEIGHT**



Miniature light-weight series, enclosed toggle-locking mechanism, compact and light-duty for testing applications, welding and fixture checking.

CLAMPING

Technical features

Manual release button to open the linkage when air pressure is removed during setup.

Operating features

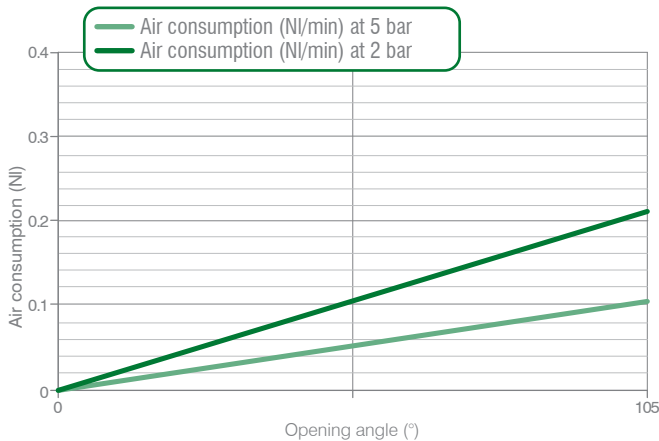
Operating pressure	from 2 to 5 bar / from 30 to 72,5 psi
Lubrication	all the devices are lubricated for life at the factory. Inline air lubrication isn't required

Functional charts

Size 25 mm

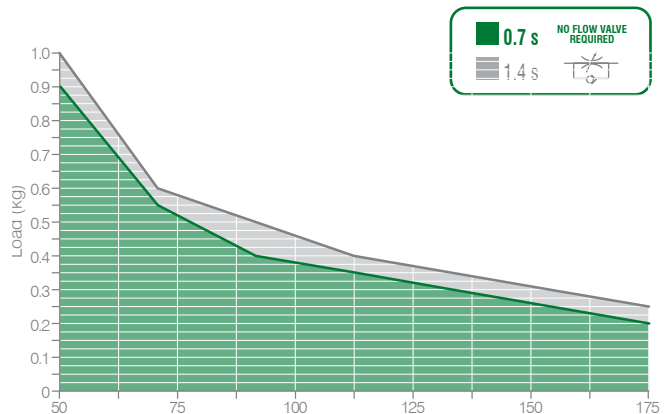
- Air consumption**

Air consumption for complete cycle (opening and closing)
REV. 00 - 17/06/2015



- Tooling weight chart**

5 bar operating pressure – 105° opening angle
REV. 00 - 18/11/2016



- Clamping moment (at 5 bar / 72.5 psi)**
25 N m / 18,43 lb-ft

- Holding moment**
50 N m / 36,87 lb-ft





The above data are meant for correct working conditions of the clamp with the same performance level during its life time. For applications which exceed the above data, please contact our sales representatives.

CL-Series / Ordering string

CL-Series

C L 25 E G 1 A 01

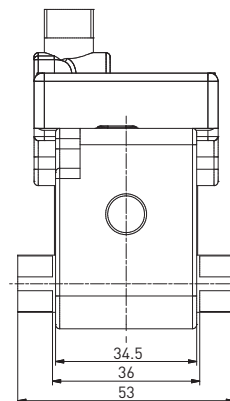
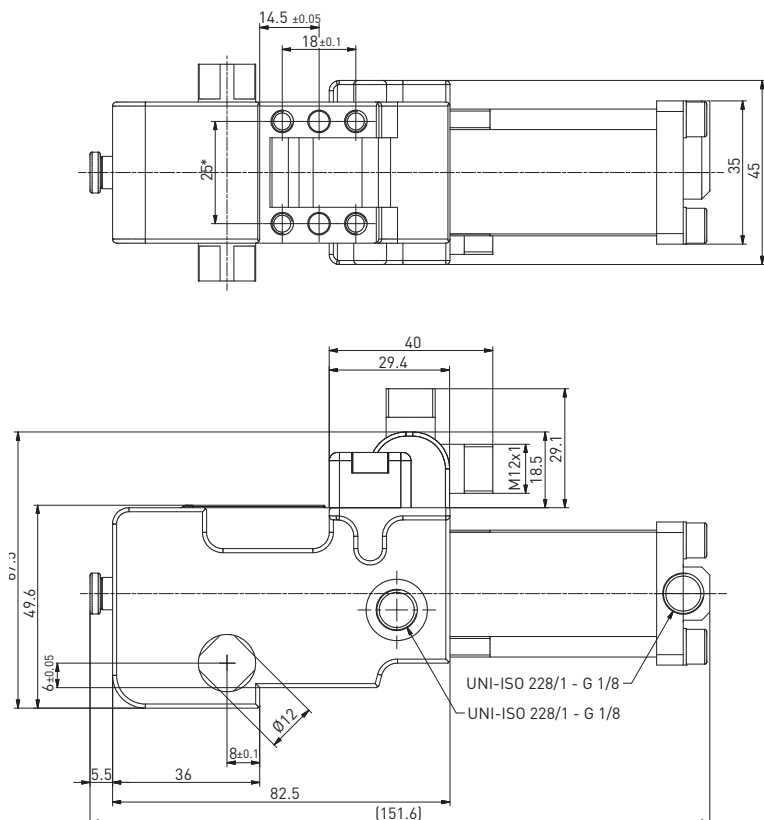
CLAMPING

C	VERSION	C = clamp
L	SERIES	L = light - Weight
25	SIZE	25 = Ø 25 mm
E	SENSOR	E = electronic sensor with M12 swivel connector - PNP A = electronic sensor with M12 swivel connector - NPN N = no sensor B = electronic sensor with M8 swivel connector - PNP
G	PORTS	G = G thread – BSPP
1	ARM MOUNT	1 =  2 =  3 =  4 = 
A	ARM MATERIAL	A = aluminum
01	CLAMP ARM TYPE	01 = wishbone, central, 0 mm offset 13 = H, 0 mm offset 04 = wishbone, central, 10 mm offset 14 = H, 10 mm offset

Please see the charts in the datasheets for arm position as well as for max. opening angle. NAAMS clamping arms to be ordered separately

CL25EG / Light - weight - pneumatic clamp - size 25 mm

WEIGHT 550 gr

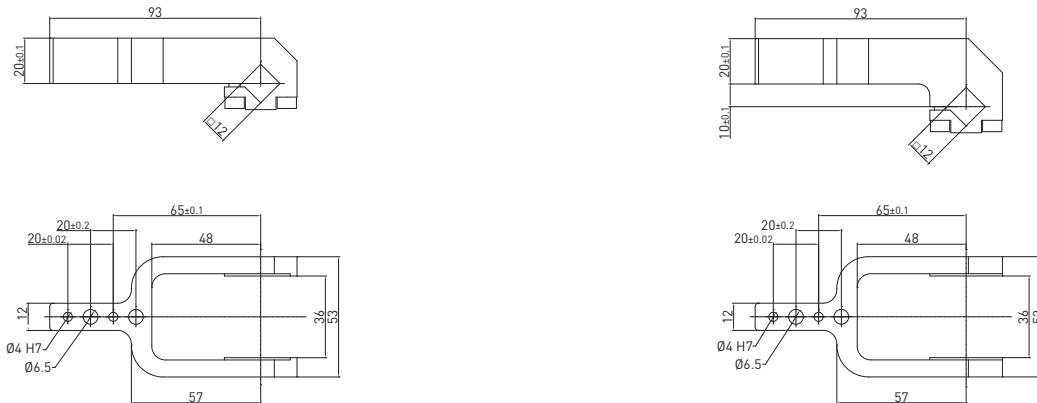


* DIMENSIONAL TOLERANCE FOR DOWEL HOLES: ±0.02
DIMENSIONAL TOLERANCE FOR THREADED HOLES: ±0.1

REV. 00 - 14/06/2021

Clamping arms / 12 mm shaft for clamps' size 25 mm

REV. 02 - 07/10/2015



12 mm shaft – 0 mm offset

Part no.	Material	Version	Weight (kg)	Max op. angle pos. 1	Max op. angle pos. 2	Max op. angle pos. 3	Max op. angle pos. 4
B12012	Aluminum	Central	0.127	105°	105°	105°	N/A

Screws: M5x14 Tightening torque: 5 N m / 3.68 lb ft

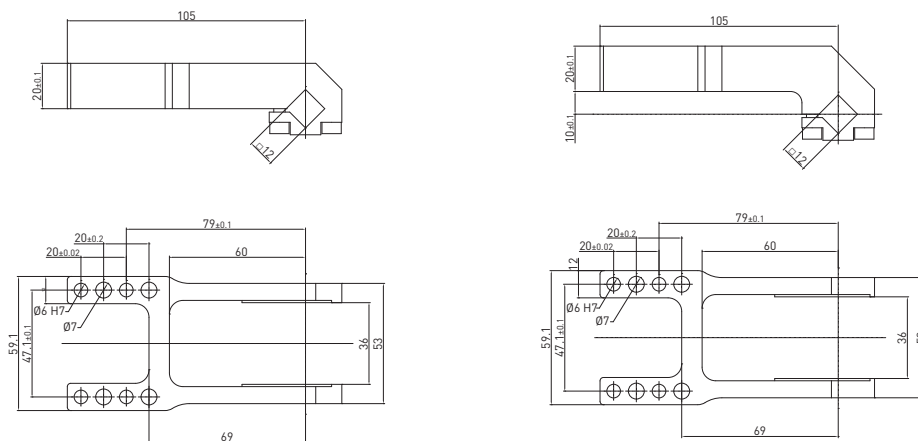
12 mm shaft – 10 mm offset

Part no.	Material	Version	Weight (kg)	Max op. angle pos. 1	Max op. angle pos. 2	Max op. angle pos. 3	Max op. angle pos. 4
B12042	Aluminum	Central	0.135	105°	105°	N/A	N/A

Screws: M5x14 Tightening torque: 5 N m / 3.68 lb ft

Clamping arms / 12 mm shaft for clamps' size 25 mm and size 32 mm mm - Left & right clamping surfaces

REV. 00 - 12/04/2017



12 mm shaft – 0 mm offset

Part no.	Material	Version	Weight (kg)	Max op. angle pos. 1	Max op. angle pos. 2	Max op. angle pos. 3	Max op. angle pos. 4
B1213	Aluminum	H	0.163	105°	105°	N/A	N/A

Screws: M5x14 Tightening torque: 5 N m / 3.68 lb ft

12 mm shaft – 10 mm offset

Part no.	Material	Version	Weight (kg)	Max op. angle pos. 1	Max op. angle pos. 2	Max op. angle pos. 3	Max op. angle pos. 4
B1214	Aluminum	H	0.173	105°	105°	N/A	N/A

Screws: M5x14 Tightening torque: 5 N m / 3.68 lb ft

HC-Series



Hydraulic clamps

Hydraulic power clamps with **fully-enclosed mechanism**. Maximum mechanical advantage and compact dimensions. Heavy-duty sealed clamps provide superior clamping forces in **harsh welding environments**. Efficient and consistent for repetitive production operations. Sturdy toggle-linkage mechanism and industry-proven position monitoring: the sensor detects the actual linkage condition. **High performance and maintenance-free bushings**.

Technical features

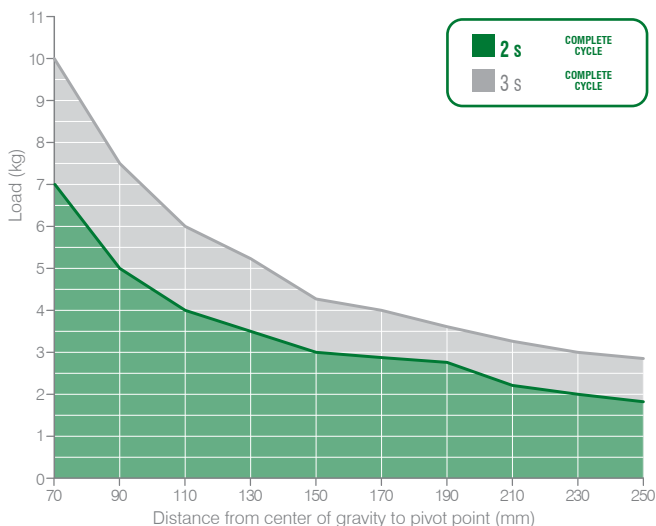
90° opening angle

Operating features

Operating pressure	Nominal pressure 75 bar; max pressure 150 bar
Fluid temperature	-20 °C ÷ + 80°C
Fluid	Hydraulic mineral oil
Weight	5,5 Kg

Functional charts

• Tooling weight chart



• Clamping moment 580 N m at 75 bar





The above data are meant for correct working conditions of the clamp with the same performance level during its life time. For applications which exceed the above data, please contact our sales representatives.

Make sure that the opening movement is cushioned through flow adjusters.

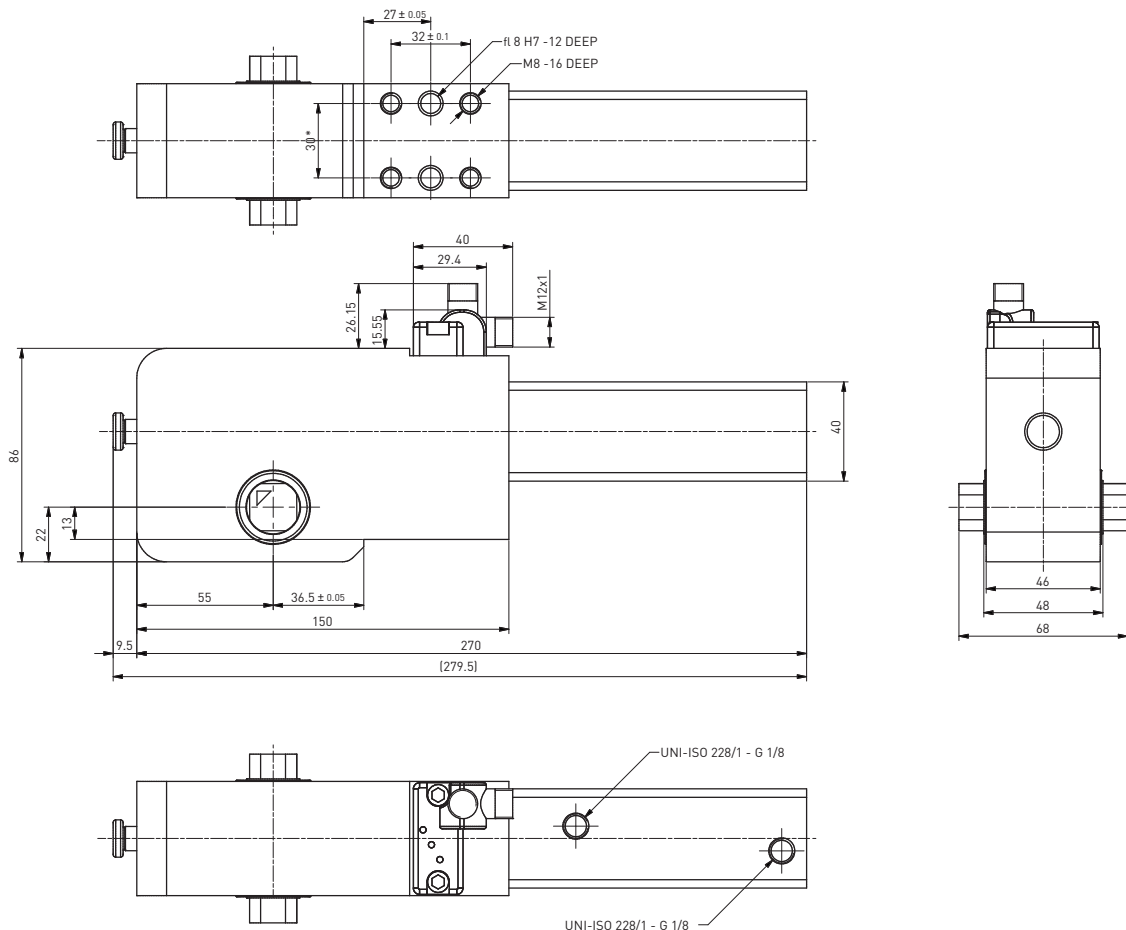
Ordering string

Hydraulic Power Clamps

HC 1 A G 1 S 01

HC	VERSION	HC = hydraulic clamp
1	SIZE	1 = Ø25 mm bore; 19 mm arm shaft
A	SENSOR	E = electronic sensor with M12 swivel connector - PNP A = electronic sensor with M12 swivel connector - NPN N = no sensor B = electronic sensor with M8 swivel connector - PNP
G	PORTS	G = G thread – BSPP
1	ARM MOUNT	1 =  2 =  3 =  4 = 
S	ARM MATERIAL	S = steel
01	CLAMP ARM TYPE	01 = wishbone, central, 15 mm offset 04 = wishbone, central, 45 mm offset 02 = wishbone, right, 15 mm offset 05 = wishbone, right, 45 mm offset 03 = wishbone, left, 15 mm offset 06 = wishbone, left, 45 mm offset

HC1 / International mount - 25 mm bore



REV. 00 - 15/06/2021

Clamping

Quick installation guide

Caution

Any maintenance operation may only be carried out by qualified and authorized personnel. For any reason, do not reach into the pivoting range of the clamping arms, when the clamps are in operation. Disconnect and lock out pneumatic and electric supply lines before operating on or around clamps.

Functional description

When operated, the pneumatic cylinder acts on an integrated toggle mechanism, which triggers the pivoting movement of the clamping arms.

The clamp is warranted for 3 mln cycles in correct operating conditions

No lubrication.

No preventive maintenance.

External cleaning with non-corrosive detergents is required: cleaning interval depends on the ambient conditions as well as on the frequency of use.



Clamp installation to the tool

The clamp can be installed by one of its four mounting surfaces, using dowels and screws according to its datasheet. The tightening torques to be set are:

M5	5 N m / 3.68 lb-ft
M6	10 N m / 7.37 lb-ft
M8	25 N m / 18.43 lb-ft
M10	35 N m / 25.81 lb-ft
M12	50 N m / 36.87 lb-ft

Use the key support surfaces, where available.
Always use all the bores on the mounting pattern.

A worksheet for the right sizing of the clamp is available upon request. Visit our website for technical documents

<http://automotive.pneumax.it/>



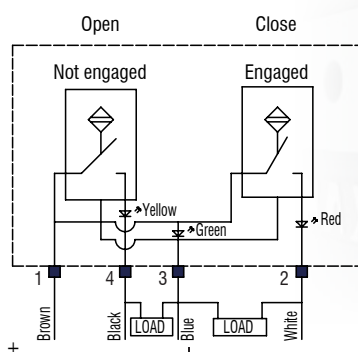
Pressure operating range: from 2 to 8 bar/ from 30 to 115 psi.
Inline lubrication isn't required: if lubricated air is used, it is necessary to continue using lubricated air, as the oil in it may have removed the basic lubrication in the device.

Electronic sensor

ES001 is used for all clamps' sizes and series. Adjustment of the connector: unscrew the tightening screw and set the connector in the required position, then secure the screw with 5 N m / 3.68 lb-ft.

Technical features

Operating voltage	10-30 VDC
Voltage drop	≤ 2 V
Load current	≤ 100 mA
Current consumption	≤ 30 mA
Short-circuit protection	protected
Protection rating	IP68
Operating temperature	-0 °C +50 °C
Storage temperature	-25 °C +60 °C
Electromagnetic compatibility	EN 60947-5-2:2007 + A1:2012
Power supply indication	green LED
Open position indication	yellow LED
Closed position indication	red LED
Digital output type	PNP

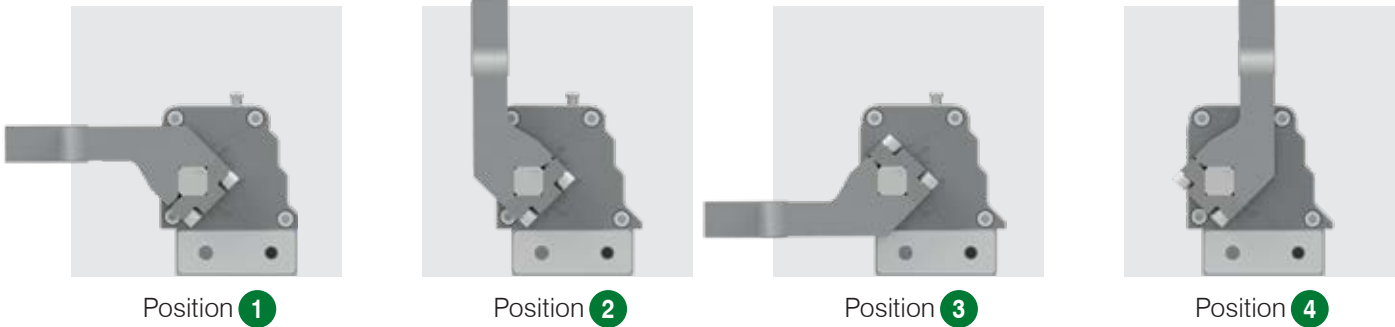


Simplified diagram (PNP)



To replace the sensor, remove the M5 screw and assemble a new one by tightening the same screw with 5 N m / 3.68 lb-ft.

Arm mount options



The above pictures show the closed position.

The max. opening angle according to the arm mount option is indicated on each clamp arm's datasheet. In order to achieve a right or left arm mount in configurations 2 or 3, the clamping arm should be rotated by 180°, therefore to achieve

C1P/HE1P __ 2A03 a right clamp arm is required, i.e. B/Q __ 02

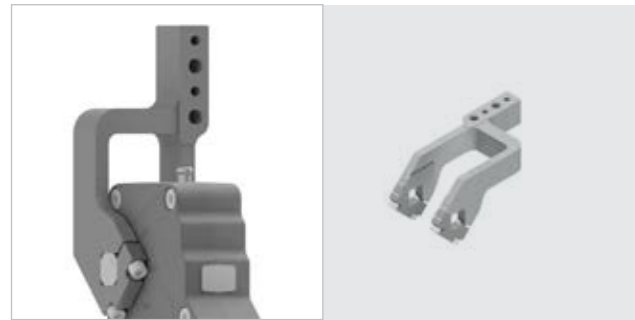
C1P/HE1P __ 2A02 a left clamp arm is required, i.e. B/Q __ 03

C1P/HE1P __ 2A05 a right clamp arm is required, i.e. B/Q __ 06

C1P/HE1P __ 2A06 a left clamp arm is required, i.e. B/Q __ 05



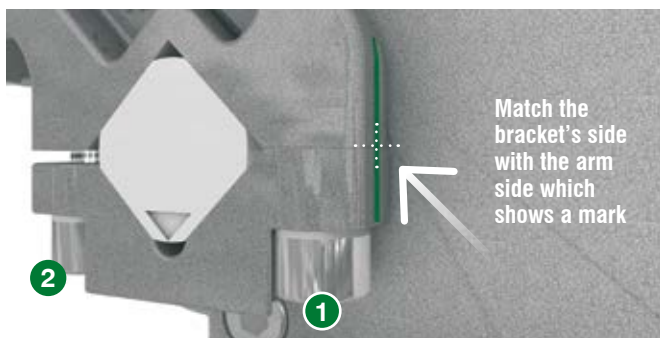
C1 __ __ 2A03 using a right __ 02 arm



C1 __ __ 2A02 using a left __ 03 arm

Clamping arm mount

The sides of the brackets have two different heights. Assemble the brackets to the side of the clamping arm, so that the surfaces, where the side mark has been machined on, will match. Secure, at first, the screw on the mark side **1** by setting the tightening torques indicated on the clamping arm datasheet, and leave no gap between the bracket and the arm. Then, secure the other screw **2**: in this case, due to the different length of the sides of the brackets, a gap between the same and the clamping arm will be noticed. Always use locking washers.



Handles with knobs for manual levers

RK7100/0015 Handle with green knob and bracket; D2 version for 25 and 32 mm bore clamps and manual pin packages RD250 and FD63

RK7100/0005 Handle with green knob and bracket; D1 version for 40 mm bore clamps

RK7100/0006 Handle with green knob and bracket; D2 version for 40 mm bore clamps

RK7100/0003 Handle with green knob and bracket; D1 version for 50 and 63 mm bore clamps

RK7100/0004 Handle with green knob and bracket; D2 version for 50 and 63 mm bore clamps

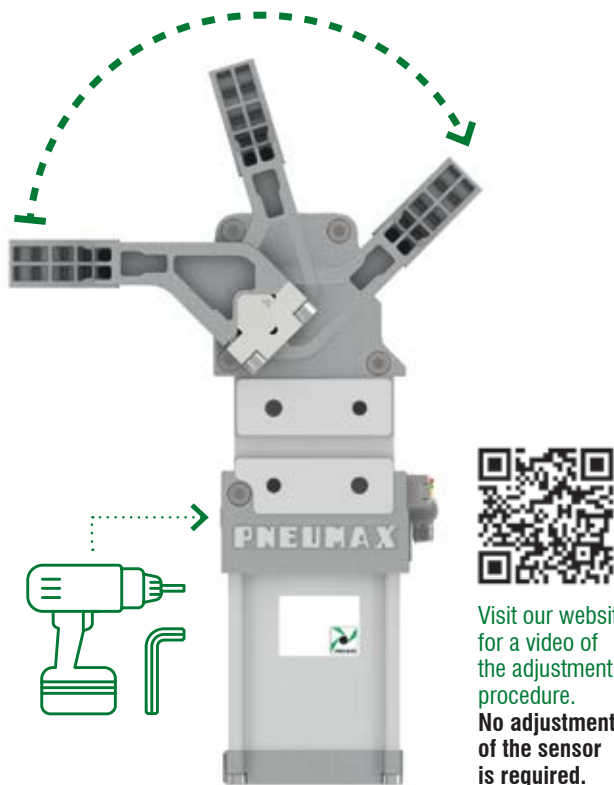
RK7100/0007 Handle with green knob and bracket; D2 version for 80 mm bore clamps

The levers' kits include handle knob, bracket and M5 x 16 screws. Tightening torque: 5 N m/ 3.68 lb-ft.

The handles can be installed on the left or on the right side of the clamps- all manual clamps show a dual output shaft.

Opening angle adjustment

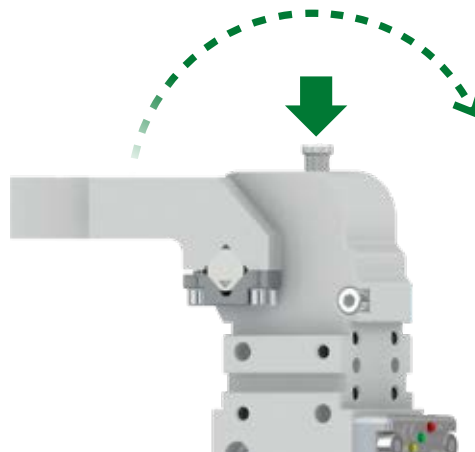
The clamping arm must be in the open position. Insert a 5 mm hexagonal flat Allen Wrench or a screw gun and adjust the opening position to the required opening angle.



Visit our website for a video of the adjustment procedure.
No adjustment of the sensor is required.

Manual release button

To manually unlock the mechanism, hit the bolt with a rubber mallet. The linkage will automatically release itself from the over-centre position. To close the clamps during set-up operations, without air, use a screw gun or a flat Allen wrench to engage the adjustment means and adjust the clamp till 0° opening angle: the linkage will be toggle-locked as the manual release button is completely outside.

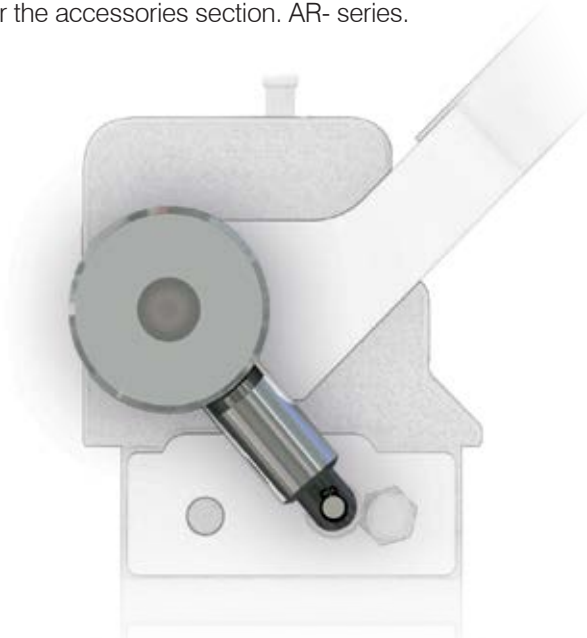


No need to disassemble the cylinder to rotate the ports' position

Supply-ports on both sides of the cylinder for a simpler set-up.

Auto-retaining device

For mounting installations, where the load is subject to gravity force and could move from the clamp opening position, an auto-retaining device could be used. Please refer to our website for the respective documentation, under the accessories section. AR- series.



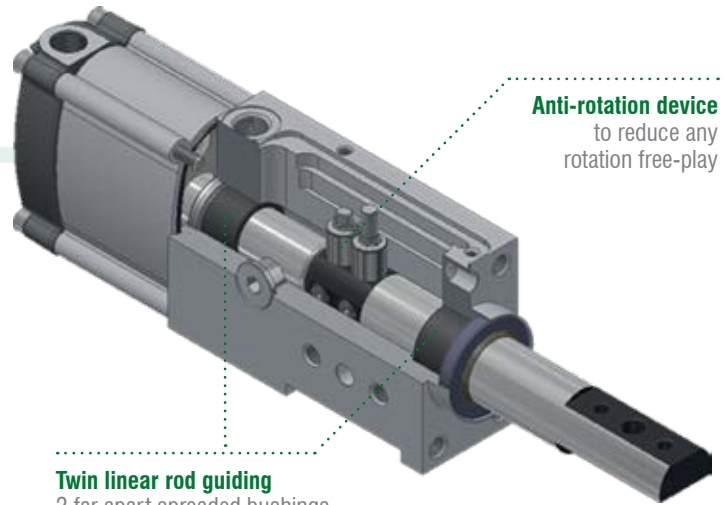
Shims and spacers

For an optimal setting of the clamping force, proceed as follows: place the NC blocks until contact is made with the workpiece, close the clamp and verify that the linkage is toggle-locked by checking that the release bolt is completely outside. Proceed by adding shims or spacers till the gap between the workpiece and the NC block is 0 mm, then add further shims so that the required clamping force is achieved. 0.3 mm shimming is the average interference recommended: please consider that the thickness of the shim to be chosen depends on the air pressure as well as on the clamping arm's length and clamp size. For any specific requirement, please contact our technical representatives at automotive@pneumaxspa.com.



Locating

High locating accuracy.
High protection against welding debris and corrosion.



Anti-rotation device
to reduce any rotation free-play

Twin linear rod guiding
2 far apart spreaded bushings limit any deflection and improve the pin package accuracy over a long period of time.

LOCATING



Extra-light products



RP50 RP63 RM50 HP50 RD50 RT40 RTD40 RCD250 RC50 RC63 FP40 FP63 FT50 FTD50 RP32 RA32
CNOMO

High positioning accuracy level

Precise guiding through 2 far-apart spreaded bushings for an optimal support of the rods > twin piston rod guide

- Low deflection
- Efficient anti rotation mechanism

Long life built-in components in rust prevention

- No weld covers or bellows required
- Steel and brass rod scraper to prevent welding debris from entering the pin package
- Chrome rod coating as a protection against adhering weld sparks

High resistance to welding debris and corrosion

Anti-rotation system to reduce any rotation free-play

Locating products

Dual rods

- Extra-light products
- Short body length
- Clear design with user-friendly surfaces and no dirt or welding deposit traps

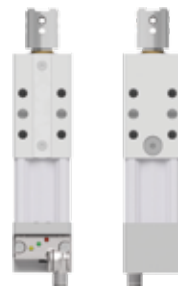


Nano pin packages



2-sided mounting option

Supply ports on 3 sides



Front
mount

Rear
mount



G ports
on 3 sides

High performance pin package

The heat generated from any welding process can cause a localized deformation in the workpiece when the metal cools, some parts could contract more than others, leaving residual stress.

To improve the process reliability, a higher level of pull force to disengage the pin can be required to overcome the tensions in the workpiece.

Pull force:
1960N



Cnomo

Pin packages according to Cnomo standard also available with manual operation.

CNOMO



Retractable locating pin packages with toggle linkage

- Fully encapsulated toggle mechanism: in case of air loss, the working position remains secure
- Clear design with user-friendly surfaces



Retractable locating pin packages with dual rods and toggle linkage

- Fully encapsulated toggle mechanism: in case of air loss, the working position remains secure
- Clear design with user-friendly surfaces and no dirt or welding deposit traps



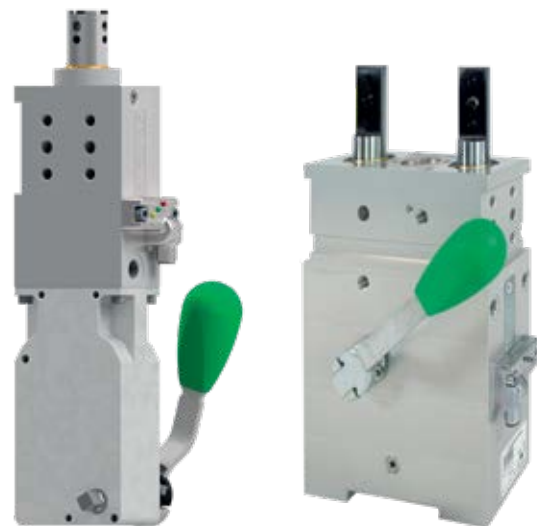
Retractable locating pin packages with toggle linkage and manual operation

- Manual unlock mechanism to disengage the linkage in emergency situations



Retractable locating pin packages with dual rods, toggle linkage and manual operation

- Manual unlock mechanism to disengage the linkage in emergency situations



R-Series



Retractable locating pin packages

Technical features

Pneumatic ports on both sides of the cylinder.

Operating features

Operating pressure	from 2 to 8 bar / from 30 to 115 psi
Lubrication	all the devices are lubricated for life at the factory. Inline air lubrication isn't required

Functional charts

Size 50 mm

• Max deflection

Stroke	Load (kg)	Load position A deviation (mm)	Load position B deviation (mm)	Load position C deviation (mm)
60 mm	0.5	0.007	0.012	0.01
	1	0.013	0.025	0.023
	1.5	0.02	0.04	0.036
	2	0.03	0.053	0.049
	2.5	0.038	0.067	0.064
	3	0.045	0.082	0.075
50 mm	0.5	0.006	0.009	0.007
	1	0.013	0.02	0.018
	1.5	0.021	0.032	0.028
	2	0.026	0.047	0.043
	2.5	0.032	0.66	0.057
	3	0.037	0.075	0.068
40 mm	0.5	0.004	0.009	0.004
	1	0.009	0.02	0.009
	1.5	0.013	0.032	0.013
	2	0.018	0.047	0.018
	2.5	0.022	0.66	0.022
	3	0.026	0.075	0.026
25 mm	0.5	0	0.005	0
	1	0.005	0.015	0.005
	1.5	0.007	0.032	0.007
	2	0.011	0.047	0.011
	2.5	0.012	0.66	0.012
	3	0.014	0.075	0.014
15 mm	0.5	0	0.005	0
	1	0.002	0.018	0
	1.5	0.004	0.025	0.002
	2	0.007	0.033	0.006
	2.5	0.012	0.043	0.009
	3	0.014	0.052	0.013

• Functional data (at 5 bar / 72.5 psi)

Thrust force	825 N
Pull force	980 N
Max bending moment	3 N m / 2.21 lb-ft
Max distance from the load centre to the rod	200 mm

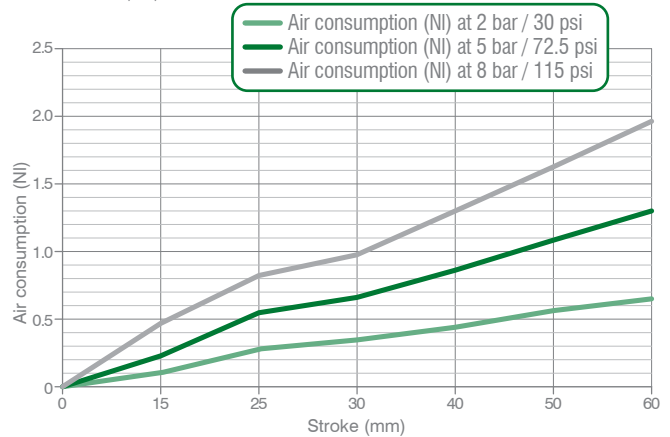
• Cycle time for max stroke

< 0.8 s NO flow valve required

• Air consumption

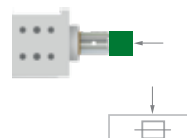
Air consumption for complete cycle

REV. 00 - 18/06/2015



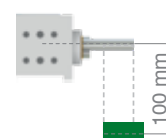
Load position **A**

Horizontal mounting position of the retractable locating pin/load centre on the rod



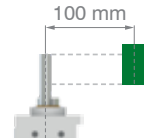
Load position **B**

Horizontal mounting position of the retractable locating pin/load centre at 100 mm from the rod axis



Load position **C**

Vertical mounting position of the retractable locating pin/load centre at 100 mm from the rod axis



Size 63 mm

• Max deflection

Stroke	Load (kg)	Load position A deviation (mm)	Load position B deviation (mm)	Load position C deviation (mm)
60 mm	0.5	0.007	0.012	0.01
	1	0.013	0.025	0.023
	1.5	0.02	0.04	0.036
	2	0.03	0.053	0.049
	2.5	0.038	0.067	0.064
	3	0.045	0.082	0.075
50 mm	0.5	0.006	0.009	0.007
	1	0.013	0.02	0.018
	1.5	0.021	0.032	0.028
	2	0.026	0.047	0.043
	2.5	0.032	0.66	0.057
	3	0.037	0.075	0.068
40 mm	0.5	0.004	0.009	0.004
	1	0.009	0.02	0.009
	1.5	0.013	0.032	0.013
	2	0.018	0.047	0.018
	2.5	0.022	0.66	0.022
	3	0.026	0.075	0.026
25 mm	0.5	0	0.005	0
	1	0.005	0.015	0.005
	1.5	0.007	0.032	0.007
	2	0.011	0.047	0.011
	2.5	0.012	0.66	0.012
	3	0.014	0.075	0.014
15 mm	0.5	0	0.005	0
	1	0.002	0.018	0
	1.5	0.004	0.025	0.002
	2	0.007	0.033	0.006
	2.5	0.012	0.043	0.009
	3	0.014	0.052	0.013

• Functional data (at 5 bar / 72.5 psi)

Thrust force	1,400 N
Pull force	1,555 N
Max bending moment	3 N m / 2.21 lb-ft
Max distance from the load centre to the rod	200 mm

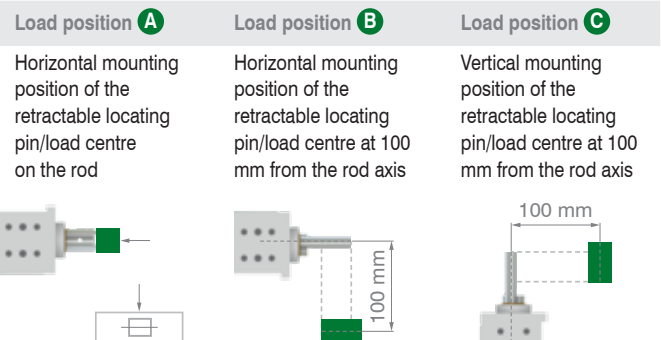
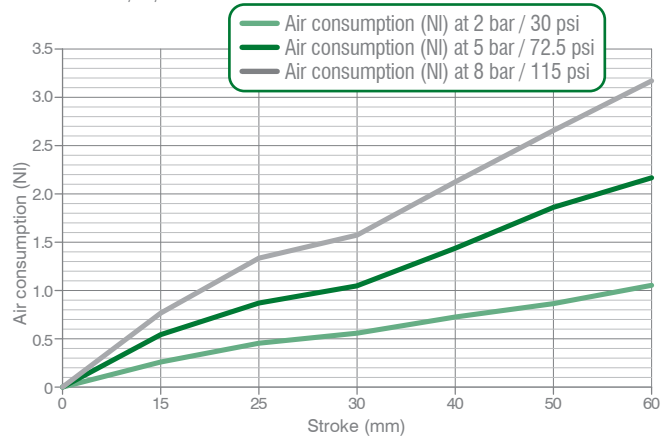
• Cycle time for max stroke

< 0.8 s **NO flow valve required**

• Air consumption

Air consumption for complete cycle

REV. 00 - 31/03/2015



Please get in touch with our technical representatives for any application which exceeds the above values, to find the appropriate solution for your application.

R-Series / Ordering string

R_32-Series

R P 32 E 20 G 2

LOCATING

R	VERSION	R = retractable locating pin package
P	OPERATION	P = pneumatic – sensor mounted on the end cap A = pneumatic – sensor mounted on the front side
32	SIZE	32 = Ø 32 mm
E	SENSOR	E = electronic sensor with M12 swivel connector - PNP A = electronic sensor with M12 swivel connector - NPN N = no sensor B = electronic sensor with M8 swivel connector - PNP
20	STROKE	20 = 20 mm 40 = 40 mm
G	PORTS	G = G thread – BSPP
2	ROD TERMINATION	1 = iØ 16 mm cross-cut key rod termination 2 = iØ 10 mm cross-cut key rod termination



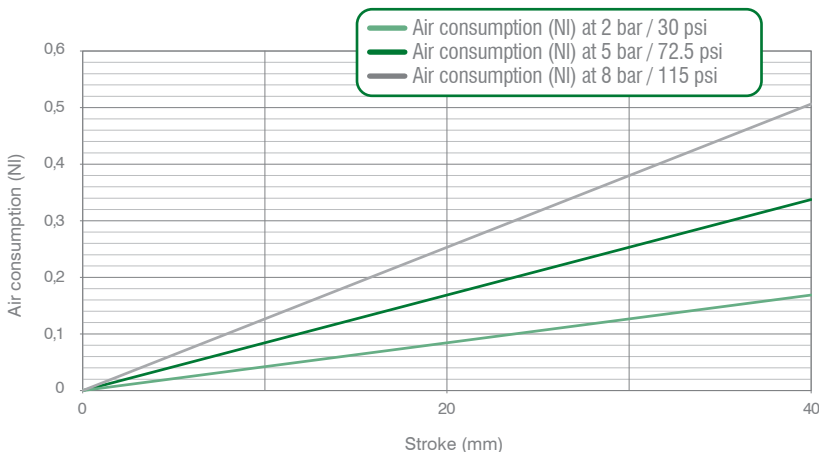
Rod 1



Rod 2

• Air consumption

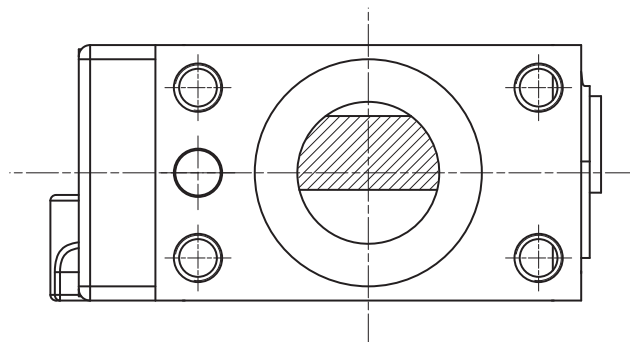
Air consumption for complete cycle



R_50/63-Series

R P 50 E 40 G 3 1

R	VERSION	R = retractable locating pin package
P	OPERATION	P = pneumatic D2 = pneumatic with manual operation (available in size 50)
50	SIZE	50 = Ø 50 mm 63 = Ø 63 mm
E	SENSOR	E = electronic sensor with M12 swivel connector - PNP A = electronic sensor with M12 swivel connector - NPN N = no sensor B = electronic sensor with M8 swivel connector - PNP
40	STROKE	15 = 15 mm 25 = 25 mm 40 = 40 mm 50 = 50 mm 60 = 60 mm
G	PORTS	G = G thread – BSPP
3	ROD TERMINATION	1 = iØ 16 mm cross-cut key rod termination 2 = iØ 10 mm cross-cut key rod termination 3 = rod termination for offset pins 4 = rod termination with key 5 = rod with flat termination dia. 10 mm 6 = rod with flat termination dia. 12 mm 7 = iØ 12 mm CNOMO termination 8 = iØ 20 mm CNOMO termination



RM250-Series

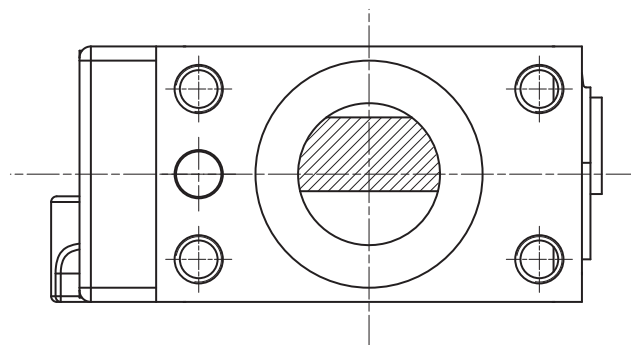
R M2 50 E 15 3 1

R	VERSION	R = retractable locating pin package
M2	OPERATION	M2 = manual operation - handle included
50	SIZE	50 = body corresponding to size 50
E	SENSOR	E = electronic sensor with M12 swivel connector - PNP A = electronic sensor with M12 swivel connector - NPN N = no sensor B = electronic sensor with M8 swivel connector - PNP
15	STROKE	15 = 15 mm 25 = 25 mm 40 = 40 mm 50 = 50 mm 60 = 60 mm
3	ROD TERMINATION	1 = $\text{i}\varnothing$ 16 mm cross-cut key rod termination 2 = $\text{i}\varnothing$ 10 mm cross-cut key rod termination 3 = rod termination for offset pins 4 = rod termination with key 5 = rod with flat termination dia. 10 mm 6 = rod with flat termination dia. 12 mm 7 = $\text{i}\varnothing$ 12 mm CNOMO termination 8 = $\text{i}\varnothing$ 20 mm CNOMO termination



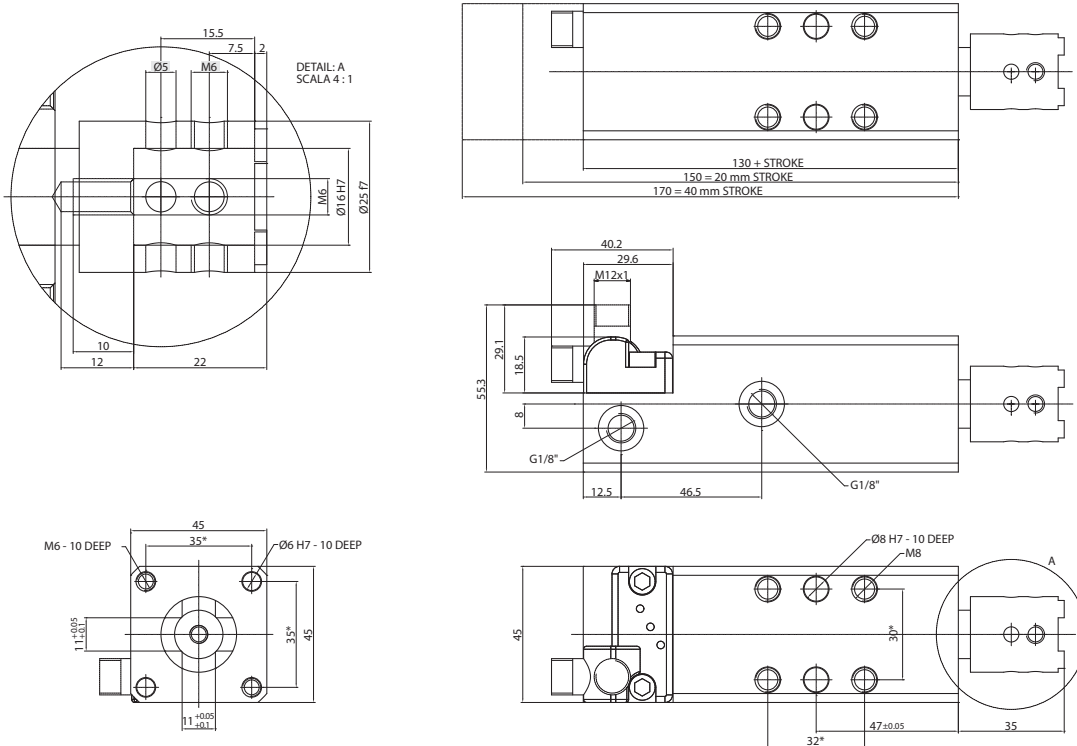
Rod 1 Rod 2 Rod 3 Rod 4 Rod 5 Rod 6 Rod 7 Rod 8

1	ROD ORIENTATION (for termination type 3)	1 =	2 =	3 =	4 =
----------	---	------------	------------	------------	------------



RP32E_1 / Retractable locating pin package - Size 32 mm - iØ 16 mm cross-cut key rod termination

WEIGHT 0.88 kg
min. stroke version



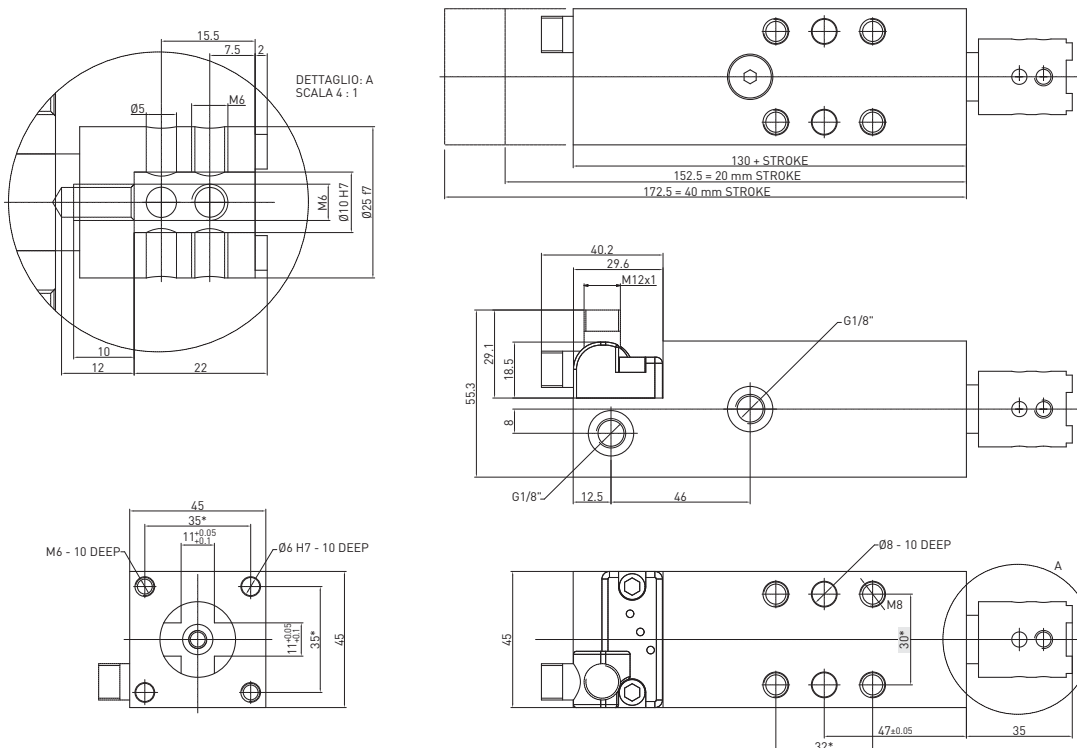
* DIMENSIONAL
TOLERANCE FOR
DOWEL HOLES: ±0.02

DIMENSIONAL
TOLERANCE FOR
THREADED HOLES: ±0.1

REV. 00 - 07/03/2017

RP32E_2 / Retractable locating pin package - Size 32 mm - iØ 10 mm cross-cut key rod termination

WEIGHT 0.88 kg
min. stroke version



* DIMENSIONAL
TOLERANCE FOR
DOWEL HOLES: ±0.02

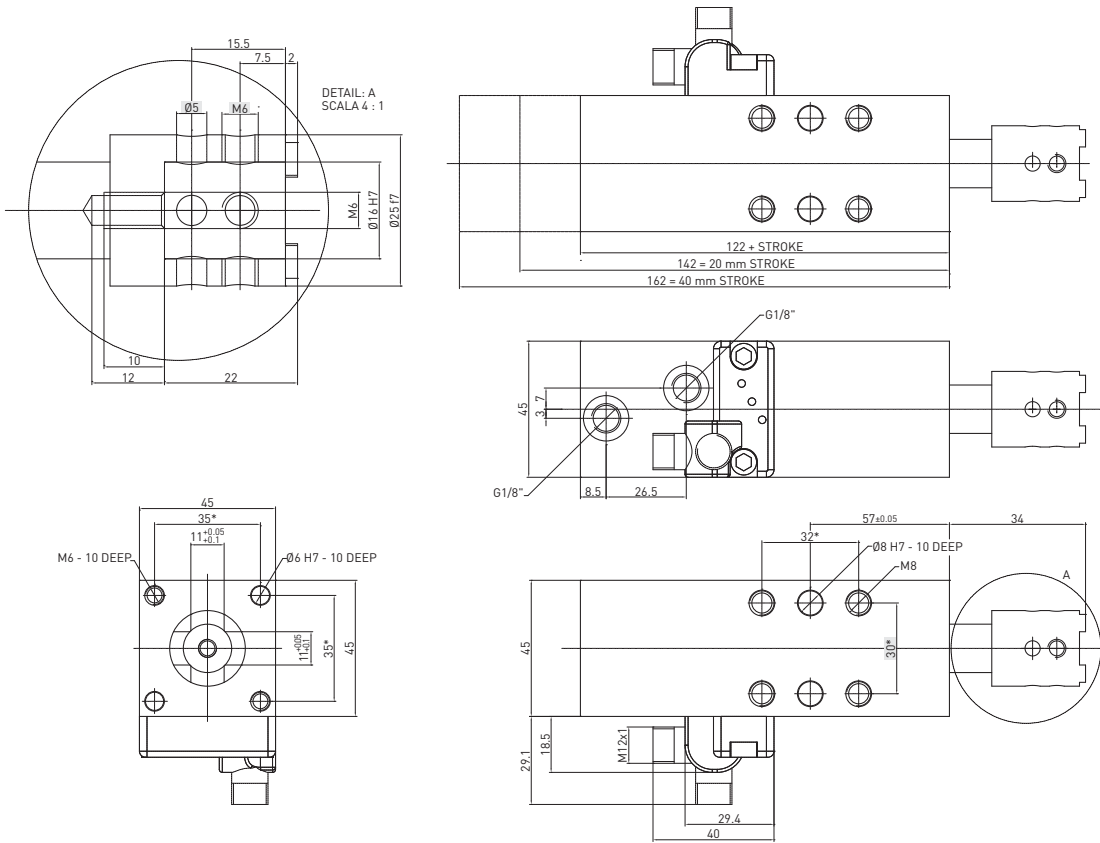
DIMENSIONAL
TOLERANCE FOR
THREADED HOLES: ±0.1

REV. 00 - 00/00/0000

RA32E _1 / Retractable locating pin package - Size 32 mm - iØ 16 mm cross-cut key rod termination

WEIGHT 0.94 kg
min. stroke version

LOCATING

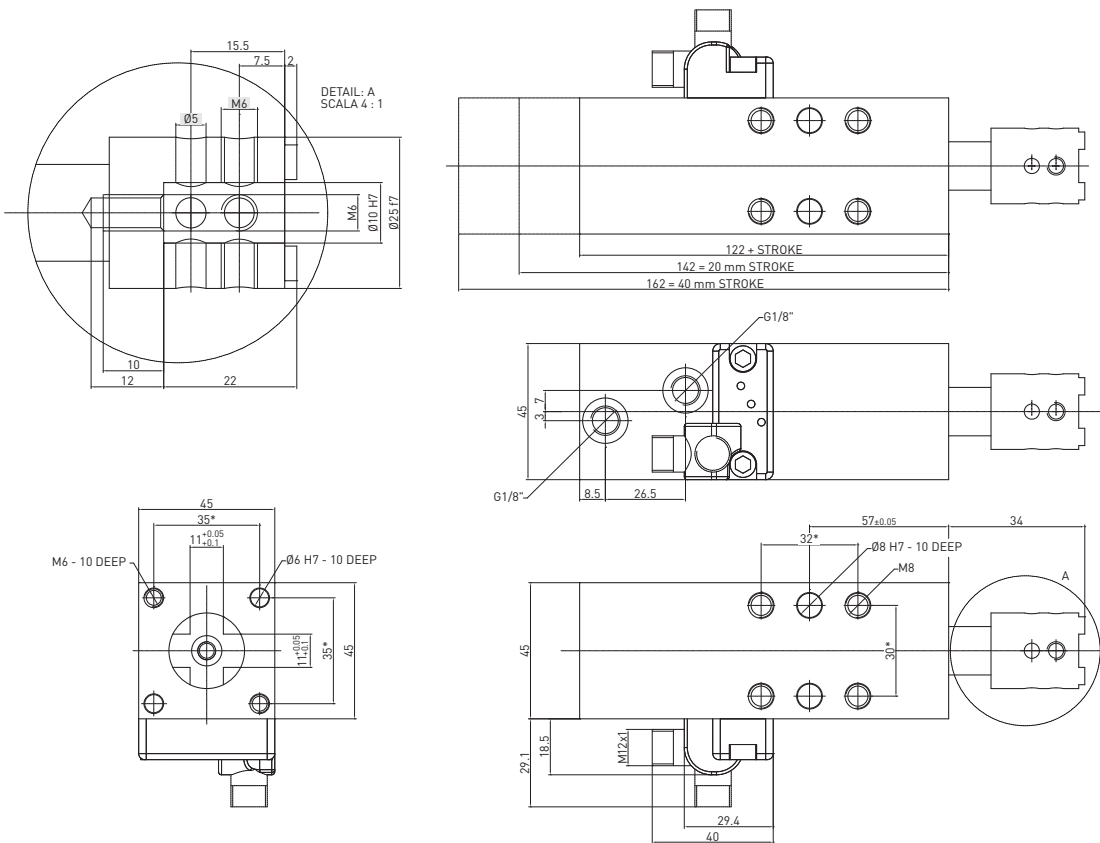


* DIMENSIONAL TOLERANCE FOR DOWEL HOLES: ±0.02
DIMENSIONAL TOLERANCE FOR THREADED HOLES: ±0.1

REV. 02 - 12/01/2018

RA32E _2 / Retractable locating pin package - Size 32 mm - iØ 10 mm cross-cut key rod termination

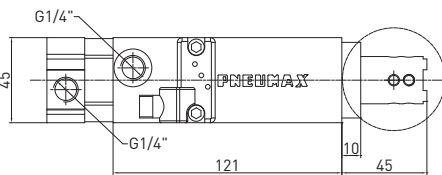
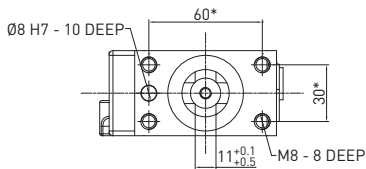
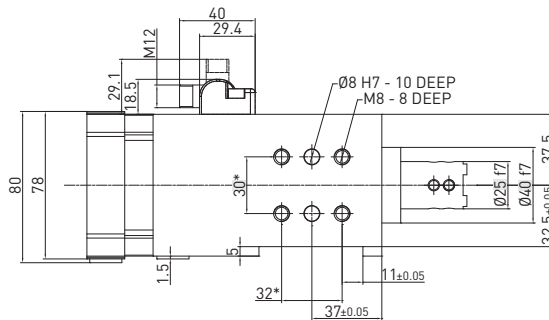
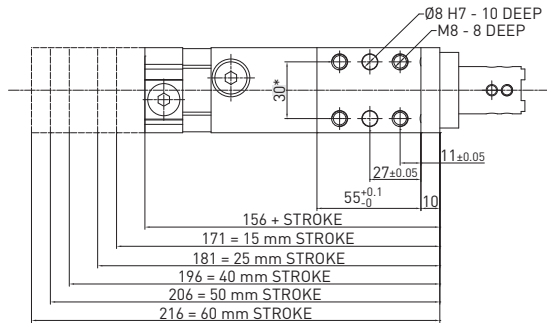
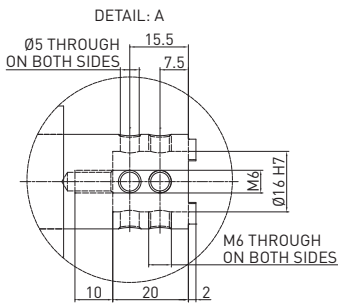
WEIGHT 0.94 kg
min. stroke version



* DIMENSIONAL TOLERANCE FOR DOWEL HOLES: ±0.02
DIMENSIONAL TOLERANCE FOR THREADED HOLES: ±0.1

REV. 02 - 12/01/2018

RP50E _1 / Retractable locating pin package - Size 50 mm - iØ 16 mm cross-cut key rod termination



WEIGHT 1.85 kg
min. stroke version

WEIGHT 2.1 kg
max. stroke version

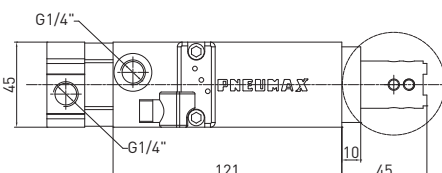
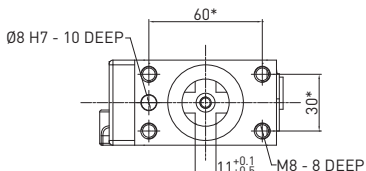
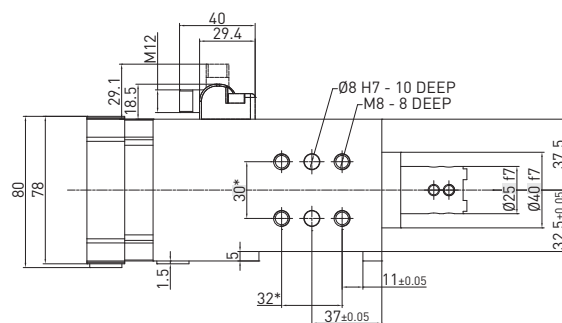
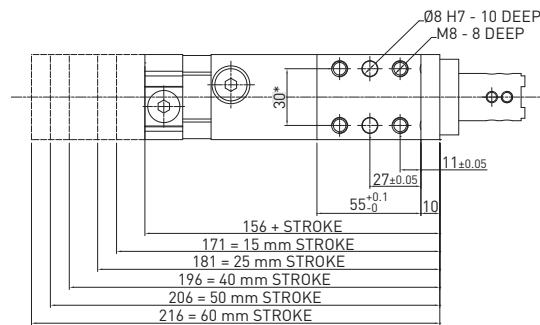
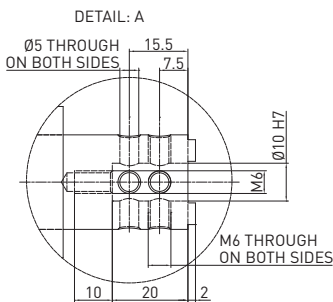
* DIMENSIONAL TOLERANCE FOR DOWEL HOLES: ±0.02

DIMENSIONAL TOLERANCE FOR THREADED HOLES: ±0.1

REV. 01 - 26/02/2016

LOCATING

RP50E _2 / Retractable locating pin package - Size 50 mm - iØ 10 mm cross-cut key rod termination



WEIGHT 1.85 kg
min. stroke version

WEIGHT 2.1 kg
max. stroke version

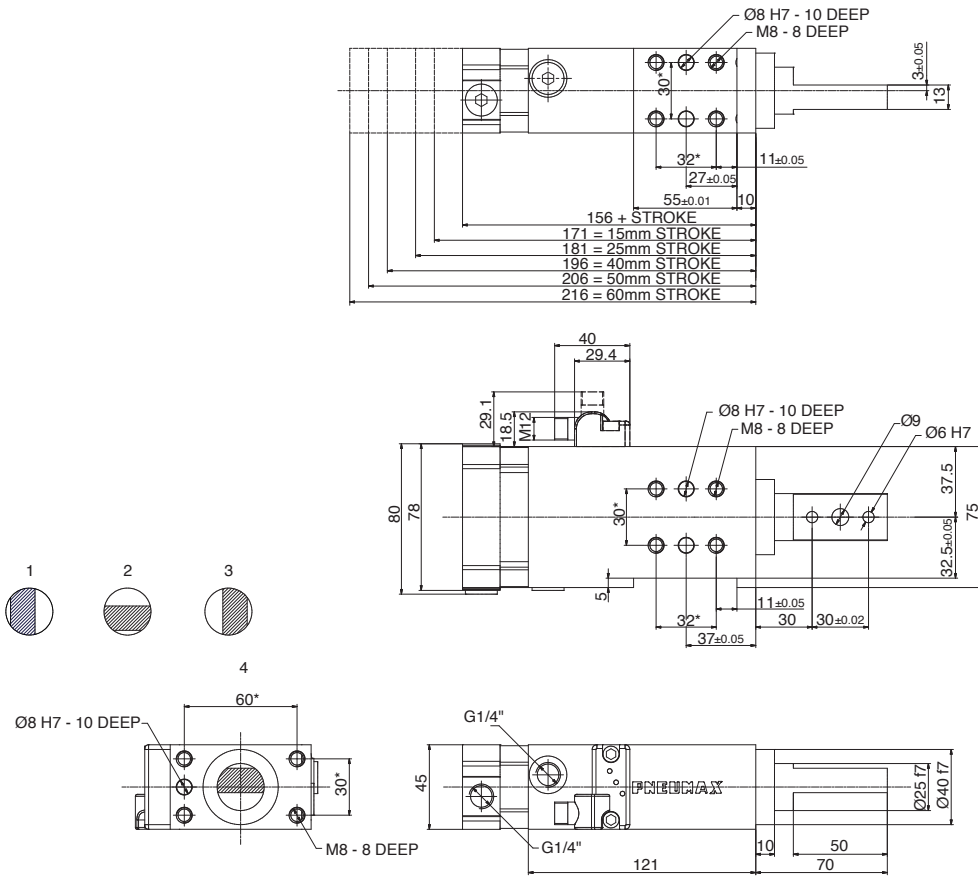
* DIMENSIONAL TOLERANCE FOR DOWEL HOLES: ±0.02

DIMENSIONAL TOLERANCE FOR THREADED HOLES: ±0.1

REV. 01 - 26/02/2016

RP50E_3 / Retractable locating pin package - Size 50 mm - Rod termination for offset pins

LOCATING



WEIGHT 1.85 kg
min. stroke version

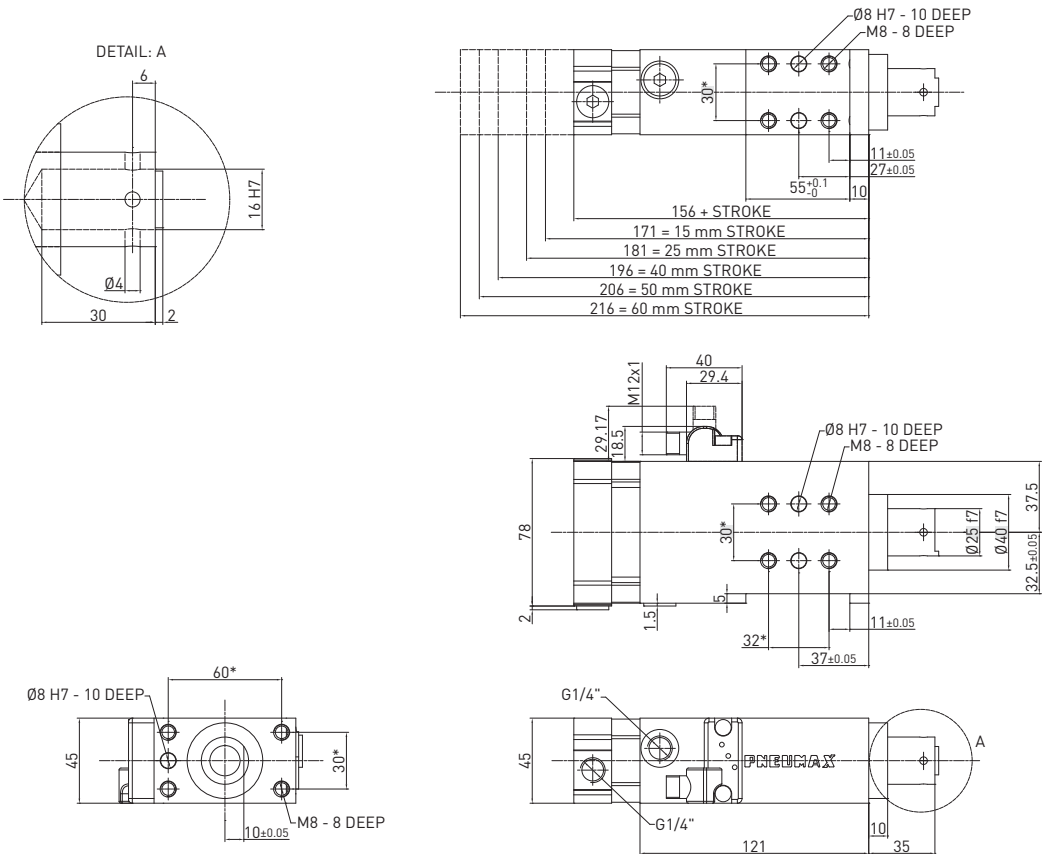
WEIGHT 2.1 kg
max. stroke version

* DIMENSIONAL
TOLERANCE FOR
DOWEL HOLES: ±0.02

DIMENSIONAL
TOLERANCE FOR
THREADED HOLES: ±0.1

REV. 01 - 29/05/2024

RP50E_4 / Retractable locating pin package - Size 50 mm - Rod termination with key



WEIGHT 1.85 kg
min. stroke version

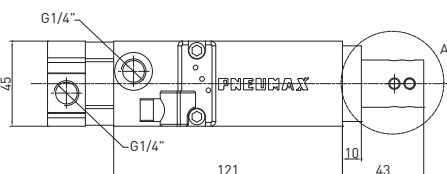
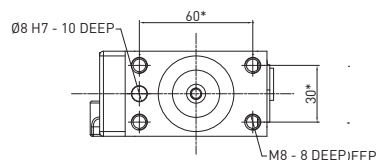
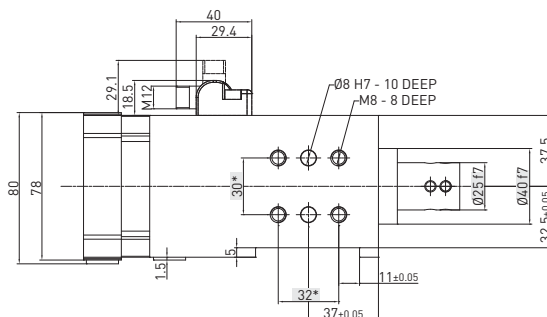
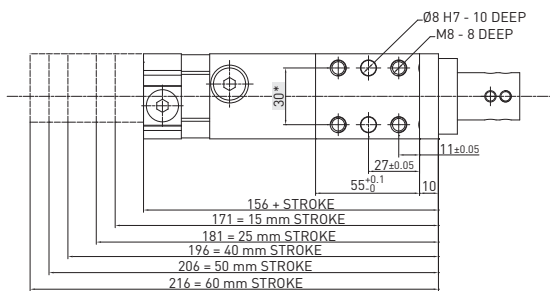
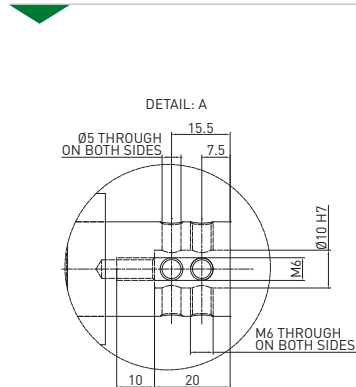
WEIGHT 2.1 kg
max. stroke version

* DIMENSIONAL
TOLERANCE FOR
DOWEL HOLES: ±0.02

DIMENSIONAL
TOLERANCE FOR
THREADED HOLES: ±0.1

REV. 02 - 31/03/2015

RP50E_5 / Retractable locating pin package - Size 50 mm - iØ 10 mm flat termination



WEIGHT 1.85 kg
min. stroke version

WEIGHT 2.1 kg
max. stroke version

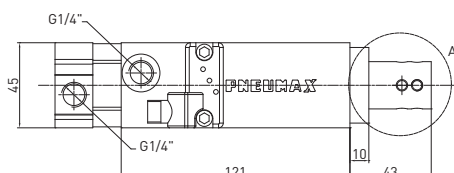
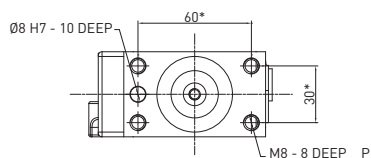
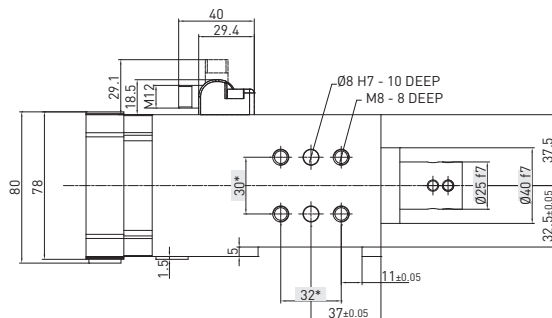
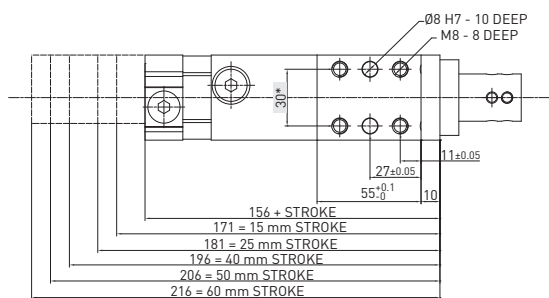
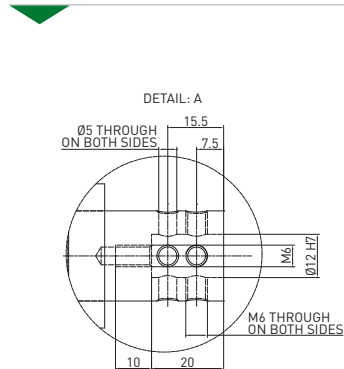
* DIMENSIONAL TOLERANCE FOR DOWEL HOLES: ±0.02

DIMENSIONAL TOLERANCE FOR THREADED HOLES: ±0.1

REV. 00 - 14/03/2016

LOCATING

RP50E_6 / Retractable locating pin package - Size 50 mm - iØ 12 mm flat termination



WEIGHT 1.85 kg
min. stroke version

WEIGHT 2.1 kg
max. stroke version

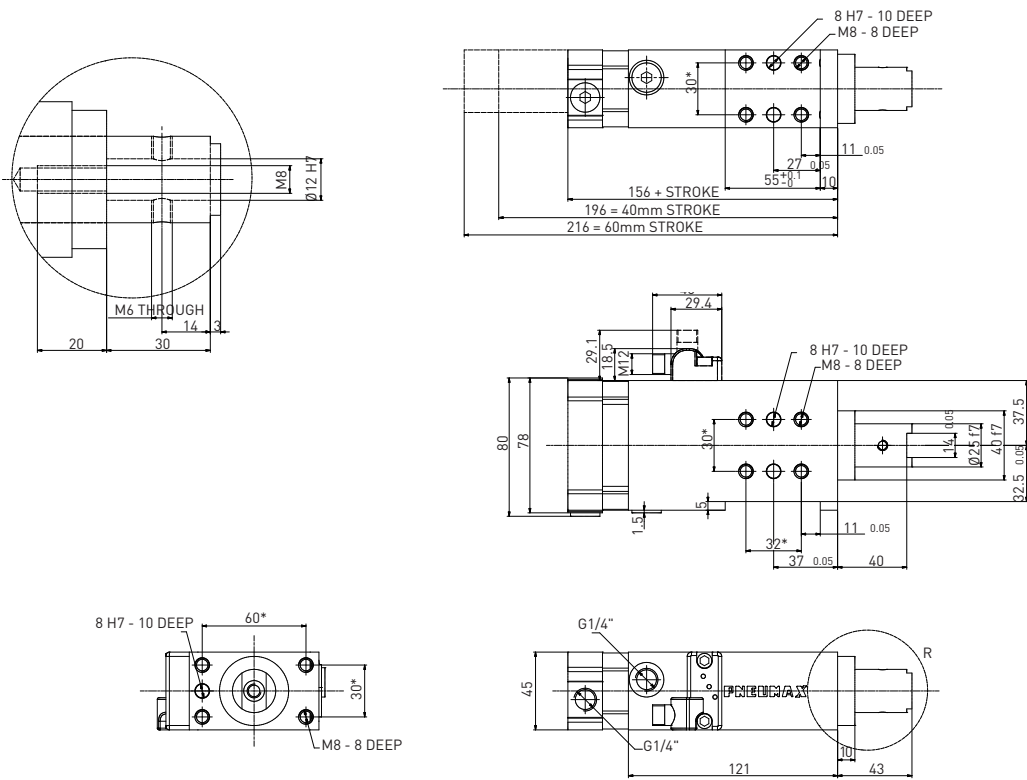
* DIMENSIONAL TOLERANCE FOR DOWEL HOLES: ±0.02

DIMENSIONAL TOLERANCE FOR THREADED HOLES: ±0.1

REV. 01 - 26/02/2016

RP50E_7 / Retractable locating pin package - Size 50 mm - iØ 12 mm CNOMO termination

LOCATING



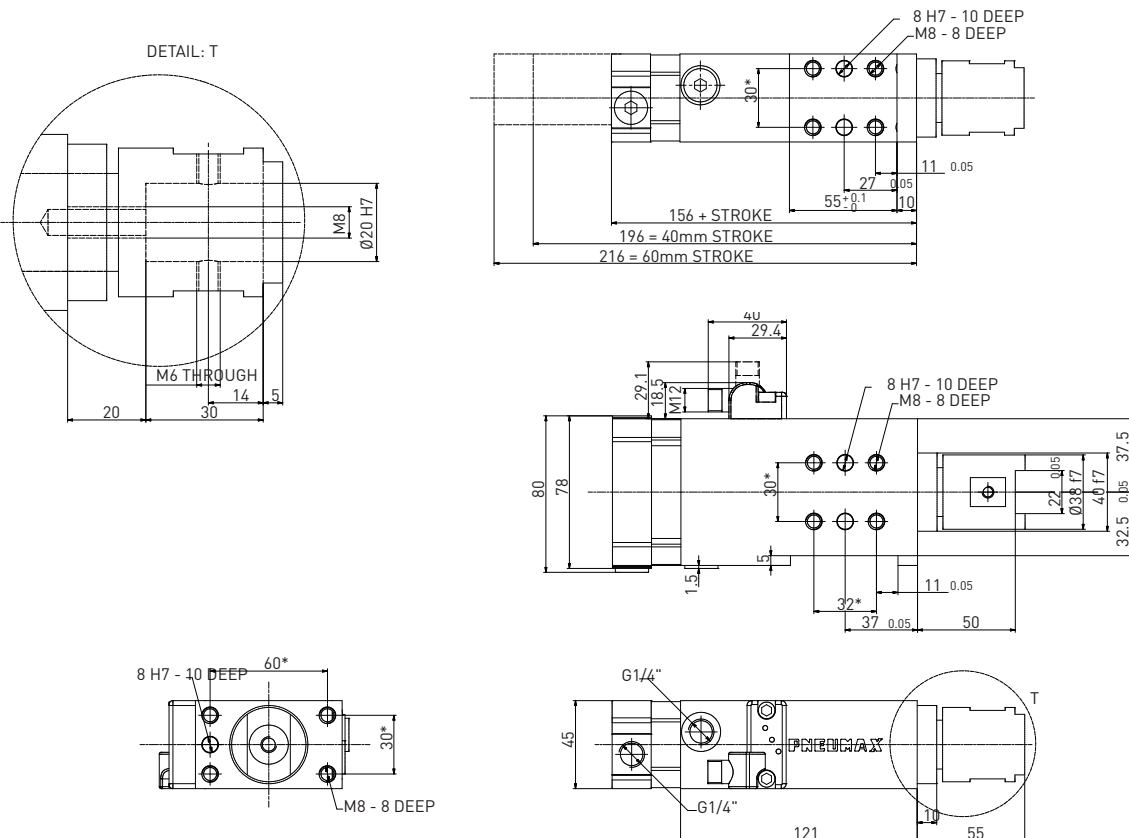
WEIGHT 1.85 kg
min. stroke version

WEIGHT 2.1 kg
max. stroke version

* DIMENSIONAL TOLERANCE FOR DOWEL HOLES: ±0.02
DIMENSIONAL TOLERANCE FOR THREADED HOLES: ±0.1

REV. 00 - 26/09/2017

RP50E_8 / Retractable locating pin package - Size 50 mm - iØ 20 mm CNOMO termination



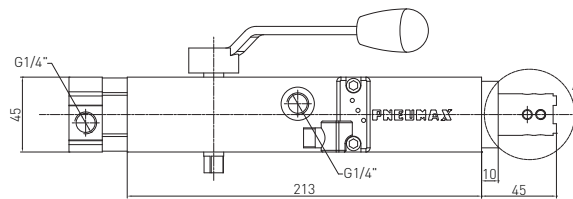
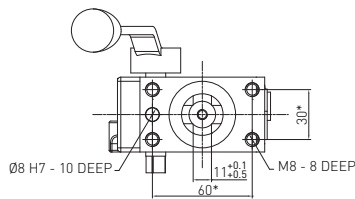
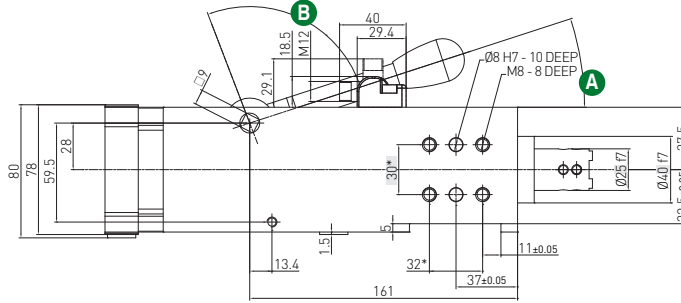
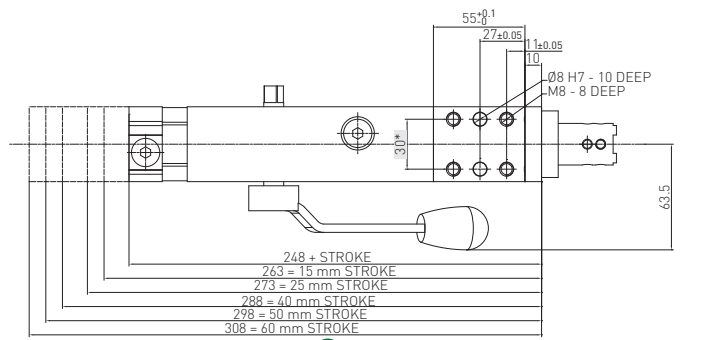
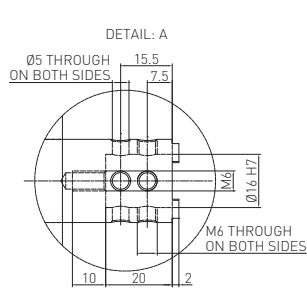
WEIGHT 1.85 kg
min. stroke version

WEIGHT 2.1 kg
max. stroke version

* DIMENSIONAL TOLERANCE FOR DOWEL HOLES: ±0.02
DIMENSIONAL TOLERANCE FOR THREADED HOLES: ±0.1

REV. 00 - 26/09/2017

RD250E_1 / Retractable locating pin package - Size 50 mm - iØ 16 mm cross-cut key rod termination with manual operation



WEIGHT 1.85 kg
min. stroke version

WEIGHT 3.1 kg
max. stroke version

Handle swivel angle

Stroke	A Handle swivel angle	B Handle swivel angle
15	90°	18°
25	70°	38°
40	42°	76°
50	25°	83°
60	15°	93°

Max Hand Force: 200 N

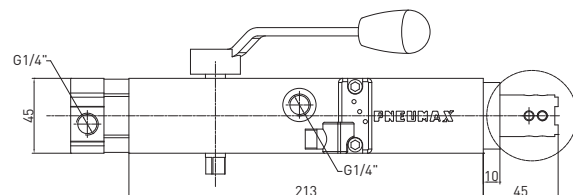
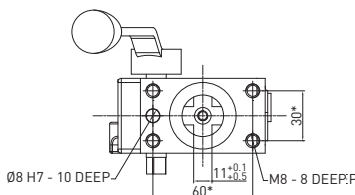
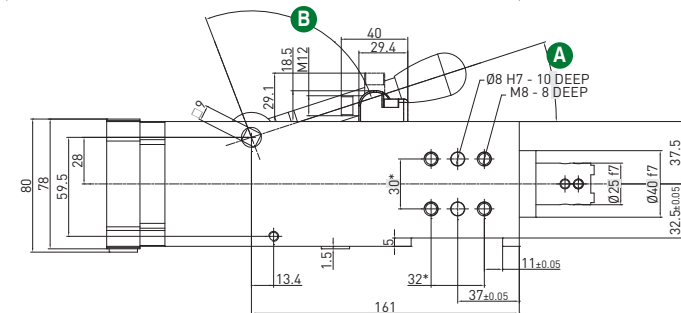
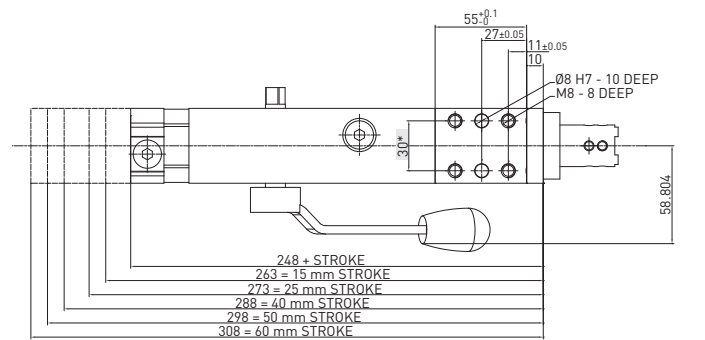
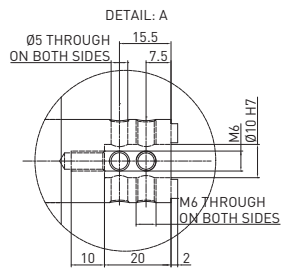
* DIMENSIONAL TOLERANCE FOR DOWEL HOLES: ±0.02

DIMENSIONAL TOLERANCE FOR THREADED HOLES: ±0.1

REV. 00 - 05/03/2018

LOCATING

RD250E_2 / Retractable locating pin package - Size 50 mm - iØ 10 mm cross-cut key rod termination with manual operation



WEIGHT 1.85 kg
min. stroke version

WEIGHT 3.1 kg
max. stroke version

Handle swivel angle

Stroke	A Handle swivel angle	B Handle swivel angle
15	90°	18°
25	70°	38°
40	42°	76°
50	25°	83°
60	15°	93°

Max Hand Force: 200 N

* DIMENSIONAL TOLERANCE FOR DOWEL HOLES: ±0.02

DIMENSIONAL TOLERANCE FOR THREADED HOLES: ±0.1

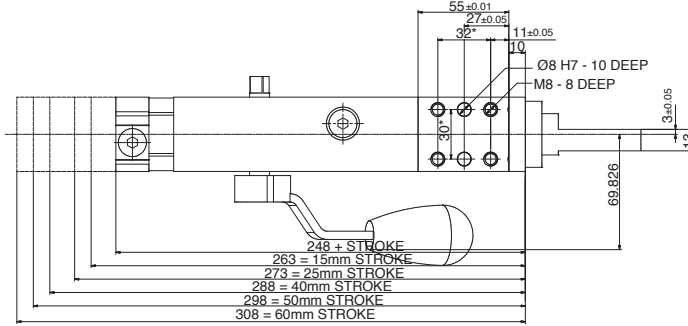
REV. 01 - 26/02/2016

RD250E_3 / Retractable locating pin package - Size 50 mm - Rod termination for offset pins with manual operation

WEIGHT 1.85 kg
min. stroke version

WEIGHT 3.1 kg
max. stroke version

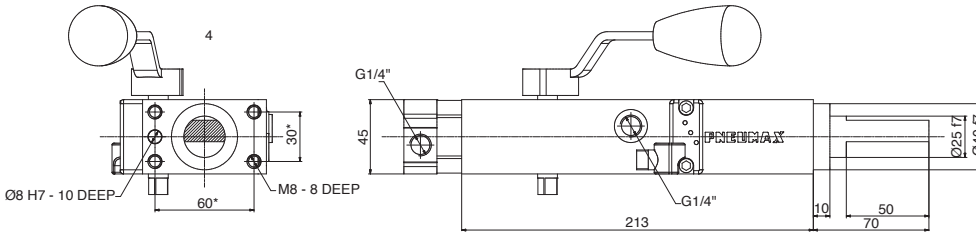
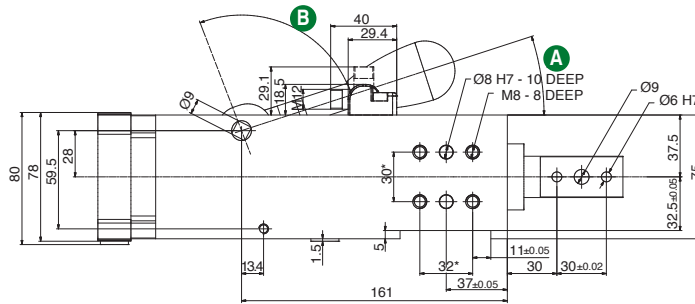
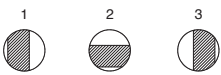
LOCATING



Handle swivel angle

Stroke	A Handle swivel angle	B Handle swivel angle
15	90°	18°
25	70°	38°
40	42°	76°
50	25°	83°
60	15°	93°

Max Hand Force: 200 N



* DIMENSIONAL
TOLERANCE FOR
DOWEL HOLES: ±0.02

DIMENSIONAL
TOLERANCE FOR
THREADED HOLES: ±0.1

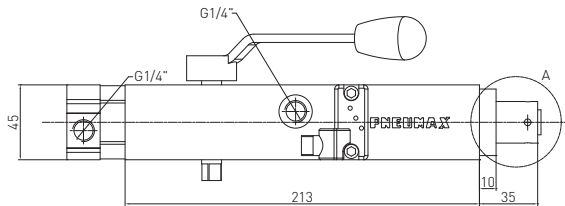
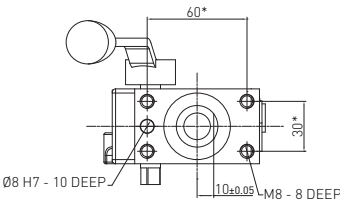
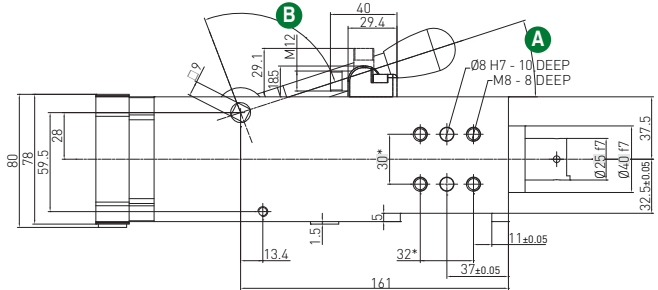
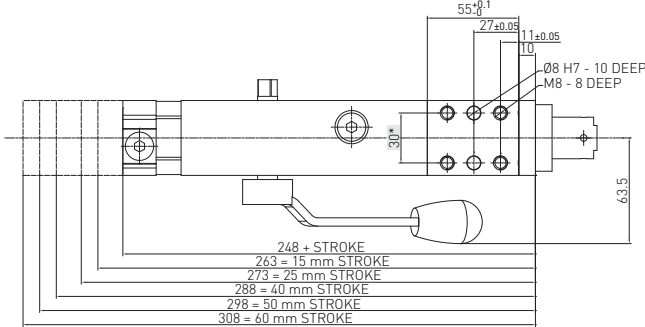
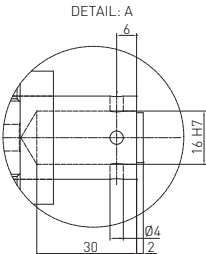
REV. 04 - 29/05/2024



RD250E _4 / Retractable locating pin package - Size 50 mm - Rod termination with key with manual operation

WEIGHT 2.85 kg
min. stroke version

WEIGHT 3.1 kg
max. stroke version



Handle swivel angle

Stroke	A Handle swivel angle	B Handle swivel angle
15	90°	18°
25	70°	38°
40	42°	76°
50	25°	83°
60	15°	93°

Max Hand Force: 200 N

* DIMENSIONAL
TOLERANCE FOR
DOWEL HOLES: ±0.02

DIMENSIONAL
TOLERANCE FOR
THREADED HOLES: ±0.1

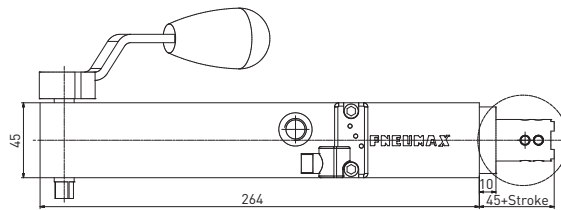
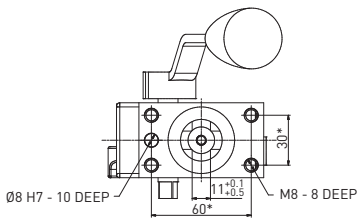
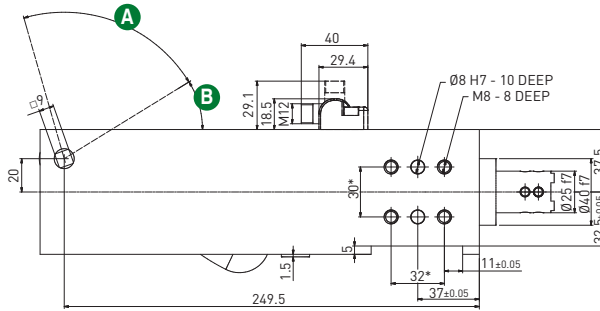
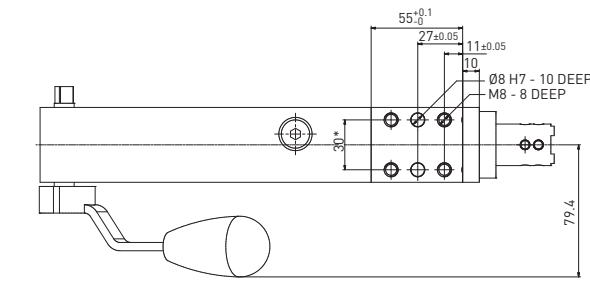
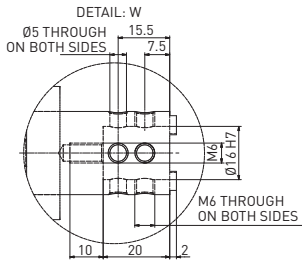
REV. 04 - 05/03/2018

LOCATING

RM250 _1 / Manual retractable locating pin package - Size 50 mm - iØ 16 mm cross-cut key rod termination

WEIGHT 3.2 kg

LOCATING



Max Hand Force: 200 N

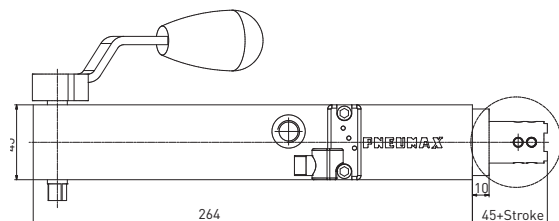
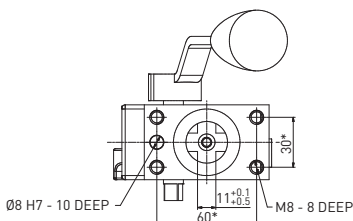
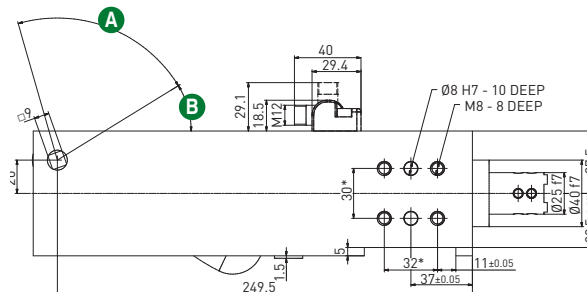
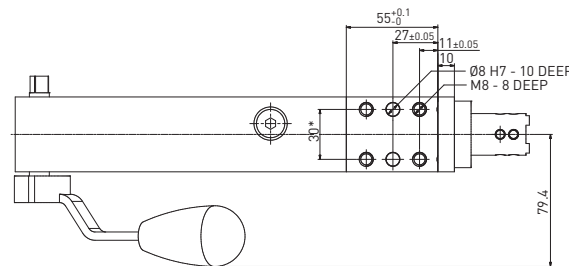
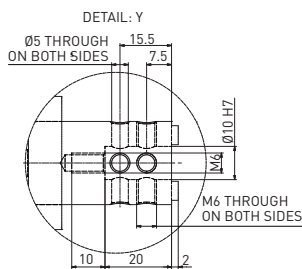
* DIMENSIONAL TOLERANCE FOR DOWEL HOLES: ± 0.02

DIMENSIONAL TOLERANCE FOR THREADED HOLES: ± 0.1

REV. 00 - 27/01/2022

RM250 _2 / Manual retractable locating pin package - Size 50 mm - iØ 16 mm cross-cut key rod termination

WEIGHT 3.2 kg



Max Hand Force: 200 N

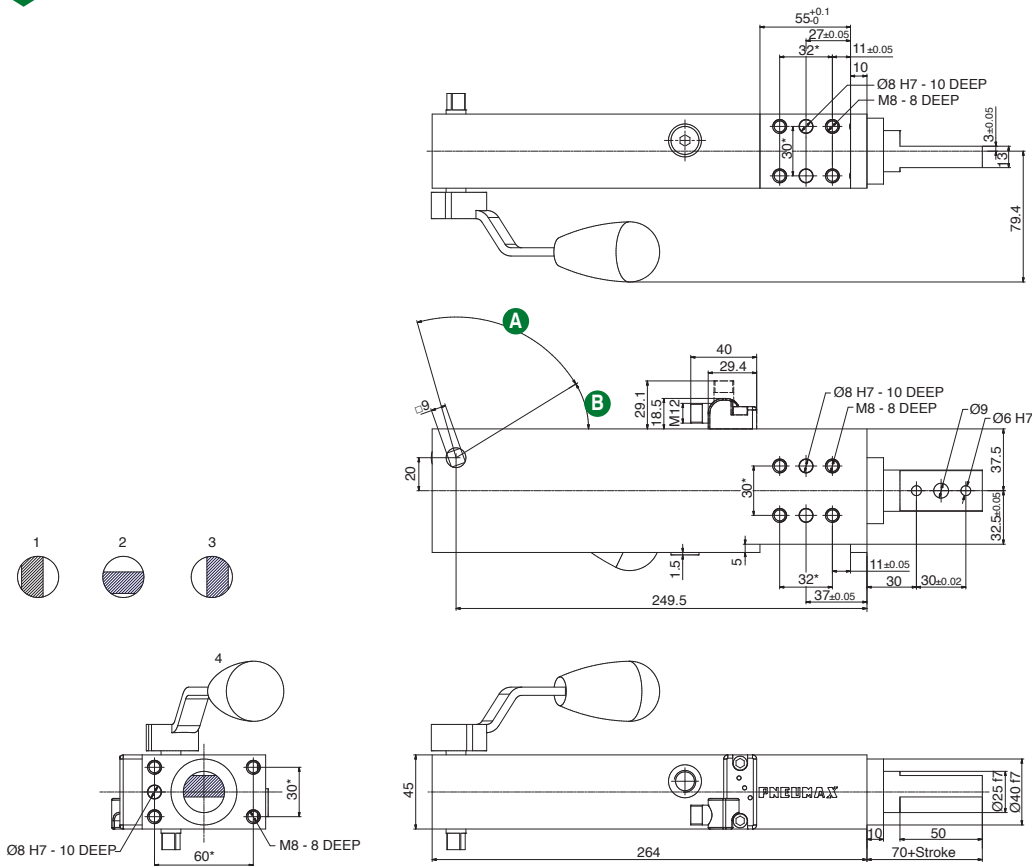
* DIMENSIONAL TOLERANCE FOR DOWEL HOLES: ± 0.02

DIMENSIONAL TOLERANCE FOR THREADED HOLES: ± 0.1

REV. 00 - 27/01/2022

RM250_3 / Manual retractable locating pin package - Size 50 mm - iØ 16 mm cross-cut key rod termination

WEIGHT 3.2 kg



Max Hand Force: 200 N

* DIMENSIONAL TOLERANCE FOR DOWEL HOLES: ±0.02

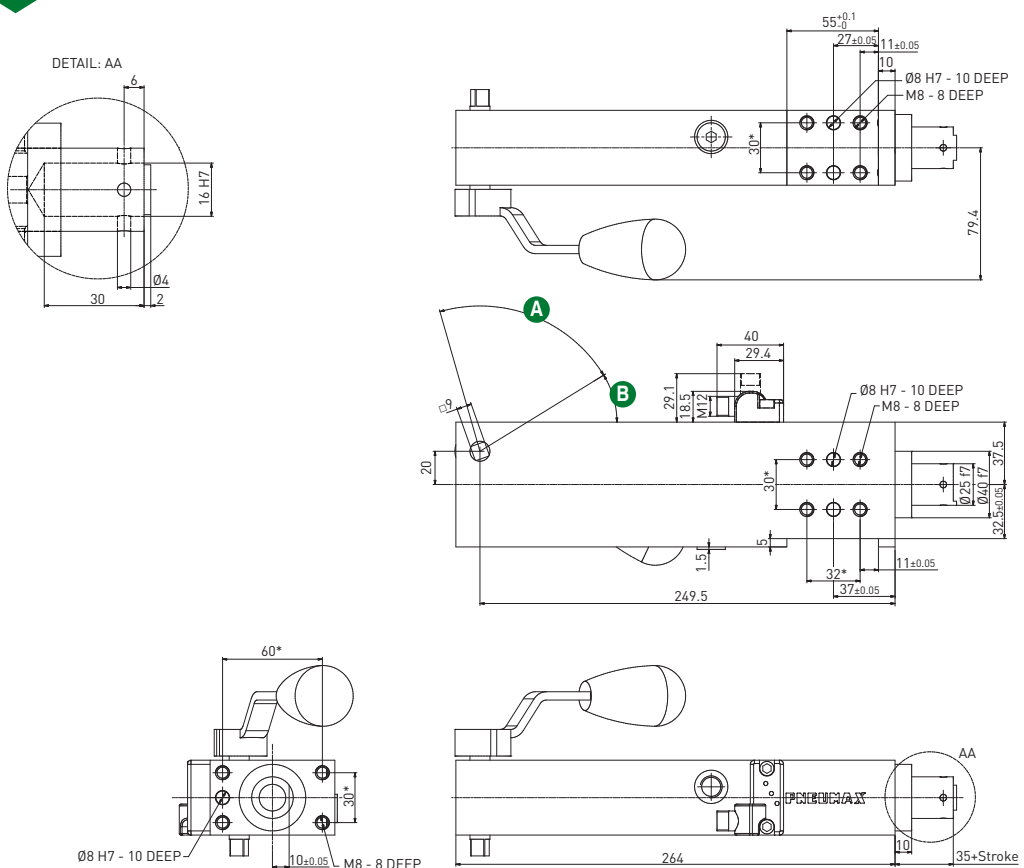
DIMENSIONAL TOLERANCE FOR THREADED HOLES: ±0.1

REV. 01 - 29/05/2024

LOCATING

RM250_4 / Manual retractable locating pin package - Size 50 mm - iØ 16 mm cross-cut key rod termination

WEIGHT 3.2 kg



Max Hand Force: 200 N

* DIMENSIONAL TOLERANCE FOR DOWEL HOLES: ±0.02

DIMENSIONAL TOLERANCE FOR THREADED HOLES: ±0.1

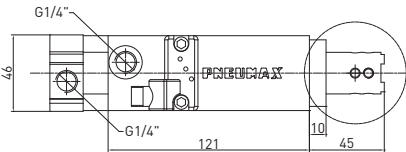
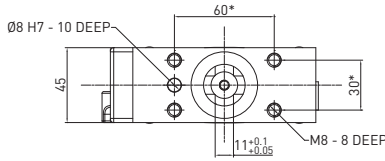
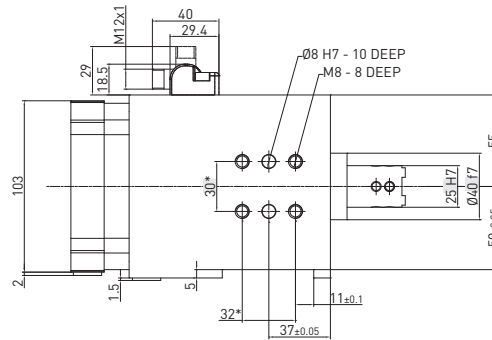
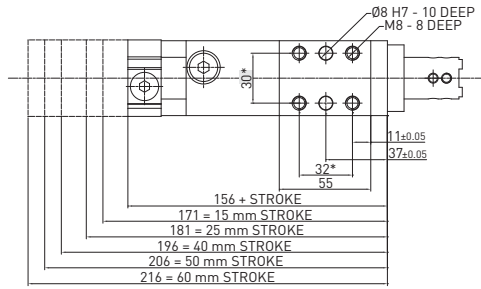
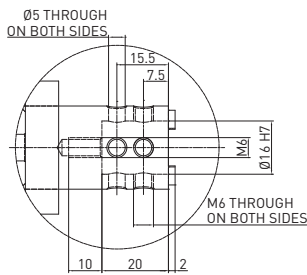
REV. 00 - 27/01/2022

RP63E _1 / Retractable locating pin package - Size 63 mm - iØ 16 mm cross-cut key rod termination

WEIGHT 2.45 kg
min. stroke version

WEIGHT 2.75 kg
max. stroke version

DETAIL: A



* DIMENSIONAL
TOLERANCE FOR
DOWEL HOLES: ±0.02

DIMENSIONAL
TOLERANCE FOR
THREADED HOLES: ±0.1

REV. 01 - 29/02/2016

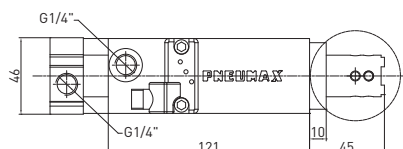
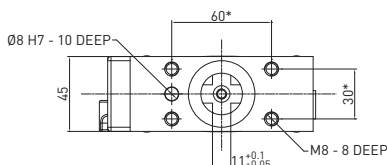
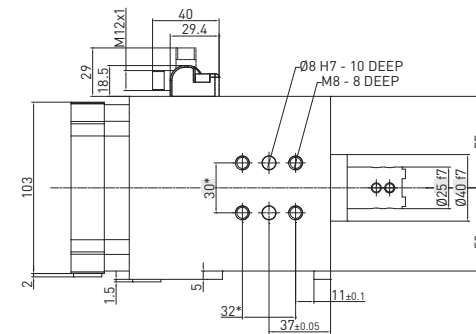
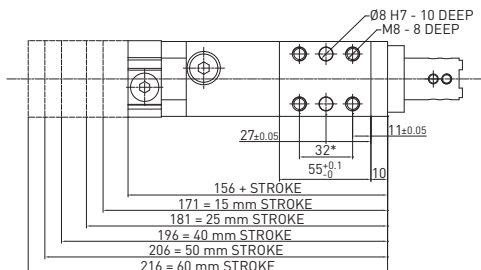
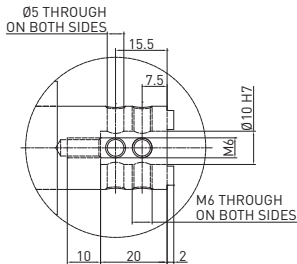
LOCATING

RP63E _2 / Retractable locating pin package - Size 63 mm - iØ 10 mm cross-cut key rod termination

WEIGHT 2.45 kg
min. stroke version

WEIGHT 2.75 kg
max. stroke version

DETAIL: A



* DIMENSIONAL
TOLERANCE FOR
DOWEL HOLES: ±0.02

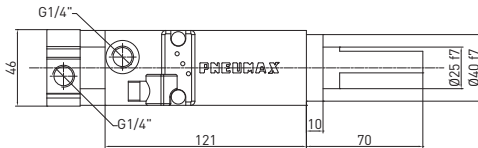
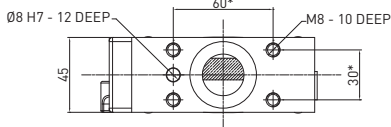
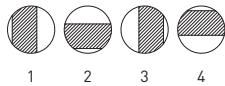
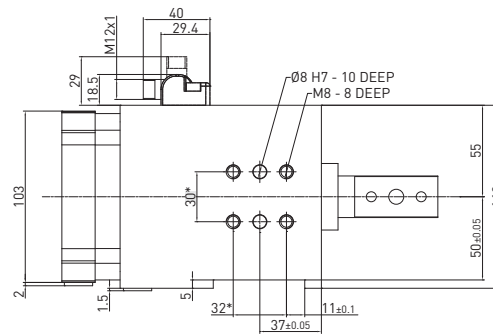
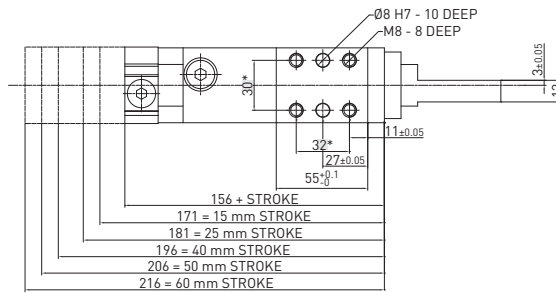
DIMENSIONAL
TOLERANCE FOR
THREADED HOLES: ±0.1

REV. 01 - 29/02/2016

RP63E_3 / Retractable locating pin package - Size 63 mm - Rod termination for offset pins

WEIGHT 2.45 kg
min. stroke version

WEIGHT 2.75 kg
max. stroke version



* DIMENSIONAL
TOLERANCE FOR
DOWEL HOLES: ±0.02

DIMENSIONAL
TOLERANCE FOR
THREADED HOLES: ±0.1

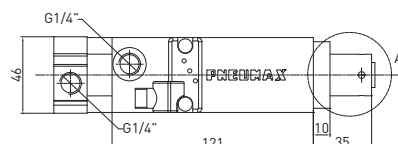
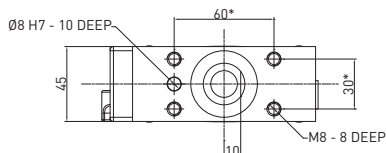
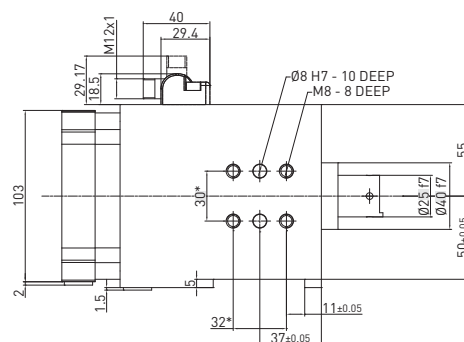
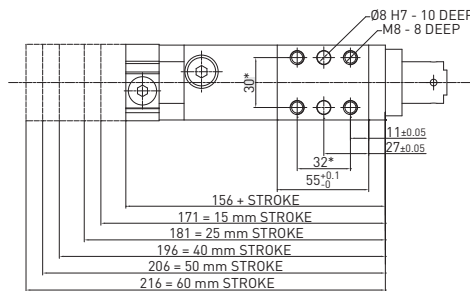
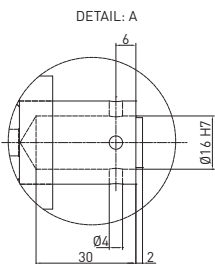
REV. 00 - 31/03/2015

LOCATING

RP63E_4 / Retractable locating pin package - Size 63 mm - Rod termination with key

WEIGHT 2.45 kg
min. stroke version

WEIGHT 2.75 kg
max. stroke version



* DIMENSIONAL
TOLERANCE FOR
DOWEL HOLES: ±0.02

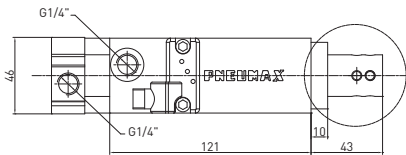
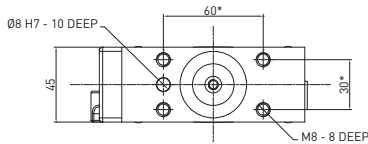
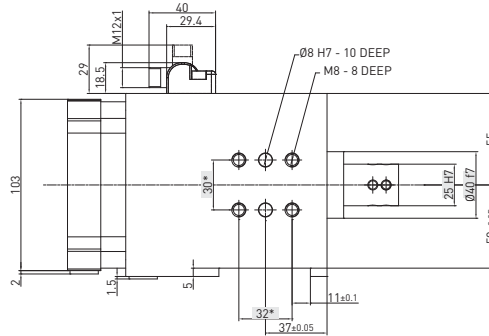
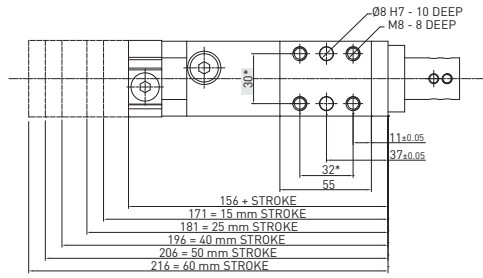
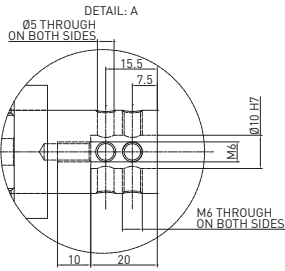
DIMENSIONAL
TOLERANCE FOR
THREADED HOLES: ±0.1

REV. 00 - 31/03/2015

RP63E_5 / Retractable locating pin package - Size 63 mm - iØ 10 mm flat termination

WEIGHT 2.45 kg
min. stroke version

WEIGHT 2.75 kg
max. stroke version



* DIMENSIONAL
TOLERANCE FOR
DOWEL HOLES: ±0.02

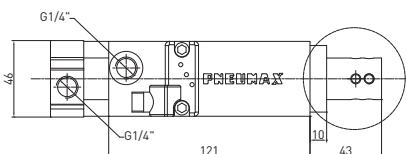
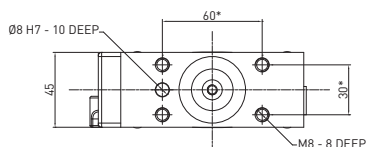
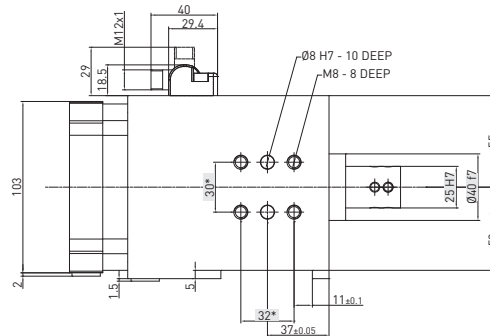
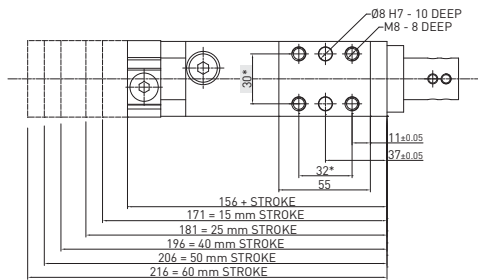
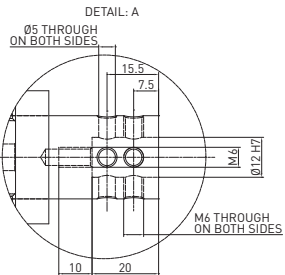
DIMENSIONAL
TOLERANCE FOR
THREADED HOLES: ±0.1

REV. 00 -15/03/2016

RP63E_6 / Retractable locating pin package - Size 63 mm - iØ 12 mm flat termination

WEIGHT 2.45 kg
min. stroke version

WEIGHT 2.75 kg
max. stroke version



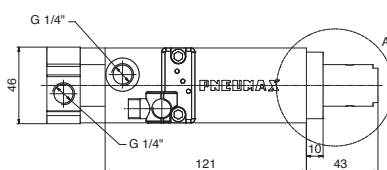
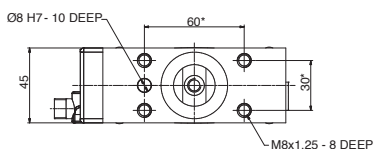
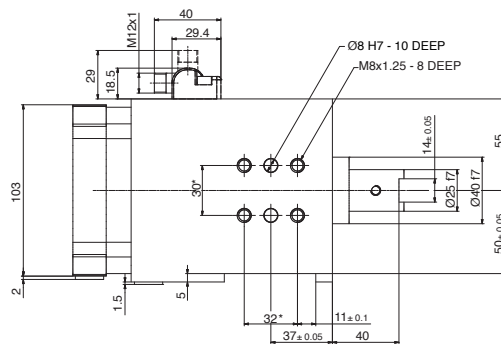
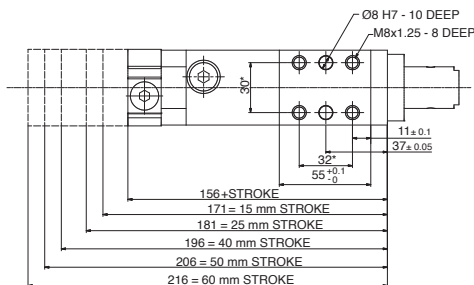
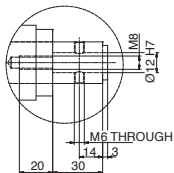
* DIMENSIONAL
TOLERANCE FOR
DOWEL HOLES: ±0.02

DIMENSIONAL
TOLERANCE FOR
THREADED
HOLES: ±0.1

REV. 00 -15/03/2016

RP63E_7 / Retractable locating pin package - Size 63 mm - iØ 12 mm flat termination

DETAIL: A



WEIGHT 2.45 kg
min. stroke version

WEIGHT 2.75 kg
max. stroke version

* DIMENSIONAL
TOLERANCE FOR
DOWEL HOLES: ±0.02

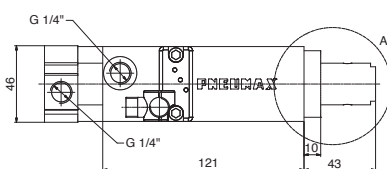
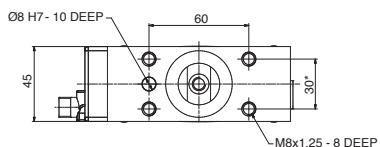
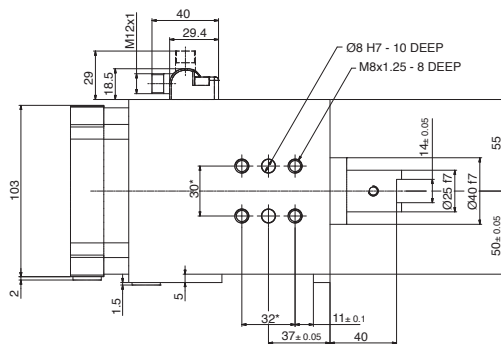
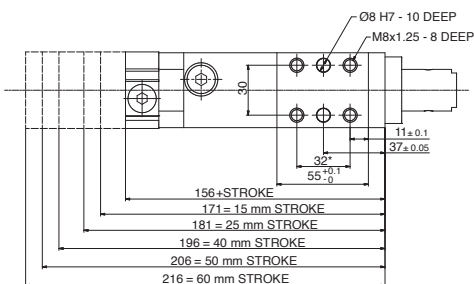
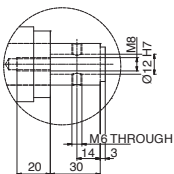
DIMENSIONAL
TOLERANCE FOR
THREADED HOLES: ±0.1

REV. 00 -15/03/2016

LOCATING

RP63E_8 / Retractable locating pin package - Size 63 mm - iØ 12 mm flat termination

DETAIL: A



WEIGHT 2.45 kg
min. stroke version

WEIGHT 2.75 kg
max. stroke version

* DIMENSIONAL
TOLERANCE FOR
DOWEL HOLES: ±0.02

DIMENSIONAL
TOLERANCE FOR THREADED
HOLES: ±0.1

REV. 00 -15/03/2016

RT-Series



Retractable locating pin packages with toggle linkage

- Fully encapsulated toggle mechanism: in case of air loss, the working position remains secure
- Manual unlock mechanism to disengage the linkage in emergency situations
- Position repeatability ± 0.05 mm
- Clear design with user-friendly surfaces and no dirt or welding deposit traps

LOCATING

Technical features

Pneumatic ports on both sides of the cylinder.

Operating features

Operating pressure from 2 to 8 bar / from 30 to 115 psi

Lubrication all the devices are lubricated for life at the factory. Inline air lubrication isn't required

Functional charts

Size 40 mm

• Max deflection (at 100 mm)

40 mm	0.5	0.004	0.009	0.004
	1	0.009	0.02	0.009
	1.5	0.013	0.032	0.013
	2	0.018	0.047	0.018
	2.5	0.022	0.66	0.022
	3	0.026	0.075	0.026

• Functional data (at 5 bar / 72.5 psi)

Thrust force at end stroke	2700 N
----------------------------	--------

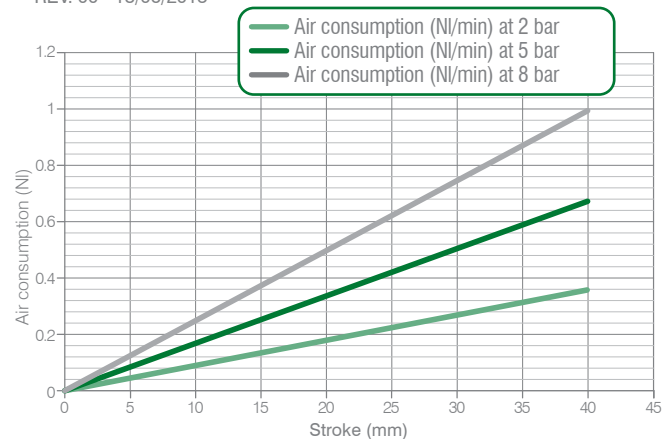
• Cycle time for max stroke

< 0.8 s **NO flow valve required**

• Air consumption

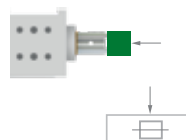
Air consumption for complete cycle

REV. 00 - 18/06/2015



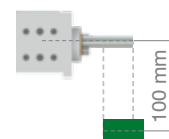
Load position **A**

Horizontal mounting position of the retractable locating pin/load centre on the rod



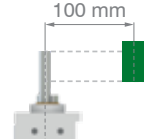
Load position **B**

Horizontal mounting position of the retractable locating pin/load centre at 100 mm from the rod axis



Load position **C**

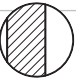
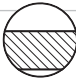

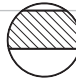
Vertical mounting position of the retractable locating pin/load centre at 100 mm from the rod axis

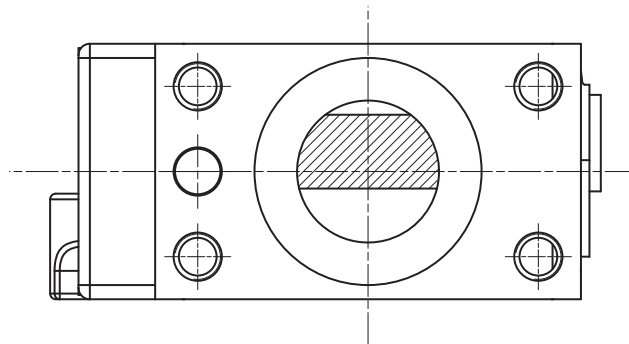


RT-Series / Ordering string

RT_40-Series

R **T** **40** **E** **40** **G** **3** **1**

R	VERSION	R = retractable locating pin package with toggle lock
T	OPERATION	T = pneumatic with toggle lock TD = pneumatic with manual operation and toggle lock
40	SIZE	40 = Ø 40 mm
E	SENSOR	E = electronic sensor with M12 swivel connector -PNP
40	STROKE	40 = 40 mm
G	PORTS	G = G thread – BSPP
3	ROD TERMINATION	1 = iØ 16 mm cross-cut key rod termination 3 = rod termination for offset pins
1	ROD ORIENTATION (for termination type 3)	1 =  2 =  3 =  4 = 

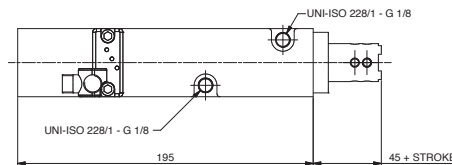
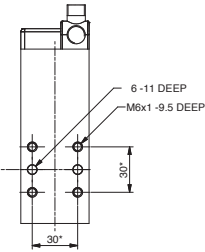
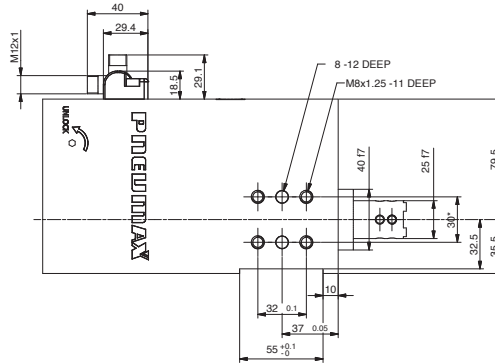
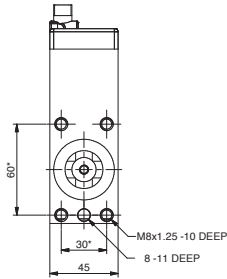
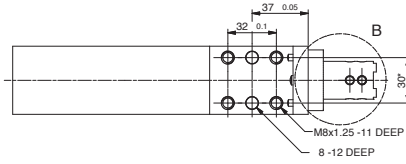
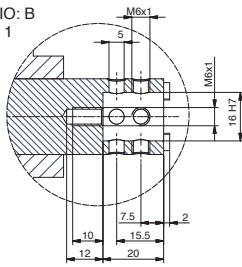


LOCATING

RT40E40G1 / Retractable locating pin package with toggle lock - Size 40 mm - iØ 16 mm cross-cut key rod termination

WEIGHT 3,33 kg

DETTAGLIO: B
SCALA 1 : 1



* DIMENSIONAL
TOLERANCE FOR
DOWEL HOLES: ± 0.02

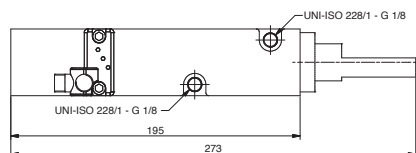
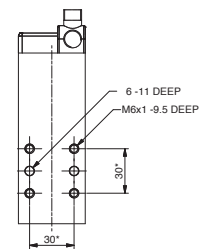
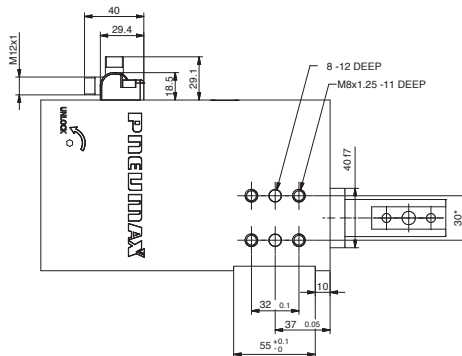
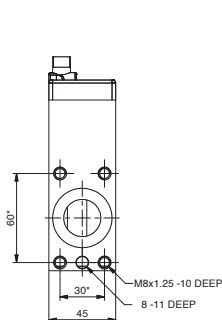
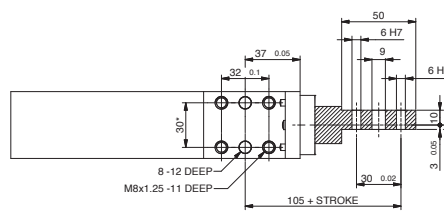
DIMENSIONAL
TOLERANCE FOR
THREADED HOLES: ± 0.1

REV. 00 - 23/07/2021

LOCATING

RT40E40G3_ / Retractable locating pin package with toggle lock and manual operation - Size 40 mm rod termination for offset pins

WEIGHT 3,9 kg



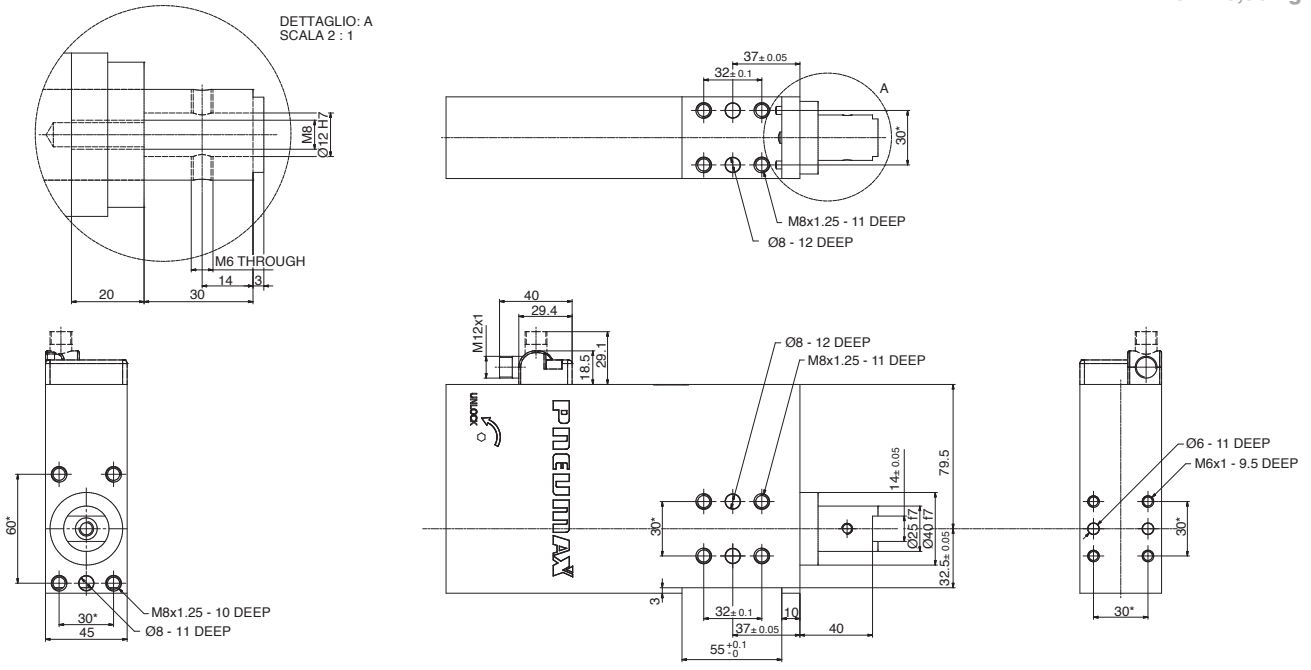
* DIMENSIONAL
TOLERANCE FOR
DOWEL HOLES: ± 0.02

DIMENSIONAL
TOLERANCE FOR
THREADED HOLES: ± 0.1

REV. 01 - 30/06/2022

RT40E40G7 / Retractable locating pin package with toggle lock - Size 40 mm - iØ 12 mm cross-cut key rod termination

WEIGHT 3,56 kg



* DIMENSIONAL TOLERANCE FOR DOWEL HOLES: ±0.02

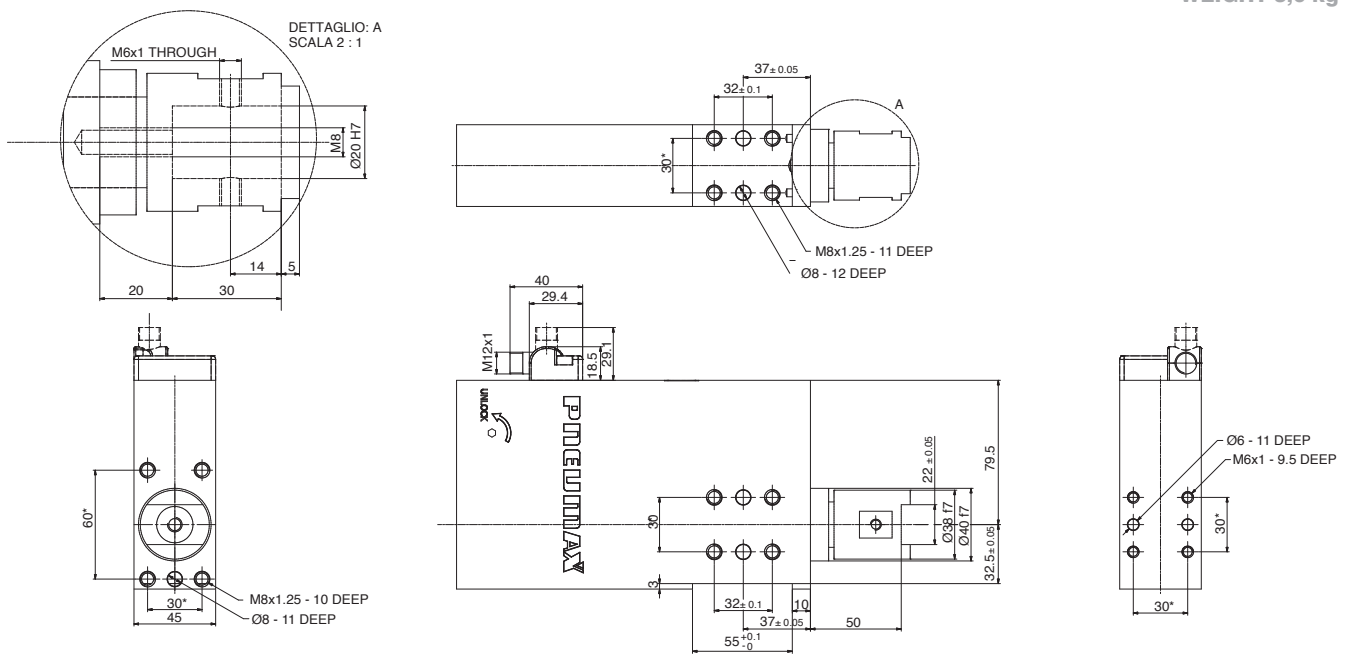
DIMENSIONAL TOLERANCE FOR THREADED HOLES: ±0.1

REV. 00 - 29/02/2024

LOCATING

RT40E40G8 / Retractable locating pin package with toggle lock - Size 40 mm - iØ 20 mm cross-cut key rod termination

WEIGHT 3,6 kg



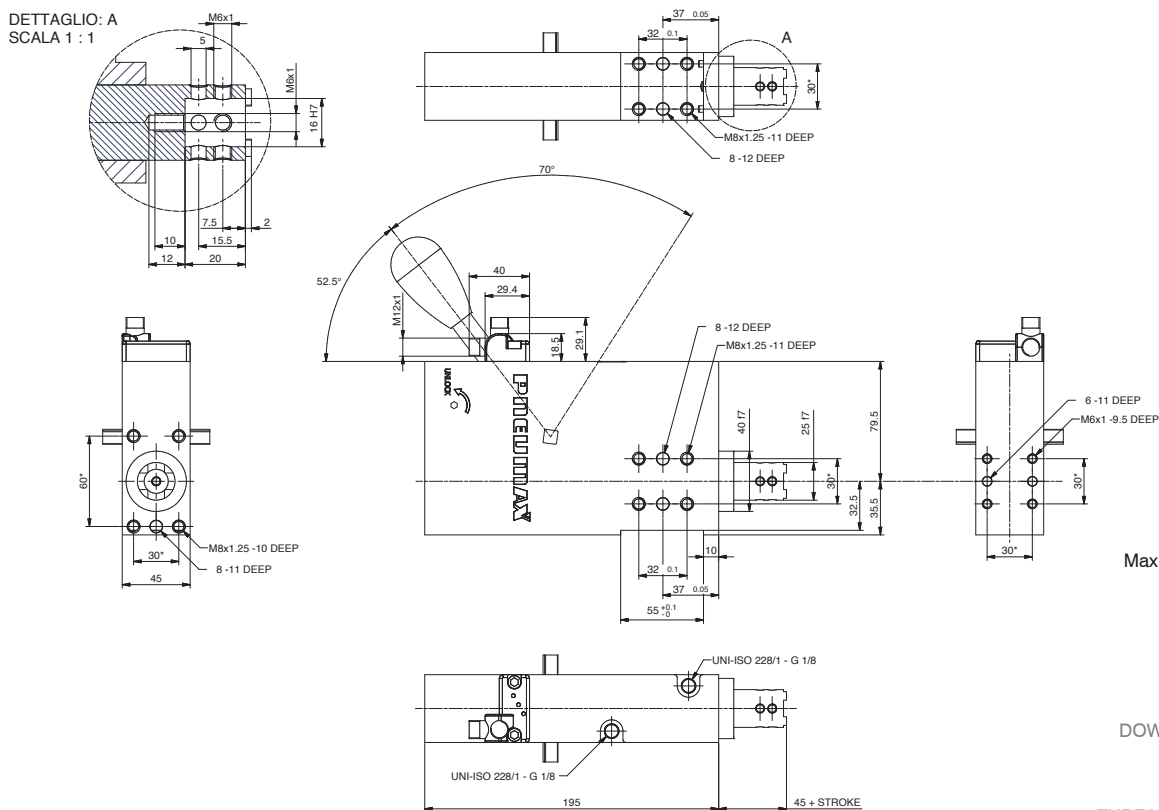
* DIMENSIONAL TOLERANCE FOR DOWEL HOLES: ±0.02

DIMENSIONAL TOLERANCE FOR THREADED HOLES: ±0.1

REV. 00 - 29/02/2024

RTD40E40G1 / Retractable locating pin package with toggle lock and manual operation - Size 40 mm
 ∅ 16 mm cross-cut key rod termination

WEIGHT 3,58 kg
 Handle included



Max Hand Force: 200 N

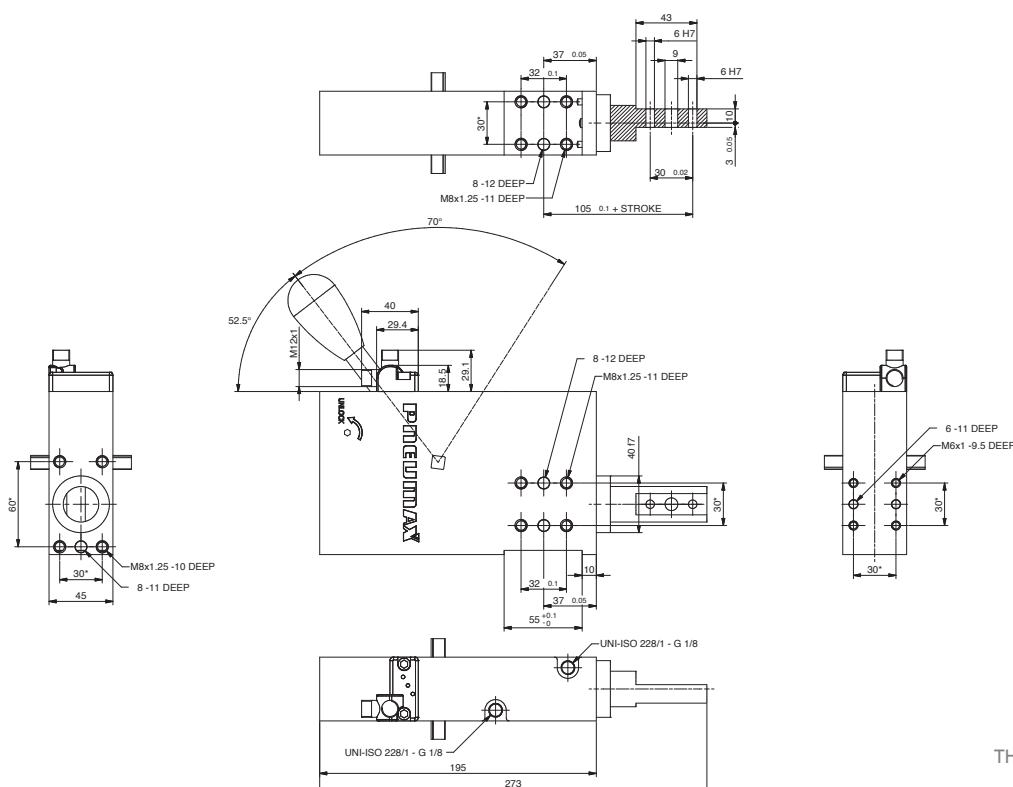
* DIMENSIONAL
 TOLERANCE FOR
 DOWEL HOLES: ±0.02

DIMENSIONAL
 TOLERANCE FOR
 THREADED HOLES: ±0.1

REV. 00 - 23/07/2021

RTD40E40G3 / Retractable locating pin package with toggle lock and manual operation - Size 40 mm
 rod termination for offset pins

WEIGHT 3,9 kg
 Handle included



Max Hand Force: 200 N

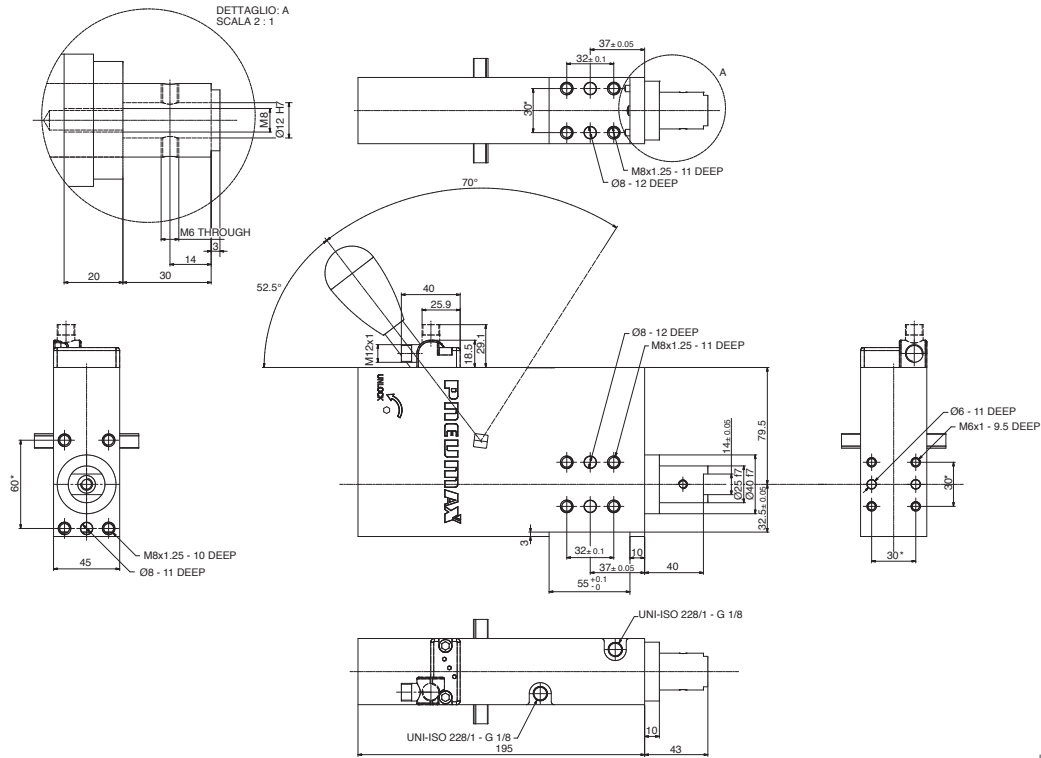
* DIMENSIONAL
 TOLERANCE FOR
 DOWEL HOLES: ±0.02

DIMENSIONAL
 TOLERANCE FOR
 THREADED HOLES: ±0.1

REV. 01 - 30/06/2022

RTD40E40G7 / Retractable locating pin package with toggle lock and manual operation - Size 40 mm
 iØ 12 mm cross-cut key rod termination

WEIGHT 3,72 kg
 Handle included



Max Hand Force: 200 N

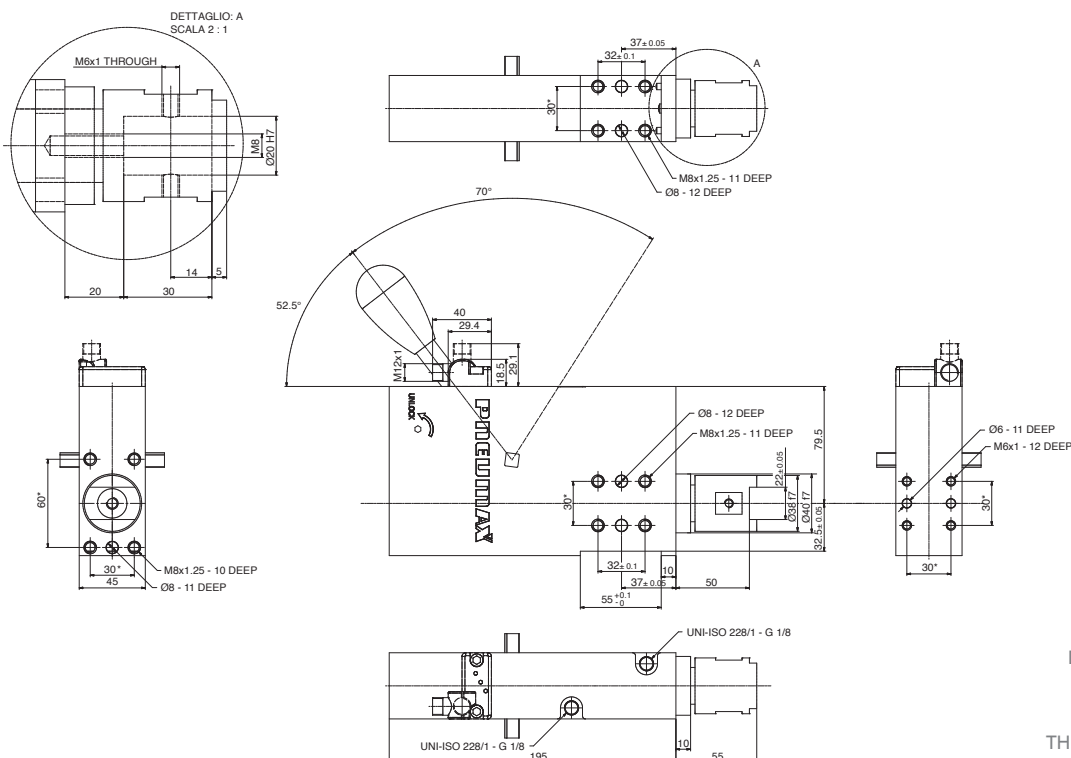
* DIMENSIONAL TOLERANCE FOR DOWEL HOLES: ± 0.02

DIMENSIONAL TOLERANCE FOR THREADED HOLES: ± 0.1

REV. 00 - 29/02/2024

RTD40E40G8 / Retractable locating pin package with toggle lock and manual operation - Size 40 mm
 iØ 20 mm cross-cut key rod termination

WEIGHT 3,9 kg
 Handle included



Max Hand Force: 200 N

* DIMENSIONAL TOLERANCE FOR DOWEL HOLES: ± 0.02

DIMENSIONAL TOLERANCE FOR THREADED HOLES: ± 0.1

REV. 00 - 29/02/2024

RC-Series

CNOMO



Retractable locating pin packages with CNOMO mounting pattern

Technical features

Pneumatic ports on both sides of the cylinder.

Operating features

Operating pressure	from 2 to 8 bar / from 30 to 115 psi
Lubrication	all the devices are lubricated for life at the factory. Inline air lubrication isn't required

Functional charts

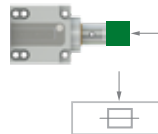
Ø 50 mm

• Max deflection

Stroke	Load (kg)	Load position A deviation (mm)	Load position B deviation (mm)	Load position C deviation (mm)	Load position D deviation (mm)
50 mm	0.5	0.006	0.009	0.007	0.03
	1	0.013	0.02	0.018	0.07
	1.5	0.021	0.032	0.028	0.1
	2	0.026	0.047	0.043	0.12
	2.5	0.032	0.66	0.057	-
	3	0.037	0.075	0.068	-
25 mm	0.5	0	0.005	0	0.01
	1	0.005	0.015	0.005	0.03
	1.5	0.007	0.032	0.007	0.06
	2	0.011	0.047	0.011	0.08
	2.5	0.012	0.66	0.012	-
	3	0.014	0.075	0.014	-

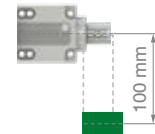
Load position **A**

Horizontal mounting position of the retractable locating pin/load centre on the rod



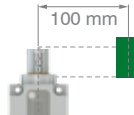
Load position **B**

Horizontal mounting position of the retractable locating pin/load centre at 100 mm from the rod axis



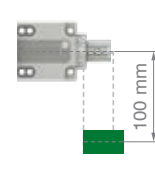
Load position **C**

Vertical mounting position of the retractable locating pin/load centre at 100 mm from the rod axis



Load position **D**

100 mm in z



• Functional data (at 5 bar / 72.5 psi)

Thrust force	825 N
Pull force	980 N
Max bending moment	3 N m / 2.21 lb-ft
Max distance from the load centre to the rod	200 mm
Interchangeability of the mounting	± 0,05 mm
Interchangeability of the mounting to the rod termination	± 0,15 mm
Rod output repeatability	± 0,04 mm
Protection degree:	IP 56 for pin packages IP67 for sensor
Operating temperature	-0 °C + 50 °C
Storage temperature	-25 °C + 60 °C

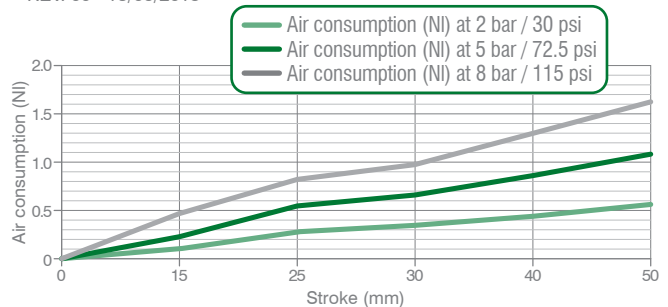
• Cycle time for max stroke

< 0.8 s **NO flow valve required**

• Air consumption

Air consumption for complete cycle

REV. 00 - 18/06/2015



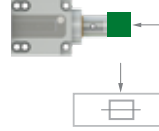
Size 63 mm

• Max deflection

Stroke	Load (kg)	Load position A deviation (mm)	Load position B deviation (mm)	Load position C deviation (mm)	Load position D deviation (mm)
50 mm	0.5	0.006	0.009	0.007	0.03
	1	0.013	0.02	0.018	0.07
	1.5	0.021	0.032	0.028	0.1
	2	0.026	0.047	0.043	0.12
	2.5	0.032	0.66	0.057	-
	3	0.037	0.075	0.068	-
25 mm	0.5	0	0.005	0	0.01
	1	0.005	0.015	0.005	0.03
	1.5	0.007	0.032	0.007	0.06
	2	0.011	0.047	0.011	0.08
	2.5	0.012	0.66	0.012	-
	3	0.014	0.075	0.014	-

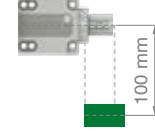
Load position **A**

Horizontal mounting position of the retractable locating pin/load centre on the rod



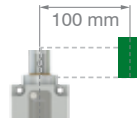
Load position **B**

Horizontal mounting position of the retractable locating pin/load centre at 100 mm from the rod axis



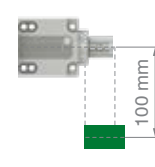
Load position **C**

Vertical mounting position of the retractable locating pin/load centre at 100 mm from the rod axis



Load position **D**

100 mm in z



• Functional data (at 5 bar / 72.5 psi)

Thrust force	825 N
Pull force	980 N
Max bending moment	3 N m / 2.21 lb-ft
Max distance from the load centre to the rod	200 mm
Interchangeability of the mounting	± 0,05 mm
Interchangeability of the mounting to the rod termination	± 0,15 mm
Rod output repeatability	± 0,04 mm
Protection degree:	IP 56 for pin packages IP67 for sensor
Operating temperature	-0 °C + 50 °C
Storage temperature	-25 °C + 60 °C

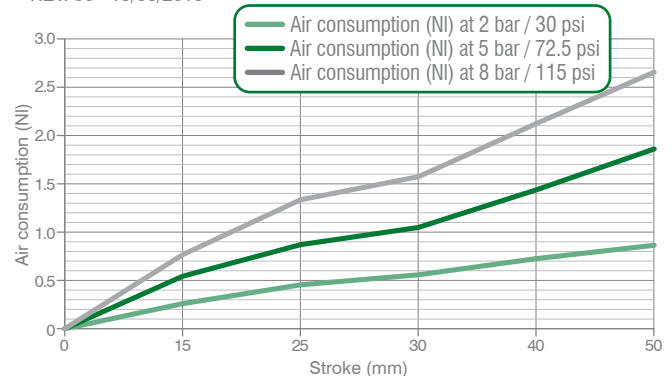
• Cycle time for max stroke

< 0.8 s **NO flow valve required**

• Air consumption

Air consumption for complete cycle

REV. 00 - 18/06/2015



Please get in touch with our technical representatives for any application which exceeds the above values, to find the appropriate solution for your application.

Ordering string

RC-Series

RC **50** **C** **25** **1** **G**

RC

VERSION

RC = retractable locating pin package with CNOMO mounting pattern
RCD = retractable locating pin package with CNOMO mounting pattern and manual operation

50

SIZE

50 = Ø 50 mm
63 = Ø 63 mm

C

SENSOR

C = CNOMO sensor
N = no sensor

CNOMO

25

STROKE

25 = 25 mm
50 = 50 mm

1

ROD TERMINATION

1 = iØ 12 mm rod termination
2 = iØ 20 mm rod termination

G

PORTS

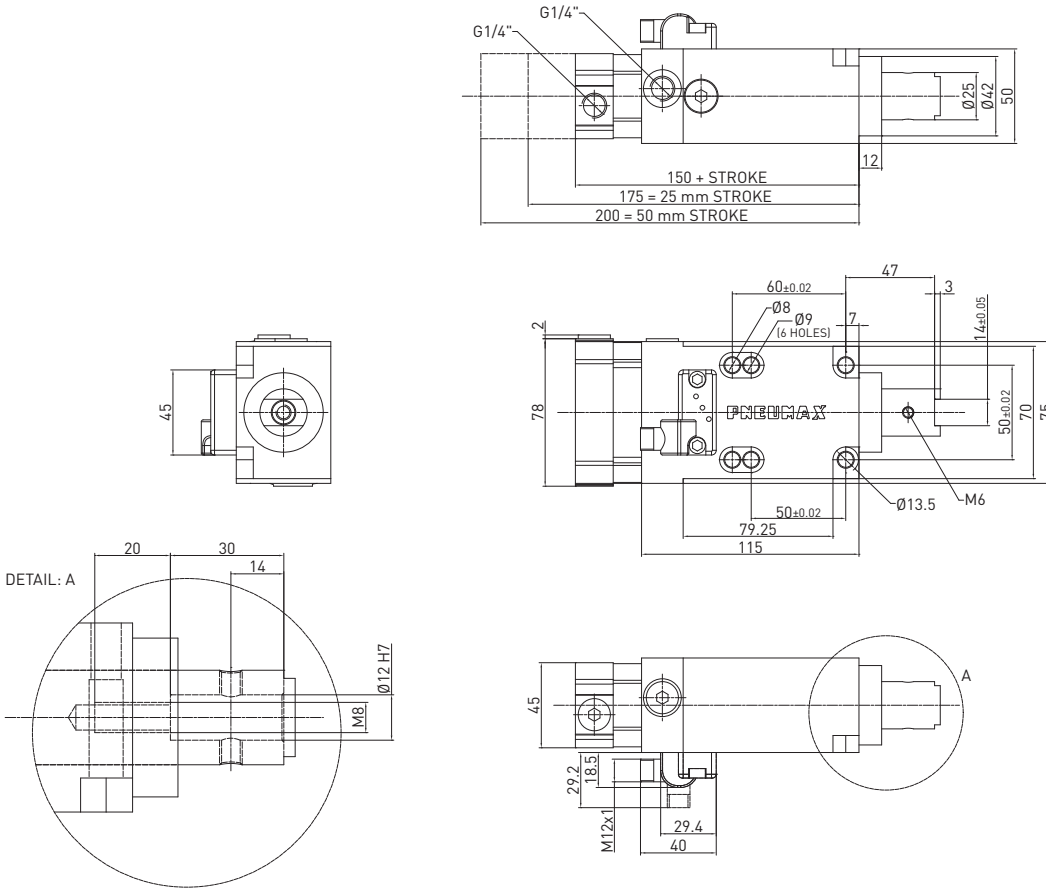
G = G thread – BSPP

RC50__1 / Retractable locating pin package with CNOMO mounting pattern - Size 50 mm - iØ 12 mm rod termination

WEIGHT 1.8 kg
min. stroke version

WEIGHT 1.9 kg
max. stroke version

LOCATING

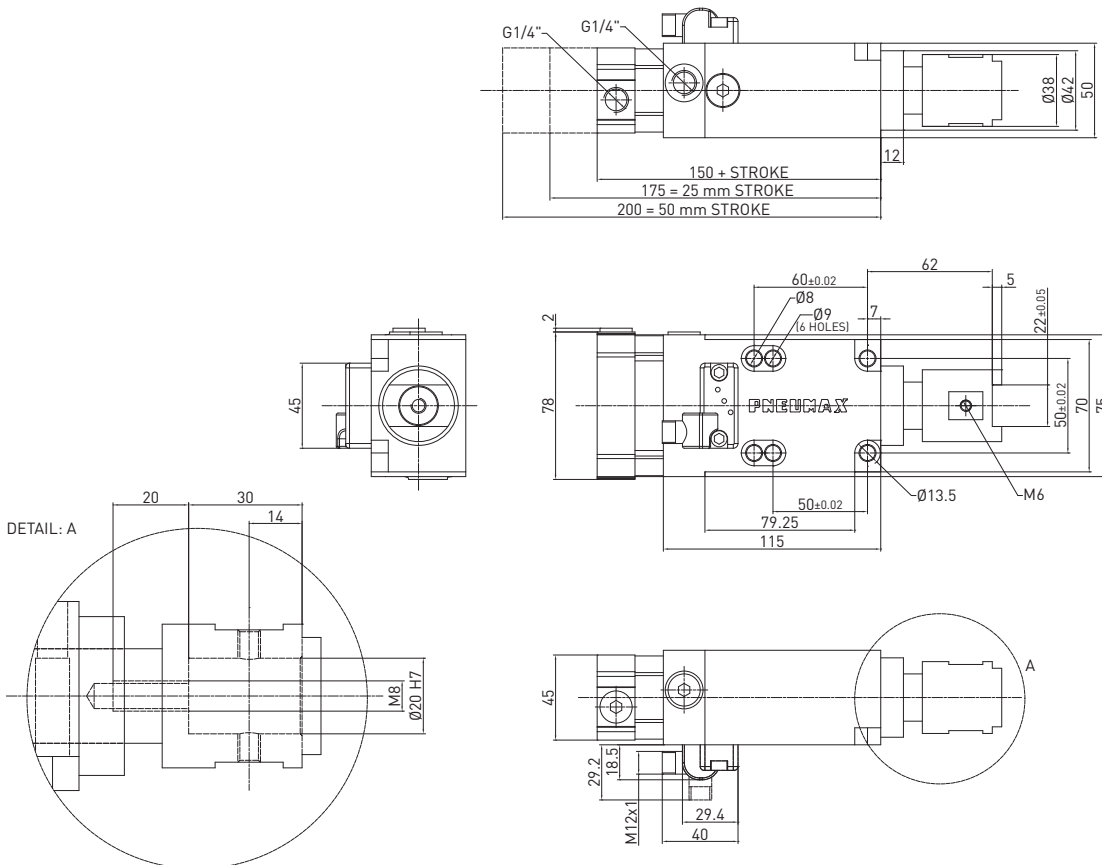


REV. 01 - 31/03/2015

RC50__2 / Retractable locating pin package with CNOMO mounting pattern - Size 50 mm - iØ 20 mm rod termination

WEIGHT 2 kg
min. stroke version

WEIGHT 2.1 kg
max. stroke version

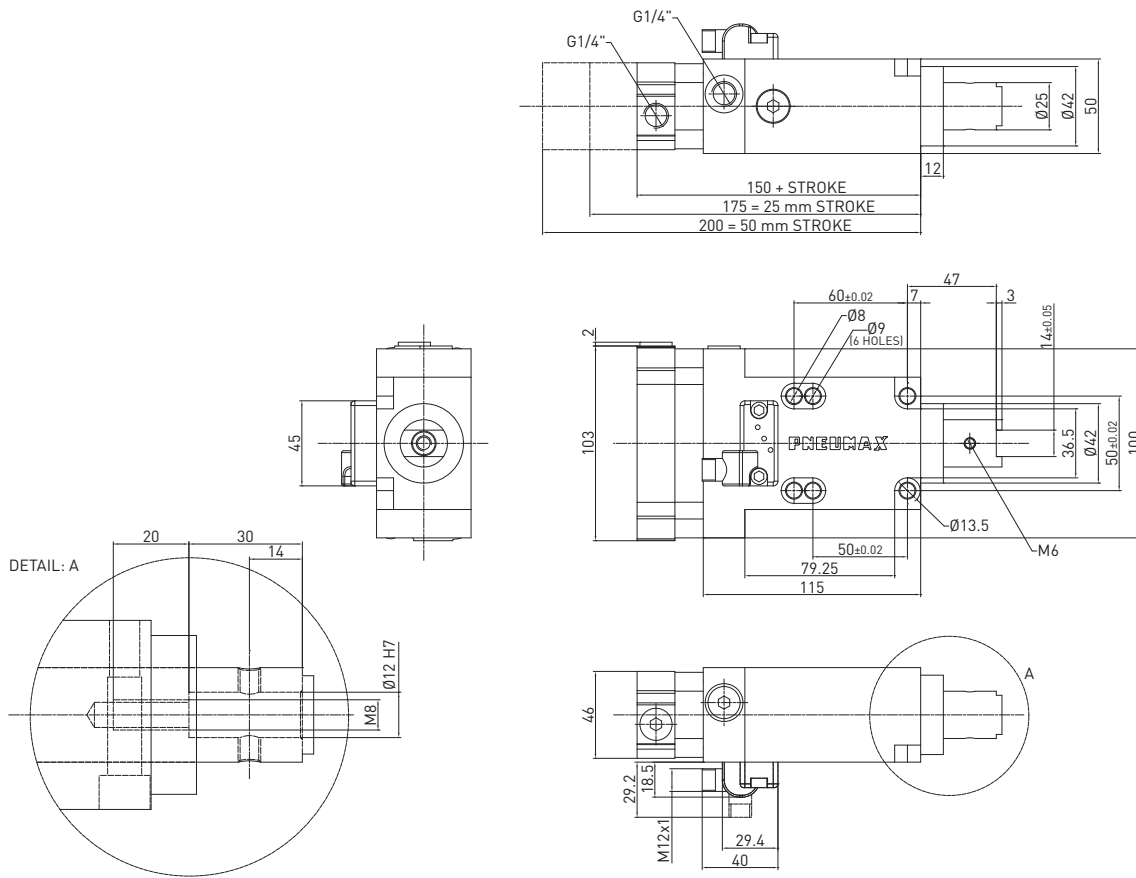


REV. 01 - 22/10/2015

RC63__1 / Retractable locating pin package with CNOMO mounting pattern - Size 63 mm - iØ 12 mm rod termination

WEIGHT 2 kg
min. stroke version

WEIGHT 2.1 kg
max. stroke version



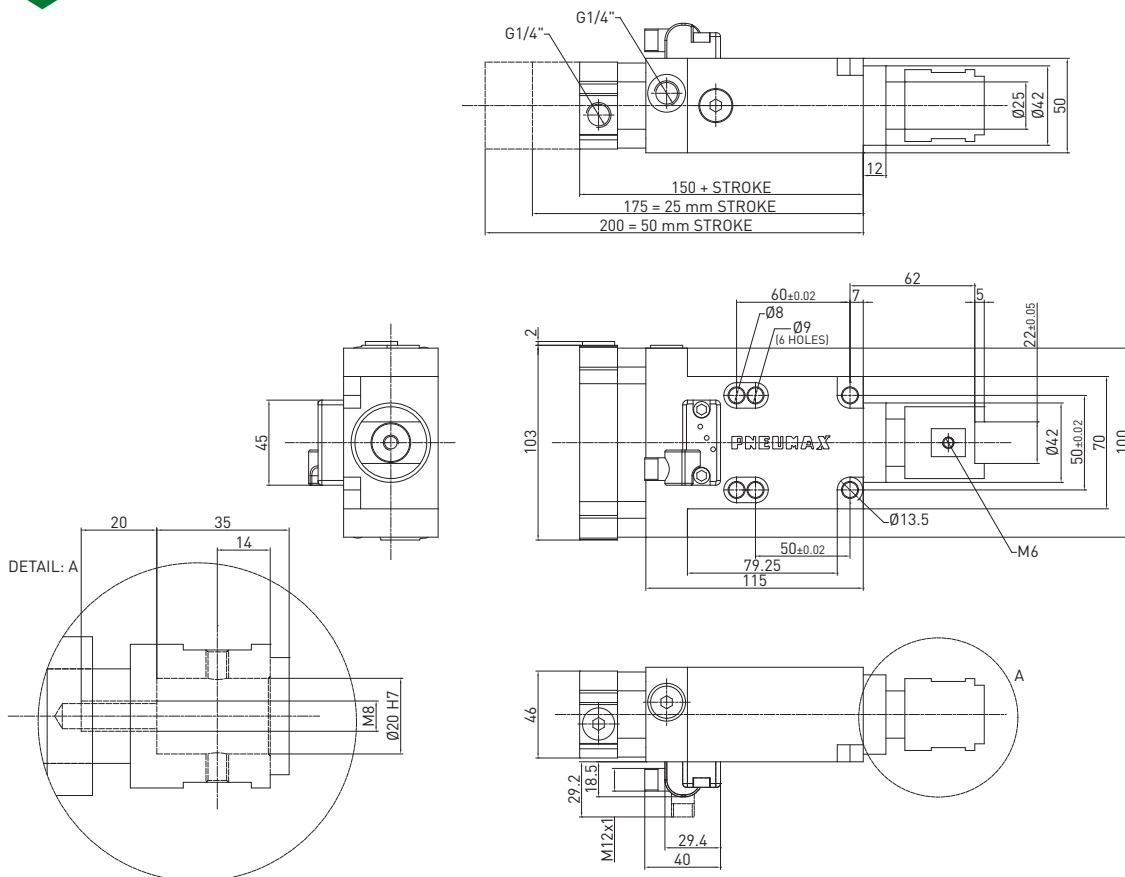
REV. 01 - 31/03/2015

LOCATING

RC63__2 / Retractable locating pin package with CNOMO mounting pattern - Size 63 mm - iØ 20 mm rod termination

WEIGHT 2.2 kg
min. stroke version

WEIGHT 2.3 kg
max. stroke version



REV. 01 - 22/10/2015

RCD50_1 / Retractable locating pin package with CNOMO mounting pattern and manual operation
Size 50 mm - iØ 12 mm rod termination

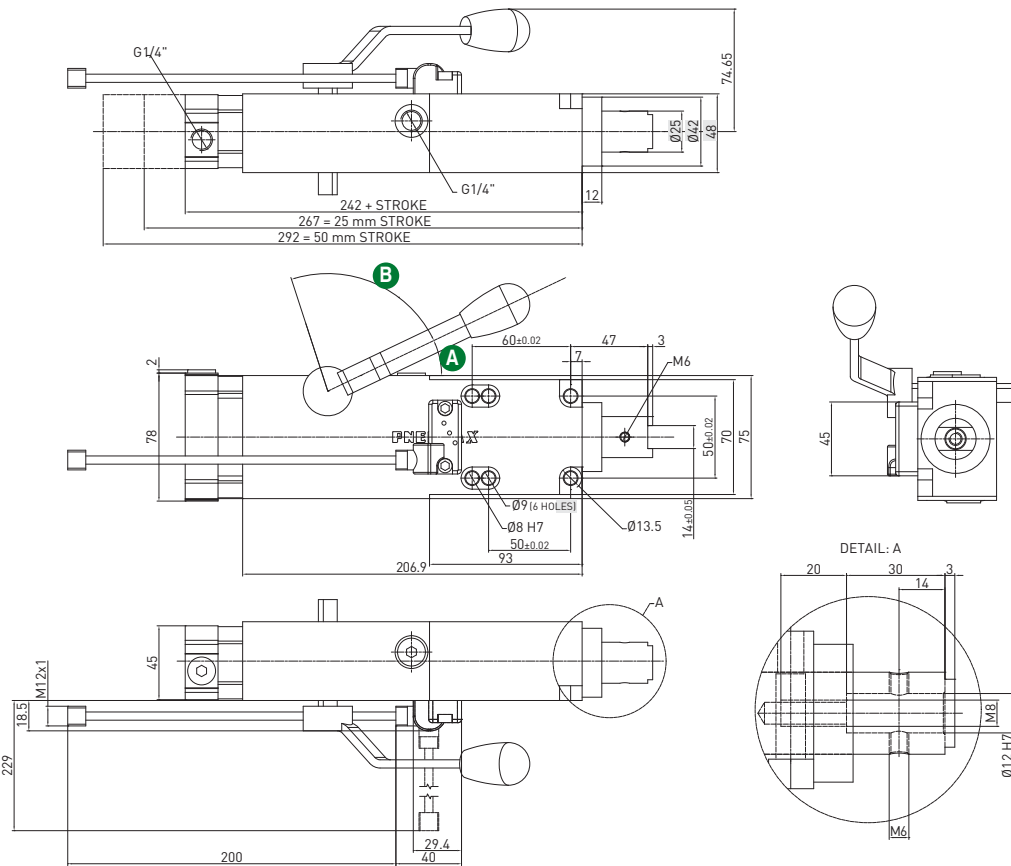
WEIGHT 1.8 kg
min. stroke version

WEIGHT 1.9 kg
max. stroke version

Handle swivel angle

Stroke	A Handle swivel angle	B Handle swivel angle
25	70°	38°
50	25°	83°

Max Hand Force: 200 N



REV. 00 - 31/07/2018

RCD50_2 / Retractable locating pin package with CNOMO mounting pattern and manual operation
Size 50 mm - iØ 20 mm rod termination

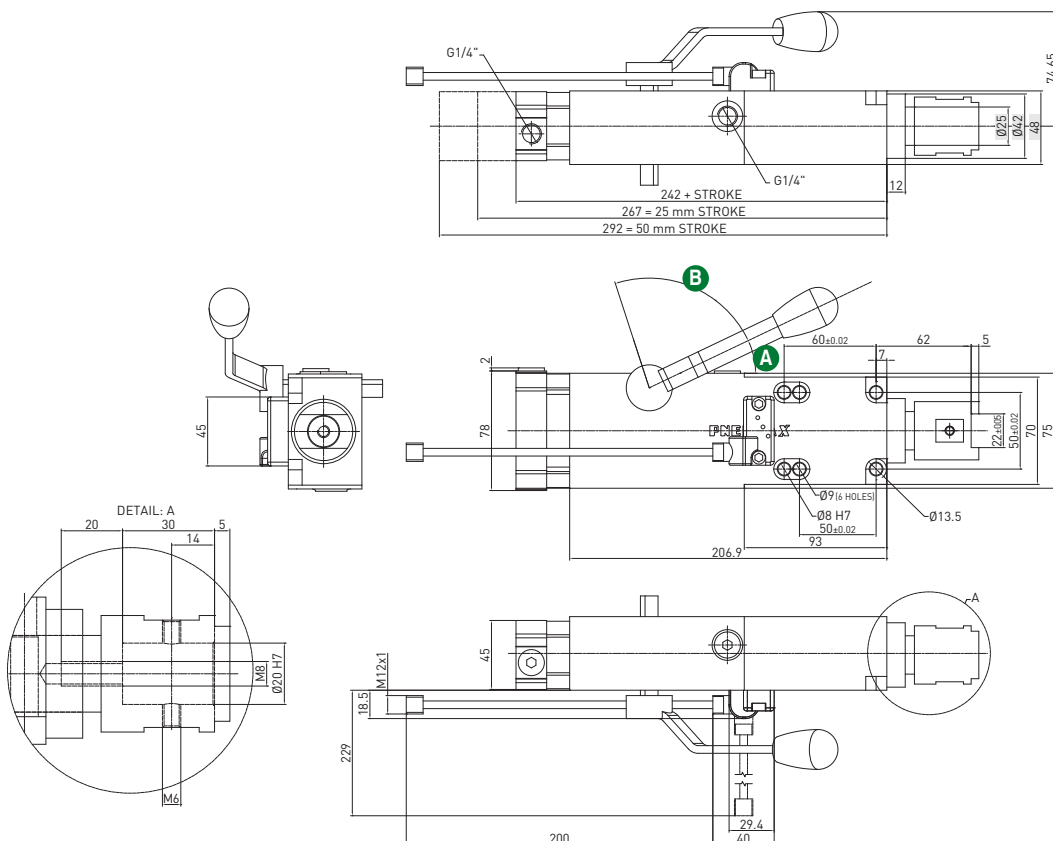
WEIGHT 2 kg
min. stroke version

WEIGHT 2.1 kg
max. stroke version

Handle swivel angle

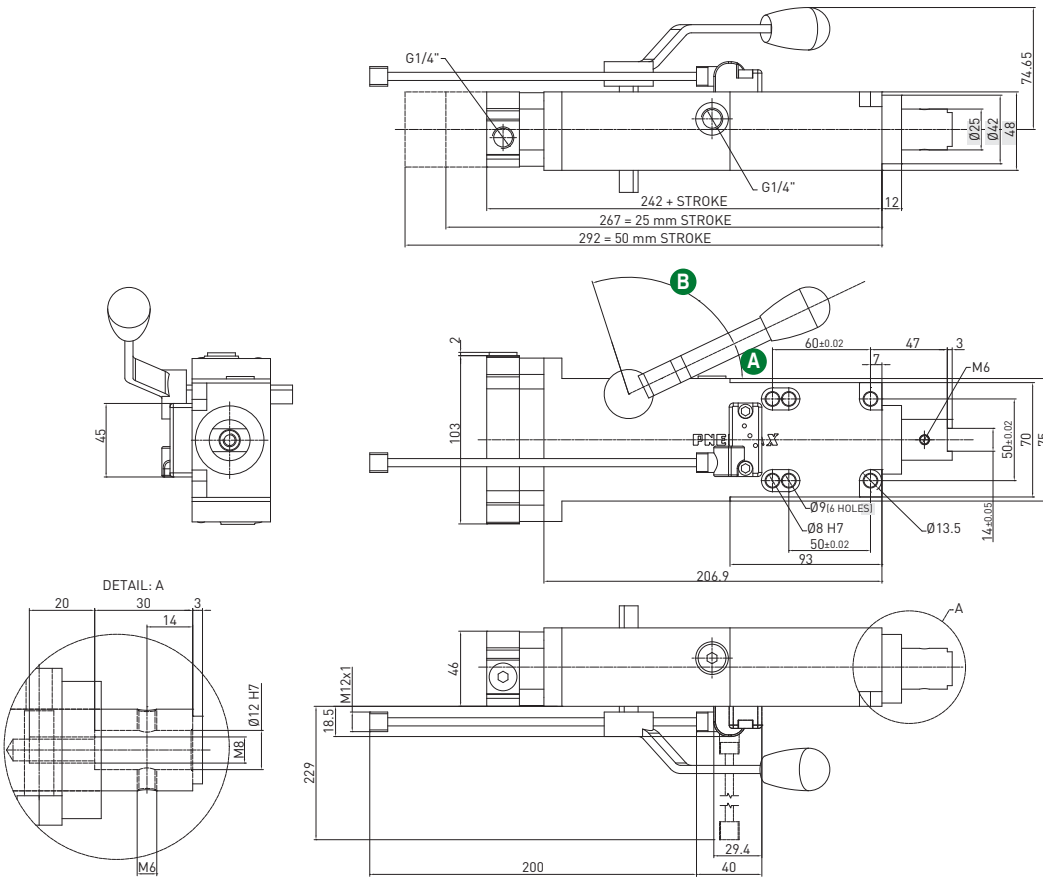
Stroke	A Handle swivel angle	B Handle swivel angle
25	70°	38°
50	25°	83°

Max Hand Force: 200 N



REV. 00 - 31/07/2018

RCD63__1 / Retractable locating pin package with CNOMO mounting pattern and manual operation
Size 63 mm - iØ 12 mm rod termination



WEIGHT 2 kg
min. stroke version

WEIGHT 2.1 kg
max. stroke version

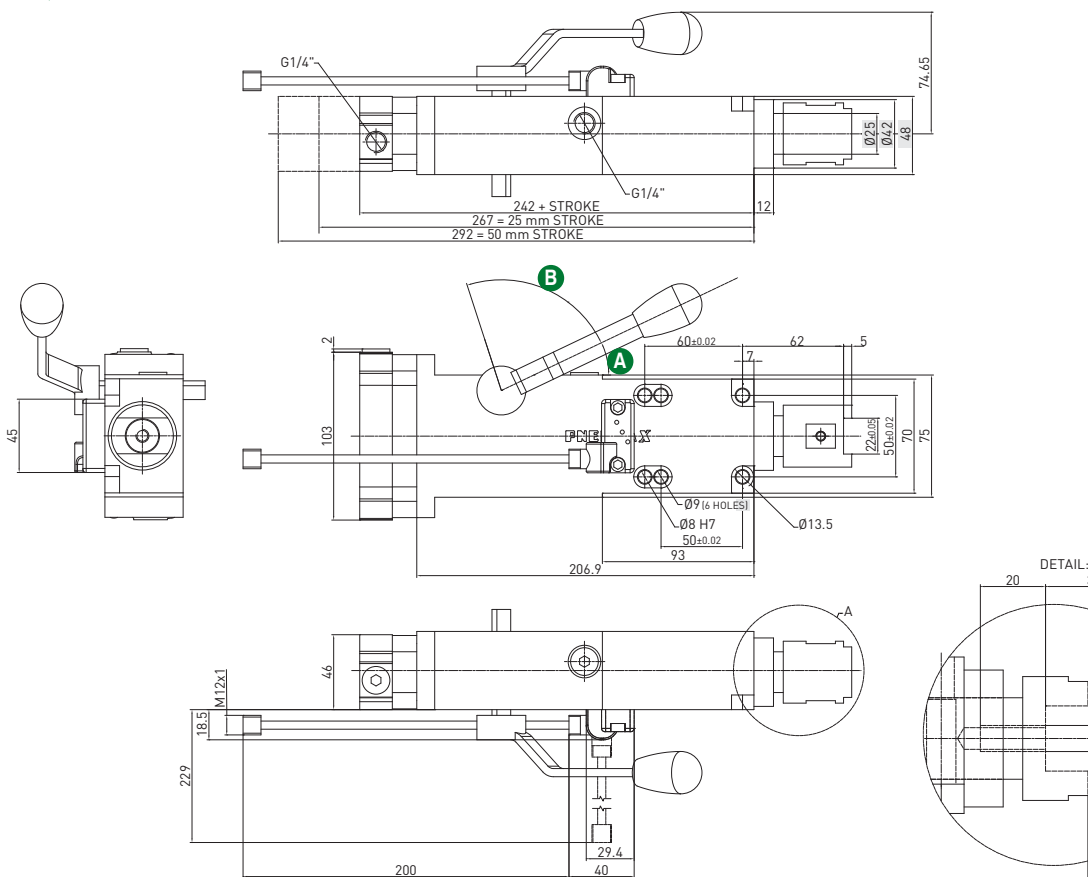
Handle swivel angle

Stroke	A Handle swivel angle	B Handle swivel angle
25	70°	38°
50	25°	83°

Max Hand Force: 200 N

REV. 00 - 31/07/2018

RCD63__2 / Retractable locating pin package with CNOMO mounting pattern and manual operation
Size 63 mm - iØ 20 mm rod termination



WEIGHT 2.2 kg
min. stroke version

WEIGHT 2.3 kg
max. stroke version

Handle swivel angle

Stroke	A Handle swivel angle	B Handle swivel angle
25	70°	38°
50	25°	83°

Max Hand Force: 200 N

REV. 00 - 31/07/2018

HP-Series



High Performance retractable locating pin package

Technical features

Pneumatic ports on both sides of the cylinder.

Operating features

Operating pressure	from 2 to 8 bar / from 30 to 115 psi
Lubrication	all the devices are lubricated for life at the factory. Inline air lubrication isn't required

Functional charts

Size 50 mm

• Max deflection

Stroke	Load (kg)	Load position A deviation (mm)	Load position B deviation (mm)	Load position C deviation (mm)
60 mm	0.5	0.007	0.012	0.01
	1	0.013	0.025	0.023
	1.5	0.02	0.04	0.036
	2	0.03	0.053	0.049
	2.5	0.038	0.067	0.064
	3	0.045	0.082	0.075
50 mm	0.5	0.006	0.009	0.007
	1	0.013	0.02	0.018
	1.5	0.021	0.032	0.028
	2	0.026	0.047	0.043
	2.5	0.032	0.66	0.057
	3	0.037	0.075	0.068
40 mm	0.5	0.004	0.009	0.004
	1	0.009	0.02	0.009
	1.5	0.013	0.032	0.013
	2	0.018	0.047	0.018
	2.5	0.022	0.66	0.022
	3	0.026	0.075	0.026
25 mm	0.5	0	0.005	0
	1	0.005	0.015	0.005
	1.5	0.007	0.032	0.007
	2	0.011	0.047	0.011
	2.5	0.012	0.66	0.012
	3	0.014	0.075	0.014
15 mm	0.5	0	0.005	0
	1	0.002	0.018	0
	1.5	0.004	0.025	0.002
	2	0.007	0.033	0.006
	2.5	0.012	0.043	0.009
	3	0.014	0.052	0.013

• Functional data (at 5 bar / 72.5 psi)

Thrust force	825 N
Pull force	1.960 N
Max bending moment	3 N m / 2.21 lb-ft
Max distance from the load centre to the rod	200 mm

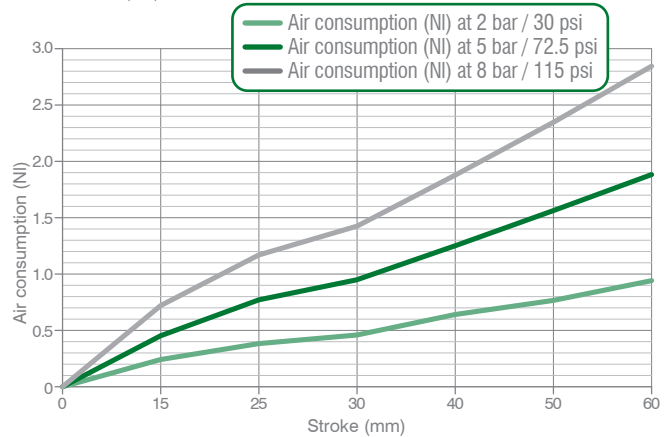
• Cycle time for max stroke

< 0.8 s NO flow valve required

• Air consumption

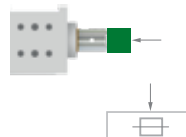
Air consumption for complete cycle

REV. 00 - 18/06/2015



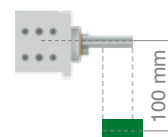
Load position **A**

Horizontal mounting position of the retractable locating pin/load centre on the rod



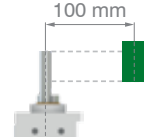
Load position **B**

Horizontal mounting position of the retractable locating pin/load centre at 100 mm from the rod axis



Load position **C**

Vertical mounting position of the retractable locating pin/load centre at 100 mm from the rod axis



Ordering string

HP-Series

HP 50 E 40 G 3 3

HP VERSION **HP** = High Performance retractable locating pin package

50 SIZE **50** = Ø 50 mm

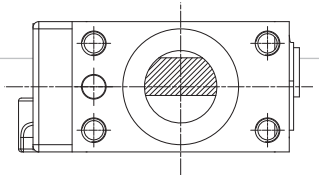
E SENSOR
E = electronic sensor with M12 swivel connector - PNP
A = electronic sensor with M12 swivel connector - NPN
N = no sensor
B = electronic sensor with M8 swivel connector - PNP

40 STROKE
15 = 15 mm
25 = 25 mm
40 = 40 mm
50 = 50 mm
60 = 60 mm

G PORTS **G** = G thread – BSPP

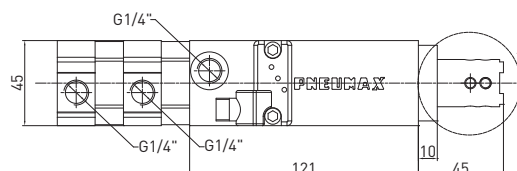
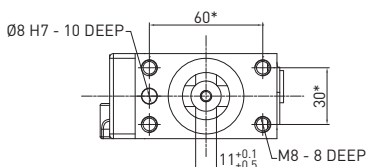
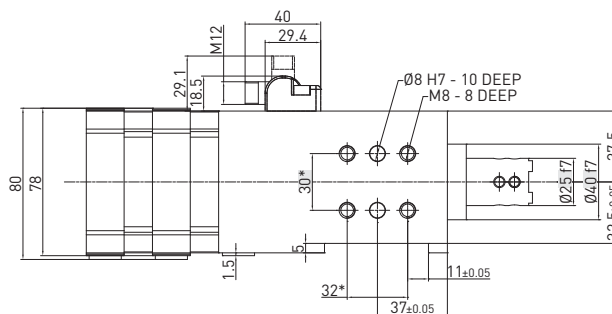
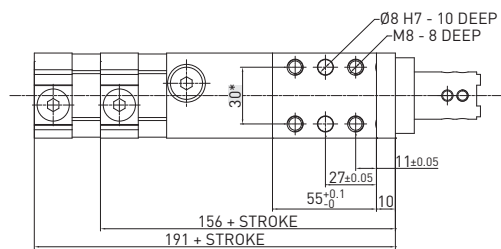
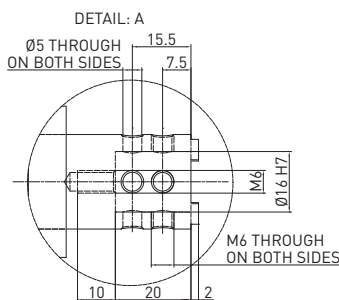
3 ROD TERMINATION
1 = iØ 16 mm cross-cut key rod termination
2 = iØ 10 mm cross-cut key rod termination
3 = rod termination for offset pins
4 = rod termination with key
5 = iØ 10 mm flat termination
6 = iØ 12 mm flat termination

3 ROD ORIENTATION
 (for termination type 3)



LOCATING

HP50E_1 / High Performance retractable locating pin package - Size 50 mm - iØ 16 mm cross-cut key rod termination



WEIGHT 2.2 kg
min. stroke version

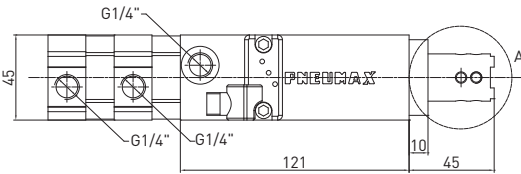
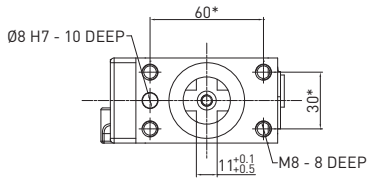
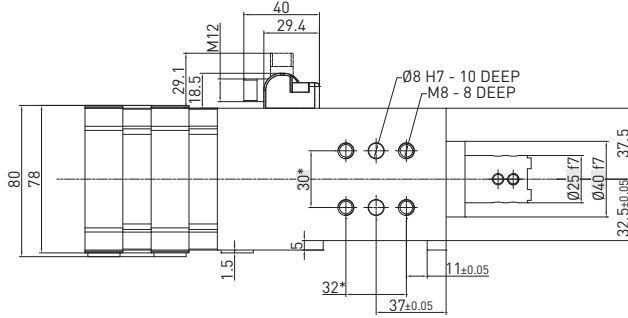
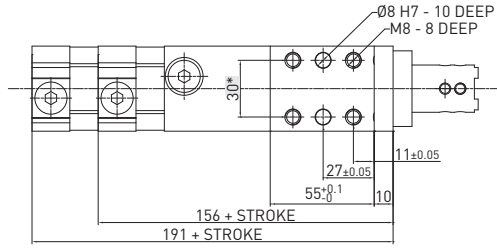
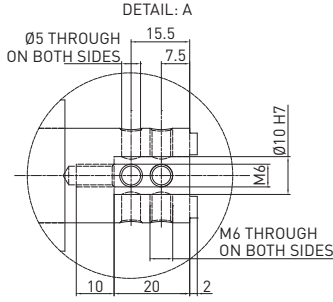
WEIGHT 2.5 kg
max. stroke version

REV. 01 - 26/02/2016

HP50E_2 / High Performance retractable locating pin package - Size 50 mm - iØ 10 mm cross-cut key rod termination

WEIGHT 2.2 kg
min. stroke version

WEIGHT 2.5 kg
max. stroke version



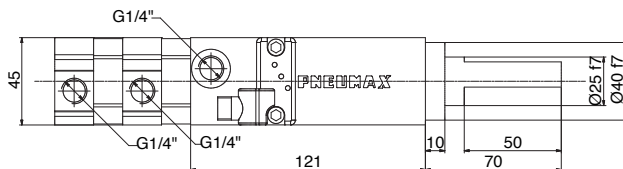
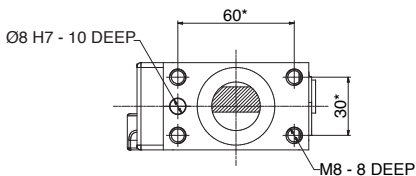
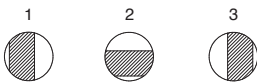
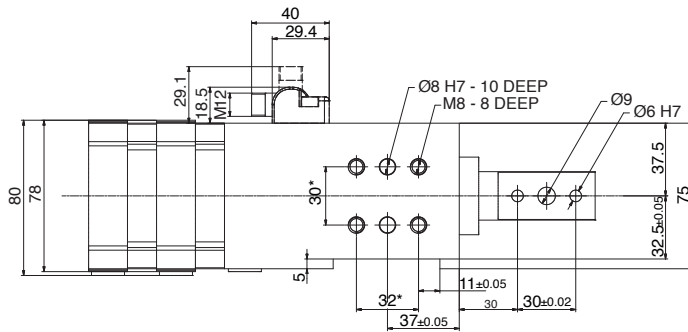
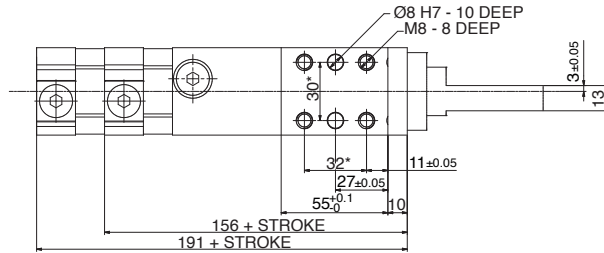
REV. 01 - 26/02/2016

LOCATING

HP50E_3 / High Performance retractable locating pin package - Size 50 mm - Rod termination for offset pins

WEIGHT 2.2 kg
min. stroke version

WEIGHT 2.5 kg
max. stroke version



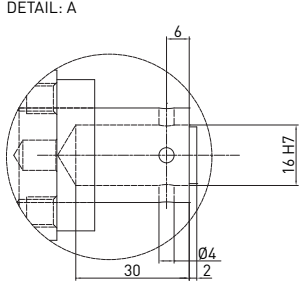
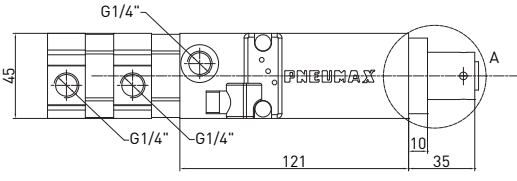
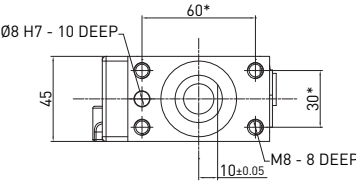
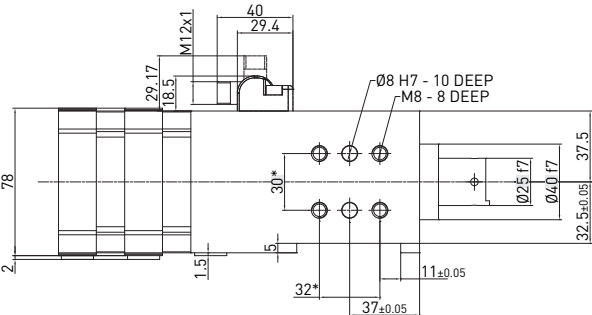
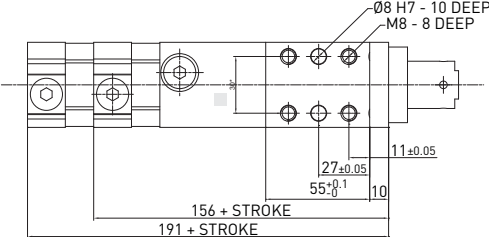
REV. 01 - 29/05/2024



HP50E_4 / High Performance retractable locating pin package - Size 50 mm - Rod termination with key

WEIGHT 2.2 kg
min. stroke version

WEIGHT 2.5 kg
max. stroke version



REV. 00 - 31/03/2015

LOCATING

F-Series

Retractable locating pin packages with dual rods



Technical features

Pneumatic ports on both sides of the cylinder.

Operating features

Operating pressure from 2 to 8 bar / from 30 to 115 psi

Lubrication all the devices are lubricated for life at the factory. Inline air lubrication isn't required

Functional charts

Size 40-41 mm

• Max deflection

Stroke	Load (kg)	Load position A deviation (mm)	Load position B deviation (mm)	Load position C deviation (mm)
40 mm	0.5	0.004	0.021	0.003
	1	0.01	0.05	0.01
	1.5	0.015	0.08	0.019
	2	0.022	0.122	0.028
	2.5	0.03	0.158	0.037
	3	0.035	0.195	0.046
20 mm	0.5	0.004	0.013	0.005
	1	0.009	0.035	0.008
	1.5	0.013	0.053	0.011
	2	0.017	0.083	0.017
	2.5	0.021	0.107	0.021
	3	0.026	0.13	0.025

• Functional data (at 5 bar / 72.5 psi)

Thrust force	430 N
Pull force	630 N
Max bending moment	3 N m / 2.21 lb-ft
Max distance from the load centre to the rod	200 mm

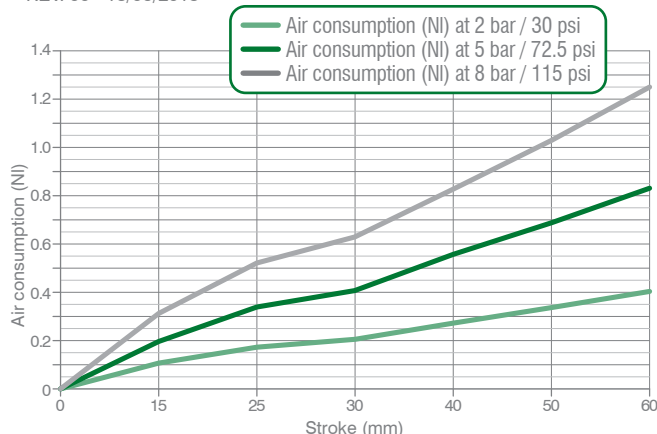
• Cycle time for max stroke

< 0.8 s NO flow valve required

• Air consumption

Air consumption for complete cycle

REV. 00 - 18/06/2015



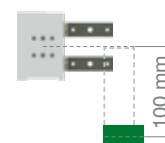
Load position **A**

Horizontal mounting position of the retractable locating pin/load centre on the rod



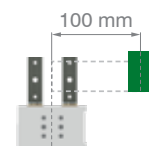
Load position **B**

Horizontal mounting position of the retractable locating pin/load centre at 100 mm from the rod axis



Load position **C**

Vertical mounting position of the retractable locating pin/load centre at 100 mm from the rod axis



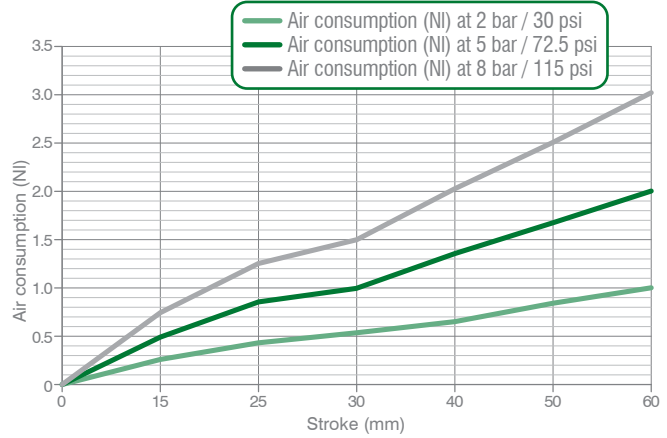
Size 63 mm

• Max deflection

Stroke	Load (kg)	Load position A deviation (mm)	Load position B deviation (mm)	Load position C deviation (mm)
60 mm	0.5	0.003	0.009	0
	1	0.007	0.026	0.001
	1.5	0.013	0.043	0.007
	2	0.017	0.063	0.009
	2.5	0.022	0.085	0.018
	3	0.026	0.109	0.023
	3.5	0.031	0.129	0.033
	4	0.036	0.148	0.042

• Air consumption

Air consumption for complete cycle
REV. 00 - 18/06/2015



• Functional data (at 5 bar / 72.5 psi)

Thrust force	1,350 N
Pull force	1,550 N
Max bending moment	4 N m / 2.95 lb-ft
Max distance from the load centre to the rod	200 mm

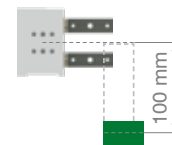
Load position **A**

Horizontal mounting position of the retractable locating pin/load centre on the rod



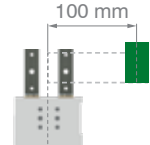
Load position **B**

Horizontal mounting position of the retractable locating pin/load centre at 100 mm from the rod axis



Load position **C**

Vertical mounting position of the retractable locating pin/load centre at 100 mm from the rod axis



• Cycle time for max stroke

< 0.8 s NO flow valve required

Ordering string

F-Series 40-41

F **P** **40** **E** **20** **3** **G**

F	VERSION	F = Retractable locating pin package with dual rod
P	OPERATION	P = pneumatic
40	SIZE	40 = Ø 40 mm mounting pattern 35x25 mm 41 = Ø 40 mm mounting pattern 30x25 mm
E	SENSOR	E = electronic sensor with M12 swivel connector - PNP A = electronic sensor with M12 swivel connector - NPN N = no sensor B = electronic sensor with M8 swivel connector - PNP
20	STROKE	20 = 20 mm 40 = 40 mm
3	ROD TERMINATION	1 = rod termination type 3 with improved radius 2 = rod termination type 7 with improved radius 3 = rod termination for offset pins – with 4 dowel holes (see datasheet) 7 = rod termination for offset pins – with 2 dowel holes (see datasheet)
G	PORTS	G = G thread – BSPP



Ordering string

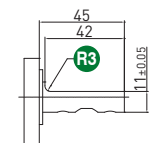
F-Series 63

F P 63 E 60 3 G

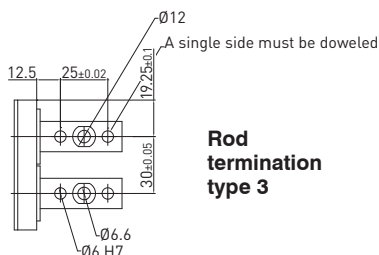
LOCATING

F	VERSION	F = Retractable locating pin package with dual rod
P	OPERATION	P = pneumatic D2 = pneumatic with manual operation
63	SIZE	63 = Ø 63 mm
E	SENSOR	E = electronic sensor with M12 swivel connector - PNP A = electronic sensor with M12 swivel connector - NPN N = no sensor B = electronic sensor with M8 swivel connector - PNP
60	STROKE	15 = 15 mm 25 = 25 mm 40 = 40 mm 50 = 50 mm 60 = 60 mm
3	ROD TERMINATION	1 = rod termination type 3 with improved radius 3 = rod termination for offset pins
G	PORTS	G = G thread – BSPP

FP40E__1/2/3/7 / Retractable locating pin package with dual rod - Size 40 mm
Mounting pattern 35x25 mm - Rod termination for offset pins



Rod termination type 1

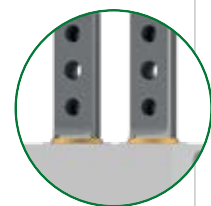


Rod termination type 3

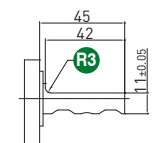
WEIGHT 1.1 kg
min. stroke version

WEIGHT 1.25 kg
max. stroke version

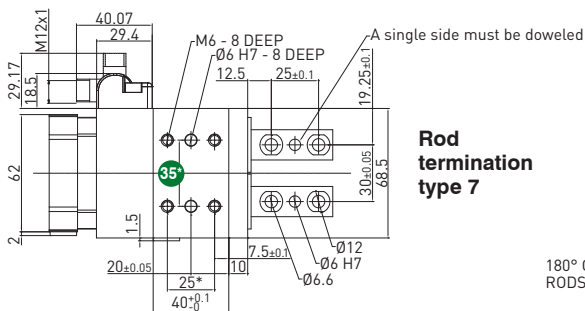
With improved radius for demanding applications



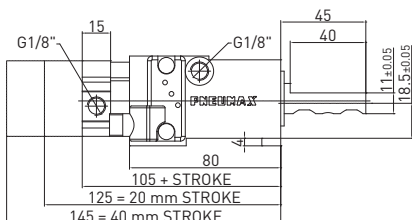
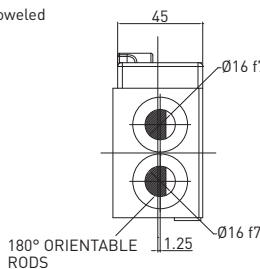
LOCATING



Rod termination type 2



Rod termination type 7

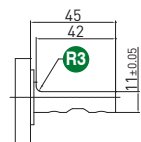


* DIMENSIONAL TOLERANCE FOR DOWEL HOLES: ±0.02

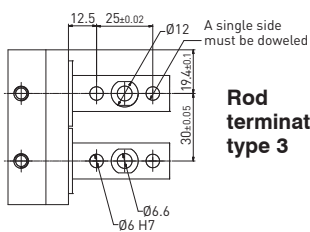
DIMENSIONAL TOLERANCE FOR THREADED HOLES: ±0.1

REV. 02 - 28/06/2018

FP41E__1/2/3/7 / Retractable locating pin package with dual rod - Size 41 mm
Mounting pattern 30x32 mm - Rod termination for offset pins



Rod termination type 1

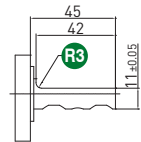
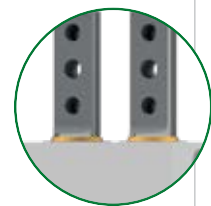


Rod termination type 3

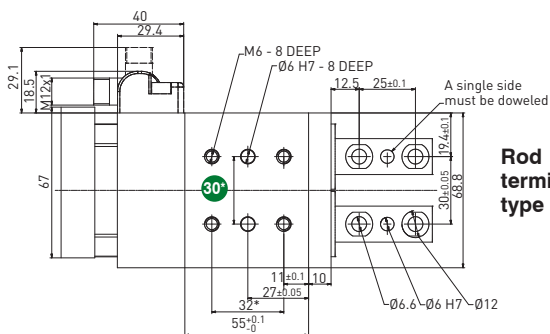
WEIGHT 1.1 kg
min. stroke version

WEIGHT 1.25 kg
max. stroke version

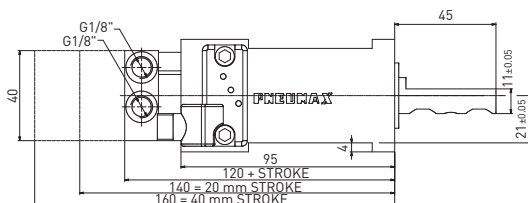
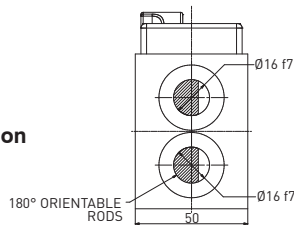
With improved radius for demanding applications



Rod termination type 2



Rod termination type 7



* DIMENSIONAL TOLERANCE FOR DOWEL HOLES: ±0.02

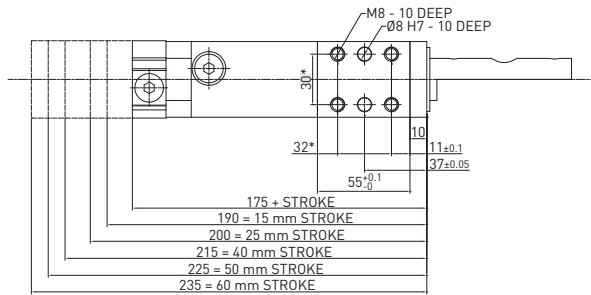
DIMENSIONAL TOLERANCE FOR THREADED HOLES: ±0.1

REV. 02 20/11/2020

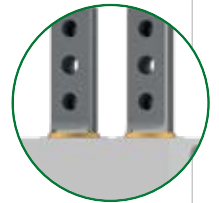
FP63E__1/3 / Retractable locating pin package with dual rod - Size 63 mm - Rod termination for offset pins

WEIGHT 3.35 kg
min. stroke version

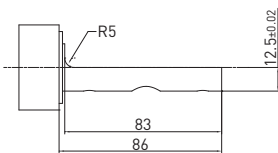
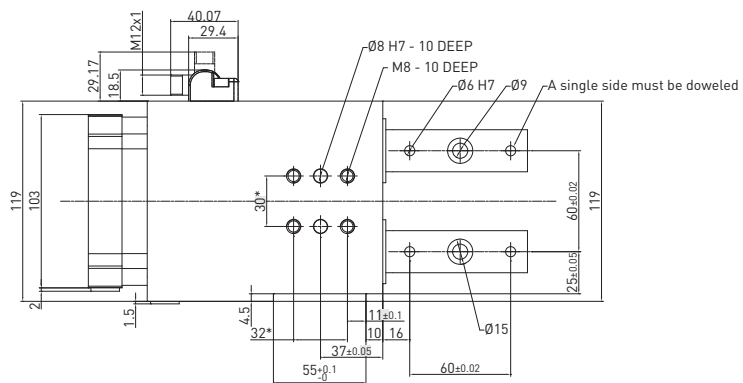
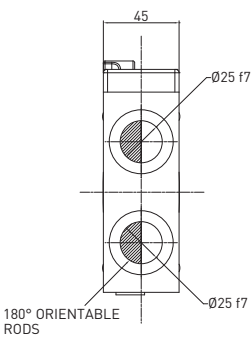
WEIGHT 3.65 kg
max. stroke version



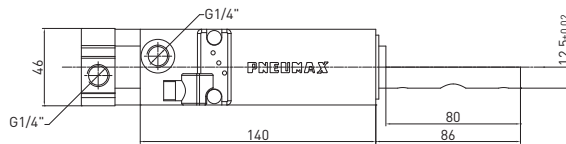
With improved
radius for
demanding
applications



LOCATING



Rod termination 1



Rod termination 3

* DIMENSIONAL
TOLERANCE FOR
DOWEL HOLES: ±0.02

DIMENSIONAL
TOLERANCE FOR
THREADED HOLES: ±0.1

REV. 01 - 10/04/2017



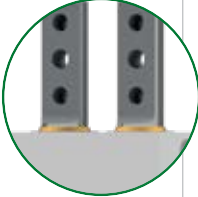
FD263E__1/3 / Retractable locating pin package with dual rod - Size 63 mm - Rod termination for offset pins

WEIGHT 4.7 kg
min. stroke version

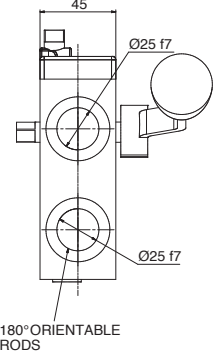
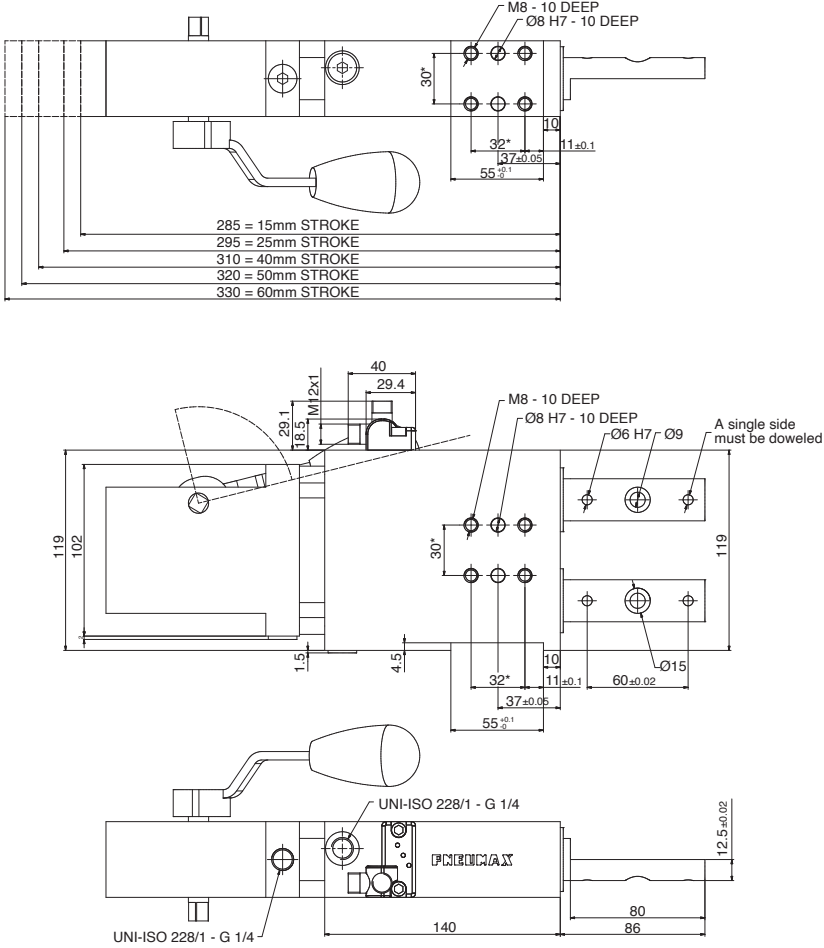
WEIGHT 5 kg
max. stroke version

Max Hand Force: 200 N

With improved
radius for
demanding
applications



LOCATING



- 285 = 15mm STROKE
- 295 = 25mm STROKE
- 310 = 40mm STROKE
- 320 = 50mm STROKE
- 330 = 60mm STROKE

* DIMENSIONAL
TOLERANCE FOR
DOWEL HOLES: ±0.02

DIMENSIONAL
TOLERANCE FOR
THREADED
HOLES: ±0.1

REV. 00 - 02/04/2020

FT-Series

Retractable locating pin packages with dual rods and toggle linkage



- Fully encapsulated toggle mechanism: in case of air loss, the working position remains secure
- Manual unlock mechanism to disengage the linkage in emergency situations
- Position repeatability ± 0.05 mm
- Clear design with user-friendly surfaces and no dirt or welding deposit traps

LOCATING

Technical features

Pneumatic ports on both sides of the cylinder.

Operating features

Operating pressure from 2 to 8 bar / from 30 to 115 psi

Lubrication all the devices are lubricated for life at the factory. Inline air lubrication isn't required

Functional charts

Size 32 mm

• Functional data (at 5 bar / 72.5 psi)

Thrust force	600 N
Max offset	100 mm from the rod axis
Max load	2 Kg
Position repeatability	$\pm 0,05$ mm

The thrust force is only available with the last 2 mm stroke of working (extracting) position. In the other range of the stroke, the force is 30% of the above value.

• Cycle time

< 0.8 s for 25 mm stroke- no flow valve required

Size 50 mm

• Max deflection

Stroke	Load (kg)	Load position B deviation (mm)	Load position C deviation (mm)
40 mm	0.5	0.001	0.002
	1	0.001	0.002
	1.5	0.001	0.002
	2	0.001	0.002
	2.5	0.001	0.004
	3	0.001	0.004
	3.5	0.002	0.004
	4	0.002	0.004

• Functional data (at 5 bar / 72.5 psi)

Thrust force	4900 N
Pull force	2000 N
Max distance from the load centre to the rod	200 mm

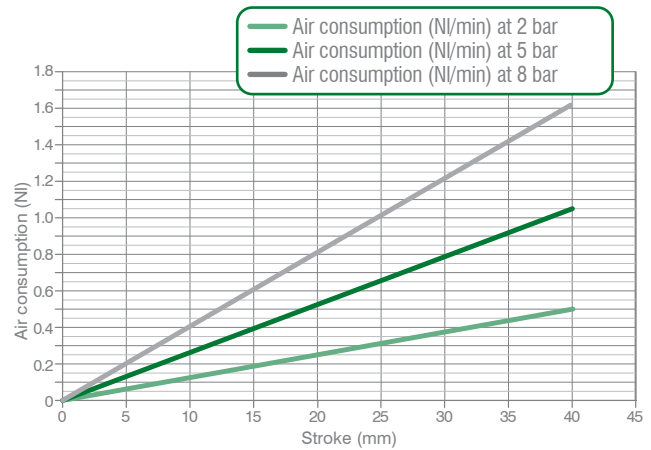
The thrust and pull forces (retraction) are only available with the last 2 mm stroke of working (extracting) position. In the other range of the stroke, the forces are 30% of the above values.

- Cycle time for max stroke
< 0.8 s NO flow valve required

• Air consumption

Air consumption for complete cycle

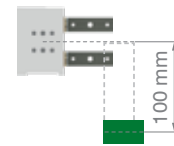
REV. 00 - 18/06/2015



LOCATING

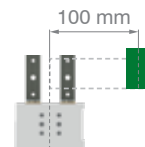
Load position **B**

Horizontal mounting position of the retractable locating pin/load centre at 100 mm from the rod axis



Load position **C**

Vertical mounting position of the retractable locating pin/load centre at 100 mm from the rod axis

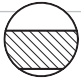
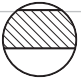


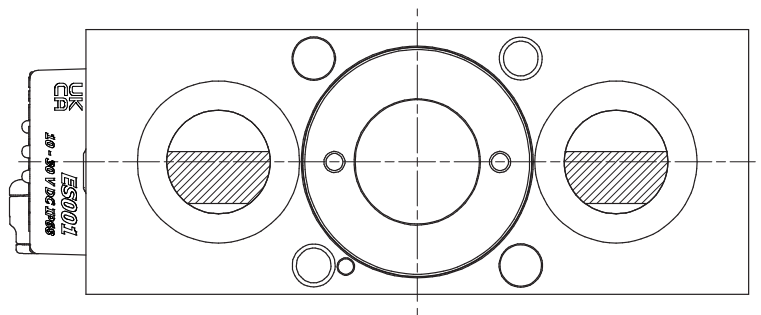
Ordering string

FT_32-Series

F T 32 E 25 G 3 2


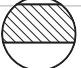
LOCATING

F	VERSION	F = Retractable locating pin packages with dual rods
T	OPERATION	T = pneumatic with toggle lock TD = pneumatic with manual operation and toggle lock
32	SIZE	32 = Ø 32 mm
E	SENSOR	E = electronic sensor with M12 swivel connector - PNP
25	STROKE	25 = 25 mm
G	PORTS	G = G thread – BSPP
3	ROD TERMINATION	3 = rod termination for offset pins – 2 dowels holes (see datasheet) 7 = rod termination for offset pins – 4 dowel holes (see datasheet)
2	ROD ORIENTATION	2 =  4 = 

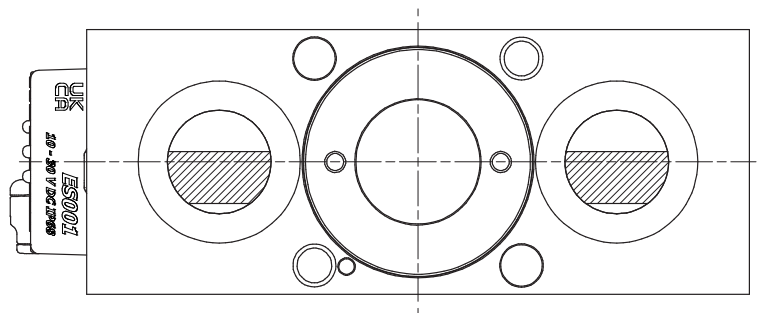


FT_50-Series

F **T** **50** **E** **40** **G** **5** **2**

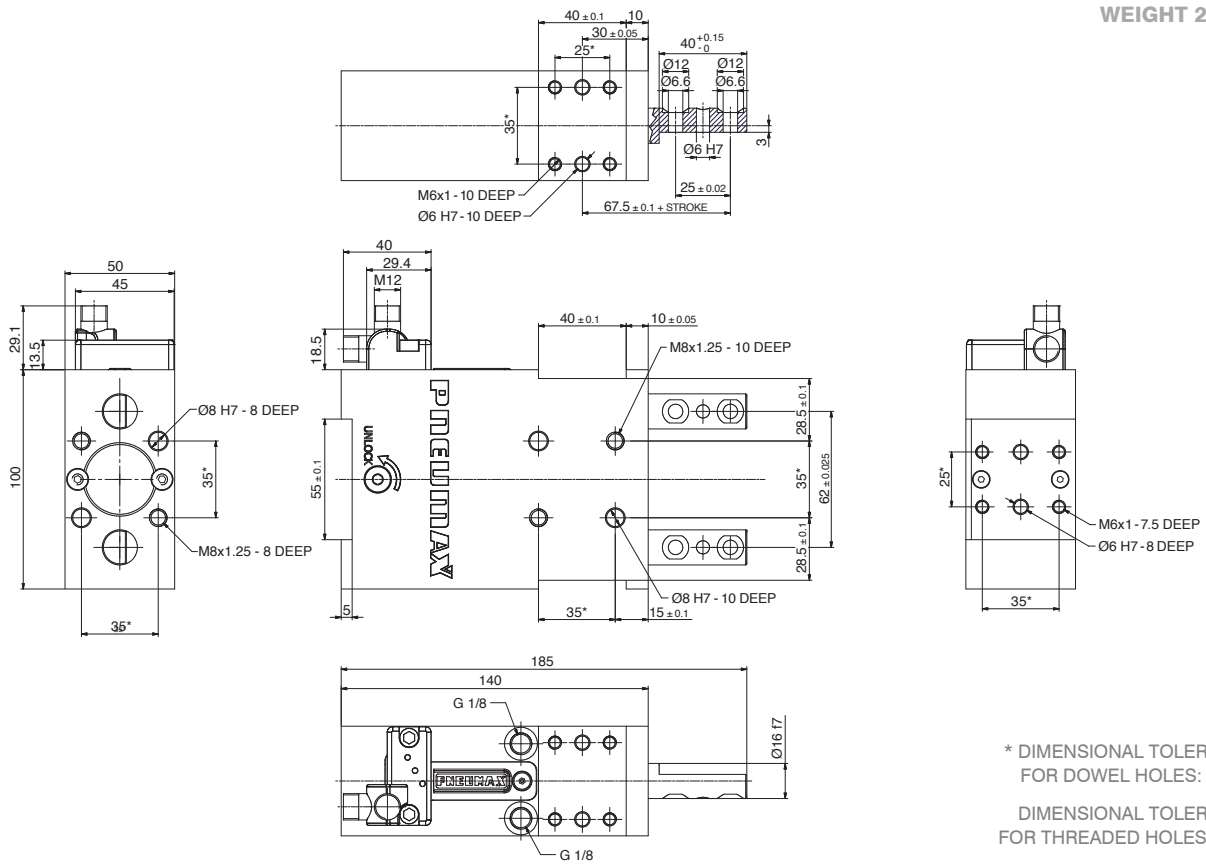
F	VERSION	F = Retractable locating pin packages with dual rods
T	OPERATION	T = pneumatic with toggle lock TD = pneumatic with manual operation and toggle lock
50	SIZE	50 = Ø 50 mm
E	SENSOR	E = electronic sensor with M12 swivel connector - PNP
40	STROKE	40 = 40 mm
G	PORTS	G = G thread – BSPP
3	ROD TERMINATION	3 = Mounting surface on the rods corresponds to the pin package axis 5 = 2.5 mm out of the axis mounting surface
2	ROD ORIENTATION	2 =  4 = 

LOCATING



FT32E25G3_ / Retractable locating pin package with dual rods and toggle linkage - Size 32 mm
Rod termination 3 – for offset pins

WEIGHT 2,2 kg



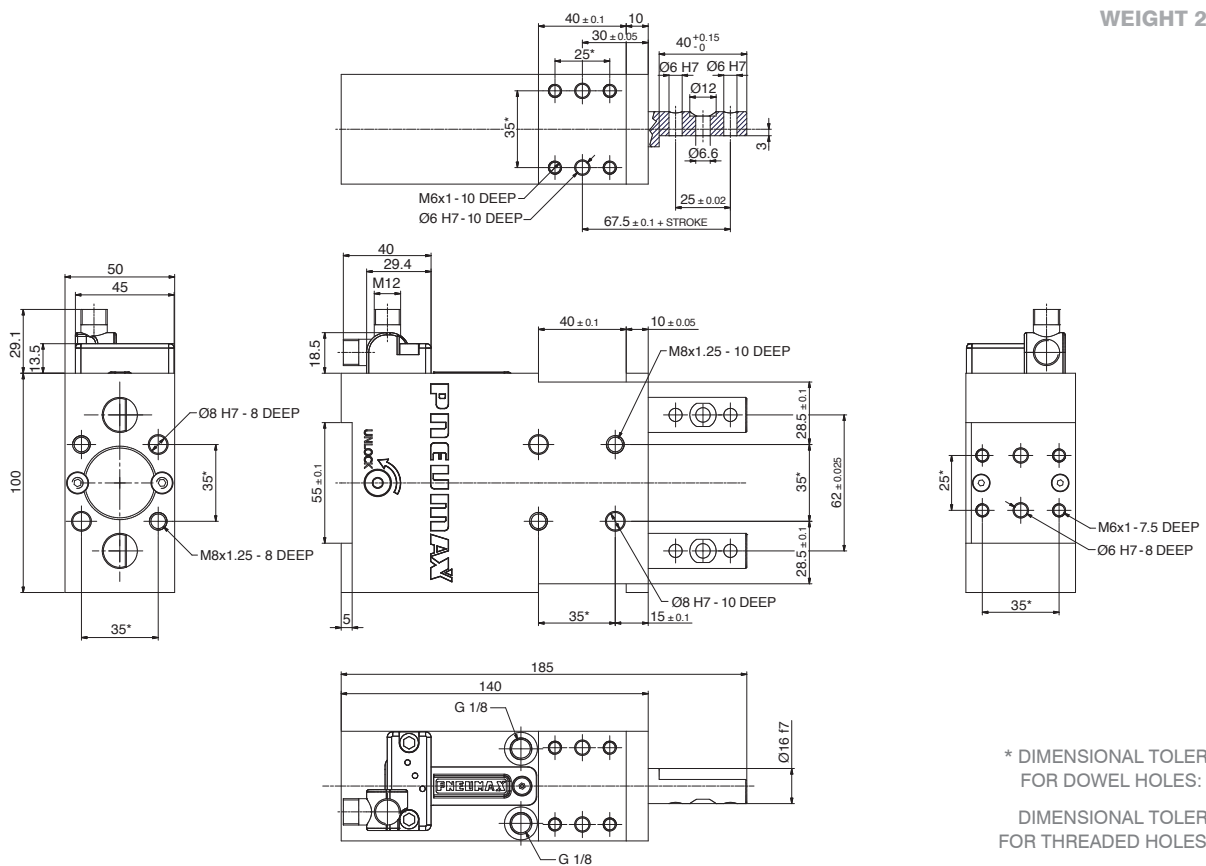
* DIMENSIONAL TOLERANCE
FOR DOWEL HOLES: ±0.02

DIMENSIONAL TOLERANCE
FOR THREADED HOLES: ±0.1

REV. 01 - 24/01/2024

FT32E25G7_ / Retractable locating pin package with dual rods and toggle linkage - Size 32 mm
Rod termination 7 – for offset pins with 2 dowel holes

WEIGHT 2,2 kg

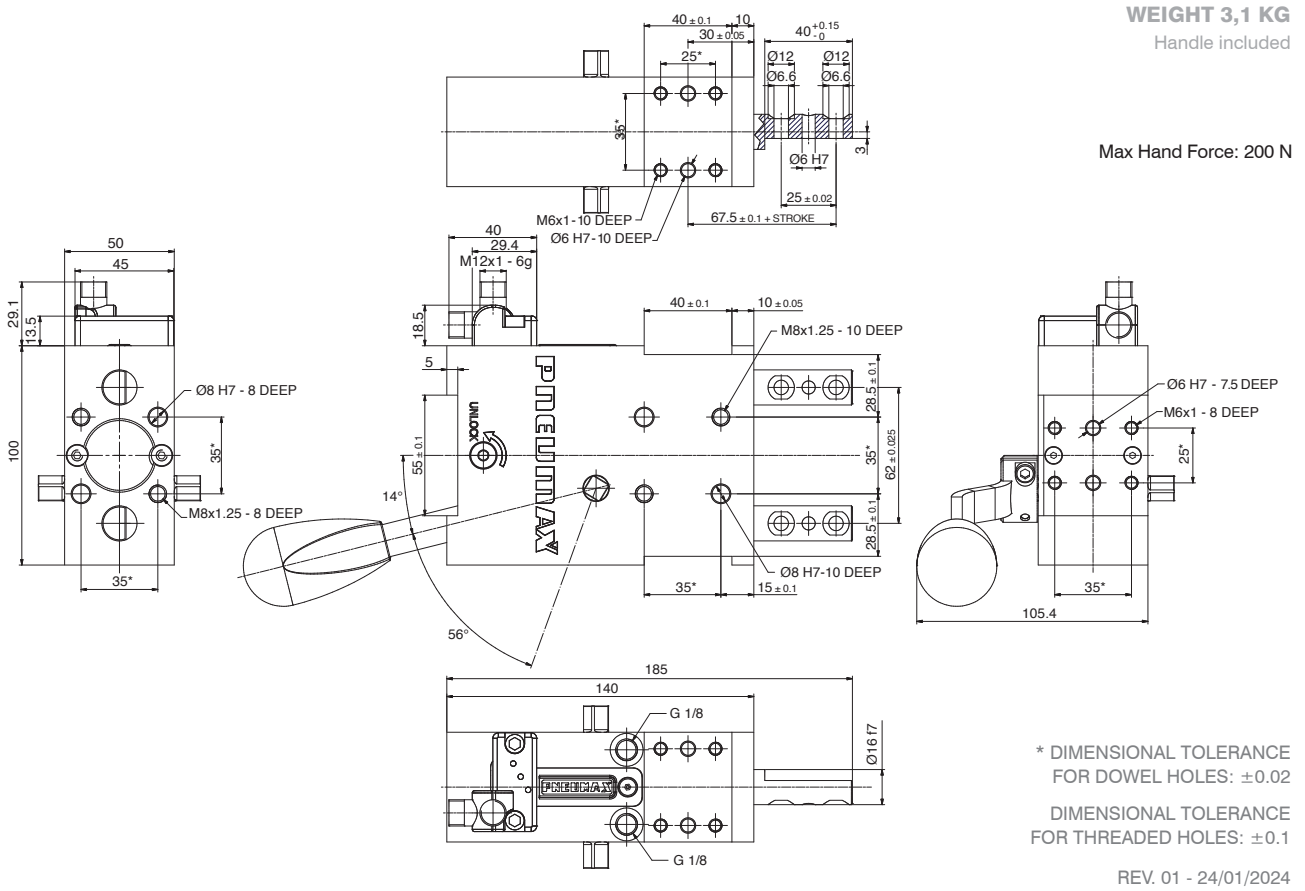


* DIMENSIONAL TOLERANCE
FOR DOWEL HOLES: ±0.02

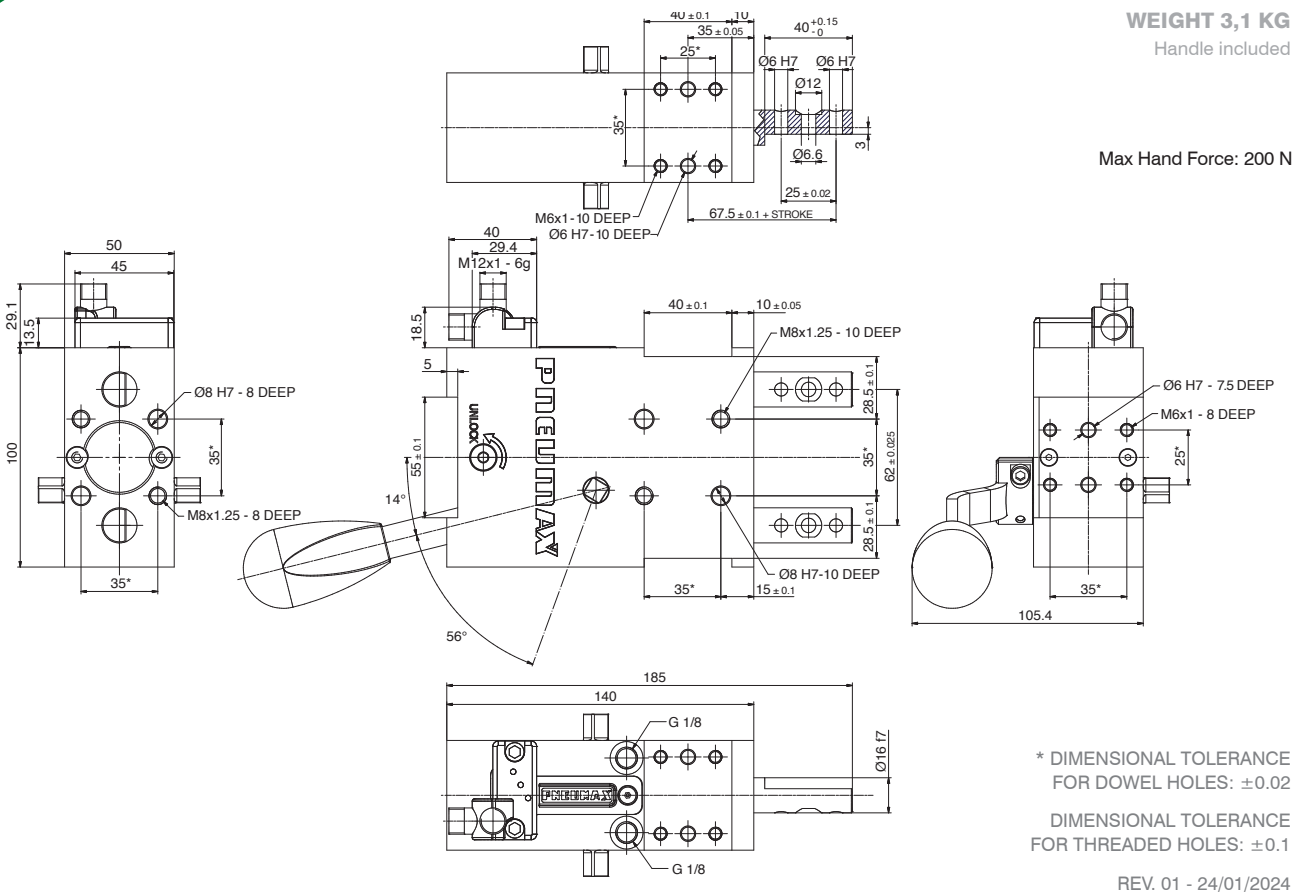
DIMENSIONAL TOLERANCE
FOR THREADED HOLES: ±0.1

REV. 01 - 24/01/2024

FTD32E25G3 / Retractable locating pin package with dual rods and toggle linkage and manual operation - Size 32 mm
Rod termination 3 – for offset pins



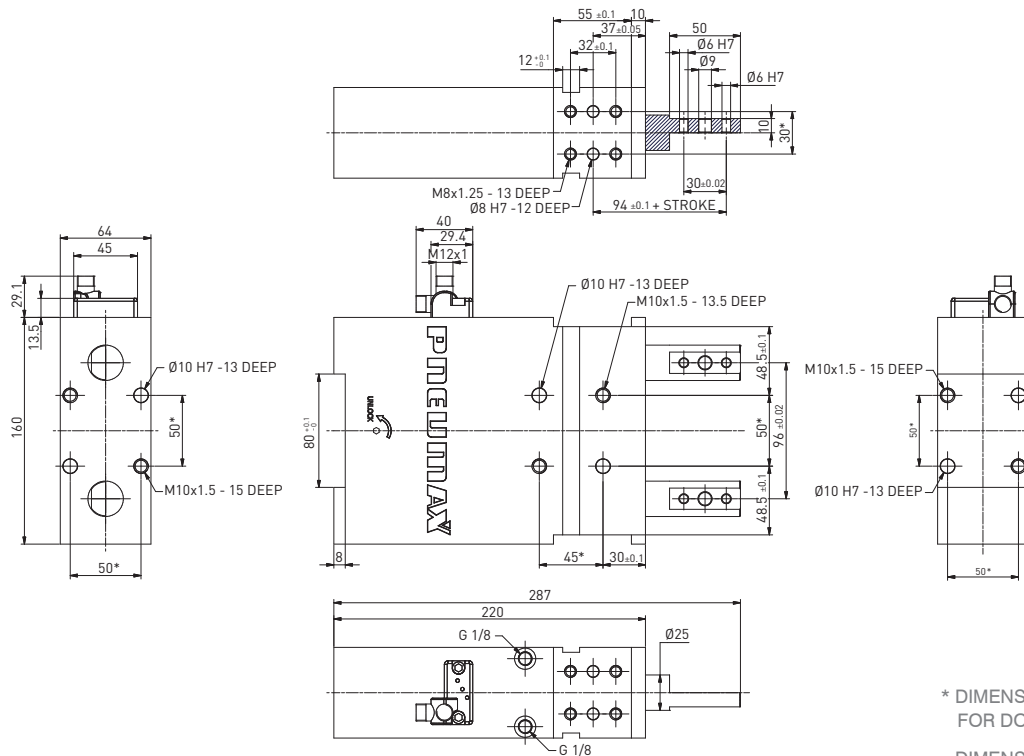
FTD32E25G7 / Retractable locating pin package with dual rods and toggle linkage and manual operation - Size 32 mm
Rod termination 7 – for offset pins with 2 dowel holes



LOCATING

FT50E40G3_ / Retractable locating pin package with dual rods and toggle linkage - Size 50 mm
Rod termination 3 – in line to the pin package axis

WEIGHT 7 kg

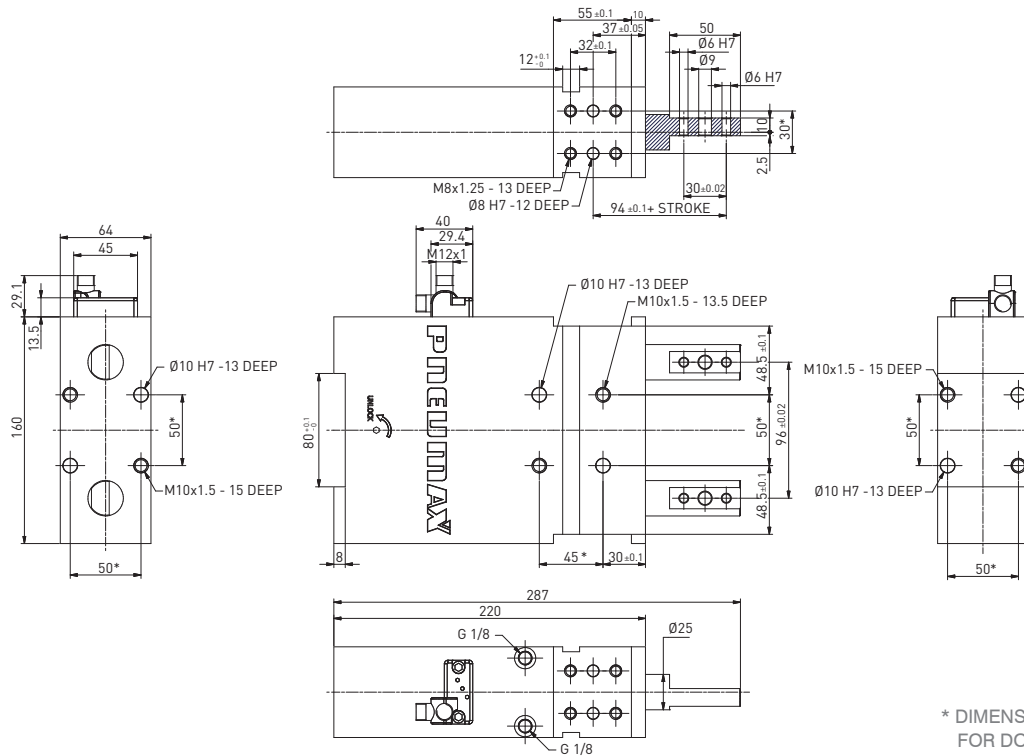


* DIMENSIONAL TOLERANCE FOR DOWEL HOLES: ±0.02
DIMENSIONAL TOLERANCE FOR THREADED HOLES: ±0.1

REV. 01 - 27/04/2021

FT50E40G5_ / Retractable locating pin package with dual rods and toggle linkage - Size 50 mm
Rod termination 5 – 2.5 mm out of axis mounting surface

WEIGHT 7 kg



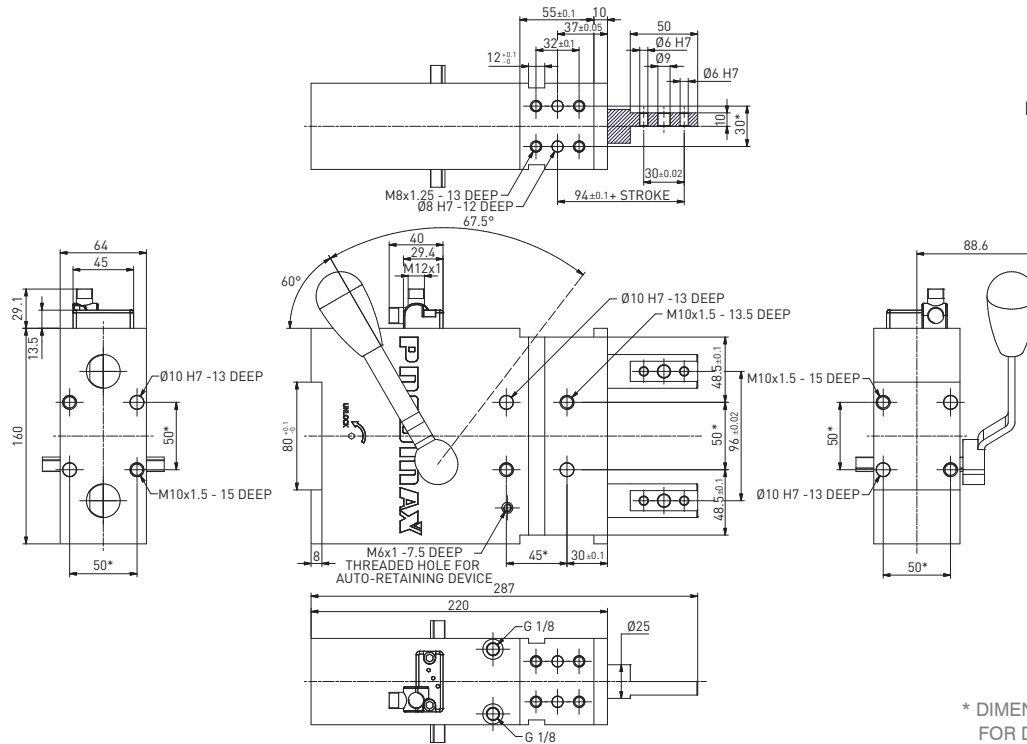
* DIMENSIONAL TOLERANCE FOR DOWEL HOLES: ±0.02
DIMENSIONAL TOLERANCE FOR THREADED HOLES: ±0.1

REV. 01 - 27/04/2021

FTD50E40G3 / Retractable locating pin package with dual rods and toggle linkage and manual operation - Size 50 mm
Rod termination 3 – in line to the pin package axis

WEIGHT 7,5 KG
Handle included

Max Hand Force: 200 N



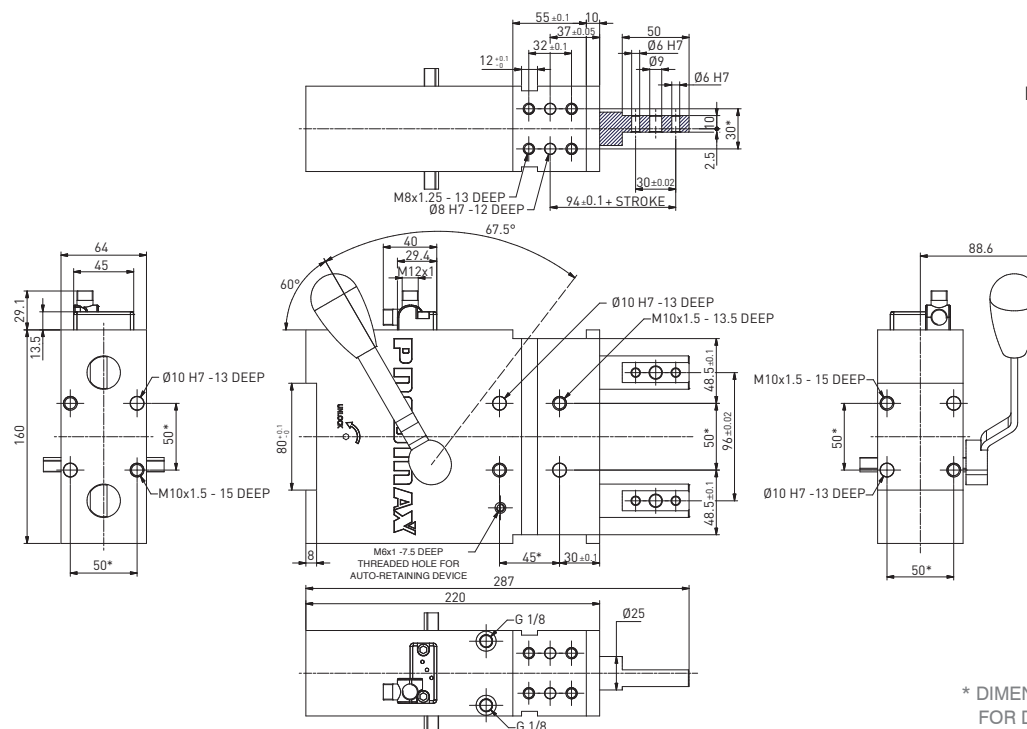
* DIMENSIONAL TOLERANCE
FOR DOWEL HOLES: ± 0.02
DIMENSIONAL TOLERANCE
FOR THREADED HOLES: ± 0.1

REV. 02 - 08/11/2022

FTD50E40G5 / Retractable locating pin package with dual rods and toggle linkage and manual operation - Size 50 mm
Rod termination 5 – 2.5 mm out of axis mounting surface

WEIGHT 7,5 KG
Handle included

Max Hand Force: 200 N



* DIMENSIONAL TOLERANCE
FOR DOWEL HOLES: ± 0.02
DIMENSIONAL TOLERANCE
FOR THREADED HOLES: ± 0.1

REV. 02 - 08/11/2022

Locating

Quick installation guide

LOCATING

Caution

Any maintenance operation may only be carried out by qualified and authorized personnel. For any reason, do not reach into the pivoting range of the clamping arms, when the clamps are in operation. Disconnect and lock out pneumatic and electric supply lines before operating on or around clamps.

A worksheet for the right sizing of the pin packages is available upon request. Visit our website for technical documents

<http://automotive.pneumax.it/>



Pressure operating range: from 2 to 8 bar/ from 30 to 115 psi.
Inline lubrication isn't required: if lubricated air is used, it is necessary to continue using lubricated air, as the oil in it may have removed the basic lubrication in the device.

Functional description

Retractable locating pin packages

When operated, the cylinder **extends and retracts the rod**.

Anti-rotation mechanism. A dual piston rod guiding grants positional **accuracy and repeatability**.



Retractable locating pin packages with CNOMO mounting pattern

When operated, the cylinder **extends and retracts the rod**.

Anti-rotation mechanism. A dual piston rod guiding grants positional **accuracy and repeatability**. Please refer to the catalogue for the deviation values for different strokes and load.



High Performance retractable locating pin packages

Pneumatic tandem pin package with **large output force**. Pressure is applied to both pistons resulting in an approximately doubled piston output force of a corresponding piston diameter. Appreciable **saving in bulk** and weight due to the all-aluminium housing, which comprises the head cap. **Anti-rotation** mechanism. A dual piston rod guiding grants positional **accuracy and repeatability**.



Retractable locating pin packages with dual rods

When operated, the cylinder **extends and retracts the rods**, which could be **rotated by 180°**, thus achieving a **symmetrical rod orientation**. A dual piston rod guiding grants positional **accuracy and repeatability**. Make sure that the rods are doweled only on a single side to avoid any misalignment. Please refer to the catalogue for the deviation values for different strokes and load.



The clamp is warranted for 3 mln cycles in correct operating conditions

No lubrication.

No preventive maintenance.

The pin packages do not require any specific adjustment.

The rod alignment as well as the anti-rotation are set in the manufacturing department and do not require any adjustment on-site.

External cleaning with non-corrosive detergents is required: cleaning interval depends on the ambient conditions as well as on the frequency of use.



Pin package installation to the tool

The pin package can be installed by one of its three mounting surfaces, using dowels and screws according to its datasheet. The tightening torques to be set are:

M6 10 N m / 7.37 lb-ft

M8 25 N m / 18.43 lb-ft

Use the key support surfaces, where available.

Always use all the bores on the mounting pattern.

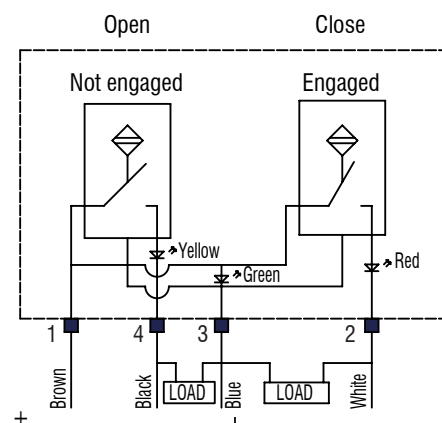
Electronic sensor

ES001 is used for all pin packages' sizes and series. Stepless adjustment of the connector: unscrew the tightening screw and set the connector in the required position, then secure the screw with 5 N m / 3.68 lb-ft.

To replace the sensor, remove the M5 screw and assemble a new one by tightening the same screw with 5 N m / 3.68 lb-ft.



Technical features	
Operating voltage	10-30 VDC
Voltage drop	≤ 2 V
Load current	≤ 100 mA
Current consumption	≤ 25 mA
Short-circuit protection	protected
Protection rating	IP68
Operating temperature	-0 °C +50 °C
Storage temperature	-25 °C +60 °C
Electromagnetic compatibility	EN 60947-5-2:2007 + A1:2012
Power supply indication	green LED
Open position indication	yellow LED
Closed position indication	red LED



Simplified diagram (PNP)

Handling

Pneumatic gripper clamps with fully adjustment opening angle



HANDLING



Quick set-up



No flow valve required

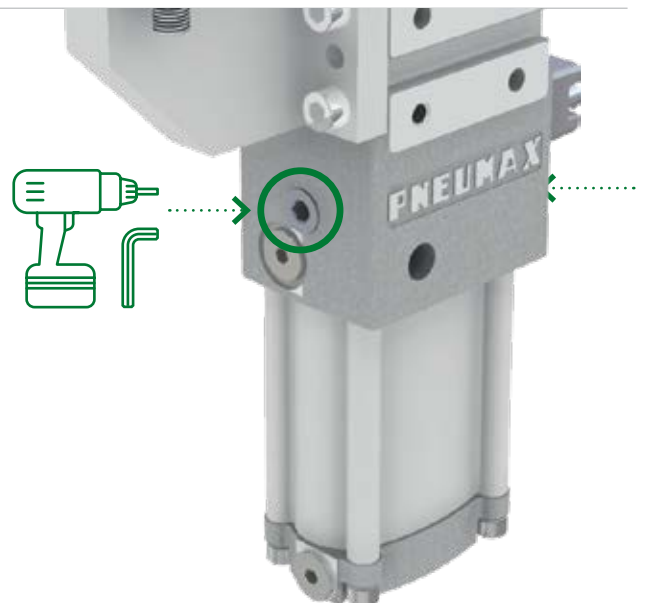
Toggle-joint mechanism

Compact gripper clamps with toggle-joint mechanism, to secure the workpiece clamping in case of air loss: the jaws remain locked in closed position.

Mainly used to **hold the workpiece on edges or through holes – from above or below – and to transfer parts.**

The shortest set-up time in the market

Easy field adjustment of the opening angle, from the rear or front side of the gripper clamp with the shortest set-up time in the market.



Handling products

J-Series

Complete reliability of the angle adjustment over time integrated mechanism secures the adjusted position and prevents any sliding or opening angle displacement. A **retain mechanism** secures the **adjustment tool in its seat** and prevents the Allen wrench to fall down during the adjustment procedure.

Even without air, the clamp can be toggle-locked through the adjustment means.



Sealed roller bearings

Lightweight design, which does not compromise the stiffness and strength of the housings.

Equipped with sealed roller bearings, to ensure a high protection degree against contaminants > **fully encapsulated housing**.

No flow valve required

No slamming towards the opening position due to an optimal integrated cushioning system.



J-Series



Pneumatic gripper clamps

Technical features

Manual release button to open the linkage when air pressure is removed during setup. **Pneumatic ports on both sides** of the cylinder.

Operating features

Operating pressure	from 2 to 8 bar / from 30 to 115 psi
Lubrication	all the devices are lubricated for life at the factory. Inline air lubrication isn't required

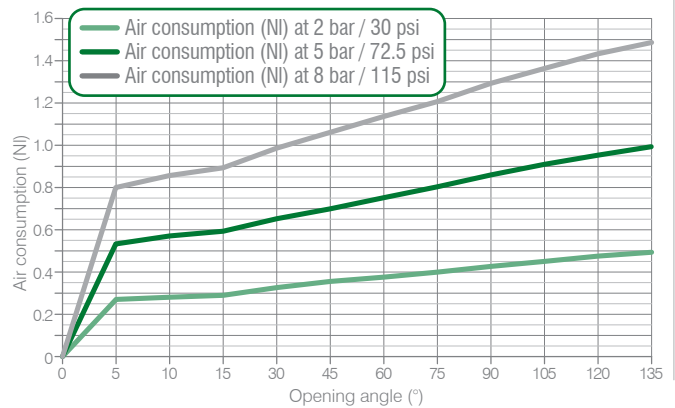
Functional charts

Size 40 mm

- **Cycle time for max opening angle**
< 0.8 s NO flow valve required
- **Clamping moment (at 5 bar / 72.5 psi)**
50 N m / 36,87 lb-ft
- **Holding moment**
75 N m / 55,31 lb-ft

The above data are meant for correct working conditions of the clamp with the same performance level during its life time. For applications which exceed the above data, please contact our sales representatives.

- **Air consumption / Complete cycle (opening and closing)**
REV. 00 - 17/06/2015



Ordering string

J-Series

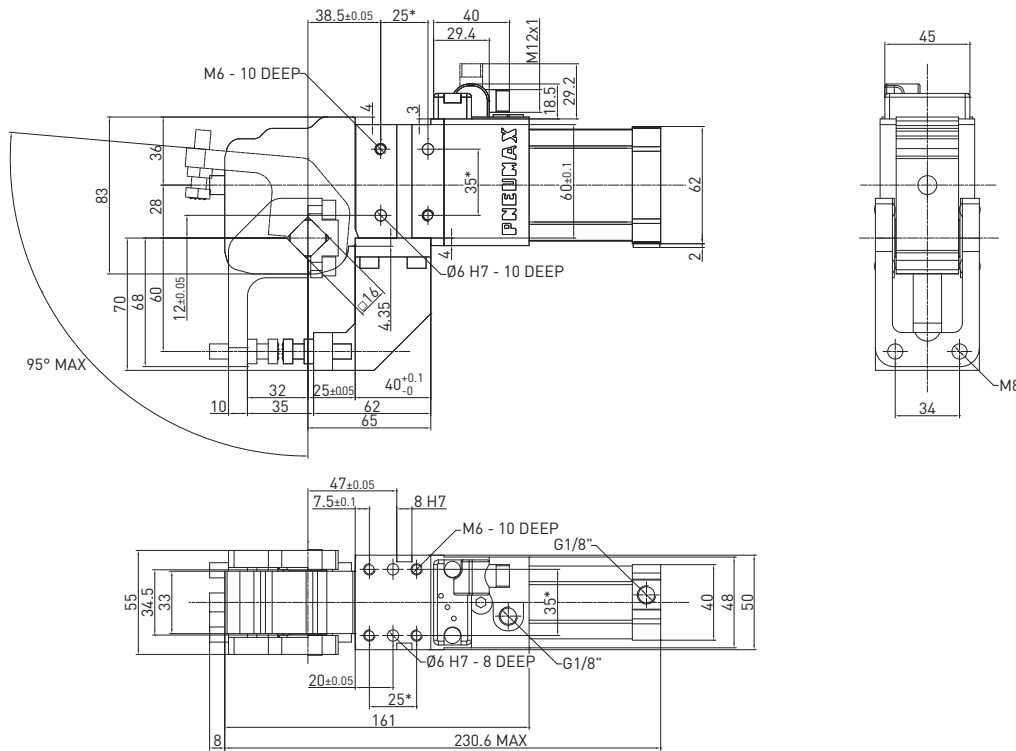
J P 40 E G 1 2 A

J	VERSION	J = Retractable locating pin package with dual rod
P	OPERATION	P = pneumatic D = pneumatic with manual operation
40	SIZE	40 = Ø 40 mm
E	SENSOR	E = electronic sensor with M12 swivel connector - PNP A = electronic sensor with M12 swivel connector - NPN N = no sensor B = electronic sensor with M8 swivel connector - PNP
G	PORTS	G = G thread – BSPP
1	ARM MOVEMENT	1 = upper jaw
2	CLAMP ARM TYPE	2 = 2 pairs of knurled tips (not included in the scope of the supply)
A	ARM MATERIAL	A = aluminum S = steel



JP40E / Gripper clamp - Size 40 mm

WEIGHT 1.9 kg

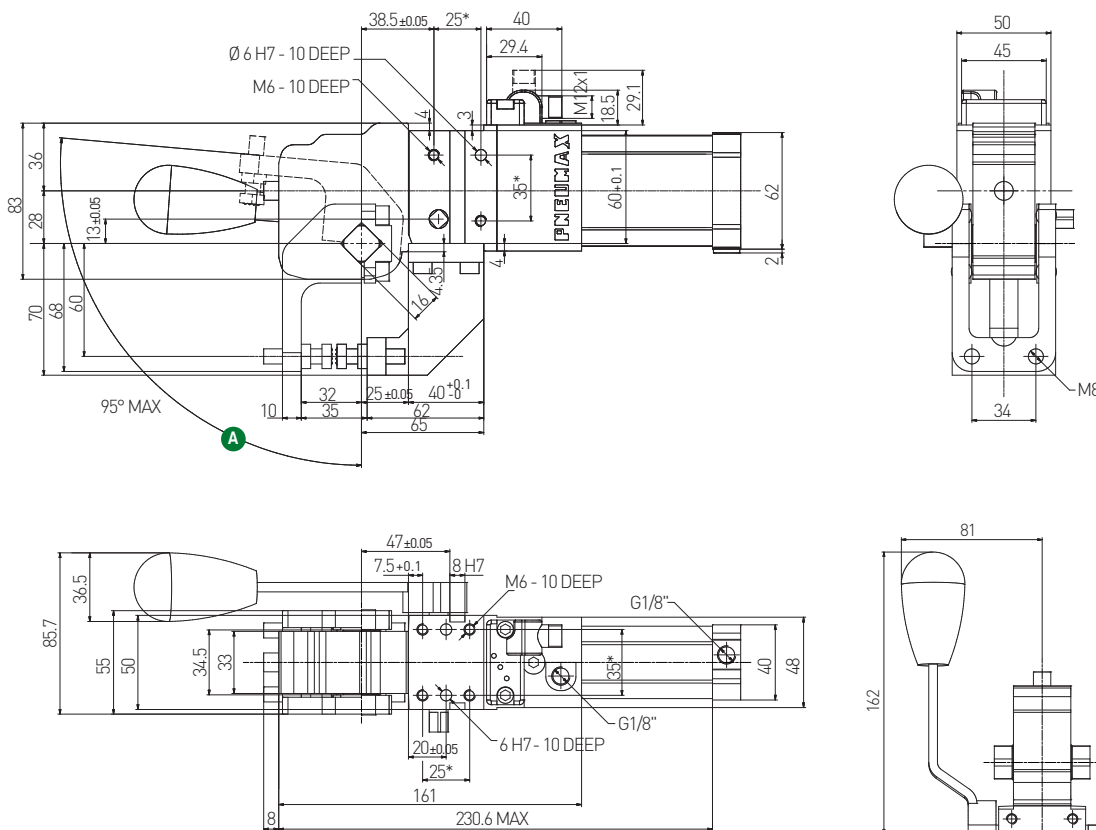


* DIMENSIONAL TOLERANCE FOR DOWEL HOLES: ± 0.02
DIMENSIONAL TOLERANCE FOR THREADED HOLES: ± 0.1
REV. 00 31/03/2015

HANDLING

JD_40E / Gripper clamp - Size 40 mm - Manual operation

WEIGHT 2.2 kg
D1 handle included



Handle swivel angle

Arm opening angle	Handle swivel angle A
0°	4.12°
15°	22.65°
30°	38.2°
45°	58.4°
60°	83.6°
75°	107.6°
90°	123.6°
105°	132.75°
120°	137.7°
135°	140°

D1 Version

D2 Version

M5x16 screws
Tightening torque: 5 Nm / 3.68 Lb ft

* DIMENSIONAL TOLERANCE FOR DOWEL HOLES: ± 0.02
DIMENSIONAL TOLERANCE FOR THREADED HOLES: ± 0.1

REV. 00 - 17/06/2015

Handling

Quick installation guide

Caution

Any maintenance operation may only be carried out by qualified and authorized personnel. For any reason, do not reach into the pivoting range of the clamping arms, when the clamps are in operation. Disconnect and lock out pneumatic and electric supply lines before operating on or around clamps.

A worksheet for the right sizing of the clamp is available upon request. Visit our website for technical documents

<http://automotive.pneumax.it/>



Pressure operating range: from 2 to 8 bar/ from 30 to 115 psi.
Inline lubrication isn't required: if lubricated air is used, it is necessary to continue using lubricated air, as the oil in it may have removed the basic lubrication in the device.

HANDLING

The clamp is warranted for 3 mln cycles in correct operating conditions

No lubrication.

No preventive maintenance.

External cleaning with non-corrosive detergents is required: cleaning interval depends on the ambient conditions as well as on the frequency of use.



Clamp installation to the tool

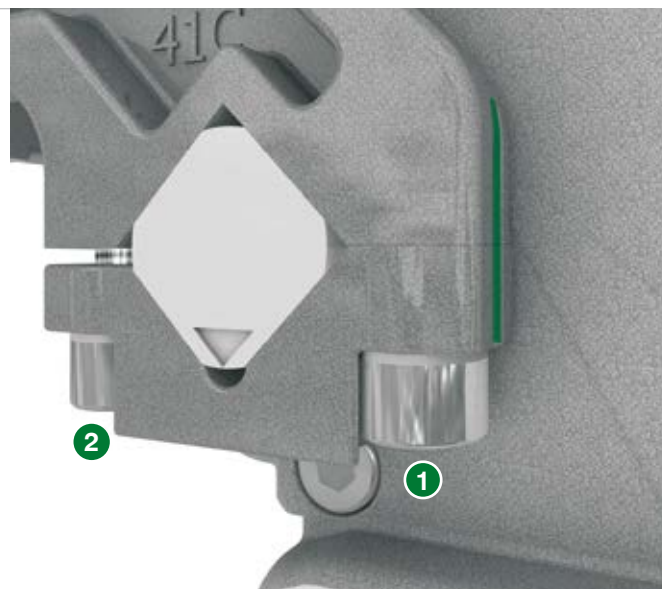
The gripper clamp can be installed by one of its four mounting surfaces, using dowels and screws according to its datasheet. The tightening torques to be set are:

M6 10 N m / 7.37 lb-ft

Use the key support surfaces, where available.
Always use all the bores on the mounting pattern.

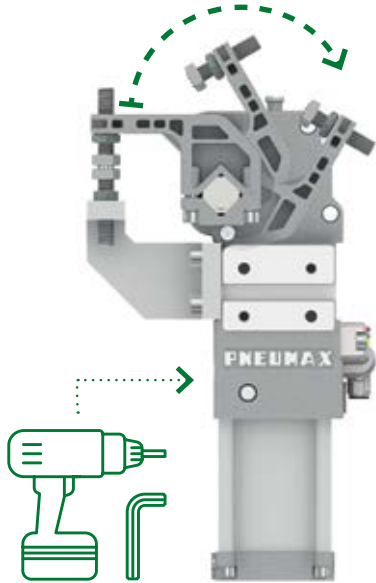
Clamping jaws mount

The sides of the brackets have two different heights. Assemble the brackets to the side of the clamping arm, so that the surfaces, where the side mark has been machined on, will match. Secure, at first, the screw on the mark side **1** by setting the tightening torques to 22 N m /16.22 lb-ft and leave no gap between the bracket and the jaws. Then, secure the other screw **2**: in this case, due to the different length of the sides of the brackets, a gap between the same and the clamping arm will be noticed. Always use locking washers. Please refer to the clamping arms' datasheet for possible clamping arm position and the respective max opening angle.



Opening angle adjustment

The jaws must be in the open position. Insert a 5 mm hexagonal flat Allen Wrench or a screw gun and adjust the opening position to the required opening angle.

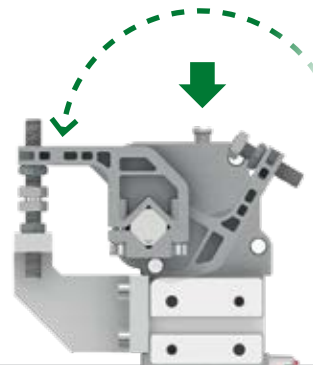


Visit our website for a video of the adjustment procedure. **No adjustment of the sensor is required.**

One access point to opening angle adjustment on each side

Manual release button

To manually unlock the mechanism, hit the bolt with a rubber mallet. The linkage will automatically release itself from the over-centre position. To close the clamps during set-up operations, without air, use a screw gun or a flat Allen wrench to engage the adjustment means and adjust the clamp till 0° opening angle: the linkage will be toggle-locked as the manual release button is completely outside. The J40D and the JK40D series are equipped with a handlever, with whom the clamp can be closed and opened.



Adjustment Of the tips

Adjust the lower tips at a predetermined position and place the metal sheet to be held. For an optimal holding of the workpiece, adjust the tips on the mobile arm until contact with the workpiece is reached. Open and close the clamp. After a proper adjustment to get the required clamping force has been accomplished, secure the tip screws by tightening the bolts. Tips with different holding surfaces are available upon request.

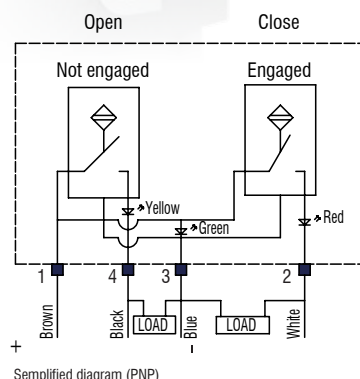
Electronic sensor

ES001 is used for all clamps' sizes and series. Stepless adjustment of the connector: unscrew the tightening screw and set the connector in the required position, then secure the screw with 5 N m / 3.68 lb-ft.

To replace the sensor, remove the M5 screw and assemble a new one by tightening the same screw with 5 N m / 3.68 lb-ft.



Technical features	
Operating voltage	10-30 VDC
Voltage drop	≤ 2 V
Load current	≤ 100 mA
Current consumption	≤ 30 mA
Short-circuit protection	protected
Protection rating	IP68
Operating temperature	-0 °C +50 °C
Storage temperature	-25 °C +60 °C
Electromagnetic compatibility	EN 60947-5-2:2007 + A1:2012
Power supply indication	green LED
Open position indication	yellow LED
Closed position indication	red LED
Digital output type	PNP



Pivoting

Robust and reliable pivot units to accurately position and/or rotate tooling or parts to work condition



Quick set-up



Robust conical roller bearings

PIVOTING

Easy set-up and quick installation time

The orientation of the ports can be easily achieved by untightening the tie rods.

No external limit stop required

Pneumatic cushioning of both end positions: fixed orifices and integrated cushioning provide for smooth operation in the closing and opening cycles.

Robust conical roller bearings

Drive shaft connections are all equipped with robust conical roller bearings for a **high load capacity and side load acceptance**.

All enclosed mechanism

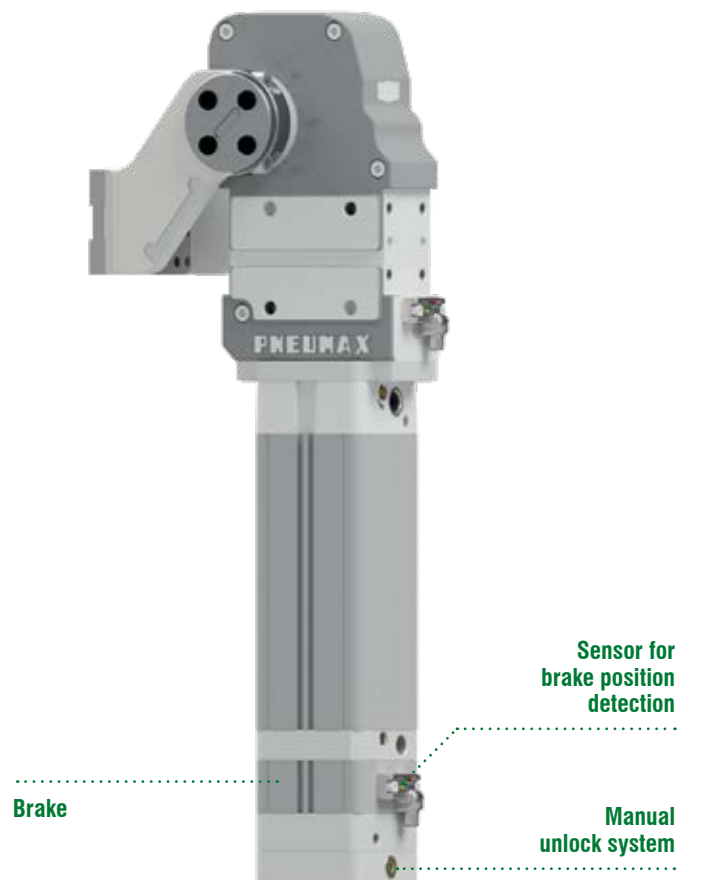
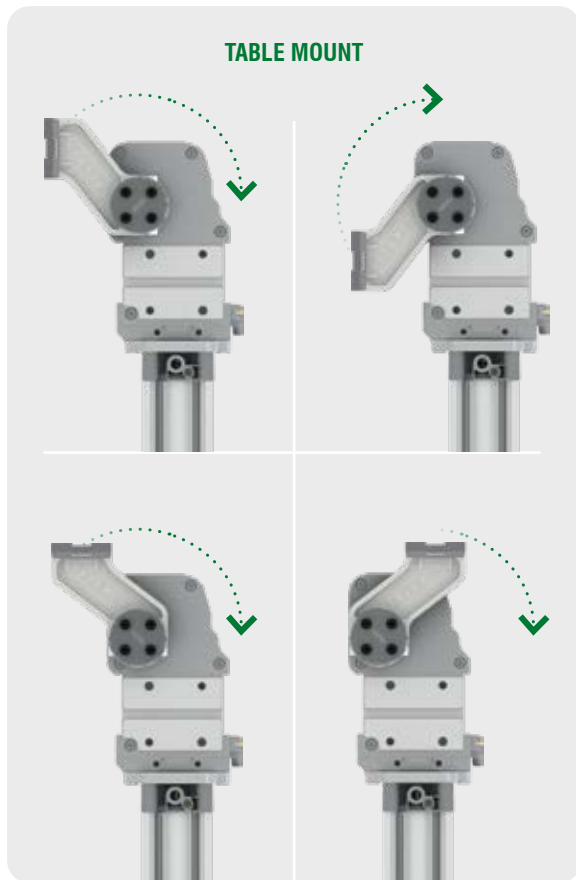
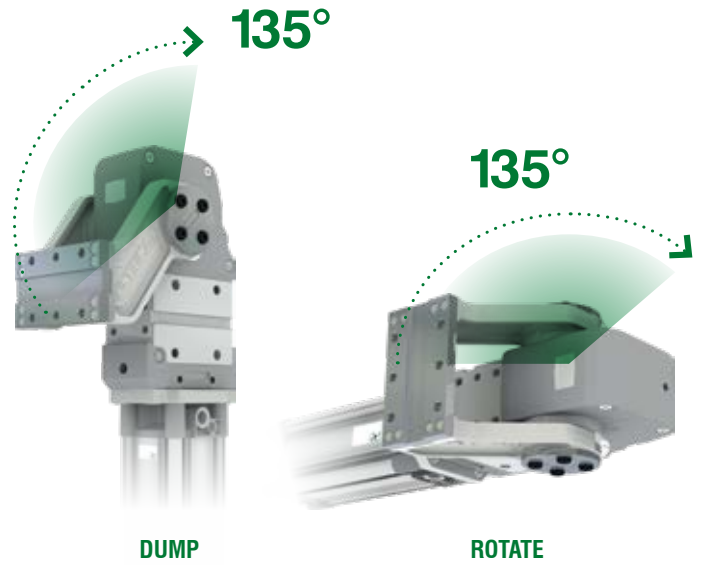
to ensure a high protection degree against contaminants and years of service life **without maintenance** to minimize downtime associated with contamination.

Power pivots

P-Series

The P series can be mounted by its rear or front mount and can be used as a **DUMP** device. By mounting the pivot units by their lateral mounts, they can be used to **ROTATE** parts, tooling and clamps' assemblies.

- Remains locked even after loss of air pressure
- Front, rear and side mounting surfaces
- Four table mounting positions available
- 1 sensor for all sizes and opening angle with stepless adjustable connector
- Extra light products



PIVOTING

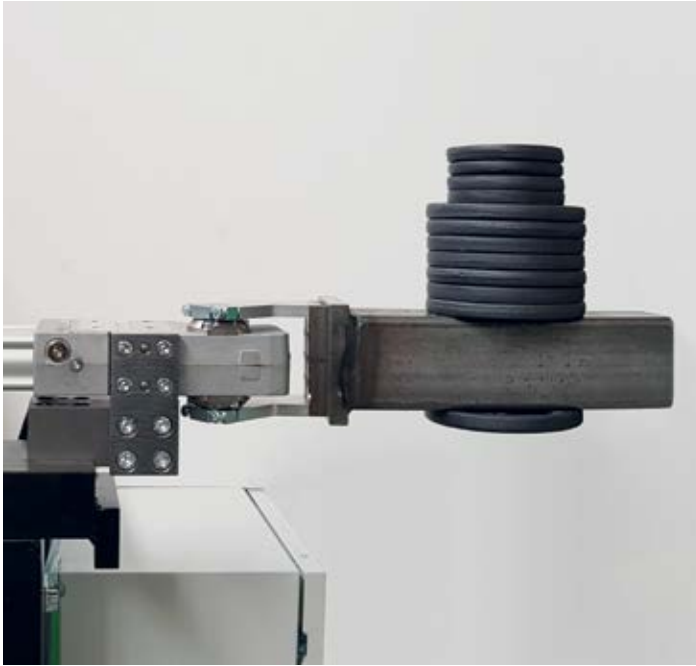
P63-Series

Pneumax guarantees high reliability of all products through a 100% testing procedure made by the Automotive division Quality Department.

Conforming to standard

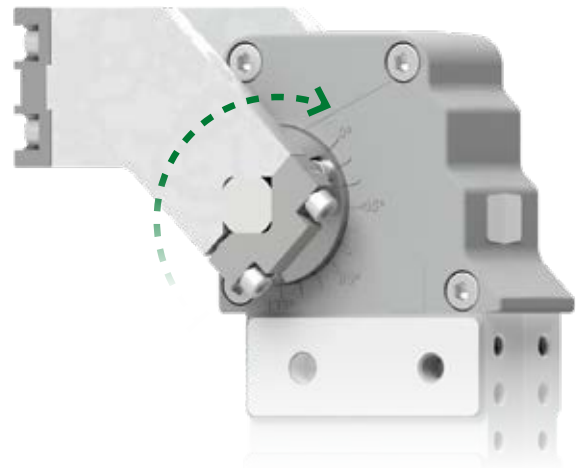
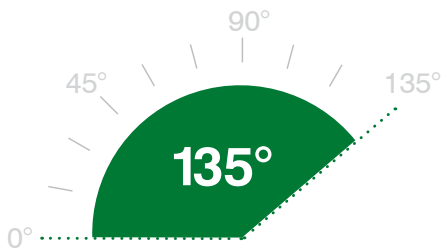


PIVOTING



Max swivel angle: 135°

The only fully adjustable opening angle from 0° to 135° in the market.



P-Series



INTERNATIONAL
MOUNT

GLOBAL STANDARD COMPONENTS
NAAMS

Pivot units

Technical features

Manual release button to open the linkage when air pressure is removed during setup.

Operating features

Operating pressure from 2 to 8 bar / from 30 to 115 psi

Lubrication all the devices are lubricated for life at the factory. Inline air lubrication isn't required

Functional charts

- **Max opening angle for table positions**

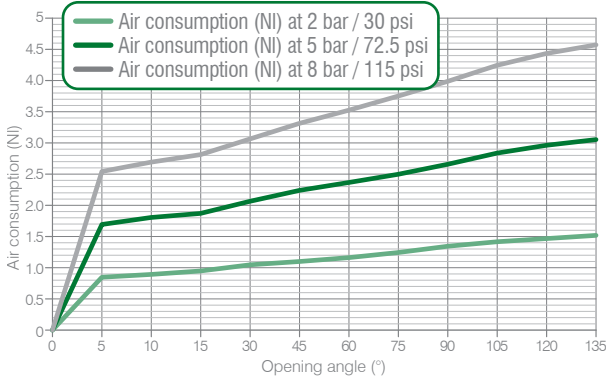
	Pos. 1	Pos. 2	Pos. 3	Pos. 4
135°	✓	✗	✓	✗
120°	✓	✗	✓	✗
115°	✓	✓	✓	✗
90°	✓	✓	✓	✗
60°	✓	✓	✓	✓
45°	✓	✓	✓	✓

Any intermediate opening angle is available upon request

Size 63 mm

- **Admissible load moment**
16 N m / 10,32 lb-ft
- **Holding moment**
1.500 N m / 1.106,34 lb-ft

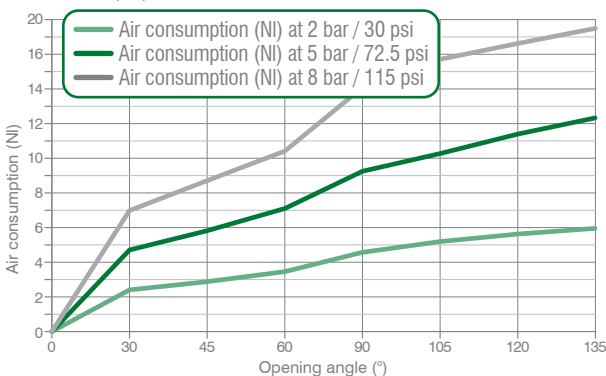
- **Air consumption** / Complete cycle (opening and closing)
REV. 00 - 17/06/2015



Size 100 mm

- **Admissible load moment**
130 N m / 95,88 lb-ft
- **Holding moment**
2.500 N m / 1.843,90 lb-ft

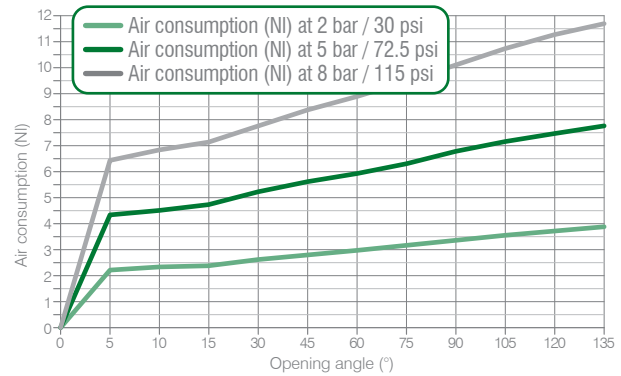
- **Air consumption** / Complete cycle (opening and closing)
REV. 00 - 15/05/2015



Size 80 mm

- **Admissible load moment**
70 N m / 51,62 lb-ft
- **Holding moment**
2.500 N m / 1.843,90 lb-ft

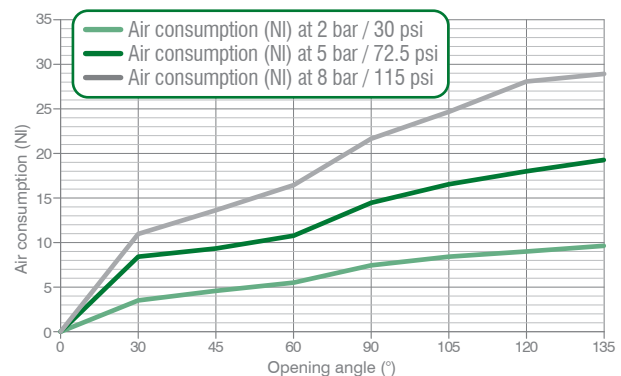
- **Air consumption** / Complete cycle (opening and closing)
REV. 00 - 15/05/2015









Size 125 mm

- **Admissible load moment**
180 N m / 132,76 lb-ft
- **Holding moment**
2.500 N m / 1.843,90 lb-ft





- **Air consumption** / Complete cycle (opening and closing)
REV. 00 - 15/05/2015



Ordering string
Size 63
P 63 E G 1 1 N ADJ

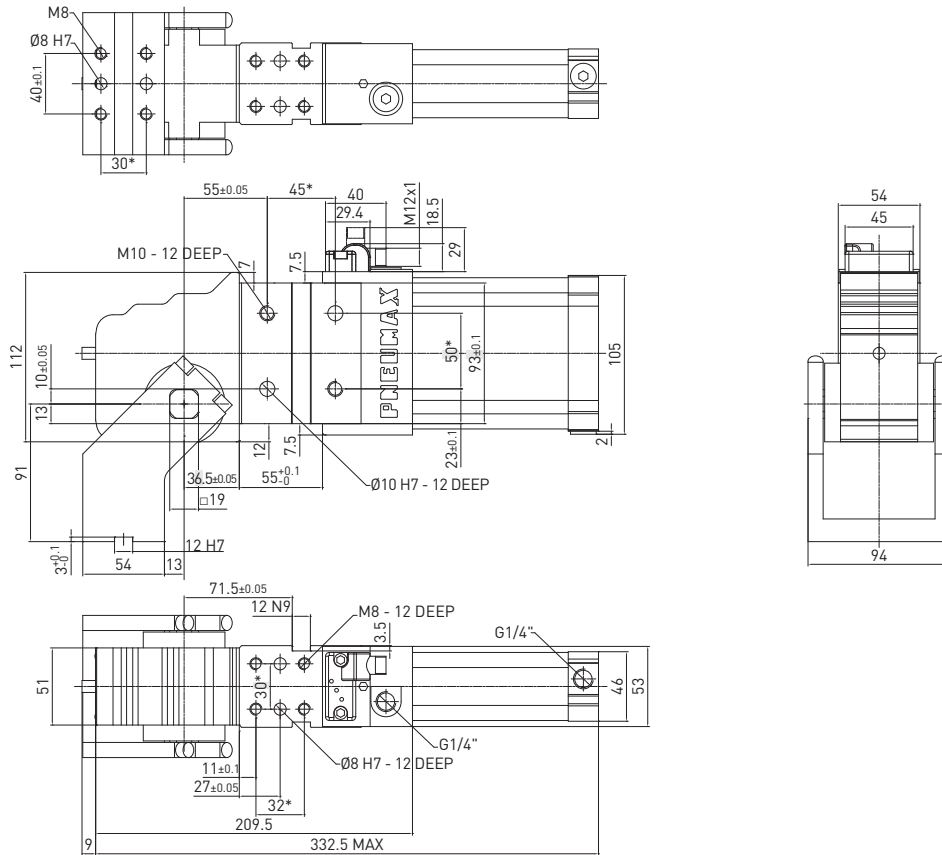
P	VERSION	P = Pivot unit
63	SIZE	63 = Ø 63 mm
E	SENSOR	E = electronic sensor with M12 swivel connector - PNP A = electronic sensor with M12 swivel connector - NPN N = no sensor B = electronic sensor with M8 swivel connector - PNP
G	PORTS	G = G thread – BSPP
1	MOUNTING PATTERN	1 = International mount  INTERNATIONAL MOUNT 2 = NAAMS Standard  GLOBAL STANDARD COMPONENTS NAAMS
1	TABLE MOUNT	1 =  2 =  3 =  4 =  Max op. angle 135° Max op. angle 112° Max op. angle 135° Max op. angle 70°
N	BRAKE SYSTEM	N = no brake
ADJ	OPENING ANGLE	ADJ = stepless opening angle from 0° to 135°

Size 80, 100, 125
P 80 E 1 G 1 N 45 U

P	VERSION	P = Pivot unit
80	SIZE	80 = Ø 80 mm 100 = Ø 100 mm 125 = Ø 125 mm
E	SENSOR	E = electronic sensor with M12 swivel connector - PNP A = electronic sensor with M12 swivel connector - NPN N = no sensor B = electronic sensor with M8 swivel connector - PNP
1	SUPPLY PORTS POSITION	1 = on the left side from the sensor 2 = on the front side 3 = on the right side from the sensor 4 = on the sensor's side The supply ports position of the brake is the same as the cylinder's
G	PORTS	G = G thread – BSPP
1	TABLE MOUNT	1 =  2 =  3 =  4 = 
N	BRAKE SYSTEM	B = brake N = no brake S = sensor on the brake
45	OPENING ANGLE	45° 60° 90° 120° 135° Any intermediate opening angle is available upon request - Please see the charts for table position as well as for max. opening angle
U	UNLOCK MECHANISM FOR THE BRAKE	U = unlock mechanism (only for brake system: B,S)

P63EG1 / Pivot unit - International mount - Size 63 mm

WEIGHT 6.5 kg

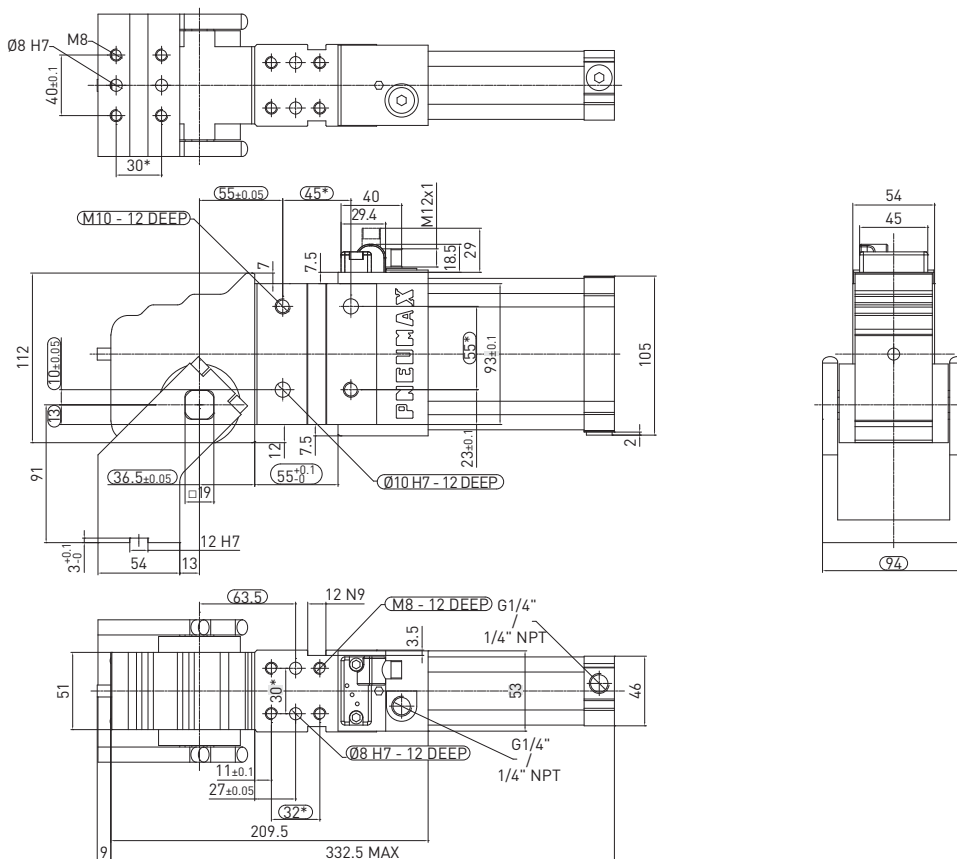


* DIMENSIONAL TOLERANCE FOR DOWEL HOLES: ±0.02
DIMENSIONAL TOLERANCE FOR THREADED HOLES: ±0.1

REV. 00 - 02/08/2019

P63EG2 / Pivot unit - NAAMS Std - Size 63 mm

WEIGHT 6.5 kg

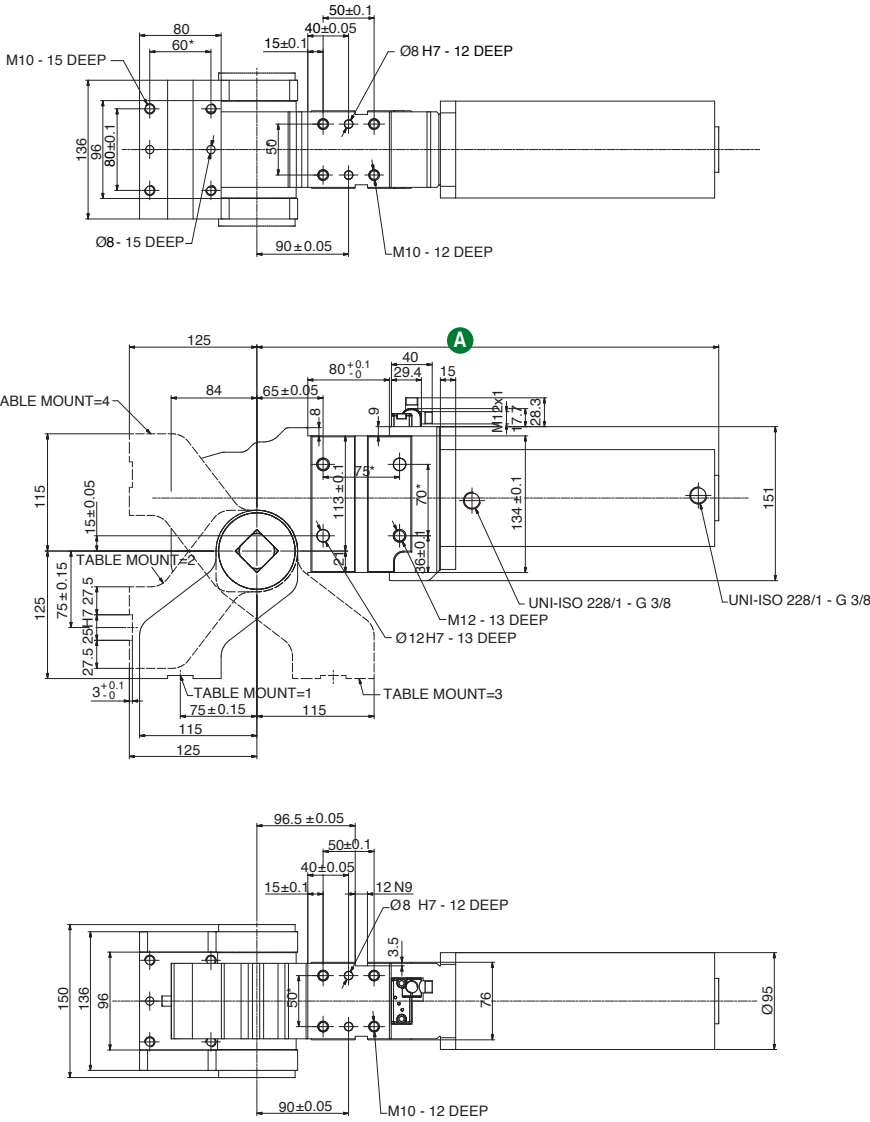


* DIMENSIONAL TOLERANCE FOR DOWEL HOLES: ±0.02
DIMENSIONAL TOLERANCE FOR THREADED HOLES: ±0.1

REV. 00 - 02/08/2019

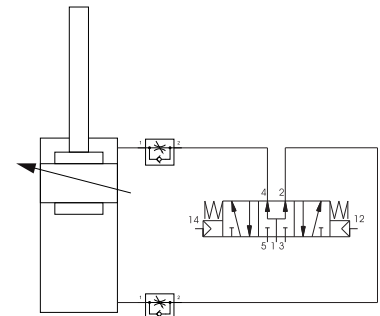
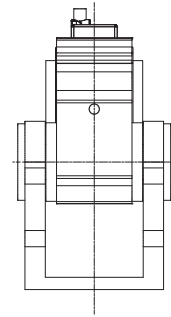
P80_N_ / Pivot Unit - Size 80 mm

WEIGHT 15 kg
135° version



Overall length

opening angle	A Overall length (mm)
45°	382.5
60°	395
90°	420.5
120°	445
135°	453



Not included in the scope of the supply

* DIMENSIONAL TOLERANCE
FOR DOWEL HOLES: ±0.02

DIMENSIONAL TOLERANCE
FOR THREADED HOLES: ±0.1

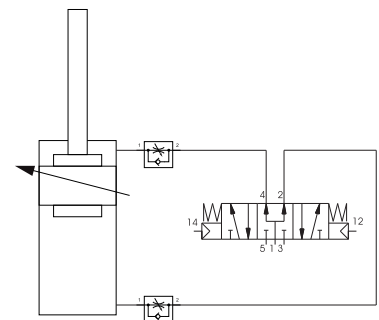
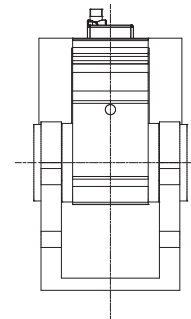
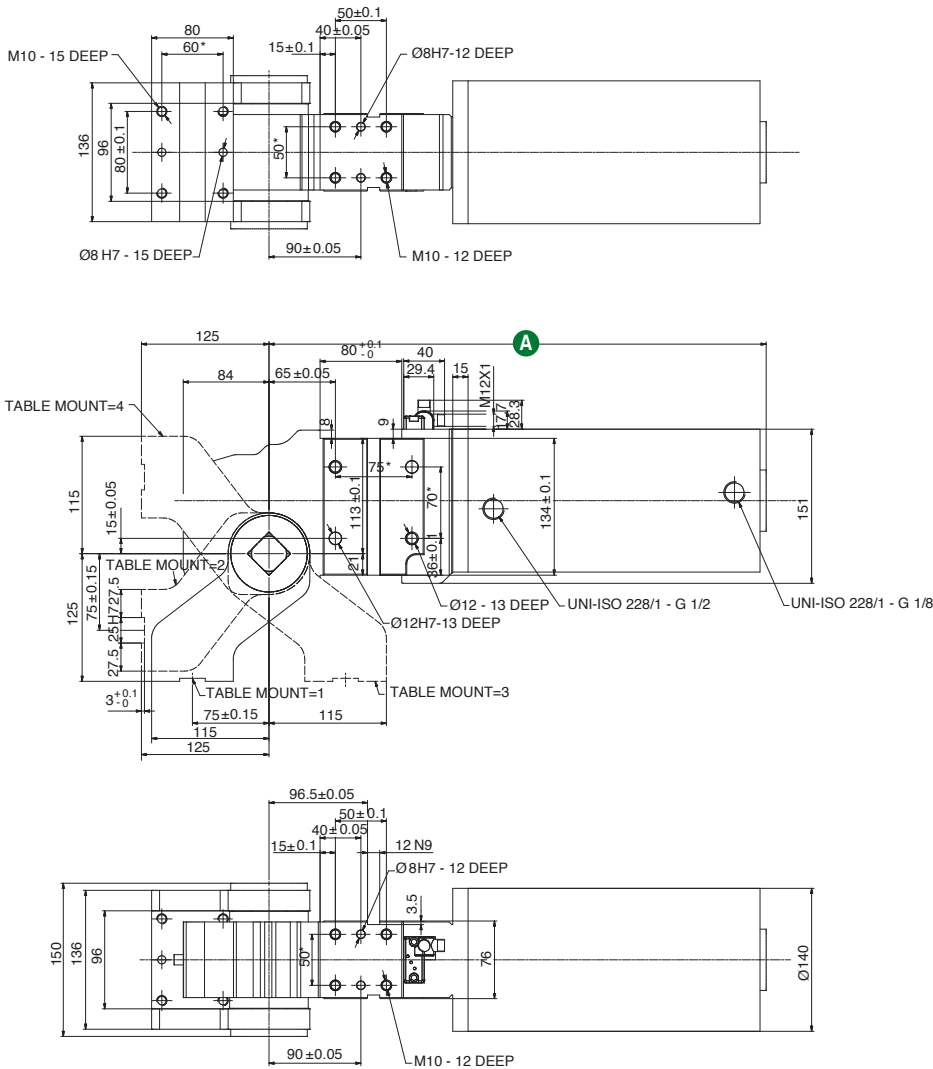
REV. 02 - 05/05/2021

P125_N / Pivot Unit - Size 125 mm

WEIGHT 18.5 kg
135° version

Overall length

opening angle	Overall length (mm)
45°	416.5
60°	429
90°	454.5
120°	479
135°	487



Not included in the scope of the supply

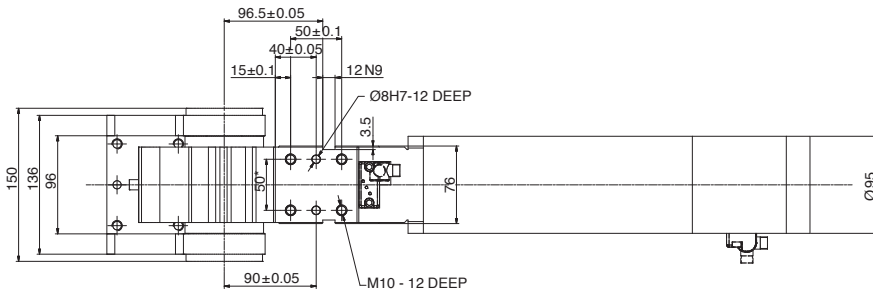
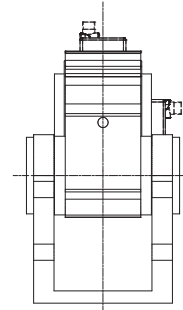
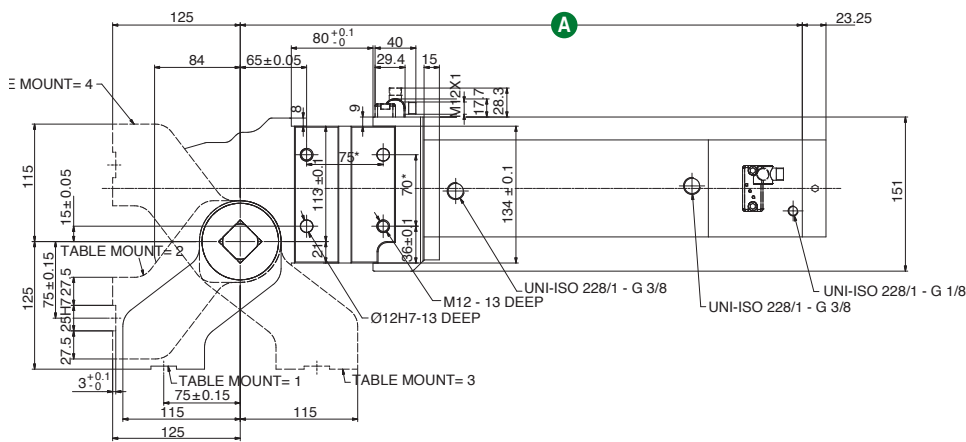
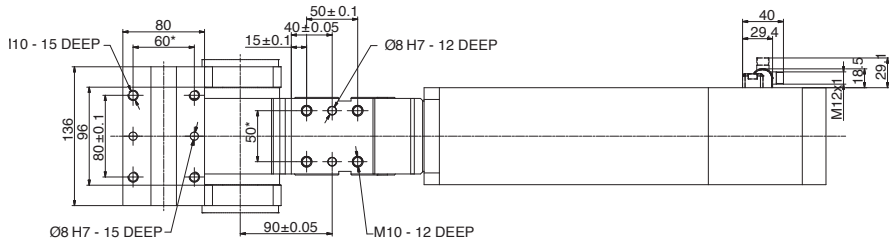
* DIMENSIONAL TOLERANCE
FOR DOWEL HOLES: ±0.02

DIMENSIONAL TOLERANCE
FOR THREADED HOLES: ±0.1

REV. 02 - 05/05/2021

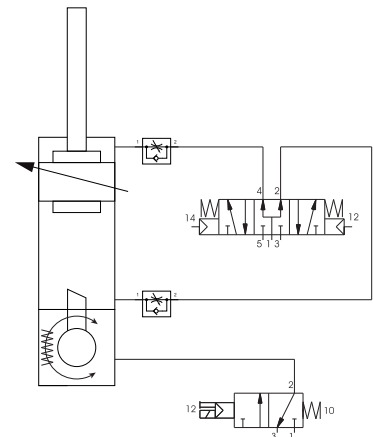
P80E_B/S / Pivot Unit - Size 80 mm

WEIGHT 18.9 kg
135° version



Overall length

opening angle	A Overall length (mm)
45°	480
60°	492
90°	518
120°	543
135°	551



Not included in the scope of the supply

* DIMENSIONAL TOLERANCE
FOR DOWEL HOLES: ±0.02
DIMENSIONAL TOLERANCE
FOR THREADED HOLES: ±0.1

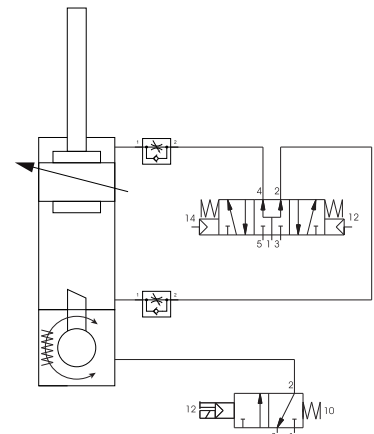
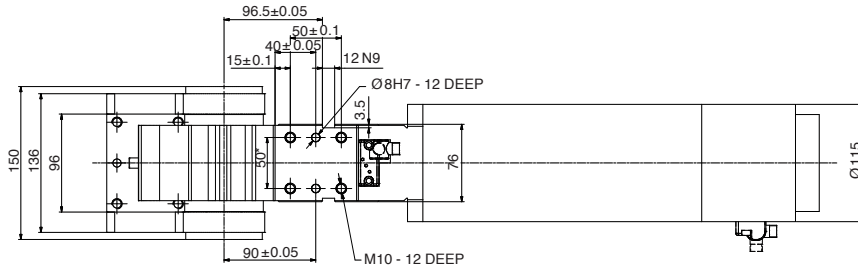
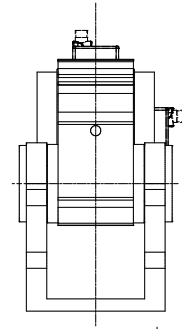
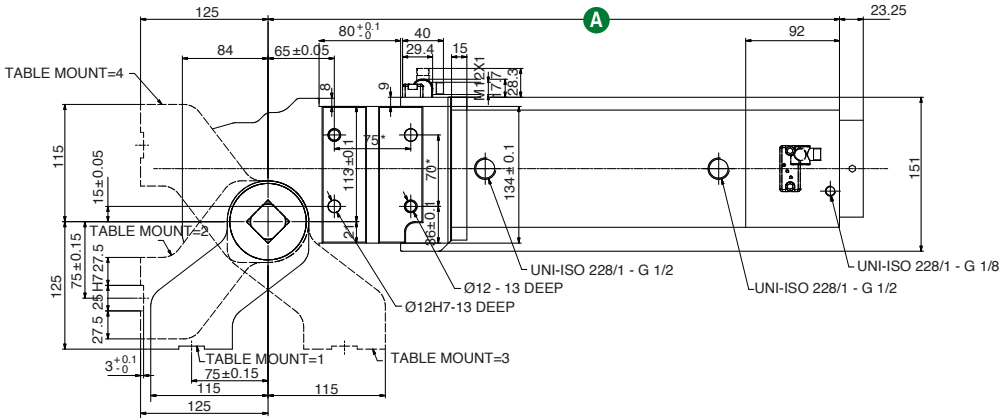
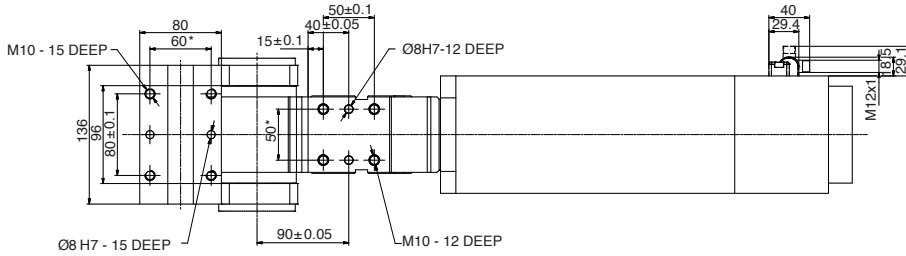
REV. 00 - 05/05/2021

P100E_B/S / Pivot Unit - Size 100 mm

WEIGHT 20.5 kg
135° version

Overall length

opening angle	A Overall length (mm)
45°	486
60°	498
90°	524
120°	549
135°	557



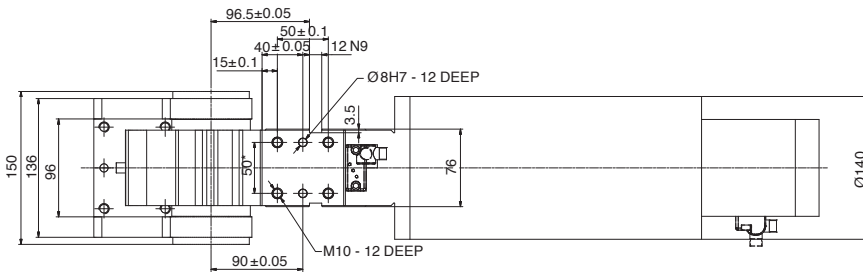
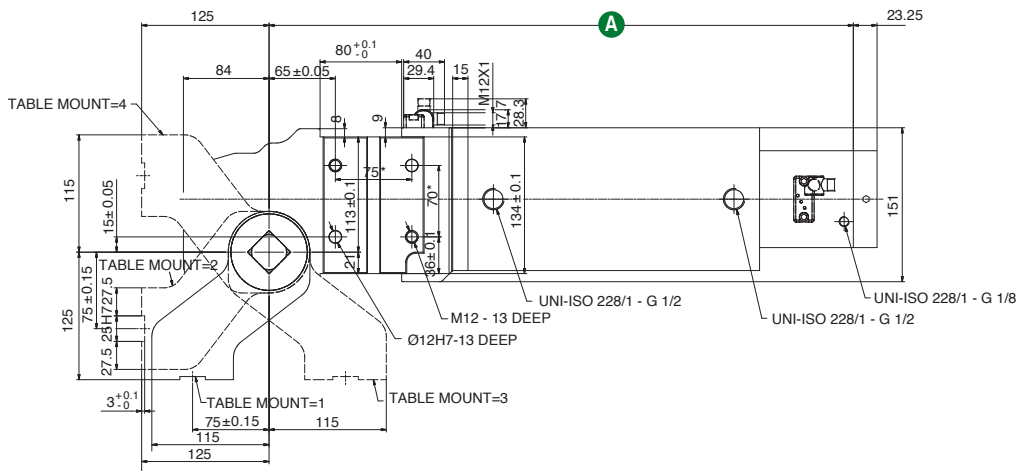
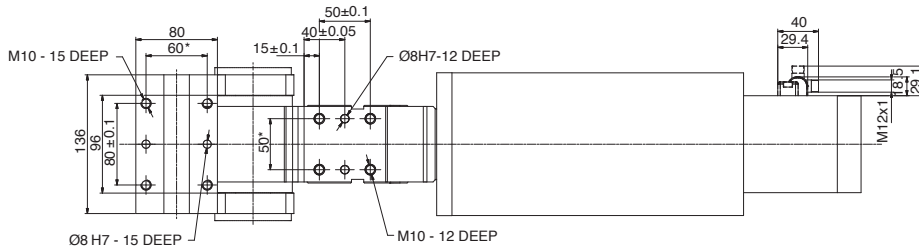
Not included in the scope of the supply

* DIMENSIONAL TOLERANCE
FOR DOWEL HOLES: ±0.02
DIMENSIONAL TOLERANCE
FOR THREADED HOLES: ±0.1

REV. 00 - 05/05/2021

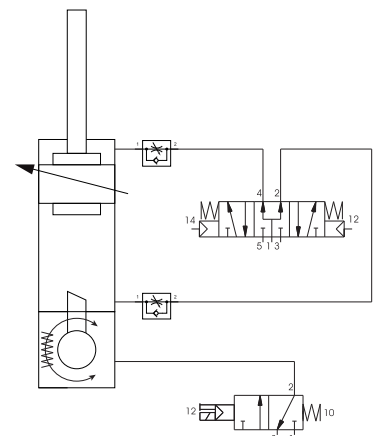
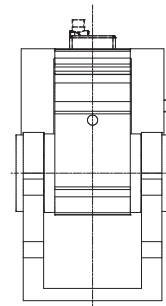
P125E_B/S / Pivot Unit - Size 125 mm

WEIGHT 22.00 kg
135° version



Overall length

opening angle	Overall length (mm)
45°	416.5
60°	429
90°	454.5
120°	479
135°	487



Not included in the scope of the supply

* DIMENSIONAL TOLERANCE
FOR DOWEL HOLES: ±0.02
DIMENSIONAL TOLERANCE
FOR THREADED HOLES: ±0.1

REV. 00 - 05/05/2021

Pivoting

Quick installation guide



Caution

Any maintenance operation may only be carried out by qualified and authorized personnel. For any reason, do not reach into the pivoting range of the units, when they are in operation. Disconnect and lock out pneumatic and electric supply lines before operating on or around power pivots.

Functional description

PNEUMAX power pivots are rotating units typically used in the field of sheet metal working. A pneumatic cylinder operates a toggle linkage and drives it to its closed or open position. A toggle mechanism, integrated in the power pivot's housings, guarantees the closed condition even in the absence of the actuation command.

An external actuating arm is connected to the shaft of the linkage. Power pivots are robust and reliable devices used in fixtures to accurately position and rotate workpieces: they are equipped with robust conical roller bearings with high-load capacity and side load acceptance. They can be mounted by their rear or front mounting surfaces and be used as dump devices, or they can be mounted by their side mounting surfaces and be used to rotate parts or assemblies. The open and closed positions of the actuating arm, also referred to as swivelling table or saddle arm, is detected by an inductive sensor through integrated sensor means in the linkage. Power pivots can be equipped with brake devices configured to stop the unit during its stroke in case of pressure loss.

Safety

Power pivots are designed and manufactured as components to be incorporated in more complex systems or toolings: they are not stand-alone or independent ready-to-be-used devices and for this reason they are not equipped with their own safety equipment.

Power pivots should not be operated before the complete safety control system of the tooling is activated and certified as conforming to all directives and related safety requirements.

All operations and any maintenance work on power pivots must be carried out exclusively by trained staff and by observing all conditions which guarantee the safety of the personnel, in a complete standstill of the whole system.

Handling

Make sure that the packaging is not damaged before unboxing the units; given its considerable weight, it is advisable to use a suitable lifting system and to guarantee that during its handling the load is stably balanced.

Power pivots installation to the tool

Power pivots can be installed by one of their mounting surfaces, using dowels and screws according to its datasheet. The tightening torques to be set are:

M5	5 N m / 3.68 lb-ft
M6	10 N m / 7.37 lb-ft
M8	25 N m / 18.43 lb-ft
M10	35 N m / 25.81 lb-ft
M12	50 N m / 36.87 lb-ft

Use the key support surfaces, where available.
Always use all the bores on the mounting pattern.

Operating conditions

Pressure operating range:

from 2 to 8 bar/ from 30 to 115 psi

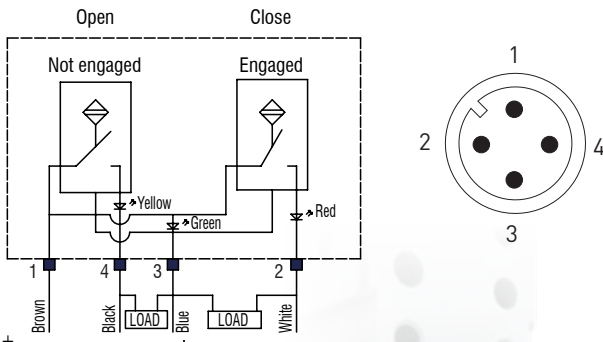
Inline lubrication isn't required:
if lubricated air is used, it is necessary to continue using lubricated air, as the oil in it may have removed the basic lubrication in the device.

Electronic sensor

ES001 is used for all power pivots' sizes and for the detection of the brake condition (activated/ deactivated).
Adjustment of the connector: unscrew the tightening screw and set the connector in the required position, then secure the screw with 5 N m / 3.68 lb-ft.

Technical features

Operating voltage	10-30 VDC
Voltage drop	≤ 2 V
Load current	≤ 100 mA
Current consumption	≤ 30 mA
Short-circuit protection	protected
Protection rating	IP68
Operating temperature	-0 °C +50 °C
Storage temperature	-25 °C +60 °C
Electromagnetic compatibility	EN 60947-5-2:2007 + A1:2012
Power supply indication	green LED
Open position indication	yellow LED
Closed position indication	red LED
Digital output type	PNP

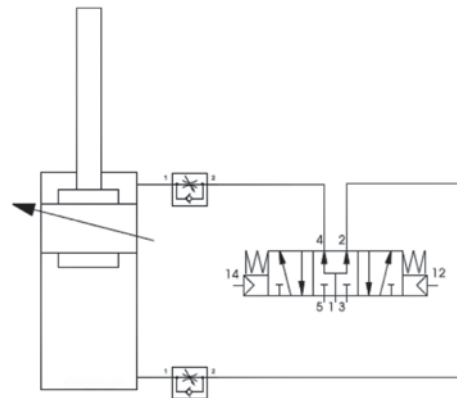


Simplified diagram (PNP)

To replace the sensor, remove the M5 screw and assemble a new one.

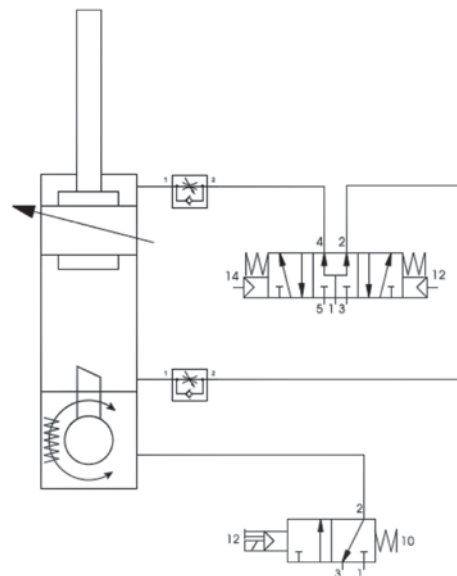


Pneumatic connection Recommended pneumatic scheme



Power pivot without brake

Power pivot with brake system



Manual release mechanism of the linkage

A manual override access to untoggle the linkage in case of emergency is provided for all power pivots. Before unlocking the mechanism, make sure not to reach into the swivel area of the saddle arm: once the linkage is untoggled, the arm can move quickly and abruptly in any direction.



WARNING

Make sure all safety requirements are met. Such operations must be carried out by qualified specialists.



Brake system

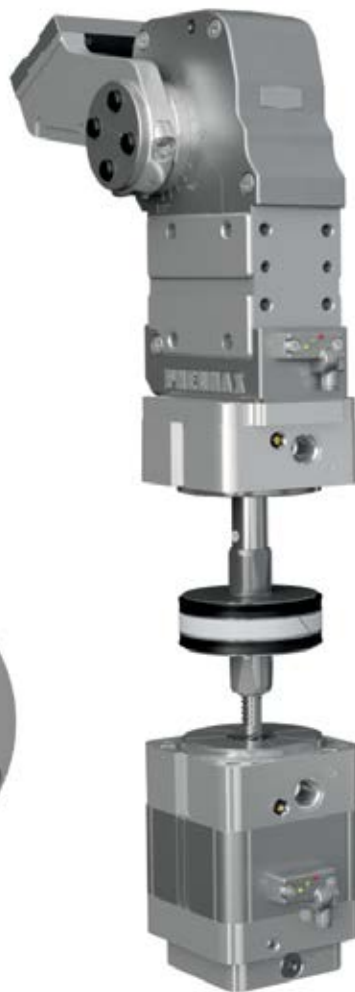
A patented brake system allows for a reliable braking in case of pressure drop. An original design guarantees a wide braking surface in extremely reduced radial dimensions. The brake system is designed for static conditions.

Operating pressure: **2.5 to 8 bar**

We suggest to carry out a yearly functional test of the brake system by simulating an emergency stop.



Patented



PIVOTING

Brake manual unlock device for emergency situations

Power pivots can be equipped with an unlock device to disengage the brake in case of emergency.

A built-in access for a 5 mm Allen wrench is integrated below the rear end cap. A clockwise movement of the Allen wrench will unlock the brake.

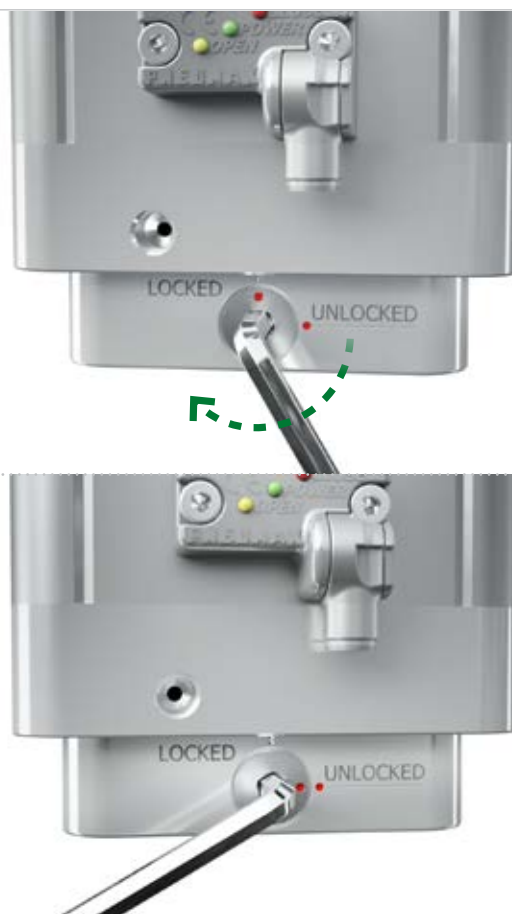
This procedure must be carried out exclusively by qualified specialists. Make sure to meet all related safety requirements and make sure that no operator reaches into the swivel area of the arm.



WARNING

Unlocking the brake will generate an immediate, abrupt movement of the load.

Once the Allen wrench is removed and air is supplied again to the unit, the brake will reset itself automatically.



Orientation of the supply ports

The orientation of the supply ports on any power pivot can be easily and quickly modified, simply by untightening the 4 tie rods and rotating the cylinder block. Air must be disconnected during this procedure. Make sure to comply with the tightening torque specifications shown in the previous pages “power pivots installation to the tool”.



External stops, guides and shock absorbers

Using external stops, guides and shock absorbers is not a recommended procedure, as it may interfere with the correct functioning of the unit. All Pneumax power pivots are equipped with an integrated hard stop for the linkage, which guarantees an accurate and repeatable closed position. By using additional external stops or guides which prevent the power pivot to completely reach its end stroke, the correct functioning of the linkage will be jeopardized and it will invalidate any warranty of the unit.

In case external stops or guides are installed by the customers, they must not interfere with the correct functioning of the unit.

In case external guides are used, they must not generate any interference higher than 0,05 mm on their support.

In case the load conditions require shock absorbers to be installed, it is strongly recommended that they do not reach their end-stroke before the power pivot is toggle locked.

Stacking conditions

Warehouse temperature: **from -20°C to 50 °C**

Relative humidity: **10% to 90%**

Info

For any further information, do not hesitate to contact us at

automotive@pneumaxspa.com

MLGA NC Locator

Multi-Axes Locator for Geometric Alignments

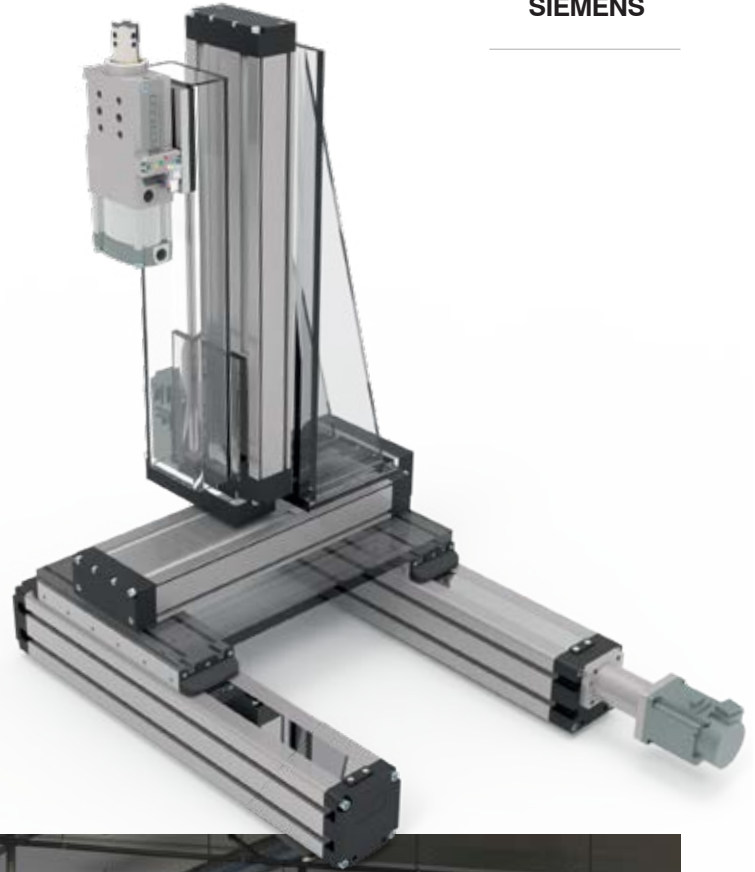
Positioning locator with interpolated electric actuators with ball bushings and brushless servo motors, all controlled by a digital driver system to provide the geometric alignments.

- **Compact design:** the MLGA can be used on grounded toolings or on end effectors with robots
- **High repeatability** and high location accuracy
- **High protection** level against contamination: all components are protected against welding spatter and deposits of debris from on-going mechanical processes. Suitable for harsh environments, as Body In White
- **User-friendly interface** - Simplified HMI, augmented reality and cloud connection.

In partnership with

TELMOTOR

SIEMENS



MLGA NC LOCATOR





Compactness



High repeatability



High resistance



User-friendly Interface

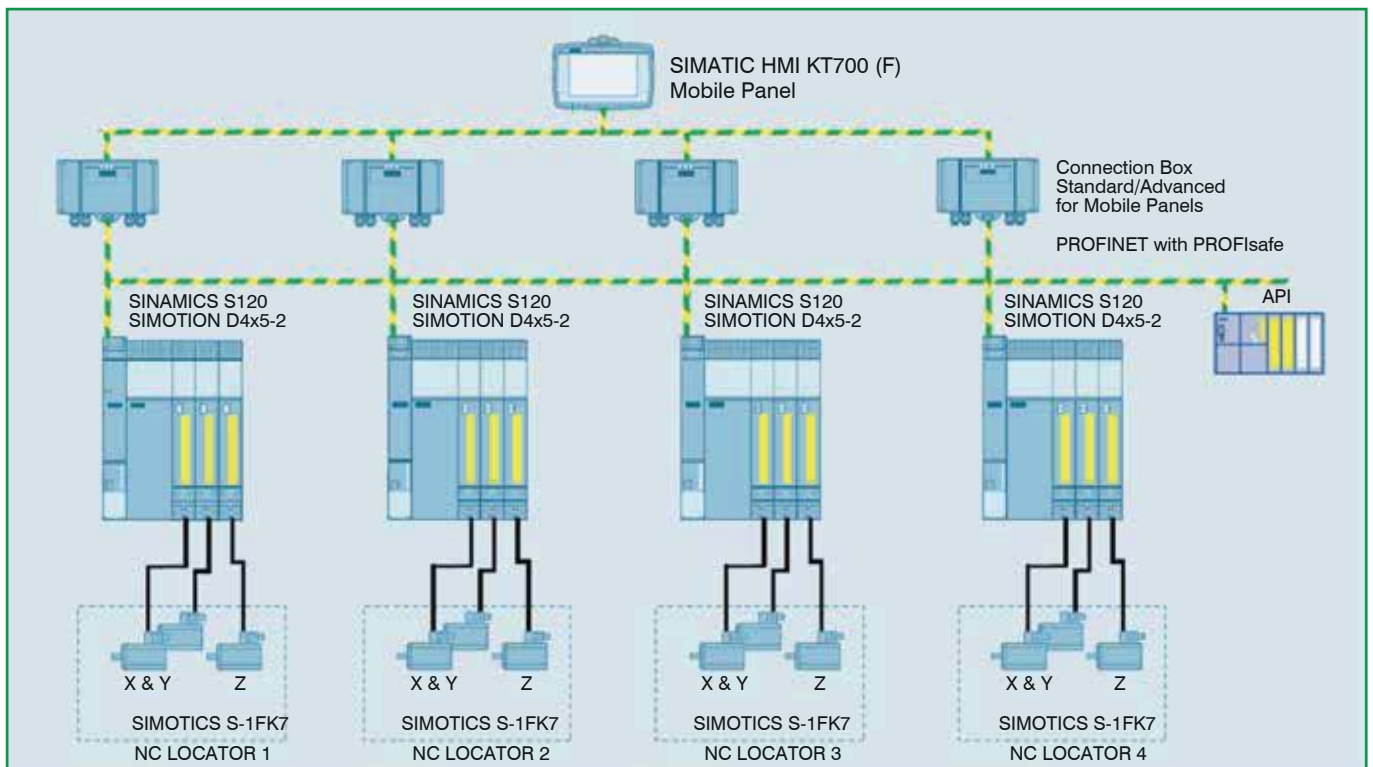
General features

- **DIGITAL TWIN** for commissioning, testing, training and customer specific adoption.
- **RECONFIGURABILITY**: the system allows the operator to adjust the location in order to quickly and easily adapt to different geometric alignments of different models
- **SINAMICS S120** drives with extended safety functions
- **SIMATIC IoT2040 PLATFORM**: in Cloud accurate monitoring of functional parameters and data analytics.
- **SINEMA REMOTE CONNECT** for secure maintenance and connection
- **AUGMENTED REALITY** for easy to use interoperability with the machine and production line.

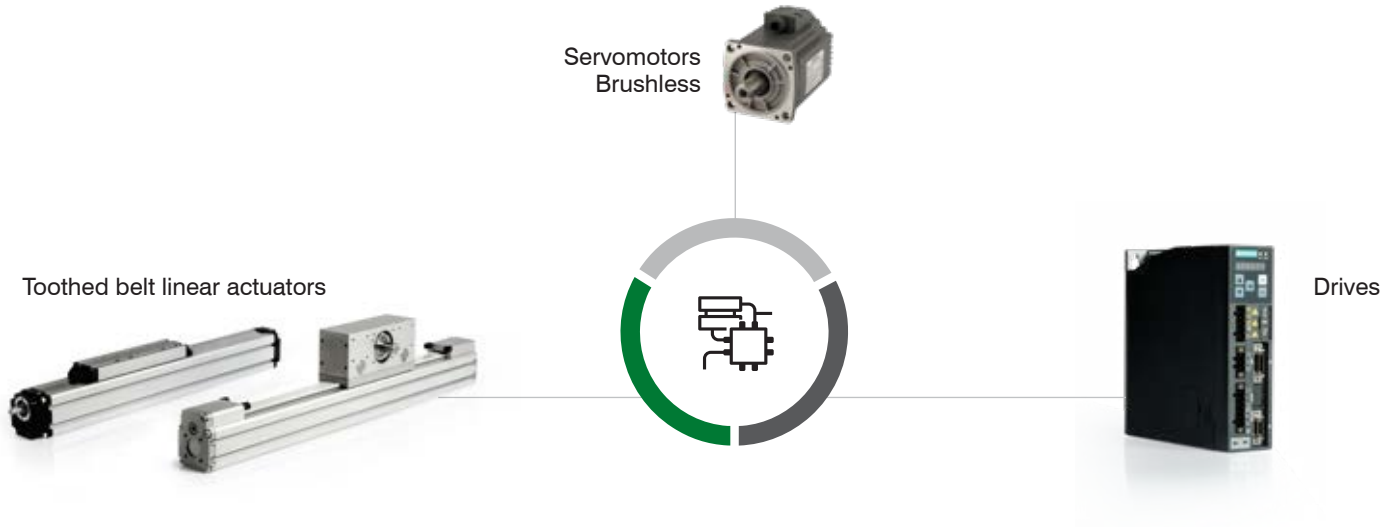


Interpolation of different systems

Possible configuration for process time reduction



Electric actuation



Ball screw linear actuators



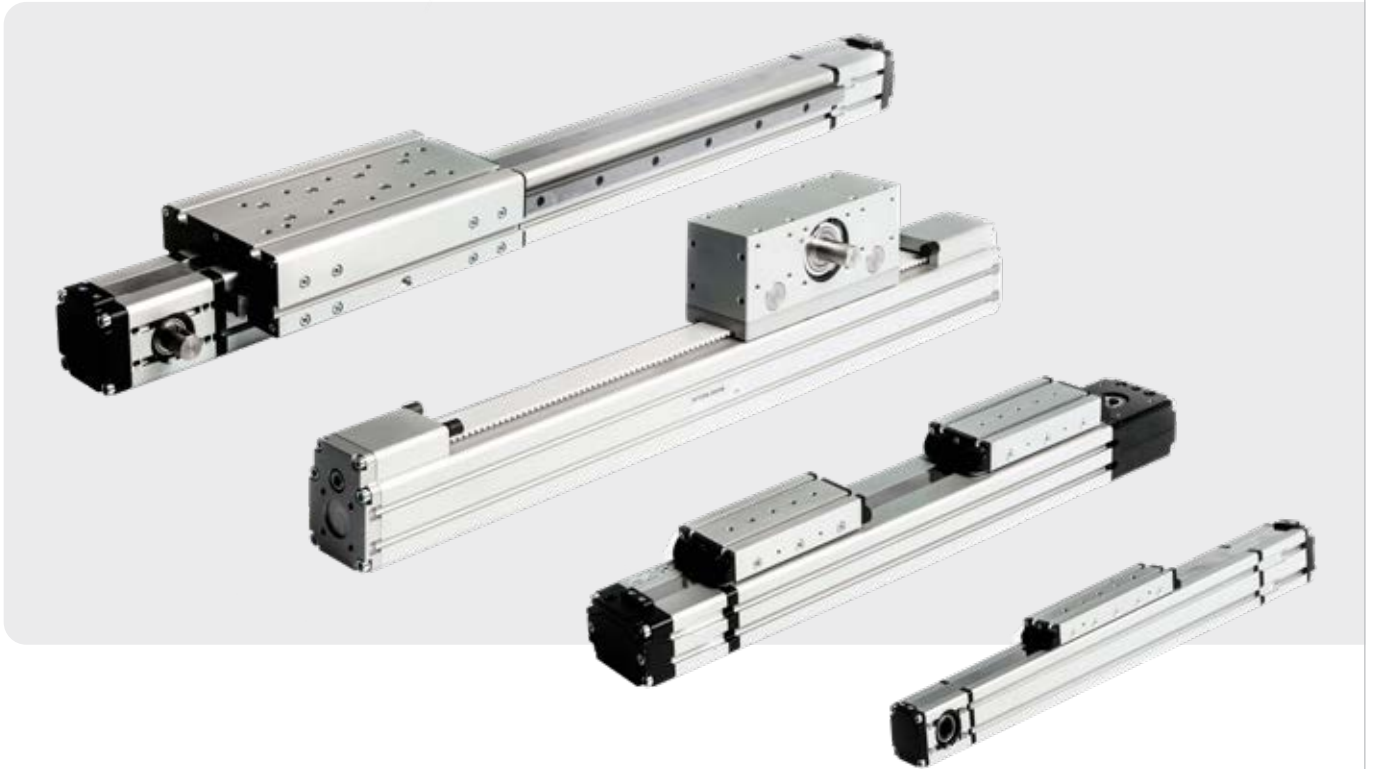
The ball screw linear actuators are available in many series and sizes: they show differ load capabilities and maximum precision and reliability.

Anodized aluminum profile with mounting holes to install sensors along the length of the actuators.

Protection against external contamination is achived thanks to hardened stainless steel strip and sliding elements on the outer carriage. Dual-guide versions are ideal for high load and for high inertia moments applications.

- **Compact linear tables with double parallel guides**
- **Hardened stainless steel strip**
- **Compact linear tables**
- **Available with double external guide**
- **Square-profile actuators with single or double guide**
- **Protective bellows and integrated position sensor**
- **“T” slot for proximity switches**

Toothed belt linear actuators



Linear actuators with steel reinforced polyurethane toothed belt and belt tensioning system are available with one or two ball rail systems. "T" slot as mounting surface and "T" slot for proximity switches.

- Carriage in anodized aluminum with "T" slots
- Square profile with double external guide
- Motor mount assembly available in two different versions
- Actuator with motor mounted to the transmission box for vertical application
- Actuator with single or double carriage and bidirectional movement
- Square profile with single or double guide
- Flat profile
- Integrated tensioning system

Servomotors and drives



- IP65 protection degree available
- Internal setpoint (IPOS) for position control
- Profinet interface connection
- Maximum productivity and energy efficiency
- Overload possibility: up to thrice of the nominal torque
- Integrated braking resistor
- Pulse train positioning (PTI)

Complementary products

Fittings

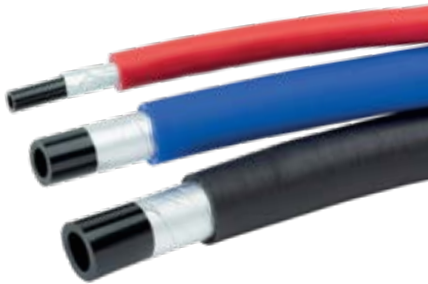


Fully guided
sleeve



Tubes

External layer:
Flame resistant V-0
Middle layer:
Aluminum foil
Inner layer:
Polyurethane



ISO 1552 cylinders



Compact guided cylinders



Special design product



Tubes



Patented



Three-Layer Polyurethane tube

- High flexibility
- Spatter resistant
- Suitable for arc welding and for pneumatic piping in harsh environments
- Available in 3 colours
- Temperature range: -20°C + 70°C

Technical features

Part no.	D x d mm	T mm	P bar	P1 bar	R mm	Weight (kg)	Package mt
FRTTPU0425	4 x 2.5	1	8	36	30	3.85	100
FRTTPU0604	6 x 4	1	8	36	50	7.2	100
FRTTPU0805	8 x 5	1	8	32	60	8.3	100
FRTTPU1065	10 x 6.5	1	8	28	70	11	100
FRTTPU1208	12 x 8	1	8	24	80	13.5	100

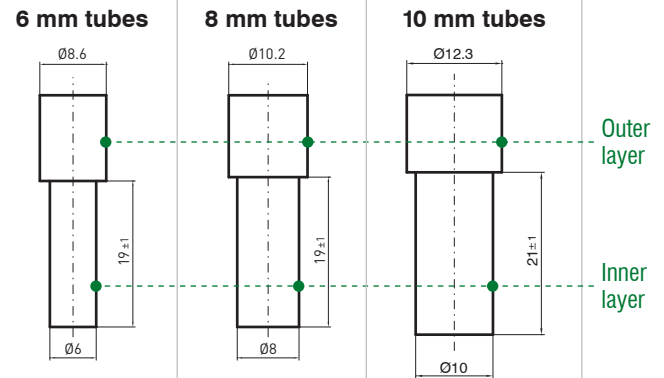
Shore: A 95

D = external diameter
d = internal diameter
P1 = -breaking pressure

T = cover thickness
R = bending radius

To be used with AT-fitting series, to allow a proper protection of the tube from welding sparks.

Cutting specs



To allow a proper installation of the fittings, cut 19 mm out of the outer layer.

Ordering string

Polyurethane tube

FRTTPU 06 04 N

-	VERSION	FRTTPU = 3-layer polyurethane tube
06	OUTER DIA	04 = Ø 4 mm 06 = Ø 6 mm 08 = Ø 8 mm 10 = Ø 10 mm 12 = Ø 12 mm
04	INNER DIA	25 = Ø 2.5 mm 04 = Ø 4 mm 05 = Ø 5 mm 65 = Ø 6.5 mm 08 = Ø 8 mm
N	COLOUR	N = black B = blue R = red

Cutting devices for tubes

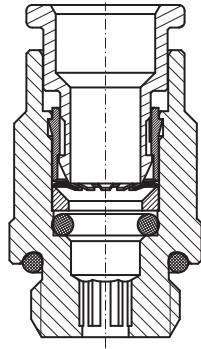
FRC06	CUTTER FOR FRTTPU Ø 6	min. order quantity 5 pieces
FRC08	CUTTER FOR FRTTPU Ø 8	min. order quantity 5 pieces
FRC10	CUTTER FOR FRTTPU Ø 10	min. order quantity 5 pieces
FRC12	CUTTER FOR FRTTPU Ø 12	min. order quantity 5 pieces



Fittings



Patented



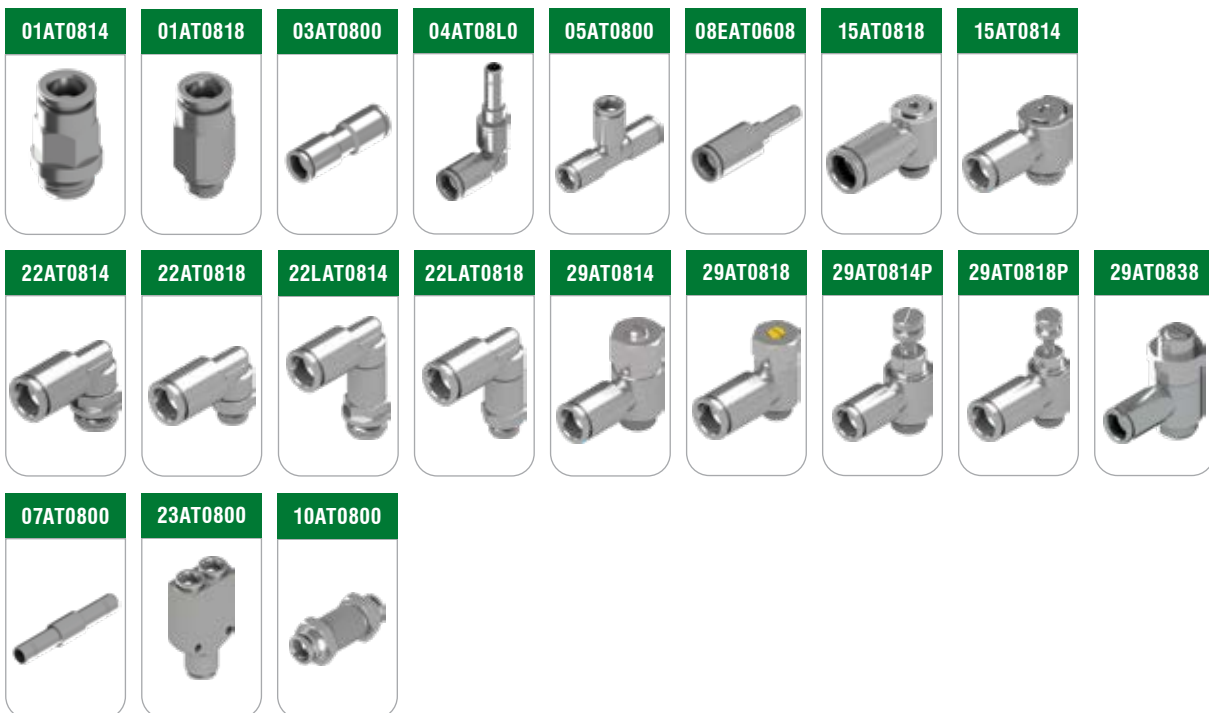
Brass push-in fittings for welding applications

- No covers required spatter-proof
- Prolonged thrust sleeve for optimal protection of the tube against welding debris
- The internal components are optimally guided for an enhanced retaining of the tubes
- Specific for 3-layer polyurethane tube

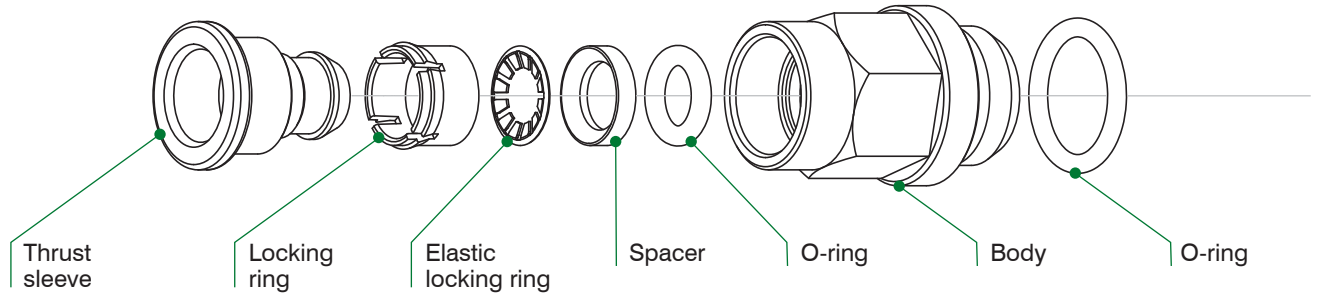
60



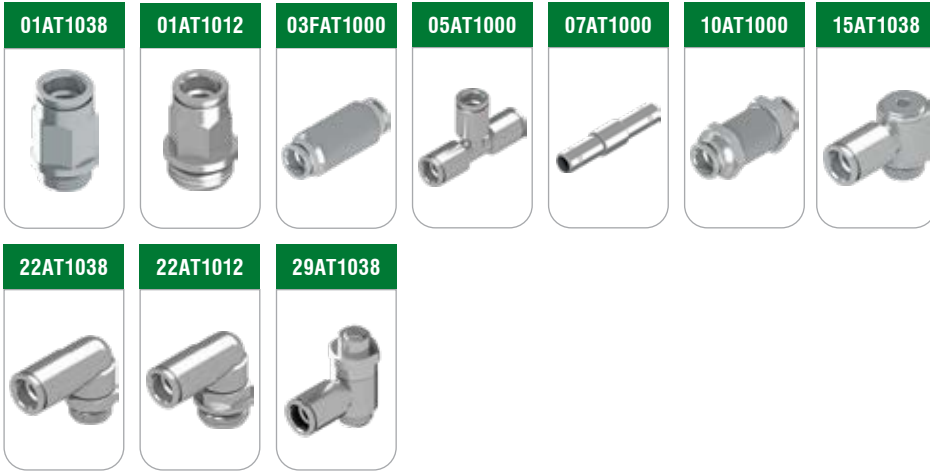
000



COMPLEMENTARY PRODUCTS



Ø 10



Selection of accessories

+



COMPLEMENTARY PRODUCTS

01AT0614

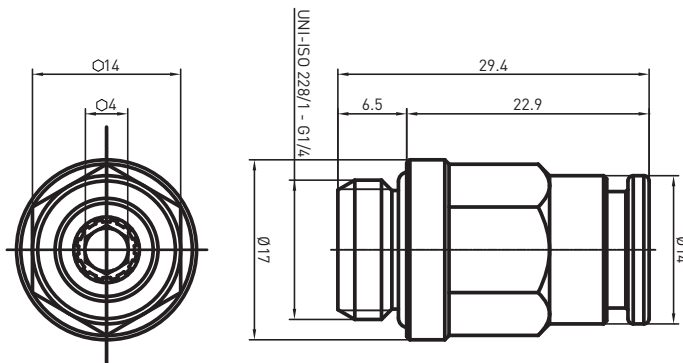
REV. 00 - 12/10/2018



Straight fitting

Ø6 G1/4"

AT Series with NBR seals



01AT0618

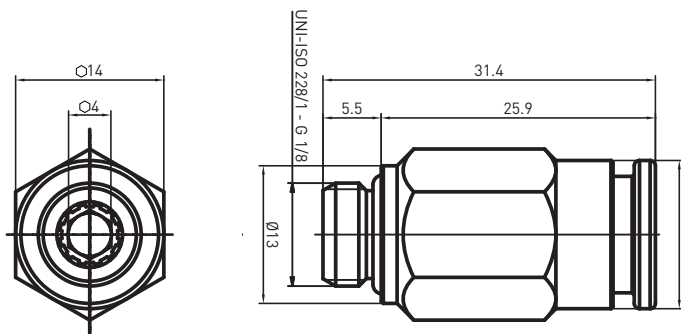
REV. 00 - 12/10/2018



Straight fitting

Ø6 G1/8"

AT Series with NBR seals



03AT0600

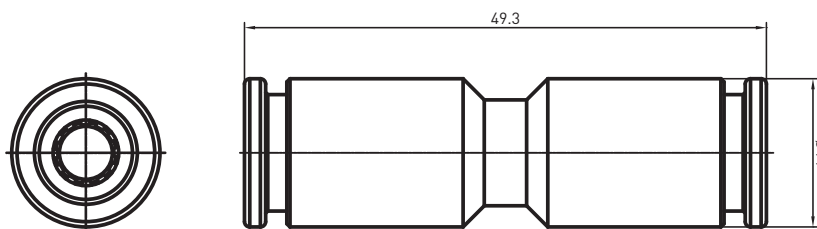
REV. 00 - 15/10/2018



Straight connector

Ø6

AT Series with NBR seals



04AT06L0

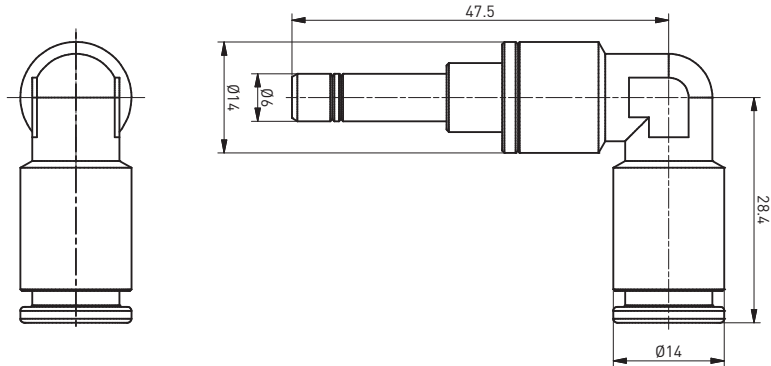
REV. 00 - 15/10/2018



Elbow connector

Ø6

AT Series with NBR seals



05AT0600

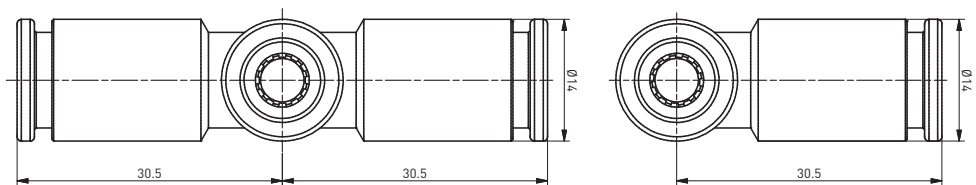
REV. 00 - 29/11/2018



T connector

Ø6

AT Series with NBR seals



08AT0806

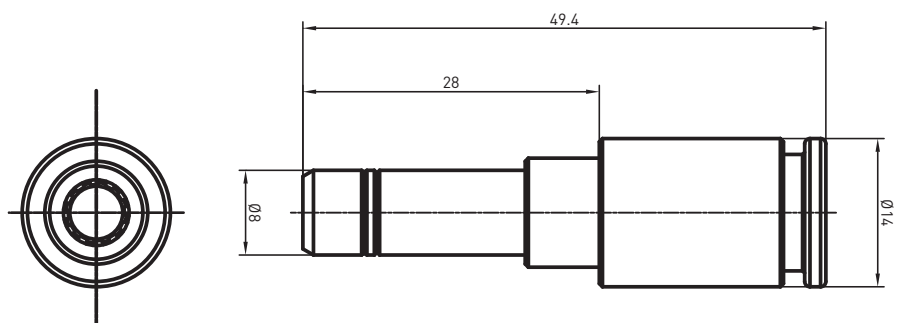
REV. 00 - 27/09/2018



Plug-in reducer

Ø8M Ø6F

AT Series with NBR seals



15AT0618

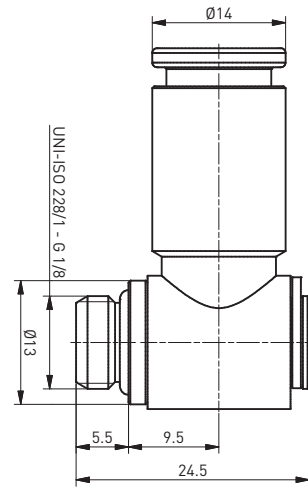
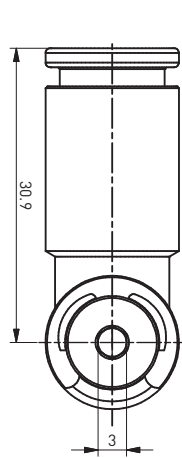
REV. 00 - 15/10/2018



Complete single banjo

Ø6 - G1/8"

AT Series with NBR seals



15AT0614

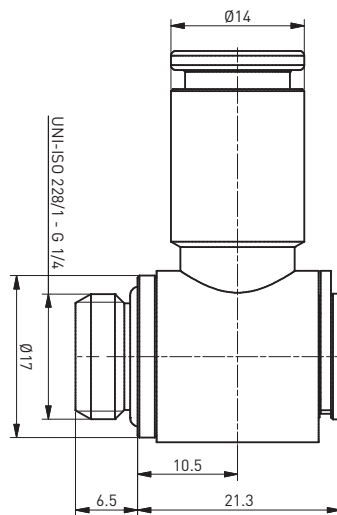
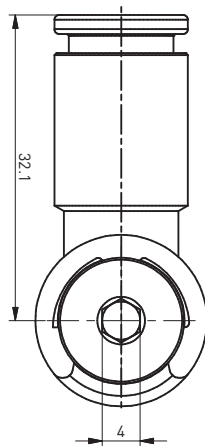
REV. 00 - 15/10/2018



Complete single banjo

Ø6 - G1/4"

AT Series with NBR seals



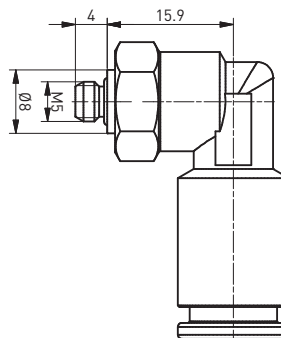
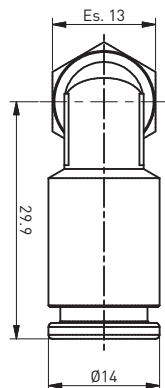
22AT06M5

REV. 00 - 29/11/2018



**Swivel elbow male
adaptor parallel**

Ø6 - M5



22AT0614

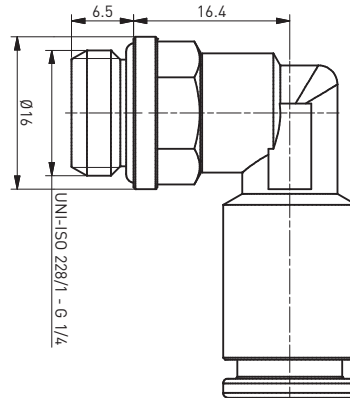
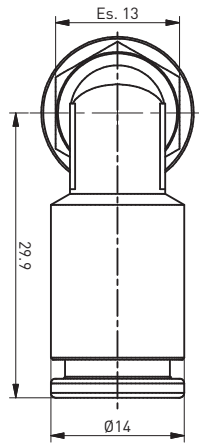
REV. 00 - 15/10/2018



**Swivel elbow male
adaptor parallel**

Ø6 - G1/4"

AT Series with NBR seals



22AT0618

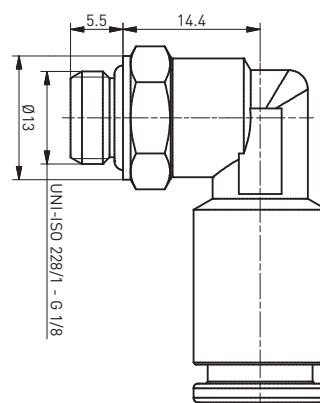
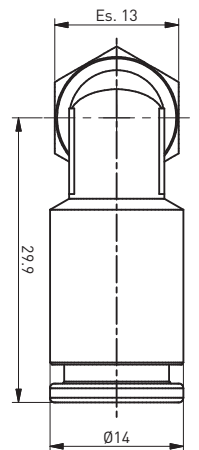
REV. 00 - 15/10/2018



**Swivel elbow male
adaptor parallel**

Ø6 - G1/8"

AT Series with NBR seals



22LAT0614

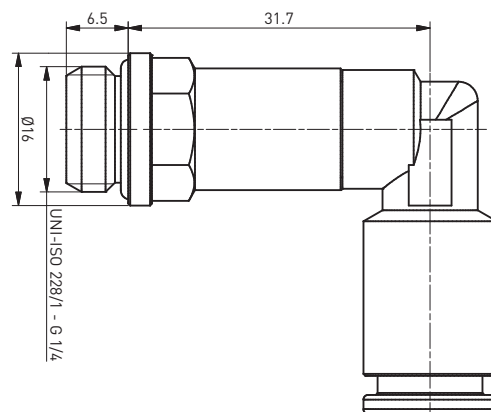
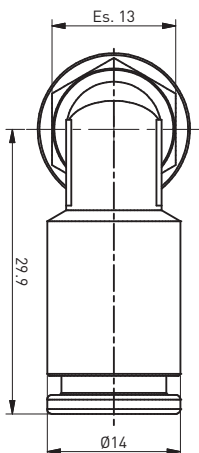
REV. 00 - 27/09/2018



**Swivel longer elbow
male adaptor parallel**

Ø6 - G1/4"

AT Series with NBR seals



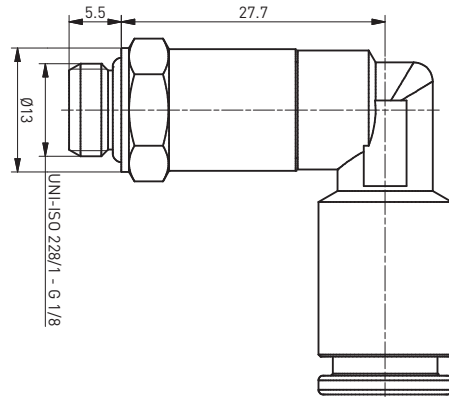
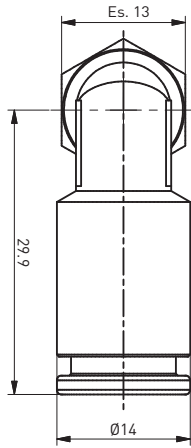
22LAT0618



**Swivel longer elbow
male adaptor parallel**

Ø6 - G1/8"

AT Series with NBR seals



REV. 00 - 15/10/2018

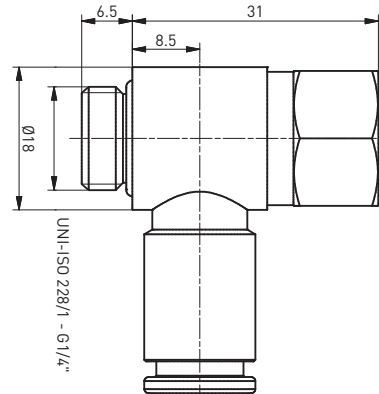
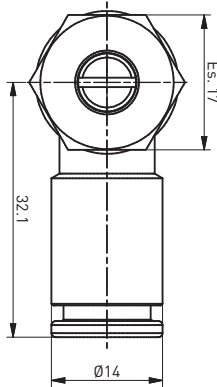
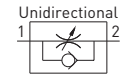
29AT0614



Flow adjuster

Ø6 - G1/4"

AT Series with NBR seals



REV. 00 - 29/08/2018

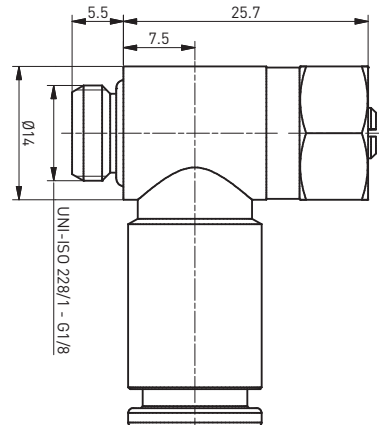
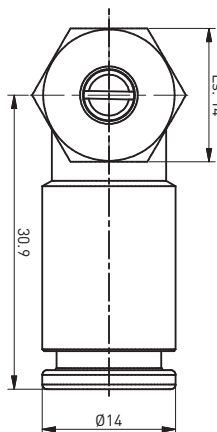
29AT0618



Flow adjuster

Ø6 - G1/8"

AT Series with NBR seals



REV. 00 - 29/08/2018

29AT0614P

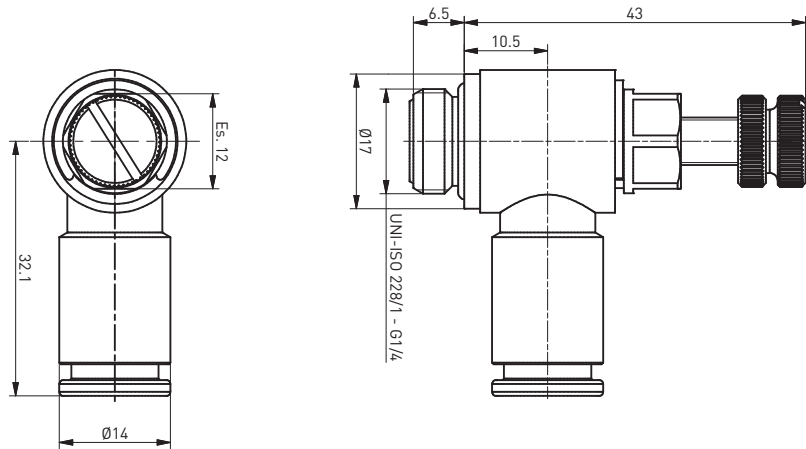
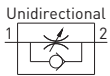
REV. 00 - 11/10/2018



Flow adjuster

Ø6 - G1/4"

AT Series with NBR seals



29AT0618P

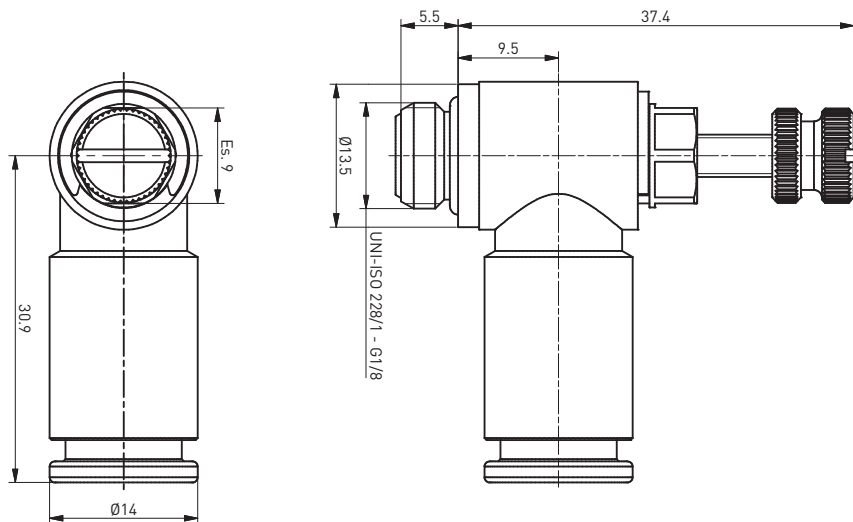
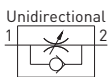
REV. 00 - 11/10/2018



**Swivel elbow male
adaptor parallel**

Ø6 - G1/8"

AT Series with NBR seals



07AT0600

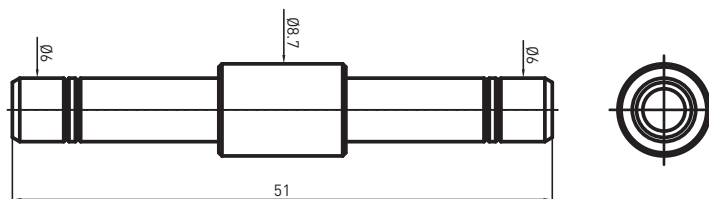
REV. 00 - 11/09/2018



Connector

Ø6

AT Series



23AT0600

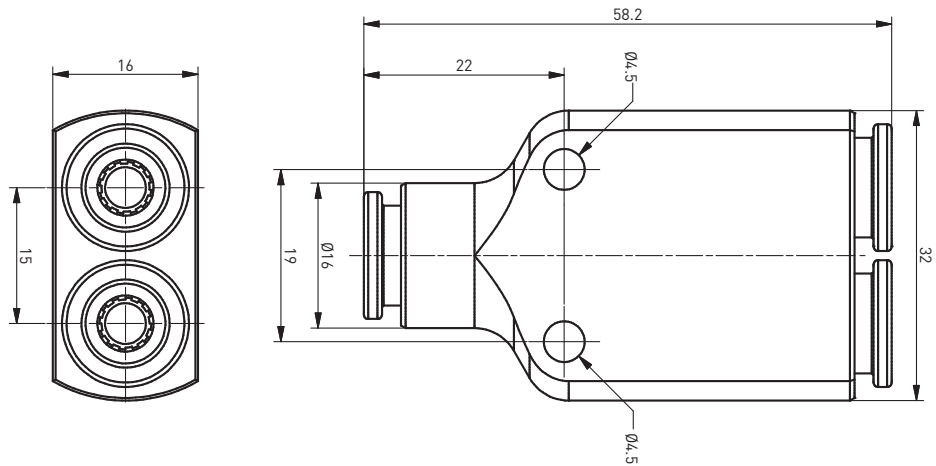
REV. 00 - 06/03/2019



Y Connector

Ø6

AT Series



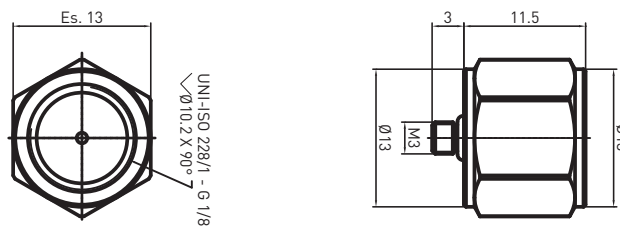
105ATM318

REV. 00 - 28/03/2018



Adaptator

M3 - 1/8"



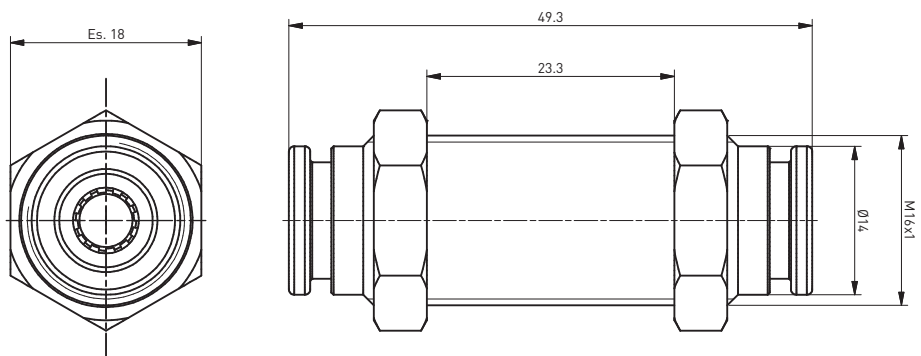
10AT0600

REV. 00 - 22/05/2019



**Straight threaded
connector**

Ø6 - M16x1



01AT0814

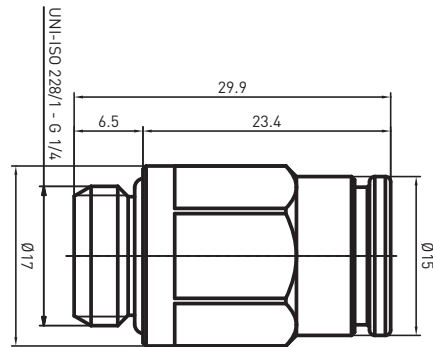
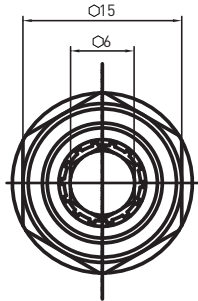
REV. 00 - 08/03/2018



Straight fitting

Ø8 G1/4"

AT Series with NBR seals



01AT0818

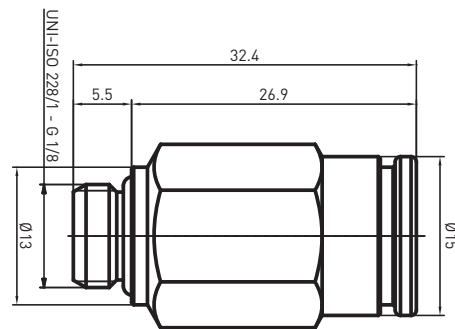
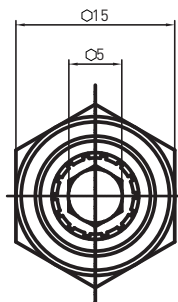
REV. 00 - 29/08/2018



Straight fitting

Ø8 G1/8"

AT Series with NBR seals



03AT0800

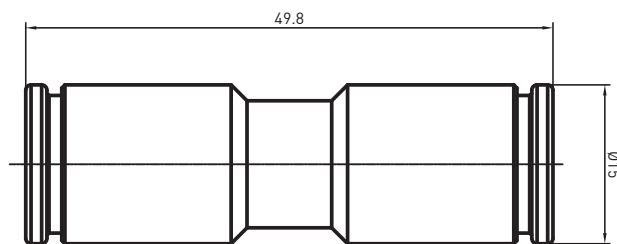
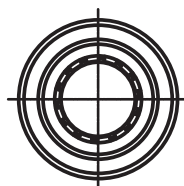
REV. 00 - 03/09/2018



Straight connector

Ø8

AT Series with NBR seals



04AT08L0

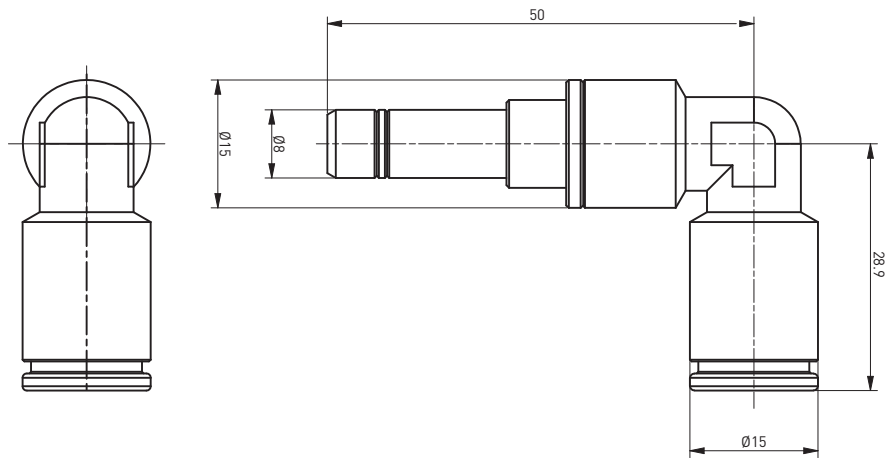
REV. 00 - 14/10/2018



Elbow connector

Ø8

AT Series with NBR seals



05AT0800

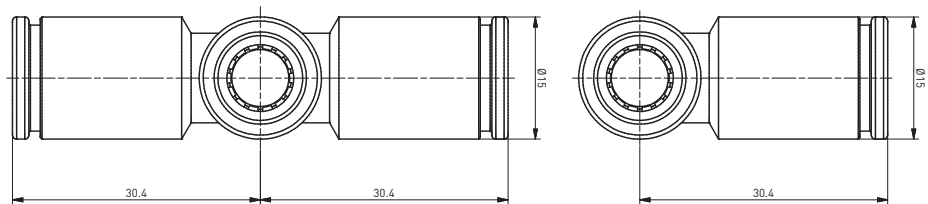
REV. 00 - 03/12/2018



T connector

Ø8

AT Series with NBR seals



08EAT0608

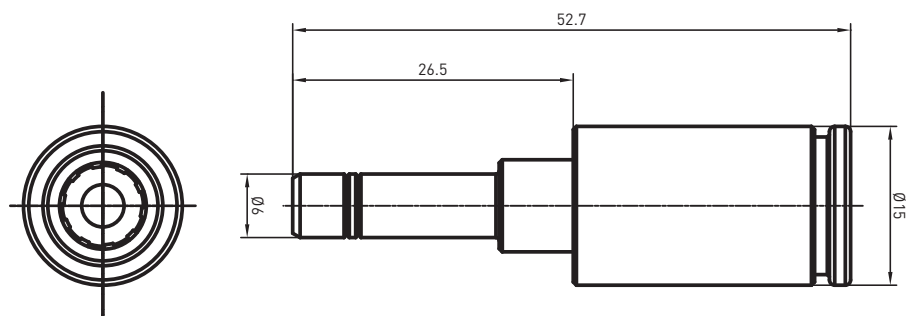
REV. 00 - 22/05/2019



Plug-in increaser

Ø6M Ø8F

AT Series with NBR seals

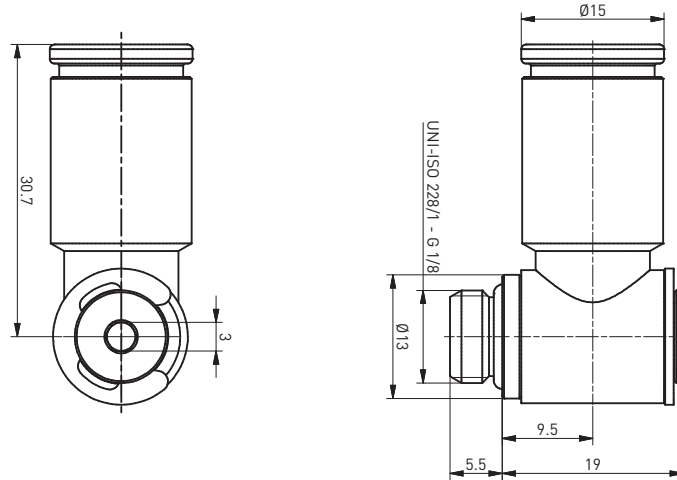


15AT0818

REV. 00 - 30/08/2018



Complete single banjo
Ø8 - G1/8"
AT Series with NBR seals

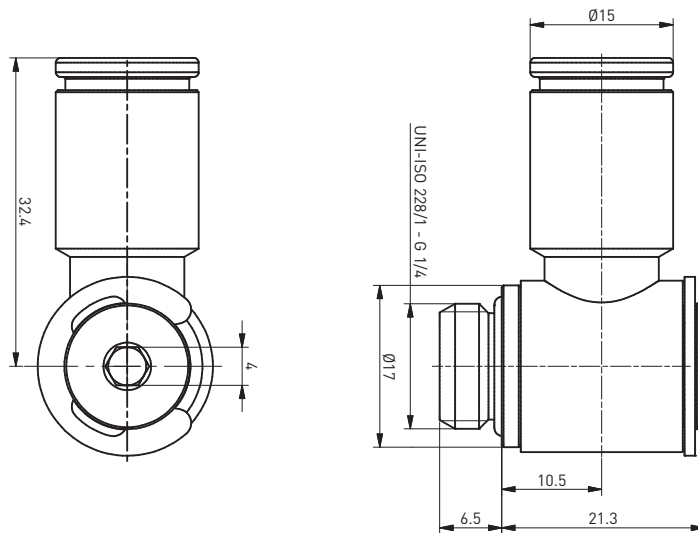


15AT0814

REV. 00 - 30/08/2018



Complete single banjo
Ø8 - G1/4"
AT Series with NBR seals

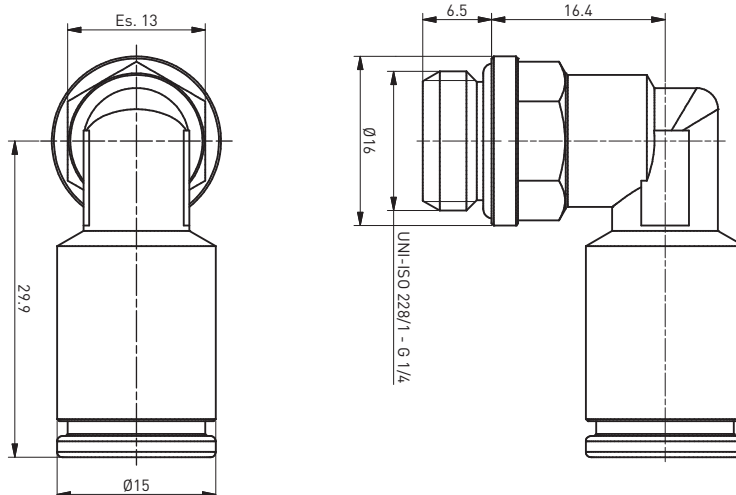


22AT0814

REV. 00 - 03/12/2018



**Swivel elbow male
adaptor parallel**
Ø8 - G1/4"
AT Series with NBR seals



22AT0818

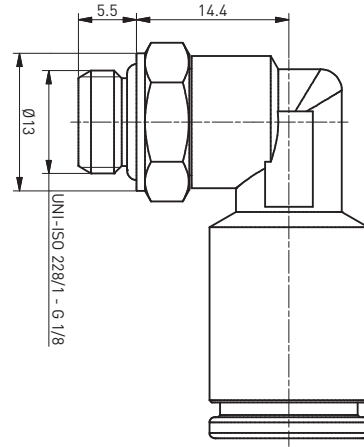
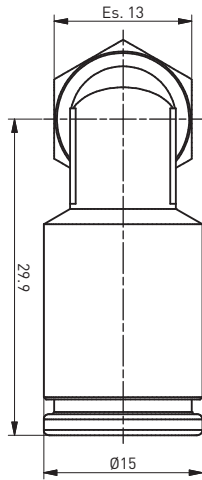
REV. 00 - 03/12/2018



**Swivel elbow male
adaptor parallel**

Ø8 - G1/8"

AT Series with NBR seals



22LAT0814

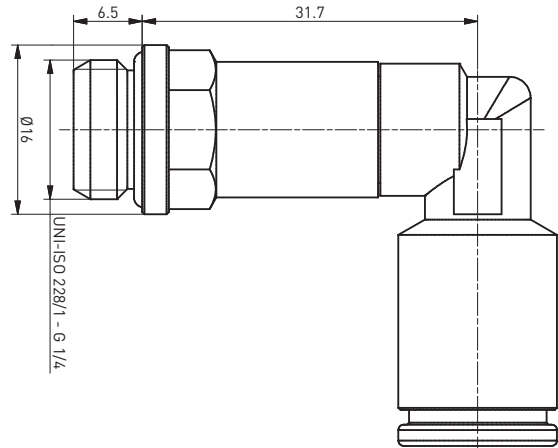
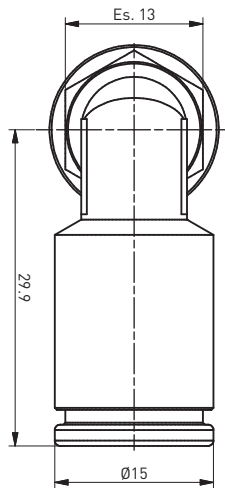
REV. 00 - 30/08/2018



**Swivel longer elbow
male adaptor parallel**

Ø8 - G1/4"

AT Series with NBR seals



22LAT0818

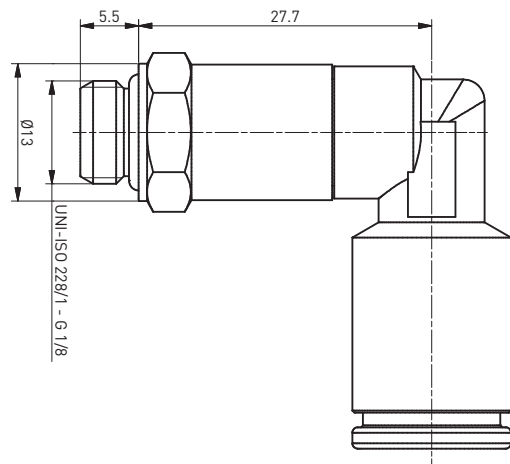
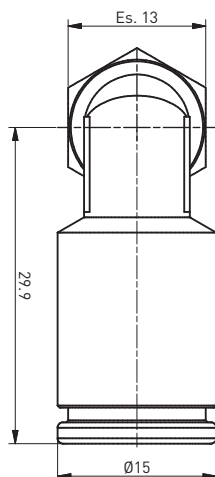
REV. 00 - 30/08/2018



**Swivel longer elbow
male adaptor parallel**

Ø8 - G1/8"

AT Series with NBR seals



29AT0814

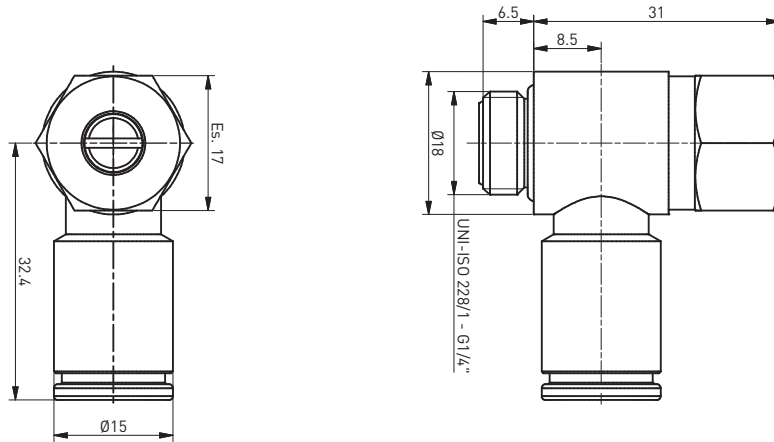
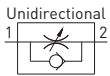
REV. 00 - 29/08/2018



Flow adjuster

Ø8 - G1/4"

AT Series with NBR seals



29AT0818

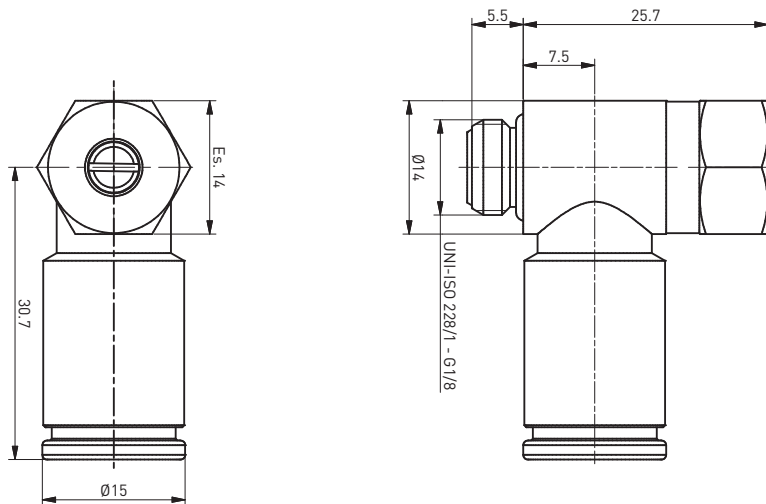
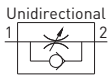
REV. 00 - 30/08/2018



Flow adjuster

Ø8 - G1/8"

AT Series with NBR seals



29AT0814P

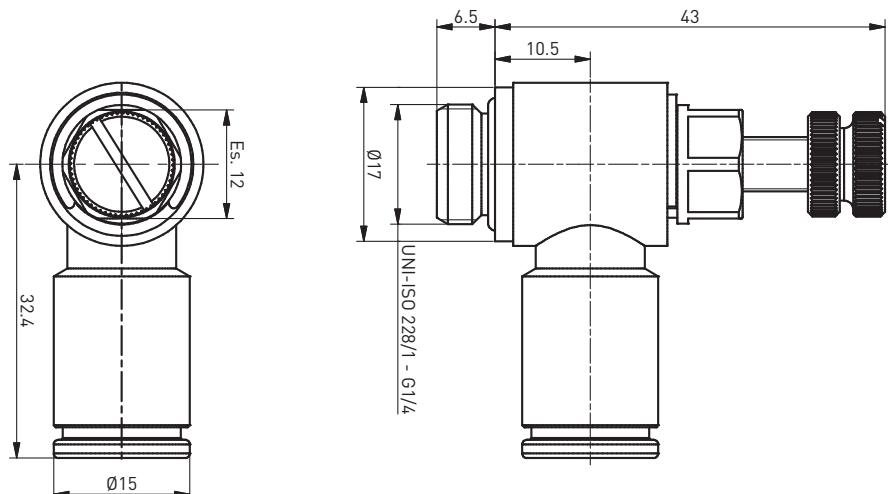
REV. 00 - 11/10/2018



Flow adjuster

Ø8 - G1/4"

AT Series with NBR seals



29AT0818P

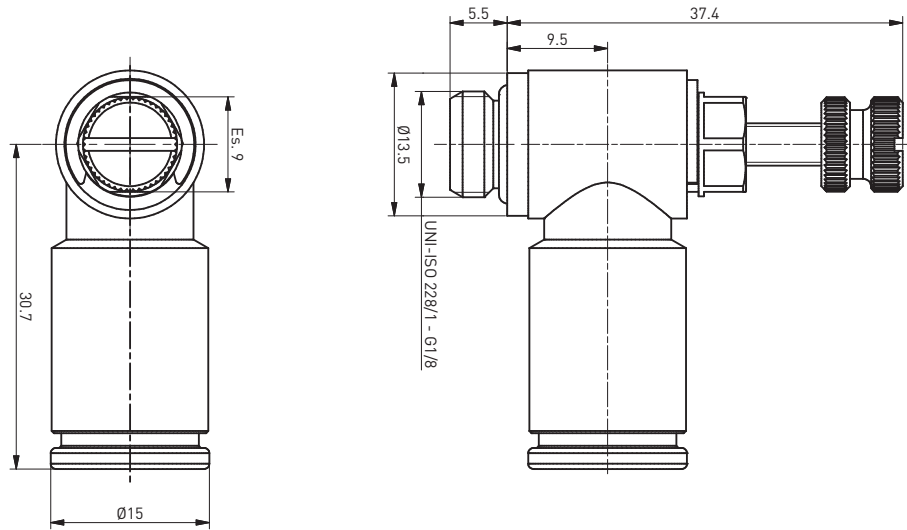
REV. 00 - 11/10/2018



Flow adjuster

8 - G1/8"

AT Series with NBR seals



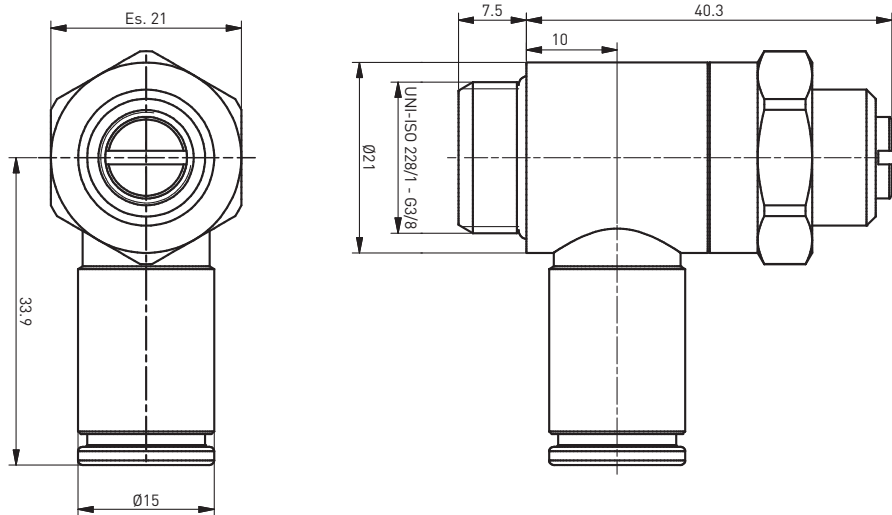
29AT0838

REV. 00 - 04/06/2019



Flow adjuster

Ø8 - G3/8



07AT0800

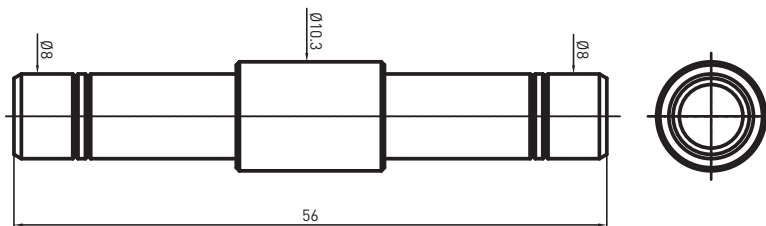
REV. 00 - 11/09/2018



Connector

Ø8

AT Series



23AT0800

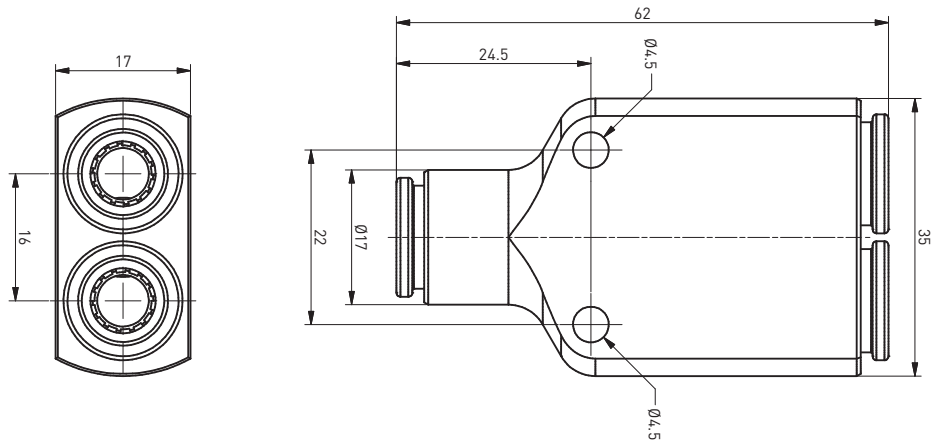
REV. 00 - 06/03/2019



Y Connector

Ø8

AT Series



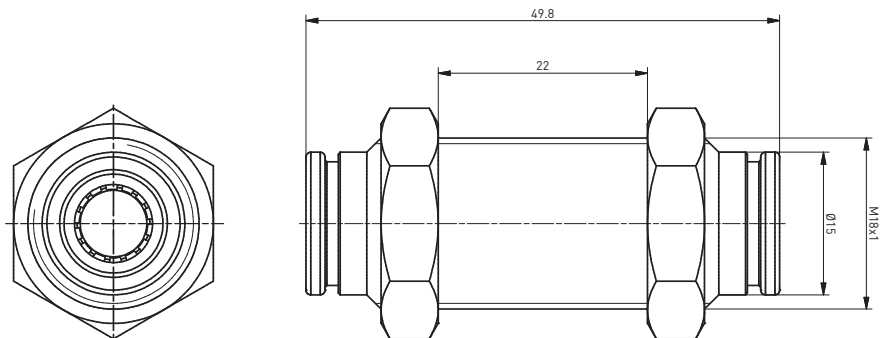
10AT0800

REV. 00 - 22/05/2019



**Straight threaded
connector**

Ø8 - M18x1



01AT1038

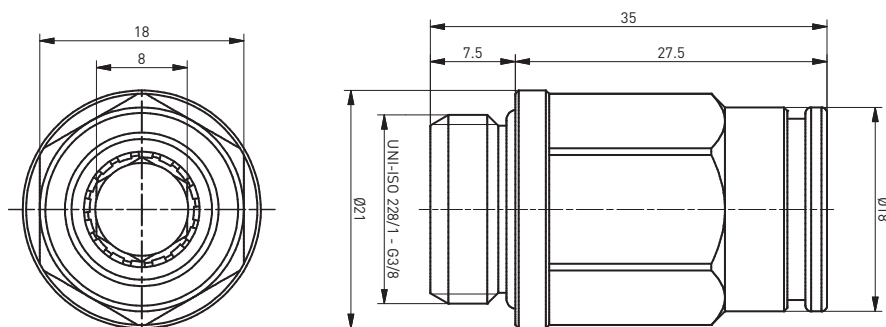
REV. 00 - 28/05/2019



Straight fitting

Ø10 G3/8"

AT Series with NBR seals



01AT1012

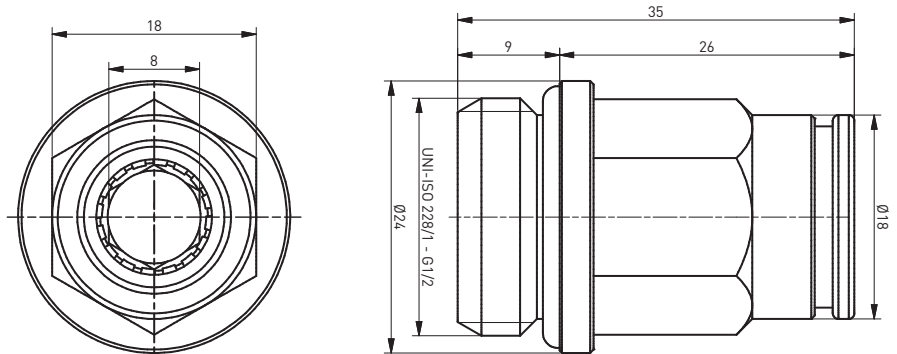
REV. 00 - 28/05/2019



Straight fitting

Ø10 G1/2"

AT Series with NBR seals



03FAT1000

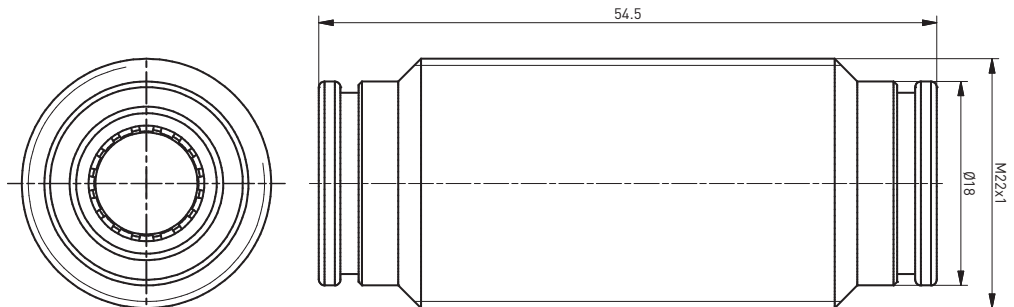
REV. 00 - 27/05/2019



**Straight threaded
connector**

Ø10

AT Series with NBR seals



05AT1000

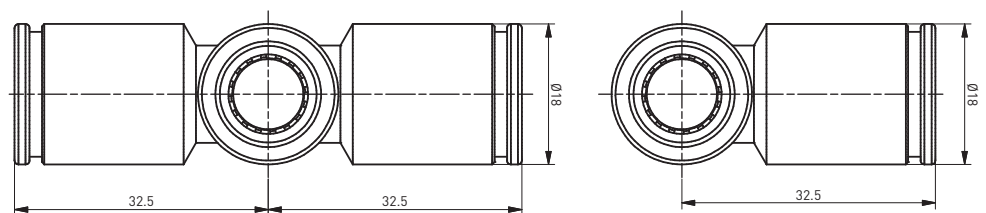
REV. 00 - 28/05/2019



T connector

Ø10

AT Series with NBR seals



07AT1000

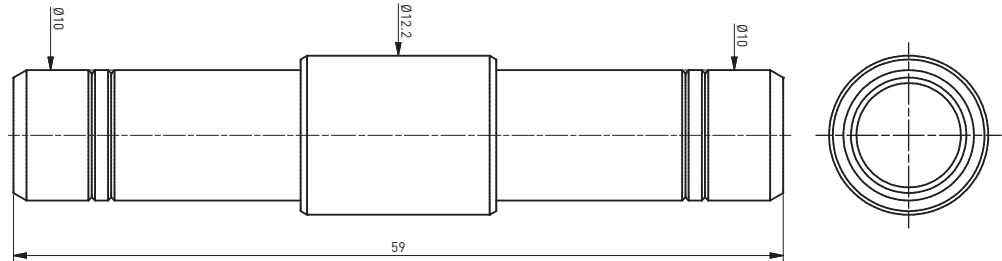
REV. 00 - 28/05/2019



Connector

Ø10

AT Series



10AT1000

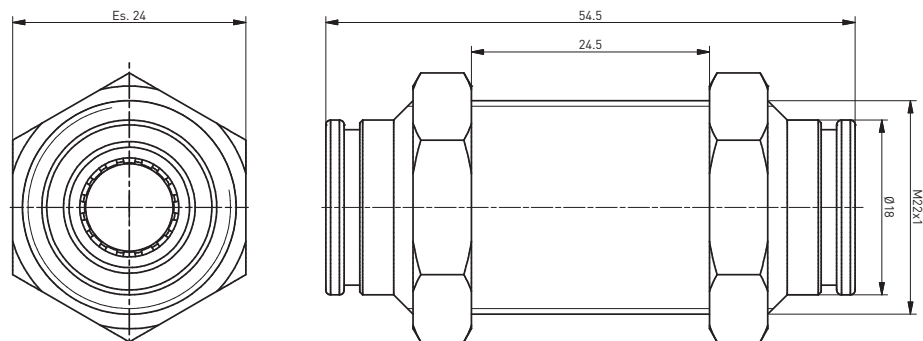
REV. 00 - 27/05/2019



Bulkhead connector

Ø10

AT Series with NBR seals



15AT1038

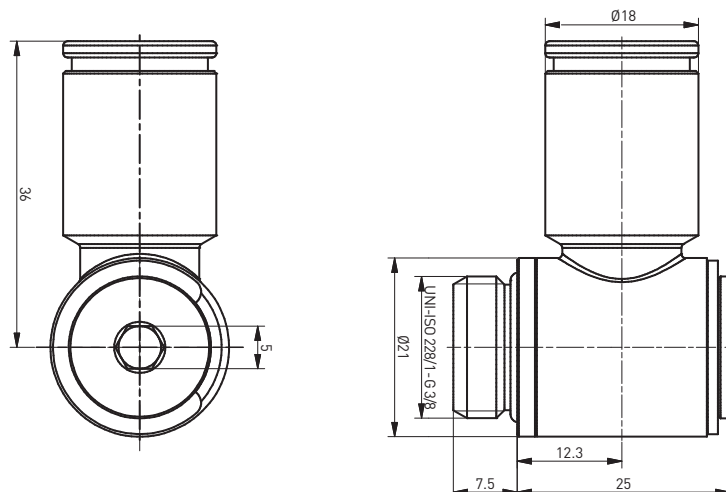
REV. 00 - 30/08/2018



Complete single banjo

Ø10 - G3/8"

AT Series with NBR seals



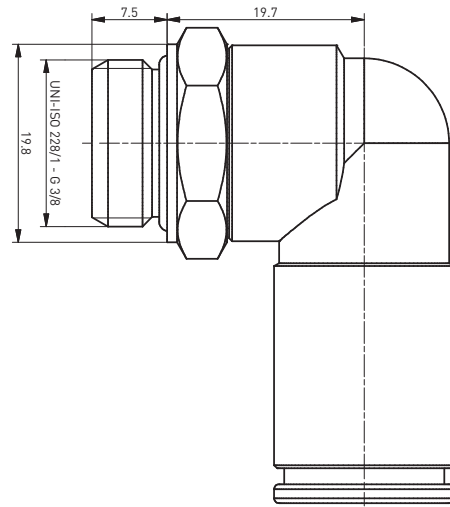
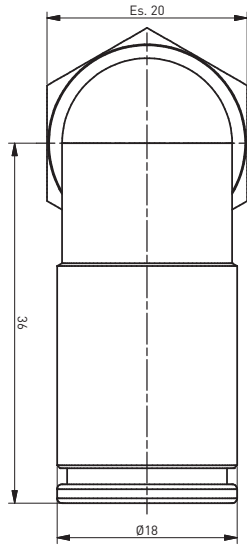
22AT1038



**Swivel elbow male
adaptor parallel**

Ø10 - G3/8"

AT Series with NBR seals



REV. 00 - 04/06/2019

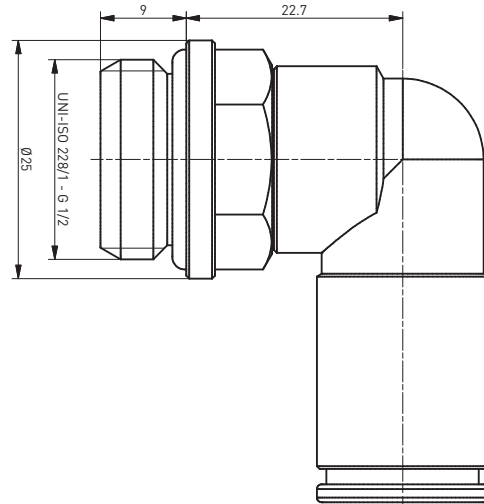
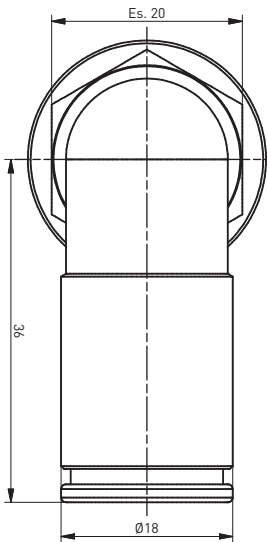
22AT1012



**Swivel elbow male
adaptor parallel**

Ø10 - G1/2"

AT Series with NBR seals



REV. 00 - 04/06/2019

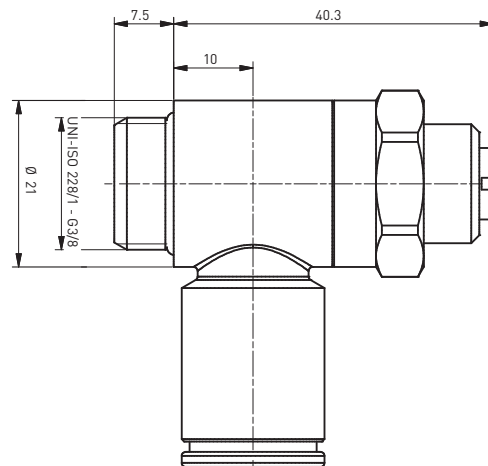
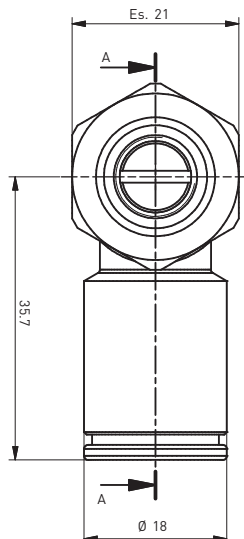
29AT1038



Flow adjuster

Ø10 - G3/8"

AT Series with NBR seals



REV. 00 - 04/06/2019



AT50C18V

Connection C 06 = Ring AT Ø6 08 = Ring AT Ø8 **Version V** U = Unidirectional B = Bidirectional

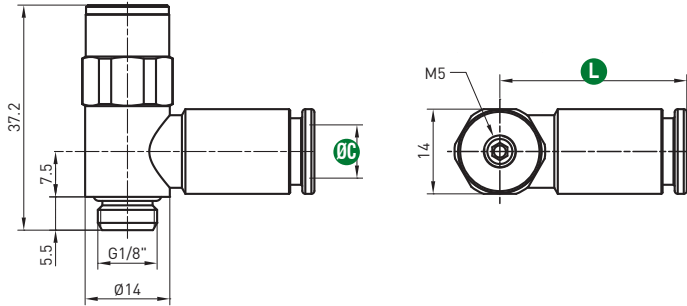
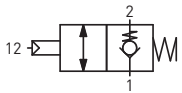


Part. No.	ØC	L
AT500618U AT500618B	6	31
AT500818U AT500818B	8	31

REV. 00 - 20/09/2019

Blocking valve

1/8"



AT50C18PVM

Connection C 06 = Ring AT Ø6 08 = Ring AT Ø8
Pilot P 06 = Ring AT Ø6 08 = Ring AT Ø8 **Version V** U = Unidirectional B = Bidirectional

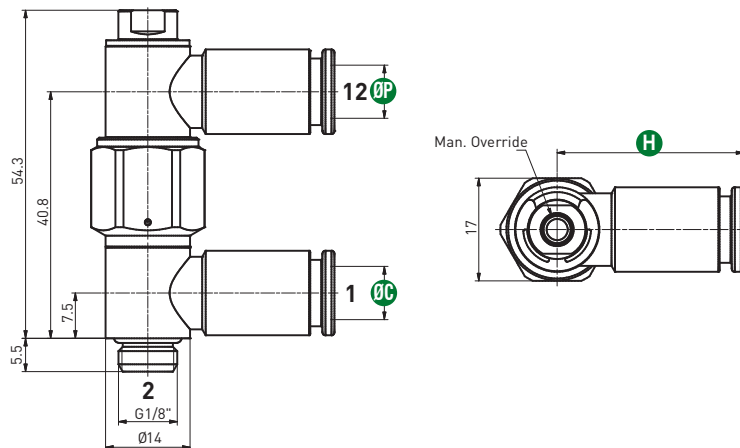
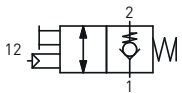


Part. No.	ØC	ØP	H
AT50061806UM AT50061806BM	6		30.9
AT50081808UM AT50081808BM	8		30.7

REV. 00 - 20/09/2019

**Blocking valve
with manual override
and swivel pilot**

1/8"



AT50C14V

Connection C 06 = Ring AT Ø6 08 = Ring AT Ø8 **Version V** U = Unidirectional B = Bidirectional

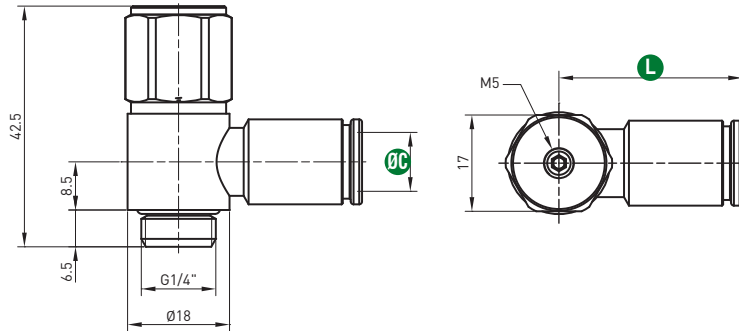
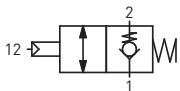


Part. No.	ØC	H
AT500614U AT500614B	6	20
AT500814U AT500814B	8	30.9

REV. 00 - 20/09/2019

Blocking valve

1/4"



AT50C14PVM

Connection C 06 = Ring AT Ø6 08 = Ring AT Ø8

Pilot P 06 = Ring AT Ø6 08 = Ring AT Ø8 **Version V** U = Unidirectional B = Bidirectional

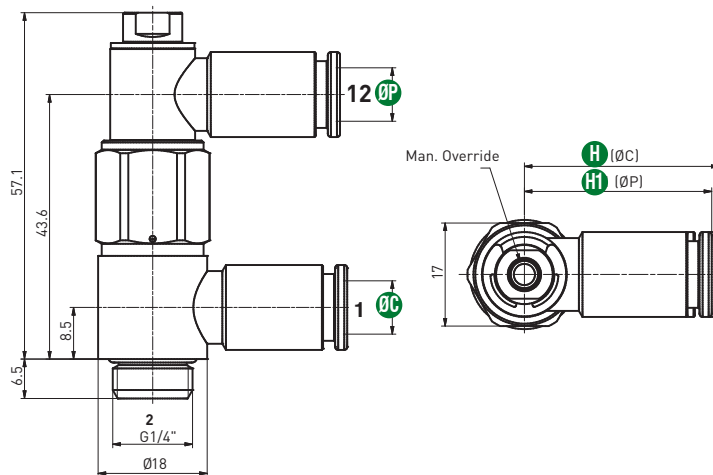
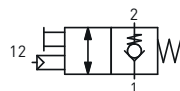


Part. No.	ØP	H	ØC	H1
AT50061406UM AT50061406BM	6	30.9	6	32.1
AT50081408UM AT50081408BM	8	30.7	8	32.4

REV. 00 - 20/09/2019

**Blocking valve
with manual override
and swivel pilot**

1/4"





AT50C38V

Connection **C** 08 = Ring AT Ø8 10 = Ring AT Ø10 Version **V** U = Unidirectional B = Bidirectional

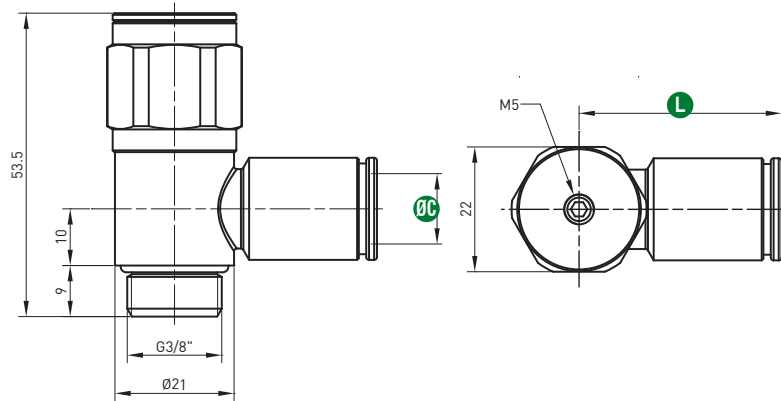
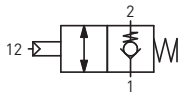


Part. No.	ØC	L
AT500838U AT500838B	8	34
AT501038U AT501038B	10	36

REV. 00 - 20/09/2019

Blocking valve

3/8"



AT50C38PVM

Connection **C** 08 = Ring AT Ø8 10 = Ring AT Ø10
Pilot **P** 06 = Ring AT Ø6 08 = Ring AT Ø8 Version **V** U = Unidirectional B = Bidirectional

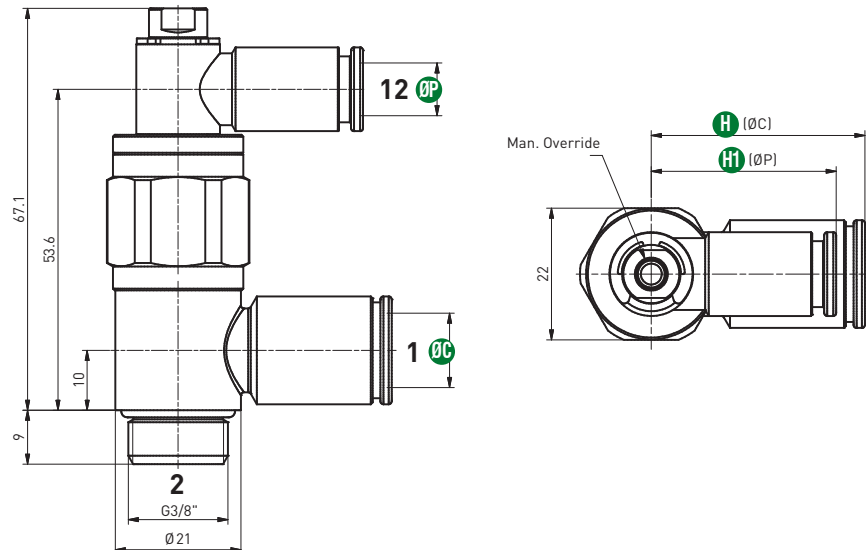
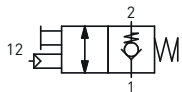


Part. No.	ØP	H	ØC	H1
AT50083806UM AT50083806BM	6	30.9	8	33.9
AT50103808UM AT50103808BM	8	30.7	10	35.7

REV. 00 - 20/09/2019

Blocking valve with manual override and swivel pilot

3/8"

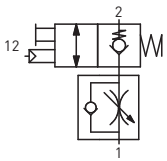


PNM0392

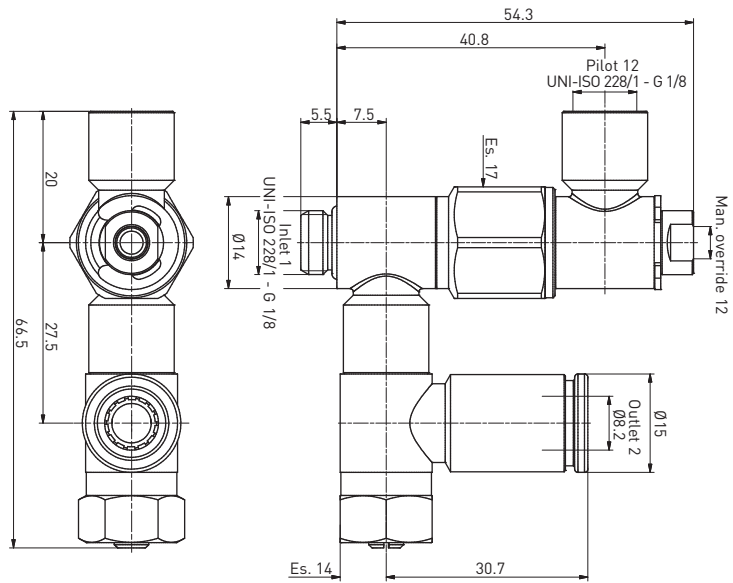


Blocking valve with manual, flow adjuster and swivel pilot for Ø8 tubes

G1/8"



REV. 00 - 22/10/2018

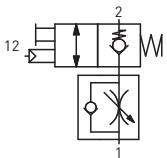


PNM0393

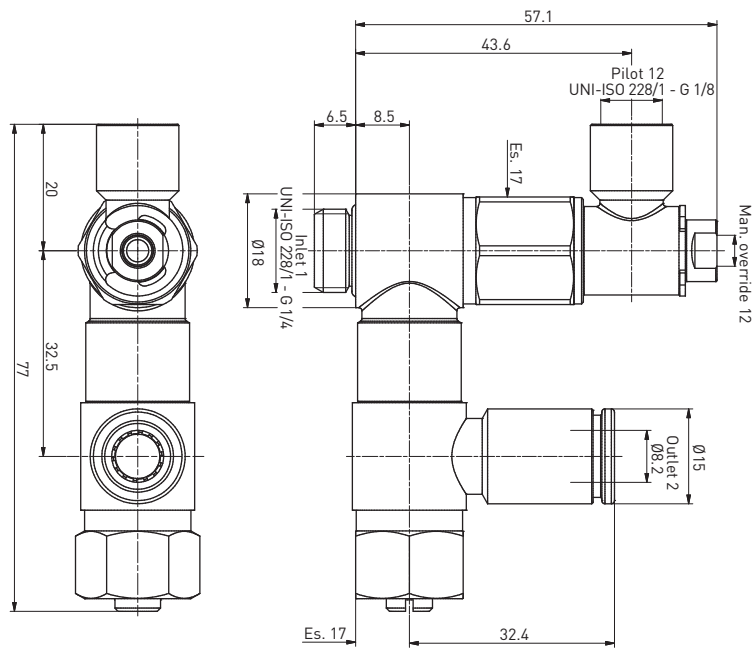


Blocking valve with manual, flow adjuster and swivel pilot for Ø8 tubes

G1/4"



REV. 00 - 22/10/2018



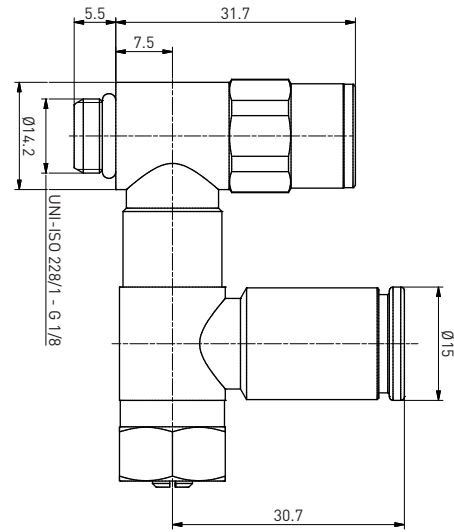
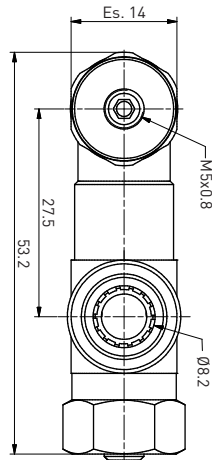
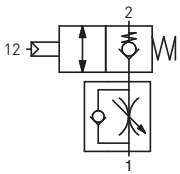
PNM0394

REV. 00 - 22/10/2018



Blocking valve and flow adjuster for Ø8 tubes

G1/8"



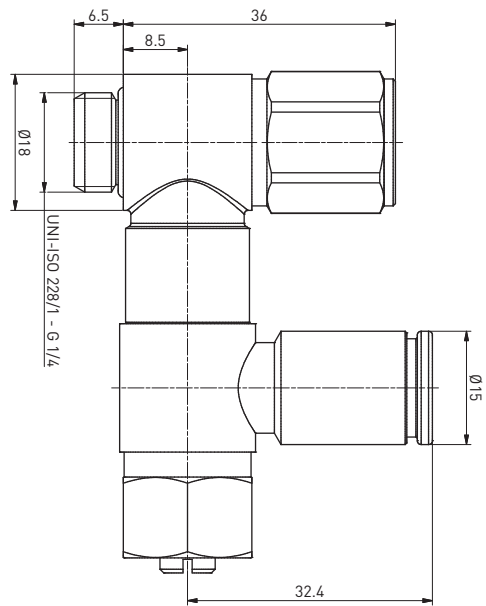
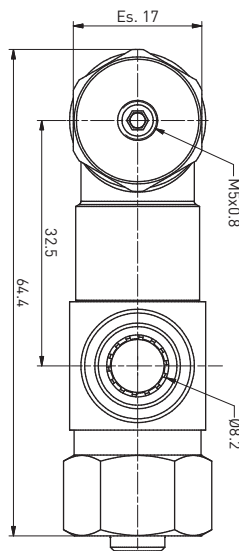
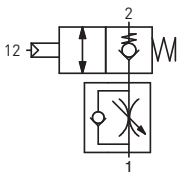
PNM0395

REV. 00 - 22/10/2018



Blocking valve and flow adjuster for Ø8 tubes

G1/4"



1390-Series



Ecolight cylinders according to ISO 15552 standard with integrated metal rodscraper

Permanent protection of the piston rod against welding debris particles: the metallic wiper constantly wipes any welding deposits off the piston rod.

The seal is made of a special FKM-based elastomer with approx. 81 shore hardness.

Technical features

Fluid	Filtered and preferably lubricated air (if lubricated the lubrication must be continuous)
Max. pressure	10 bar

Product features

End plates	Die-casting aluminum
Rod	C43 chromed steel
Barrel	Anodised aluminum alloy
Rod-guide bushing	Spheroid bronze on steel band with P.T.F.E. coat
Seals	Standard: NBR oil resistant rubber, PUR piston rod seals (PUR seals available upon request)
Cushion adjusting screws	Brass

Ecolight cylinders

	32	40	50	63	80	100	125	160	200	
Bore	32	40	50	63	80	100	125	160	200	
AM	22	24	32	32	40	40	54	72	72	
B (d11)	30	35	40	45	45	55	60	65	75	
BG	16	16	18	18	16	16	21	25	25	
E	47	54	65	76	95	113	138	180	216	
EE	G1/8"	G1/4"	G1/4"	G3/8"	G3/8"	G1/2"	G1/2"	G3/4"	G3/4"	
G	29.5	33	32	36	38.5	41.5	48	49	49	
KK	M10x1.25	M12x1.25	M16x1.5	M16x1.5	M20x1.5	M20x1.5	M27x2	M36x2	M36x2	
KV	17	19	24	24	30	30	41	55	55	
KW	6	7	8	8	9	9	12	18	18	
L2	19	22	29	29	35	36	45	50	60	
L3	4	4	5	5	/	/	/	/	/	
L8	94	105	106	121	128	138	160	180	180	
MM	12	16	20	20	25	25	32	40	40	
PL	13	16	18	18	16	18	25	26	25	
PM	3	4	5	4.5	2.5	6	8	11	11	
RT	M6	M6	M8	M8	M10	M10	M12	M16	M16	
SW	10	13	17	17	22	22	27	36	36	
TG	32.5	38	46.5	56.5	72	89	110	140	175	
VA	4	4	4	4	4	4	6	6	6	
VB	33	41	51	51	65	71	75	70	75	
VD	4	4	4	4	4	4	6	6	6	
VF	12	12	16	16	20	20	25	30	30	
VG	48	54	69	69	86	91	119	152	167	
WH	26	30	37	37	46	51	65	80	95	
Weight (g)	Stroke 0	460	650	1,030	1,360	2,180	2,890	5,700	11,200	14,900
	every 10 mm	23	32	45	49	75	81	130	195	245

Ordering string

1390-Series

1390

050

0400

01R

1390

VERSION

050

SIZE

32 = Ø 32 mm
40 = Ø 40 mm
50 = Ø 50 mm
63 = Ø 63 mm
80 = Ø 80 mm

0400

STROKE

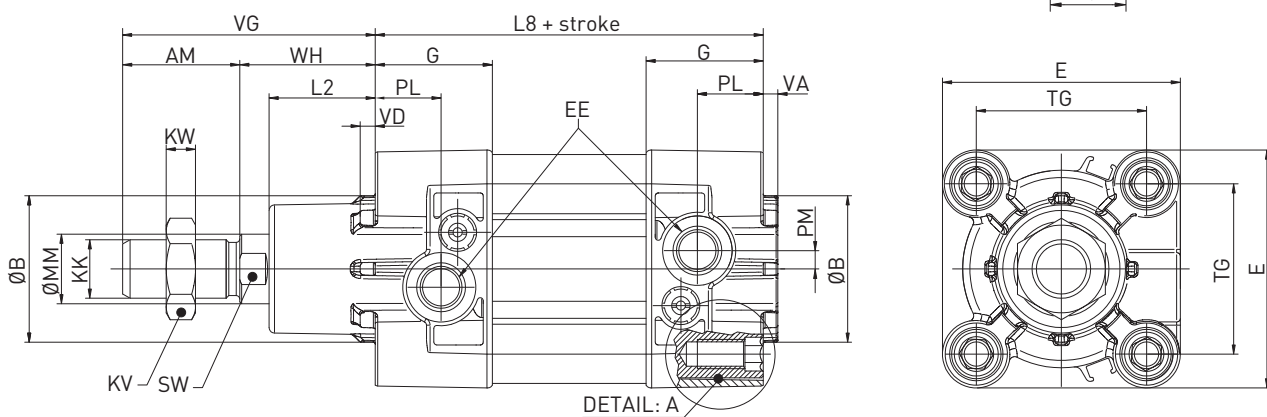
From 0 to 150 mm = every 25 mm
From 150 to 500 mm = every 50 mm
From 500 to 1000 mm = every 100 mm

01R

SPECIFICATION

01R = chromed rod; with metal rodscraper

1390 / Ecolight cylinders



DETAIL: A
Ø32÷Ø63

* DIMENSIONAL TOLERANCE
FOR DOWEL HOLES: ±0.02

DIMENSIONAL TOLERANCE
FOR THREADED HOLES: ±0.1

REV. 00 - 03/04/2015

6110-Series

Guided compact cylinder with additional metal rod scrapers



The rod guide is equipped with bearing bushings and guarantees **high precision and high loads**.

Technical characteristics

Function	double acting
Fluid	filtered air, if lubricated, the lubrication must be continuous
Working pressure	max. 10 bar
Working temperature	-5°C - +70°C
Cushioning	elastic bumper on both ends

Construction characteristics

Body	anodised aluminium
Guide rods	tempered and chromed steel
Piston	aluminium
Piston rod	C43 chromed steel
Rods bushing	bearing bushing
End plate	anodised aluminium
Piston seal	oil resistant NBR rubber
Piston rod seal	PUR
Rod scrapers	brass with a NBR seal
Plate	nickel plated steel

The cylinders are equipped with 4 rod scrapers on the guide rods and 1 rod scraper on the central piston rod

Standard strokes

Bore	Stroke								
	10	20	25	50	100	125	150	175	200
Ø32			•	•	•	•	•	•	•
Ø40			•	•	•	•	•	•	•
Ø50			•	•	•	•	•	•	•
Ø63			•	•	•	•	•	•	•

Intermediate strokes can be obtained using spacers with defined length (5, 10, 15, 20 mm).

Example: It is possible to obtain a **6110.32.45.C** cylinder from a **6110.32.50.C** cylinder by inserting a spacer with length of 5 mm.

The intermediate strokes manufactured without the use of spacers are considered special executions.

Ordering string

6110-Series

6110 50 175 C

6110

VERSION

50

SIZE

32 = Ø 32 mm
40 = Ø 40 mm
50 = Ø 50 mm
63 = Ø 63 mm

175

STROKE

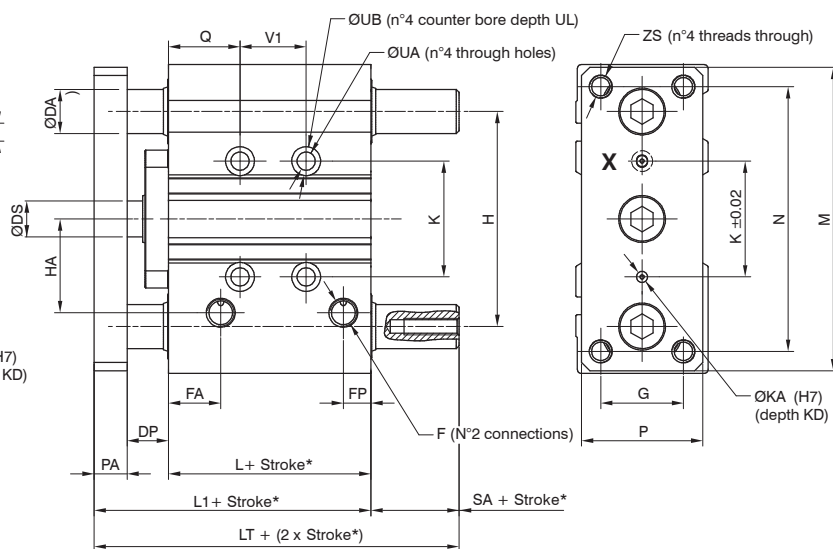
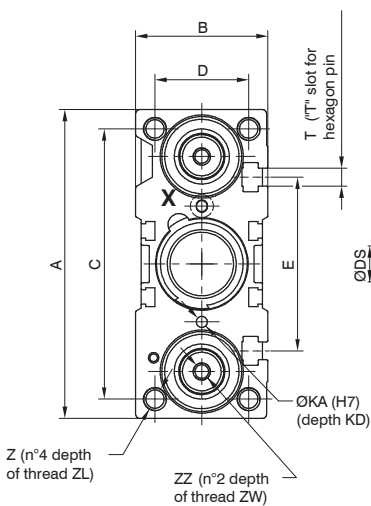
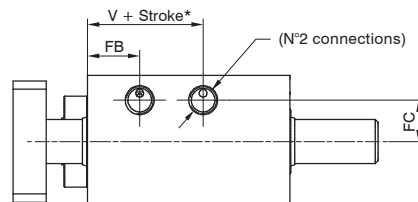
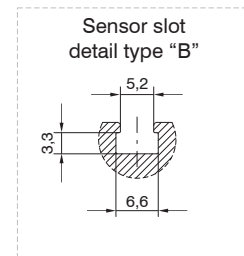
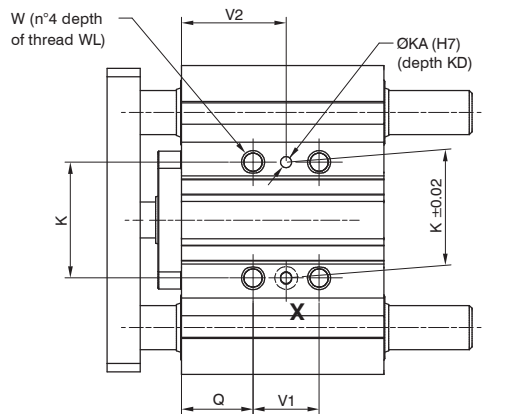
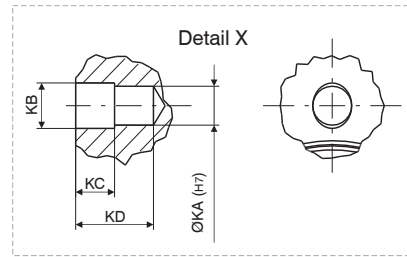
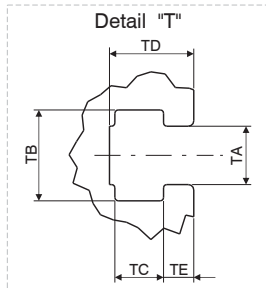
25 = 25 mm **150** = 150 mm
50 = 50 mm **175** = 175 mm
100 = 100 mm **200** = 200 mm
125 = 125 mm

C

SPECIFICATION

C = Side supply ports closed
CL = Top supply ports closed

6110 / Guided compact cylinder



* DIMENSIONAL TOLERANCE
FOR DOWEL HOLES: ± 0.02

DIMENSIONAL TOLERANCE
FOR THREADED HOLES: ± 0.1

REV. 00 - 03/04/2015

Overall dimensions

Bore	Ø32	Ø40	Ø50	Ø63
Table of dimensions				
A	112	120	148	162
B	48	54	64	78
C	98	106	130	142
D	34	40	46	58
DA	16	16	20	20
DP	15	20	23	23
DS	16	16	20	20
E	63	72	92	110
F	G1/8"	G1/8"	G1/4"	G1/4"
FA	19	13	13	14
FB	19	13	13	14
FC	15	18	21,5	28
FP	10	11	11	12,5
G	30	30	40	50
H	78	86	110	124
HA	34	38	47	55
K	42	50	66	80
KA	4	4	5	5
KB	4,5	4,5	6	6
KC	3	3	4	4
KD	6	6	8	8
L	48,5	50	50	55
L1	75,5	82	88	93
LT	82,5	89	93	100
M	110	118	146	158

Bore	Ø32	Ø40	Ø50	Ø63
Table of dimensions				
N	96	104	130	130
PA	12	12	15	15
P	44	44	60	70
Q	26	22	24	24
SA	7	7	5	7
T	M6	M6	M8	M10
TA	6,5	6,5	8,5	11
TB	10,5	10,5	13,5	17,8
TC	5,5	5,5	7,5	10
TD	9,5	11	13,5	18,5
TE	3,5	4	4,5	7
UA	6,6	6,6	8,6	8,6
UB	11	11	14	14
UL	7,5	7,5	9	9
V	17	19	15	20
V1	See table 1			
V2				
W	M8x1,25	M8x1,25	M10x1,5	M10x1,5
WL	16	16	20	20
Z	M8x1,25	M8x1,25	M10x1,5	M10x1,5
ZL	20	20	22	22
ZS	M8x1,25	M8x1,25	M10x1,5	M10x1,5
ZZ	M6	M8	M10	M10
ZW	20	20	25	25

Table 1	V1			V2		
	stroke ≤ 25	25 < stroke ≤ 100	100 < stroke ≤ 200	stroke ≤ 25	25 < stroke ≤ 100	100 < stroke ≤ 200
Ø32	24	48	124	38	50	88
Ø40				34	46	84
Ø50				36	48	86
Ø63	28	52	128	38	50	88

Special design products

Cooling water intake cylinder for welding guns' electrodes replacement

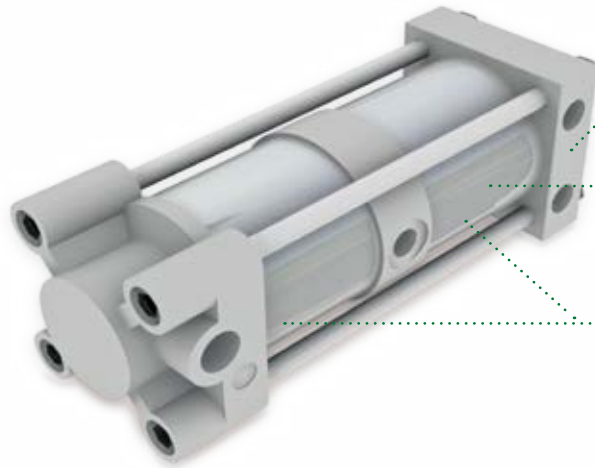
Customized special design products:

PNEUMAX engineering department will analyse every request for any specific application and will adapt or develop new components to meet the customer's needs. **Get in touch with us!**

The capacity of the intake chamber is 0.1 l.

The cylinder can be mounted to the service panel (RIP) for automated welding.

Not suitable for manual
welding operations



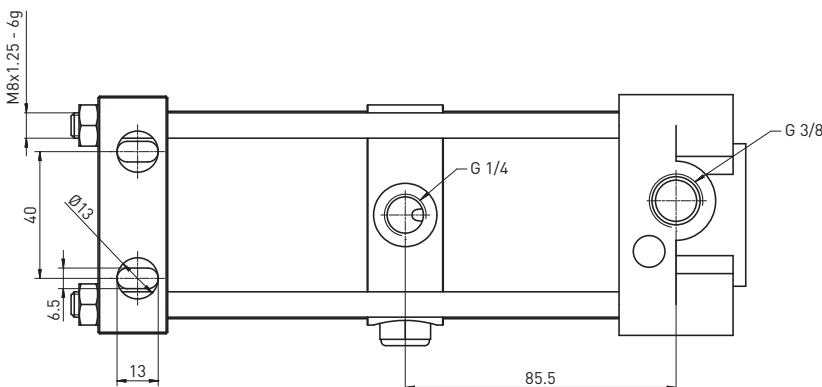
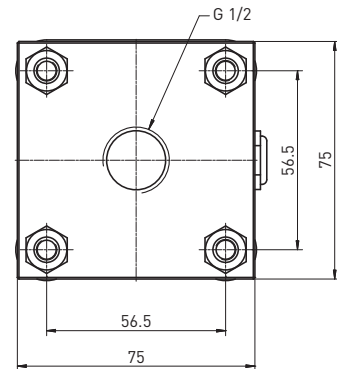
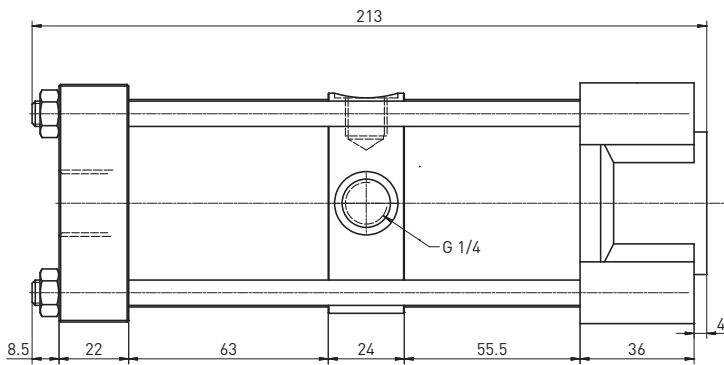
Piping for
the connection
to the welding gun

Intake chamber

Two chambers cylinder

PCY0050 / Cooling water intake cylinder

REV. 00 - 18/02/2015



Accessories

Sensor

M12 or M8
connector;
PNP or NPN



Patented



EC001

Sensor cable

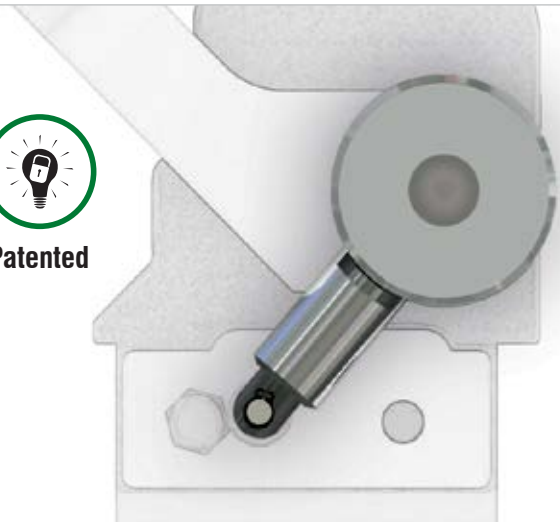


Auto-retaining device

for opening position An extremely light device which maintains the clamping arm in its defined opening position in case of air loss. The AR-series has been designed for **maximum load capacity** and due to its compact dimensions, it can be used on the same side of the manual operation handle.



Patented

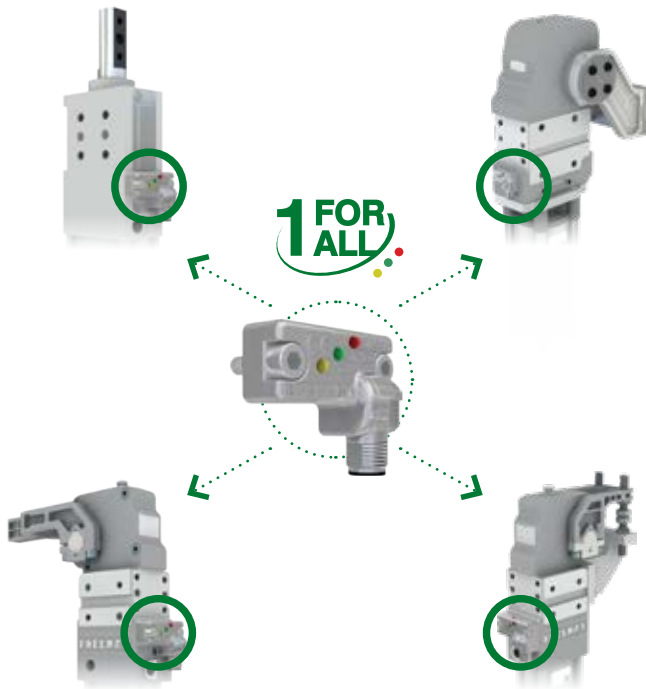


Shims and spacers



Sensor

ES001. Electronic sensor used for all clamps, all sizes and series

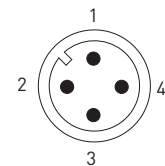
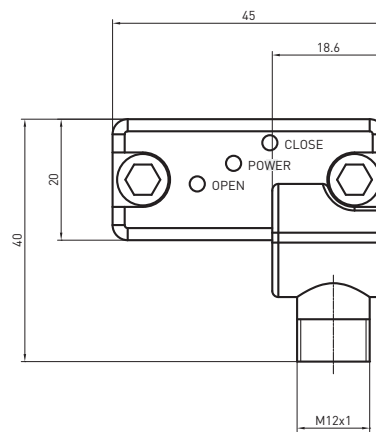
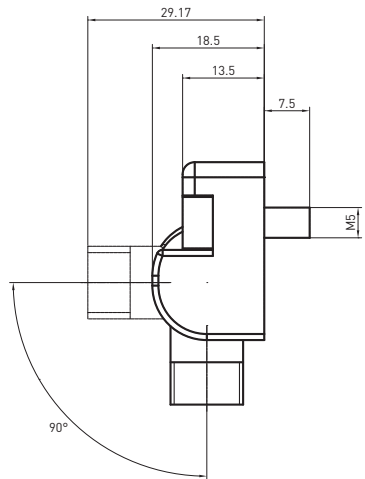


Technical features

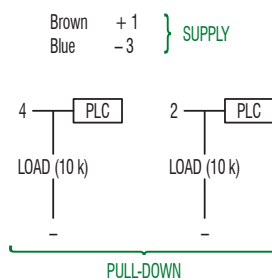
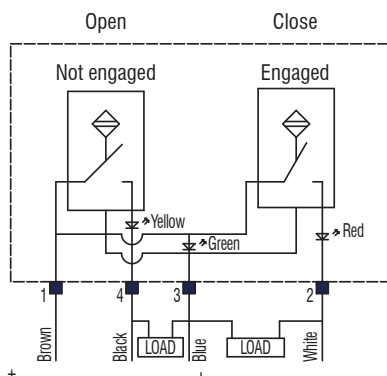
Operating voltage	10-30 VDC
Voltage drop	≤ 2 V
Load current	≤ 100 mA
Current consumption	≤ 30 mA
Short-circuit protection	protected
Protection rating	IP68
Operating temperature	-0 °C +50 °C
Storage temperature	-25 °C +60 °C
Electromagnetic compatibility	EN 60947-5-2:2007 + A1:2012
Weld field immunity	> 100 mT
Power supply indication	green LED
Open position indication	yellow LED
Closed position indication	red LED
Digital output type	PNP

ES001 / Electronic sensor with M12 swivel connector - PNP

REV. 00 - 31/03/2015

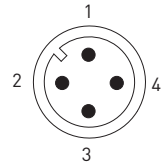
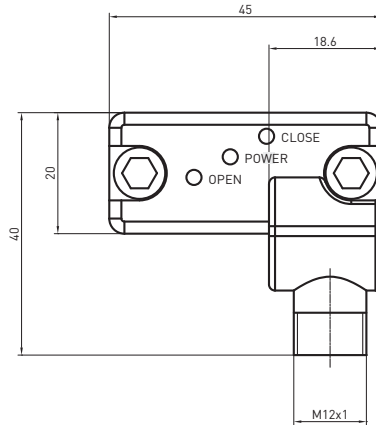
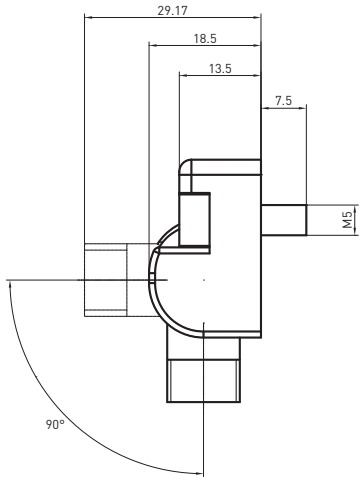


Simplified diagram (PNP)

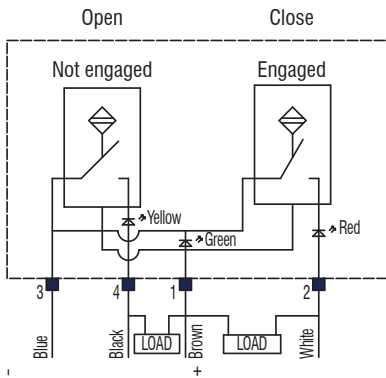


ES002 / Electronic sensor with M12 swivel connector - NPN

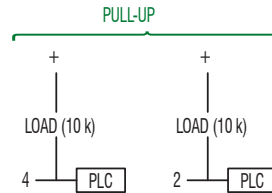
REV. 00 - 31/03/2015



Simplified diagram (NPN)

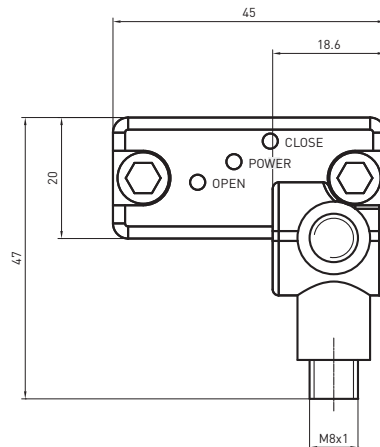
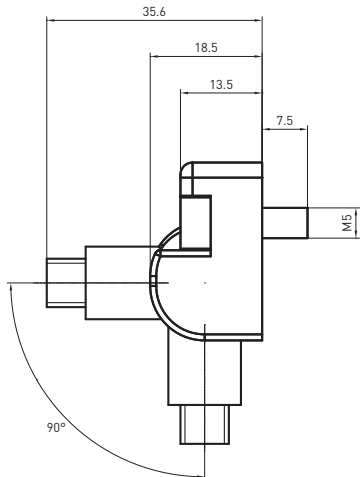


Brown +1 } SUPPLY
Blue -3 }

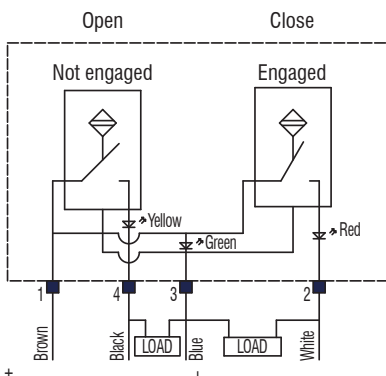


ES003 / Electronic sensor with M8 swivel connector - PNP

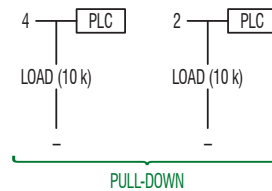
REV. 00 - 31/03/2015



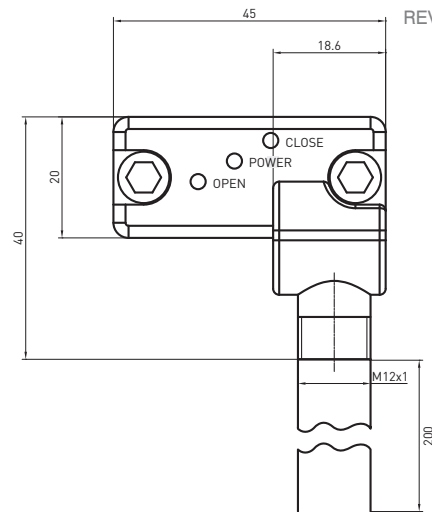
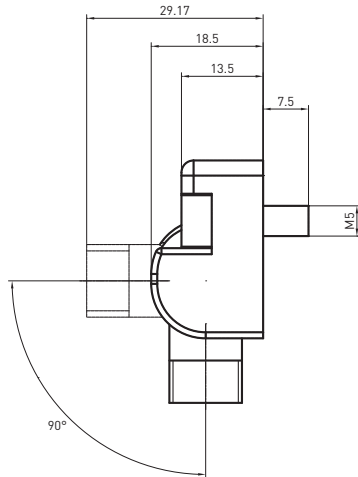
Simplified diagram (PNP)



Brown +1 } SUPPLY
Blue -3 }

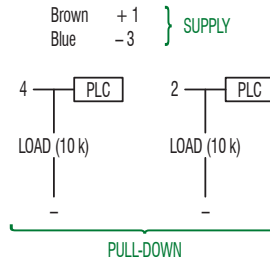
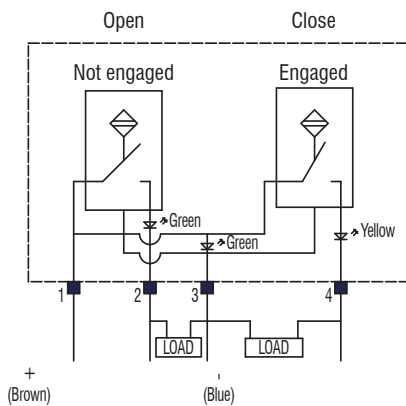


ES004 / Electronic sensor with M12 swivel connector - PNP



REV. 00 - 12/12/2016

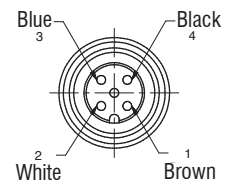
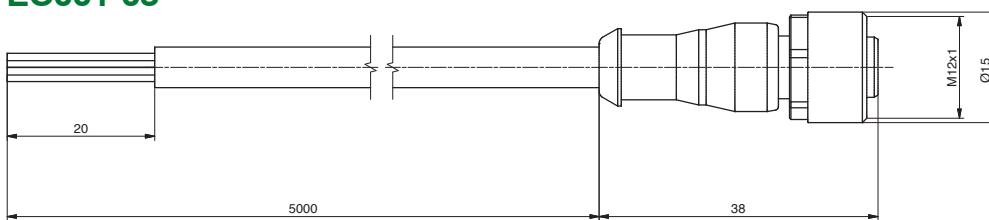
Simplified diagram (PNP)



Technical features	
Power supply indication	green LED
Open position indication	green LED
Closed position indication	yellow LED

Cable

EC001-05



Technical features

Connector features	
Product type	M12 circular connector with moulded cable
Connector type	Straight 180°
Contacts type	Female 4 poles
Pin	4
Protection class	IP67
Rated voltage	250V AC/DC
Rated current	4 A

Cable features	
Pneumax cable code	EC001-05
Numbers of conductors	4
Conductors section	0,34 mm ² (AWG22)
Cable material	PUR UL style 21576
Coating colour	Black
Conductors insulation material	PP
Cable length	5000 mm
Stripping	20 mm Standard

* DIMENSIONAL TOLERANCE FOR DOWEL HOLES: ±0.02
DIMENSIONAL TOLERANCE FOR THREADED HOLES: ±0.1
REV. 00 - 03/04/2015



High flex (class 6)

AR-Series



Optional: auto-retaining device for opening position

An extremely light device which maintains the clamping arm in its defined opening position in case of air loss. The AR-series has been designed for **maximum load capacity** and due to its compact dimensions, it can be used on the same side of the manual operation handle. It locks the manual lever and guarantees the working position of the pin package with no air. It can easily be assembled on the right, as well as on the left side of the unit.



Patented



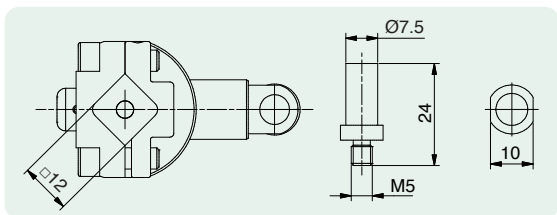
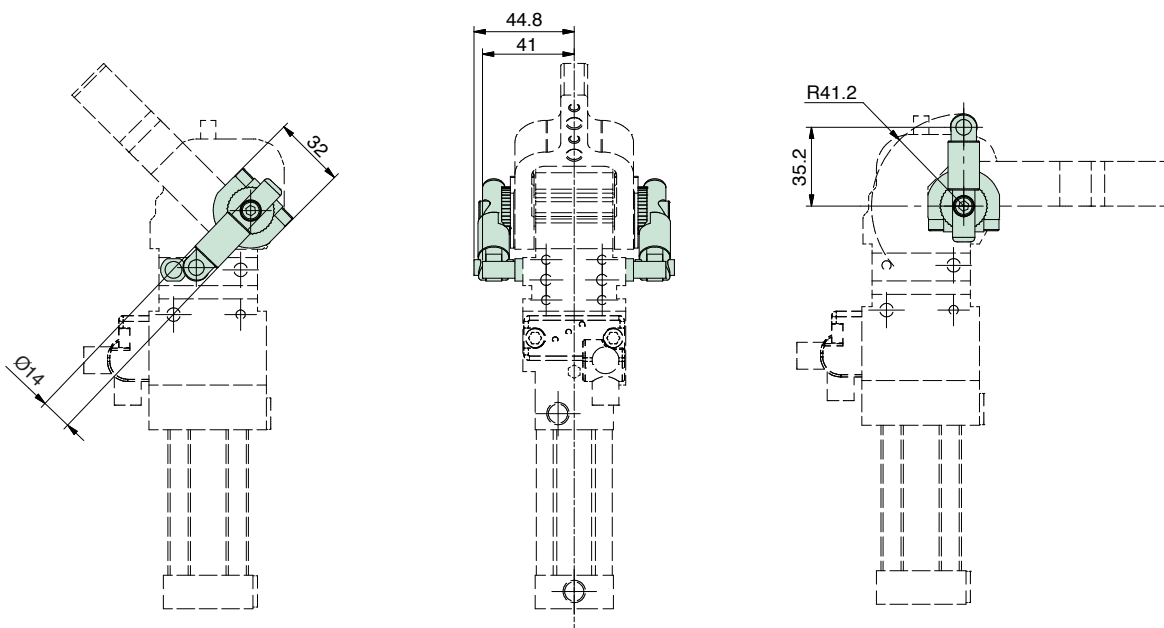
Ordering string

AR-Series

AR 12

AR	PRODUCT	AR	= Auto-retaining device	
12	SIZE	12	= Clamp's shaft 12 mm	19N = Clamp's shaft 19 mm NAAMS
		16	= Clamp's shaft 16 mm	22N = Clamp's shaft 22 mm NAAMS
		19	= Clamp's shaft 19 mm	30N = Clamp's shaft 30 mm NAAMS
		22	= Clamp's shaft 22 mm	09R = for RD250 pin packages
		30	= Clamp's shaft 30 mm	

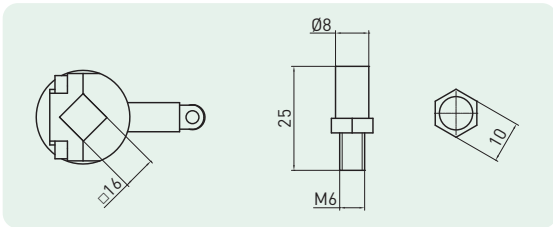
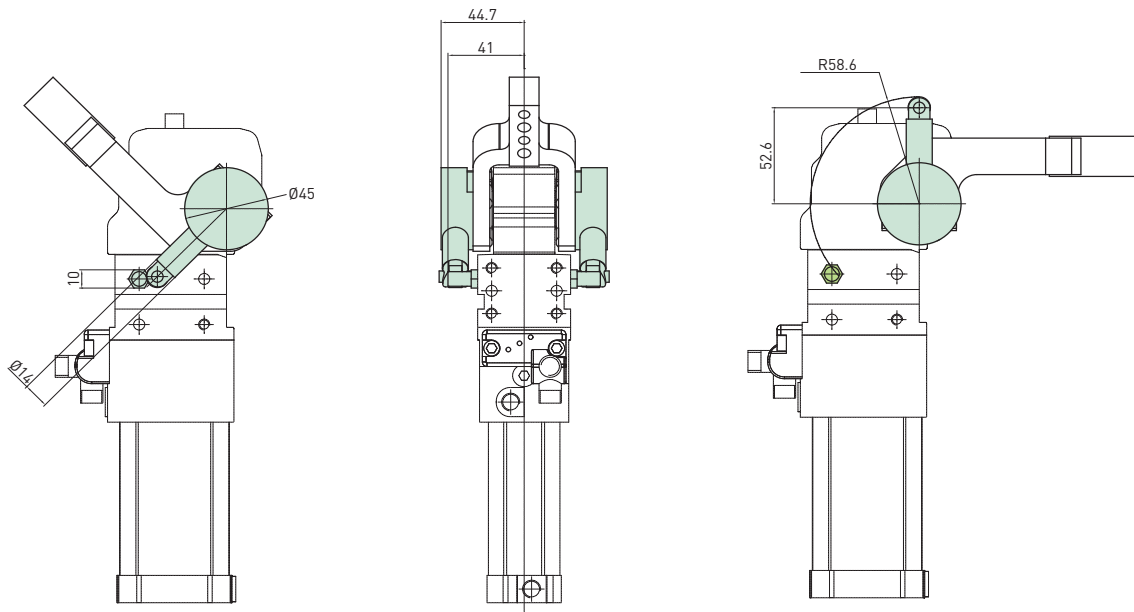
AR12 / Clamp's shaft 12 mm



* DIMENSIONAL TOLERANCE
FOR DOWEL HOLES: ± 0.02
DIMENSIONAL TOLERANCE
FOR THREADED HOLES: ± 0.1

REV 01 - 24/04/2024

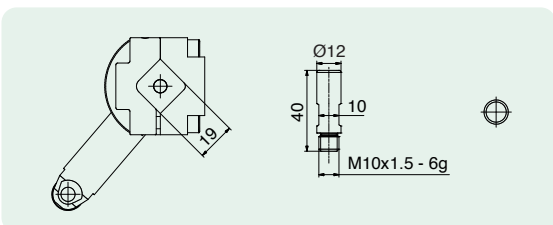
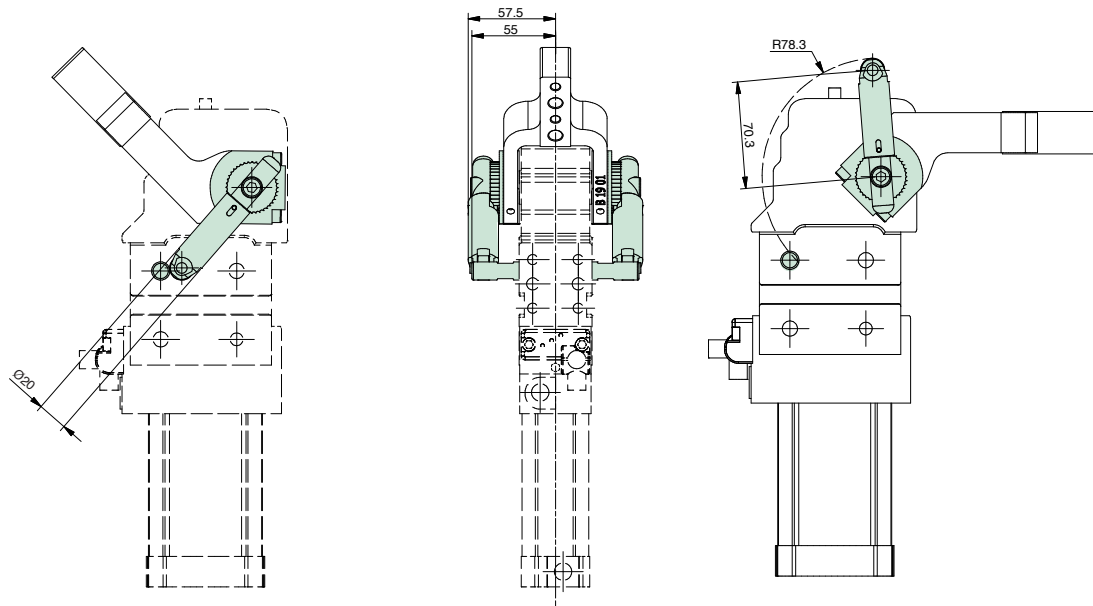
AR16 / Clamp's shaft 16 mm



* DIMENSIONAL TOLERANCE
FOR DOWEL HOLES: ± 0.02
DIMENSIONAL TOLERANCE
FOR THREADED HOLES: ± 0.1

REV 00 - 16/02/2016

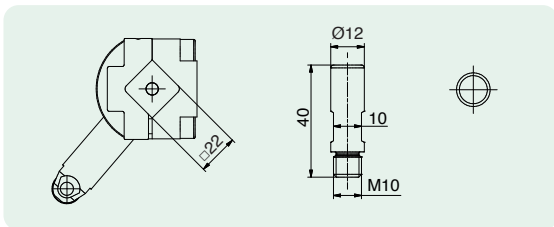
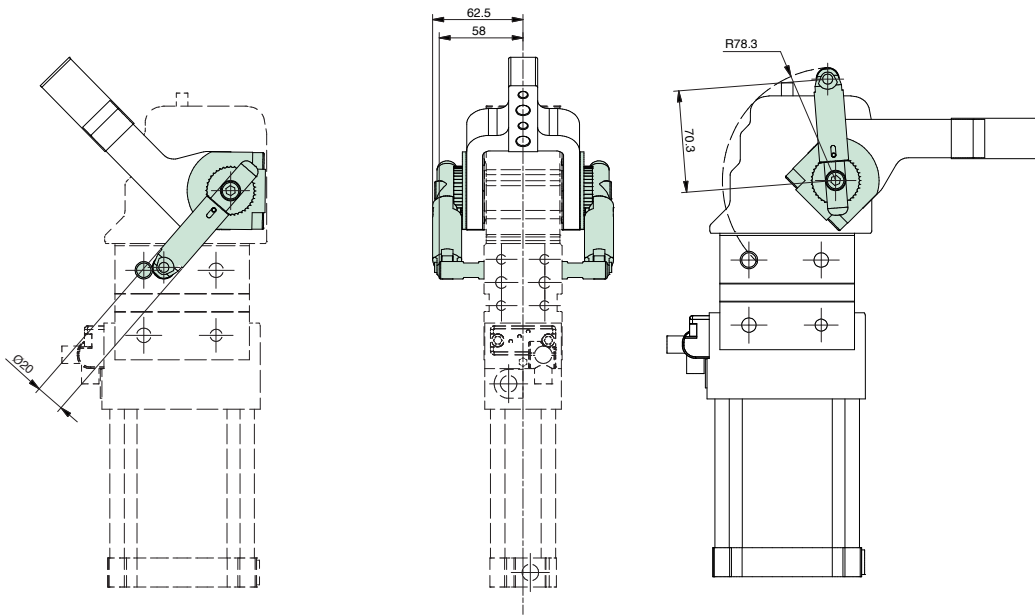
AR19 / Clamp's shaft 19 mm



* DIMENSIONAL TOLERANCE
FOR DOWEL HOLES: ± 0.02
DIMENSIONAL TOLERANCE
FOR THREADED HOLES: ± 0.1

REV 01 - 24/04/2024

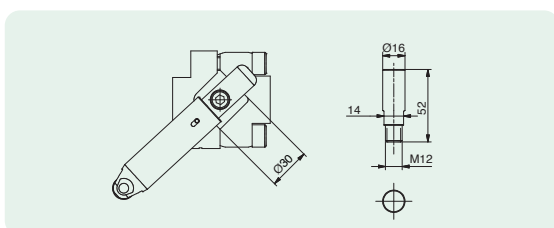
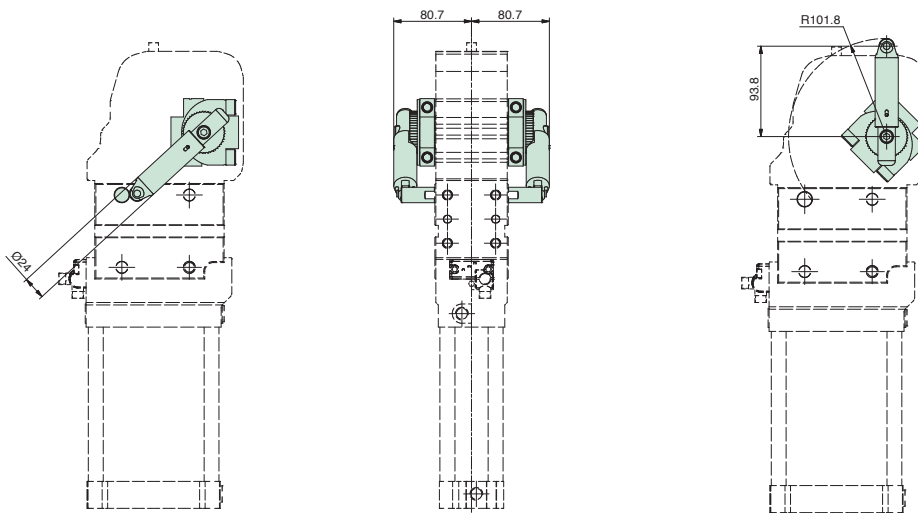
AR22 / Clamp's shaft 22 mm



* DIMENSIONAL TOLERANCE
FOR DOWEL HOLES: ± 0.02
DIMENSIONAL TOLERANCE
FOR THREADED HOLES: ± 0.1

REV 01 - 24/04/2024

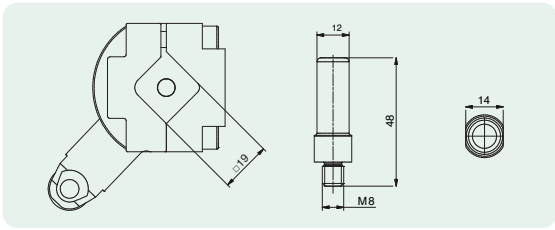
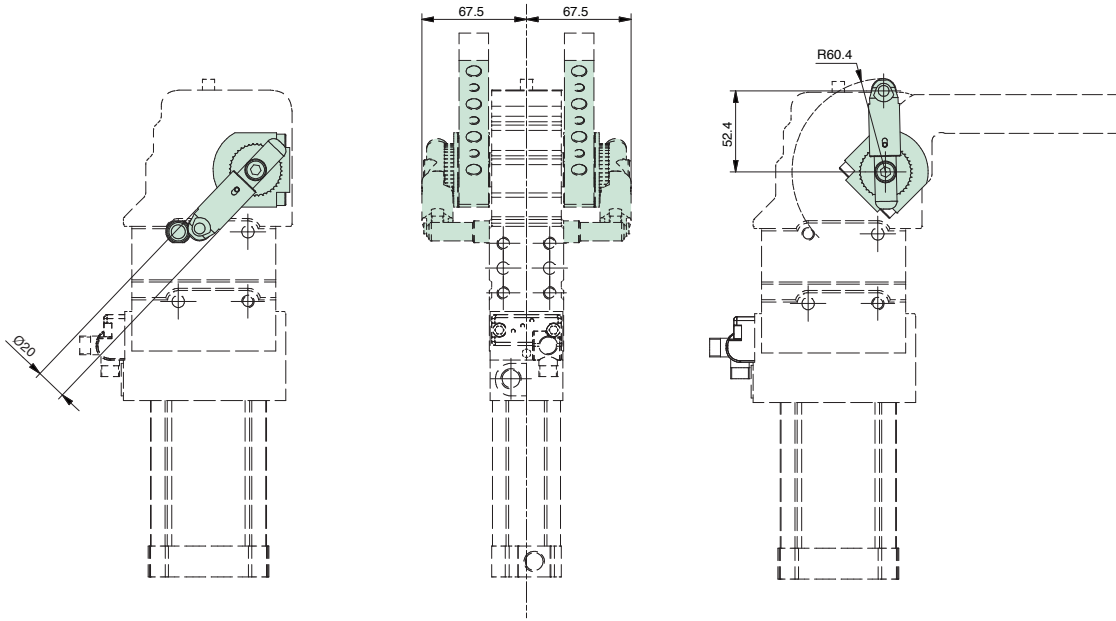
AR30 / Clamp's shaft 30 mm



* DIMENSIONAL TOLERANCE
FOR DOWEL HOLES: ± 0.02
DIMENSIONAL TOLERANCE
FOR THREADED HOLES: ± 0.1

REV 01 - 24/04/2024

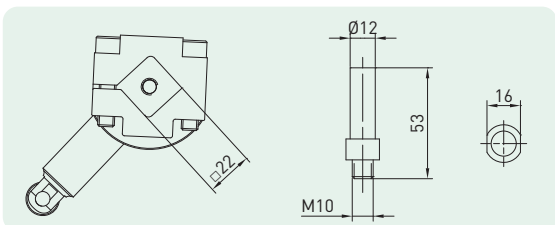
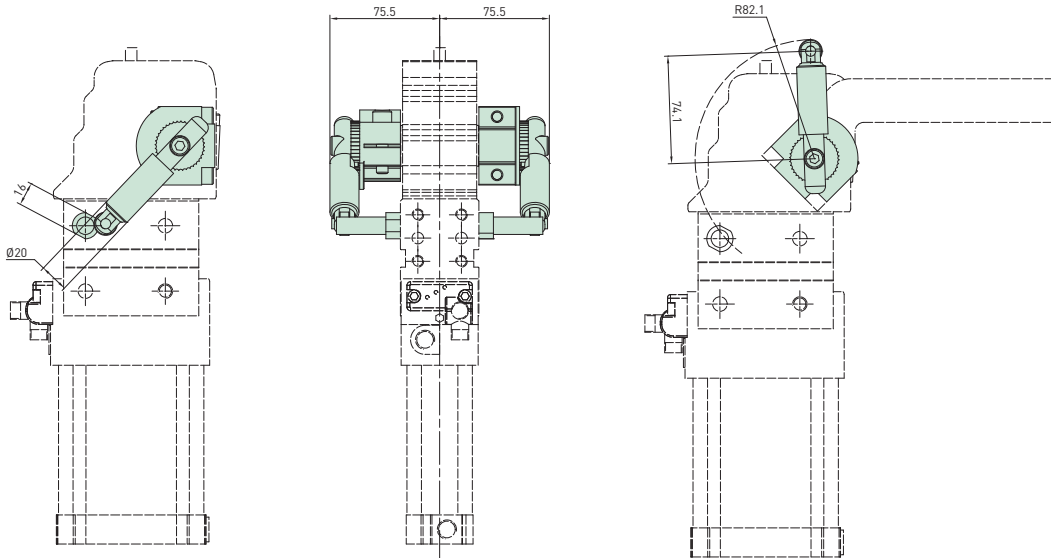
AR19N / Clamp's shaft 19 mm - NAAMS std



* DIMENSIONAL TOLERANCE
FOR DOWEL HOLES: ± 0.02
DIMENSIONAL TOLERANCE
FOR THREADED HOLES: ± 0.1

REV 01 - 24/04/2024

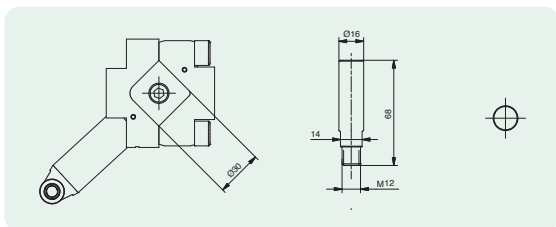
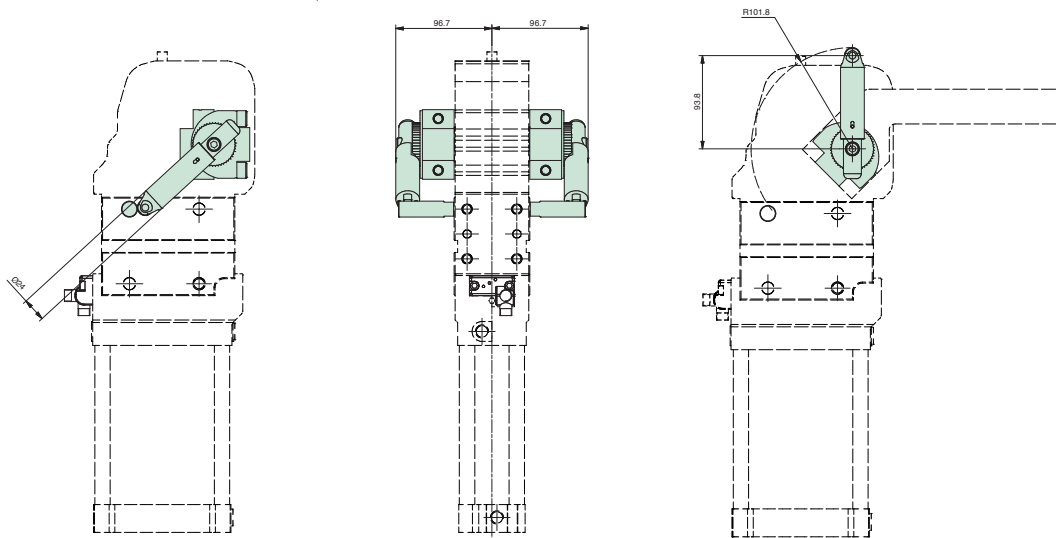
AR22N / Clamp's shaft 22 mm - NAAMS std



* DIMENSIONAL TOLERANCE
FOR DOWEL HOLES: ± 0.02
DIMENSIONAL TOLERANCE
FOR THREADED HOLES: ± 0.1

REV 00 - 29/03/2019

AR30N / Clamp's shaft 30 mm - NAAMS Std

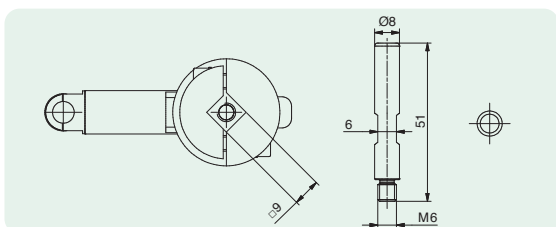
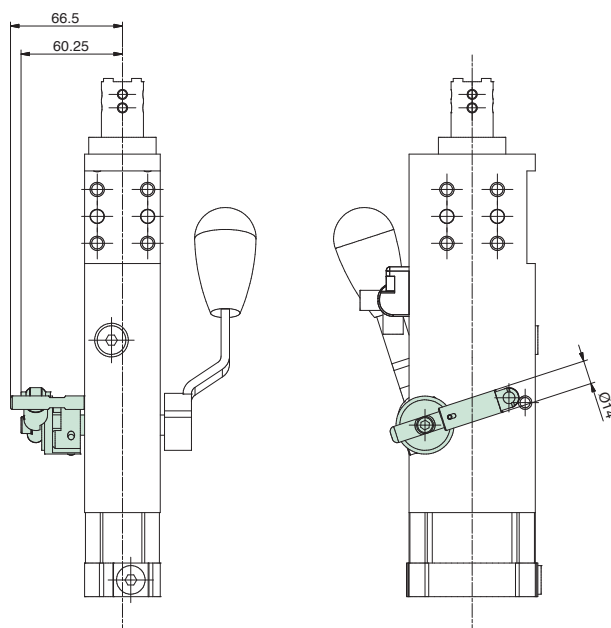


* DIMENSIONAL TOLERANCE
FOR DOWEL HOLES: ± 0.02

DIMENSIONAL TOLERANCE
FOR THREADED HOLES: ± 0.1

REV 01 - 24/04/2024

AR09RD / Auto-retaining system for pin packages with manual operation

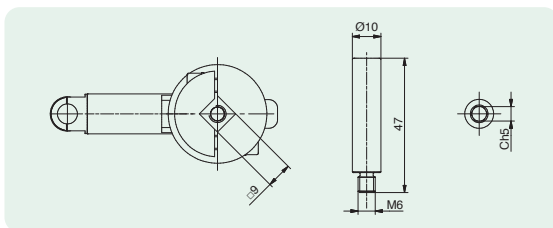
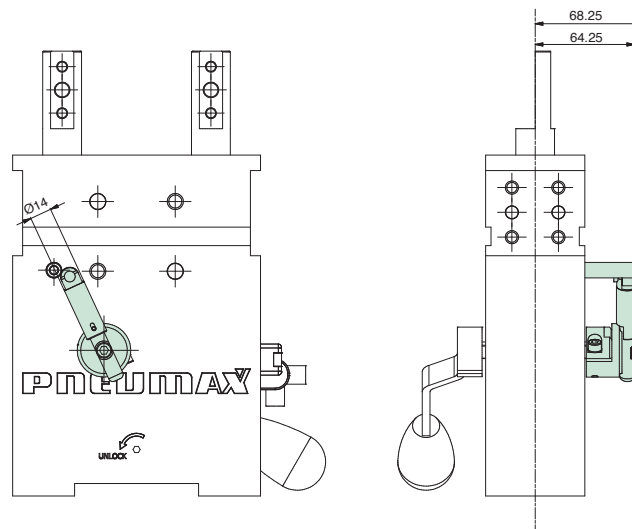


* DIMENSIONAL TOLERANCE
FOR DOWEL HOLES: ± 0.02

DIMENSIONAL TOLERANCE
FOR THREADED HOLES: ± 0.1

REV 01 - 24/04/2024

AR09F / Auto-retaining system for pin packages FTD50 with manual operation



* DIMENSIONAL TOLERANCE
FOR DOWEL HOLES: ± 0.02
DIMENSIONAL TOLERANCE
FOR THREADED HOLES: ± 0.1

REV 01 - 24/04/2024

Auto-retaining device

Quick installation guide

Caution

Any maintenance operation may only be carried out by qualified and authorized personnel. For any reason, do not reach into the pivoting range of the clamping arms, when the clamps are in operation. Disconnect and lock out pneumatic and electric supply lines before operating on or around clamps.

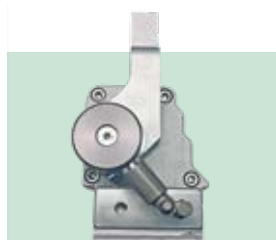
A worksheet for the right sizing of the pin packages is available upon request. Visit our website for technical documents

<http://automotive.pneumax.it/>



Clamps in open position with auto-retain device

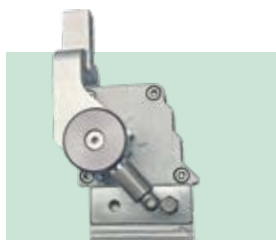
Clamp arm assembly



Position 1



Position 2



Position 3



Position 4

Please check the max opening angle related to the different arm position in our catalogue.

Auto-retaining device for opening position



Patented

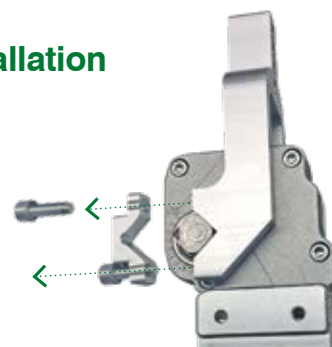
An extremely light device which maintains the clamping arm in its defined opening position in case of air loss. The AR-series has been designed for **maximum load capacity** and due to its compact dimensions, it can be used on the same side of the manual operation handle.

With the clamping arm in the opening position

Clamp arm installation

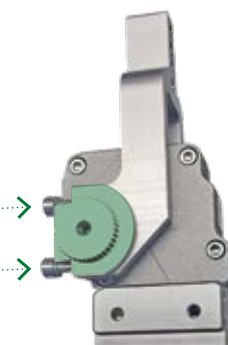
Step 1

Remove the standard bracket.



Step 2

Replace the standard bracket with the specific bracket included AR kit, and tighten it.



Step 3

Adjust the retaining device according to the opening angle, install the pin screw in the threaded hole of the side mount and tighten the retaining device with its screw.



Step 4

Set the interference between the holding device and the pin screw by slightly increasing or decreasing the opening angle adjustment, till the function is secured.



Shims and spacers

Ordering string



Shims

SH A 16 477 05

SH	PRODUCT	SH = shims
A	MOUNTS	A = for clamping arms M = front, rear or side mounts of clamps or pin packages
16	SIZE	16 = for clamping arms with 16 mm shaft 1922 = for clamping arms with 19 OR 22 mm shaft 30 = for clamping arms with 30 mm shaft 30x32 = mounting dimensions
477	HOLE PATTERN	477 = 4 holes, 2 Ø 7 screw holes and 2 Ø 7 dowel holes 499 = 4 holes, 2 Ø 9 screw holes and 2 Ø 9 dowel holes 399 = 3 holes, 2 Ø 9 screw holes and 1 Ø 9 dowel holes
05	THICKNESS	01 = 0.1 mm 02 = 0.2 mm 05 = 0.5 mm 15 = 1.5 mm 20 = 2 mm 5 = 5 mm

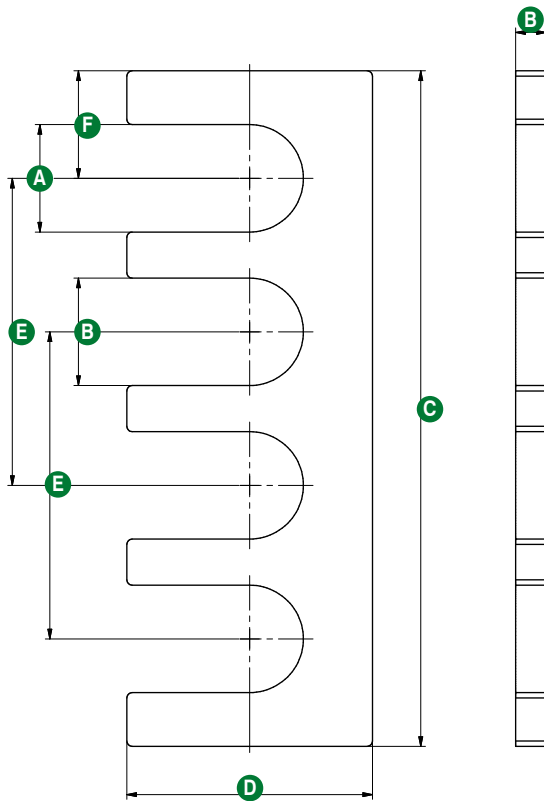


Spacers

SP A 16 477 50

SP	PRODUCT	SP = spacers
A	MOUNTS	A = for clamping arms M = front, rear or side mounts of clamps or pin packages
16	SIZE	16 = for clamping arms with 16 mm shaft 1922 = for clamping arms with 19 OR 22 mm shaft 30 = for clamping arms with 30 mm shaft 30x32 = mounting dimensions
477	HOLE PATTERN	477 = 4 holes, 2 Ø 7 screw holes and 2 Ø 7 dowel holes 499 = 4 holes, 2 Ø 9 screw holes and 2 Ø 9 dowel holes 399 = 3 holes, 2 Ø 9 screw holes and 1 Ø 9 dowel holes
05	THICKNESS	50 = 5 mm

Shims



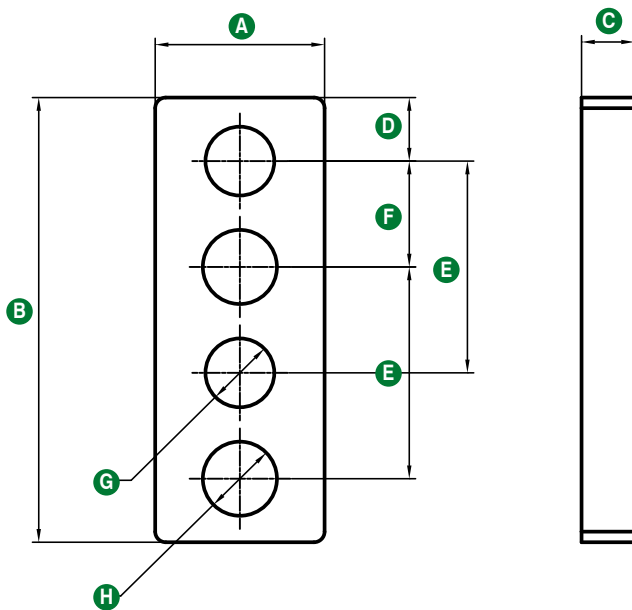
* DIMENSIONAL TOLERANCE FOR DOWEL HOLES: ± 0.02

DIMENSIONAL TOLERANCE FOR THREADED HOLES: ± 0.1

REV. 00 - 01/10/2015

	A	B	C	D	E	F	G	TYPE
SHA1647701	7	7	44	16	20	7	0.1	4 SLOTS
SHA1647702	7	7	44	16	20	7	0.2	4 SLOTS
SHA1647705	7	7	44	16	20	7	0.5	4 SLOTS
SHA1647710	7	7	44	16	20	7	1	4 SLOTS
SHA1647720	7	7	44	16	20	7	2	4 SLOTS
SHA1647750	7	7	44	16	20	7	5	4 SLOTS
SHA192249901	9	9	60	20	30	7.5	0.1	4 SLOTS
SHA192249902	9	9	60	20	30	7.5	0.2	4 SLOTS
SHA192249905	9	9	60	20	30	7.5	0.5	4 SLOTS
SHA192249910	9	9	60	20	30	7.5	1	4 SLOTS
SHA192249920	9	9	60	20	30	7.5	2	4 SLOTS
SHA192249950	9	9	60	20	30	7.5	5	4 SLOTS
SHM30X3239901	9	9	50	50	32	9	5	3 SLOTS
SHM30X3239902	9	9	50	50	32	9	5	3 SLOTS
SHM30X3239905	9	9	50	50	32	9	5	3 SLOTS
SHM30X3239910	9	9	50	50	32	9	5	3 SLOTS
SHM30X3239920	9	9	50	50	32	9	5	3 SLOTS
SHM30X3239950	9	9	50	50	32	9	5	3 SLOTS
SPA1647750	7	7	44	16	20	7	5	4 HOLES
SPA192249950	9	9	60	20	30	7.5	5	4 HOLES
SPA3047750	9	9	60	25	30	7.5	5	4 HOLES
SPM192239950	9	9	50	50	32	9	5	6 HOLES

Spacers



* DIMENSIONAL TOLERANCE FOR DOWEL HOLES: ± 0.02

DIMENSIONAL TOLERANCE FOR THREADED HOLES: ± 0.1

REV. 00 - 01/10/2015

	A	B	C	D	E	F	G	H
SPA1647650	16	42	5	6	20	10	6.5	7
SPA192247650	20	60	5	7.5	30	15	9	9
SPA3047650	25	60	5	7.5	30	15	9	9

ATEX Directive



Clamping

ATEX READY SERIES C1				
	part no. C1_25/80			
	Marking	Temperature	Size	Mounting Pattern
	II 2G Ex h IIC T6 Gb X II 2D Ex h IIIC T85°C Db X	$0^{\circ}\text{C} \leq \text{Ta} \leq +50^{\circ}\text{C}$ (T6/T85°C)	Ø25 - Ø80mm	International mount
ATEX READY SERIES C2				
	part no. C2_50/80			
	Marking	Temperature	Size	Mounting Pattern
	II 2G Ex h IIC T6 Gb X II 2D Ex h IIIC T85°C Db X	$0^{\circ}\text{C} \leq \text{Ta} \leq +50^{\circ}\text{C}$ (T6/T85°C)	Ø50 - Ø80mm	NAAMS Standard
ATEX READY SERIES HE1				
	part no. HE1P0/1/2/3/4			
	Marking	Temperature	Size	Mounting Pattern
	II 2G Ex h IIC T6 Gb X II 2D Ex h IIIC T85°C Db X	$0^{\circ}\text{C} \leq \text{Ta} \leq +50^{\circ}\text{C}$ (T6/T85°C)	Ø40 - Ø80mm	International mount
ATEX READY SERIES HE2				
	part no. HE2P1/2/3			
	Marking	Temperature	Size	Mounting Pattern
	II 2G Ex h IIC T6 Gb X II 2D Ex h IIIC T85°C Db X	$0^{\circ}\text{C} \leq \text{Ta} \leq +50^{\circ}\text{C}$ (T6/T85°C)	Ø50 - Ø80mm	NAAMS Standard



ATEX READY



SERIES CX



part no. **C_X40/50/63**

Marking	Temperature	Size	Mounting Pattern
II 2G Ex h IIC T6 Gb X II 2D Ex h IIIC T85°C Db X	0°C ≤ Ta ≤ +50°C (T6/T85°C)	Ø40 - Ø63mm	International mount / NAAMS Standard

ATEX READY



SERIES CS/HES



part no. **CS/HES**

Marking	Temperature	Size	Mounting Pattern
II 2G Ex h IIC T6 Gb X II 2D Ex h IIIC T85°C Db X	0°C ≤ Ta ≤ +50°C (T6/T85°C)	Ø40 - Ø80mm	International mount / NAAMS Standard

ATEX READY



SERIES CB



part no. **CB40/63**

Marking	Temperature	Size	Mounting Pattern
II 2G Ex h IIC T6 Gb X II 2D Ex h IIIC T85°C Db X	0°C ≤ Ta ≤ +50°C (T6/T85°C)	Ø40; Ø63mm	International mount

ATEX READY



SERIES AR



part no. **AR_/AR_N/AR09R**

Marking	Temperature	Size	Mounting Pattern
II 2G Ex h IIC T6 Gb X II 2D Ex h IIIC T85°C Db X	0°C ≤ Ta ≤ +50°C (T6/T85°C)	12mm; 16mm; 19mm; 22mm; 30mm	International mount / NAAMS Standard

Locating

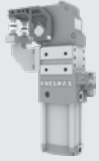
ATEX READY SERIES R				
	part no. R_32			
	Marking	Temperature	Size	Stroke
	II 2G Ex h IIC T6 Gb X II 2D Ex h IIIC T85°C Db X	0°C ≤ Ta ≤ +50°C (T6/T85°C)	Ø32mm	20mm; 40mm
	part no. R_50/63			
Marking	Temperature	Size	Stroke	
II 2G Ex h IIC T6 Gb X II 2D Ex h IIIC T85°C Db X	0°C ≤ Ta ≤ +50°C (T6/T85°C)	Ø50; Ø63mm	15mm; 25mm; 40mm; 50mm; 60mm	
ATEX READY SERIES RT				
	part no. RT_40			
	Marking	Temperature	Size	Stroke
	II 2G Ex h IIC T6 Gb X II 2D Ex h IIIC T85°C Db X	0°C ≤ Ta ≤ +50°C (T6/T85°C)	Ø40 mm	40 mm
ATEX READY SERIES RC				
	part no. RC_D50/63			
	Marking	Temperature	Size	Stroke
	II 2G Ex h IIC T6 Gb X II 2D Ex h IIIC T85°C Db X	0°C ≤ Ta ≤ +50°C (T6/T85°C)	Ø50; Ø63mm	25mm; 50mm
	part no. RC_D50/63			
ATEX READY SERIES HP				
	part no. HP50			
	Marking	Temperature	Size	Stroke
	II 2G Ex h IIC T6 Gb X II 2D Ex h IIIC T85°C Db X	0°C ≤ Ta ≤ +50°C (T6/T85°C)	Ø50mm	15mm; 25mm; 40mm; 50mm; 60mm
	part no. HP50			
ATEX READY SERIES F				
	part no. F_40/41/63			
	Marking	Temperature	Size	Stroke
	II 2G Ex h IIC T6 Gb X II 2D Ex h IIIC T85°C Db X	0°C ≤ Ta ≤ +50°C (T6/T85°C)	Ø40 mm, Ø41 mm, Ø63mm	15mm; 25mm; 40mm; 50mm; 60mm
	part no. F_40/41/63			
ATEX READY SERIES FT				
	part no. FT_50			
	Marking	Temperature	Size	Stroke
	II 2G Ex h IIC T6 Gb X II 2D Ex h IIIC T85°C Db X	0°C ≤ Ta ≤ +50°C (T6/T85°C)	Ø50 mm	40mm
	part no. FT_50			

Handling

ATEX READY



SERIES J

part no. **J_40**

Marking	Temperature	Size	Arm
II 2G Ex h IIC T6 Gb X II 2D Ex h IIIC T85°C Db X	0°C ≤ Ta ≤ +50°C (T6/T85°C)	Ø40 mm	Aluminum / Steel

Pivoting

ATEX READY



SERIES P

part no. **P63**

Marking	Temperature	Size	Opening Angle
II 2G Ex h IIC T6 Gb X II 2D Ex h IIIC T85°C Db X	0°C ≤ Ta ≤ +50°C (T6/T85°C)	Ø63 mm	0°-135°

cod. **P80/100/125**

Marking	Temperature	Size	Opening Angle
II 2G Ex h IIC T6 Gb X II 2D Ex h IIIC T85°C Db X	0°C ≤ Ta ≤ +50°C (T6/T85°C)	Ø80, Ø100 mm, Ø125 mm	45°; 60°; 90°; 120°; 135°

Components for the automotive industry

Pneumax is a **one-source supplier** for the Automotive Industry with a comprehensive line of:

- **Pneumatic drives**
- **Valves**
- **Valve terminals**
- **Communication control blocks**
- **Compressed air preparation**
- **Grippers**
- **Exhaustive range of clamping, locating, handling and pivoting devices for BIW.**

ECOMPACT
Compact cylinders



SHORT STROKE
Compact cylinders



ECOLIGHT ISO 15552
Standard-based
light cylinders



ISO 6432
Standard-Based
microcylinders



ECOFLAT
Flat cylinders



RODLESS
Cylinders



GUIDED
Compact cylinders



GUIDED COMPACT CYLINDERS
Metal Rod Scrapers



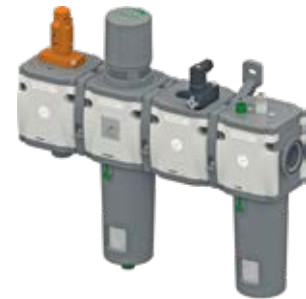
Serial connections with:

- **CAN**open
- Ether**CAT**®
- **DeviceNet**™
- **IO-Link**
- **PROFI**®
BUS
- **PROFI**®
NET
- **EtherNet/IP**™

ROTARY ACTUATORS
Cylinders



AIRPLUS
Modular Air Service Units



OPTYMA
Valve Manifold series



PARALLEL GRIPPERS
Compact cylinders



Radial grippers
(180°)



Three-points grippers



Angle grippers



Mini slides

CABINETS AND SYSTEMS



ISO 15407
Valve Manifold series



SERIE 1700
Proportional regulators



SPECIAL SOLUTION
Cooling water intake cylinder





HEADQUARTERS



PNEUMAX

PNEUMAX S.P.A.

Via Cascina Barbellina, 10
24050 Lurano (BG) - Italia
Tel. 035/4192777
Fax 035/4192740 - 035/4192741
info@pneumaxspa.com
www.pneumaxspa.com

TITAN ENGINEERING S.P.A.

Via dei Cerri, 16
47899 Serravalle - RSM
Tel. +378 0549/960419
Fax +378 0549/960421
info@titanengineering.sm
www.titanengineering.sm

AUTOMATIONWARE S.R.L.

Via Luciano Cacace, 5-7
30030 Martellago (VE)- Italia
Tel. +39 0415102028
info@automationware.it
www.automationware.it

BRANCHES

BRAZIL

Pneumax Brasil
Rua Apucarana 211
8301050, São José dos Pinhais
Tel. +55 41 33987262
diretoria@pneumaxbr.com.br
www.pneumaxbr.com.br

CHINA

Pneumax Pneumatic Equipments Co., Ltd.
No. 76, Jinma Rd., Jiufu Economic Development Zone, Jiuting Town
201615, PRC, Shanghai
Tel. +86 (21) 57763100
sales@pneumaxchina.com
www.pneumaxchina.com

CZECH REPUBLIC

Pneumax Automation s.r.o.
U Panského mlýna 240/9, 747 06, Opava
Tel. +420 553 760 953
pneumax@pneumaxsro.cz
www.pneumaxsro.cz

DENMARK - FINLAND - NORWAY - SWEDEN

Pneumax Scandinavia AB
Strandvägen 101, SE-234 31, Lomma
Tel. +46 (40) 617 40 40
info@pneumax.se
www.pneumax.se

FRANCE

Pneumax France SAS
Z.I. NORD PARADIES 7
Rue de Waldkirch - BP 42
67601, Selestat CEDEX
Tel. +33 (3) 88580450
commercial@pneumax-france.fr
www.pneumax-france.fr

GERMANY

Pneumax GmbH
Tantalstraße 4, 63571, Gelnhausen
Tel. +49 (0) 6051 9777 0
info@pneumax-gmbh.de
www.pneumax.de

INDIA

Pneumax Pneumatic India Pvt. Ltd.
Plot No. 2, Sector 151
Noida-201310
Tel. +91 (120) 4352560 / 61 / 62
info@pneumax-india.com
www.pneumax-india.com

PORTUGAL

Portugal Pneumax Lda
Complexo Industrial da
Granja Fração H-Casarias
2625-607, Vialonga
Tel. +351 (219) 737390
geral@pneumax.pt
www.pneumax.pt

SINGAPORE

Pneumax Singapore Pte Ltd
51, Ubi Avenue 1/ 01-16,
Paya Ubi Industrial Park
408933, Singapore
Tel. +65 6392 0581
sales@pneumax.com.sg
www.pneumax.com.sg

SPAIN

Pneumax S.A.
Pol. Ind. Olaso Edif. 15 - Pab. 52-53-54
20870 Elgoibar, Guipúzcoa
Tel. +34 943 744144
pneumax@pneumax.es
www.pneumax.es

UNITED KINGDOM

Pneumax UK Ltd.
110 Vista Park, Mauretania Road
SO16 0YS, Nursling
Tel. +44 2380 740412
sales@pneumax.co.uk
www.pneumax.co.uk

USA

Pneumax Automation LLC
5005 Apple Creek Parkway (PO Box 495)
Dallas NC, 28034 - USA
Tel. +1 (704) 215-6991
Fax: +1 888 613 6529
info@pneumax.us
www.pneumax.us

ITALY

Pneumax Sud S.r.l.
Via dei Bucaneve, SNC
70026, Modugno (BA)
Tel. 080 9645904
info@pneumaxsud.it
www.pneumaxsud.it

Pneumax Veneto S.r.l.
V.le della Tecnica, 15
36100, Vicenza (VI)
Tel. 0444 289011
info@pneumaxveneto.it
www.pneumaxveneto.it

Pneumax Torino S.r.l.
Corso Allamano, 34
10095, Grugliasco (TO)
Tel. 011 4143656
info@pneumaxtorino.com
www.pneumaxtorino.com

Pneumax Lombardia S.r.l.
Via Alberto I° re dei Belgi, 13
20900, Monza (MB)
Tel. 039 736176
info@pneumaxlombardia.it
www.pneumaxlombardia.it

Pneumax Toscana S.r.l.
Via Bruno Sarri, 20/A
50019, Sesto Fiorentino (FI)
Tel. 055 8071307
info@pneumaxtoscana.it
www.pneumaxtoscana.it

A.I.R. Pneumatic Center S.r.l.
Via J. Gutenberg, 6
47822, Santarcangelo
di Romagna (RN)
Tel. 0541 624314
info@airpneumatic.it
www.airpneumatic.it

F.I.A.P. S.p.A.
Via Palach, 75
41122, Modena (MO)
Tel. 059 311084
info@fiapsa.it
www.fiapsa.it

F.I.P. S.p.A.
Via ALFREDO VERONI, 20
43122, Parma (PR)
Tel. 0521 606132
info@fipsrl.it
www.fipsa.eu



PNEUMAX

PNEUMAX S.p.A.

Via Cascina Barbellina, 10

24050 Lurano (BG) - Italy

P. +39 035 41 92 777

automotive@pneumaxspa.com

www.pneumaxspa.com