



# NC Locator

## MLGA Multi-Axes Locator for Geometric Alignments

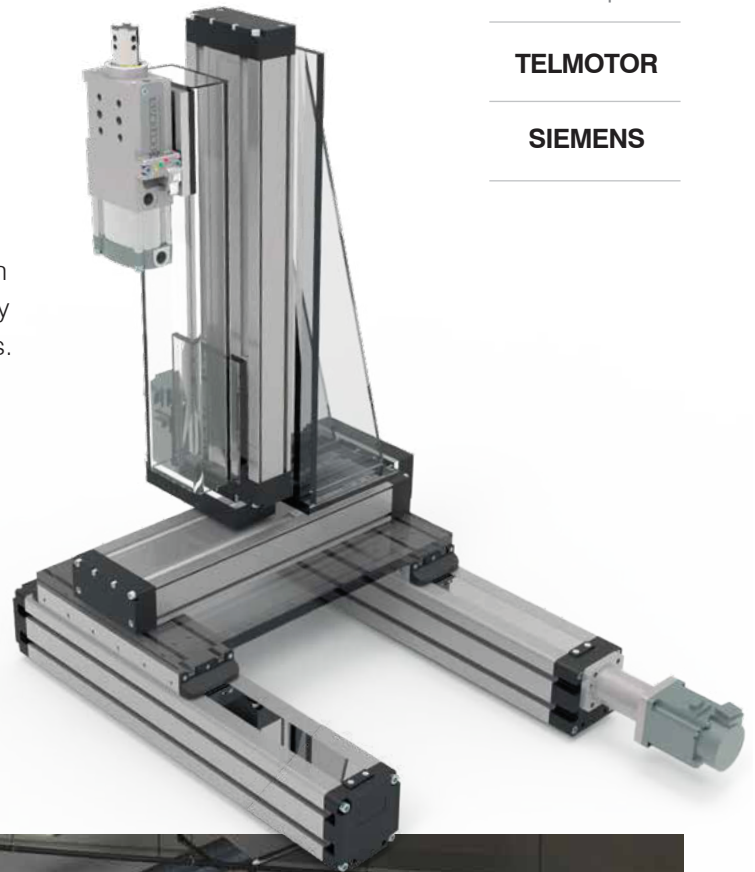
Positioning locator with interpolated electric actuators with ball bushings and brushless servo motors, all controlled by a digital driver system to provide the geometric alignments.

- **Compact design** : the MLGA can be used on grounded toolings or on end effectors with robots
- **High repeatability** and high location accuracy
- **High protection** level against contamination:
  - all components are protected against welding spatter and deposits of debris from on-going mechanical processes. Suitable for harsh environments, as Body In White
- **User-friendly interface** - Simplified HMI, augmented reality and cloud connection

Partnership con

TELMOTOR

SIEMENS

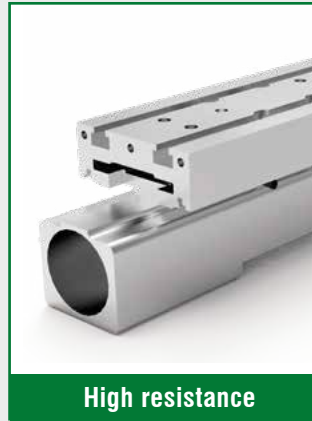




Compactness



High repeatability



High resistance



User-friendly Interface

## General features

- **DIGITAL TWIN** for commissioning, testing, training and customer specific adoption
- **RECONFIGURABILITY:** the system allows the operator to adjust the location in order to quickly and easily adapt to different geometric alignments of different models
- **SINAMICS S120** drives with extended safety functions
- **SIMATIC IoT2040 PLATFORM:** in Cloud accurate monitoring of functional parameters and data analytics
- **SINEMA REMOTE CONNECT** for secure maintenance and connection
- **AUGMENTED REALITY** for easy to use interoperability with the machine and production line



## Interpolation of different systems

Possible configuration for process time reduction

