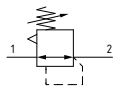


▶ Panel mounted pressure regulator with pressure gauge built into the adjusting knob (RP)



- ▶ Diaphragm pressure regulator with relieving
- ▶ Aluminium body version
- ▶ High flow rates with low pressure drops
- ▶ Available with 1/8" and 1/4" connections
- ▶ Low hysteresis rolling diaphragm and balanced spool
- ▶ Available in four pressure ranges up to 12 bar
- ▶ Fitted with panel mounting locking ring
- ▶ Atex certification Atex II 2GD
- ▶ Ø 24,5 pressure gauge built into adjusting knob
- ▶ Pressure gauge with 4 mounting positions relative to IN connection (0°-90°-180°-270°)
- ▶ Class 4 pressure gauge ($\pm 4\%$ full scale)



Note

For installations where a more accurate and constant pressure is required, the unit should be installed as close as possible to the point of use.

2

AIR TREATMENT

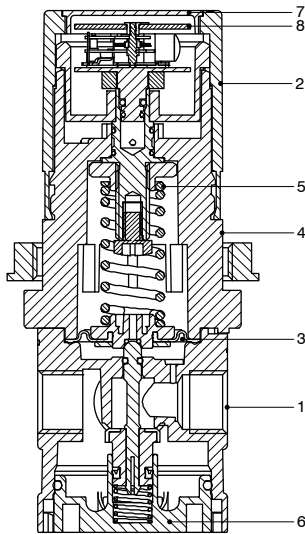
Technical characteristics	
Size	Size 1
Body and connections type	Aluminium body version
IN / OUT connections	G1/8" - G1/4"
Assembly configuration	Stand alone Panel mounted With fixing bracket
Assembly positions	Indifferent
Pressure range	0-2 bar 0-4 bar 0-8 bar 0-12 bar
Regulation	Manul push and lock with pressure
Pressure measurement	Pressure gauge built into knob
Max. fittings torque IN / OUT connections	G1/8" metal: 15Nm G1/4" metal: 20Nm
Max. fitting torque pressure gauge connection port	G1/8" metal: 15Nm

Operational characteristics	
Size	Size 1
Maximum working pressure	13 bar
Minimum working pressure	0,5 bar
Working temperature	-10 °C ... +50 °C

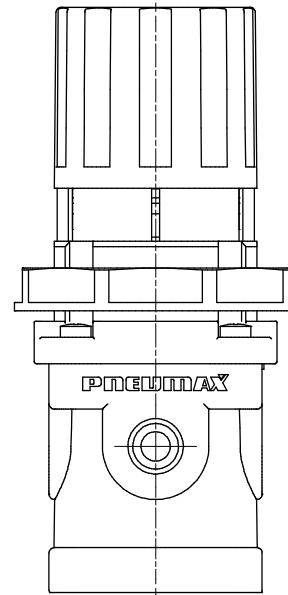
Weights	
Size	Size 1
Aluminium body version	190 g

Materials

Exploded sectioned



Design



Panel mounted pressure regulator

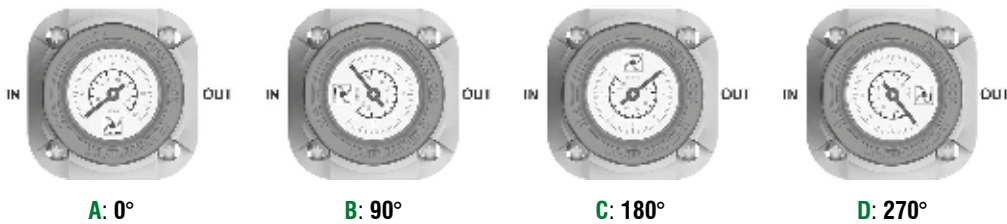
1	Body	Die-cast aluminium
2	Adjusting knob	Polyamide
3	Diaphragm	NBR
4	Adjustment support	Polyamide
5	Adjusting spring	Steel
6	Rear end cap	Polyamide
7	Lens	Polycarbonate
8	Pressure gauge	Brass/ABS

2 AIR TREATMENT

Coding: RP17[ⓐ]BM[ⓑ]RO[ⓐ]1[ⓐ]0[ⓐ]2[ⓐ]0[ⓐ]3

ⓐ	CONNECTIONS	ⓐ ³	KNOB OPTIONS
	1A = G1/8"		V = Green knob (RAL6032)
	1B = G1/4"		G = Grey knob (RAL7004)
ⓑ	PRESSURE RANGE		
	A = 0 - 2 bar		
	B = 0 - 4 bar		
	C = 0 - 8 bar		
	D = 0 - 12 bar		
ⓐ ¹	RELIEVING OPTIONS		
	A = With relieving		
	F = Controlled refuel and improved relieving		
	L = Without relieving		
ⓐ ²	PRESSURE GAUGE ORIENTATION		
	A = 0°		
	B = 90°		
	C = 180°		
	D = 270°		

Pressure gauge orientation

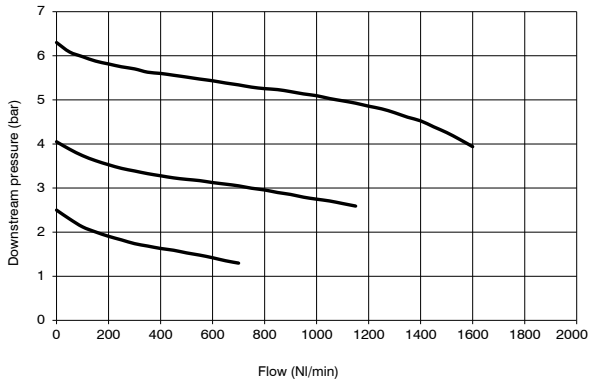


Example: RP171ABMAAV Panel mounted pressure regulator with pressure gauge G1/8", 0 - 2 bar, pressure gauge orientation at 0°, with relieving and green knob.

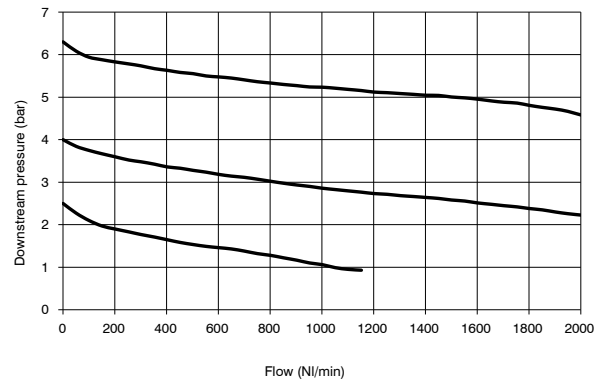
Characteristic curves

Flow rate curves

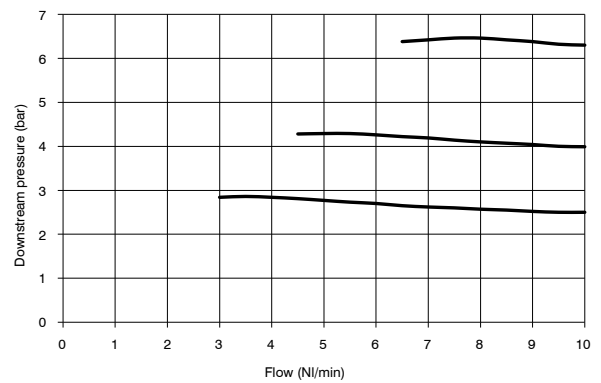
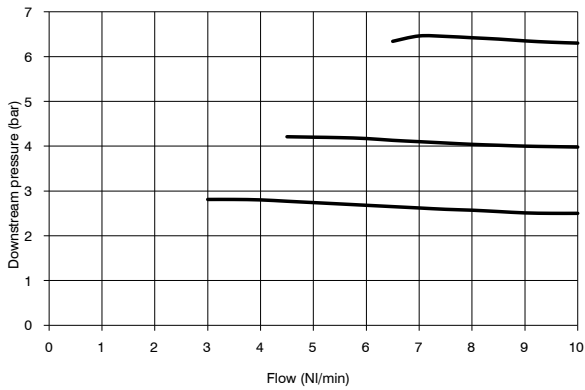
G1/8" 0-8 bar P1= 7 bar



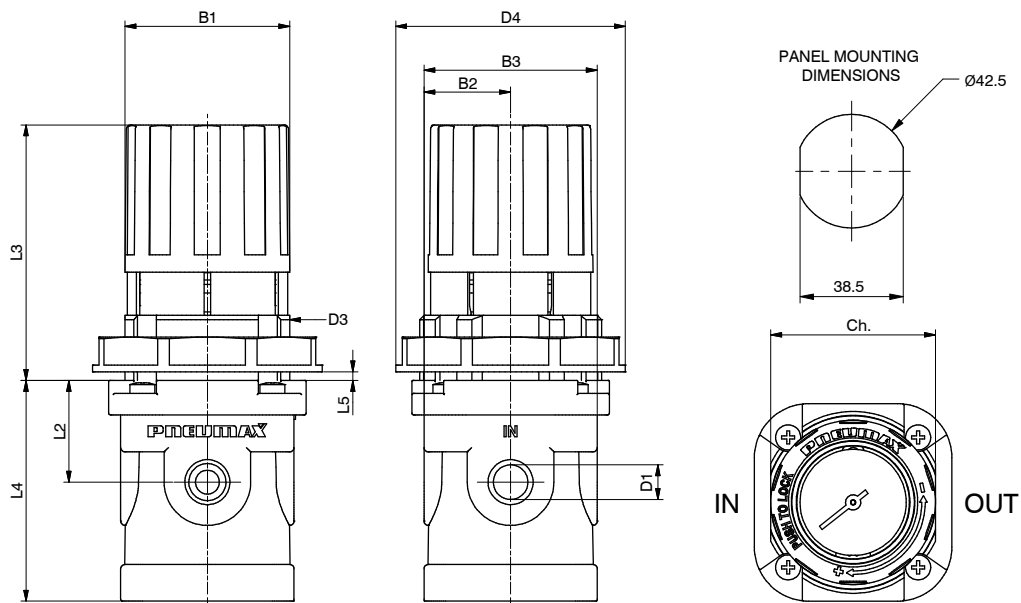
G1/4" 0-8 bar P1= 7 bar



Adjustment characteristic



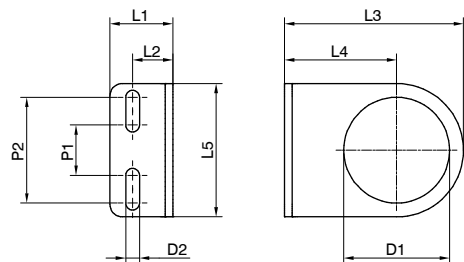
Dimensions



Model	B1	B2	B3	D1	D2	D3	D4	L2	L3	L4	L5	CH
RP171ABM...	38	20	40	G1/8"	G1/8"	M42x1,5	53	23.5	59	51	4 max	38
RP171BBM...	38	20	40	G1/4"	G1/8"	M42x1,5	53	23.5	59	51	4 max	38

► Fixing bracket

Coding: 17150



Model	L1	L2	L3	L4	L5	D1	D2	P1	P2
17150	20	13	50	30	40	30	5,5	20	30

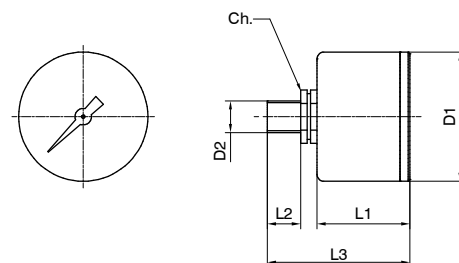
2 AIR TREATMENT

► Pressure gauge

Coding: 17070 **V** **S**



	VERSION
V	A = Ø40
	B = Ø50
	SCALE
S	A = 0 - 4 bar
	B = 0 - 6 bar
	C = 0 - 12 bar



Model	D1	D2	L1	L2	L3	Ch
17070A...	41	Gc-1/8"	26	10	44	14
17070B...	49	Gc-1/8"	27	10	45	14