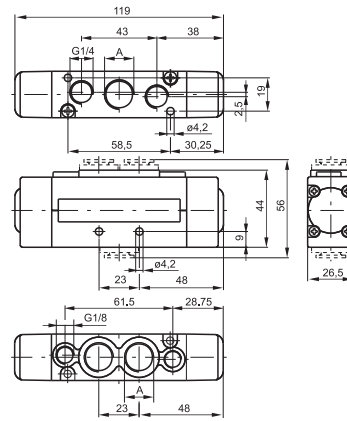


Pneumatic - Spring

Ordering code
261 .52.00.19
CONNECTIONS "A"
1 = G3/8"
5 = G1/4"
8 = quick fitting tube Ø10



Weight gr. 235
Minimum piloting pressure 2 bar

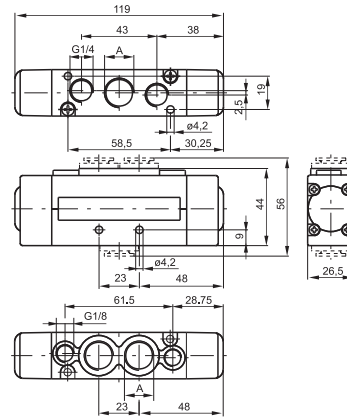


For dimension "A" see ordering code

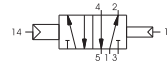
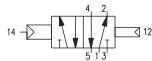
Operational characteristic	Fluid	Max working pressure (bar)	Temperature °C		Flow rate at 6 bar with Δp=1 (NI/min)	Orifice size (mm)	Working ports size	Pilot ports size
	Filtered and lubricated air or not		Min. -5°C	Max. +50°C				
		10 bar	Min. -5°C	Max. +50°C	1500 NI/min	mm 9	G1/4" - G3/8" tube Ø10	G1/8"

Pneumatic - Differential / Differential external

Ordering code
261 .52.00.P
CONNECTIONS "A"
1 = G3/8"
5 = G1/4"
8 = quick fitting tube Ø10
PILOTING
16 = Pneum. - Diff./al
17 = Pneum. - Diff./al ext.



Weight gr. 235
Minimum piloting pressure 2 bar

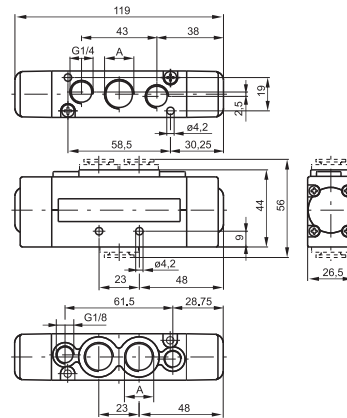


For dimension "A" see ordering code

Operational characteristic	Fluid	Max working pressure (bar)	Temperature °C		Flow rate at 6 bar with Δp=1 (NI/min)	Orifice size (mm)	Working ports size	Pilot ports size
	Filtered and lubricated air or not		Min. -5°C	Max. +50°C				
		10 bar	Min. -5°C	Max. +50°C	1500 NI/min	mm 9	G1/4" - G3/8" tube Ø10	G1/8"

Pneumatic - Pneumatic

Ordering code
261 .52.00.18
CONNECTIONS "A"
1 = G3/8"
5 = G1/4"
8 = quick fitting tube Ø10



Weight gr. 235
Minimum piloting pressure 1,5 bar



For dimension "A" see ordering code

Operational characteristic	Fluid	Max working pressure (bar)	Temperature °C		Flow rate at 6 bar with Δp=1 (NI/min)	Orifice size (mm)	Working ports size	Pilot ports size
	Filtered and lubricated air or not		Min. -5°C	Max. +50°C				
		10 bar	Min. -5°C	Max. +50°C	1500 NI/min	mm 9	G1/4" - G3/8" tube Ø10	G1/8"



Miniature solenoid - Spring / Differential

Ordering code

261 **C**.52.00.**P.V**

CONNECTIONS "A"

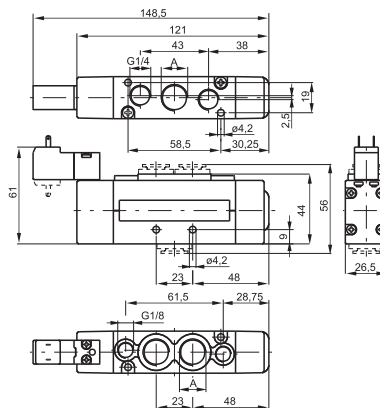
- C** 1 = G3/8"
- 5 = G1/4"
- 8 = quick fitting tube Ø10

PILOTING

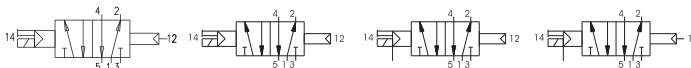
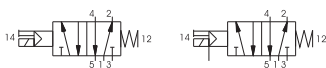
- P** 39 = Sv. - Spring
- 29 = Sv. ext. - Spring
- 36 = Sv. - Diff./al
- 37 = Sv. ext. - Diff./al ext.
- 26 = Sv. ext. - Diff./al
- 27 = Sv. ext. - Diff./al ext.

COIL VOLTAGE

- V** 01 = 12V DC
- 02 = 24V DC
- 05 = 24V AC
- 06 = 110V AC
- 07 = 220V AC
- 08 = 24V DC 1 Watt
- 09 = 24V DC Earth Faston
- 11 = 12V DC Downward
- 12 = 24V DC Downward
- 15 = 24V AC Downward
- 16 = 110V AC Downward
- 17 = 220V AC Downward
- 18 = 24V DC 1 Watt Downward
- 19 = 24V DC Earth Faston Downward



Weight gr. 275
Minimum working pressure 2 bar - For dimension "A" see ordering code



Operational characteristic

Fluid	Max working pressure (bar)	Temperature °C	Flow rate at 6 bar with Δp=1 (Nl/min)	Orifice size (mm)	Working ports size
Filtered and lubricated air or not	10 bar	Min. -5°C Max. +50°C	1500 Nl/min	mm 9	G1/4" - G3/8" tube Ø10

Miniature solenoid - Miniature solenoid

Ordering code

261 **C**.52.00.**P.V**

CONNECTIONS "A"

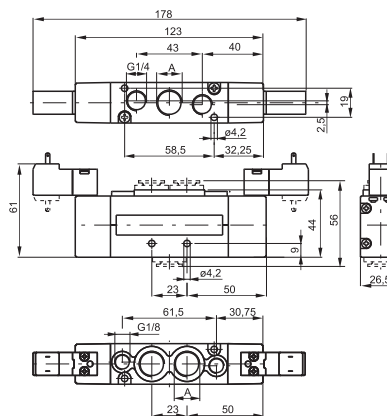
- C** 1 = G3/8"
- 5 = G1/4"
- 8 = quick fitting tube Ø10

PILOTING

- P** 35 = Sv. - Sv.
- 24 = Sv. ext. - Sv. ext.

COIL VOLTAGE

- V** 01 = 12V DC
- 02 = 24V DC
- 05 = 24V AC
- 06 = 110V AC
- 07 = 220V AC
- 08 = 24V DC 1 Watt
- 09 = 24V DC Earth Faston
- 11 = 12V DC Downward
- 12 = 24V DC Downward
- 15 = 24V AC Downward
- 16 = 110V AC Downward
- 17 = 220V AC Downward
- 18 = 24V DC 1 Watt Downward
- 19 = 24V DC Earth Faston Downward



Weight gr. 295
Minimum working pressure 1,5 bar - For dimension "A" see ordering code

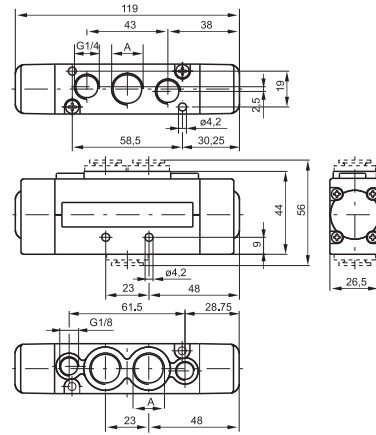


Operational characteristic

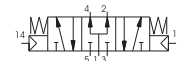
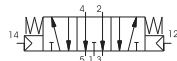
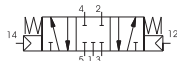
Fluid	Max working pressure (bar)	Temperature °C	Flow rate at 6 bar with Δp=1 (Nl/min)	Orifice size (mm)	Working ports size
Filtered and lubricated air or not	10 bar	Min. -5°C Max. +50°C	1500 Nl/min	mm 9	G1/4" - G3/8" tube Ø10

Pneumatic - Pneumatic

Ordering code	
261C.53.F.18	
CONNECTIONS "A"	
1 = G3/8"	
5 = G1/4"	
8 = quick fitting tube Ø10	
FUNCTION	
F 31 = Closed centres	
32 = Open centres	
33 = Pressured centres	



Weight gr. 245 - Minimum working pressure 3 bar

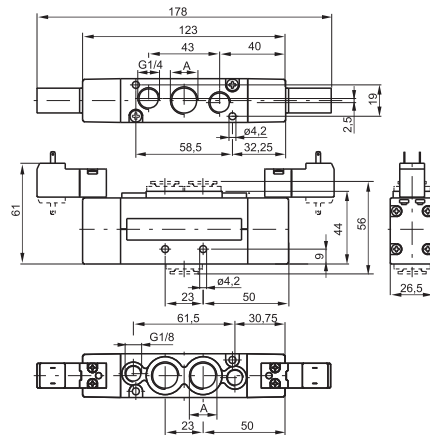


For dimension "A" see ordering code

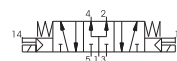
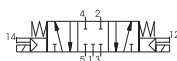
Operational characteristic	Fluid	Max working pressure (bar)	Temperature °C		Flow rate at 6 bar with Δp=1 (Nl/min)	Orifice size (mm)	Working ports size	Pilot ports size
		Filtered and lubricated air or not	10 bar	Min. -5°C	Max. +50°C	1350 Nl/min	mm 9	G1/8"-G1/4" tube Ø6-tube Ø8

Miniature solenoid - Miniature solenoid

Ordering code	
261C.53.F.P.V	
CONNECTIONS "A"	
1 = G3/8"	
5 = G1/4"	
8 = quick fitting tube Ø10	
FUNCTION	
F 31 = Closed centres	
32 = Open centres	
33 = Pressured centres	
PILOTING	
P 24 = Sv. ext. - Sv. ext.	
35 = Sv. - Sv.	
COIL VOLTAGE	
01 = 12V DC	
02 = 24V DC	
05 = 24V AC	
06 = 110V AC	
07 = 220V AC	
08 = 24V DC 1 Watt	
V 09 = 24V DC Earth Faston	
11 = 12V DC Downward	
12 = 24V DC Downward	
15 = 24V AC Downward	
16 = 110V AC Downward	
17 = 220V AC Downward	
18 = 24V DC 1 Watt Downward	
19 = 24V DC Earth Faston Downward	



Weight gr. 245 - Minimum working pressure 3 bar



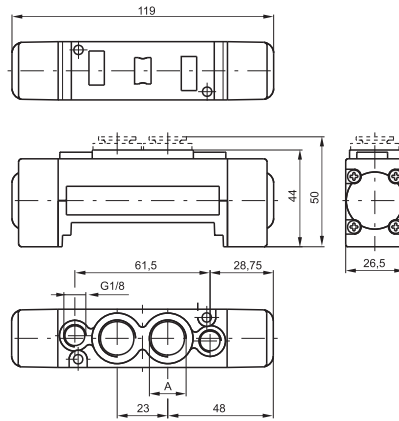
For dimension "A" see ordering code

Operational characteristic	Fluid	Max working pressure (bar)	Temperature °C		Flow rate at 6 bar with Δp=1 (Nl/min)	Orifice size (mm)	Working ports size
		Filtered and lubricated air or not	10 bar	Min. -5°C	Max. +50°C	1350 Nl/min	mm 9

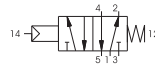


Pneumatic - Spring

Ordering code	263C.52.00.19
CONNECTIONS "A"	1 = G3/8" 5 = G1/4" 8 = quick fitting tube Ø10



Weight gr. 185
Minimum piloting pressure 2 bar

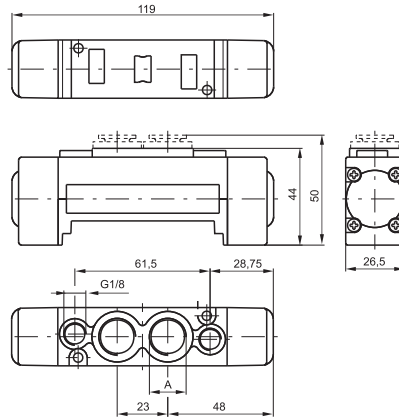


For dimension "A" see ordering code

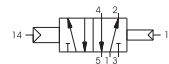
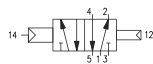
Operational characteristic	Fluid	Max working pressure (bar)	Temperature °C		Flow rate at 6 bar with Δp=1 (NI/min)	Orifice size (mm)	Working ports size	Pilot ports size
	Filtered and lubricated air or not	10 bar	Min. -5°C	Max. +50°C				
					1500 NI/min	mm 9	G1/4" - G3/8" tube Ø10	M5

Pneumatic - Differential / Differential external

Ordering code	263C.52.00.P
CONNECTIONS "A"	1 = G3/8" 5 = G1/4" 8 = quick fitting tube Ø10
PILOTING	16 = Pneum. - Diff./al 17 = Pneum. - Diff./al ext.



Weight gr. 185
Minimum piloting pressure 2 bar

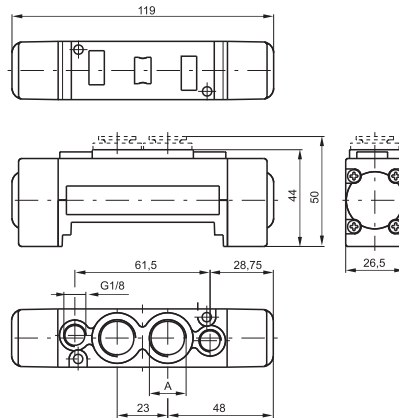


For dimension "A" see ordering code

Operational characteristic	Fluid	Max working pressure (bar)	Temperature °C		Flow rate at 6 bar with Δp=1 (NI/min)	Orifice size (mm)	Working ports size	Pilot ports size
	Filtered and lubricated air or not	10 bar	Min. -5°C	Max. +50°C				
					1500 NI/min	mm 9	G1/4" - G3/8" tube Ø10	M5

Pneumatic - Pneumatic

Ordering code	263C.52.00.18
CONNECTIONS "A"	1 = G3/8" 5 = G1/4" 8 = quick fitting tube Ø10



Weight gr. 185
Minimum piloting pressure 1,5 bar

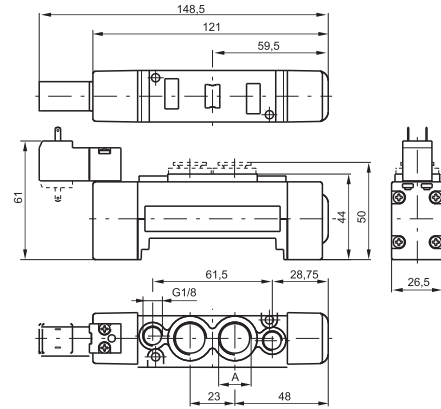


For dimension "A" see ordering code

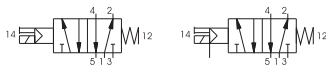
Operational characteristic	Fluid	Max working pressure (bar)	Temperature °C		Flow rate at 6 bar with Δp=1 (NI/min)	Orifice size (mm)	Working ports size	Pilot ports size
	Filtered and lubricated air or not	10 bar	Min. -5°C	Max. +50°C				
					1500 NI/min	mm 9	G1/4" - G3/8" tube Ø10	M5

Miniature solenoid - Spring / Differential

Ordering code	
263 C 52.00. P V	
CONNECTIONS "A"	
C	1 = G3/8" 5 = G1/4" 8 = quick fitting tube Ø10
PILOTING	
	39 = Sv. - Spring 29 = Sv. ext. - Spring P 36 = Sv. - Diff./al 37 = Sv. ext. - Diff./al ext. 26 = Sv. ext. - Diff./al 27 = Sv. ext. - Diff./al ext.
COIL VOLTAGE	
V	01 = 12V DC 02 = 24V DC 05 = 24V AC 06 = 110V AC 07 = 220V AC 08 = 24V DC 1 Watt 09 = 24V DC Earth Faston 11 = 12V DC Downward 12 = 24V DC Downward 15 = 24V AC Downward 16 = 110V AC Downward 17 = 220V AC Downward 18 = 24V DC 1 Watt Downward 19 = 24V DC Earth Faston Downward



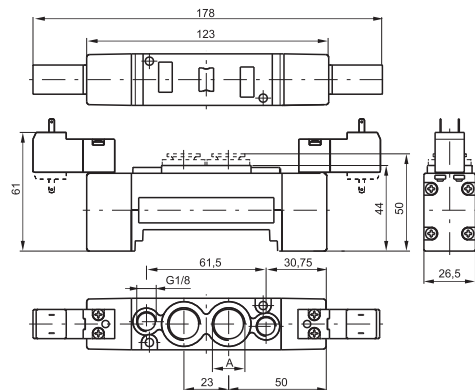
Weight gr. 220
Minimum working pressure 2 bar - For dimension "A" see ordering code



Operational characteristic	Fluid	Max working pressure (bar)	Temperature °C		Flow rate at 6 bar with Δp=1 (NI/min)	Orifice size (mm)	Working ports size
		Filtered and lubricated air or not	10 bar	Min. -5°C	Max. +50°C	1500 NI/min	mm 9

Miniature solenoid - Miniature solenoid

Ordering code	
263 C 52.00. P V	
CONNECTIONS "A"	
C	1 = G3/8" 5 = G1/4" 8 = quick fitting tube Ø10
PILOTING	
P	35 = Sv. - Sv. 24 = Sv. ext. - Sv. ext.
COIL VOLTAGE	
V	01 = 12V DC 02 = 24V DC 05 = 24V AC 06 = 110V AC 07 = 220V AC 08 = 24V DC 1 Watt 09 = 24V DC Earth Faston 11 = 12V DC Downward 12 = 24V DC Downward 15 = 24V AC Downward 16 = 110V AC Downward 17 = 220V AC Downward 18 = 24V DC 1 Watt Downward 19 = 24V DC Earth Faston Downward



Weight gr. 250
Minimum working pressure 1,5 bar - For dimension "A" see ordering code



Operational characteristic	Fluid	Max working pressure (bar)	Temperature °C		Flow rate at 6 bar with Δp=1 (NI/min)	Orifice size (mm)	Working ports size
		Filtered and lubricated air or not	10 bar	Min. -5°C	Max. +50°C	1500 NI/min	mm 9



Pneumatic - Pneumatic

Ordering code

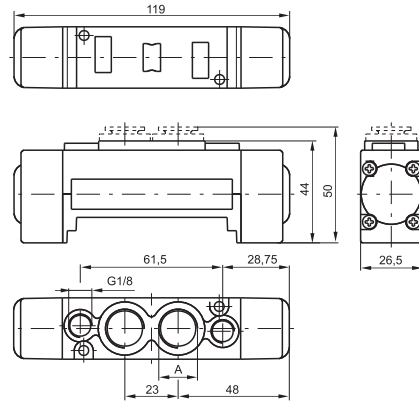
263 **C**. **53**. **F**. **18**

CONNECTIONS "A"

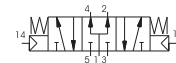
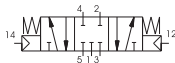
- C** 1 = G3/8"
- 5 = G1/4"
- 8 = quick fitting tube Ø10

FUNCTION

- F** 31 = Closed centres
- 32 = Open centres
- 33 = Pressured centres



Weight gr. 195 - Minimum working pressure 3 bar



For dimension "A" see ordering code

Operational characteristic	Fluid	Max working pressure (bar)	Temperature °C		Flow rate at 6 bar with Δp=1 (NI/min)	Orifice size (mm)	Working ports size	Pilot ports size
		Filtered and lubricated air or not	10 bar	Min. -5°C	Max. +50°C	1350 NI/min	mm 9	G1/8"-G1/4" tube Ø6-tube Ø8

Miniature solenoid - Miniature solenoid

Ordering code

263 **C**. **53**. **F**. **P**. **V**

CONNECTIONS "A"

- C** 1 = G3/8"
- 5 = G1/4"
- 8 = quick fitting tube Ø10

FUNCTION

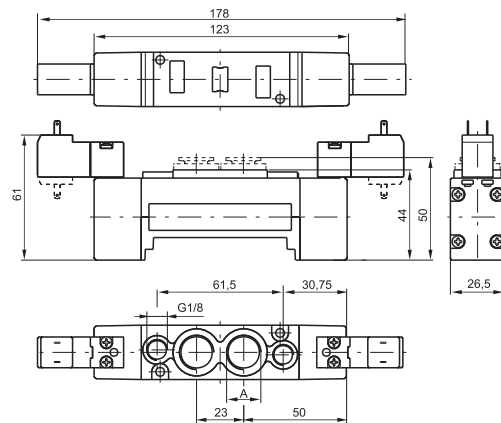
- F** 31 = Closed centres
- 32 = Open centres
- 33 = Pressured centres

PILOTING

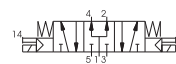
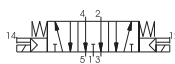
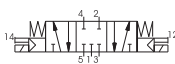
- P** 24 = Sv. ext. - Sv. ext.
- 35 = Sv. - Sv.

COIL VOLTAGE

- V** 01 = 12V DC
- 02 = 24V DC
- 05 = 24V AC
- 06 = 110V AC
- 07 = 220V AC
- 08 = 24V DC 1 Watt
- 09 = 24V DC Earth Faston
- 11 = 12V DC Downward
- 12 = 24V DC Downward
- 15 = 24V AC Downward
- 16 = 110V AC Downward
- 17 = 220V AC Downward
- 18 = 24V DC 1 Watt Downward
- 19 = 24V DC Earth Faston Downward



Weight gr. 270 - Minimum working pressure 3 bar

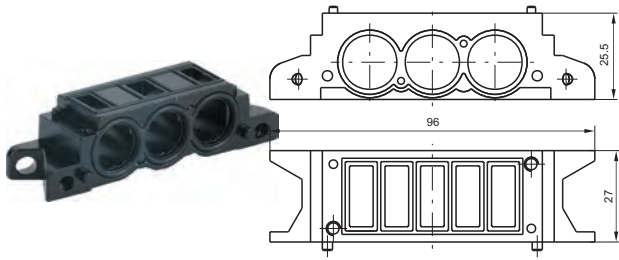


For dimension "A" see ordering code

Operational characteristic	Fluid	Max working pressure (bar)	Temperature °C		Flow rate at 6 bar with Δp=1 (NI/min)	Orifice size (mm)	Working ports size
		Filtered and lubricated air or not	10 bar	Min. -5°C	Max. +50°C	1350 NI/min	mm 9

Modular base

Right inlet base



Ordering code

2630.01

Weight gr. 80

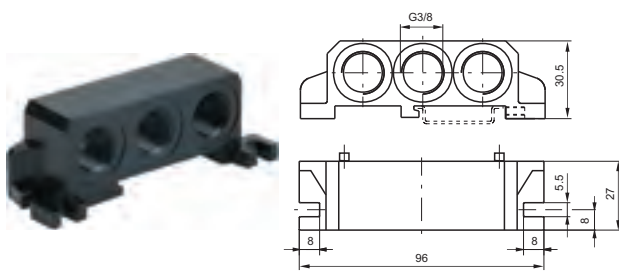
Ordering code

2630.02

Weight gr. 80

Left inlet base

Intermediate air intake



Ordering code

2630.03

Weight gr. 100

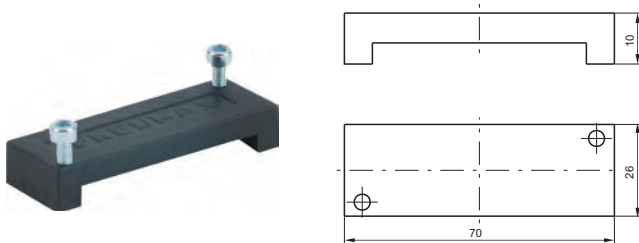
Ordering code

2630.10

Weight gr. 60
to be assembled of a valve

Closing plate

Diaphragm plug



Ordering code

2630.00

Weight gr. 20

Ordering code

2630.17

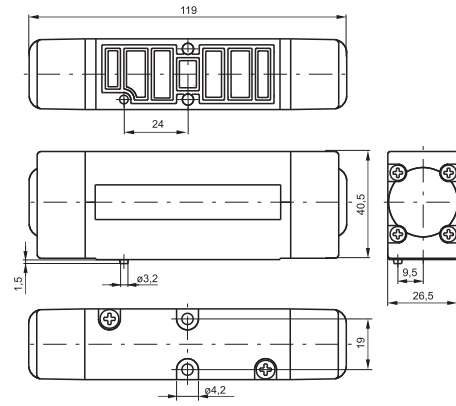
Weight gr. 5

2

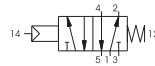
Pneumatic - Spring

Ordering code

2645.52.00.19



Weight gr. 235
Minimum piloting pressure 2 bar



Operational characteristic

Operational characteristic	Fluid	Max working pressure (bar)	Temperature °C		Flow rate at 6 bar with $\Delta p=1$ (NI/min)	Orifice size (mm)
	Filtered and lubricated air or not	10 bar	Min. -5°C	Max. +50°C	1100 NI/min	mm 7,5

Pneumatic - Differential / Differential external

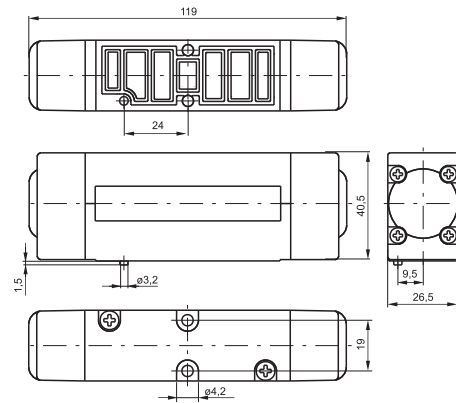
Ordering code

2645.52.00.P

PILOTING

16 = Pneumatic - Differential

17 = Pneumatic - Differential external



Weight gr. 235
Minimum piloting pressure 2 bar



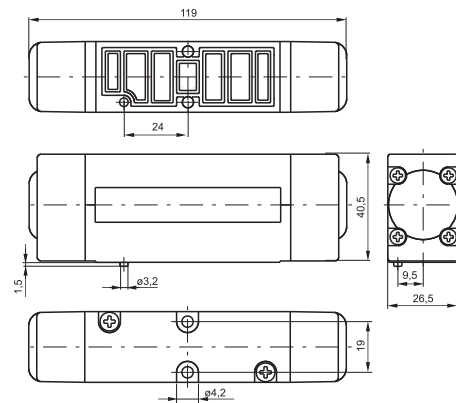
Operational characteristic

Operational characteristic	Fluid	Max working pressure (bar)	Temperature °C		Flow rate at 6 bar with $\Delta p=1$ (NI/min)	Orifice size (mm)
	Filtered and lubricated air or not	10 bar	Min. -5°C	Max. +50°C	1100 NI/min	mm 7,5

Pneumatic - Pneumatic

Ordering code

2645.52.00.18



Weight gr. 255
Minimum piloting pressure 1,5 bar

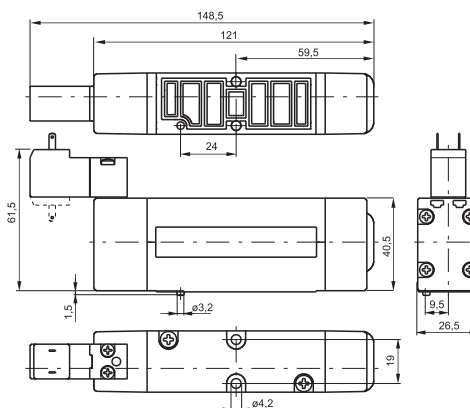


Operational characteristic

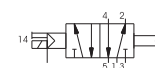
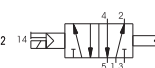
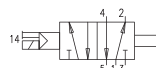
Operational characteristic	Fluid	Max working pressure (bar)	Temperature °C		Flow rate at 6 bar with $\Delta p=1$ (NI/min)	Orifice size (mm)
	Filtered and lubricated air or not	10 bar	Min. -5°C	Max. +50°C	1100 NI/min	mm 7,5

Miniature solenoid - Spring / Differential

Ordering code	
264 T 52.00. P V	
TYPE ELECTROPILOT EXHAUST	
T	1=on base (only for self feeding valves) 5=on pilot (for all version)
PILOTING	
P	39 = Sv. - Spring 29 = Sv. ext. - Spring 36 = Sv. - Diff./al 37 = Sv. ext. - Diff./al ext. 26 = Sv. ext. - Diff./al 27 = Sv. ext. - Differ. ext.
COIL VOLTAGE	
V	01 = 12V DC 02 = 24V DC 05 = 24V AC 06 = 110V AC 07 = 220V AC 08 = 24V DC 1 Watt 09 = 24V DC Earth Faston 11 = 12V DC Downward 12 = 24V DC Downward 15 = 24V AC Downward 16 = 110V AC Downward 17 = 220V AC Downward 18 = 24V DC 1 Watt Downward 19 = 24V DC Earth Faston Downward



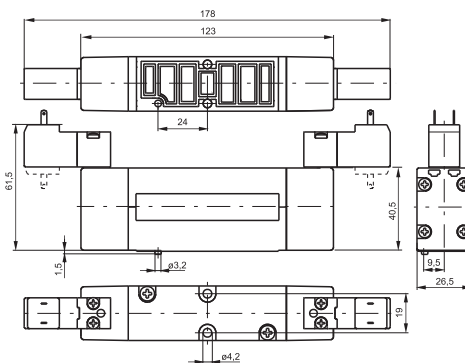
Miniature solenoid - Spring / Differenzial: Weight gr. 270 - Minimum working pressure 2 bar



Operational characteristic	Fluid	Max working pressure (bar)	Temperature °C		Flow rate at 6 bar with Δp=1 (NI/min)	Orifice size (mm)
	Filtered and lubricated air or not	10 bar	Min. -5°C	Max. +50°C	1100 NI/min	mm 7,5

Miniature solenoid - Miniature solenoid

Ordering code	
264 T 52.00. P V	
TYPE ELECTROPILOT EXHAUST	
T	1=on base (only for self feeding valves) 5=on pilot (for all version)
PILOTING	
P	35 = Sv. - Sv. 24 = Sv. ext. - Sv. ext.
COIL VOLTAGE	
V	01 = 12V DC 02 = 24V DC 05 = 24V AC 06 = 110V AC 07 = 220V AC 08 = 24V DC 1 Watt 09 = 24V DC Earth Faston 11 = 12V DC Downward 12 = 24V DC Downward 15 = 24V AC Downward 16 = 110V AC Downward 17 = 220V AC Downward 18 = 24V DC 1 Watt Downward 19 = 24V DC Earth Faston Downward



Miniature solenoid - Miniature solenoid: Weight gr. 305 - Minimum working pressure 1,5 bar



Operational characteristic	Fluid	Max working pressure (bar)	Temperature °C		Flow rate at 6 bar with Δp=1 (NI/min)	Orifice size (mm)
	Filtered and lubricated air or not	10 bar	Min. -5°C	Max. +50°C	1100 NI/min	mm 7,5



Pneumatic - Pneumatic

Ordering code

264⊙.53.Ⓕ.18

TYPE ELECTROPILOT EXHAUST

T 1=on base (only for self feeding valves)

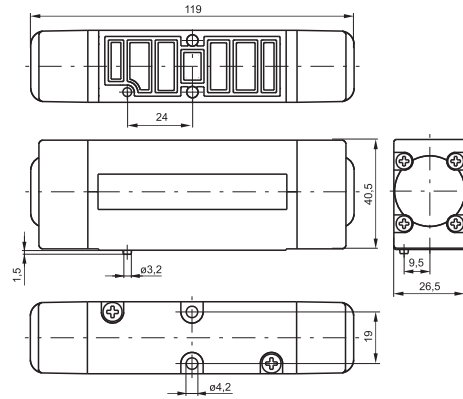
5=on pilot (for all version)

FUNCTION

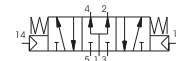
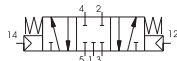
F 31 = Closed centres

32 = Open centres

33 = Pressured centres



Weight gr. 245 - Minimum working pressure 3 bar



Operational characteristic	Fluid	Max working pressure (bar)	Temperature °C		Flow rate at 6 bar with Δp=1 (NI/min)	Orifice size (mm)
	Filtered and lubricated air or not		10 bar	Min. -5°C	Max. +50°C	1000 NI/min

Miniature solenoid - Miniature solenoid

Ordering code

264⊙.53.Ⓕ.Ⓐ.⒱

TYPE ELECTROPILOT EXHAUST

T 1=on base (only for self feeding valves)

5=on pilot (for all version)

FUNCTION

F 31 = Closed centres

32 = Open centres

33 = Pressured centres

PILOTING

P 24 = Sv. ext. - Sv. ext.

35 = Sv. - Sv.

COIL VOLTAGE

01 = 12V DC

02 = 24V DC

05 = 24V AC

06 = 110V AC

07 = 220V AC

08 = 24V DC 1 Watt

V 09 = 24V DC Earth Faston

11 = 12V DC Downward

12 = 24V DC Downward

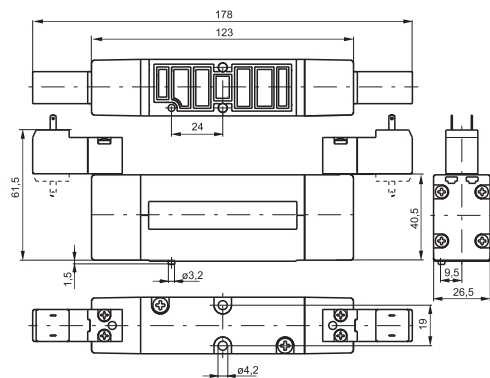
15 = 24V AC Downward

16 = 110V AC Downward

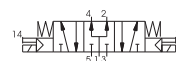
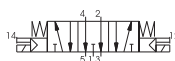
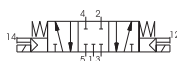
17 = 220V AC Downward

18 = 24V DC 1 Watt Downward

19 = 24V DC Earth Faston Downward



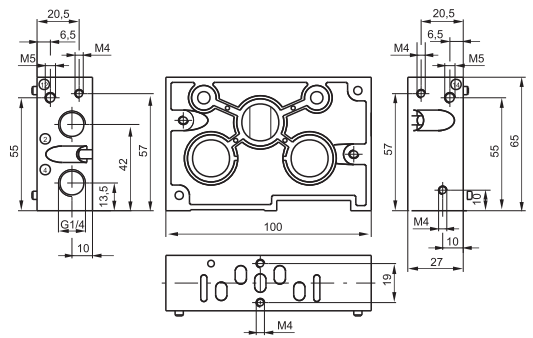
Weight gr. 315 - Minimum working pressure 3 bar



Operational characteristic	Fluid	Max working pressure (bar)	Temperature °C		Flow rate at 6 bar with Δp=1 (NI/min)	Orifice size (mm)
	Filtered and lubricated air or not		10 bar	Min. -5°C	Max. +50°C	1000 NI/min

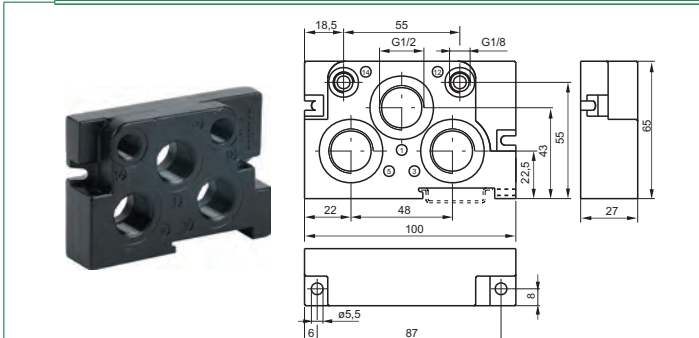
Modular base

Ordering code
2640.V
VERSION
01 = standard base
11 = for single separate inlet



Weight gr. 220

Right inlet base

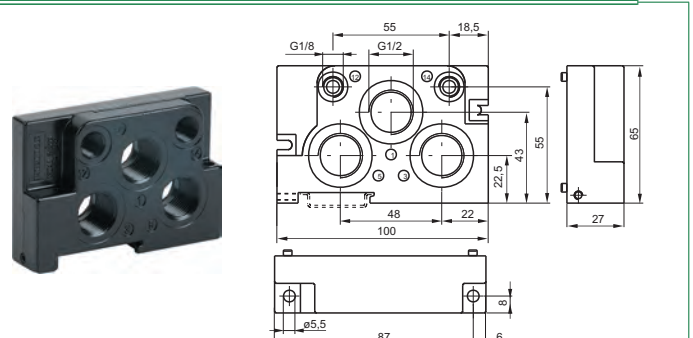


Ordering code

2640.02

Weight gr. 200

Left inlet base



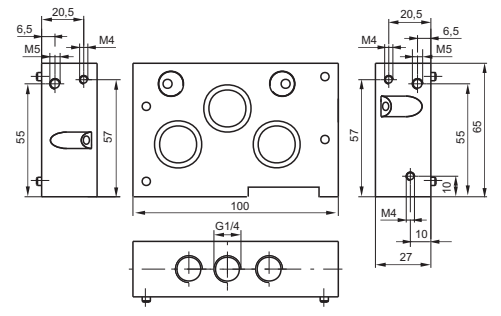
Ordering code

2640.03

Weight gr. 200

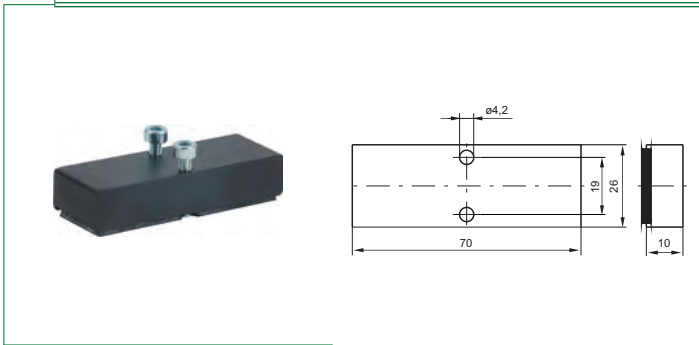
Intermediate air intake

Ordering code
2640.10



Weight gr. 380

Closing plate



Ordering code

2640.00

Weight gr. 50

Diaphragm plug



Ordering code

2640.17

Weight gr. 10

