



PNEUMAX



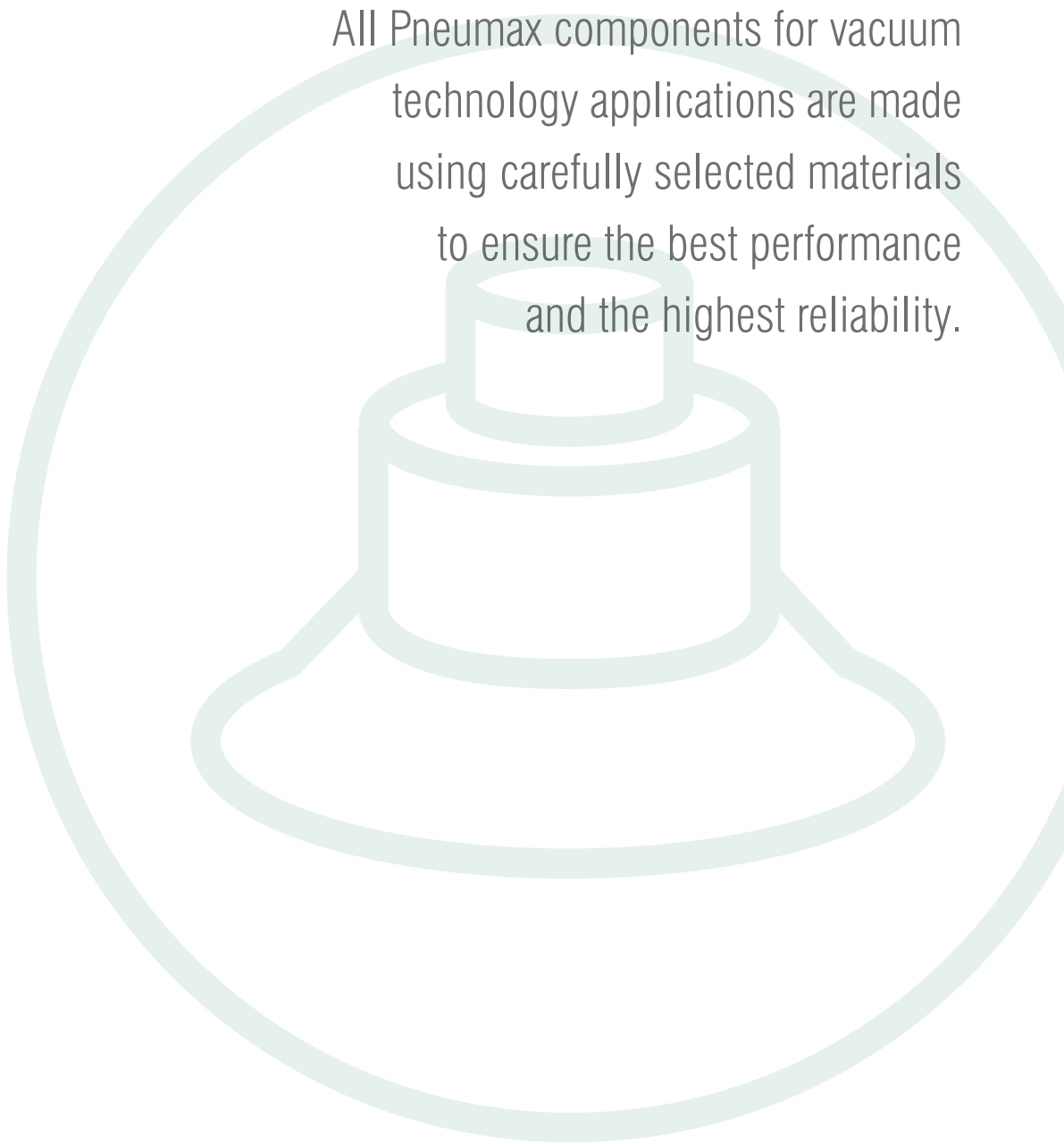
VACUUM TECHNOLOGY

CATALOGUE

Vacuum Technology Catalogue

Reliability, technology
and quality of materials

All Pneumax components for vacuum technology applications are made using carefully selected materials to ensure the best performance and the highest reliability.



Pneumax

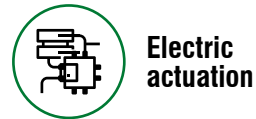
Smart Technologies and Human Competence

Founded in 1976, **Pneumax S.p.A.** is today one of the leading international manufacturers of components and systems for automation.

It is at the forefront of a Group comprised of 25 companies, with over 730 employees worldwide.

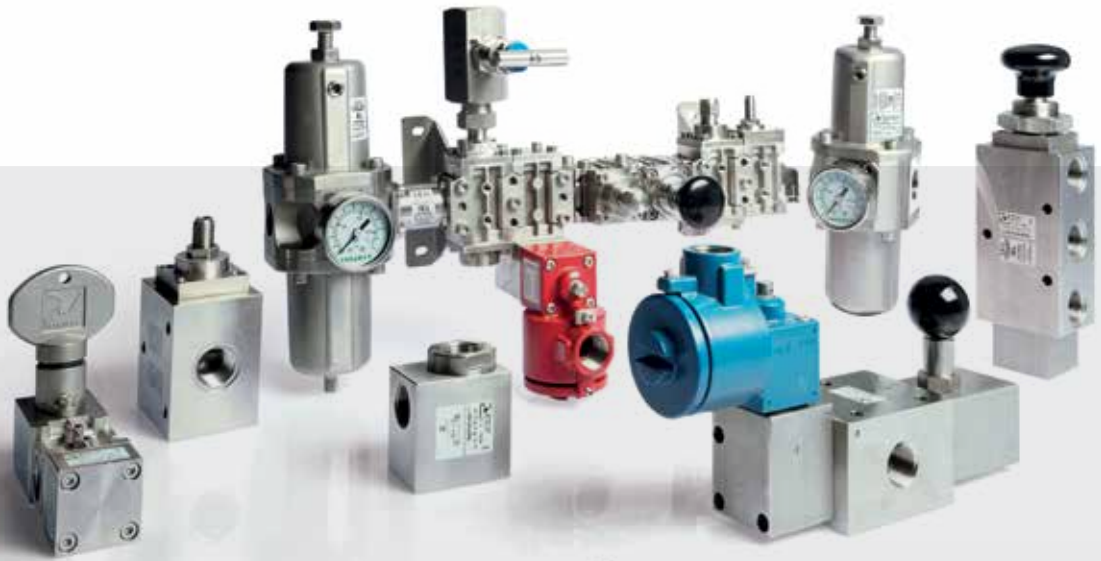
Ongoing investment in research and development has allowed **Pneumax** to continually expand its range of standard products and customized solutions including pneumatic components and systems, electric actuators and fluid control components.

The desire to provide the service and specific application skills has led to the creation of 3 business units, dedicated to Industrial Automation, Process Automation and Automotive sector.

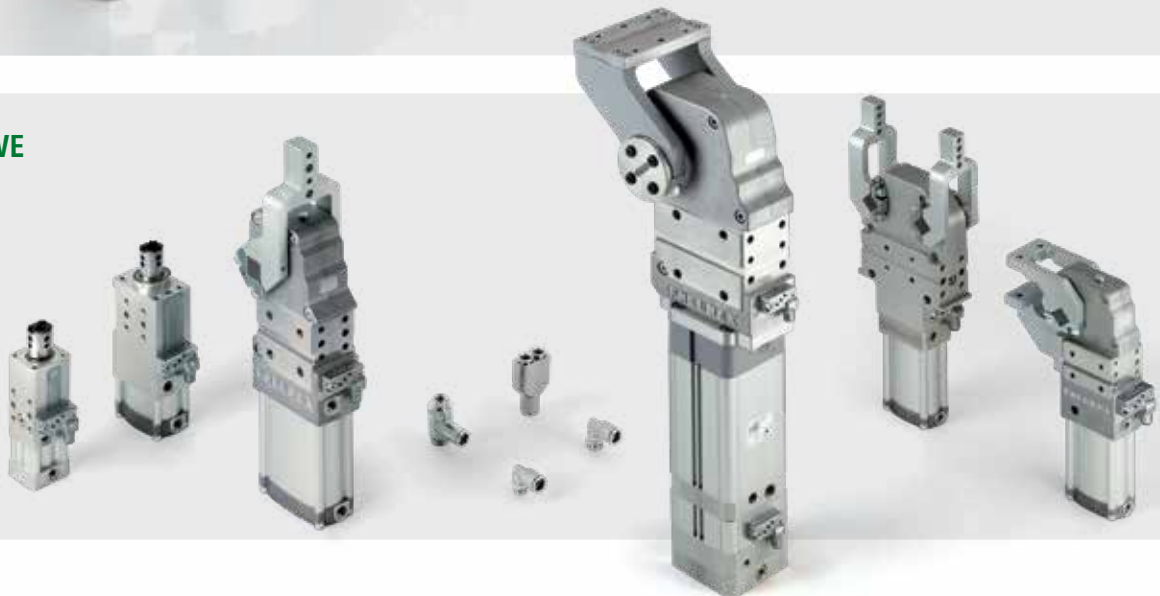


INDUSTRIAL AUTOMATION

**PROCESS
AUTOMATION
TECHNOLOGY**



AUTOMOTIVE



The ability to provide various technologies and solutions for each of our clients applications is the main objective of the Company, making Pneumax the ideal strategic partner.

What defines us is the “**Pneumax Business Attitude**”, born out of the capacity to combine industry sectors, technology and our application skills via the clients collaboration with our business and product specialists. The most effective solutions are studied around the TCO (Total cost of ownership) related to the entire life cycle of the product.

This represents the main Pneumax distinguishing factor.



Index

Vacuum technology

Introduction

Vacuum technique 6

Suction cups 10



Available in different shapes and materials, each one of which can meet a number of existing application requirements of the most demanding industrial sectors.

Series 1900 10

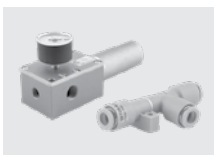
Level compensators 22



Range of compensators with external or internal spring, available in the anti-rotation version to guarantee maximum precision and reliability in positioning.

Series 1900 23

Vacuum generators 26



Single stage vacuum generators

Single-stage generators, robust and reliable, with compact dimensions and suitable for applications which need the required degree of vacuum to be reached quickly with high flow rates.

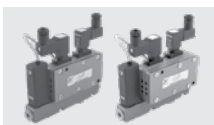
Series 1900 28



Multistage vacuum generators

Compact generators, composed of several modules according to the required performance to obtain high suction capacity with low consumption and high vacuum degrees.

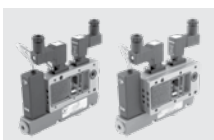
Series 1900 58



Multifunction vacuum generators

Separate vacuum units that can control a complete vacuum gripping system.

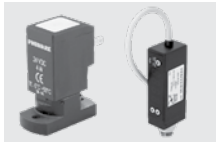
Series 1900 69



Multifunction modular vacuum generators

The intermediate "ME" multistage and multifunction vacuum generators are not autonomous and must be hooked up to the "SE" units to operate.

Series 1900 74



Accessories and spare parts for multifunction vacuum generators “SE” - “ME”

| | |
|-------------|-----------|
| Series 1900 | 80 |
|-------------|-----------|

Valves and solenoid valves

82



Shut-off valves

Non-return valves that can close the suction line in the event of air leakage from the suction cup that is not located on the workpiece or that is not completely adherent to it.

| | |
|-------------|-----------|
| Series 1900 | 84 |
|-------------|-----------|



Valves and solenoid valves poppet system

Valves and solenoid valves poppet system for high flow rates, for vacuum.

| | | | |
|-----------------|-----------|-------------|------------|
| Series 700 | 85 | Series T771 | 100 |
| Series T772-773 | 92 | Series N776 | 105 |



Solenoid coils

| | |
|--|------------|
| For Series 771, 772, 773, 779, T772, T773, T771 and N776 | 108 |
|--|------------|



Pad valves

Pad valves, are one of the more functional and cost effective solutions, for intercepting fluids. PVV series is specifically designed for large suction capacities.

| | | | |
|------------|------------|------------|------------|
| Series PVA | 110 | Series PVV | 112 |
|------------|------------|------------|------------|

Regulators

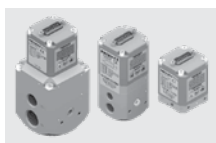
114



Manual regulator

Precision in keeping the vacuum regulated for applications that require stability and accuracy.

| | |
|-------------|------------|
| Series 1700 | 115 |
|-------------|------------|



Proportional regulators

Electronic proportional pressure regulator with closed Loop. Air-vacuum and vacuum-vacuum versions.

| | | | |
|------------------------|------------|---------------------------|------------|
| Air-vacuum Series 1900 | 116 | Vacuum-vacuum Series 1900 | 122 |
|------------------------|------------|---------------------------|------------|

Accessories and instruments

126



Vacuum switch, vacuum gauge, silencers and filters.

| | | | |
|-----------|------------|-------------|------------|
| Series DS | 126 | Series 1900 | 131 |
|-----------|------------|-------------|------------|

VACUUM TECHNIQUE

“The vacuum is an experimentally attainable state”, as it is defined in physics. By vacuum, we mean a space completely void of matter, “called absolute vacuum”. In practice, this state is unattainable, so when we say vacuum, we mean that the air pressure inside an environment is lower than atmospheric pressure, or when the density of the particles in the air is lower. With the expressions “Vacuum”, “suction”, “negative pressure”, etc., we are referring to a pressure below atmospheric pressure, due to the weight of the overlying air. At sea level, this pressure is equal to 1013 mBar.



Degree of Vacuum

Depending on whether the pressure is higher or lower than atmospheric pressure, the phenomena that occur can vary considerably, and thus the means of achieving and measuring such pressure also varies. Usually we distinguish between different degrees of vacuum that are referred to by specific names as a function of the various intervals of sub-atmospheric pressure, as indicated below:

- 1) Low vacuum
- 2) Medium vacuum
- 3) High vacuum
- 4) Ultra high vacuum
- 5) Extreme high vacuum

In the industrial field, the vacuum is subdivided into three areas of application, which depend on the degree of vacuum required:

Low vacuum: This term means a degree of vacuum between 0 and -20 KPa inclusive, most often used in applications where high air flow suction is required. In this industrial segment, electromechanical impeller pumps, side channel blowers, vacuum generators etc.

Industrial Vacuum: this term refers to a degree of vacuum between -20 and -99 KPa inclusive. This range

includes many of the applications where the vacuum is produced mainly by vacuum generators based on the Venturi principle, powered by compressed air and by vacuum pumps of the rotary vane, liquid ring, piston and hook-and-claw types, all driven by electric motors.

Process Vacuum: This is a degree of vacuum higher than -99 KPa, where the main generators of this degree of vacuum are the two-stage rotary vane pumps, turbo molecular pumps, diffusion pumps, cryogenic pumps, etc., all driven by electric motor.

The highest value of vacuum reached on earth is still far from the value of an absolute vacuum, which remains a purely theoretical matter. Even in space, so therefore in the absence of an atmosphere, there is a small presence of molecules per cubic metre. The impetus to improve vacuum technologies comes from industry and research. There is a great number of practical applications and highly disparate sectors: vacuum is used in the metallurgical, aerospace and food industries, in particle accelerators, in microelectronics, in the glass and ceramics industry, in industrial robotics, in moving and handling with suction cups, etc.

Examples of application



- **Robotics**

Handling auto parts for the automotive sector, Palletisation in packaging sector, handling sheets of glass, marble and wood panels.

- **Food packaging**

Vacuum packaging of food in modified atmosphere

- **Cardboard box forming**

With the help of suction cups and vacuum generators, the cardboard boxes can be formed easily and quickly.

- **Transportation of powders and granules**

With vacuum, it is possible to transport powders and granules while avoiding harm to the product and maintaining high standards of hygiene and safety.

- **Vacuum clamping**

With the help of vacuum and proper suction cups, it is possible to clamp products such as wood, marble, glass, fibre composites, onto machining centers.

- **Evaporation and degassing**

Vacuum can be used to lower the boiling point of any liquid, which considerably reduces the time needed to reach that point. In degassing applications, vacuum is used to reduce the gases present in a substance.

These gases may cause bubbles which have an adverse effect on the product.

- **Pick and Place**

Plastic sector, automotive, electronic, printing, packaging.

- **Moving fragile products**

High sensitivity vacuum components are suitable to handling eggs, glass, ceramic parts and electronic components.

- **Vacuum infusion**

Infusion of composite materials is a production process that is becoming increasingly more popular to improve the aesthetic quality of the end product and reduce total manpower costs. The general principle of infusion is to “absorb” the resin into there and in the fabrics to be reinforced by using vacuum technology. The vacuum reduces the pressure at one end of the layers of fabric, allowing the atmosphere to push the resin through all the layers of fabric. The speed and distance at which a stack of fabric can be filled depends on the viscosity of the resin system, permeability of the layers of fabric and pressure gradient that acts on the infused resin.

- **Thermoforming**

Vacuum can be used in the process of thermoforming plastic materials. The preheated sheet of plastic material is placed on the die via suction (vacuum), so as to conform to the relief features of the die.

- **Medical**

Vacuum is used in a number of procedures in the medical sector, such as: dentistry and oral prosthetics, compression therapy and other hospital procedures.

Conversion table for positive pressure

| | Pa (N/m ²) | bar | Kg/cm ² | Torr | psi (lbf/in ²) | kPa | inHg |
|----------------------|------------------------|--------------------------|--------------------------|--------------------------|----------------------------|----------|----------------------|
| 1 Pa | 1 | 0,00001 | 10,1792x10 ⁻⁶ | 7,50062x10 ⁻³ | 0,145038x10 ⁻³ | 0.001 | 0,3x10 ⁻³ |
| 1 kPa | 1000 | 0.01 | 10,1792x10 ⁻³ | 7,50062 | 0,145038 | 1 | 0,3 |
| 1 bar | 100000 | 1 | 1,01972 | 750,062 | 14,5038 | 100 | 30 |
| 1 kg/cm ² | 98066,5 | 0,980665 | 1 | 735,559 | 14,2233 | 98,0665 | 29,42 |
| 1 torr | 133,322 | 1,33322x10 ⁻³ | 1,35951x10 ⁻³ | 1 | 19,3368x10 ⁻³ | 0,133322 | 0,04 |
| 1 Psi | 6894,76 | 68,9476x1 ⁻³ | 70,3096x10 ⁻³ | 51,7149 | 1 | 6,89476 | 2,07 |

Conversion table for negative pressure

| | mbar | kPa | -kPa | %Vuoto | Torr | -mmHg | inHg |
|-----------------|------|-------|-------|--------|------|-------|------|
| Atm | 1013 | 101,3 | 0 | 0 | 760 | 0 | 0 |
| | 913 | 91,3 | 10 | 9,9 | 685 | 75 | 3 |
| | 813 | 81,3 | 20 | 19,7 | 610 | 150 | 6 |
| | 713 | 71,3 | 30 | 29,6 | 535 | 225 | 9 |
| | 613 | 61,3 | 40 | 39,5 | 460 | 300 | 12 |
| | 513 | 51,3 | 50 | 49,3 | 385 | 375 | 15 |
| | 413 | 41,3 | 60 | 59,2 | 310 | 450 | 18 |
| | 313 | 31,3 | 70 | 69,1 | 235 | 525 | 21 |
| | 213 | 21,3 | 80 | 79 | 160 | 600 | 24 |
| 113 | 11,3 | 90 | 89 | 85 | 675 | 27 | |
| Absolute vacuum | 0 | 0 | 101,3 | 100 | 0 | 760 | 30 |

Conversion table of Flow rate per unit of time

| | m ³ /s | m ³ /h | l/min | l/s | ft ³ /min (scfm) |
|-------------------------------|------------------------|-------------------|---------|--------|-----------------------------|
| 1 m ³ /s | 1 | 3600 | 60000 | 1000 | 2118,9 |
| 1 m ³ /h | 0,28x10 ⁻³ | 1 | 16,6667 | 0,2778 | 0,5885 |
| 1 l/min | 16,67x10 ⁻⁴ | 0,06 | 1 | 0,0167 | 0,035 |
| 1 l/s | 1x10 ⁻³ | 3,6 | 60 | 1 | 2,1189 |
| 1 ft ³ /min (scfm) | 0,472x10 ⁻³ | 1,6992 | 28,32 | 0,4720 | 1 |

Suction cups

Suction cups are vacuum accessories that are indispensable whenever it is needed to lifting, clamping or handling manufactured products, sheets or other objects that are “difficult to grip” with traditional gripping means, because they lack handholds, are fragile or are easily deformable.

Correct application of suction cups ensures simple, economical and safe gripping operations, which are critical requirements for the proper execution of any automatic action.

The suction cup adheres to the surface of an object whenever the pressure surrounding it outside (atmospheric pressure) is higher than the pressure existing between the suction cup and the surface of the object.

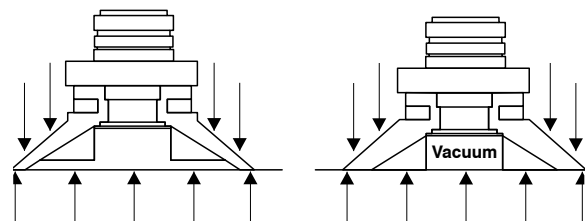
In order to generate low pressure inside the suction cup, the latter may be connected to a vacuum pump.

The lifting force of the suction cup will depend on the degree of vacuum attained by the pump and its capacity to compensate for losses.

The suction cup is an effective, simple and economical system for handling all kinds of shapes and surfaces.

The suction cup itself can have a number of different shapes:

flat, oval, conical bellows with the possibility of adding various accessories, such as filters, shut-off valves, level compensators. Any given suction cup is designed for a specific vacuum movement application.



Applications:











Gripping, handling, lifting, forming, palletising, pick & place, transferring, positioning. The materials that can be managed with suction cups are highly varied, but we can roughly categorise them as follows:

METALS: heavy loads, large sizes, middle frequencies, dirty surfaces.

PLASTIC: light loads, medium to small sizes with irregular shapes, no surface deposits.

WOOD: rough surface, slightly deformed, middle-weight loads, no surface deposits.

Application symbols

| | Applications | Description |
|---|-----------------|--|
|  | Universal | Multipurpose applications, flat or slightly curved surface. |
|  | Packaging | Product packaging and handling of packaged products, mainly used for handling cardboard boxes and interlayers. |
|  | Plastick bag | Gripping and handling of plastic and paper bags, high capacity suction cups are designed to deform and adapt to the characteristics of the bag being picked up or opened. |
|  | Food packaging | Designed for the handling of product within the food industry such as bread, chocolate, brioches etc. High capacity cups are designed to deform and adapt to the characteristics of the product being handled. |
|  | Metal sheet | Sheet metal industry, mainly used for handling, fixing and the processing of metal plate. Particularly suitable for oily surfaces and for handling pieces with lateral force, high slip resistance. |
|  | Stone & Marble | Stone and marble processing industry, mainly for handling marble slabs and bricks. Particularly suitable for uneven surfaces, where a large deformation of the suction cup is required. |
|  | Slip resistance | Suitable for handling material with a smooth surface, prevent side sliding when gripped. |
|  | Rough surface | Suitable for handling material with a rough surface such as sawn wood, marble slabs and bricks. Suction cups with sponge rubber are used in order to better compensate for the irregularity of the surface. |
|  | Long life time | Made with a particular anti-abrasive compound that increases its resistance and longevity. |
|  | Oily surfaces | Special suction cups suitable for oily surfaces |

SUCTION CUPS

Pneumax suction cups are available in different shapes and materials, to meet the application requirements of the most demanding industrial sectors.



Suction cup choice

Suction cup Flat series TP

Suction cup to be used for moving sheets and in those applications where the lifting force is parallel to the gripping plane.

Internal reinforcements improve stability and make this cup suitable for handling heavy objects.

Suction cup Bellows series TS

Suction cup best used in particular for moving light items in those applications where the lifting force is vertical to the gripping plane. The range of the bellows makes it possible to compensate for the irregularity of the surface and height of the object. The long bellows suction cup is best used in applications where it is necessary to pick off and move light products such as: leaves of paper or pieces of cardboard, thin sheets, wood panels, etc.

Due to their greater flexibility, these can be used to compensate for errors of flatness or to grip inclined surfaces, but are not suitable for applications with parallel loads or with a high degree of vacuum.

Suction cup (Plain) Cup series TN

Among the most common types of suction cup, used in sectors of industry where special performance is not required: Handling of objects made of plastic, wood panels, thin sheets of glass and metal, etc. Recommended for vertical movement of heavy objects.

High Grip suction cup

Suction cup with high coefficient of friction, developed for the handling of oily surfaces, such as sheet metal in moulding processes, and also recommended for handling wet marbles and glasses, slabs and loads in general, subject to high accelerations and decelerations during movement. Recommended for the "automotive" sector, available in various sizes and shapes: round and oval flat and round and oval bellows.

Suitable for horizontal and vertical movement.

Foam rubber suction cups

This suction cup allows for the moving and gripping of loads with coarse, very rough or uneven surfaces, such as: textured, nonslip or ribbed/corrugated sheets, and sawn, bush-hammered or flamed marble. Items made of rough concrete, garden walkway tiles and brick in general. Recommended for use with oiled surfaces and to move vertical loads.



Material choice

The material choice depend on the individual application, evaluating as follows:

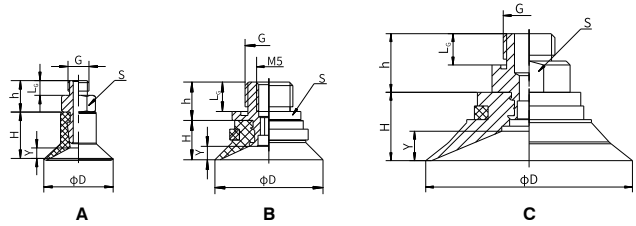
- **Surface roughness of the load to be moved and its temperature.**
- **Weight and dimensions of the load.**
- **The presence of chemical substances, oils, solvents etc. on the gripping surface.**
- **How labour-intensive and complex the work processes are.**
- **How important it is to ensure that no specks exist on the gripping surface.**

Suction cup characteristics and materials

| Material | Temperature °C | Abrasion resistance | Oil resistance | Resistance to weather/ atmospheric agents |
|--------------------------------|----------------|---------------------|----------------|--|
| N NBR | -20 ... +110 | Excellent | Excellent | Good |
| S Silicone | -40 ... +200 | Good | Low | Excellent |
| PU Polyurethane | 10 ... 50 | Excellent | Good | Excellent |
| F Fluorinated rubber | -20 ... +80 | Low | Low | Low |
| E-EPDM | -30 ... +150 | Good | Low | Excellent |

Series 1900

Standard round suction cup



| Code V=Version N=NBR / S=Silicone | Drawing | D | H | G | L _G | h | S | Y |
|---|---------|----|------|-------|----------------|-----|----|-----|
| 19VTN.V.05.008.00 | A | 9 | 7 | M5 | 3.5 | 7.5 | 7 | 2 |
| 19VTN.V.05.010.00 | A | 11 | 10.5 | M5 | 3.5 | 7.5 | 7 | 2 |
| 19VTN.V.18.020.00 | B | 22 | 8 | G1/8" | 6 | 7.8 | 13 | 2.2 |
| 19VTN.V.18.030.00 | B | 32 | 9.5 | G1/8" | 6 | 7.8 | 13 | 4.5 |
| 19VTN.V.18.040.00 | C | 42 | 13 | G1/8" | 6 | 12 | 17 | 5.2 |
| 19VTN.V.14.050.00 | C | 53 | 17.5 | G1/4" | 9 | 17 | 24 | 7 |



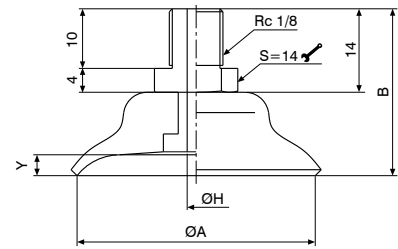
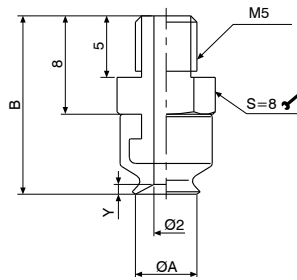
Standard round suction cup, suitable for gripping and moving with vacuum objects with flat or slightly curved surfaces, allows gripping on concave surfaces.

Table of lifting forces

| Code V=Version N=NBR / S=Silicone | Volume cm ³ | Lifting force in vertical direction (N) | | | Lifting force in parallel direction (N) | | | Weight (g) |
|---|------------------------|---|---------|---------|---|--------|---------|------------|
| | | -20 kPa | -60 kPa | -90 kPa | -20 kPa | -60kPa | -90 kPa | |
| 19VTN.V.05.004.00 | 0.03 | 0.198 | 0.885 | 1.275 | 0.198 | 0.78 | 1 | 2.3 |
| 19VTN.V.05.008.00 | 0.1 | 1 | 2.55 | 3.8 | 1 | 2.85 | 3.35 | 2 |
| 19VTN.V.05.010.00 | 0.18 | 1.48 | 4.4 | 6.85 | 1.5 | 4.4 | 4.9 | 2.7 |
| 19VTN.V.18.020.00 | 1 | 5.9 | 12.2 | 16 | 5.9 | 8.8 | 9.8 | 3 |
| 19VTN.V.18.030.00 | 2 | 13 | 25 | 33 | 7.8 | 9.8 | 11 | 4.2 |
| 19VTN.V.18.040.00 | 5.5 | 20 | 37.5 | 60 | 13.8 | 22 | 27.5 | 11 |
| 19VTN.V.14.050.00 | 12 | 35.5 | 74 | 95 | 20 | 37 | 44 | 26.6 |

| Material | Colour | Hardness °Shore A | Working temperature °C |
|----------|--------|-------------------|------------------------|
| NBR | Black | 55 | -20 ... 110 |
| Silicone | Red | 50 | -40 ... 200 |

Cup-style round suction cup



| Code | ØA | B | Y |
|-------------------|----|------|-----|
| 19VTC.N.05.006.00 | 6 | 14.5 | 0.8 |
| 19VTC.N.05.008.00 | 8 | 15 | 1.2 |
| 19VTC.N.05.010.00 | 10 | 15.5 | 1.5 |

| Code | ØA | B | ØH | Y |
|-------------------|----|----|----|-----|
| 19VTC.N.18.015.00 | 15 | 22 | 2 | 1.9 |
| 19VTC.N.18.020.00 | 20 | 24 | 3 | 2.3 |
| 19VTC.N.18.030.00 | 30 | 26 | 3 | 2 |
| 19VTC.N.18.040.00 | 40 | 28 | 3 | 3.5 |
| 19VTC.N.18.050.00 | 50 | 29 | 4 | 4 |



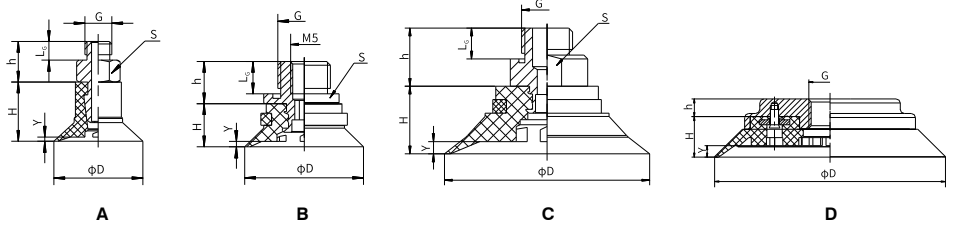
Typical cup-shaped suction cup, suitable for gripping and moving with vacuum objects with flat or slightly curved surfaces, allows gripping on concave surfaces.

Table of lifting forces

| Code | Volume cm ³ | Lifting force in vertical direction (N) | | Weight (g) |
|-------------------|------------------------|---|---------|------------|
| | | -60 kPa | -90 kPa | |
| 19VTC.N.05.006.00 | 0.03 | 0.885 | 1.275 | 2.3 |
| 19VTC.N.05.008.00 | 0.1 | 2.55 | 3.8 | 2 |
| 19VTC.N.05.010.00 | 0.18 | 4.4 | 6.85 | 2.7 |
| 19VTC.N.18.015.00 | 0.9 | 12.2 | 16 | 3 |
| 19VTC.N.18.030.00 | 5 | 37.5 | 60 | 11 |
| 19VTC.N.18.040.00 | 12 | 74 | 95 | 26.6 |
| 19VTC.N.18.050.00 | 15 | 74 | 95 | 26.6 |

| Material | Color | Hardness °Shore A | Working temperature °C |
|----------|-------|-------------------|------------------------|
| NBR | Black | 55 | -20 ... 110 |

▶ Round flat suction cup



| Code V=Version N=NBR / S=Silicone | Drawing | D | H | G | L _s | h | S | Y |
|---|---------|------|------|-------|----------------|-----|----|-----|
| 19VTP.V.05.015.00 | A | 16,5 | 11 | M5 | 3,5 | 7,5 | 7 | 0,8 |
| 19VTP.V.18.020.00 | B | 22 | 8 | G1/8" | 6 | 7,8 | 13 | 1 |
| 19VTP.V.18.025.00 | B | 27 | 9 | G1/8" | 6 | 7,8 | 13 | 1 |
| 19VTP.V.18.030.00 | B | 32 | 10 | G1/8" | 6 | 7,8 | 13 | 1,2 |
| 19VTP.V.18.040.00 | C | 42 | 13 | G1/8" | 6 | 12 | 17 | 1,2 |
| 19VTP.V.14.050.00 | C | 53 | 17,5 | G1/4" | 9 | 17 | 24 | 3,2 |
| 19VTP.V.14.075.00 | D | 77 | 13 | G1/4" | * | 13 | * | 4 |
| 19VTP.V.12.110.00 | D | 112 | 20 | G1/2" | * | 9 | * | 6 |
| 19VTP.V.12.150.00 | D | 152 | 26 | G1/2" | * | 10 | * | 8 |

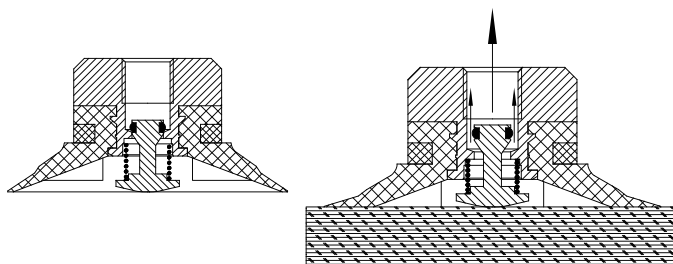
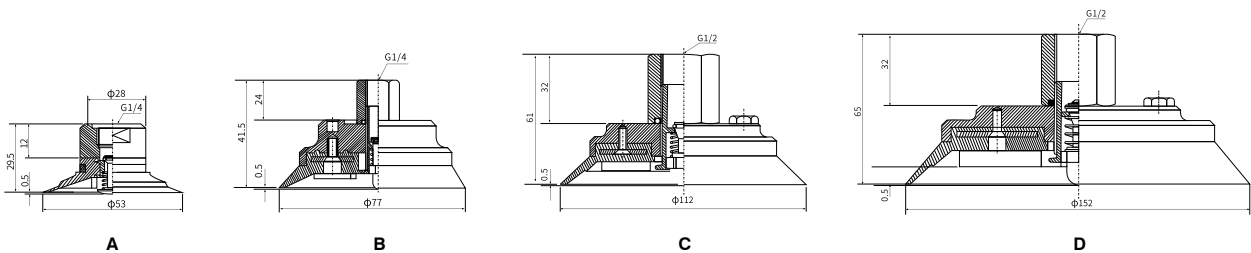


Round flat suction cup, suitable for gripping and moving with vacuum, objects with flat surfaces, offers good stability and minimal displacement. Recommended for applications with force parallel to grip plane, suitable for moving glass, wood, steel and plastic sheets. Internal reinforcements prevent thin objects from deforming and increase friction in applications with forces parallel to grip plane.

| Code V=Version N=NBR / S=Silicone | Volume cm ³ | Lifting force in vertical direction (N) | | | Lifting force in parallel direction (N) | | | Weight (g) |
|---|------------------------|---|---------|---------|---|---------|---------|------------|
| | | -20 kPa | -60 kPa | -90 kPa | -20 kPa | -60 kPa | -90 kPa | |
| | | 19VTP.V.18.020.00 | 1 | 6 | 15 | 18.7 | 5 | |
| 19VTP.V.18.025.00 | 1.1 | 9.2 | 19.3 | 24.9 | 7.95 | 8.95 | 10 | 3.6 |
| 19VTP.V.18.030.00 | 2 | 13 | 24.8 | 30.8 | 11 | 15.98 | 20 | 4.5 |
| 19VTP.V.18.040.00 | 4.8 | 20 | 40 | 50 | 15 | 25 | 29.5 | 11.5 |
| 19VTP.V.14.050.00 | 10 | 37 | 74 | 96 | 24 | 40 | 50 | 27.9 |
| 19VTP.V.14.075.00 | 20 | 80 | 201 | 272 | 60 | 110 | 140 | 121.3 |
| 19VTP.V.12.110.00 | 70 | 141 | 418.5 | 562 | 140 | 248 | 299.7 | 245.3 |
| 19VTP.V.12.150.00 | 160 | 300 | 845 | 1098 | 250 | 600 | 800 | 605 |

| Material | Color | Hardness °Shore A | Working temperature °C |
|----------|-------|-------------------|------------------------|
| NBR | Black | 55 | -20 ... 110 |
| Silicone | Red | 50 | -40 ... 200 |

▶ Round flat suction cup with touch valve

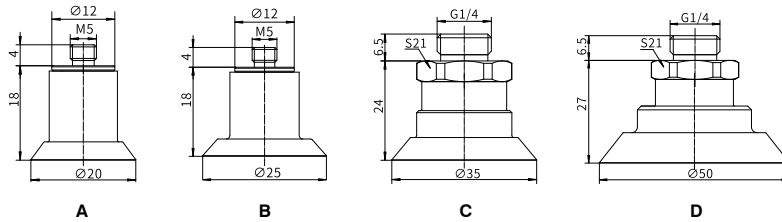


| Code V=Version N=NBR / S=Silicone | Drawing |
|---|---------|
| 19VTP.N.27.050.00 | A |
| 19VTP.N.27.075.00 | B |
| 19VTP.N.28.110.00 | C |
| 19VTP.N.28.150.00 | D |
| 19VTP.S.27.050.00 | A |
| 19VTP.S.27.075.00 | B |
| 19VTP.S.28.110.00 | C |
| 19VTP.S.28.150.00 | D |



When the suction cup is not in contact with the workpiece, the touch valve closes the suction avoiding loss of flow rate.
When the suction cup is not in contact with the workpiece, the touch valve is activated by opening the suction and ensuring normal operation of the suction cup.

Flat round bellows suction cup for plastic film



| Code | Drawing |
|-------------------|---------|
| 19VTF.S.05.020.00 | A |
| 19VTF.S.05.025.00 | B |
| 19VTF.S.14.035.00 | C |
| 19VTF.S.14.050.00 | D |



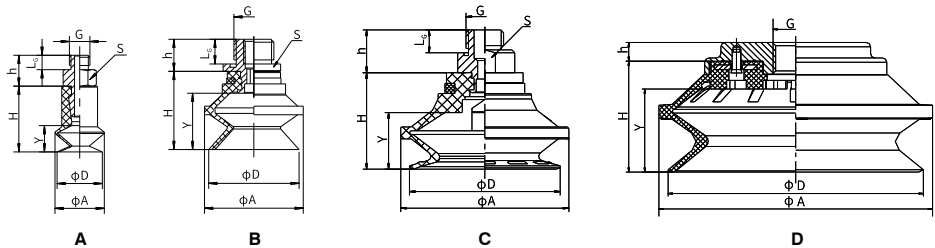
Specially designed for opening plastic bags. Suitable for handling thin and delicate objects, such as plastic films or paper. The thin and adaptable lip together with the internal plugs avoid damages to the film during the suction phase.

SUCTION CUPS

| Code | Volume cm ³ | Lifting force in vertical direction (N) | | Lifting force in parallel direction (N) | | Stroke (mm) | Weight (g) |
|-------------------|------------------------|---|---------|---|---------|-------------|------------|
| | | -60 kPa | -60 kPa | -60 kPa | -60 kPa | | |
| 19VTF.S.05.020.00 | 1 | 10 | 6 | 1,5 | 4,6 | | |
| 19VTF.S.05.025.00 | 1,6 | 25 | 21 | 1,5 | 5,0 | | |
| 19VTF.S.14.035.00 | 2,1 | 38 | 32,5 | 1,5 | 10,0 | | |
| 19VTF.S.14.050.00 | 6 | 92 | 76 | 2 | 25,0 | | |

| Material | Color | Hardness °Shore A | Working temperature °C |
|----------|-------|-------------------|------------------------|
| Silicone | Blue | 40 | -40 ... 200 |

Round bellows suction cup



| Code V=Version N=NBR / S=Silicone | Drawing | D | A | H | G | L _G | h | S | Y |
|---|---------|------|------|------|------|----------------|-----|----|------|
| 19VTS.V.05.005.15 | A | 5,8 | 6,2 | 9,2 | M5 | 3,5 | 7,5 | 7 | 3,6 |
| 19VTS.V.05.010.15 | A | 11 | 12 | 16 | M5 | 3,5 | 7,5 | 7 | 7 |
| 19VTS.V.05.015.15 | A | 15,5 | 17,5 | 19,5 | M5 | 3,5 | 7,5 | 7 | 10 |
| 19VTS.V.18.020.15 | B | 22 | 24 | 19 | G1/8 | 6 | 7,8 | 13 | 9 |
| 19VTS.V.18.030.15 | C | 34 | 36 | 26 | G1/8 | 6 | 12 | 17 | 19 |
| 19VTS.V.18.040.15 | C | 43 | 46 | 28 | G1/8 | 6 | 12 | 17 | 20 |
| 19VTS.V.14.050.15 | C | 53 | 58 | 35 | G1/4 | 9 | 17 | 24 | 20 |
| 19VTS.V.12.075.15 | D | 78 | 83 | 37 | G1/4 | * | 13 | * | 27 |
| 19VTS.V.12.110.15 | D | 115 | 124 | 54 | G1/2 | * | 9 | * | 38,5 |
| 19VTS.V.12.150.15 | D | 155 | 166 | 71 | G1/2 | * | 10 | * | 44,5 |

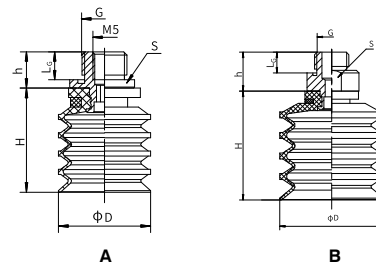


Round bellows suction cup, which, due to its shape, ensures that when in contact with the surface of the load to be lifted and in the presence of vacuum, it rapidly collapses, releasing the load of several millimetres, separately from the movements of the automation system; this rapid movement prevents the load underneath from remaining stuck to the one being lifted. For this reason, suction cups with this feature are recommended in cases where you need to pick off and move sheets of cardboard, fine sheets, wood panels, glass panes etc. and are also recommended for use on curved surfaces. This suction cup is not suitable for handling objects with lifting force parallel to the surface.

| Code V=Version N=NBR / S=Silicone | Volume cm ³ | Lifting force in vertical direction (N) | | | Weight (g) |
|---|------------------------|---|---------|---------|------------|
| | | -20 kPa | -60 kPa | -90 kPa | |
| 19VTS.V.05.005.15 | 0.05 | 0.295 | 0.786 | 0.99 | 2 |
| 19VTS.V.05.010.15 | 0.48 | 1.7 | 3.5 | 5.1 | 2.9 |
| 19VTS.V.05.015.15 | 1.1 | 3.3 | 6 | 8.9 | 3.5 |
| 19VTS.V.18.020.15 | 2.7 | 5.8 | 10.6 | 15 | 5 |
| 19VTS.V.18.030.15 | 10 | 13 | 25 | 28 | 13.6 |
| 19VTS.V.18.040.15 | 15 | 22.5 | 42 | 50.2 | 20.2 |
| 19VTS.V.14.050.15 | 32 | 34 | 65 | 83 | 39.5 |
| 19VTS.V.12.075.15 | 110 | 74 | 166.4 | 226 | 131.3 |
| 19VTS.V.12.110.15 | 310 | 136.5 | 343 | 460.5 | 316.6 |
| 19VTS.V.12.150.15 | 650 | 295 | 686 | 883 | 733.3 |

| Material | Color | Hardness °Shore A | Working temperature °C |
|----------|-------|-------------------|------------------------|
| NBR | Black | 55 | -20 ... 110 |
| Silicone | Red | 50 | -40 ... 200 |

▶ Long bellows suction cup



| Code V = Version N = NBR / S = Silicone | Drawing | D | H | G | L _G | h | S |
|---|---------|----|----|------|----------------|-----|----|
| 19VTS.V.18.020.45 | A | 20 | 23 | G1/8 | 6 | 7,8 | 13 |
| 19VTS.V.18.030.45 | B | 30 | 32 | G1/8 | 6 | 12 | 17 |
| 19VTS.V.18.040.45 | B | 40 | 42 | G1/8 | 6 | 12 | 17 |
| 19VTS.V.14.050.45 | B | 50 | 52 | G1/4 | 9 | 17 | 24 |

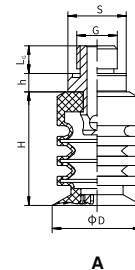
Long bellows suction cup which, due to its shape, makes it possible to compensate for differences in height. Its upward movements are particularly suitable for the separation of thin products, and suitable for handling food packed in plastic bags and for fragile objects. This suction cup is not suitable for handling objects with lifting force parallel to the surface.

Table of lifting forces

| Code V = Version N = NBR / S = Silicone | Volume cm ³ | Lifting force in vertical direction (N) | | Weight (g) |
|---|------------------------|---|---------|------------|
| | | -20 kPa | -60 kPa | |
| 19VTS.V.18.020.45 | 4 | 0.3 | 0.6 | 3.9 |
| 19VTS.V.18.030.45 | 13 | 0.6 | 1.55 | 12.4 |
| 19VTS.V.18.040.45 | 27 | 1.05 | 2.15 | 19.8 |
| 19VTS.V.14.050.45 | 55 | 1.68 | 4.22 | 38.3 |

| Material | Color | Hardness °Shore A | Working temperature °C |
|----------|-------|-------------------|------------------------|
| NBR | Black | 55 | -20 ... 110 |
| Silicone | Red | 50 | -40 ... 200 |

▶ Long bellows suction cup for bags



| Code | Drawing | D | H | h | L _G | G | S |
|-------------------|---------|----|------|---|----------------|------|----|
| 19VTS.S.14.030.35 | A | 30 | 36,5 | 6 | 9 | G1/4 | 19 |
| 19VTS.S.38.040.35 | A | 40 | 40 | 6 | 10 | G3/8 | 22 |
| 19VTS.S.12.050.35 | A | 50 | 55 | 6 | 10 | G1/2 | 28 |

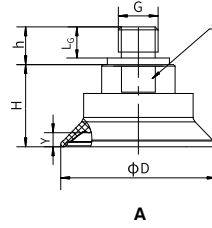
The long bellows suction cup is especially suited for the movement of bags, thanks to its very thin lip and internal notchings, which allow it to ensure secure gripping even with heavy bags that are difficult to lift.

Table of lifting forces

| Code | Volume cm ³ | Lifting force in vertical direction (N) | Weight (g) |
|-------------------|------------------------|---|------------|
| | | -60 kPa | |
| 19VTS.S.14.030.35 | 8.5 | 9 | 17.6 |
| 19VTS.S.38.040.35 | 14 | 15 | 23.6 |
| 19VTS.S.12.050.35 | 26 | 25 | 44.2 |

| Material | Color | Hardness °Shore A | Working temperature °C |
|----------|-------|-------------------|------------------------|
| Silicone | Red | 40 | -40 ... 200 |

High friction round suction cup



A

| Code | Drawing | D | H | G | L _g | h | S | Y |
|-------------------|---------|------|------|------|----------------|------|----|-----|
| 19GTN.N.14.030.00 | A | 32 | 19,5 | G1/4 | 12 | 13,5 | 16 | 2,7 |
| 19GTN.N.14.040.00 | A | 42 | 22 | G1/4 | 12 | 13,5 | 17 | 3,7 |
| 19GTN.N.14.050.00 | A | 52 | 28 | G1/4 | 12 | 13,5 | 22 | 4,7 |
| 19GTN.N.14.060.00 | A | 62,5 | 31 | G1/4 | 12 | 13,5 | 22 | 6 |
| 19GTN.N.14.080.00 | A | 83 | 34,5 | G1/4 | 12 | 13,5 | 22 | 6 |
| 19GTN.N.14.100.00 | A | 102 | 36,5 | G1/4 | 12 | 13,5 | 22 | 9,2 |

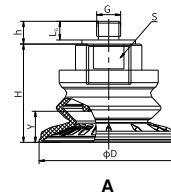


High friction round suction cup suitable for movement of pieces of various size and shape, reinforced internal structure ensures that lifted objects are not deformed and increases friction force in applications with force parallel to the grip plane. The innovative design of the support plane inside the suction cup ensures high coefficient of friction with the grip surface, in particular on very oily sheets or glass panes and very wet marble, thanks to this suction cup's drainage capability. This suction cup is most particularly recommended for applications of handling sheet metal parts in the "automotive" industry. This characteristic means that there is a secure and solid grip by the suction cup and consequently ensures accurate positioning of the load to be moved.

| Code | Volume cm ³ | Lifting force in vertical direction (N) | Lifting force in parallel direction (N) | Lateral force on oily surface (N) | Weight (g) |
|-------------------|------------------------|---|---|-----------------------------------|------------|
| | | -60 kPa | | | |
| | | | | | |
| 19GTN.N.14.030.00 | 1.6 | 45 | 35 | 33 | 28.3 |
| 19GTN.N.14.040.00 | 3.5 | 72 | 54 | 51 | 30.1 |
| 19GTN.N.14.050.00 | 7.5 | 112 | 90 | 86 | 55.4 |
| 19GTN.N.14.060.00 | 12.6 | 145 | 102 | 93 | 62.6 |
| 19GTN.N.14.080.00 | 35 | 288 | 212 | 190 | 81.4 |
| 19GTN.N.14.100.00 | 60 | 445 | 322 | 308 | 96.6 |

| Material | Color | Hardness °Shore A | Working temperature °C |
|----------|--------|-------------------|------------------------|
| NBR | Orange | 60 | -20 ... 110 |

High friction round bellows suction cup



A

| Code | Drawing | D | H | G | L _g | h | S | Y |
|-------------------|---------|------|------|------|----------------|------|----|------|
| 19GTS.N.14.022.15 | A | 22 | 25 | G1/4 | 12 | 13,5 | 16 | 5,5 |
| 19GTS.N.14.030.15 | A | 32 | 28 | G1/4 | 12 | 13,5 | 17 | 9,5 |
| 19GTS.N.14.040.15 | A | 42 | 28,5 | G1/4 | 12 | 13,5 | 17 | 10 |
| 19GTS.N.14.050.15 | A | 52 | 36,2 | G1/4 | 12 | 13,5 | 22 | 11,5 |
| 19GTS.N.14.060.15 | A | 62,5 | 41 | G1/4 | 12 | 13,5 | 22 | 14,5 |
| 19GTS.N.14.080.15 | A | 82 | 49,5 | G1/4 | 12 | 13,5 | 22 | 22,5 |
| 19GTS.N.14.100.15 | A | 103 | 55 | G1/4 | 12 | 13,5 | 22 | 25 |

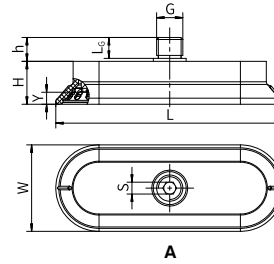


High friction round bellows suction cup suitable for movement of pieces of various size and shape and where level compensation is necessary, such as when withdrawing from loaders. Especially recommended for applications with force parallel to the grip plane. The innovative design of the support plane inside the suction cup ensures high coefficient of friction with the grip surface, in particular on very oily sheets or glass panes and very wet marble, thanks to this suction cup's drainage capability. This feature enables a secure and solid grip by the suction cup and consequently ensures accurate positioning of the load to be moved.

| Code | Volume cm ³ | Lifting force in vertical direction (N) | Lifting force in parallel direction (N) | Lateral force on oily surface (N) | Weight (g) |
|-------------------|------------------------|---|---|-----------------------------------|------------|
| | | -60 kPa | | | |
| | | | | | |
| 19GTS.N.14.022.15 | 1.5 | 23 | 20 | 6.5 | 25.2 |
| 19GTS.N.14.030.15 | 6.3 | 35 | 28 | 12 | 29.5 |
| 19GTS.N.14.040.15 | 7.2 | 62 | 37 | 34 | 30.9 |
| 19GTS.N.14.050.15 | 11.2 | 85 | 58 | 55 | 56.3 |
| 19GTS.N.14.060.15 | 22.5 | 141 | 88 | 83 | 64.4 |
| 19GTS.N.14.080.15 | 57 | 236 | 141 | 136 | 86.4 |
| 19GTS.N.14.100.15 | 92 | 371 | 228 | 221 | 116.6 |

| Material | Color | Hardness °Shore A | Working temperature °C |
|----------|--------|-------------------|------------------------|
| NBR | Orange | 60 | -20 ... 110 |

High friction oval suction cup



| Code | Drawing | L | W | H | G | L _g | h | S | Y |
|-------------------|---------|-----|----|------|------|----------------|------|---|---|
| 19GEN.N.14.JxD.00 | A | 50 | 16 | 19,5 | G1/4 | 12 | 13,5 | 5 | 3 |
| 19GEN.N.14.AxH.00 | A | 84 | 24 | 15,5 | G1/4 | 12 | 13,5 | 5 | 5 |
| 19GEN.N.14.BxL.00 | A | 93 | 33 | 16 | G1/4 | 12 | 13,5 | 5 | 5 |
| 19GEN.N.14.CxN.00 | A | 113 | 43 | 21,5 | G1/4 | 12 | 13,5 | 5 | 6 |
| 19GEN.N.14.FxO.00 | A | 123 | 65 | 18 | G1/4 | 12 | 13,5 | 5 | 6 |

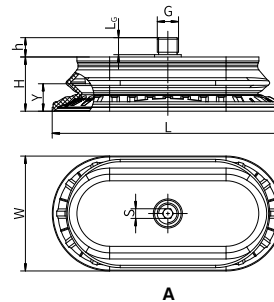


High friction oval suction cup suitable for movement of elongated thin pieces; the reinforced internal structure ensures that lifted objects are not deformed and increases friction force in applications with force parallel to the grip plane. The innovative design of the support plane inside the suction cup ensures high coefficient of friction with the grip surface, in particular on very oily sheets or glass panes and very wet marble, thanks to this suction cup's drainage capability. This suction cup is most particularly recommended for applications of handling sheet metal parts in the "automotive" industry. This feature enables a secure and solid grip by the suction cup and consequently ensures accurate positioning of the load to be moved.

| Code | Volume cm ³ | Lifting force in vertical direction (N) | Lifting force in parallel direction (N) | Lateral force on oily surface (N) | Weight (g) |
|-------------------|------------------------|---|---|-----------------------------------|------------|
| | | -60 kPa | -60 kPa | -60 kPa | |
| 19GEN.N.14.JxD.00 | 2 | 33 | 24 | 12 | 17 |
| 19GEN.N.14.AxH.00 | 5 | 78 | 38 | 35 | 23 |
| 19GEN.N.14.BxL.00 | 10 | 125 | 77 | 60 | 24 |
| 19GEN.N.14.CxN.00 | 25 | 200 | 188 | 118 | 47 |
| 19GEN.N.14.FxO.00 | 35 | 312 | 254 | 170 | 70 |

| Material | Color | Hardness °Shore A | Working temperature °C |
|----------|--------|-------------------|------------------------|
| NBR | Orange | 60 | -20 ... 110 |

Oval high-friction bellows suction cup



| Code | Drawing | L | W | H | G | L _g | h | S | Y |
|-------------------|---------|-----|------|------|------|----------------|------|---|------|
| 19GES.N.14.BxF.15 | A | 62 | 31 | 20 | G1/4 | 12 | 13,5 | 5 | 6 |
| 19GES.N.14.CxH.15 | A | 82 | 41 | 22,7 | G1/4 | 12 | 13,5 | 5 | 8,8 |
| 19GES.N.14.ExN.15 | A | 112 | 57 | 29 | G1/4 | 12 | 13,5 | 5 | 12,5 |
| 19GES.N.14.GxR.15 | A | 143 | 70,5 | 33 | G1/4 | 12 | 13,5 | 5 | 17 |

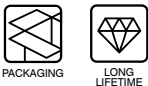
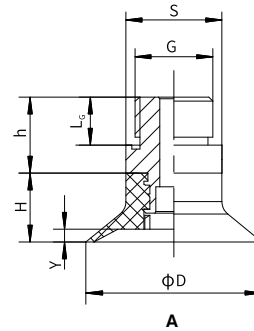


High friction oval bellows suction cup suitable for movement of elongated and thin pieces and where level compensation is necessary, such as in the withdrawal of loaders. Especially recommended for applications with force parallel to the grip plane. The innovative design of the support plane inside the suction cup ensures a high coefficient of friction with the grip surface, in particular on very oily sheets or glass panes and very wet marble, thanks to this suction cup's drainage capability. This feature enables a secure and solid grip by the suction cup and consequently ensures accurate positioning of the load to be moved.

| Code | Volume cm ³ | Lifting force in vertical direction (N) | Lifting force in parallel direction (N) | Lateral force on oily surface (N) | Weight (g) |
|-------------------|------------------------|---|---|-----------------------------------|------------|
| | | -60 kPa | -60 kPa | -60 kPa | |
| 19GES.N.14.BxF.15 | 8,7 | 53 | 60 | 50 | 41,9 |
| 19GES.N.14.CxH.15 | 22 | 110 | 118 | 101 | 51,5 |
| 19GES.N.14.ExN.15 | 57 | 197 | 200 | 183 | 102,1 |
| 19GES.N.14.GxR.15 | 108 | 275 | 295 | 267 | 138,9 |

| Material | Color | Hardness °Shore A | Working temperature °C |
|----------|--------|-------------------|------------------------|
| NBR | Orange | 60 | -20 ... 110 |

Standard round suction cup made of polyurethane



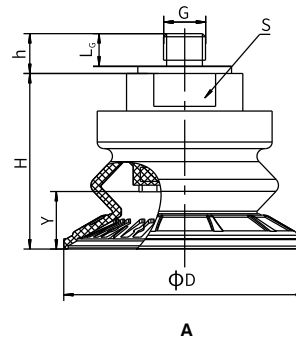
| Code | Drawing | D | H | G | h | L _g | Y | S |
|-------------------|---------|----|------|------|-----|----------------|-----|----|
| 19VTN.P.18.030.00 | A | 31 | 10,5 | G1/8 | 7,8 | 6 | 2 | 13 |
| 19VTN.P.18.040.00 | A | 41 | 14 | G1/8 | 12 | 6 | 2,5 | 17 |

Standard round suction cup made of polyurethane, suitable for gripping and moving with vacuum, objects with flat or slightly curved surfaces, allows gripping on concave surfaces. The big advantage of this suction cup, is that the material it's made of, polyurethane, lasts longer than other materials, has optimum wear resistance, good flexibility and Polyurethane suction cups are mark resistant.

| Code | Volume cm ³ | Lifting force in vertical direction (N) | | | Lifting force in parallel direction (N) | | | Weight (g) |
|-------------------|------------------------|---|---------|---------|---|---------|---------|------------|
| | | -20 kPa | -60 kPa | -90 kPa | -20 kPa | -60 kPa | -90 kPa | |
| | | 19VTN.P.18.030.00 | 2 | 13 | 23 | 33 | 7.8 | |
| 19VTN.P.18.040.00 | 5.5 | 20 | 40 | 60 | 13.8 | 22 | 27.5 | 11.8 |

| Material | Color | Hardness °Shore A | Working temperature °C |
|----------|--------|-------------------|------------------------|
| PU | Yellow | 40 | 10 ... 50 |

Round bellows suction cup made of polyurethane



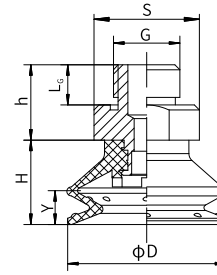
| Code | Drawing | D | H | G | L _g | h | S | Y |
|-------------------|---------|------|------|------|----------------|------|----|------|
| 19VTS.P.14.030.15 | A | 32 | 28 | G1/4 | 12 | 13,5 | 17 | 7 |
| 19VTS.P.14.040.15 | A | 42 | 29 | G1/4 | 12 | 13,5 | 17 | 9 |
| 19VTS.P.14.050.15 | A | 51,5 | 37 | G1/4 | 12 | 13,5 | 22 | 12,5 |
| 19VTS.P.14.060.15 | A | 64 | 41,5 | G1/4 | 12 | 13,5 | 22 | 15 |
| 19VTS.P.14.080.15 | A | 84 | 49,5 | G1/4 | 12 | 13,5 | 22 | 23 |
| 19VTS.P.14.100.15 | A | 103 | 55 | G1/4 | 12 | 13,5 | 22 | 22 |

Round bellows suction cup made of polyurethane, suitable for moving pieces of various sizes and shapes and where level compensation is necessary, such as when withdrawing from loaders. The big advantage of this suction cup, is that the material it's made of, polyurethane, lasts longer than other materials, has optimum wear resistance, good flexibility and optimum tensile strength. Suitable for moving with vacuum steel sheets, glass sheets, cardboard boxes and wood panels.

| Code | Volume cm ³ | Lifting force in vertical direction (N) | | | Lifting force in parallel direction (N) | | | Weight (g) |
|-------------------|------------------------|---|---------|---------|---|---------|---------|------------|
| | | -20 kPa | -60 kPa | -90 kPa | -20 kPa | -60 kPa | -90 kPa | |
| | | 19VTS.P.14.030.15 | 6 | 11 | 60.2 | 91 | 8.4 | |
| 19VTS.P.14.040.15 | 7.2 | 17.5 | 93 | 119.8 | 11.3 | 63.8 | 110.8 | 30.6 |
| 19VTS.P.14.050.15 | 11 | 25 | 128.5 | 157.8 | 20.5 | 94 | 144 | 58.5 |
| 19VTS.P.14.060.15 | 22 | 87.3 | 156.2 | 189.2 | 67 | 125.6 | 165.8 | 67.9 |
| 19VTS.P.14.080.15 | 59.5 | 118.6 | 210.5 | 252.6 | 89 | 167.8 | 221.2 | 89.9 |
| 19VTS.P.14.100.15 | 103.5 | 149 | 269.5 | 310.4 | 111.8 | 209.8 | 276.5 | 135.3 |

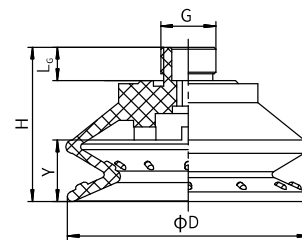
| Material | Color | Hardness °Shore A | Working temperature °C |
|----------|-------|-------------------|------------------------|
| PU | Blu | 70 | 10 ... 50 |

▶ Round bellows suction cup made of polyurethane



A

| Code | Drawing | D | H | G | h | L _G | Y | S |
|-------------------|---------|------|------|------|----|----------------|------|----|
| 19VTS.P.18.030.15 | A | 31,5 | 16,8 | G1/8 | 12 | 6 | 6,6 | 17 |
| 19VTS.P.18.040.15 | A | 42 | 22,4 | G1/8 | 12 | 6 | 8,8 | 17 |
| 19VTS.P.38.050.15 | A | 52,5 | 29,3 | G3/8 | 13 | 10 | 12,3 | 24 |



B

| Code | Drawing | D | H | G | L _G | Y | S |
|-------------------|---------|----|------|------|----------------|------|---|
| 19VTS.P.38.070.15 | B | 73 | 46,5 | G3/8 | 10 | 16,5 | * |

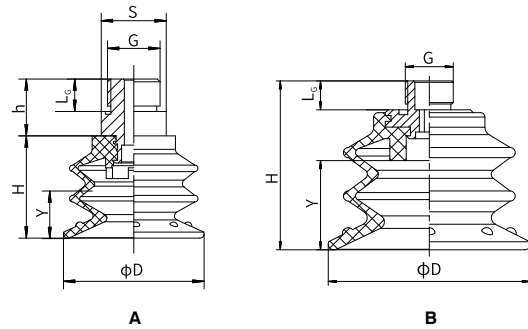


Round bellows suction cup made of polyurethane, suited for movement of pieces of various size and shape and where level compensation is necessary, such as when withdrawing from loaders. The big advantage of this suction cup, is that the material it's made of, polyurethane, lasts longer than other materials, has optimum wear resistance, good flexibility and optimum tensile strength. Polyurethane suction cups are mark resistant.

| Code | Volume cm ³ | Lifting force in vertical direction (N) | | | Weight (g) |
|-------------------|------------------------|---|---------|---------|------------|
| | | -20 kPa | -60 kPa | -90 kPa | |
| 19VTS.P.18.030.15 | 10 | 13 | 30 | 37 | 10.3 |
| 19VTS.P.18.040.15 | 15 | 22.5 | 60 | 75 | 17.3 |
| 19VTS.P.38.050.15 | 32 | 34 | 86 | 100 | 33.4 |
| 19VTS.P.38.070.15 | 108 | 74 | 165 | 225 | 60.6 |

| Material | Color | Hardness °Shore A | Working temperature °C |
|----------|--------|-------------------|------------------------|
| PU | Yellow | 40 | 10 ... 50 |

Round bellows suction cup made of polyurethane



| Code | Drawing | D | H | G | h | L _c | Y | S |
|-------------------|---------|----|------|------|-----|----------------|------|----|
| 19VTS.P.18.020.25 | A | 21 | 14,8 | G1/8 | 7,8 | 6 | 4,5 | 13 |
| 19VTS.P.18.030.25 | A | 30 | 21,3 | G1/8 | 7,8 | 6 | 8 | 13 |
| 19VTS.P.14.040.25 | A | 40 | 28,4 | G1/4 | 12 | 6 | 10,6 | 17 |
| 19VTS.P.38.050.25 | A | 50 | 35,5 | G3/8 | 18 | 10 | 13,4 | 24 |
| 19VTS.P.38.070.25 | B | 70 | 58,5 | G3/8 | * | 10 | 18,6 | * |



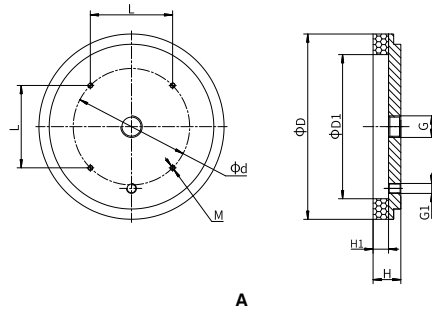
Round bellows suction cup made of polyurethane, suitable for movement of pieces of various size and shape and where level compensation is necessary, such as when withdrawing from loaders. The big advantage of this suction cup, is that the material it's made of, polyurethane, lasts longer than other materials, has optimum wear resistance, good flexibility and optimum tensile strength. Suitable for moving porous objects or ones with an irregular surface, such as cardboard. Polyurethane suction cups are mark resistant.

Table of lifting forces

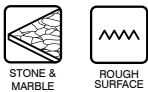
| Code | Volume cm ³ | Lifting force in vertical direction (N) | | | Weight (g) |
|-------------------|------------------------|---|---------|---------|------------|
| | | -20 kPa | -60 kPa | -90 kPa | |
| 19VTS.P.18.020.25 | 1.18 | 4.5 | 7 | 10 | 4.2 |
| 19VTS.P.18.030.25 | 9 | 10 | 19 | 25 | 6.9 |
| 19VTS.P.14.040.25 | 15 | 15 | 32 | 50 | 18.2 |
| 19VTS.P.38.050.25 | 30 | 35 | 58 | 79 | 32.6 |
| 19VTS.P.38.070.25 | 75 | 72 | 125 | 150 | 60.5 |

| Material | Color | Hardness °Shore A | Working temperature °C |
|----------|-------|-------------------|------------------------|
| PU | Green | 55 | 10 ... 50 |

Foam rubber round suction cup



| Code | Drawing | D | D1 | H | H1 | G1 | L | M | d | G |
|-------------------|---------|-----|----|----|----|------|----|------|----|------|
| 19VTN.G.14.040.00 | A | 40 | 20 | 25 | 15 | - | - | - | - | G1/4 |
| 19VTN.G.14.064.00 | A | 64 | 40 | 25 | 15 | - | - | - | 40 | G1/4 |
| 19VTN.G.38.092.00 | A | 92 | 64 | 26 | 15 | - | - | 4-M5 | 70 | G3/8 |
| 19VTN.G.12.127.00 | A | 127 | 92 | 30 | 15 | G1/8 | 70 | 4-M5 | - | G1/2 |

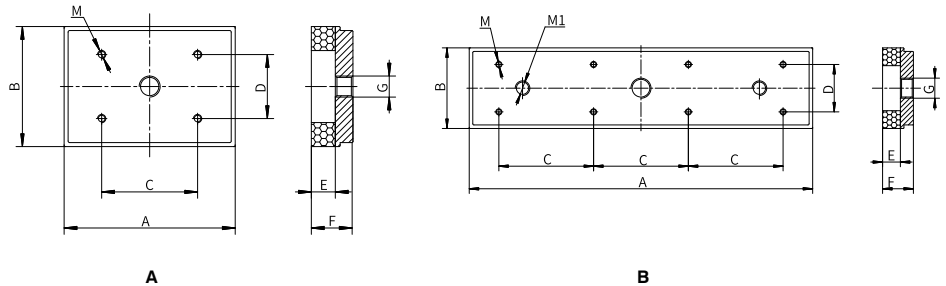


Foam rubber round suction cup is made from a special mixture called "NR", which has a density that allows for gripping even on very rough and irregular surfaces, and allows its elasticity to be maintained even after several working cycles. Especially suited for moving loads with coarse or very rough surfaces such as: sawn, bush-hammered or flamed marble, textured, non-slip or ribbed/corrugated sheets, brick, items made of rough concrete, garden walkway tiles, etc., and in general in all cases where traditional suction cups cannot be used. Recommended for handling loads with lifting force parallel to the surface and for the movement of loads with oiled surfaces.

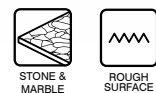
| Code | Lifting force in vertical direction (N) | | Weight (g) |
|-------------------|---|--|------------|
| | -60 kPa | | |
| 19VTN.G.14.040.00 | 7.8 | | 33.4 |
| 19VTN.G.14.064.00 | 35 | | 82.4 |
| 19VTN.G.38.092.00 | 85 | | 197.8 |
| 19VTN.G.12.127.00 | 175 | | 489.3 |

| Material | Color | Hardness °Shore A | Working temperature °C |
|------------------|--------|-------------------|------------------------|
| Foam rubber "NR" | Orange | 30 | -20 ... 80 |

Foam rubber rectangular suction cup



| Code | Drawing | A | B | C | D | E | F | G | M | M1 |
|-------------------|---------|-----|-----|----|-----|----|----|------|------|-------|
| 19VRN.G.14.FxR.00 | A | 135 | 60 | 80 | 40 | 15 | 26 | G1/4 | 4-M5 | - |
| 19VRN.G.14.HxN.00 | A | 107 | 75 | 60 | 40 | 15 | 26 | G1/4 | 4-M5 | - |
| 19VRN.G.12.RxS.00 | B | 290 | 140 | 80 | 100 | 15 | 26 | G1/2 | 8-M5 | 2-M12 |



Foam rubber rectangular suction cup is made from a special mixture called "NR", which has a density that allows for gripping even on very rough and irregular surfaces, and allows its elasticity to be maintained even after several working cycles. Especially suited for movement of loads with coarse or very rough surfaces such as: sawn, bush-hammered or flamed marble, textured, non-slip or ribbed/corrugated sheets, brick, items made of rough concrete, garden walkway tiles, etc. and in general in all cases where traditional suction cups cannot be used. Not recommended for handling loads with lifting force parallel to the surface or for the movement of loads with oiled surfaces.

| Code | Lifting force in vertical direction (N) | | Weight (g) |
|-------------------|---|--|------------|
| | -60 kPa | | |
| 19VRN.G.14.FxR.00 | 80 | | 231,7 |
| 19VRN.G.14.HxN.00 | 90 | | 236,7 |
| 19VRN.G.12.RxS.00 | 706 | | 1175,1 |

| Material | Color | Hardness °Shore A | Working temperature °C |
|------------------|--------|-------------------|------------------------|
| Foam rubber "NR" | Orange | 30 | -20 ... 80 |

LEVEL COMPENSATORS

Range of compensators with external or internal spring. Anti-rotation version is available to guarantee maximum precision and reliability in positioning.

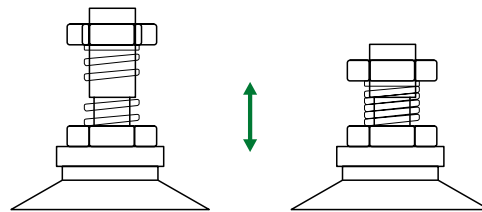


Criteria of choice and functionality

This accessory makes it possible to overcome differences in height that may be found in various applications, for example in lifting systems where the suction cups are fixed to a rigid structure or when a suction cup is used on the arm of an anthropomorphic robot or in a similar system where the items must be accurately positioned at the required height; in addition, the device makes it possible, within certain limits, to absorb pushback.

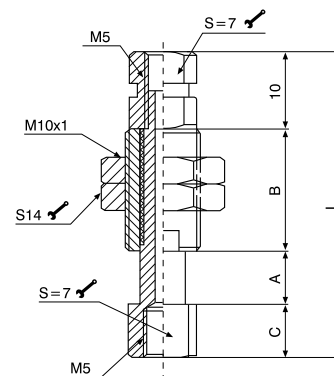
The Pneumax range is subdivided into three types:

- **Compensator with external spring**
- **Compensator with internal spring**
- **Anti-rotation compensator with internal spring**



Series 1900

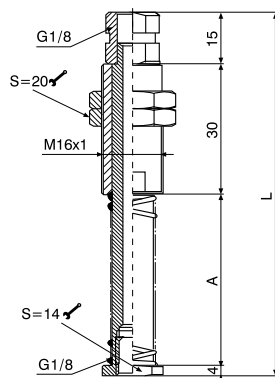
Standard level compensator M5 - internal spring



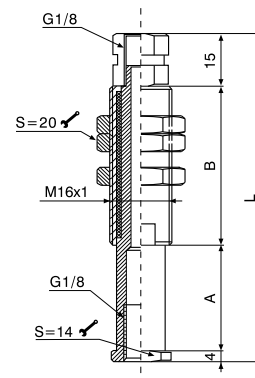
| Code | A | B | C | L | Weight (g) |
|--------------|----|----|----|----|------------|
| 19P05.S.07.I | 7 | 19 | 7 | 43 | 18.7 |
| 19P05.S.15.I | 15 | 23 | 27 | 75 | 28.2 |
| 19P05.S.20.I | 20 | 36 | 7 | 73 | 28.8 |

The standard level compensator M5 makes it possible to compensate for differences in height when the gripping system has to deal with objects of different heights, simplifies accurate positioning on vacuum systems, and makes it possible to position the suction cups on fragile items.

Standard level compensator G1/8" – internal and external spring



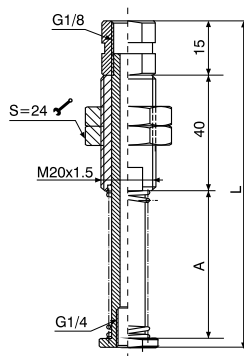
| Code | A | L | Weight (g) |
|--------------|----|-----|------------|
| 19P18.S.10.E | 20 | 69 | 85 |
| 19P18.S.30.E | 50 | 99 | 111.5 |
| 19P18.S.50.E | 70 | 119 | 123.3 |



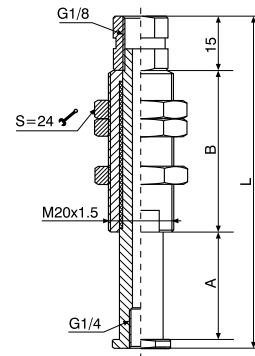
| Code | A | B | L | Weight (g) |
|--------------|----|----|-----|------------|
| 19P18.S.10.I | 10 | 25 | 54 | 59.1 |
| 19P18.S.20.I | 20 | 35 | 74 | 76.3 |
| 19P18.S.30.I | 30 | 45 | 94 | 103.1 |
| 19P18.S.50.I | 50 | 65 | 134 | 140.1 |

The standard level compensator G1/8" makes it possible to compensate for differences in height when the gripping system has to deal with objects of different heights, simplifies accurate positioning on vacuum systems, and makes it possible to position the suction cups on fragile items.

Standard level compensator G1/4" – internal and external spring



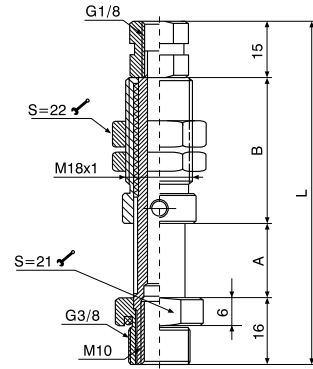
| Code | A | L | Weight (g) |
|--------------|----|-----|------------|
| 19P14.S.20.E | 35 | 95 | 172.5 |
| 19P14.S.50.E | 70 | 130 | 218.3 |



| Code | A | B | L | Weight (g) |
|--------------|----|----|----|------------|
| 19P14.S.10.I | 10 | 25 | 55 | 84.8 |
| 19P14.S.20.I | 20 | 35 | 75 | 110.3 |
| 19P14.S.30.I | 30 | 45 | 95 | 145.3 |

The standard level compensator G1/4" makes it possible to compensate for differences in height when the gripping system has to deal with objects of different heights, simplifies accurate positioning on vacuum systems, makes it possible to position the suction cups on fragile items.

Anti-rotation level compensator G3/8" - internal spring

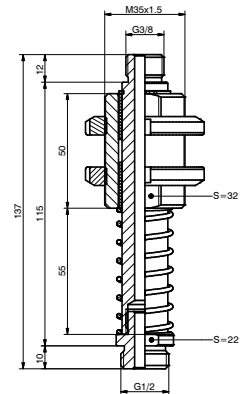


| Code | A | B | L | Weight (g) |
|--------------|----|----|-----|------------|
| 19P38.N.10.I | 10 | 28 | 69 | 112.3 |
| 19P38.N.20.I | 20 | 39 | 90 | 134.7 |
| 19P38.N.30.I | 30 | 50 | 111 | 158.2 |
| 19P38.N.50.I | 50 | 70 | 151 | 204.9 |

The anti-rotation level compensator G3/8" makes it possible to compensate for differences in height when the gripping system has to deal with objects of different heights, simplifies accurate positioning on vacuum systems, and makes it possible to position the suction cups on fragile items. The anti-rotation design makes it possible to use oval or rectangular suction cups.

LEVEL COMPENSATORS

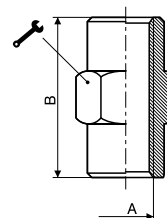
Standard level compensator G1/2"



| Code | Weight (g) |
|--------------|------------|
| 19P12.S.55.E | 470 g |

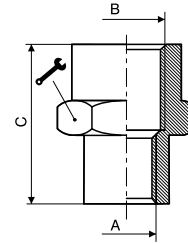
The standard level compensator G1/2" makes it possible to compensate for differences in height when the gripping system has to deal with objects of different heights, simplifies accurate positioning on vacuum systems, makes it possible to position the suction cups on fragile items.

Sleeves for antirotation level compensators



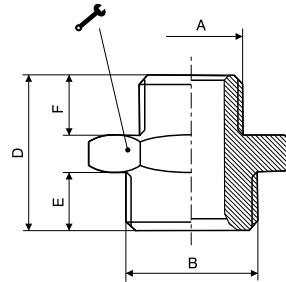
| Code | A | B | Weight (g) |
|-------|-------|----|------------|
| 10338 | G3/8" | 23 | 34.9 |

► Sleeves for antirotation level compensators



| Code | A | B | C | | Weight (g) |
|---------|-------|-------|------|----|------------|
| 1061838 | G1/8" | G3/8" | 20 | 22 | 27.4 |
| 1061438 | G1/4" | G3/8" | 23 | 22 | 30.5 |
| 1063812 | G3/8" | G1/2" | 27.5 | 26 | 35.1 |

► Cylindrical nipples for compensators



| Code | A | B | D | E | F | | Weight (g) |
|---------|-------|-------|------|----|----|----|------------|
| 101M5M5 | M5 | M5 | 11.5 | 4 | 4 | 8 | 2.3 |
| 101M518 | M5 | G1/8" | 14.5 | 6 | 4 | 14 | 8.4 |
| 1011818 | G1/8" | G1/8" | 16.5 | 6 | 6 | 14 | 9.2 |
| 1011814 | G1/8" | G1/4" | 19 | 8 | 6 | 17 | 14.6 |
| 1011838 | G1/8" | G3/8" | 20 | 9 | 6 | 19 | 19.7 |
| 1011414 | G1/4" | G1/4" | 21 | 8 | 8 | 17 | 15.7 |
| 1011438 | G1/4" | G3/8" | 22 | 9 | 8 | 19 | 22 |
| 1011412 | G1/4" | G1/2" | 23.5 | 10 | 8 | 24 | 36.5 |
| 1013838 | G3/8" | G3/8" | 23 | 9 | 9 | 19 | 24 |
| 1013812 | G3/8" | G1/2" | 24.5 | 10 | 9 | 24 | 38.1 |
| 1011212 | G1/2" | G1/2" | 25.5 | 10 | 10 | 24 | 40 |

VACUUM GENERATORS

Wide range of single stage and multistage vacuum generators with compact design and high reliability.



Range

The PNEUMAX range consists of single-stage and multistage equipment of various sizes and types; the single-stage generators use the Venturi effect in a single medium/high throughput nozzle and promptly generate vacuum, flow rate and suction values that are suitable for medium/light applications. Multistage generators having more than one nozzle (ejectors) in a line, using the kinetic energy that this layout generates to ensure, based on the flow rate, limited consumption of energy and attainment of a vacuum level equal to 90%, with various suction capabilities.

Single stage generators, very fast in switching pressure/vacuum, can also be equipped with a quick-release system

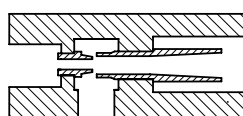
for highly cyclical applications. Multistage generators can often be accessorised with integrated management and control functions, such as for example electropneumatic control for power supply and power shut-off, quick-release blowing, a regulator to measure this release, and a vacuum switch to control the degree of vacuum generated. These latter generators can be installed as modules as well, creating actual stand-alone modules for decentralised vacuum generation and management for controlling more than one gripping element.

Types

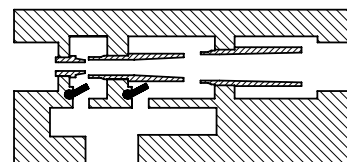
In terms of dimensions, functions and operation, we can categorise generators as one of two major types:

1) Single stage, compact and/or miniaturised, with pneumatic or electropneumatic control, for direct-contact installation with suction cup holders and suction cups.

2) Multistage with or without integrated functions, with pneumatic or electropneumatic control, for de-localised assembly and for controlling groups of suction cups.



Single stage section



Multistage section






Advantages:

- Limited air consumption to moments of use.
- Installation directly proximate to the suction cups.
- Short response times and high capacity.
- No limit to applications.
- Reduced weight and dimensions.
- High reliability.





Index

Single stage vacuum generators

| | | | | | |
|---|---|-----------|---|--|-----------|
|  | Series 1900 T06, T10, T14, T18 | 28 |  | Series 1900 High flow - G3/8", G1/2", G3/4" | 51 |
|  | Series 1900 M5 | 37 |  | Series 1900 Adjustable vacuum generator conveyor | 57 |
|  | Series 1900 G1/8", G1/4", G3/8" | 39 | | | |

Multistage vacuum generators

| | | | | | |
|---|------------------------------------|-----------|---|--|-----------|
|  | Series 1900 G1/4", G3/8" | 59 |  | Series 1900 High flow - G3/4", G1" | 63 |
|---|------------------------------------|-----------|---|--|-----------|





Multifunction vacuum generators

| | | |
|---|--------------------|-----------|
|  | Series 1900 | 70 |
|---|--------------------|-----------|

Modular multifunction vacuum generators

| | | |
|---|--------------------|-----------|
|  | Series 1900 | 75 |
|---|--------------------|-----------|

Accessories and spare parts for multifunction vacuum generators "SE" - "ME"

| | | | | | |
|---|----------------------------------|-----------|---|------------------------------|-----------|
|  | Mini solenoid valve 15 mm | 80 |  | Closing plate | 80 |
|  | Connector | 80 |  | Digital vacuum switch | 81 |

Single stage vacuum generators

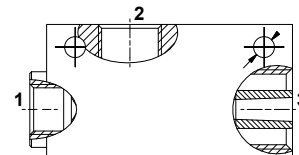
Single stage generators, robust reliable and compact suitable for applications which need the required degree of vacuum to be reached quickly with high flow rates.



VACUUM GENERATORS

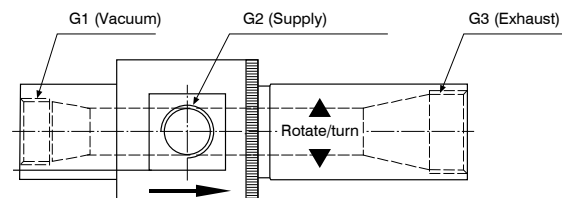
Performance and application

The single stage vacuum generator operates using the Venturi principle. By feeding compressed air into port 1 of the generator, a depression (Vacuum) is generated at port 2 with the air being drawn from port 2 discharged out at port 3. When the compressed supply to port 1 is interrupted, the suction (Vacuum) at port 2 is lost. The optimum inlet pressure is different for each type of single stage generator which ranges from 1 - 6 bar. These generator are generally used in conjunction with suction cups for gripping and the handling of porous and non-porous objects with limited suction flow required.



Adjustable version

Based on the Venturi principle, these differ from traditional ones, infact they have an ejector with a much larger diameter, and are adjustable. This feature makes possible to change the device's flow rate and degree of vacuum without affecting the inlet pressure.



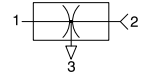
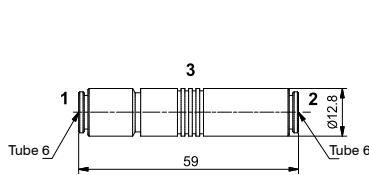


Series 1900

Single stage vacuum generator T06

Ordering code

19T06.S.05.HV.C0

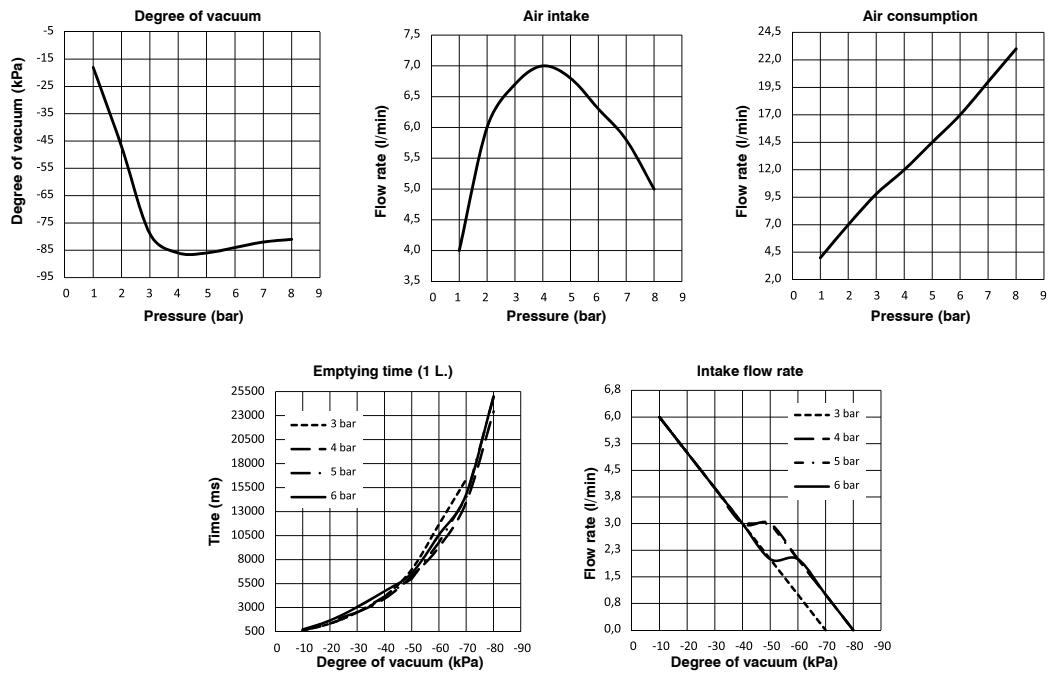


Single stage generators, with operation based on the Venturi principle; their main feature is the presence of feed pressure and connection for the vacuum on the same axis. This makes it possible to connect the suction cups directly to the generator or through the suction cup holder, so therefore still on the same axis with advantages in terms of system layout and simplicity.

Operational characteristics

| | | | |
|--------------------------|----|----|----|
| Inlet pressure (bar) | 2 | 4 | 6 |
| Degree of Vacuum (-kPa) | 47 | 86 | 84 |
| Intake flow rate (l/min) | 6 | 7 | 6 |
| Air consumption (l/min) | 7 | 12 | 17 |

Performance Charts



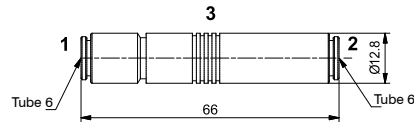
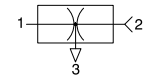
Technical characteristics

| | |
|------------------|---------------------------|
| Fluid | Unlubricated filtered air |
| Pressure (bar) | 1 ... 8 |
| Temperature (°C) | -10 ... +80 |
| Weight (g) | 7 |
| Noise (dBA) | 68 |

VACUUM GENERATORS

► **Single stage vacuum generator T06**

| |
|-------------------------|
| Ordering code |
| 19T06.S.07.HV.C0 |



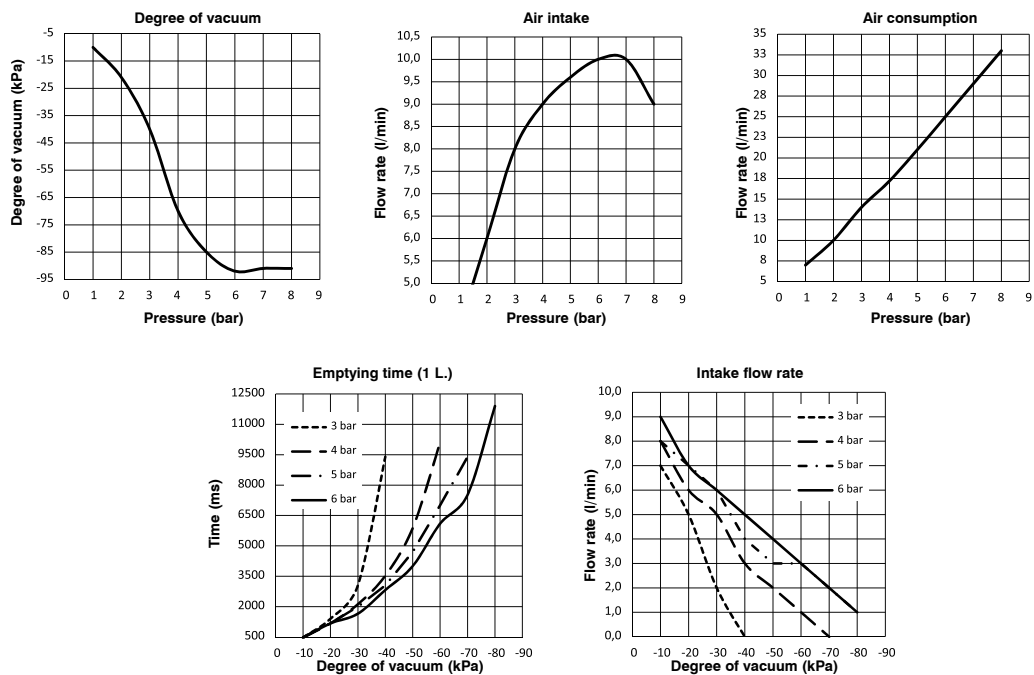
Single stage generators, with operation based on the Venturi principle; their main feature is the presence of feed pressure and connection for the vacuum on the same axis. This makes it possible to connect the suction cups directly to the generator or through the suction cup holder, so therefore still on the same axis with obvious advantages in terms of system layout and simplicity.

VACUUM GENERATORS

Operational characteristics

| | | | |
|--------------------------|----|----|----|
| Inlet pressure (bar) | 2 | 4 | 6 |
| Degree of Vacuum (-kPa) | 21 | 70 | 92 |
| Intake flow rate (l/min) | 6 | 9 | 10 |
| Air consumption (l/min) | 10 | 17 | 25 |

Performance Charts

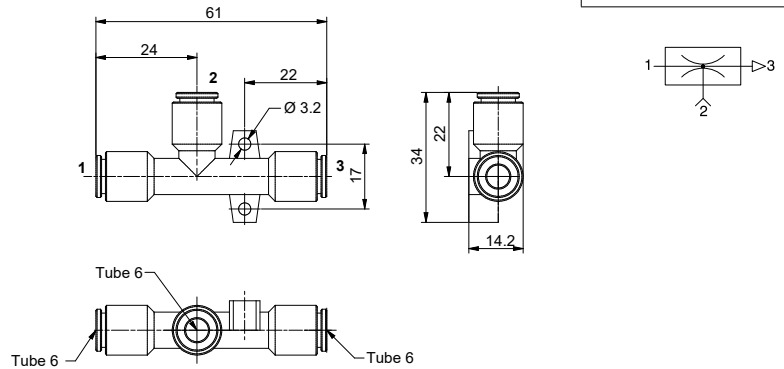


Technical characteristics

| | |
|------------------|---------------------------|
| Fluid | Unlubricated filtered air |
| Pressure (bar) | 1 ... 8 |
| Temperature (°C) | -10 ... +80 |
| Weight (g) | 8 |
| Noise (dBA) | 68 |

Single stage vacuum generator T06

Ordering code
19T06.S.07.HV.ZZ



Single stage generators, robust and reliable, with compact dimensions and suitable for applications that need the required degree of vacuum to be reached quickly with limited air flows. Operating on the Venturi principle they have the vacuum connection orthogonal to the axis of supply and outlet. They can be connected directly to the suction cups and/or suction cup holder and can be applied in any position.

| Operational characteristics | | | |
|-----------------------------|----|----|----|
| Inlet pressure (bar) | 2 | 4 | 6 |
| Degree of Vacuum (-kPa) | 36 | 87 | 91 |
| Intake flow rate (l/min) | 10 | 10 | 10 |
| Air consumption (l/min) | 22 | 30 | 38 |

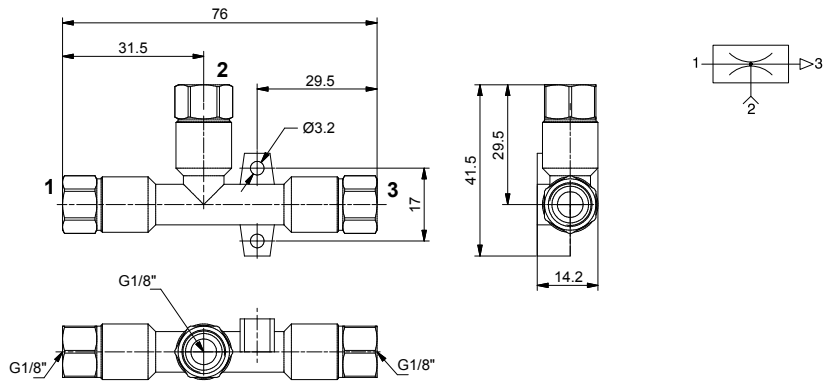
Performance Charts

| Technical characteristics | |
|---------------------------|---------------------------|
| Fluid | Unlubricated filtered air |
| Pressure (bar) | 1 ... 8 |
| Temperature (°C) | -10 ... +80 |
| Weight (g) | 12 |
| Noise (dBA) | 76 |

VACUUM GENERATORS

► **Single stage vacuum generator T18**

| |
|-------------------------|
| Ordering code |
| 19T18.S.07.HV.VV |



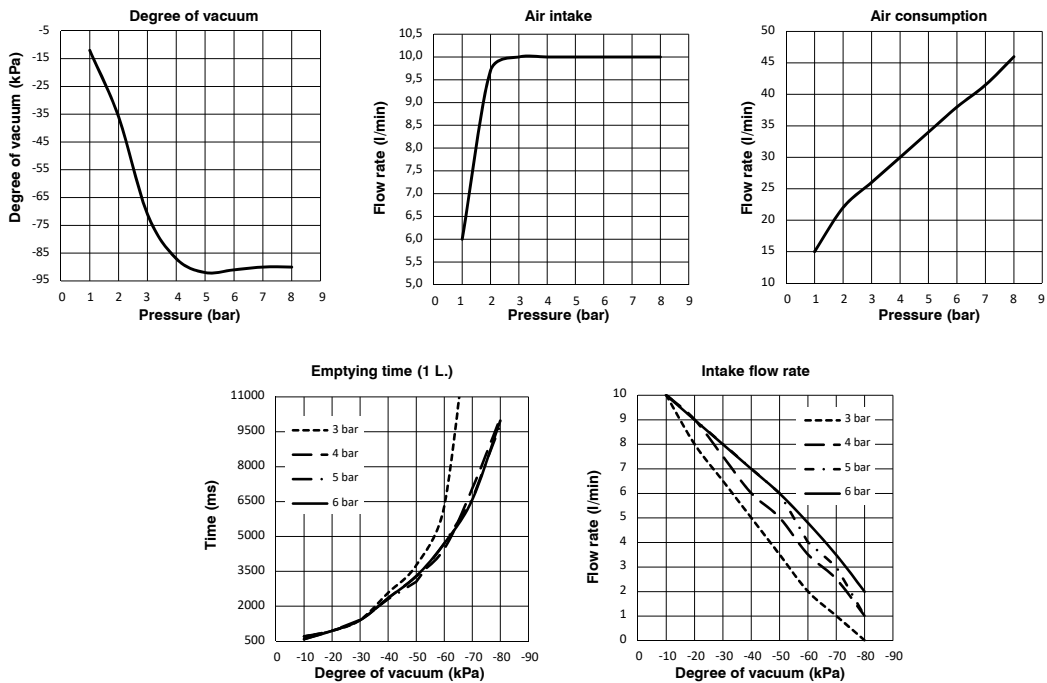
Single stage generators, robust and reliable, with compact dimensions and suitable for applications which need the required degree of vacuum to be reached quickly with limited air flows. Operating on the Venturi principle they have the vacuum connection orthogonal to the axis of supply and outlet. They can be connected directly to the suction cups and/or suction cup holder and applied in any position.

Operational characteristics

| | | | |
|--------------------------|----|----|----|
| Inlet pressure (bar) | 2 | 4 | 6 |
| Degree of Vacuum (-kPa) | 36 | 87 | 91 |
| Intake flow rate (l/min) | 10 | 10 | 10 |
| Air consumption (l/min) | 22 | 30 | 38 |

VACUUM GENERATORS

Performance Charts



Technical characteristics

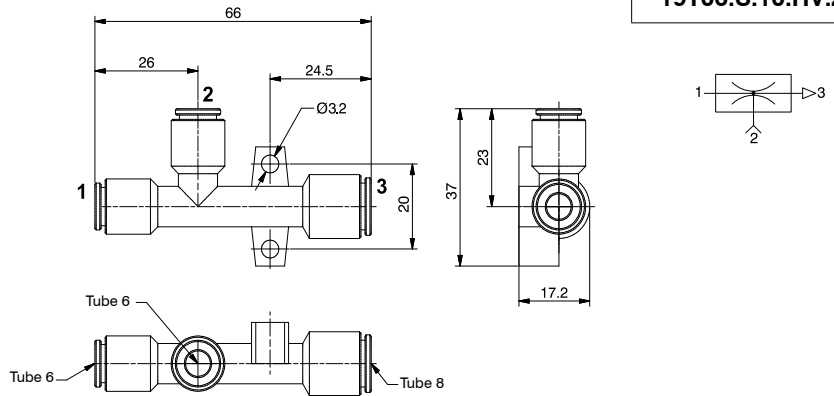
| | |
|------------------|---------------------------|
| Fluid | Unlubricated filtered air |
| Pressure (bar) | 1 ... 8 |
| Temperature (°C) | -10 ... +80 |
| Weight (g) | 36 |
| Noise (dBA) | 77 |

Accessories

| | |
|---------|----------------|
| 19S18.S | Silencer G1/8" |
|---------|----------------|

Single stage vacuum generator T06

Ordering code
19T06.S.10.HV.ZY



Single stage generators, robust and reliable, with compact dimensions and suitable for applications which need the required degree of vacuum to be reached quickly with limited air flows. Operating on the Venturi principle they have the vacuum connection orthogonal to the axis of supply and outlet. They can be connected directly to the suction cups and/or suction cup holder and applied in any position.

| Operational characteristics | | | |
|-----------------------------|----|----|----|
| Inlet pressure (bar) | 2 | 4 | 6 |
| Degree of Vacuum (-kPa) | 55 | 90 | 88 |
| Intake flow rate (l/min) | 22 | 22 | 20 |
| Air consumption (l/min) | 51 | 72 | 91 |

Degree of vacuum

Air intake

Air consumption

Emptying time (1 L.)

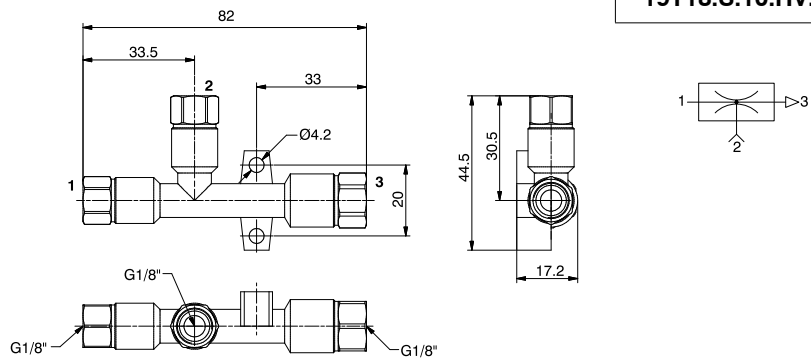
Intake flow rate

| Technical characteristics | |
|---------------------------|---------------------------|
| Fluid | Unlubricated filtered air |
| Pressure (bar) | 1 ... 8 |
| Temperature (°C) | -10 ... +80 |
| Weight (g) | 15 |
| Noise (dBA) | 94 |

VACUUM GENERATORS

► **Single stage vacuum generator T18**

Ordering code
19T18.S.10.HV.VV



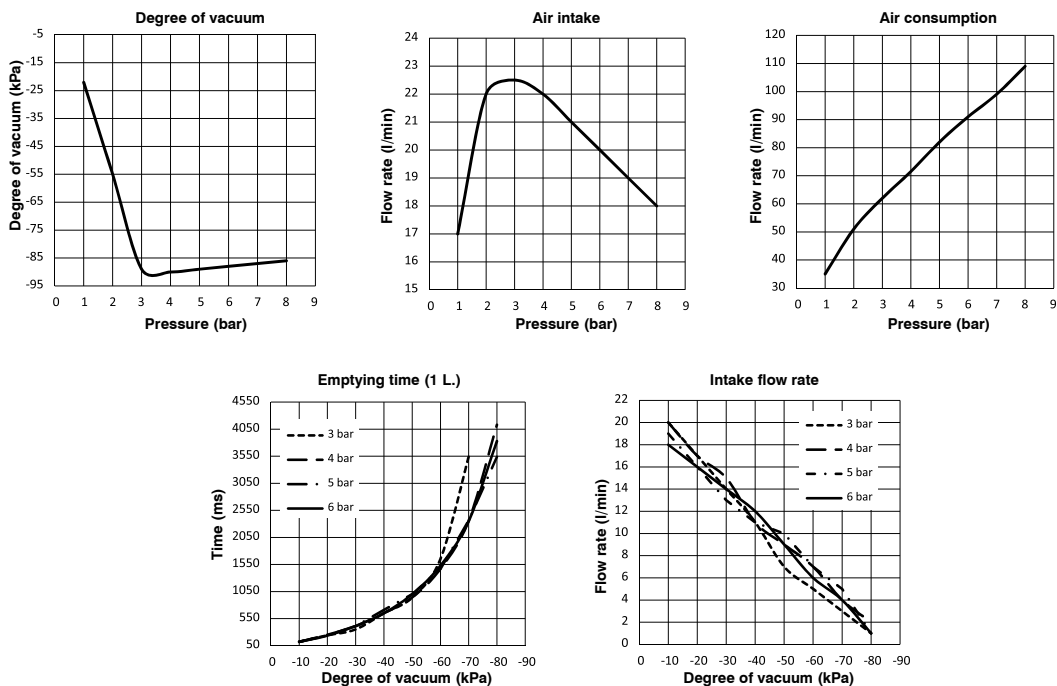
Single stage generators, robust and reliable, with compact dimensions and suitable for applications which need the required degree of vacuum to be reached quickly with limited air flows. Operating on the Venturi principle they have the vacuum connection orthogonal to the axis of supply and outlet. They can be connected directly to the suction cups and/or suction cup holder and applied in any position.

VACUUM GENERATORS

Operational characteristics

| | | | |
|--------------------------|----|----|----|
| Inlet pressure (bar) | 2 | 4 | 6 |
| Degree of Vacuum (-kPa) | 55 | 90 | 88 |
| Intake flow rate (l/min) | 22 | 22 | 20 |
| Air consumption (l/min) | 51 | 72 | 91 |

Performance Charts



Technical characteristics

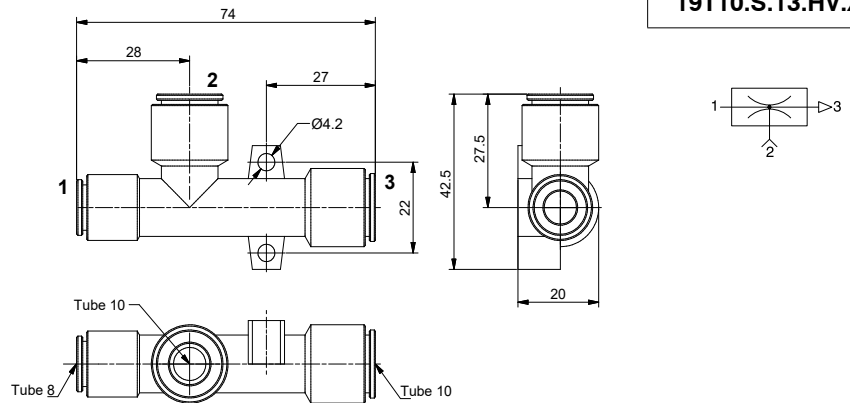
| | |
|------------------|---------------------------|
| Fluid | Unlubricated filtered air |
| Pressure (bar) | 1 ... 8 |
| Temperature (°C) | -10 ... +80 |
| Weight (g) | 46 |
| Noise (dBA) | 87 |

Accessories

| | |
|---------|----------------|
| 19S18.S | Silencer G1/8" |
|---------|----------------|

Single stage vacuum generator T10

Ordering code
19T10.S.13.HV.XX



Single stage generators, robust and reliable, with compact dimensions and suitable for applications which need the required degree of vacuum to be reached quickly with limited air flows. Operating on the Venturi principle they have the vacuum connection orthogonal to the axis of supply and outlet. They can be connected directly to the suction cups and/or suction cup holder and applied in any position.

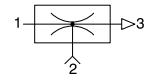
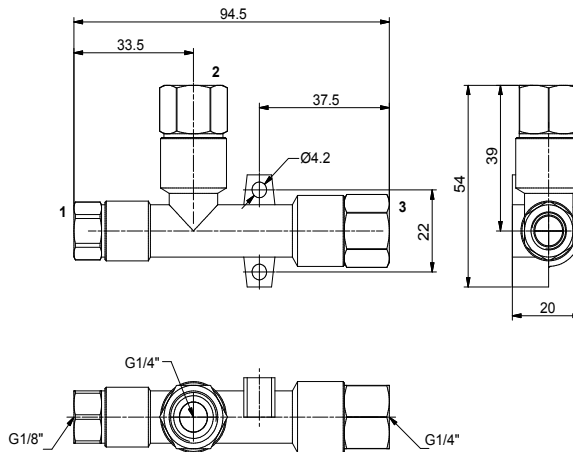
| Operational characteristics | | | |
|-----------------------------|----|-----|-----|
| Inlet pressure (bar) | 2 | 4 | 6 |
| Degree of Vacuum (-kPa) | 47 | 92 | 91 |
| Intake flow rate (l/min) | 42 | 42 | 38 |
| Air consumption (l/min) | 86 | 118 | 145 |

Performance Charts

| Technical characteristics | |
|---------------------------|---------------------------|
| Fluid | Unlubricated filtered air |
| Pressure (bar) | 1 ... 8 |
| Temperature (°C) | -10 ... +80 |
| Weight (g) | 25 |
| Noise (dBA) | 92 |

► **Single stage vacuum generator T14**

Ordering code
19T14.S.15.HV.UU

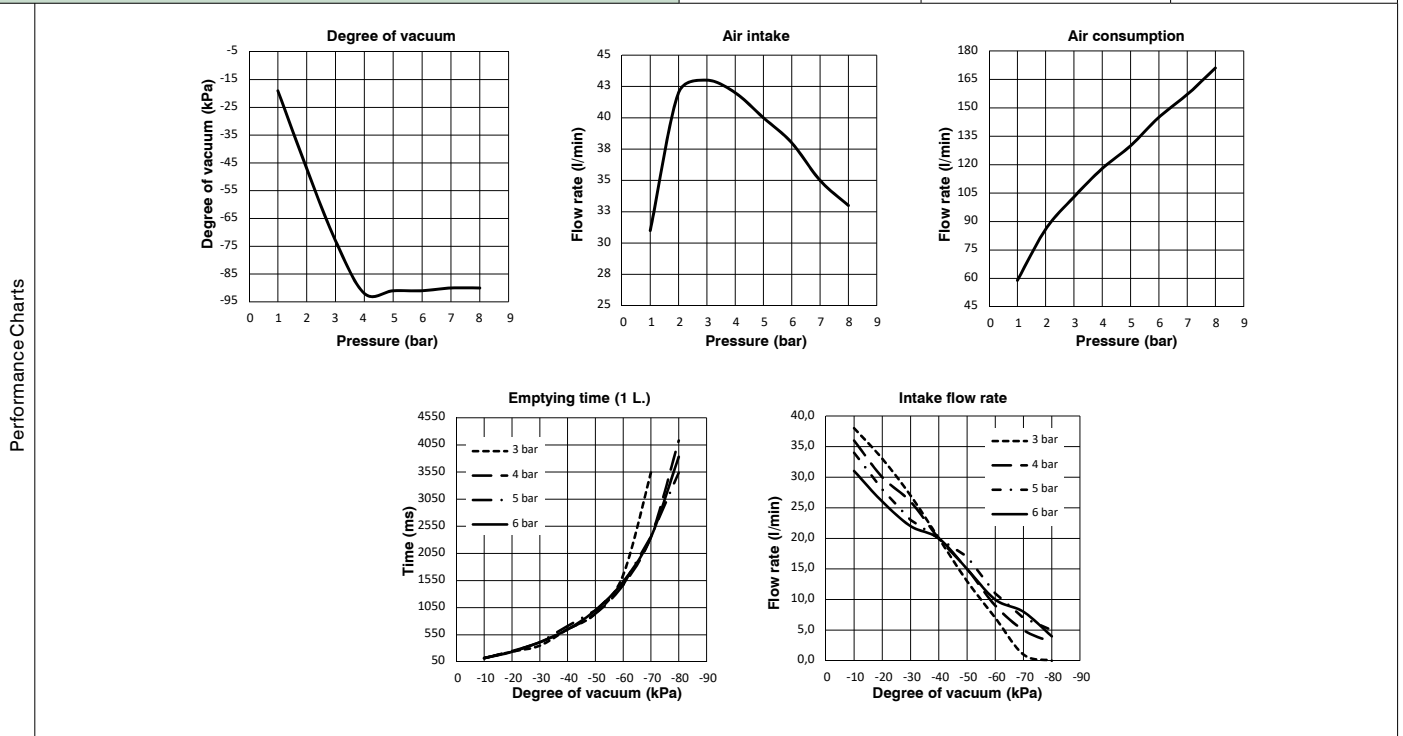


Single stage generators, robust and reliable, with compact dimensions and suitable for applications which need the required degree of vacuum to be reached quickly with limited air flows. Operating on the Venturi principle they have the vacuum connection orthogonal to the axis of supply and outlet. They can be connected directly to the suction cups and and/or suction cup holder and applied in any position.

VACUUM GENERATORS

Operational characteristics

| | | | |
|--------------------------|----|-----|-----|
| Inlet pressure (bar) | 2 | 4 | 6 |
| Degree of Vacuum (-kPa) | 47 | 92 | 91 |
| Intake flow rate (l/min) | 42 | 42 | 38 |
| Air consumption (l/min) | 86 | 118 | 145 |



Technical characteristics

| | |
|------------------|---------------------------|
| Fluid | Unlubricated filtered air |
| Pressure (bar) | 1 ... 8 |
| Temperature (°C) | -10 ... +80 |
| Weight (g) | 86 |
| Noise (dBA) | 96 |

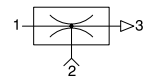
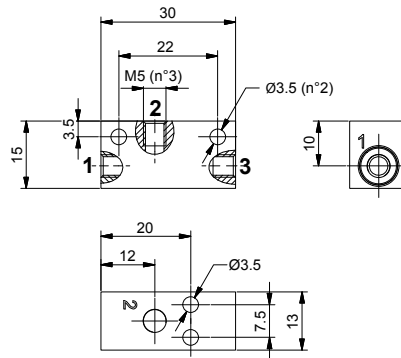
Accessories

| | |
|---------|-----------------|
| 19S14.S | Silencer G 1/4" |
|---------|-----------------|



Single stage vacuum generator M5

Ordering code
19M05.S.05.SS.00



Single stage generators, robust and reliable, with compact dimensions and suitable for applications which need the required degree of vacuum to be reached quickly with limited air flows. Operating on the Venturi principle they have the vacuum connection orthogonal to the axis of supply and outlet. They can be connected directly to the suction cups and/or suction cup holder and applied in any position.

| Operational characteristics | | | |
|-----------------------------|----|----|----|
| Inlet pressure (bar) | 2 | 4 | 6 |
| Degree of Vacuum (-kPa) | 35 | 66 | 85 |
| Intake flow rate (l/min) | 6 | 8 | 7 |
| Air consumption (l/min) | 2 | 8 | 11 |

Degree of vacuum

Air intake

Air consumption

Emptying time (1 L.)

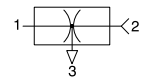
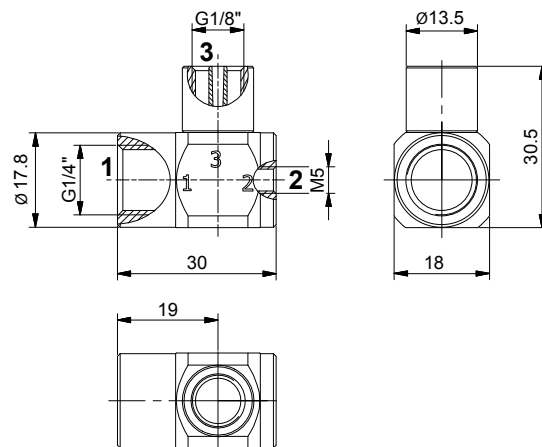
Intake flow rate

| Technical characteristics | |
|---------------------------|---------------------------|
| Fluid | Unlubricated filtered air |
| Pressure (bar) | 1 ... 8 |
| Temperature (°C) | -10 ... +80 |
| Weight (g) | 15 |

VACUUM GENERATORS

► **Single stage vacuum generator M5**

Ordering code
19M05.S.08.SS.L0



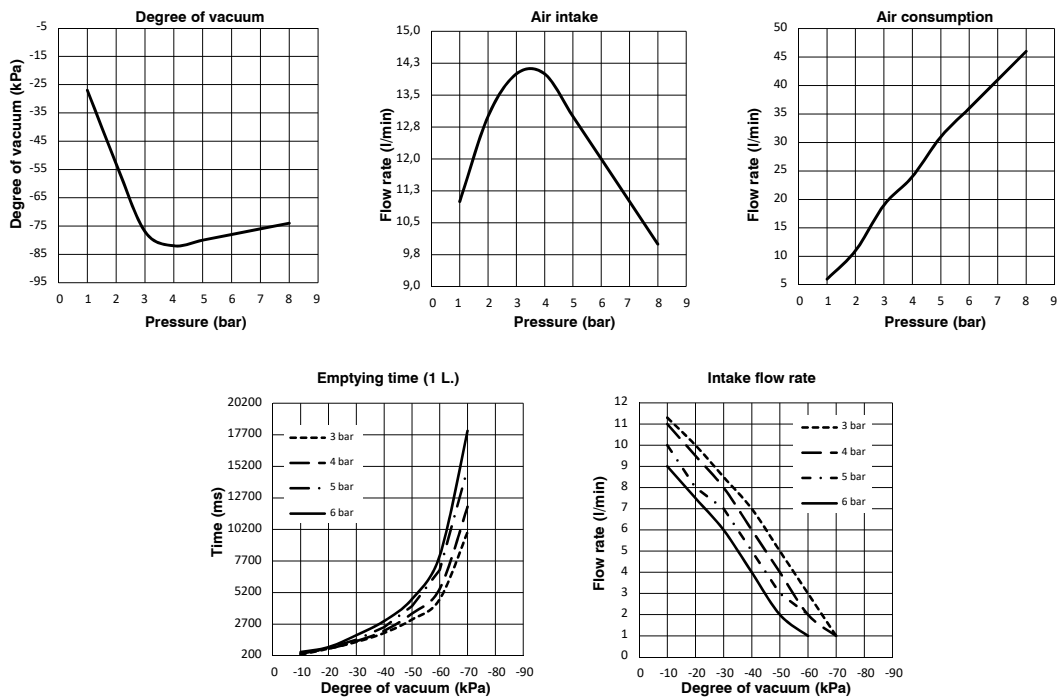
Single stage generators, with operation based on the Venturi principle; their main feature is the presence of feed pressure and connection for the vacuum on the same axis. This makes it possible to connect the suction cups directly to the generator or through the suction cup holder, so therefore still on the same axis with obvious advantages in terms of system layout and simplicity. The outlet connection has a female thread G 1/8".

VACUUM GENERATORS

Operational characteristics

| | | | |
|--------------------------|----|----|----|
| Inlet pressure (bar) | 2 | 4 | 6 |
| Degree of Vacuum (-kPa) | 53 | 82 | 78 |
| Intake flow rate (l/min) | 13 | 14 | 12 |
| Air consumption (l/min) | 11 | 24 | 36 |

Performance Charts



Technical characteristics

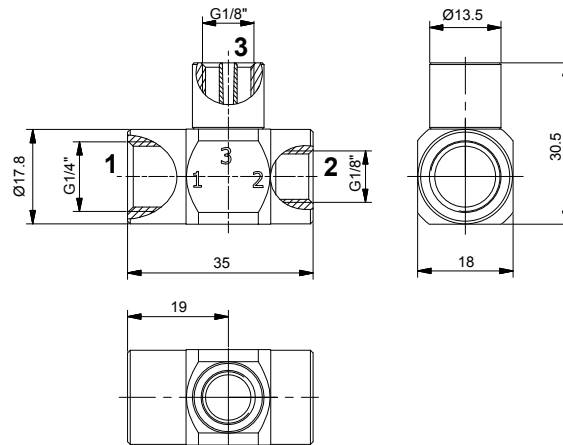
| | |
|------------------|---------------------------|
| Fluid | Unlubricated filtered air |
| Pressure (bar) | 1 ... 8 |
| Temperature (°C) | -10 ... +80 |
| Weight (g) | 24 |

Accessories

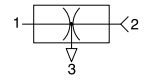
| | |
|---------|----------------|
| 19S18.S | Silencer G1/8" |
|---------|----------------|



Single stage vacuum generator G1/8"



Ordering code
19M18.S.08.SS.L0



Single stage generators, with operation based on the Venturi principle; their main feature is the presence of feed pressure and connection for the vacuum on the same axis. This makes it possible to connect the suction cups directly to the generator or through the suction cup holder, so therefore still on the same axis with obvious advantages in terms of system layout and simplicity. The outlet connection has a female thread G 1/8".

| Operational characteristics | | | |
|-----------------------------|----|----|----|
| Inlet pressure (bar) | 2 | 4 | 6 |
| Degree of Vacuum (-kPa) | 53 | 82 | 78 |
| Intake flow rate (l/min) | 13 | 14 | 12 |
| Air consumption (l/min) | 11 | 24 | 36 |

Degree of vacuum

Air intake

Air consumption

Emptying time (1 L.)

Intake flow rate

| Technical characteristics | |
|---------------------------|---------------------------|
| Fluid | Unlubricated filtered air |
| Pressure (bar) | 1 ... 8 |
| Temperature (°C) | -10 ... +80 |
| Weight (g) | 26 |

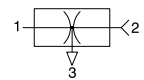
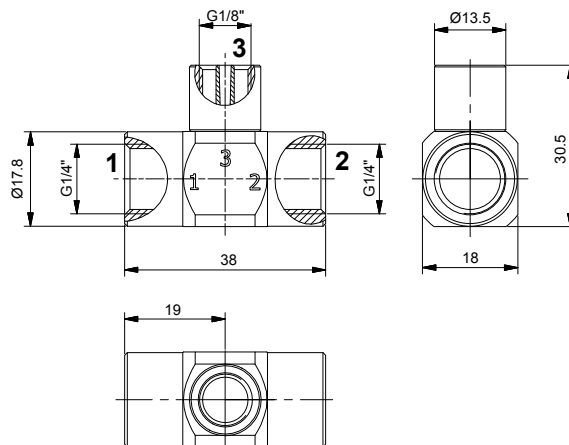
Performance Charts

VACUUM GENERATORS

| Accessories | |
|-------------|----------------|
| 19S18.S | Silencer G1/8" |

► **Single stage vacuum generator G1/4"**

| |
|-------------------------|
| Ordering code |
| 19M14.S.08.SS.L0 |



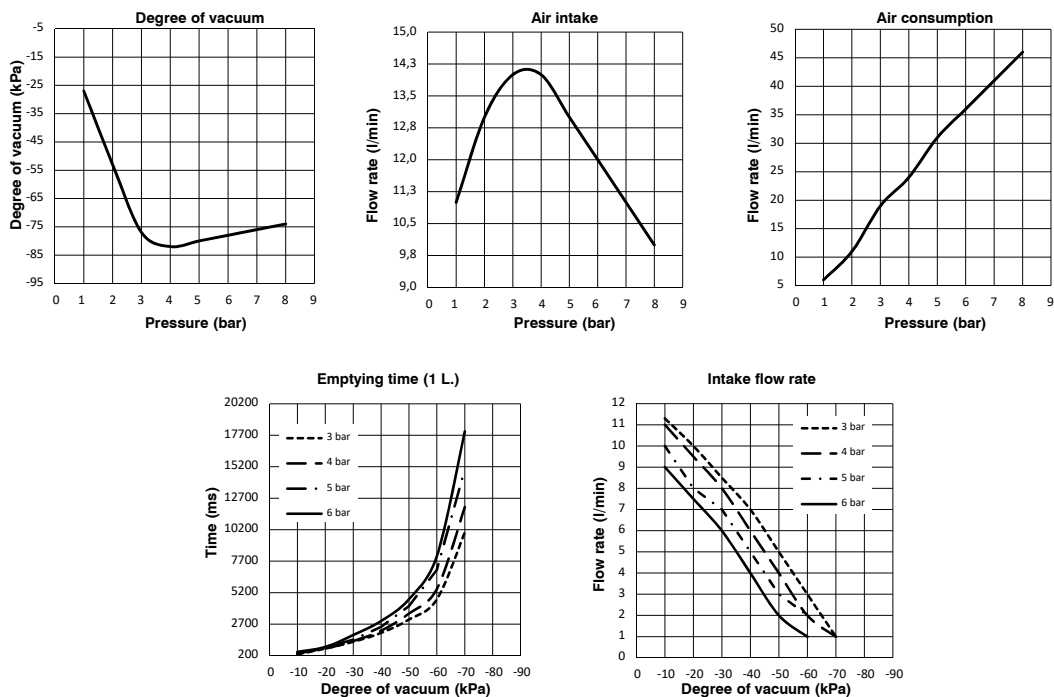
Single stage generators, with operation based on the Venturi principle; their main feature is the presence of feed pressure and connection for the vacuum on the same axis. This makes it possible to connect the suction cups directly to the generator or through the suction cup holder, so therefore still on the same axis with obvious advantages in terms of system layout and simplicity. The outlet connection has a female thread G 1/8".

Operational characteristics

| | | | |
|--------------------------|----|----|----|
| Inlet pressure (bar) | 2 | 4 | 6 |
| Degree of Vacuum (-kPa) | 53 | 82 | 78 |
| Intake flow rate (l/min) | 13 | 14 | 12 |
| Air consumption (l/min) | 11 | 24 | 36 |

VACUUM GENERATORS

Performance Charts



Technical characteristics

| | |
|------------------|---------------------------|
| Fluid | Unlubricated filtered air |
| Pressure (bar) | 1 ... 8 |
| Temperature (°C) | -10 ... +80 |
| Weight (g) | 26 |

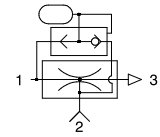
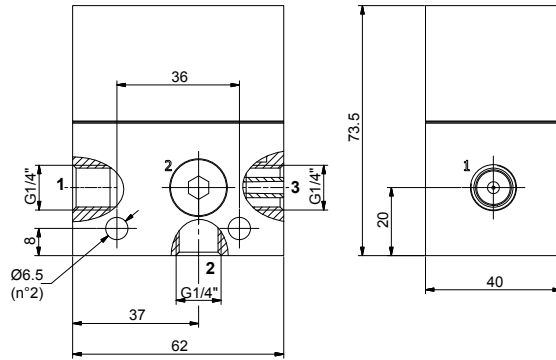
Accessories

| | |
|---------|----------------|
| 19S18.S | Silencer G1/8" |
|---------|----------------|



Single stage vacuum generator G1/4"

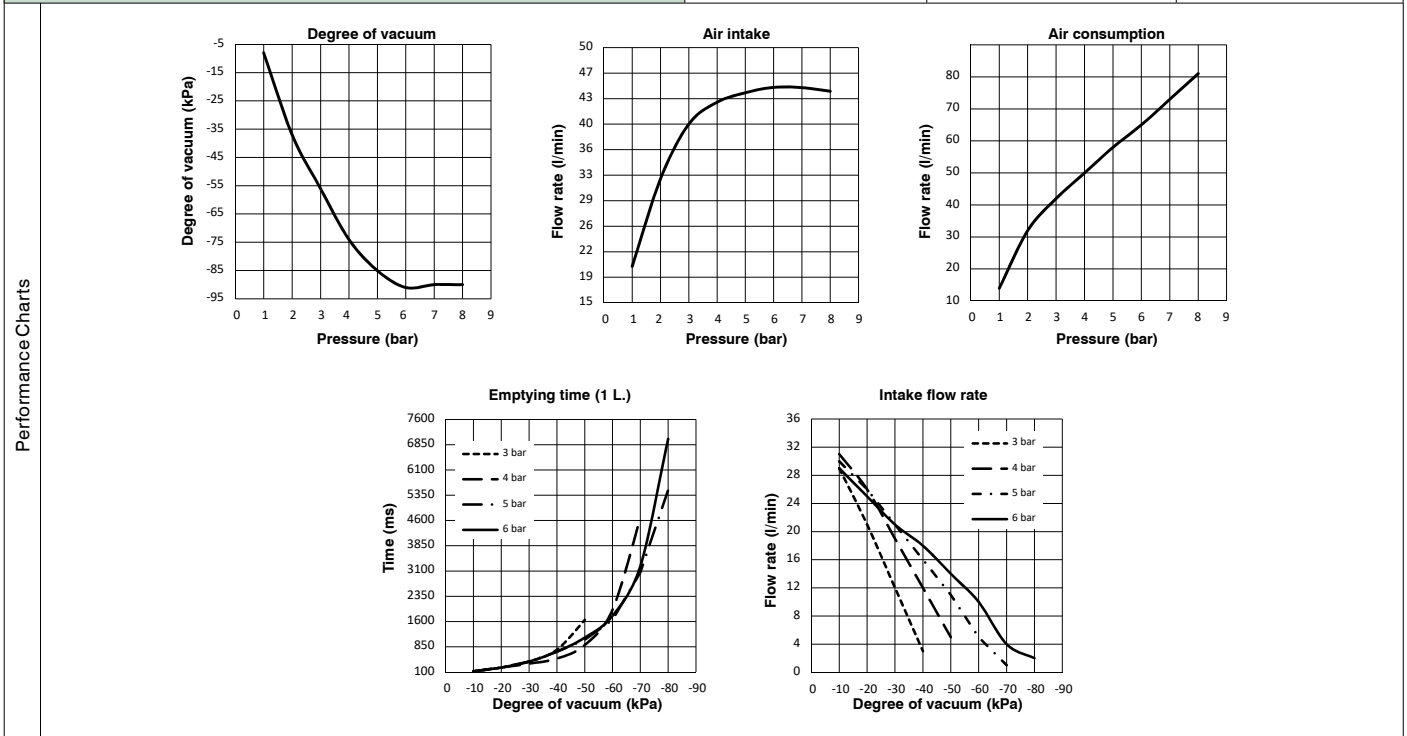
Ordering code
19M14.S.10.SS.E0



Single stage generators derived from standard traditional single-stage generators, complete with automatic release system. The pressure supply, in addition to generating the defined vacuum through the Venturi principle, supplies a chamber which serves as a pressure accumulator. When the supply stops, through a non-return valve, the accumulated pressure will be discharged automatically through the vacuum connection, ensuring quick detachment of the gripped piece.

Operational characteristics

| | | | |
|--------------------------|----|----|----|
| Inlet pressure (bar) | 2 | 4 | 6 |
| Degree of Vacuum (-kPa) | 37 | 74 | 91 |
| Intake flow rate (l/min) | 32 | 43 | 45 |
| Air consumption (l/min) | 32 | 50 | 75 |



Technical characteristics

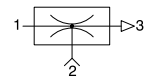
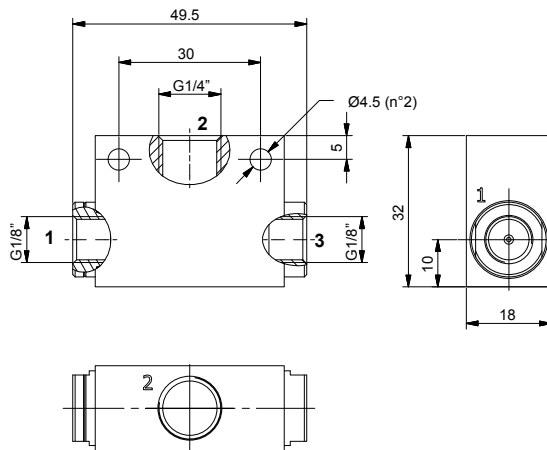
| | |
|------------------|---------------------------|
| Fluid | Unlubricated filtered air |
| Pressure (bar) | 1 ... 8 |
| Temperature (°C) | -10 ... +80 |
| Weight (g) | 346 |

| Accessories | |
|-------------|----------------|
| 19S14.S | Silencer G1/4" |

VACUUM GENERATORS

Single stage vacuum generator G1/4"

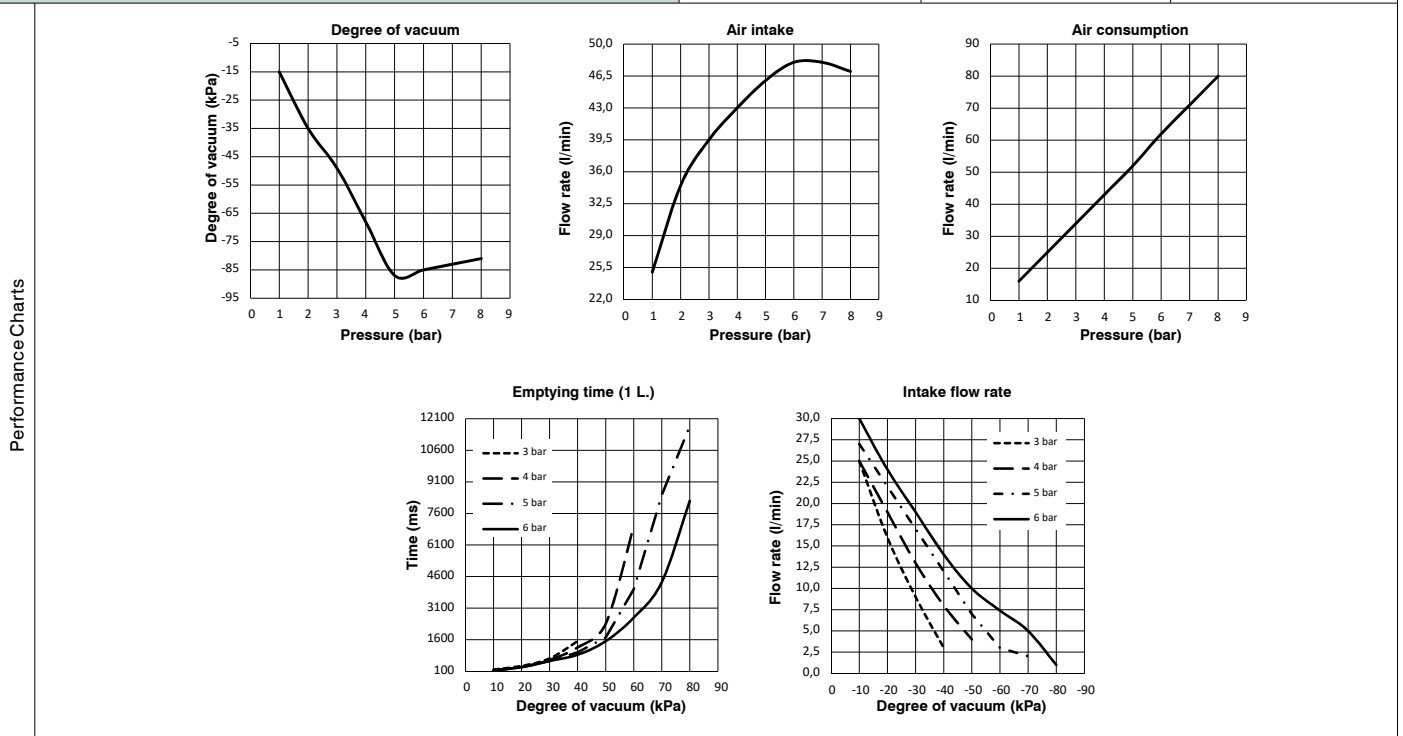
Ordering code
19M14.S.10.SS.R0



Single stage generators, robust and reliable, with compact dimensions and suitable for applications which need the required degree of vacuum to be reached quickly with limited air flows. Operating on the Venturi principle they have the vacuum connection orthogonal to the axis of supply and outlet. They can be connected directly to the suction cups and/or suction cup holder and applied in any position.

VACUUM GENERATORS

| Operational characteristics | | | |
|-----------------------------|----|----|----|
| Inlet pressure (bar) | 2 | 4 | 6 |
| Degree of Vacuum (-kPa) | 35 | 68 | 85 |
| Intake flow rate (l/min) | 35 | 43 | 48 |
| Air consumption (l/min) | 25 | 43 | 62 |

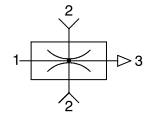
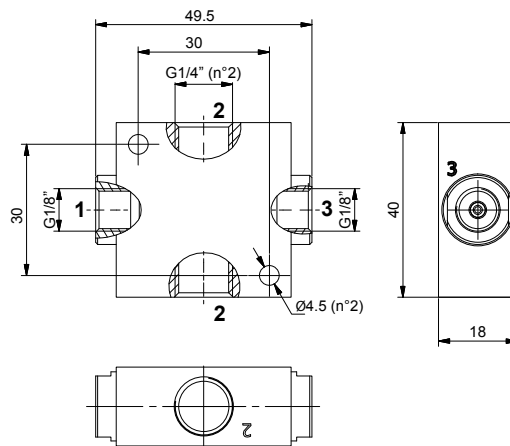


| Technical characteristics | |
|---------------------------|---------------------------|
| Fluid | Unlubricated filtered air |
| Pressure (bar) | 1 ... 8 |
| Temperature (°C) | -10 ... +80 |
| Weight (g) | 55 |

| Accessories | |
|-------------|----------------|
| 19S18.S | Silencer G1/8" |

Single stage vacuum generator G1/4"

Ordering code
19M14.S.15.SS.RD

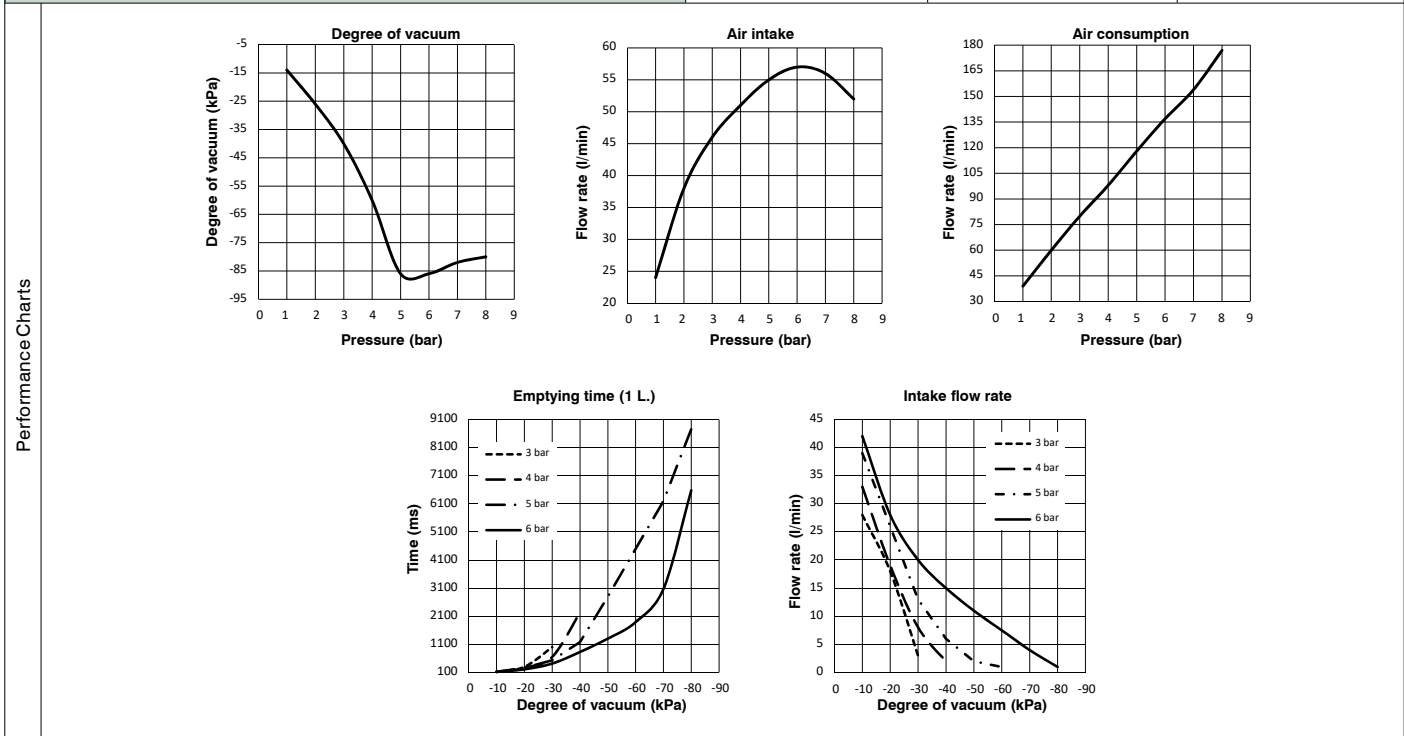


Single stage generators, robust and reliable, with compact dimensions and suitable for applications which need the required degree of vacuum to be reached quickly with limited air flows. Operating on the Venturi principle they have the vacuum connection orthogonal to the axis of supply and outlet. They can be connected directly to the suction cups and/or suction cup holder and applied in any position.

VACUUM GENERATORS

Operational characteristics

| | | | |
|--------------------------|----|----|-----|
| Inlet pressure (bar) | 2 | 4 | 6 |
| Degree of Vacuum (-kPa) | 26 | 60 | 86 |
| Intake flow rate (l/min) | 38 | 51 | 57 |
| Air consumption (l/min) | 60 | 98 | 137 |



Technical characteristics

| | |
|------------------|---------------------------|
| Fluid | Unlubricated filtered air |
| Pressure (bar) | 1 ... 8 |
| Temperature (°C) | -10 ... +80 |
| Weight (g) | 68 |

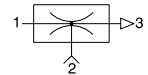
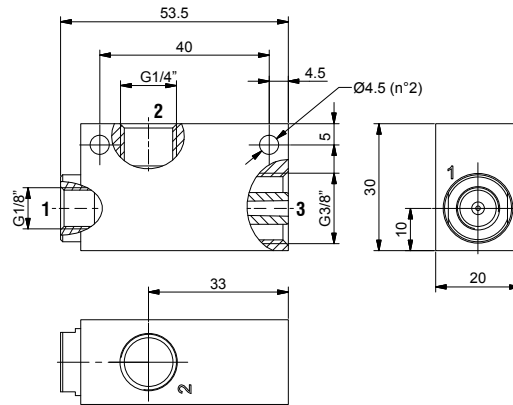
Accessories

| | |
|---------|----------------|
| 19S18.S | Silencer G1/8" |
|---------|----------------|



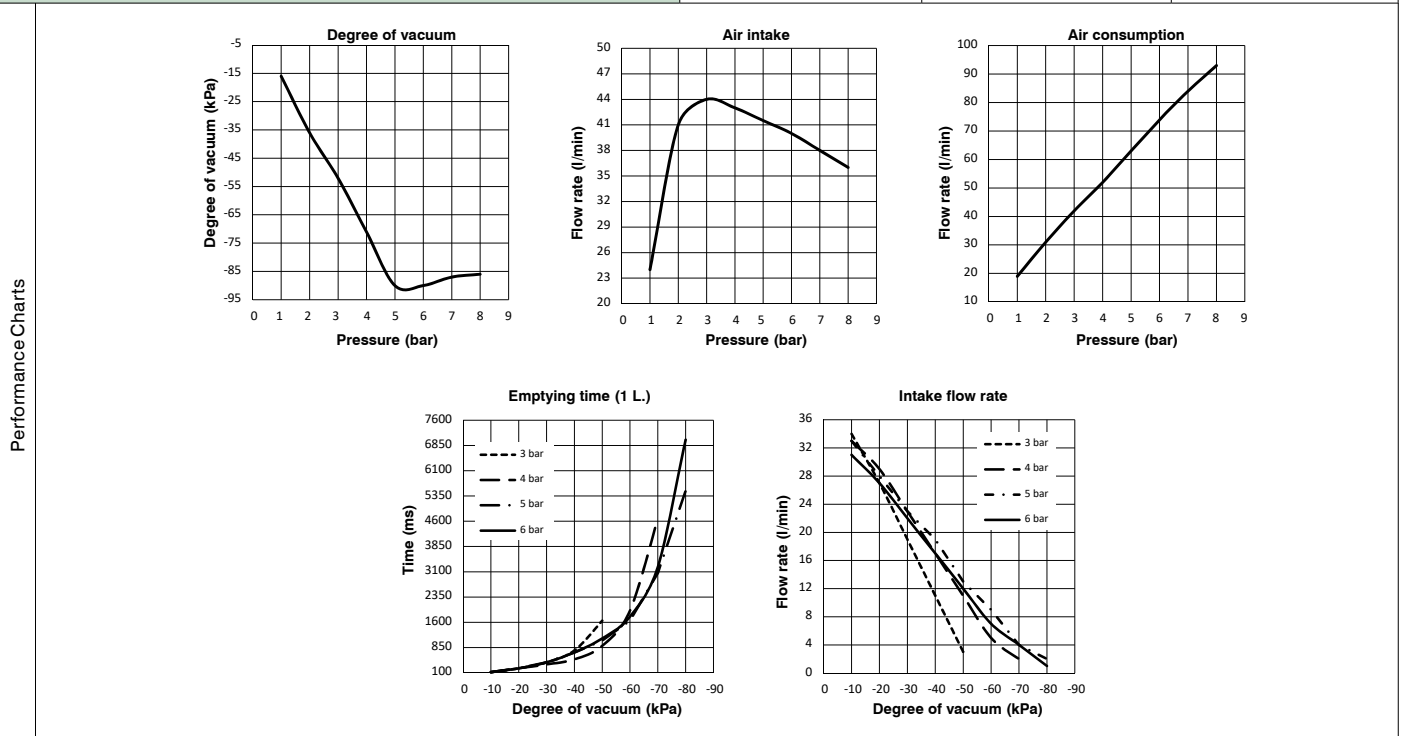
Single stage vacuum generator G1/4"

Ordering code
19M14.S.11.SS.00



Single stage generators, robust and reliable, with compact dimensions and suitable for applications which need the required degree of vacuum to be reached quickly with limited air flows. Operating on the Venturi principle they have the vacuum connection orthogonal to the axis of supply and outlet. They can be connected directly to the suction cups and/or suction cup holder and applied in any position.

| Operational characteristics | | | |
|-----------------------------|----|----|----|
| Inlet pressure (bar) | 2 | 4 | 6 |
| Degree of Vacuum (-kPa) | 36 | 71 | 90 |
| Intake flow rate (l/min) | 41 | 43 | 40 |
| Air consumption (l/min) | 31 | 52 | 74 |



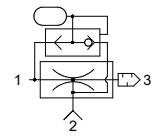
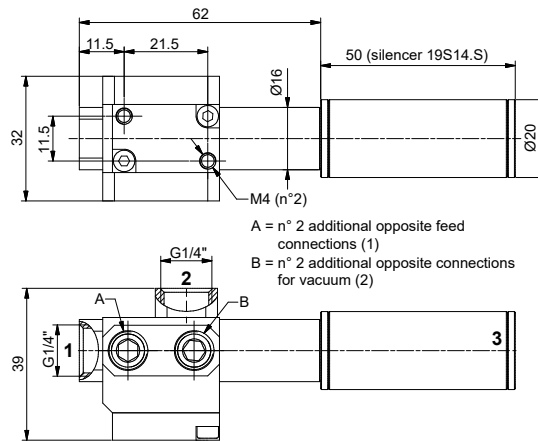
| Technical characteristics | |
|---------------------------|---------------------------|
| Fluid | Unlubricated filtered air |
| Pressure (bar) | 1 ... 8 |
| Temperature (°C) | -10 ... +80 |
| Weight (g) | 67 |

| Accessories | |
|-------------|----------------|
| 19S38.S | Silencer G3/8" |

VACUUM GENERATORS

Single stage vacuum generator G1/4"

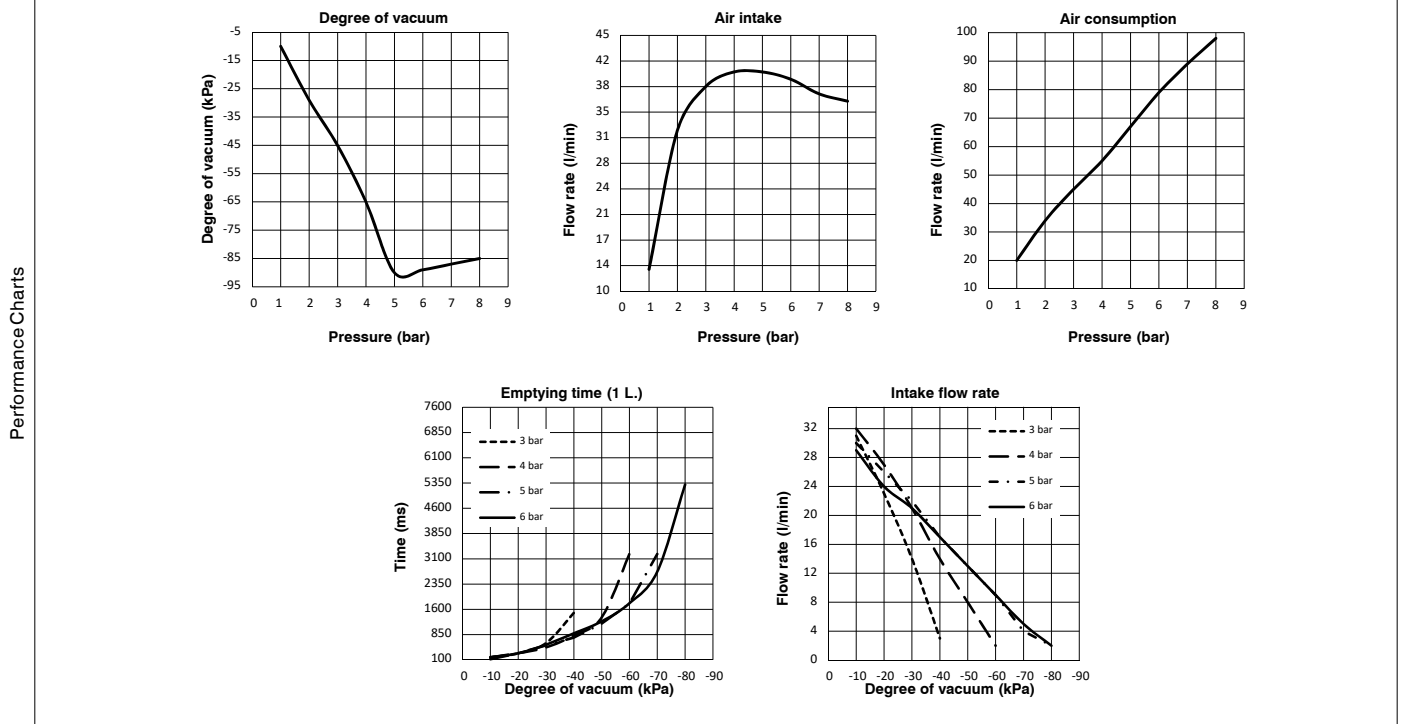
Ordering code
19M14.S.12.SL.ES



High-performance compact generator for high frequency applications; the presence of the integrated ejector ensures release capacity in the shortest possible time. The fact of it being extremely lightweight allows its application directly onto the robot gripping arms and/or mobile applications. Available with two flow rates in the same overall dimensions.

Operational characteristics

| | | | |
|--------------------------|----|----|----|
| Inlet pressure (bar) | 2 | 4 | 6 |
| Degree of Vacuum (-kPa) | 29 | 65 | 89 |
| Intake flow rate (l/min) | 32 | 40 | 39 |
| Air consumption (l/min) | 34 | 55 | 79 |

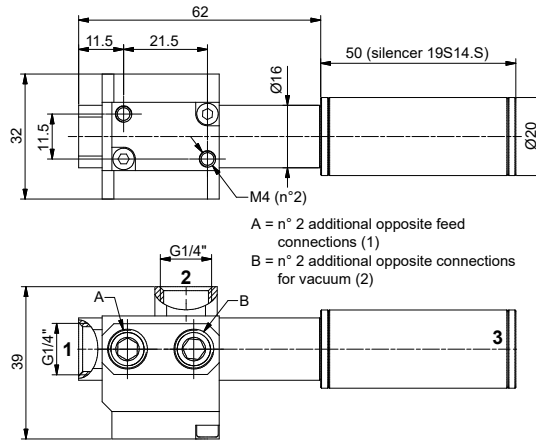


Technical characteristics

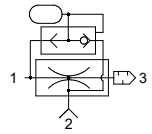
| | |
|------------------|---------------------------|
| Fluid | Unlubricated filtered air |
| Pressure (bar) | 1 ... 8 |
| Temperature (°C) | -10 ... +80 |
| Weight (g) | 83 |



Single stage vacuum generator G1/4"



Ordering code
19M14.S.17.SL.ES



High-performance compact generator for high frequency applications; the presence of the integrated ejector ensures release capacity in the shortest possible time. The fact of it being extremely lightweight allows its application directly onto the robot gripping arms and/or mobile applications. Available with two flow rates in the same overall dimensions.

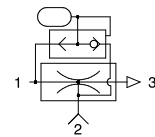
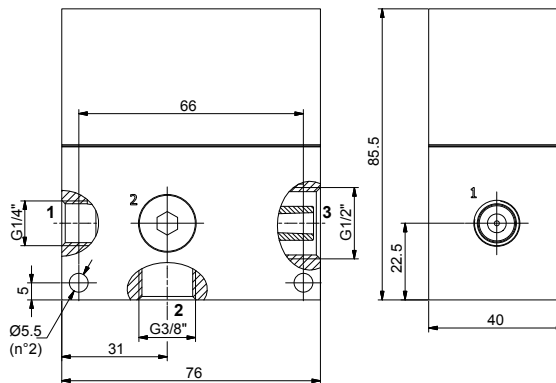
| Operational characteristics | | | |
|-----------------------------|----|-----|-----|
| Inlet pressure (bar) | 2 | 4 | 6 |
| Degree of Vacuum (-kPa) | 34 | 65 | 91 |
| Intake flow rate (l/min) | 68 | 82 | 79 |
| Air consumption (l/min) | 78 | 125 | 176 |

| Technical characteristics | |
|---------------------------|---------------------------|
| Fluid | Unlubricated filtered air |
| Pressure (bar) | 1 ... 8 |
| Temperature (°C) | -10 ... +80 |
| Weight (g) | 83 |

VACUUM GENERATORS

► **Single stage vacuum generator G3/8"**

Ordering code
19M38.S.14.SS.E0



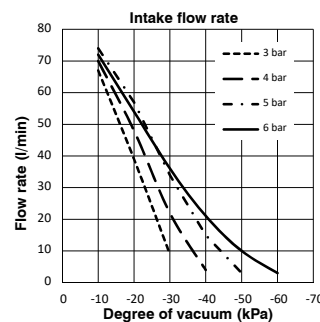
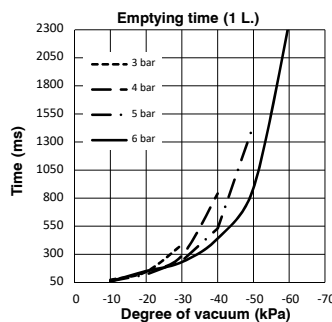
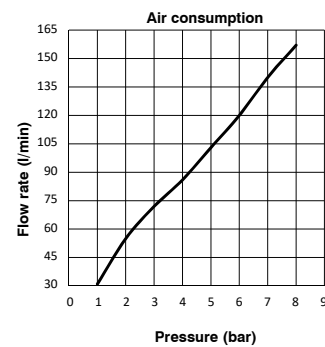
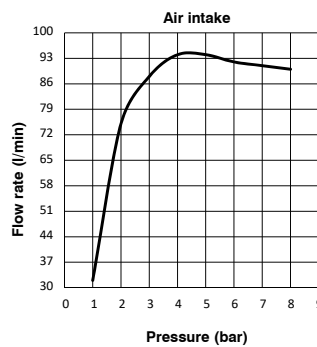
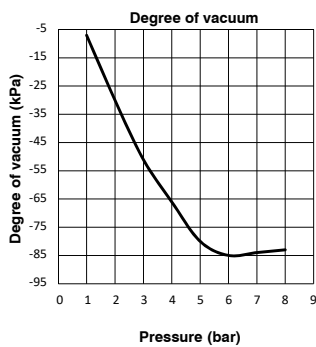
Single stage generators derived from standard traditional single-stage generators, complete with automatic release system. The pressure supply, in addition to generating the defined vacuum through the Venturi principle, supplies a chamber which serves as a pressure accumulator. When the supply stops, through a non-return valve, the accumulated pressure will be discharged automatically through the vacuum connection, ensuring quick detachment of the gripped piece.

Operational characteristics

| | | | |
|--------------------------|----|----|-----|
| Inlet pressure (bar) | 2 | 4 | 6 |
| Degree of Vacuum (-kPa) | 30 | 66 | 85 |
| Intake flow rate (l/min) | 75 | 94 | 92 |
| Air consumption (l/min) | 55 | 86 | 120 |

VACUUM GENERATORS

Performance Charts



Technical characteristics

| | |
|------------------|---------------------------|
| Fluid | Unlubricated filtered air |
| Pressure (bar) | 1 ... 8 |
| Temperature (°C) | -10 ... +80 |
| Weight (g) | 480 |

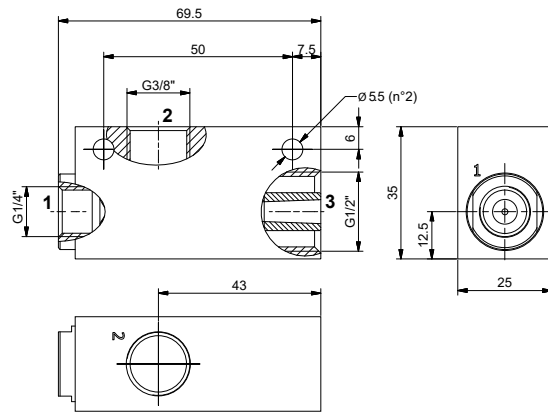
Accessories

| | |
|---------|----------------|
| 19S12.R | Silencer G1/2" |
|---------|----------------|

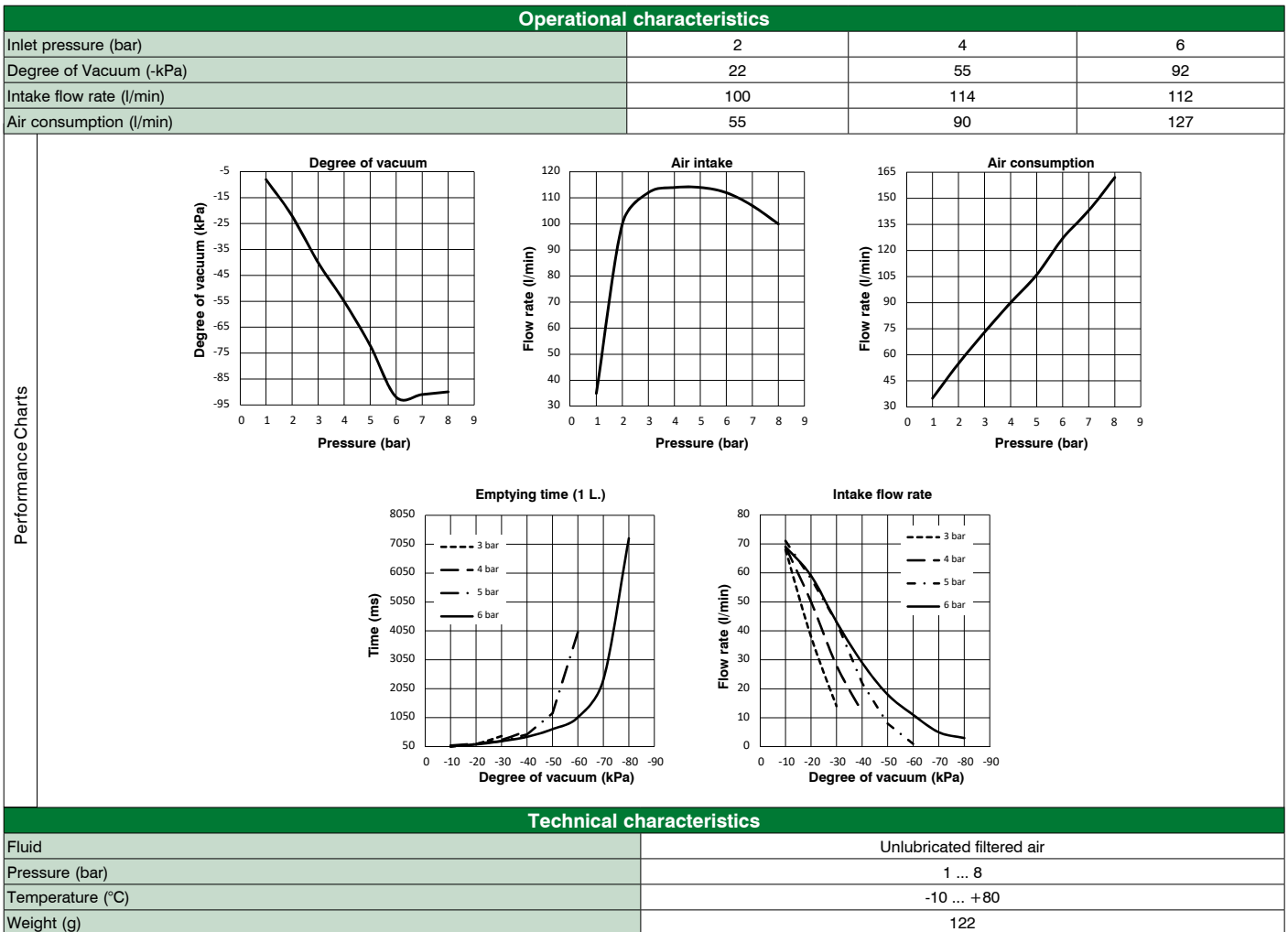


Single stage vacuum generator G3/8"

Ordering code
19M38.S.15.SS.00



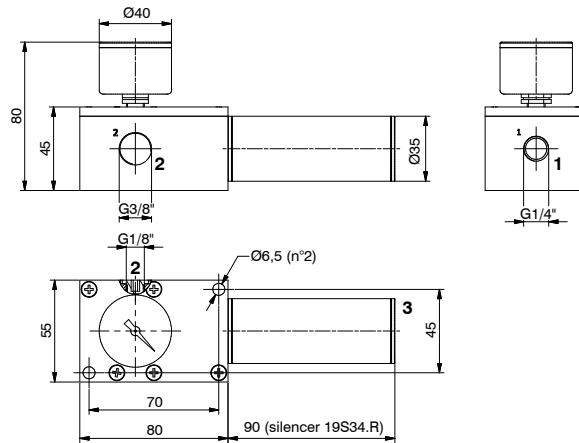
Single stage generators, robust and reliable, with compact dimensions and suitable for applications which need the required degree of vacuum to be reached quickly with limited air flows. Operating on the Venturi principle they have the vacuum connection orthogonal to the axis of supply and outlet. They can be connected directly to the suction cups and/or suction cup holder and applied in any position.



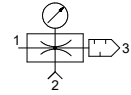
VACUUM GENERATORS

| Accessories | |
|-------------|----------------|
| 19S12.R | Silencer G1/2" |

Single stage vacuum generator G3/8"



| | |
|------------------------|------------------------------|
| Ordering code | |
| 19M38.S.18.HV.⊙ | |
| OPTIONS | |
| ⊙ | VS = vacuum gauge + silencer |
| | OS = only silencer |



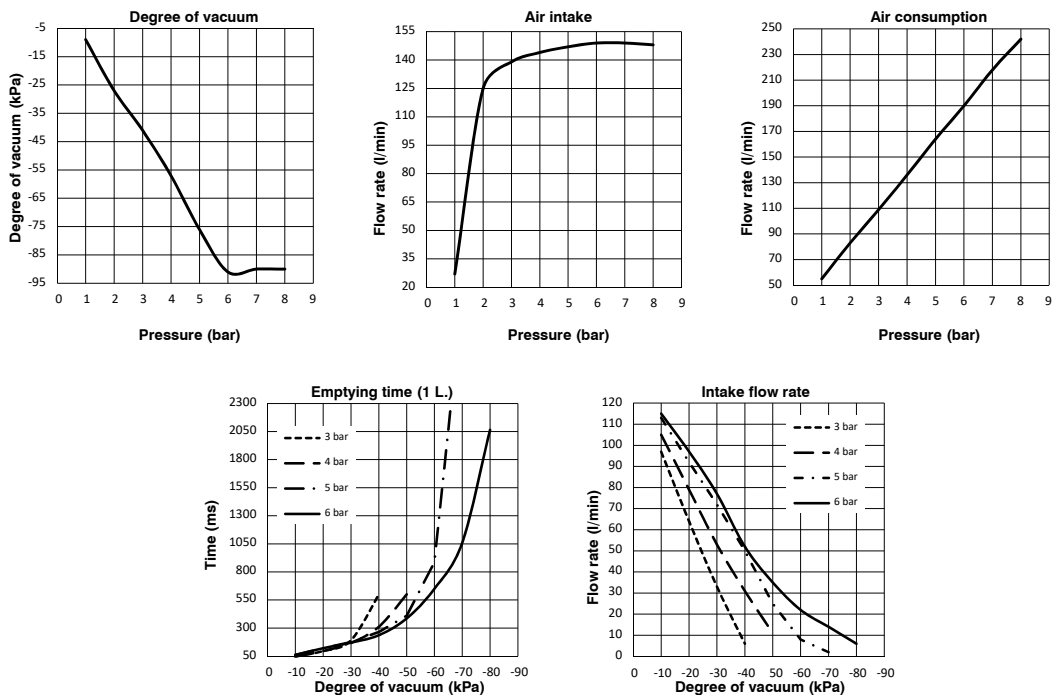
Single stage generator with high suction capacity due to a pair of nozzles mounted in parallel; they are particularly quiet thanks to a free-flow type silencer, standard-fitted with a vacuum gauge, and allows direct connection with a vacuum switch or alternatively a solenoid valve for quick detachment via direct blowing into the vacuum connection. Suitable for decentralised connection of one or more suction cups.

Operational characteristics

| | | | |
|--------------------------|-----|-----|-----|
| Inlet pressure (bar) | 2 | 4 | 6 |
| Degree of Vacuum (-kPa) | 27 | 57 | 91 |
| Intake flow rate (l/min) | 125 | 144 | 149 |
| Air consumption (l/min) | 83 | 136 | 190 |

VACUUM GENERATORS

Performance Charts



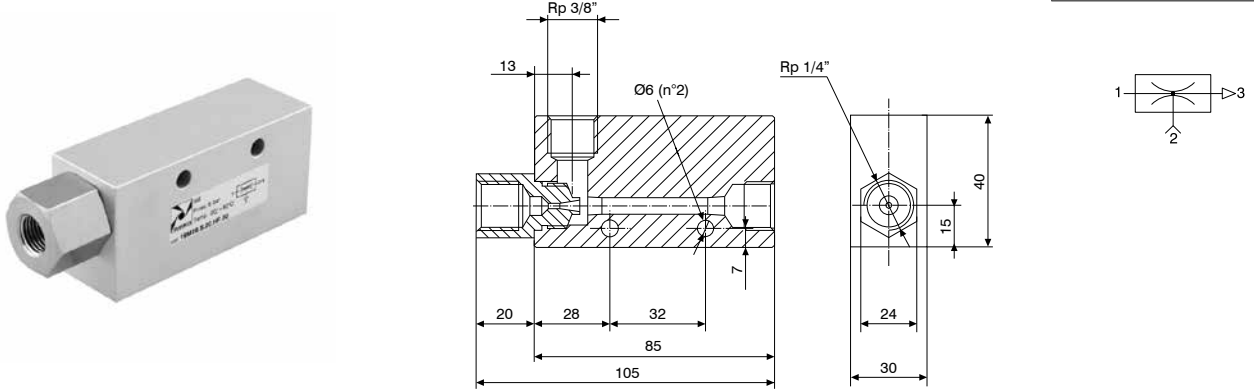
Technical characteristics

| | |
|------------------|---------------------------|
| Fluid | Unlubricated filtered air |
| Pressure (bar) | 1 ... 8 |
| Temperature (°C) | -10 ... +80 |
| Weight (g) | 450 |

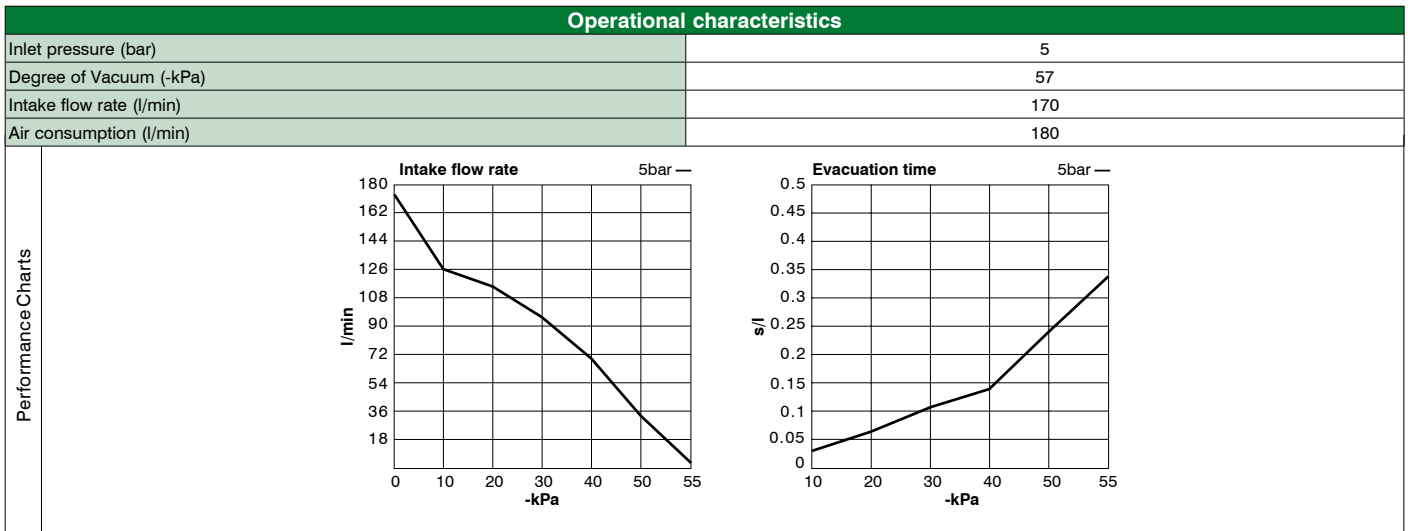


High-flow single stage vacuum generator G3/8"

Ordering code
19M38.S.20.HF.00



Single stage high suction power generators operating using a single large Venturi nozzle; particularly silent thanks to a free-low silencer which is mounted separately. Suitable for use in dusty environments and in applications where a large suction capacity and an average degree of vacuum are required (57 -kPa).



VACUUM GENERATORS

| Inlet pressure (bar) | Air consumption (l/min) | Evacuation time (s/l) at different levels of vacuum (-kPa) | | | | | | | Degree of Vacuum max. (-kPa) |
|----------------------|-------------------------|--|-----|-----|----|----|------|-----|------------------------------|
| | | 0 | 10 | 20 | 30 | 40 | 50 | 55 | |
| 5 | 180 | 170 | 125 | 115 | 95 | 70 | 35.5 | 7.5 | 57 |

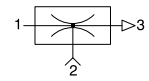
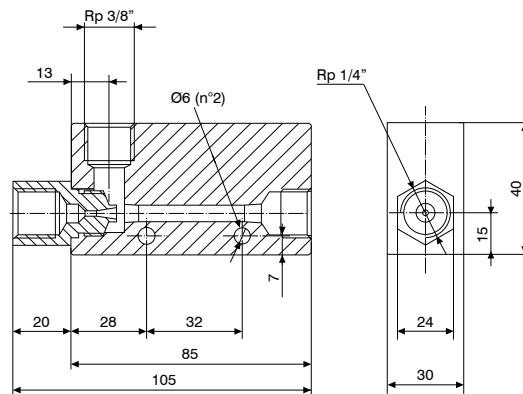
| Inlet pressure (bar) | Air consumption (l/min) | Evacuation time (s/l) at different levels of vacuum (-kPa) | | | | | | Degree of Vacuum max. (-kPa) |
|----------------------|-------------------------|--|-------|-------|-------|-------|-------|------------------------------|
| | | 10 | 20 | 30 | 40 | 50 | 55 | |
| 5 | 180 | 0.029 | 0.062 | 0.105 | 0.138 | 0.246 | 0.338 | 57 |

| Technical characteristics | |
|---------------------------|---------------------------|
| Fluid | Unlubricated filtered air |
| Pressure (bar) | 1 ... 6 |
| Temperature (°C) | 0 ... +60 |
| Weight (g) | 327 |
| Noise (dBA) | 72 |

| Accessories | |
|-------------|----------------|
| 19S12.S | Silencer G1/2" |

► **High-flow single stage vacuum generator G3/8"**

| |
|-------------------------|
| Ordering code |
| 19M38.S.20.HH.00 |

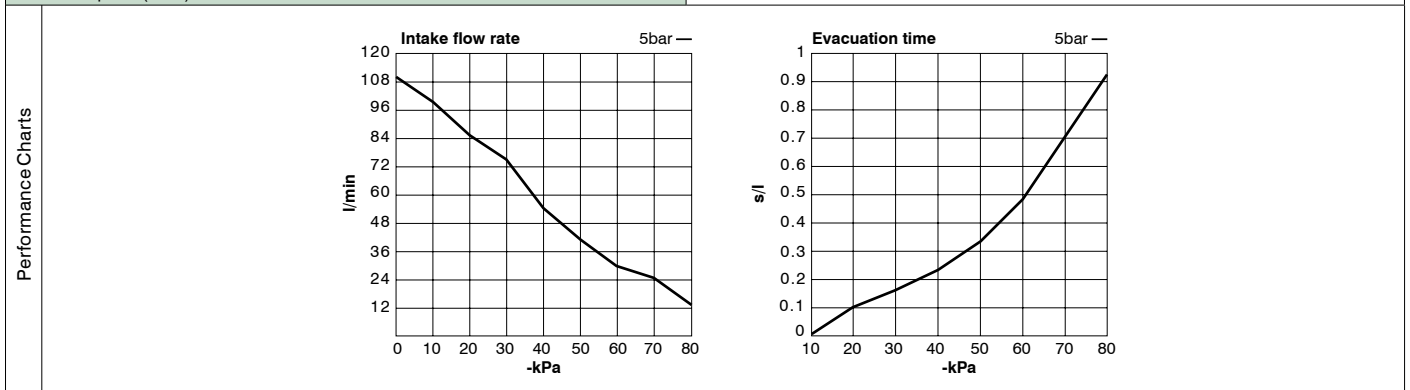


Single stage high suction power generators operating using a single large Venturi nozzle; particularly silent thanks to a free-flow silencer which is mounted separately. Suitable for use in dusty environments and in applications where a large suction capacity and a high degree of vacuum are required (92 -kPa).

VACUUM GENERATORS

Operational characteristics

| | |
|--------------------------|-----|
| Inlet pressure (bar) | 5 |
| Degree of Vacuum (-kPa) | 92 |
| Intake flow rate (l/min) | 110 |
| Air consumption (l/min) | 180 |



| Inlet pressure (bar) | Air consumption (l/min) | Evacuation time (s/l) at different levels of vacuum (-kPa) | | | | | | | | | | Degree of Vacuum max. (-kPa) |
|----------------------|-------------------------|--|-----|----|----|----|------|----|----|----|----|------------------------------|
| | | 0 | 10 | 20 | 30 | 40 | 50 | 60 | 70 | 80 | | |
| 5 | 180 | 110 | 100 | 85 | 75 | 55 | 40.5 | 30 | 20 | 12 | 92 | |

| Inlet pressure (bar) | Air consumption (l/min) | Evacuation time (s/l) at different levels of vacuum (-kPa) | | | | | | | | | | Degree of Vacuum max. (-kPa) |
|----------------------|-------------------------|--|-----|-------|------|-------|-------|-------|-------|----|--|------------------------------|
| | | 10 | 20 | 30 | 40 | 50 | 60 | 70 | 80 | | | |
| 5 | 180 | 0.043 | 0.1 | 0.167 | 0.23 | 0.338 | 0.492 | 0.707 | 0.923 | 92 | | |

Technical characteristics

| | |
|------------------|---------------------------|
| Fluid | Unlubricated filtered air |
| Pressure (bar) | 1 ... 6 |
| Temperature (°C) | 0 ... +60 |
| Weight (g) | 327 |
| Noise (dBA) | 72 |

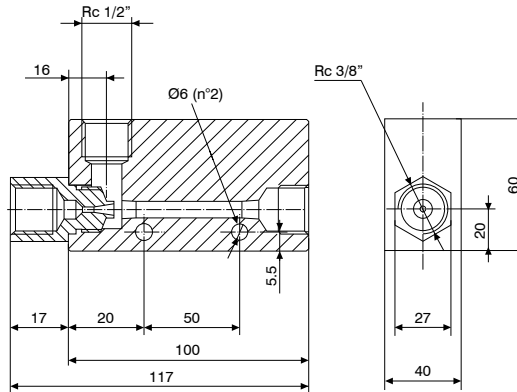
Accessories

| | |
|---------|----------------|
| 19S12.S | Silencer G1/2" |
|---------|----------------|

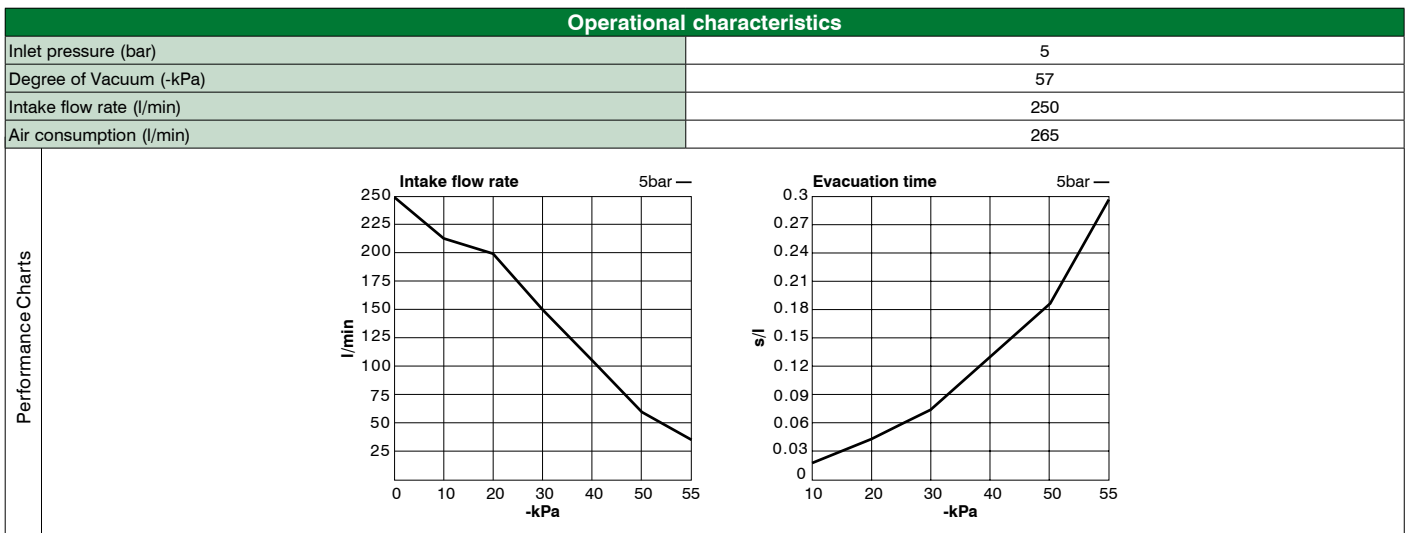


High-flow single stage vacuum generator G1/2"

Ordering code
19M12.S.25.HF.00



Single stage high suction power generators operating using a single large Venturi nozzle; particularly silent thanks to a free-flow silencer which is mounted separately. Suitable for use in dusty environments and in applications where a large suction capacity and an average degree of vacuum are required (57 -kPa).



VACUUM GENERATORS

| Inlet pressure (bar) | Air consumption (l/min) | Evacuation time (s/l) at different levels of vacuum (-kPa) | | | | | | | Degree of Vacuum max. (-kPa) |
|----------------------|-------------------------|--|-----|-----|-----|-----|----|----|------------------------------|
| | | 0 | 10 | 20 | 30 | 40 | 50 | 55 | |
| 5 | 265 | 250 | 215 | 200 | 150 | 105 | 60 | 36 | 57 |

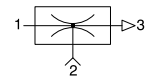
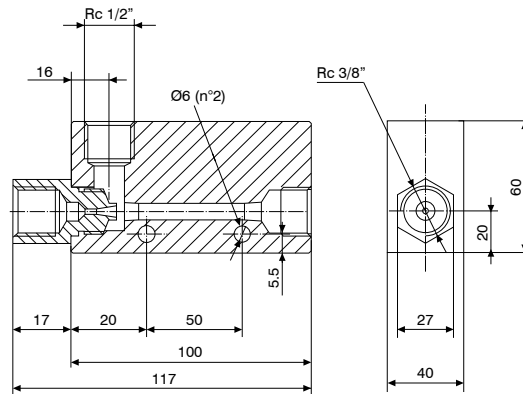
| Inlet pressure (bar) | Air consumption (l/min) | Evacuation time (s/l) at different levels of vacuum (-kPa) | | | | | | | Degree of Vacuum max. (-kPa) |
|----------------------|-------------------------|--|-------|-------|-------|-------|-----|----|------------------------------|
| | | 10 | 20 | 30 | 40 | 50 | 55 | | |
| 5 | 265 | 0.021 | 0.046 | 0.076 | 0.123 | 0.184 | 0.3 | 57 | |

| Technical characteristics | |
|---------------------------|---------------------------|
| Fluid | Unlubricated filtered air |
| Pressure (bar) | 1 ... 6 |
| Temperature (°C) | 0 ... +60 |
| Weight (g) | 660 |
| Noise (dBA) | 75 |

| Accessories | |
|-------------|----------------|
| 19S34.R | Silencer G3/4" |

► **High-flow single stage vacuum generator G1/2"**

| |
|-------------------------|
| Ordering code |
| 19M12.S.25.HH.00 |

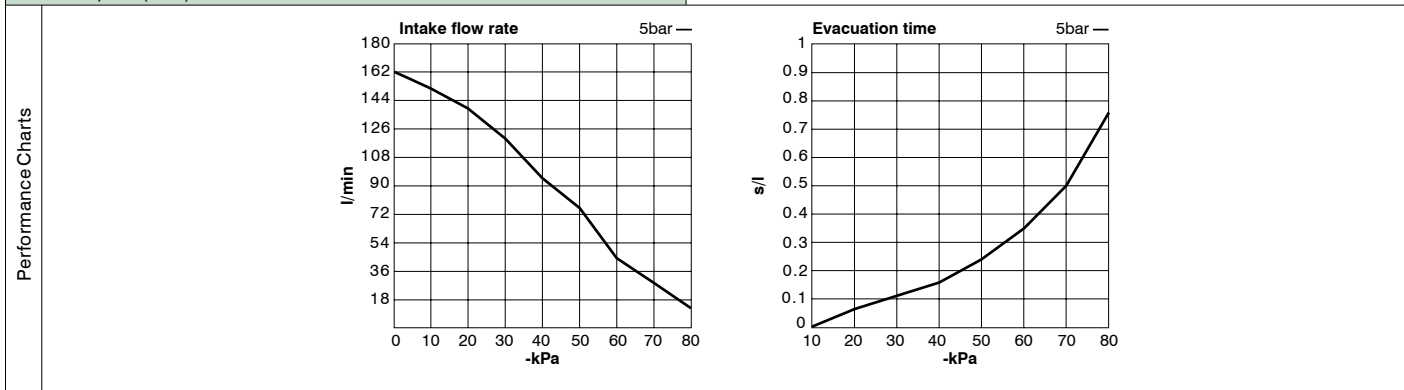


Single stage high suction power generators operating using a single large Venturi nozzle; particularly silent thanks to a free-flow silencer which is mounted separately. Suitable for use in dusty environments and in applications where a large suction capacity and a high degree of vacuum are required (92 -kPa).

VACUUM GENERATORS

Operational characteristics

| | |
|--------------------------|-----|
| Inlet pressure (bar) | 5 |
| Degree of Vacuum (-kPa) | 92 |
| Intake flow rate (l/min) | 160 |
| Air consumption (l/min) | 265 |



| Inlet pressure (bar) | Air consumption (l/min) | Evacuation time (s/l) at different levels of vacuum (-kPa) | | | | | | | | | | Degree of Vacuum max. (-kPa) |
|----------------------|-------------------------|--|-----|-----|-----|----|----|----|----|----|----|------------------------------|
| | | 0 | 10 | 20 | 30 | 40 | 50 | 60 | 70 | 80 | | |
| 5 | 265 | 160 | 155 | 140 | 120 | 95 | 72 | 47 | 28 | 15 | 92 | |

| Inlet pressure (bar) | Air consumption (l/min) | Evacuation time (s/l) at different levels of vacuum (-kPa) | | | | | | | | | | Degree of Vacuum max. (-kPa) |
|----------------------|-------------------------|--|-------|-------|-------|-------|-------|-------|-------|----|--|------------------------------|
| | | 10 | 20 | 30 | 40 | 50 | 60 | 70 | 80 | | | |
| 5 | 265 | 0.03 | 0.069 | 0.112 | 0.168 | 0.241 | 0.345 | 0.494 | 0.753 | 92 | | |

Technical characteristics

| | |
|------------------|---------------------------|
| Fluid | Unlubricated filtered air |
| Pressure (bar) | 1 ... 6 |
| Temperature (°C) | 0 ... +60 |
| Weight (g) | 660 |
| Noise (dBA) | 75 |

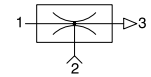
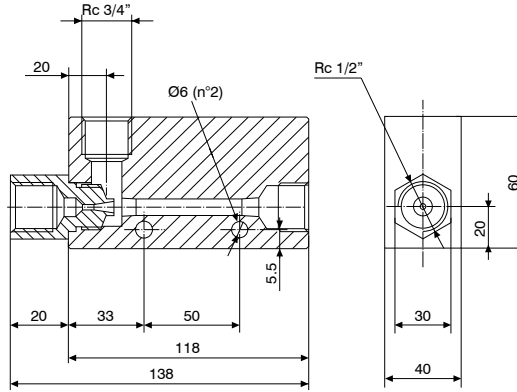
Accessories

| | |
|---------|----------------|
| 19S34.R | Silencer G3/4" |
|---------|----------------|

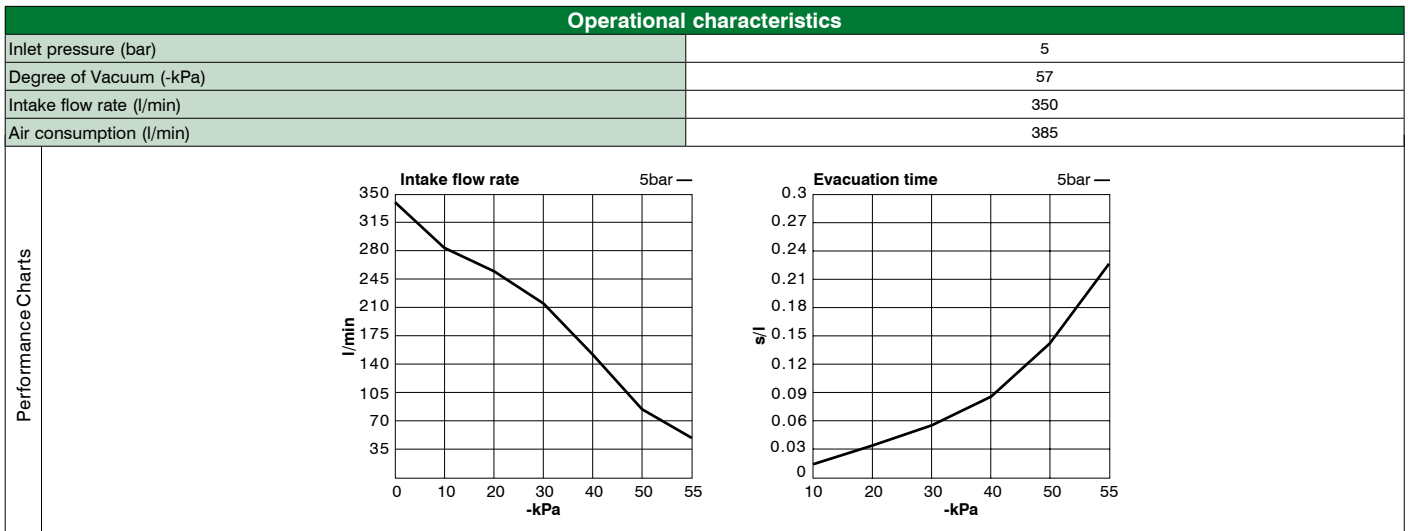


High-flow single stage vacuum generator G3/4"

Ordering code
19M34.S.30.HF.00



Single stage high suction power generators operating using a single large Venturi nozzle; particularly silent thanks to a free-flow silencer which is mounted separately. Suitable for use in dusty environments and in applications where a large suction capacity and an average degree of vacuum are required (57 -kPa).



VACUUM GENERATORS

| Inlet pressure (bar) | Air consumption (l/min) | Evacuation time (s/l) at different levels of vacuum (-kPa) | | | | | | | Degree of Vacuum max. (-kPa) |
|----------------------|-------------------------|--|-----|-----|-----|-----|----|----|------------------------------|
| | | 0 | 10 | 20 | 30 | 40 | 50 | 55 | |
| 5 | 385 | 350 | 295 | 267 | 215 | 150 | 85 | 41 | 57 |

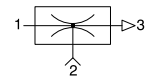
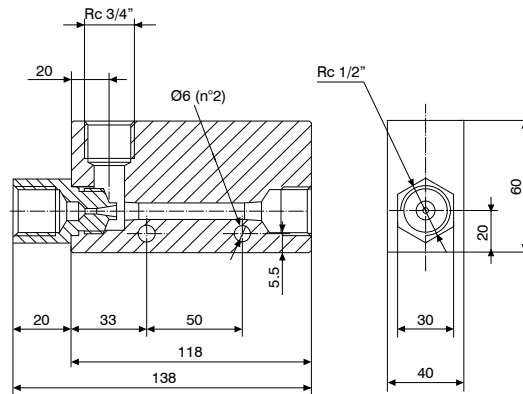
| Inlet pressure (bar) | Air consumption (l/min) | Evacuation time (s/l) at different levels of vacuum (-kPa) | | | | | | Degree of Vacuum max. (-kPa) |
|----------------------|-------------------------|--|-------|-------|-------|-------|-------|------------------------------|
| | | 10 | 20 | 30 | 40 | 50 | 55 | |
| 5 | 385 | 0.017 | 0.035 | 0.058 | 0.086 | 0.132 | 0.219 | 57 |

| Technical characteristics | |
|---------------------------|---------------------------|
| Fluid | Unlubricated filtered air |
| Pressure (bar) | 1 ... 6 |
| Temperature (°C) | 0 ... +60 |
| Weight (g) | 774 |
| Noise (dBA) | 75 |

| Accessories | |
|-------------|----------------|
| 19S34.R | Silencer G3/4" |

► **High-flow single stage vacuum generator G3/4"**

| |
|-------------------------|
| Ordering code |
| 19M34.S.30.HH.00 |

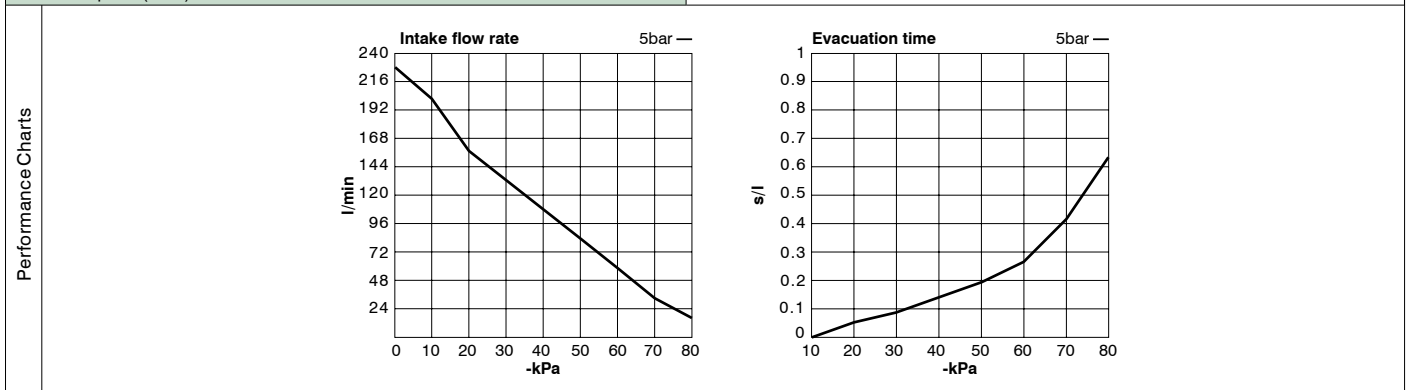


Single stage high suction power generators operating using a single large Venturi nozzle; particularly silent thanks to a free-flow silencer which is mounted separately. Suitable for use in dusty environments and in applications where a large suction capacity and a high degree of vacuum are required (92 -kPa).

VACUUM GENERATORS

Operational characteristics

| | |
|--------------------------|-----|
| Inlet pressure (bar) | 5 |
| Degree of Vacuum (-kPa) | 92 |
| Intake flow rate (l/min) | 225 |
| Air consumption (l/min) | 385 |



| Inlet pressure (bar) | Air consumption (l/min) | Evacuation time (s/l) at different levels of vacuum (-kPa) | | | | | | | | | | Degree of Vacuum max. (-kPa) |
|----------------------|-------------------------|--|-----|-----|-----|-----|----|----|----|----|----|------------------------------|
| | | 0 | 10 | 20 | 30 | 40 | 50 | 60 | 70 | 80 | | |
| 5 | 385 | 225 | 200 | 160 | 135 | 105 | 78 | 55 | 33 | 19 | 92 | |

| Inlet pressure (bar) | Air consumption (l/min) | Evacuation time (s/l) at different levels of vacuum (-kPa) | | | | | | | | | | Degree of Vacuum max. (-kPa) |
|----------------------|-------------------------|--|-------|-------|-------|-------|-------|-------|-------|----|--|------------------------------|
| | | 10 | 20 | 30 | 40 | 50 | 60 | 70 | 80 | | | |
| 5 | 385 | 0.029 | 0.058 | 0.092 | 0.136 | 0.196 | 0.265 | 0.406 | 0.625 | 92 | | |

Technical characteristics

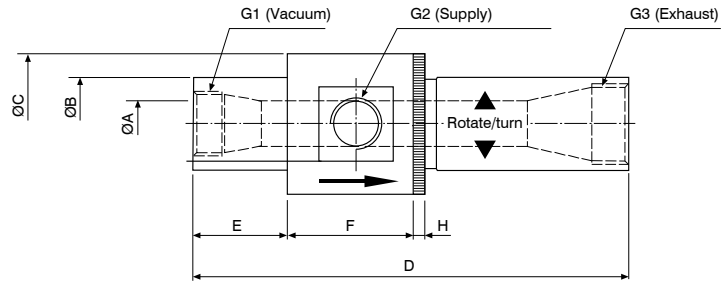
| | |
|------------------|---------------------------|
| Fluid | Unlubricated filtered air |
| Pressure (bar) | 1 ... 6 |
| Temperature (°C) | 0 ... +60 |
| Weight (g) | 774 |
| Noise (dBA) | 75 |

Accessories

| | |
|---------|----------------|
| 19S34.R | Silencer G3/4" |
|---------|----------------|



Adjustable vacuum generator conveyor



| Code | ØA | ØB | ØC | D | E | F | H | G1 | G2 | G3 | Weight (g) |
|------------------|-----|----|----|---------|----|----|---|-------|-------|-------|------------|
| 19M14.S.00.SS.RG | 6.5 | 19 | 32 | 94-105 | 22 | 32 | 5 | G1/4" | G1/8" | G1/4" | 96 |
| 19M38.S.00.SS.RG | 10 | 25 | 45 | 155-165 | 38 | 45 | 5 | G3/8" | G3/8" | G1/2" | 271.6 |
| 19M12.S.00.SS.RG | 13 | 32 | 51 | 155-160 | 38 | 51 | 5 | G1/2" | G3/8" | G3/4" | 377.2 |
| 19M34.S.00.SS.RG | 19 | 38 | 58 | 175-189 | 38 | 51 | 5 | G3/4" | G1/2" | G1" | 526.8 |

Based on the Ventury principle, these differ from traditional ones because they have a much better ejector and are adjustable, this characteristic makes it possible to change the device's low rate and degree of vacuum without affecting the inlet pressure. Their special shape and their operating principle make them suitable for suction and the transfer of powders, granules, sawdust, metal chips, liquid or dry food products, etc., to control suction cups in the presence of large quantities of powders or liquids; these can also be used to suction smoke, coolant fog, water vapour, etc.

| Operational characteristics | |
|-------------------------------|------------------|
| Inlet pressure (bar) | 4 ... 6 (Max. 7) |
| Max. Degree of Vacuum (-kPa) | 84 |
| Max. Intake flow rate (l/min) | 3390 |
| Max. Air consumption (l/min) | 2550 |

| Code | Degree of Vacuum (-kPa) | Inlet pressure (bar) | | | | |
|------------------|-------------------------|----------------------|-----|------|------|------|
| | | 5.5 | | | | |
| | | 17 | 34 | 50 | 68 | 84 |
| 19M14.S.00.SS.RG | Air consumption (l/min) | 112 | 169 | 233 | 276 | 342 |
| 19M38.S.00.SS.RG | | 176 | 327 | 485 | 595 | 825 |
| 19M12.S.00.SS.RG | | 340 | 625 | 795 | 940 | 1280 |
| 19M34.S.00.SS.RG | | 650 | 875 | 1250 | 1790 | 2550 |

| Code | Degree of Vacuum (-kPa) | Inlet pressure (bar) | | | | |
|------------------|--------------------------|----------------------|------|------|------|------|
| | | 5.5 | | | | |
| | | 17 | 34 | 50 | 68 | 84 |
| 19M14.S.00.SS.RG | Intake flow rate (l/min) | 280 | 240 | 200 | 162 | 125 |
| 19M38.S.00.SS.RG | | 846 | 735 | 620 | 520 | 395 |
| 19M12.S.00.SS.RG | | 1695 | 1325 | 1130 | 990 | 650 |
| 19M34.S.00.SS.RG | | 3390 | 2460 | 1970 | 1440 | 1130 |

| Accessories | | Description |
|-------------|----------------|----------------------|
| 19S14.S | Silencer G1/4" | for 19M14.S.00.SS.RG |
| 19S12.R | Silencer G1/2" | for 19M38.S.00.SS.RG |
| 19S34.R | Silencer G3/4" | for 19M12.S.00.SS.RG |
| 19S10.R | Silencer G1" | for 19M34.S.00.SS.RG |

VACUUM GENERATORS

Multistage vacuum generators

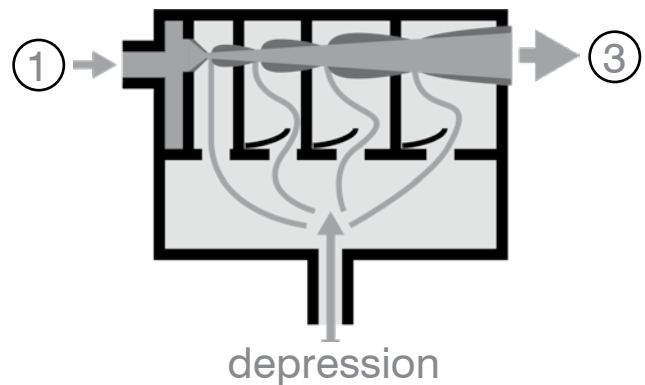
Compact generators, composed of several modules according to the required performance to obtain high suction capacity with low consumption and high vacuum degrees.



Performance and application

The multistage vacuum generators base their operating characteristics on the Venturi principle. The compressed air is manipulated to flow at high speed in port 1 which constitutes the first stage of the vacuum generator and in the subsequent stages, following the entrainment of the surrounding air, a depression is created.

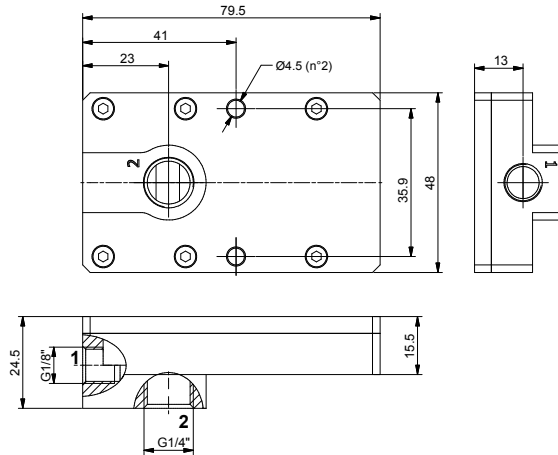
The advantage of multistage vacuum generator is in the optimization of the kinetic energy. Injecting the compressed air through multiple nozzles generates an improve volumetric flow rate (Compared to a single stage unit) whilst using a lower consumption of compressed air.



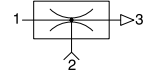


Series 1900

Multistage vacuum generator G1/4"



Ordering code
19M14.M.09.SS.00



As a function of the modules (nozzles 2-4- 6-8) used, offer exactly the right performance for the most varied of industrial applications. They ensure a low level of noise thanks to the sound-absorbent material inside of them.

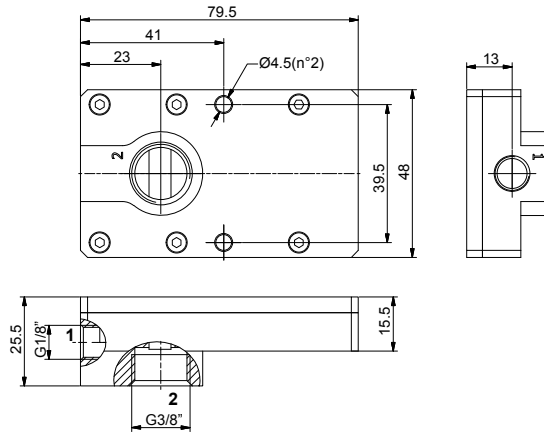
| Operational characteristics | | | |
|-----------------------------|----|----|----|
| Inlet pressure (bar) | 2 | 4 | 6 |
| Degree of Vacuum (-kPa) | 41 | 89 | 87 |
| Intake flow rate (l/min) | 26 | 50 | 55 |
| Air consumption (l/min) | 19 | 35 | 47 |

| Technical characteristics | |
|---------------------------|---------------------------|
| Fluid | Unlubricated filtered air |
| Pressure (bar) | 1 ... 8 |
| Temperature (°C) | -10 ... +80 |
| Weight (g) | 132 |

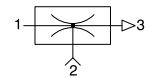
VACUUM GENERATORS

Performance Charts

Multistage vacuum generator G3/8"



Ordering code
19M38.M.12.SS.00



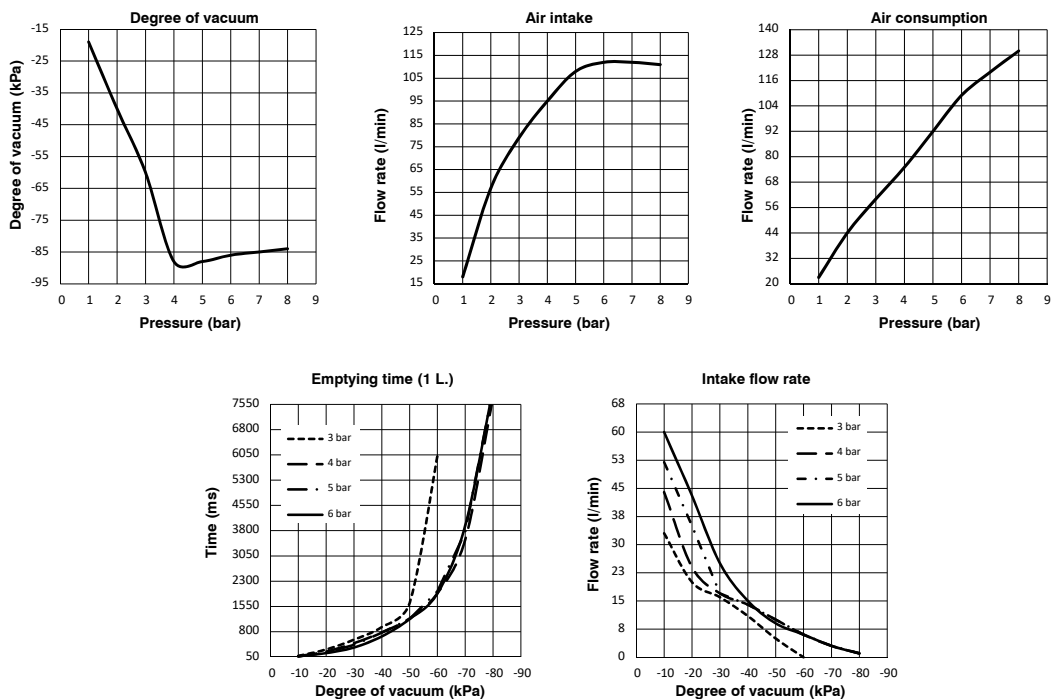
As a function of the modules (nozzles 2-4- 6-8) used, offer exactly the right performance for the most varied of industrial applications. They ensure a low level of noise thanks to the sound-absorbent material inside of them.

VACUUM GENERATORS

Operational characteristics

| | | | |
|--------------------------|----|----|-----|
| Inlet pressure (bar) | 2 | 4 | 6 |
| Degree of Vacuum (-kPa) | 40 | 88 | 86 |
| Intake flow rate (l/min) | 57 | 95 | 112 |
| Air consumption (l/min) | 44 | 75 | 109 |

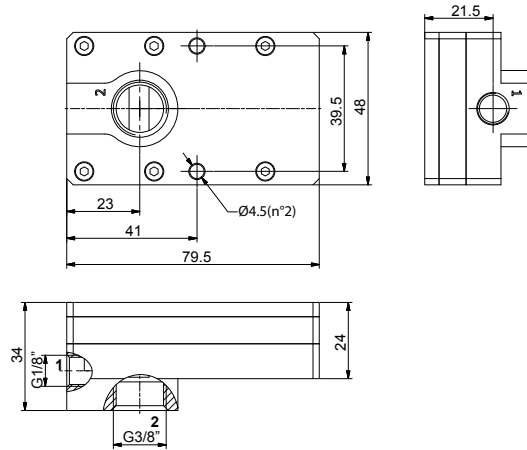
Performance Charts



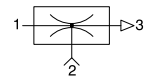
Technical characteristics

| | |
|------------------|---------------------------|
| Fluid | Unlubricated filtered air |
| Pressure (bar) | 1 ... 8 |
| Temperature (°C) | -10 ... +80 |
| Weight (g) | 132 |

Multistage vacuum generator G3/8"



Ordering code
19M38.M.15.SS.00



As a function of the modules (nozzles 2-4- 6-8) used, offer exactly the right performance for the most varied of industrial applications. They ensure a low level of noise thanks to the sound-absorbent material inside of them.

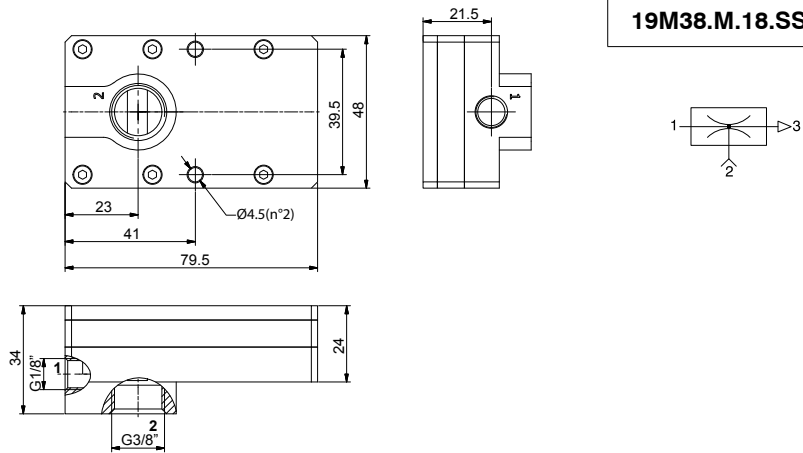
| Operational characteristics | | | |
|-----------------------------|----|-----|-----|
| Inlet pressure (bar) | 2 | 4 | 6 |
| Degree of Vacuum (-kPa) | 40 | 86 | 83 |
| Intake flow rate (l/min) | 90 | 131 | 140 |
| Air consumption (l/min) | 57 | 94 | 133 |

| Technical characteristics | |
|---------------------------|---------------------------|
| Fluid | Unlubricated filtered air |
| Pressure (bar) | 1 ... 8 |
| Temperature (°C) | -10 ... +80 |
| Weight (g) | 178 |

VACUUM GENERATORS

Multistage vacuum generator G3/8"

Ordering code
19M38.M.18.SS.00



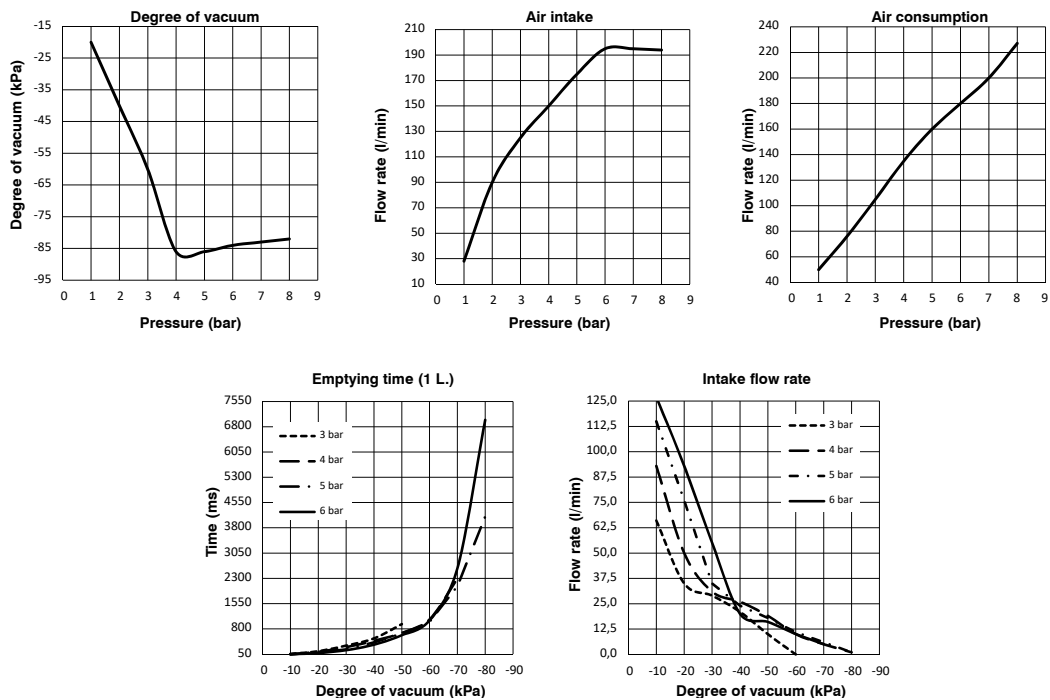
As a function of the modules (nozzles 2-4- 6-8) used, offer exactly the right performance for the most varied of industrial applications. They ensure a low level of noise thanks to the sound-absorbent material inside of them.

VACUUM GENERATORS

Operational characteristics

| | | | |
|--------------------------|----|-----|-----|
| Inlet pressure (bar) | 2 | 4 | 6 |
| Degree of Vacuum (-kPa) | 40 | 86 | 84 |
| Intake flow rate (l/min) | 90 | 150 | 195 |
| Air consumption (l/min) | 76 | 135 | 180 |

Performance Charts



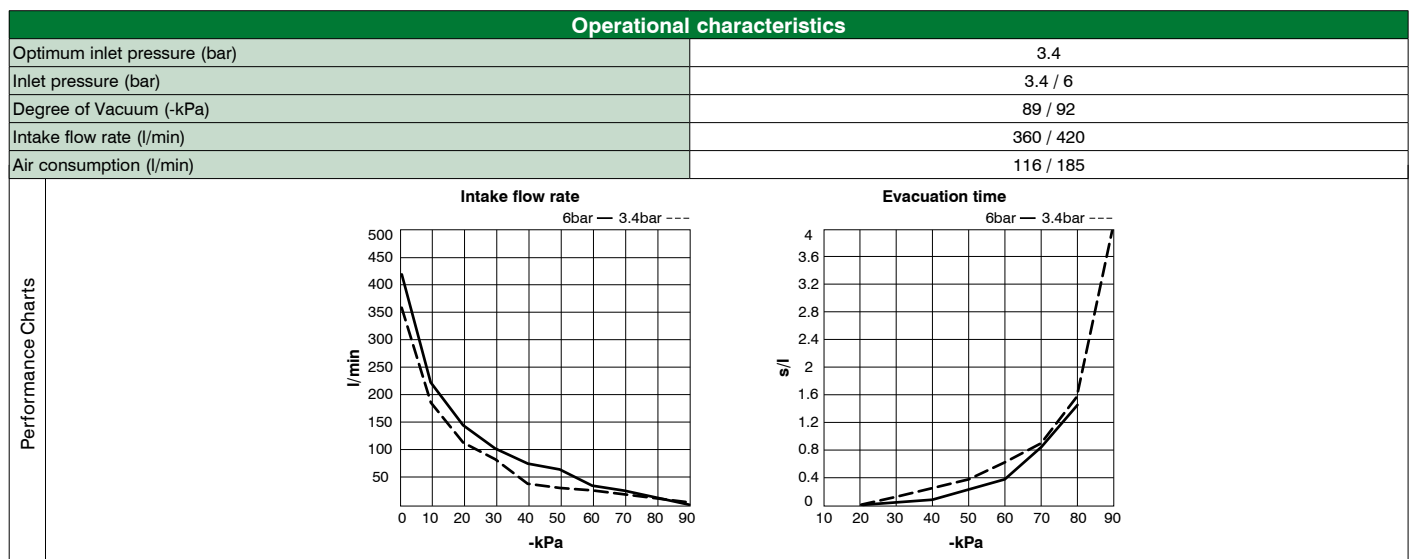
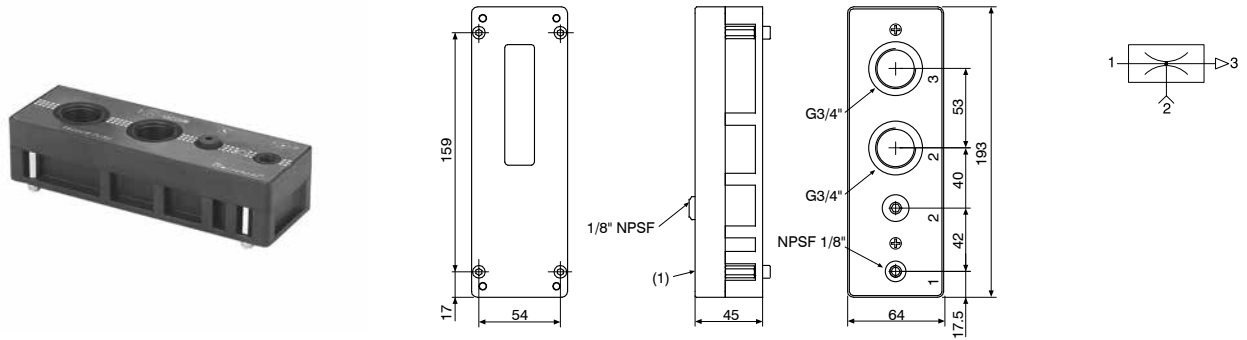
Technical characteristics

| | |
|------------------|---------------------------|
| Fluid | Unlubricated filtered air |
| Pressure (bar) | 1 ... 8 |
| Temperature (°C) | -10 ... +80 |
| Weight (g) | 178 |



Multistage high flow vacuum generator G3/4"

Ordering code
19T34.M.32.HF.QQ



| Inlet pressure (bar) | Air consumption (l/min) | Evacuation time (s/l) at different levels of vacuum (-kPa) | | | | | | | | | | Degree of Vacuum max. (-kPa) |
|----------------------|-------------------------|--|-----|-----|-----|----|----|------|------|-----|-----|------------------------------|
| | | 0 | 10 | 20 | 30 | 40 | 50 | 60 | 70 | 80 | 90 | |
| 3.4 | 116 | 360 | 180 | 115 | 80 | 43 | 30 | 22.5 | 15.5 | 7.5 | 1.2 | 92 |
| 6 | 185 | 420 | 240 | 125 | 100 | 82 | 65 | 38 | 12.5 | 3.5 | / | 89 |

| Inlet pressure (bar) | Air consumption (l/min) | Evacuation time (s/l) at different levels of vacuum (-kPa) | | | | | | | | | | Degree of Vacuum max. (-kPa) |
|----------------------|-------------------------|--|------|------|------|------|------|------|------|----|----|------------------------------|
| | | 10 | 20 | 30 | 40 | 50 | 60 | 70 | 80 | 90 | | |
| 3.4 | 116 | 0.022 | 0.06 | 0.11 | 0.21 | 0.4 | 0.65 | 0.95 | 1.60 | 4 | 92 | |
| 6 | 185 | 0.018 | 0.05 | 0.08 | 0.18 | 0.25 | 0.40 | 0.62 | 1.55 | / | 89 | |

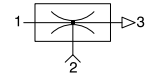
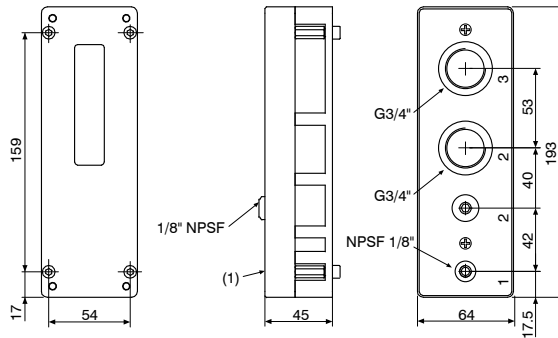
| Technical characteristics | |
|---------------------------|---------------------------|
| Fluid | Unlubricated filtered air |
| Inlet pressure (bar) | 3,4 ... 6 |
| Noise (dBA) | 93 |
| Temperature (°C) | -20 ... +80 |
| Material | PPS, SS, PA, NBR |
| Weight (g) | 675 |

| Accessories | |
|-------------|------------------------|
| 19S34.R | Reduced silencer G3/4" |
| 19S34.S | Silencer G3/4" |

VACUUM GENERATORS

Multistage high flow vacuum generator G3/4"

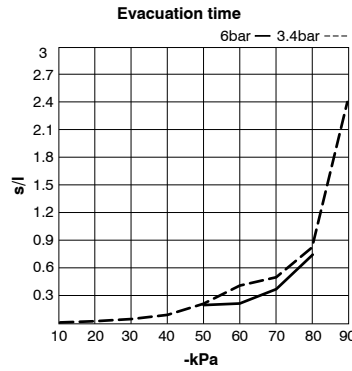
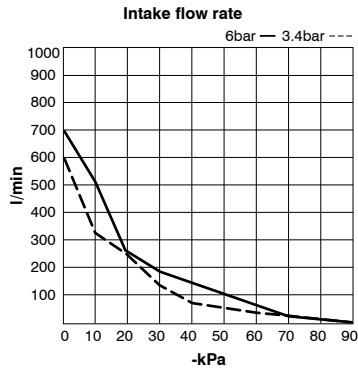
Ordering code
19T34.M.41.HF.QQ



Operational characteristics

| | |
|------------------------------|-----------|
| Optimum inlet pressure (bar) | 3.4 |
| Inlet pressure (bar) | 3.4 / 6 |
| Degree of Vacuum (-kPa) | 89 / 92 |
| Intake flow rate (l/min) | 600 / 700 |
| Air consumption (l/min) | |

Performance Charts



| Inlet pressure (bar) | Air consumption (l/min) | Evacuation time (s/l) at different levels of vacuum (-kPa) | | | | | | | | | | Degree of Vacuum max. (-kPa) |
|----------------------|-------------------------|--|-----|-----|-----|-----|-----|----|----|----|-----|------------------------------|
| | | 0 | 10 | 20 | 30 | 40 | 50 | 60 | 70 | 80 | 90 | |
| 3.4 | 230 | 600 | 320 | 250 | 135 | 75 | 60 | 46 | 30 | 13 | 1.5 | 92 |
| 6 | 370 | 700 | 510 | 290 | 195 | 160 | 115 | 70 | 22 | 8 | / | 89 |

| Inlet pressure (bar) | Air consumption (l/min) | Evacuation time (s/l) at different levels of vacuum (-kPa) | | | | | | | | | | Degree of Vacuum max. (-kPa) |
|----------------------|-------------------------|--|-------|-------|------|------|------|------|------|-----|----|------------------------------|
| | | 10 | 20 | 30 | 40 | 50 | 60 | 70 | 80 | 90 | | |
| 3.4 | 230 | 0.014 | 0.031 | 0.06 | 0.10 | 0.20 | 0.34 | 0.50 | 0.80 | 2.5 | 92 | |
| 6 | 370 | 0.01 | 0.022 | 0.048 | 0.08 | 0.11 | 0.20 | 0.35 | 0.78 | / | 89 | |

Technical characteristics

| | |
|---------------------------|---------------------------|
| Fluid | Unlubricated filtered air |
| Max. inlet pressure (bar) | 3,4 ... 6 |
| Noise (dBA) | 92 |
| Temperature (°C) | -20 ... +80 |
| Material | PPS, SS, PA, NBR |
| Weight (g) | 675 |

Accessories

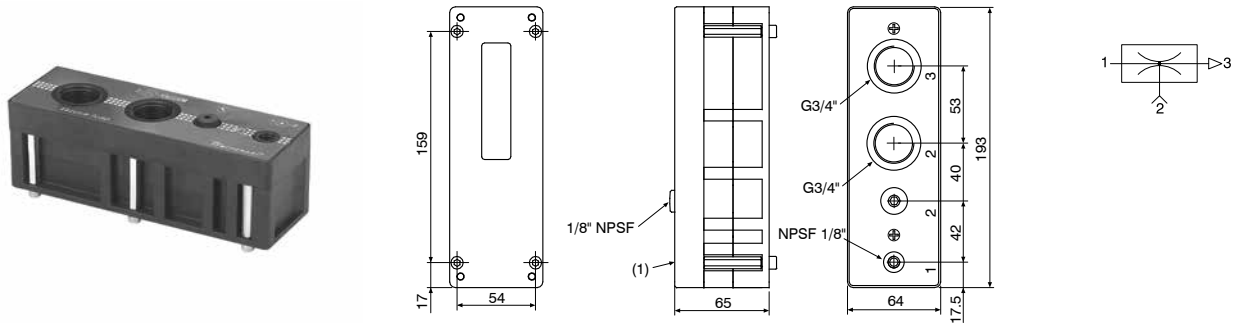
| | |
|---------|------------------------|
| 19S34.R | Reduced silencer G3/4" |
| 19S34.S | Silencer G3/4" |

VACUUM GENERATORS



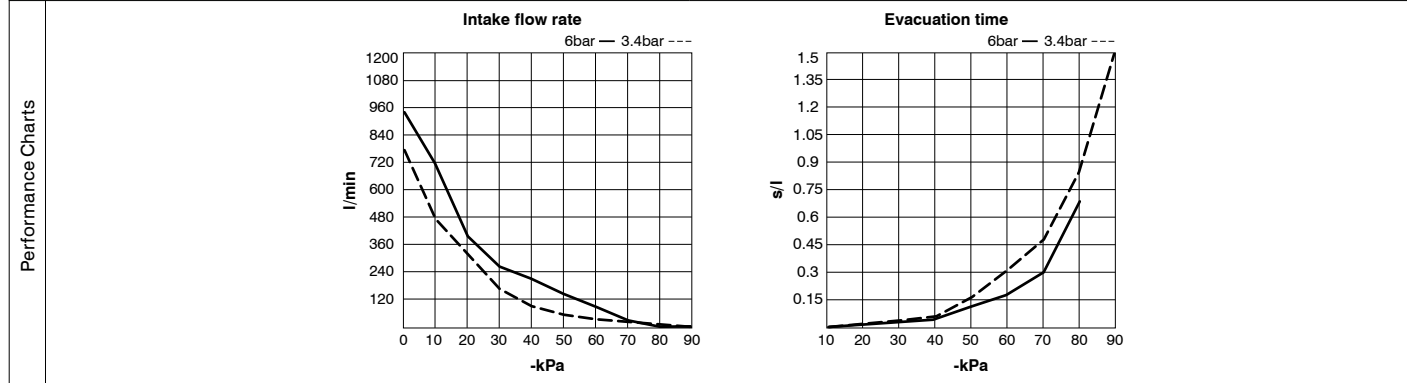
Multistage high flow vacuum generator G3/4"

Ordering code
19T34.M.46.HF.QQ



Operational characteristics

| | |
|------------------------------|-----------|
| Optimum inlet pressure (bar) | 3.4 |
| Inlet pressure (bar) | 3.4 / 6 |
| Degree of Vacuum (-kPa) | 89 / 92 |
| Intake flow rate (l/min) | 760 / 950 |
| Air consumption (l/min) | 365 / 610 |



| Inlet pressure (bar) | Air consumption (l/min) | Evacuation time (s/l) at different levels of vacuum (-kPa) | | | | | | | | | | Degree of Vacuum max. (-kPa) |
|----------------------|-------------------------|--|-----|-----|-----|-----|-----|-----|----|----|-----|------------------------------|
| | | 0 | 10 | 20 | 30 | 40 | 50 | 60 | 70 | 80 | 90 | |
| 3.4 | 365 | 760 | 445 | 340 | 175 | 110 | 85 | 70 | 43 | 20 | 1.8 | 92 |
| 6 | 610 | 950 | 710 | 380 | 285 | 230 | 170 | 100 | 32 | 11 | / | 89 |

| Inlet pressure (bar) | Air consumption (l/min) | Evacuation time (s/l) at different levels of vacuum (-kPa) | | | | | | | | | | Degree of Vacuum max. (-kPa) |
|----------------------|-------------------------|--|-------|-------|-------|------|------|------|------|-----|----|------------------------------|
| | | 10 | 20 | 30 | 40 | 50 | 60 | 70 | 80 | 90 | | |
| 3.4 | 365 | 0.012 | 0.029 | 0.058 | 0.095 | 0.18 | 0.31 | 0.46 | 0.89 | 1.5 | 92 | |
| 6 | 610 | 0.009 | 0.019 | 0.045 | 0.075 | 0.13 | 0.18 | 0.31 | 0.70 | / | 89 | |

Technical characteristics

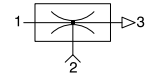
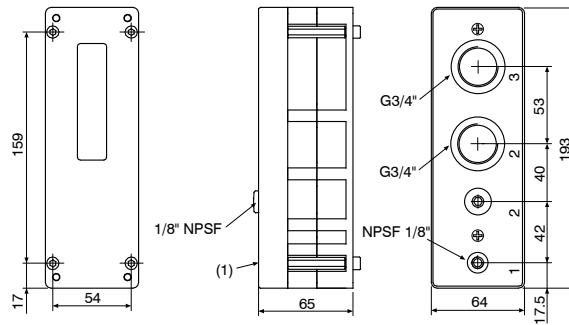
| | |
|---------------------------|---------------------------|
| Fluid | Unlubricated filtered air |
| Max. inlet pressure (bar) | 3,4 ... 6 |
| Noise (dBA) | 93 |
| Temperature (°C) | -20 ... +80 |
| Material | PPS, SS, PA, NBR |
| Weight (g) | 837 |

| Accessories | |
|-------------|------------------------|
| 19S34.R | Reduced silencer G3/4" |
| 19S34.S | Silencer G3/4" |

VACUUM GENERATORS

Multistage high flow vacuum generator G3/4"

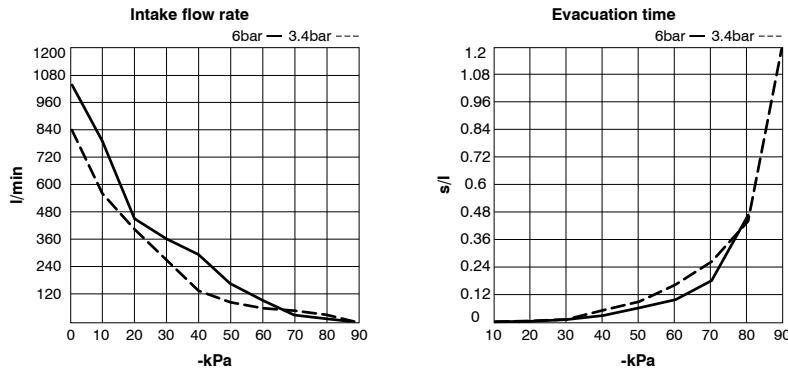
Ordering code
19T34.M.52.HF.QQ



Operational characteristics

| | |
|------------------------------|------------|
| Optimum inlet pressure (bar) | 3.4 |
| Inlet pressure (bar) | 3.4 / 6 |
| Degree of Vacuum (-kPa) | 89 / 92 |
| Intake flow rate (l/min) | 850 / 1010 |
| Air consumption (l/min) | 445 / 720 |

Performance Charts



VACUUM GENERATORS

| Inlet pressure (bar) | Air consumption (l/min) | Evacuation time (s/l) at different levels of vacuum (-kPa) | | | | | | | | | | Degree of Vacuum max. (-kPa) |
|----------------------|-------------------------|--|-----|-----|-----|-----|-----|-----|----|------|-----|------------------------------|
| | | 0 | 10 | 20 | 30 | 40 | 50 | 60 | 70 | 80 | 90 | |
| 3.4 | 445 | 850 | 550 | 430 | 280 | 145 | 115 | 85 | 60 | 28 | 2.2 | 92 |
| 6 | 720 | 1010 | 800 | 460 | 385 | 310 | 215 | 125 | 42 | 15.5 | / | 89 |

| Inlet pressure (bar) | Air consumption (l/min) | Evacuation time (s/l) at different levels of vacuum (-kPa) | | | | | | | | | | Degree of Vacuum max. (-kPa) |
|----------------------|-------------------------|--|-------|-------|-------|------|------|------|------|-----|----|------------------------------|
| | | 10 | 20 | 30 | 40 | 50 | 60 | 70 | 80 | 90 | | |
| 3.4 | 445 | 0.010 | 0.025 | 0.043 | 0.075 | 0.11 | 0.19 | 0.27 | 0.45 | 1.2 | 92 | |
| 6 | 720 | 0.007 | 0.018 | 0.038 | 0.055 | 0.08 | 0.12 | 0.19 | 0.47 | / | 89 | |

Technical characteristics

| | |
|---------------------------|---------------------------|
| Fluid | Unlubricated filtered air |
| Max. inlet pressure (bar) | 3.4 ... 6 |
| Noise (dBA) | 88 |
| Temperature (°C) | -20 ... +80 |
| Material | PPS, SS, PA, NBR |
| Weight (g) | 837 |

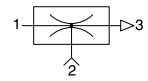
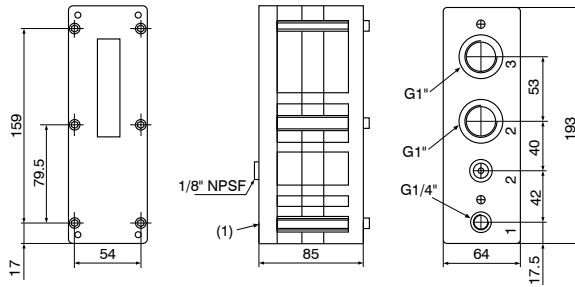
Accessories

| | |
|---------|------------------------|
| 19S34.R | Reduced silencer G3/4" |
| 19S34.S | Silencer G3/4" |



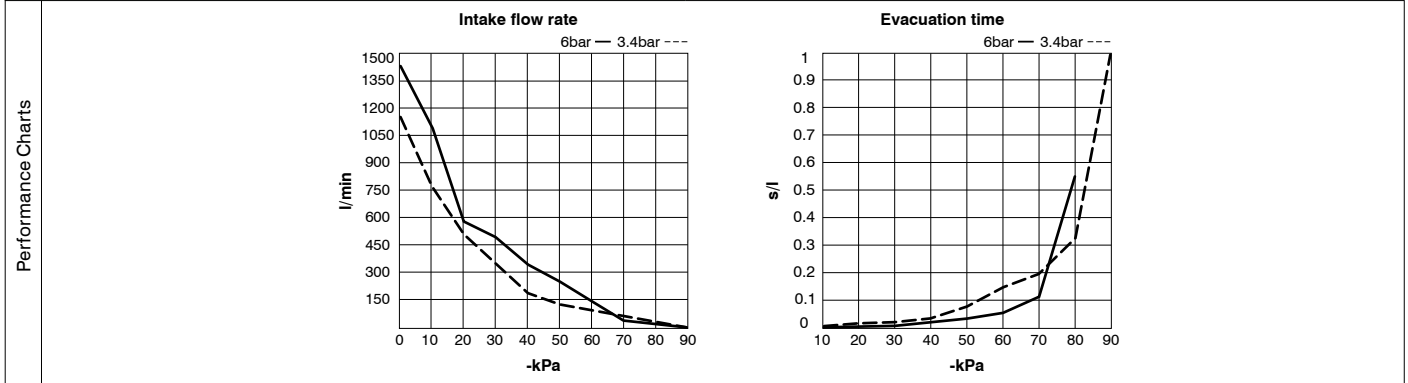
Multistage high flow vacuum generator G1"

Ordering code
19TG1.M.58.HF.PP



Operational characteristics

| | |
|------------------------------|-------------|
| Optimum inlet pressure (bar) | 3.4 |
| Inlet pressure (bar) | 3.4 / 6 |
| Degree of Vacuum (-kPa) | 89 / 92 |
| Intake flow rate (l/min) | 1150 / 1400 |
| Air consumption (l/min) | 545 / 780 |



| Inlet pressure (bar) | Air consumption (l/min) | Evacuation time (s/l) at different levels of vacuum (-kPa) | | | | | | | | | | | Degree of Vacuum max. (-kPa) |
|----------------------|-------------------------|--|------|-----|-----|-----|-----|-----|----|------|-----|----|------------------------------|
| | | 0 | 10 | 20 | 30 | 40 | 50 | 60 | 70 | 80 | 90 | | |
| 3.4 | 545 | 1150 | 760 | 530 | 350 | 180 | 148 | 115 | 78 | 34.5 | 3.5 | 92 | |
| 6 | 780 | 1400 | 1120 | 560 | 490 | 355 | 260 | 150 | 50 | 25 | / | 89 | |

| Inlet pressure (bar) | Air consumption (l/min) | Evacuation time (s/l) at different levels of vacuum (-kPa) | | | | | | | | | | Degree of Vacuum max. (-kPa) |
|----------------------|-------------------------|--|-------|-------|-------|-------|-------|-------|-------|----|----|------------------------------|
| | | 10 | 20 | 30 | 40 | 50 | 60 | 70 | 80 | 90 | | |
| 3.4 | 545 | 0.006 | 0.015 | 0.029 | 0.052 | 0.085 | 0.145 | 0.202 | 0.330 | 1 | 92 | |
| 6 | 780 | 0.005 | 0.013 | 0.026 | 0.045 | 0.062 | 0.115 | 0.194 | 0.56 | / | 89 | |

Technical characteristics

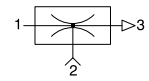
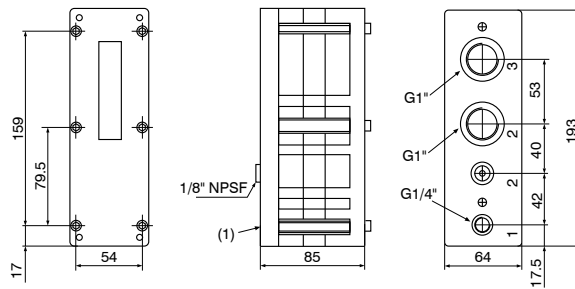
| | |
|---------------------------|---------------------------|
| Fluid | Unlubricated filtered air |
| Max. inlet pressure (bar) | 3,4 ... 6 |
| Noise (dBA) | 92 |
| Temperature (°C) | -20 ... +80 |
| Material | PPS, SS, PA, NBR |
| Weight (g) | 1075 |

| Accessories | |
|-------------|-----------------------|
| 19S10.R | Reduced silencer G 1" |

VACUUM GENERATORS

Multistage high flow vacuum generator G1"

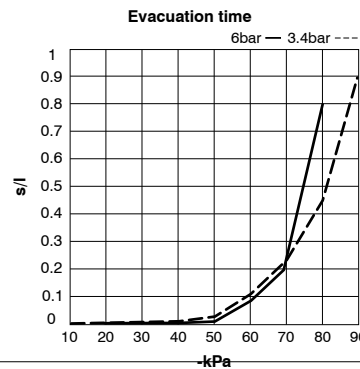
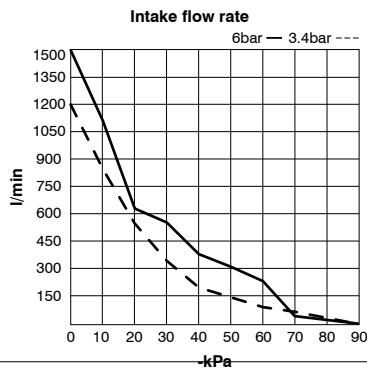
Ordering code
19TG1.M.61.HF.PP



Operational characteristics

| | |
|------------------------------|-------------|
| Optimum inlet pressure (bar) | 3.4 |
| Inlet pressure (bar) | 3.4 / 6 |
| Degree of Vacuum (-kPa) | 89 / 92 |
| Intake flow rate (l/min) | 1200 / 1500 |
| Air consumption (l/min) | 655 / 810 |

Performance Charts



VACUUM GENERATORS

| Inlet pressure (bar) | Air consumption (l/min) | Evacuation time (s/l) at different levels of vacuum (-kPa) | | | | | | | | | | Degree of Vacuum max. (-kPa) |
|----------------------|-------------------------|--|------|-----|-----|-----|-----|-----|----|----|----|------------------------------|
| | | 0 | 10 | 20 | 30 | 40 | 50 | 60 | 70 | 80 | 90 | |
| 3.4 | 655 | 1200 | 830 | 550 | 360 | 215 | 170 | 130 | 90 | 36 | 5 | 92 |
| 6 | 810 | 1500 | 1110 | 630 | 560 | 385 | 315 | 210 | 65 | 26 | / | 89 |

| Inlet pressure (bar) | Air consumption (l/min) | Evacuation time (s/l) at different levels of vacuum (-kPa) | | | | | | | | | | Degree of Vacuum max. (-kPa) |
|----------------------|-------------------------|--|-------|-------|-------|-------|-------|------|------|-----|----|------------------------------|
| | | 10 | 20 | 30 | 40 | 50 | 60 | 70 | 80 | 90 | | |
| 3.4 | 655 | 0.005 | 0.013 | 0.027 | 0.045 | 0.070 | 0.105 | 0.23 | 0.46 | 0.9 | 92 | |
| 6 | 810 | 0.003 | 0.009 | 0.014 | 0.030 | 0.060 | 0.095 | 0.20 | 0.8 | / | 89 | |

Technical characteristics

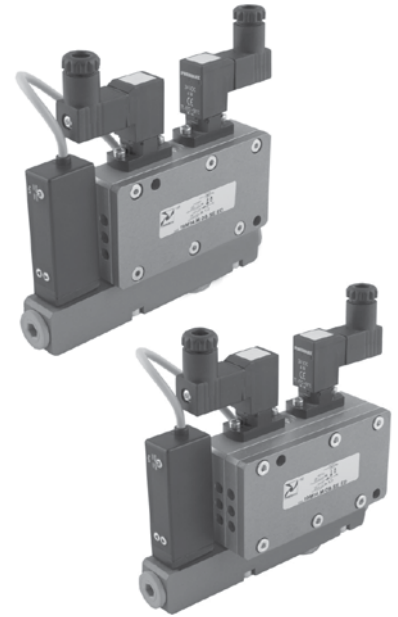
| | |
|---------------------------|---------------------------|
| Fluid | Unlubricated filtered air |
| Max. inlet pressure (bar) | 3,4 ... 6 |
| Noise (dBA) | 88 |
| Temperature (°C) | -20 ... +80 |
| Material | PPS, SS, PA, NBR |
| Weight (g) | 1075 |

Accessories

| | |
|---------|-----------------------|
| 19S10.R | Reduced silencer G 1" |
|---------|-----------------------|

Multifunction vacuum generators

Vacuum units that can control a complete vacuum gripping system.



The range of multifunction vacuum generators are available in two versions, the "SE" & "ME". The 'SE' can be installed as "stand alone" whilst the 'ME' version can be assembled with intermediate modules creating a multi position manifold which uses a single compressed air supply. The modular design allows the number of autonomous vacuum units to be increased as a function of requirements. They are constructed from a piece of anodised aluminium, and inside of this, the multiple ejectors are mounted and the vacuum chambers are fashioned, as well as threaded connections for supply.

The outside components are:

- A solenoid pilot valve for controlling the compressed air being supplied
- A solenoid pilot valve for controlling the compressed air from the bellows
- A vacuum switch with display for controlling and monitoring the system
- A flow regulator with setting screw for regulating the air of the bellows
- An intake manifold made of aluminium for the vacuum connections with the intake filter and check valve integrated inside it, serving to keep vacuum to be used should the electrical power or compressed air stop being supplied.

By activating the supply solenoid pilot valve, the generator creates vacuum that can be used, and when the maximum preset value is reached, the vacuum switch kicks in and, through the control solenoid pilot valve, cuts off the air supply and restores it when the vacuum value drops below the minimum set value.

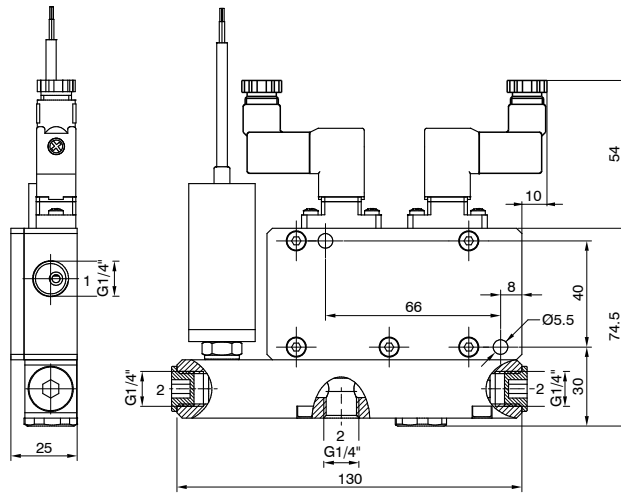
This modulation allows considerable savings of compressed air in addition to keeping the degree of vacuum within safety range.

A second vacuum switch signal, which is separate from the first one and is adjustable, can be used to start up the cycle when the degree of vacuum reached is that needed for the application.

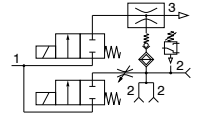
Once the cycle has completed, the supply solenoid pilot valve for air supply to the generator powers down and at the same time the release solenoid pilot valve powers up to quickly restore atmospheric pressure within the circuit. This series of vacuum generators is suitable for controlling suction cup gripping systems for moving glass panes, marble slabs, ceramic slabs, plastic panels, cardboard boxes, wood panels, etc., and, given their particular shape, they lend themselves to applications in the industrial robotics sector where there is increasing demand for high-performance equipment and autonomous vacuum systems for controlling a greater number of gripping elements while keeping weight low and dimensions compact.

Series 1900

Multifunction vacuum generator

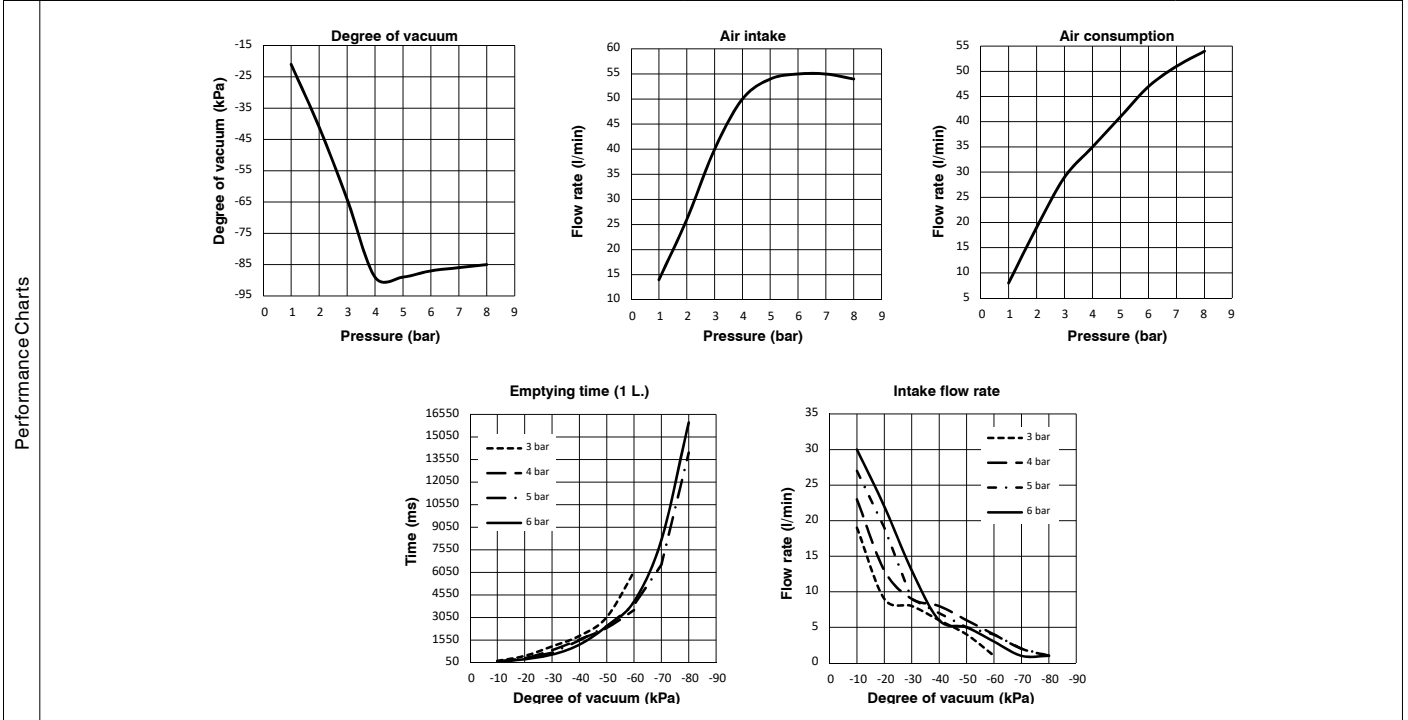


| Ordering code | |
|------------------------|--|
| 19M14.M.09.SE.⊙ | |
| OPTIONS | |
| ED | Solenoid valves + vacuum switch cable 2 Mt. |
| EF | Solenoid valves + vacuum switch cable 30 cm and connector M8 |
| 01 | Solenoid valve without vacuum switch |
| 02 | Vacuum switch without back pressure valve |
| 04 | Without vacuum switch and back pressure valve |
| 05 | Vacuum switch cable 30 cm and connector M8 without back pressure valve |



Operational characteristics

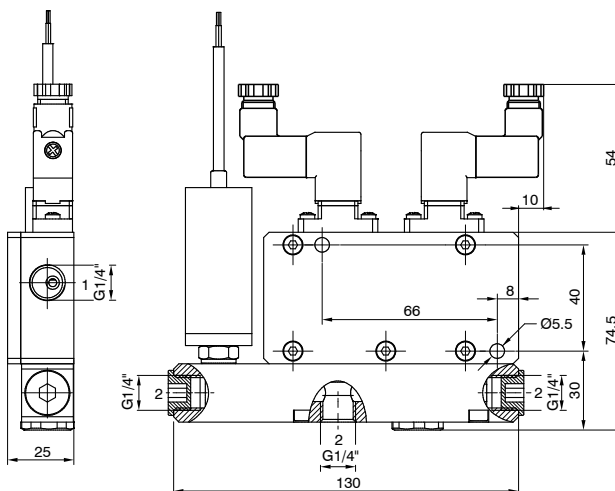
| | | | |
|--------------------------|----|----|----|
| Inlet pressure (bar) | 2 | 4 | 6 |
| Degree of Vacuum (-kPa) | 41 | 89 | 87 |
| Intake flow rate (l/min) | 26 | 50 | 55 |
| Air consumption (l/min) | 19 | 35 | 47 |



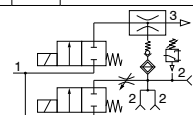
Technical characteristics

| | |
|---|---------------------------|
| Fluid | Unlubricated filtered air |
| Pressure (bar) | 0 ... 6 |
| Inlet and release solenoid valve function | N.C. |
| Power consumption | 4 Watt |
| Supply voltage | 24 VDC |
| Solenoid valve - IP Rating | IP65 |
| Vacuum switch output | 2 PNP |
| Vacuum switch - IP Rating | IP40 |
| Temperature (°C) | -10 ... +60 |
| Weight (g) | 538 |

Multifunction vacuum generator



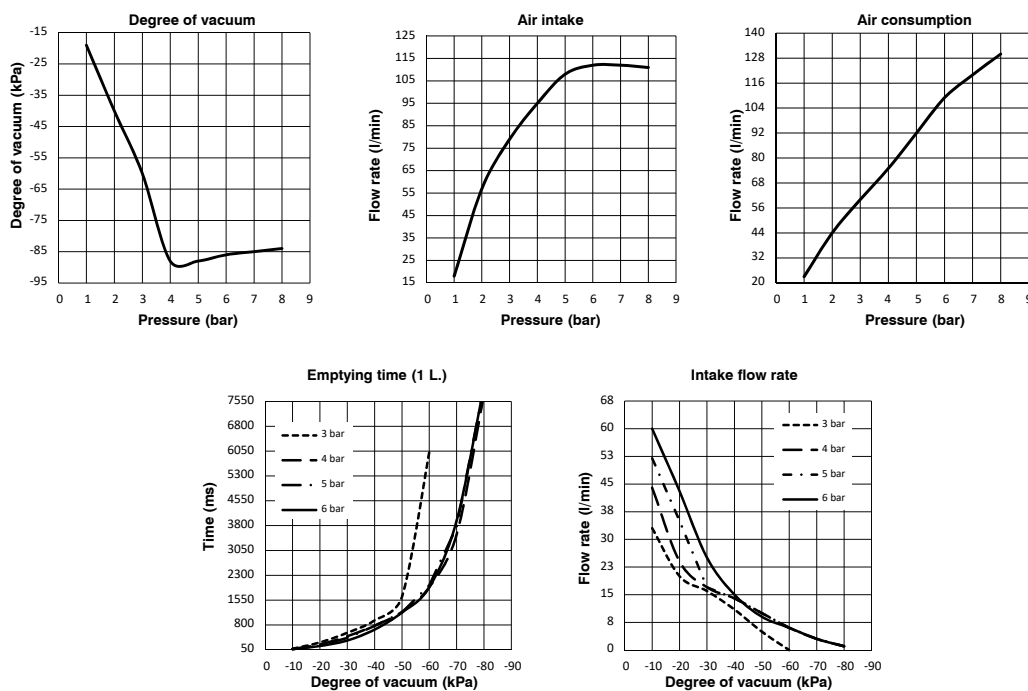
| | |
|------------------------|--|
| Ordering code | |
| 19M14.M.12.SE.⊙ | |
| OPTIONS | |
| ED | Solenoid valves + vacuum switch cable 2 Mt. |
| EF | Solenoid valves + vacuum switch cable 30 cm and connector M8 |
| 01 | Solenoid valve without vacuum switch |
| ⊙ | 02 Vacuum switch without back pressure valve |
| 04 | Without vacuum switch and back pressure valve |
| 05 | Vacuum switch cable 30 cm and connector M8 without back pressure valve |



Operational characteristics

| | | | |
|--------------------------|----|----|-----|
| Inlet pressure (bar) | 2 | 4 | 6 |
| Degree of Vacuum (-kPa) | 40 | 88 | 86 |
| Intake flow rate (l/min) | 57 | 95 | 112 |
| Air consumption (l/min) | 44 | 75 | 109 |

Performance Charts

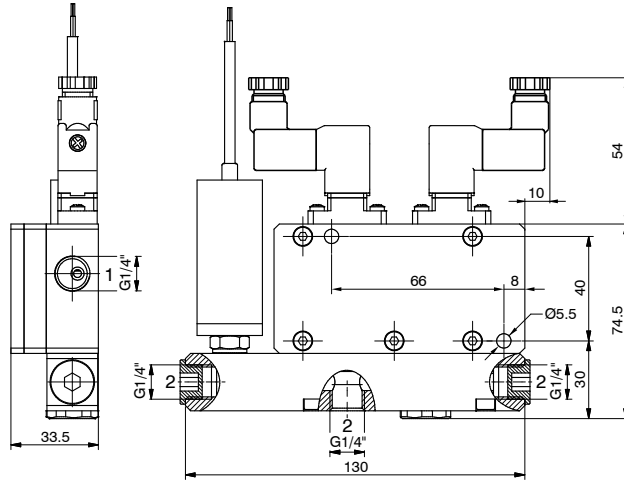


Technical characteristics

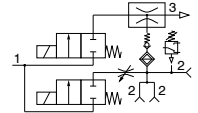
| | |
|---|---------------------------|
| Fluid | Unlubricated filtered air |
| Pressure (bar) | 0 ... 6 |
| Inlet and release solenoid valve function | N.C. |
| Power consumption | 4 Watt |
| Supply voltage | 24 VDC |
| Solenoid valve - IP Rating | IP65 |
| Vacuum switch output | 2 PNP |
| Vacuum switch - IP Rating | IP40 |
| Temperature (°C) | -10 ... +60 |
| Weight (g) | 538 |

VACUUM GENERATORS

Multifunction vacuum generator



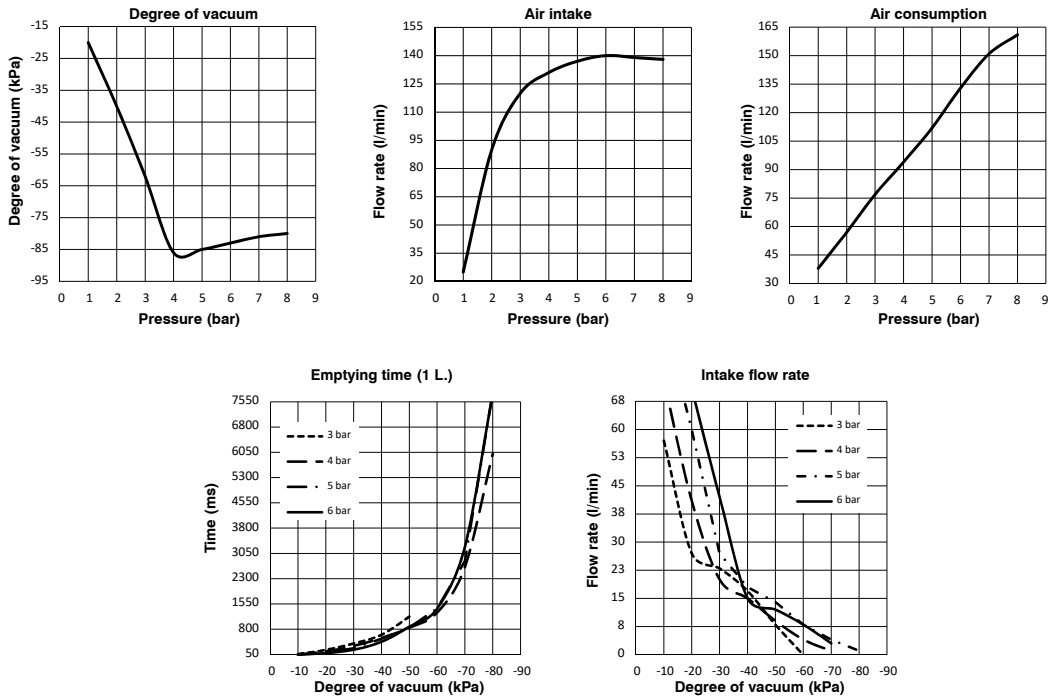
| Ordering code | |
|------------------------|--|
| 19M14.M.15.SE.⊙ | |
| OPTIONS | |
| ED | Solenoid valves + vacuum switch cable 2 Mt. |
| EF | Solenoid valves + vacuum switch cable 30 cm and connector M8 |
| 01 | Solenoid valve without vacuum switch |
| 02 | Vacuum switch without back pressure valve |
| 04 | Without vacuum switch and back pressure valve |
| 05 | Vacuum switch cable 30 cm and connector M8 without back pressure valve |



Operational characteristics

| | | | |
|--------------------------|----|-----|-----|
| Inlet pressure (bar) | 2 | 4 | 6 |
| Degree of Vacuum (-kPa) | 40 | 86 | 83 |
| Intake flow rate (l/min) | 90 | 131 | 140 |
| Air consumption (l/min) | 57 | 94 | 133 |

Performance Charts



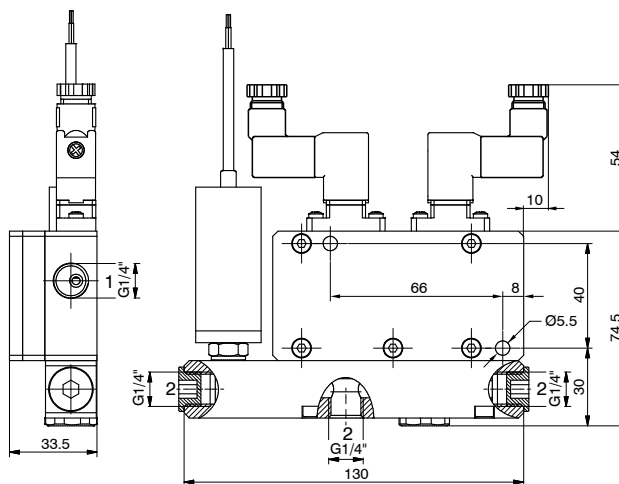
Technical characteristics

| | |
|---|---------------------------|
| Fluid | Unlubricated filtered air |
| Pressure (bar) | 0 ... 6 |
| Inlet and release solenoid valve function | N.C. |
| Power consumption | 4 Watt |
| Supply voltage | 24 VDC |
| Solenoid valve - IP Rating | IP65 |
| Vacuum switch output | 2 PNP |
| Vacuum switch - IP Rating | IP40 |
| Temperature (°C) | -10 ... +60 |
| Weight (g) | 661 |

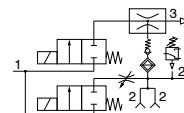
VACUUM GENERATORS



Multifunction vacuum generator



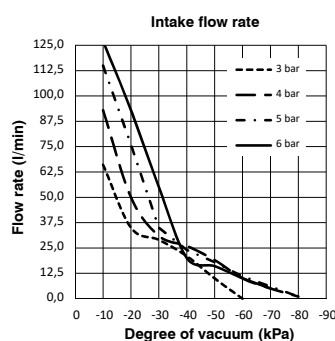
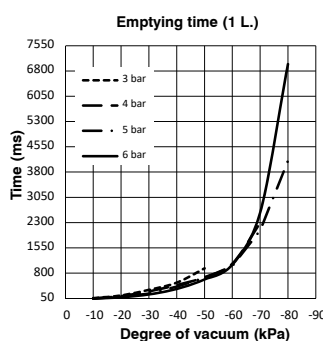
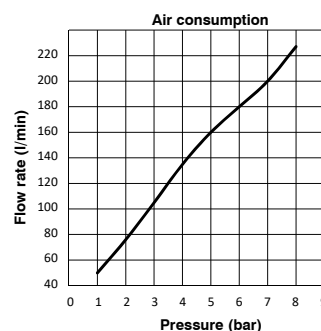
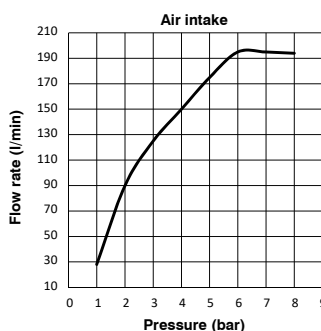
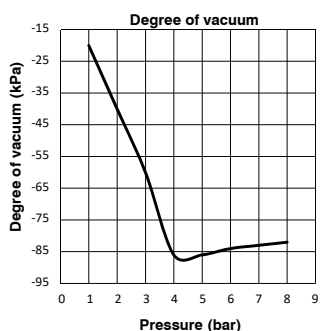
| | |
|------------------------|--|
| Ordering code | |
| 19M14.M.18.SE.⊙ | |
| OPTIONS | |
| ED | Solenoid valves + vacuum switch cable 2 Mt. |
| EF | Solenoid valves + vacuum switch cable 30 cm and connector M8 |
| 01 | Solenoid valve without vacuum switch |
| ⊙ | 02 Vacuum switch without back pressure valve |
| 04 | Without vacuum switch and back pressure valve |
| 05 | Vacuum switch cable 30 cm and connector M8 without back pressure valve |



Operational characteristics

| | | | |
|--------------------------|----|-----|-----|
| Inlet pressure (bar) | 2 | 4 | 6 |
| Degree of Vacuum (-kPa) | 40 | 86 | 84 |
| Intake flow rate (l/min) | 90 | 150 | 195 |
| Air consumption (l/min) | 76 | 135 | 180 |

Performance Charts



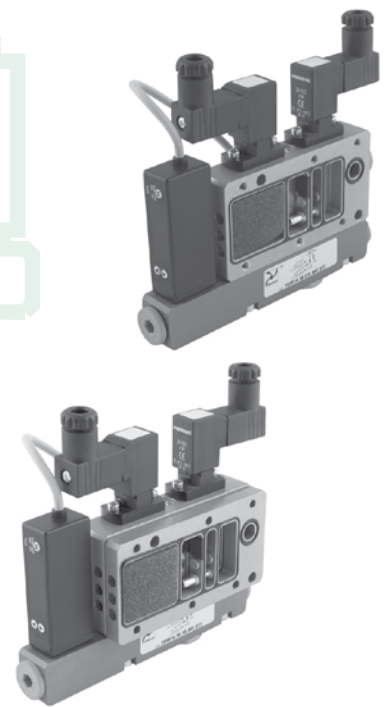
Technical characteristics

| | |
|---|---------------------------|
| Fluid | Unlubricated filtered air |
| Pressure (bar) | 0 ... 6 |
| Inlet and release solenoid valve function | N.C. |
| Power consumption | 4 Watt |
| Supply voltage | 24 VDC |
| Solenoid valve - IP Rating | IP65 |
| Vacuum switch output | 2 PNP |
| Vacuum switch - IP Rating | IP40 |
| Temperature (°C) | -10 ... +60 |
| Weight (g) | 661 |

VACUUM GENERATORS

Modular multifunction vacuum generators

The intermediate “ME” multistage and multifunction vacuum generators are not autonomous and must be hooked up to the “SE” units to operate.



They have been designed to be enclosed between the cap and the base of the “SE” vacuum generator and attached to the latter via M4 screws; with the distribution manifold inside the generator, the compressed air is distributed without having to use external manifolds.

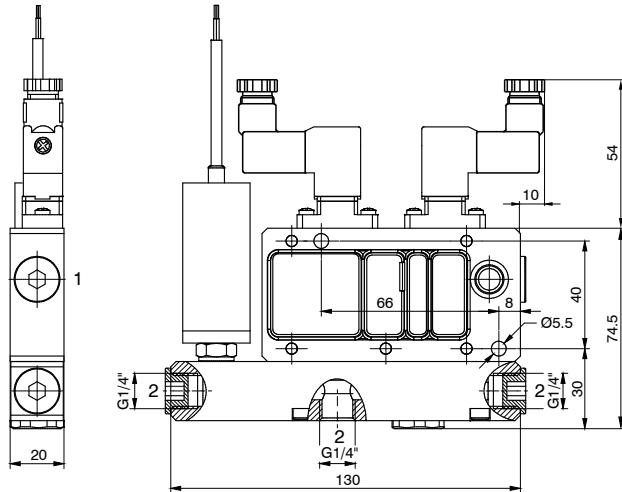
These can be ordered as individual components in the desired number and capacity, although to mount them onto the “SE” generator, a kit with a number of screws corresponding to the number of modules to be attached is necessary.

The “ME” vacuum generators comprise the same components as the “SE” generators do, except for the sealing cap; their operation and use are the same as the “SE” vacuum generator on which they are mounted.

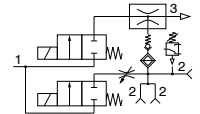


Series 1900

Modular multifunction vacuum generator

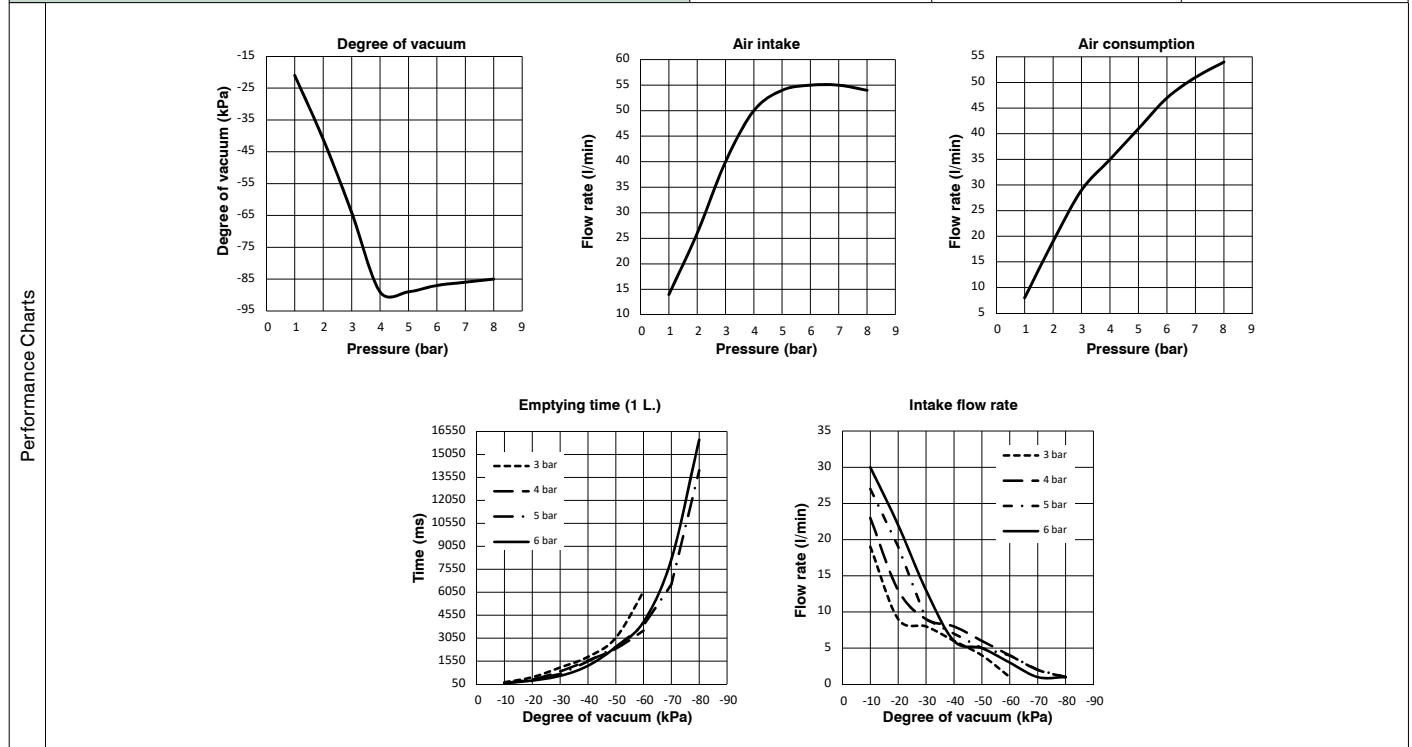


| Ordering code | |
|------------------------|--|
| 19M14.M.09.ME.⊙ | |
| OPTIONS | |
| ED | Solenoid valves + vacuum switch cable 2 Mt. |
| EF | Solenoid valves + vacuum switch cable 30 cm and connector M8 |
| 01 | Solenoid valve without vacuum switch |
| ⊙ | 02 Vacuum switch without back pressure valve |
| 04 | Without vacuum switch and back pressure valve |
| 05 | Vacuum switch cable 30 cm and connector M8 without back pressure valve |



Operational characteristics

| | | | |
|--------------------------|----|----|----|
| Inlet pressure (bar) | 2 | 4 | 6 |
| Degree of Vacuum (-kPa) | 41 | 89 | 87 |
| Intake flow rate (l/min) | 26 | 50 | 55 |
| Air consumption (l/min) | 19 | 35 | 47 |

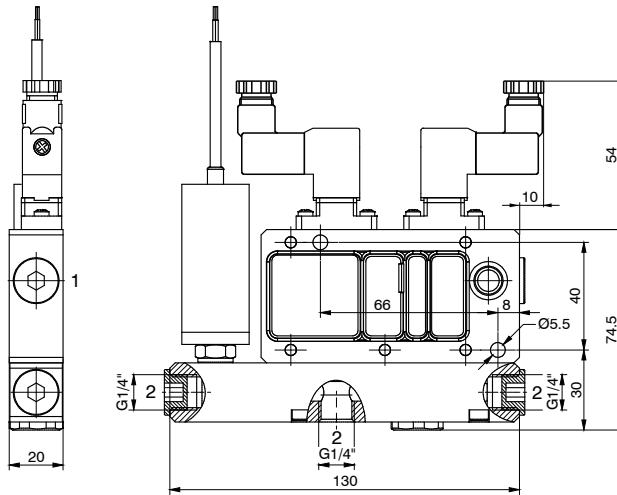


Technical characteristics

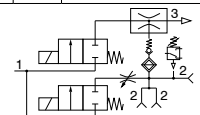
| | |
|---|---------------------------|
| Fluid | Unlubricated filtered air |
| Pressure (bar) | 0 ... 6 |
| Inlet and release solenoid valve function | N.C. |
| Power consumption | 4 Watt |
| Supply voltage | 24 VDC |
| Solenoid valve - IP Rating | IP65 |
| Vacuum switch output | 2 PNP |
| Vacuum switch - IP Rating | IP40 |
| Temperature (°C) | -10 ... +60 |
| Weight (g) | 474 |

VACUUM GENERATORS

► **Modular multifunction vacuum generator**



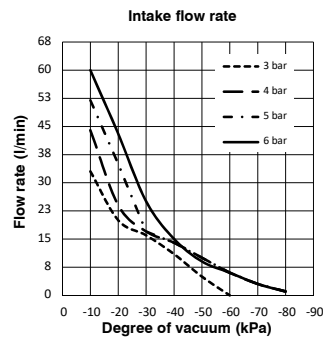
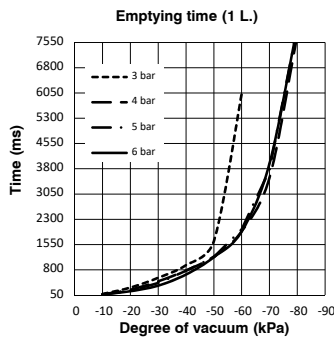
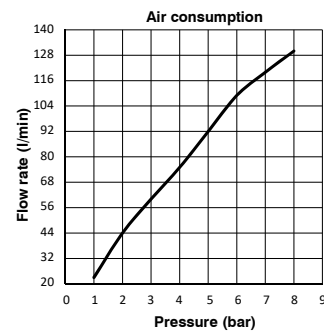
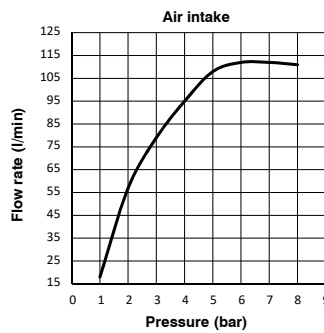
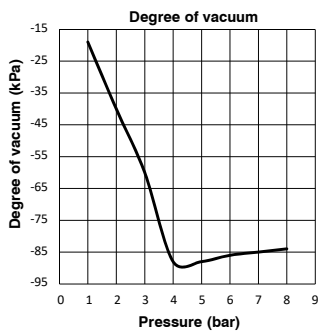
| Ordering code | |
|------------------------|--|
| 19M14.M.12.ME.0 | |
| OPTIONS | |
| ED | Solenoid valves + vacuum switch cable 2 Mt. |
| EF | Solenoid valves + vacuum switch cable 30 cm and connector M8 |
| 01 | Solenoid valve without vacuum switch |
| 02 | Vacuum switch without back pressure valve |
| 04 | Without vacuum switch and back pressure valve |
| 05 | Vacuum switch cable 30 cm and connector M8 without back pressure valve |



Operational characteristics

| | | | |
|--------------------------|----|----|-----|
| Inlet pressure (bar) | 2 | 4 | 6 |
| Degree of Vacuum (-kPa) | 40 | 88 | 86 |
| Intake flow rate (l/min) | 57 | 95 | 112 |
| Air consumption (l/min) | 44 | 75 | 109 |

Performance Charts

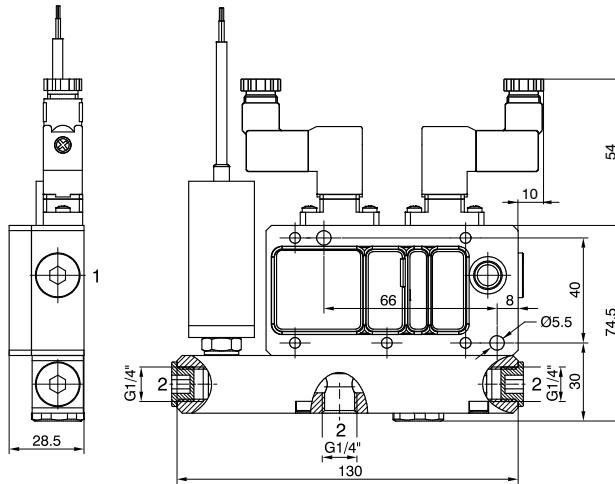


Technical characteristics

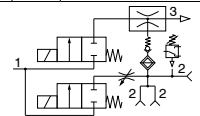
| | |
|---|---------------------------|
| Fluid | Unlubricated filtered air |
| Pressure (bar) | 0 ... 6 |
| Inlet and release solenoid valve function | N.C. |
| Power consumption | 4 Watt |
| Supply voltage | 24 VDC |
| Solenoid valve - IP Rating | IP65 |
| Vacuum switch output | 2 PNP |
| Vacuum switch - IP Rating | IP40 |
| Temperature (°C) | -10 ... +60 |
| Weight (g) | 474 |



Modular multifunction vacuum generator



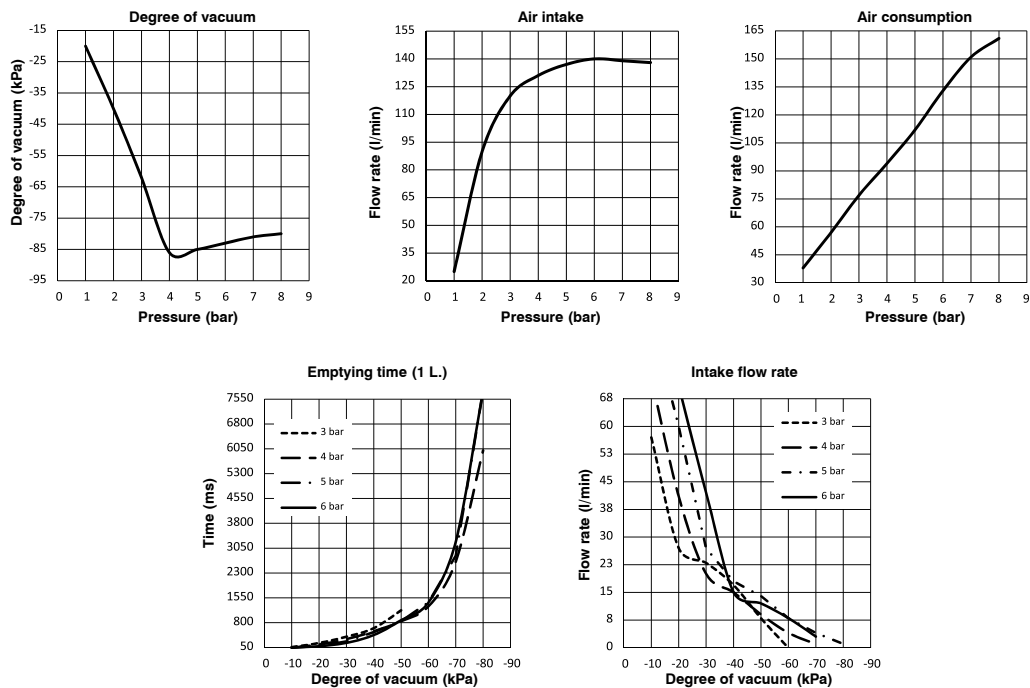
| | |
|------------------------|--|
| Ordering code | |
| 19M14.M.15.ME.⊙ | |
| OPTIONS | |
| ED | Solenoid valves + vacuum switch cable 2 Mt. |
| EF | Solenoid valves + vacuum switch cable 30 cm and connector M8 |
| 01 | Solenoid valve without vacuum switch |
| ⊙ | 02 Vacuum switch without back pressure valve |
| 04 | Without vacuum switch and back pressure valve |
| 05 | Vacuum switch cable 30 cm and connector M8 without back pressure valve |



Operational characteristics

| | | | |
|--------------------------|----|-----|-----|
| Inlet pressure (bar) | 2 | 4 | 6 |
| Degree of Vacuum (-kPa) | 40 | 86 | 83 |
| Intake flow rate (l/min) | 90 | 131 | 140 |
| Air consumption (l/min) | 57 | 94 | 133 |

Performance Charts

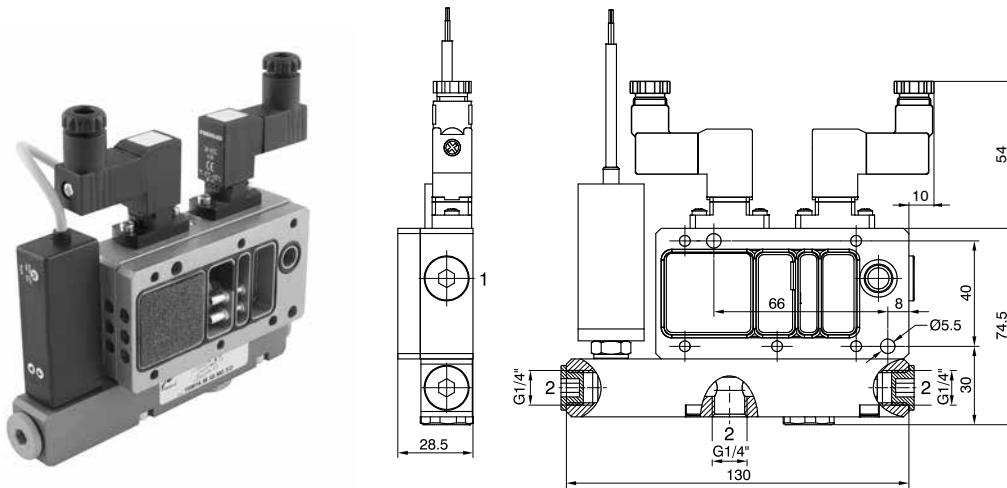


Technical characteristics

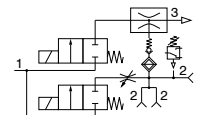
| | |
|---|---------------------------|
| Fluid | Unlubricated filtered air |
| Pressure (bar) | 0 ... 6 |
| Inlet and release solenoid valve function | N.C. |
| Power consumption | 4 Watt |
| Supply voltage | 24 VDC |
| Solenoid valve - IP Rating | IP65 |
| Vacuum switch output | 2 PNP |
| Vacuum switch - IP Rating | IP40 |
| Temperature (°C) | -10 ... +60 |
| Weight (g) | 537 |

VACUUM GENERATORS

► **Modular multifunction vacuum generator**

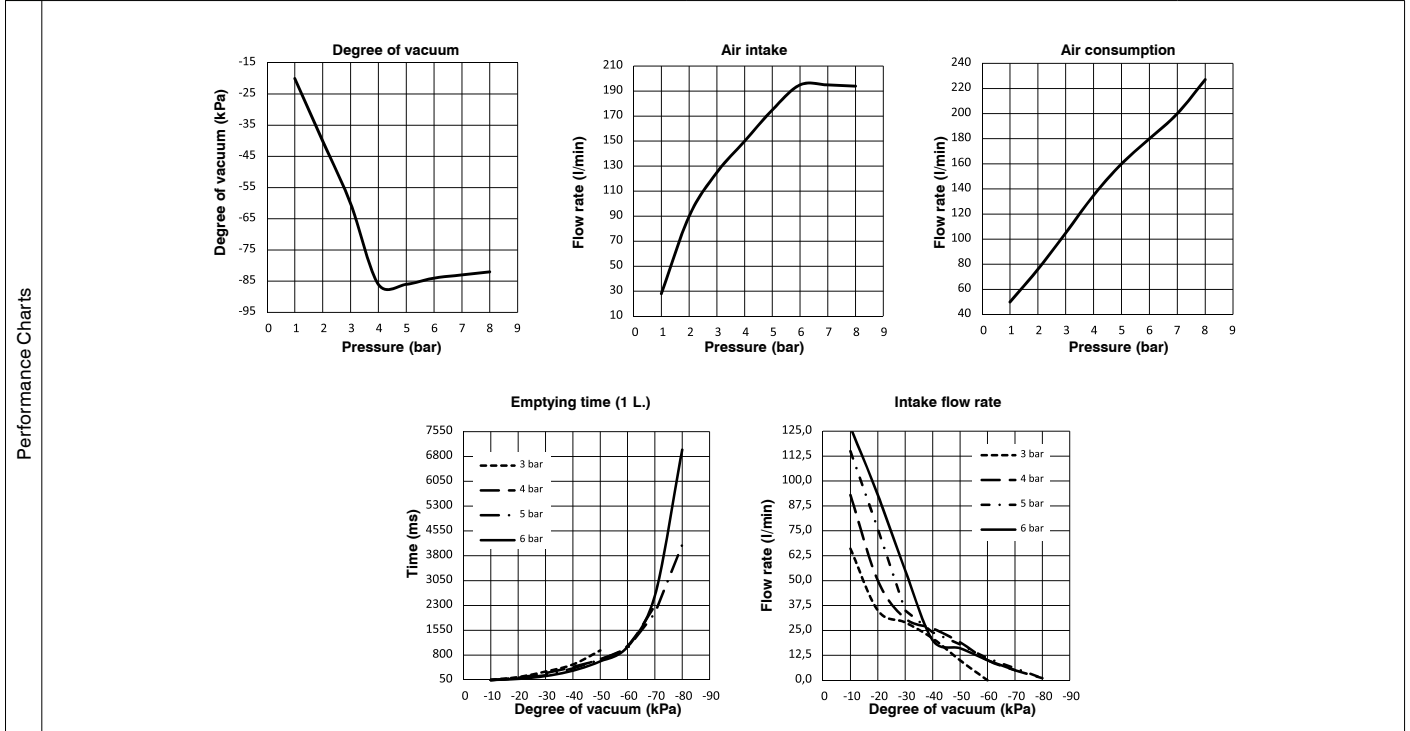


| Ordering code | |
|-------------------------|--|
| 19M14.M.18.ME.00 | |
| OPTIONS | |
| ED | Solenoid valves + vacuum switch cable 2 Mt. |
| EF | Solenoid valves + vacuum switch cable 30 cm and connector M8 |
| 01 | Solenoid valve without vacuum switch |
| 02 | Vacuum switch without back pressure valve |
| 04 | Without vacuum switch and back pressure valve |
| 05 | Vacuum switch cable 30 cm and connector M8 without back pressure valve |



Operational characteristics

| | | | |
|--------------------------|----|-----|-----|
| Inlet pressure (bar) | 2 | 4 | 6 |
| Degree of Vacuum (-kPa) | 40 | 86 | 84 |
| Intake flow rate (l/min) | 90 | 150 | 195 |
| Air consumption (l/min) | 76 | 135 | 180 |



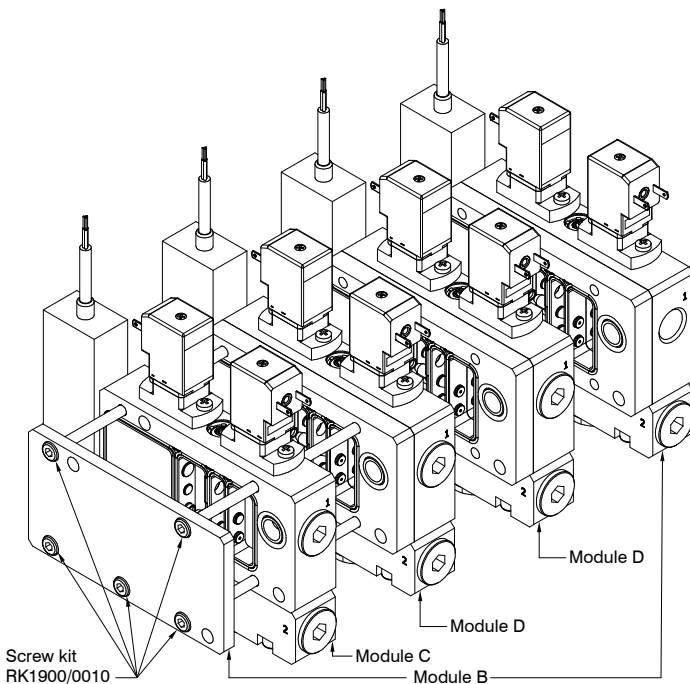
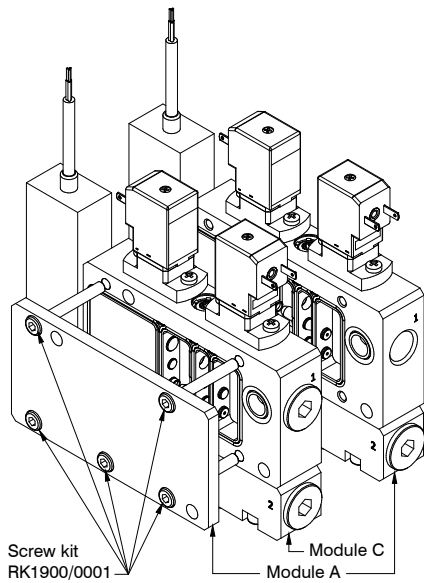
Technical characteristics

| | |
|---|---------------------------|
| Fluid | Unlubricated filtered air |
| Pressure (bar) | 0 ... 6 |
| Inlet and release solenoid valve function | N.C. |
| Power consumption | 4 Watt |
| Supply voltage | 24 VDC |
| Solenoid valve - IP Rating | IP65 |
| Vacuum switch output | 2 PNP |
| Vacuum switch - IP Rating | IP40 |
| Temperature (°C) | -10 ... +60 |
| Weight (g) | 537 |



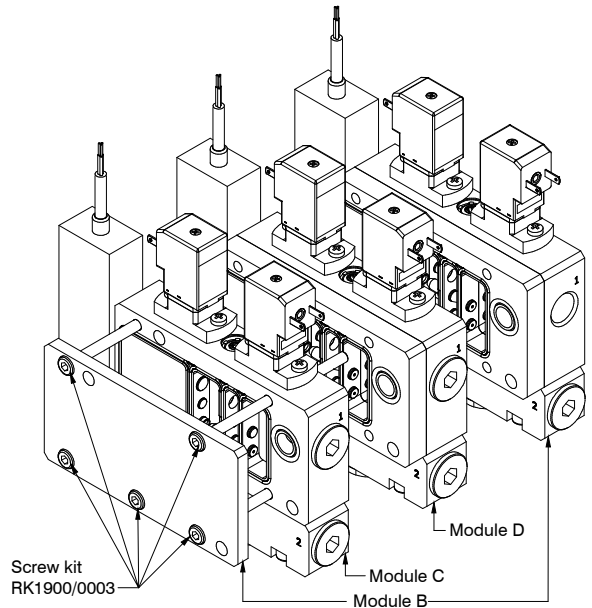
Modular vacuum systems

“SE” multifunction vacuum generators can be assembled with one or more “ME” intermediate modules, thus forming a modular vacuum system characterised by a compact shape and reduced size and weight. With standard screw kits up to 4 vacuum units A+1C+1D can be assembled together independently but, with use of threaded bars, the manifold can be expanded to many more positions. Below are a number of examples showing ways the manifold can be put together.



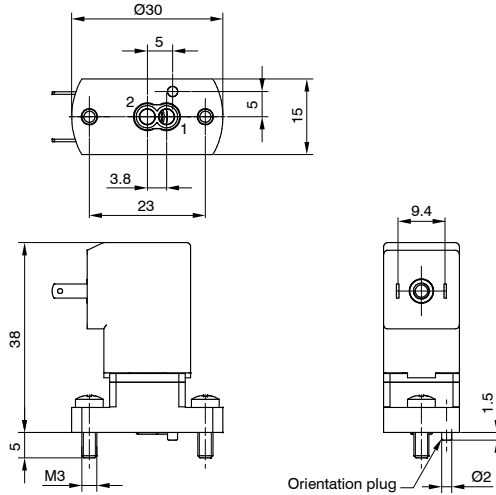
| | Screws kit codes | Screw dimension | |
|----------------------------------|------------------|-----------------|--------|
| Combinations of standard modules | A+1C | RK1900/0001 | M4X30 |
| | A+2C | RK1900/0002 | M4X50 |
| | A+3C | RK1900/0003 | M4X70 |
| | A+1C+1D | RK1900/0004 | M4X60 |
| | A+1C+2D | RK1900/0005 | M4X90 |
| | A+2C+1D | RK1900/0006 | M4X80 |
| | A+3D | RK1900/0007 | M4X100 |
| | A+2D | RK1900/0003 | M4X70 |
| | A+1D | RK1900/0008 | M4X40 |
| | B+1C | RK1900/0008 | M4X40 |
| | B+2C | RK1900/0004 | M4X60 |
| | B+3C | RK1900/0006 | M4X80 |
| | B+1C+1D | RK1900/0003 | M4X70 |
| | B+1C+2D | RK1900/0007 | M4X100 |
| B+2C+1D | RK1900/0005 | M4X90 | |
| B+2D | RK1900/0006 | M4X80 | |
| B+1D | RK1900/0002 | M4X50 | |

| The letters of the modules correspond to purchase codes | |
|---|------------------|
| A | 19M14.M.09.SE.ED |
| | 19M14.M.12.SE.ED |
| B | 19M14.M.15.SE.ED |
| | 19M14.M.18.SE.ED |
| C | 19M14.M.09.ME.ED |
| | 19M14.M.12.ME.ED |
| D | 19M14.M.15.ME.ED |
| | 19M14.M.18.ME.ED |

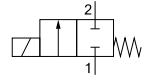


VACUUM GENERATORS

► **Mini solenoid valve 15 mm**



| |
|----------------|
| Ordering code |
| N221.0F |

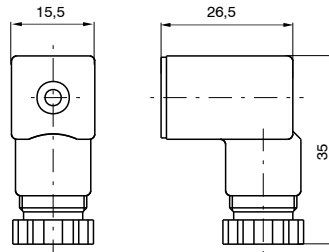


Technical characteristics

| | |
|---------------------|--|
| Fluid | Unlubricated filtered air |
| Pressure (bar) | 0 ... 6 |
| Function | N.C. |
| Flow rate (NI/m) | 185 |
| Operating voltage | 24 VDC |
| Power | 4 Watt |
| Class of insulation | F (155 °C) |
| IP Rating | IP65 (with connector) - IP00 (with Faston) |
| Temperature (°C) | -5 ... +50 |
| Weight (g) | 35.5 |

VACUUM GENERATORS

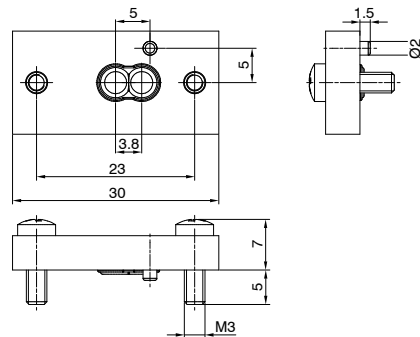
► **Connector**



| |
|------------------|
| Ordering code |
| 315.11.00 |

Weight 13 g

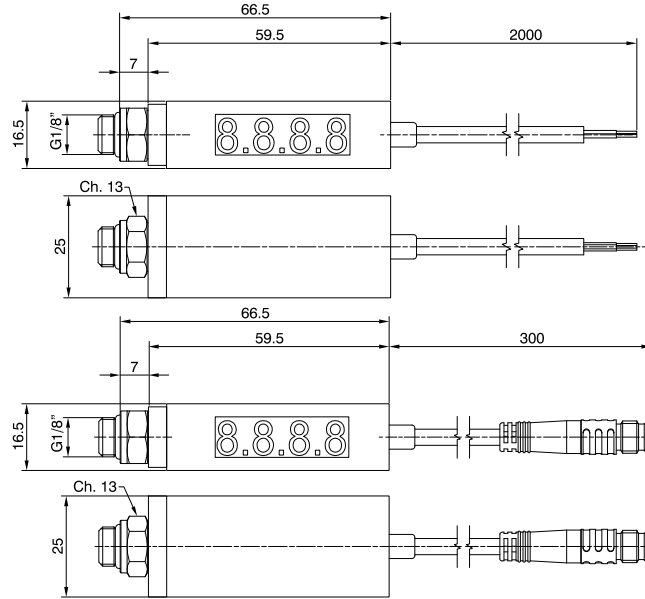
► **Closing plate**



| |
|----------------|
| Ordering code |
| N221.00 |

Weight 7.5 g

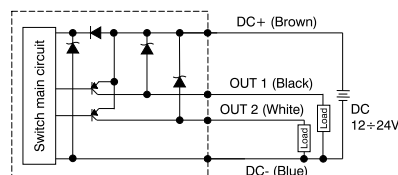
Digital vacuum switch



| | |
|-------------------------|---------------------------------|
| Ordering code | |
| DS.30.C.C.F8.0.0 | |
| CABLE LENGTH | |
| ① | B=300 mm * |
| | D=2000 mm ** |
| OPTIONS | |
| ② | 0= Without connector |
| | 2= With M8 4 Pin male connector |

| Technical features | | |
|---|--|---|
| Working pressure range | -100.0 ... 100.0 kPa | |
| Regulation pressure range | -100.0 ... 100.0 kPa | |
| Maximum supported pressure | 300 kPa | |
| Allowed fluids | Air, non-corrosive gases, non-combustible gases | |
| Pressure calibration sensitivity | kPa | 0.1 |
| | 2 kgf/cm ² | 0.001 |
| | bar | 0.001 |
| | psi | 0.01 |
| | InHg | 0.1 |
| | mmHg | 1 |
| mmH ₂ O | 0.1 | |
| Supply voltage | From 12 to 24 VDC ± 10% | |
| Current consumption | ≤ 60 mA | |
| Digital output | PNP N.O. 2 outputs Maximum load current: 80 mA Maximum supply voltage: 30 VDC Voltage drop: ≤ 1 V | |
| Repeatability (Digital output) | ± 0.2% Full Scale ± 1 digit | |
| Digital output | Type of hysteresis | Fixed |
| | Hysteresis | 0.003 bar |
| Response time | ≤ 2,5 ms (anti-interference function: 24 ms, 192 ms and 768 ms selectable) | |
| Protection from short circuit at output | Present | |
| Display | Display with 3 1/2 digits (sampling 5 times per sec.) | |
| Indicator precision | ± 2% F. S. ± 1 digit (at ambient temperature of 25°C ± 3°C) | |
| Indicator | LED green (output1) LED red (output2) | |
| Ingress protection rating | IP Rating | IP40 |
| | Ambient temperature | Operational: 0°C ... 50°C, Storage: -20°C ... 60°C (without ice or condensation) |
| | Ambient humidity | Operational/Storage: 35 ... 85% (without condensation) |
| | Supported voltage | 1000 VAC in 1-min. (between body and cable) |
| | Insulation resistance | 50MΩ min. (at 500 VDC, between body and cable) |
| | Vibration | Total amplitude 1.5 mm. or 10 G, 10 Hz - 55 Hz - 10 Hz scanning for 1 minute, 2 hours in each direction of X, Y and Z |
| Impacts/shocks | 980m/s ² (100G), 3 times in each direction of X, Y and Z | |
| Temperature characteristics | ± 2% Full Scale in a range between 0 ... 50°C | |
| Type of connection | G1/8" (Swivel) | |
| Electrical cable | Oil resistant cable | |
| Weight | Approximately 67 g (with 2 metres of cable) | |

VACUUM GENERATORS



VALVES AND SOLENOID VALVES

Wide range of valves and solenoid valves with aluminium or technopolymer body, suitable for applications with high flow rates required



The experience gained over the years, resulting of collaboration with our customers and continuous research and development on materials and technologies, has allowed Pneumax to offer a wide range of valves and solenoid valves specially designed and manufactured for vacuum. Pneumax products are able to provide high performance in applications of very demanding industrial sectors, often characterized by hard environmental conditions.

The possibility of using different materials for the various components, from technopolymer to aluminum to stainless steel, allows to create a range of valves and solenoid valves ideal for applications in different operating conditions, ranging from the management of dusty fluids to applications in the food sector.

The attention to detail in the design phase with a deep focus on the correct dimensional ratio between the connections and the orifices, allowing to minimize the pressure drops and thus guaranteeing the maximum suction flow rate.

The Pneumax offer includes shut-off valves, poppet valves, solenoid valves and pad valves.





Index


Shut-off valves


| | | |
|---|--------------------|-----------|
|  | Series 1900 | 84 |
|---|--------------------|-----------|

Valves and solenoid valves poppet system


| | | |
|---|-------------------|-----------|
|  | Series 700 | 85 |
|---|-------------------|-----------|

| | | |
|---|--------------------|------------|
|  | Series T771 | 100 |
|---|--------------------|------------|

| | | |
|---|------------------------|-----------|
|  | Series T772-773 | 92 |
|---|------------------------|-----------|

| | | |
|---|--------------------|------------|
|  | Series N776 | 105 |
|---|--------------------|------------|

Solenoid coils

| | | |
|---|---|------------|
|  | for Series 771, 772, 773, 779, T772, T773, T771 and N776 | 108 |
|---|---|------------|

Pad valves

| | | |
|---|-------------------|------------|
|  | Series PVA | 110 |
|---|-------------------|------------|

| | | |
|---|-------------------|------------|
|  | Series PVV | 112 |
|---|-------------------|------------|

Shut-off valves Series 1900

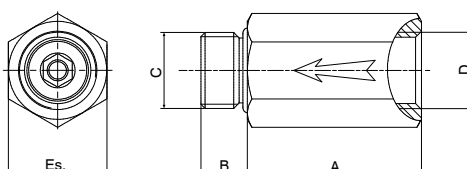


Non-return valves that can close the suction line in the event of air leakage from the suction cup that is not located on the workpiece or not fully adherent to it.

Designed to be applied to the suction cups, the shut-off valves, if there is no object to be lifted, if the suction grip is defective or in the presence of leakage, automatically closes off the suction, preventing the degree of vacuum in the still-gripping suction cups from dropping. These can shut off completely with characteristics described above or control leakage, where the principle of operation is the same as the abovementioned, differing from the sealing shutter in that, even when shut off entirely, it still allows a

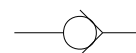
small air flow to the vacuum source. This feature allows a suction cup that has not gripped the object to be lifted to recreate the vacuum inside of it, and therefore carry out its gripping action without having to repeat the work cycle; if, on the other hand, the suction cup does not grip due to the fact that there is no object to lift, the valve will not stop the degree of vacuum from dropping on the remaining gripping suction cups, but the small percentage of loss is easily controllable and therefore recoverable.

Shut-off valves



| A | B | C | D | Es. |
|----|---|------|------|-----|
| 27 | 7 | G1/8 | G1/8 | 13 |
| 30 | 8 | G1/4 | G1/4 | 17 |
| 33 | 9 | G3/8 | G3/8 | 20 |

| Ordering code | |
|---------------------|--|
| 19E⊕.A.00.MF | |
| ⊕ THREAD | |
| 18 = G1/8" | |
| 14 = G1/4" | |
| 38 = G3/8" | |

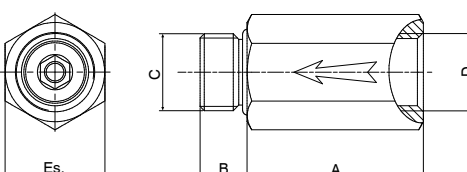


Operational characteristics

Minimum trigger flow rate (l/min)

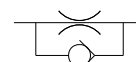
25

Shut-off valves with controlled leakage loss



| A | B | C | D | Es. |
|----|---|------|------|-----|
| 27 | 7 | G1/8 | G1/8 | 13 |
| 30 | 8 | G1/4 | G1/4 | 17 |
| 33 | 9 | G3/8 | G3/8 | 20 |

| Ordering code | |
|--------------------|--|
| 19E⊕.A.⊕.MF | |
| ⊕ THREAD | |
| 18 = G1/8" | |
| 14 = G1/4" | |
| 38 = G3/8" | |
| ⊕ NOZZLE ORIFICE | |
| 03 = orifice Ø0,3 | |
| 05 = orifice Ø0,5 | |
| 07 = orifice Ø0,7 | |
| 10 = orifice Ø1 | |



Operational characteristics

Minimum trigger flow rate (l/min)

25

Valves and solenoid valves poppet system Series 700

Valves and solenoid valves poppet system for vacuum applications with high flow rates.




These are manufactured only in 3/2 and 2/2 versions, either normally closed or normally open. Selection of the right type and connection to the pump requires some knowledge and skill.

For electrical actuation a normal M2 microsolenoid is used in the case of control via air and a special M2/V microsolenoid is used when control is via vacuum.

Construction characteristics

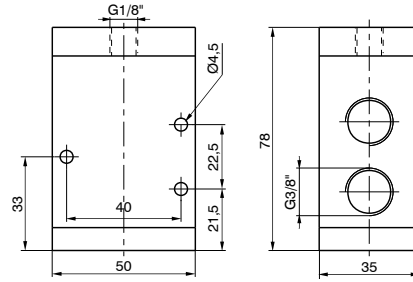
| | G3/8" | G1/2"- G3/4" | G1" | G1 1/2" |
|---------------|-----------------|--------------|-----------|-----------|
| Body | Aluminium | Zinc alloy | Aluminium | Aluminium |
| Actuators rod | Stainless steel | | | |
| Bottom plates | Aluminium | | | |
| Piston seals | NBR | | | |
| Springs | Stainless steel | | | |
| Poppets | NBR | | | |
| Pistons | Aluminium | | | |

Use and maintenance

These valves and solenoid valves have an average service life of approximately 10 - 15 million cycles under optimum conditions of usage. They do not need to be lubricated to operate well, but good filtration is recommended to prevent dirt accumulation inside. Ensure that the conditions of use are consistent with the indicated limits, pressure, temperature, etc. Take care to protect the discharge outlets of the valves in the presence of dirt and powder. When the self feeding version is used in the solenoid valves, check that the supply flow rate is greater than or equal to that of use, otherwise switch to the version with external pilot. The ordering codes refer to solenoid valves with "M2" or "M2/V" mechanicals mounted. The solenoid coils are not included and have to be ordered separately (see summary page for solenoid coils). Certified solenoid coils are also available 

Series 700

Pneumatic-Spring

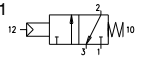


Weight 360 g

| | |
|----------------------|--------------------|
| Ordering code | |
| 779/V.32.11.F | |
| FUNCTION | |
| F | 1C=Normally Closed |
| | 1A=Normally Open |

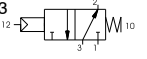
For vacuum - N.O.

Exhaust: Port 1
Outlet: Port 2
Pump: Port 3



For vacuum - N.C.

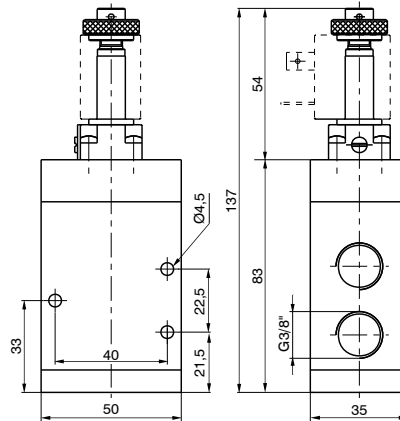
Exhaust: Port 3
Outlet: Port 2
Pump: Port 1



Operational characteristics

| | |
|--|-------------------|
| Fluid | Vacuum |
| Minimum piloting pressure (bar) | 2 |
| Temperature °C | -10 ... +70 |
| Orifice size (mm) | 10 |
| Working port size | G3/8" |
| Pilot port size | G1/8" |
| Response time according to ISO 12238 energised (ms) | 1C = 12 - 1A = 13 |
| Response time according to ISO 12238 de-energised (ms) | 1C = 46 - 1A = 48 |

Solenoid-Spring-Self feeding

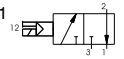


Weight 420 g

| | |
|--------------------------|---------------------|
| Ordering code | |
| 779/V.32.0.F.M2/V | |
| FUNCTION | |
| F | 1AA=Normally Open |
| | 1AC=Normally Closed |

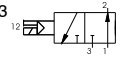
For vacuum - N.O.

Exhaust: Port 1
Outlet: Port 2
Pump: Port 3



For vacuum - N.C.

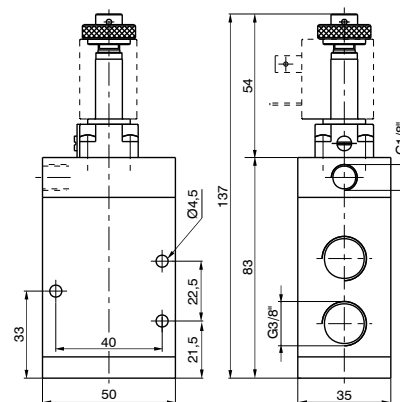
Exhaust: Port 3
Outlet: Port 2
Pump: Port 1



Operational characteristics

| | |
|--|---------------------|
| Fluid | Vacuum |
| Temperature °C | -10 ... +50 |
| Orifice size (mm) | 10 |
| Working port size | G3/8" |
| Pilot port size | G1/8" |
| Response time according to ISO 12238 energised (ms) | 1AC = 26 - 1AA = 16 |
| Response time according to ISO 12238 de-energised (ms) | 1AC = 9 - 1AA = 11 |

Solenoid-Spring-External feeding

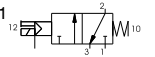


Weight 420 g

| | |
|------------------------|--------------------|
| Ordering code | |
| 779/V.32.0.F.M2 | |
| FUNCTION | |
| F | 1A=Normally Open |
| | 1C=Normally Closed |

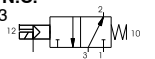
For vacuum - N.O.

Exhaust: Port 1
Outlet: Port 2
Pump: Port 3



For vacuum - N.C.

Exhaust: Port 3
Outlet: Port 2
Pump: Port 1



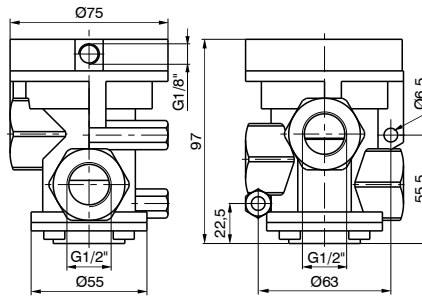
Operational characteristics

| | |
|--|-------------------|
| Fluid | Vacuum |
| Minimum piloting pressure (bar) | 2 |
| Temperature °C | -10 ... +50 |
| Orifice size (mm) | 10 |
| Working port size | G3/8" |
| Pilot port size | G1/8" |
| Response time according to ISO 12238 energised (ms) | 1C = 10 - 1A = 11 |
| Response time according to ISO 12238 de-energised (ms) | 1C = 35 - 1A = 36 |

Pneumatic-Spring



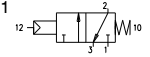
Weight 1100 g



| | |
|----------------------|--|
| Ordering code | |
| 772/V.32.11.F | |
| FUNCTION | |
| F | 1C=Normally Closed 1A=Normally Open |

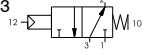
For vacuum - N.O.

Exhaust: Port 1
Outlet: Port 2
Pump: Port 3



For vacuum - N.C.

Exhaust: Port 3
Outlet: Port 2
Pump: Port 1

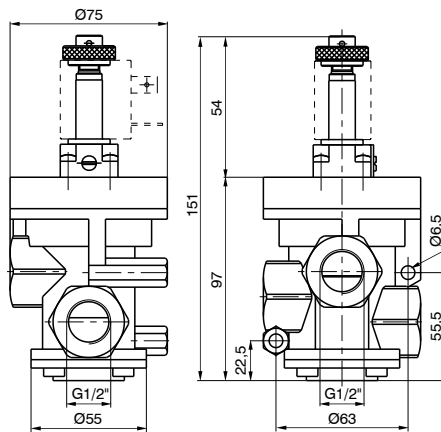


| Operational characteristics | |
|--|---------------------|
| Fluid | Vacuum |
| Minimum piloting pressure (bar) | 2 |
| Temperature °C | -10 ... +70 |
| Orifice size (mm) | 15 |
| Working port size | G1/2" |
| Pilot port size | G1/8" |
| Response time according to ISO 12238 energised (ms) | 1C = 30 - 1A = 17 |
| Response time according to ISO 12238 de-energised (ms) | 1C = 105 - 1A = 150 |

Solenoid-Spring-Self feeding



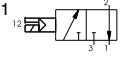
Weight 1160 g



| | |
|--------------------------|--|
| Ordering code | |
| 772/V.32.0.F.M2/V | |
| FUNCTION | |
| F | 1AA=Normally Open 1AC=Normally Closed |

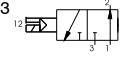
For vacuum - N.O.

Exhaust: Port 1
Outlet: Port 2
Pump: Port 3



For vacuum - N.C.

Exhaust: Port 3
Outlet: Port 2
Pump: Port 1

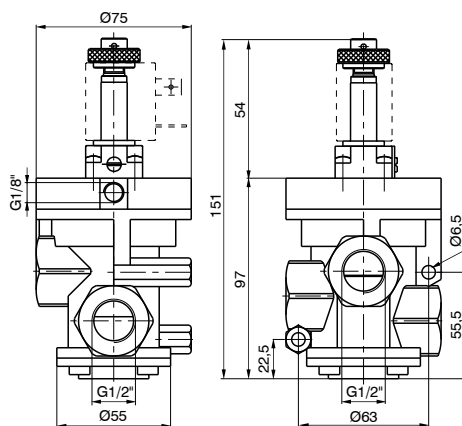


| Operational characteristics | |
|--|---------------------|
| Fluid | Vacuum |
| Temperature °C | -5 ... +50 |
| Orifice size (mm) | 15 |
| Working port size | G1/2" |
| Pilot port size | G1/8" |
| Response time according to ISO 12238 energised (ms) | 1AC = 80 - 1AA = 25 |
| Response time according to ISO 12238 de-energised (ms) | 1AC = 20 - 1AA = 20 |

Solenoid-Spring-External feeding



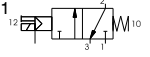
Weight 1160 g



| | |
|------------------------|--|
| Ordering code | |
| 772/V.32.0.F.M2 | |
| FUNCTION | |
| F | 1A=Normally Open 1C=Normally Closed |

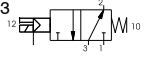
For vacuum - N.O.

Exhaust: Port 1
Outlet: Port 2
Pump: Port 3



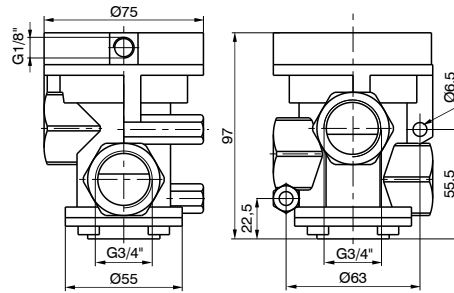
For vacuum - N.C.

Exhaust: Port 3
Outlet: Port 2
Pump: Port 1



| Operational characteristics | |
|--|--------------------|
| Fluid | Vacuum |
| Minimum piloting pressure (bar) | 2 |
| Temperature °C | -5 ... +50 |
| Orifice size (mm) | 15 |
| Working port size | G 1/2" |
| Pilot port size | G 1/8" |
| Response time according to ISO 12238 energised (ms) | 1C = 25 - 1A = 15 |
| Response time according to ISO 12238 de-energised (ms) | 1C = 95 - 1A = 140 |

Pneumatic-Spring



| | |
|----------------------|--------------------|
| Ordering code | |
| 773/V.32.11.F | |
| FUNCTION | |
| F | 1C=Normally Closed |
| | 1A=Normally Open |

For vacuum - N.O.
Exhaust: Port 1
Outlet: Port 2 M10
Pump: Port 3

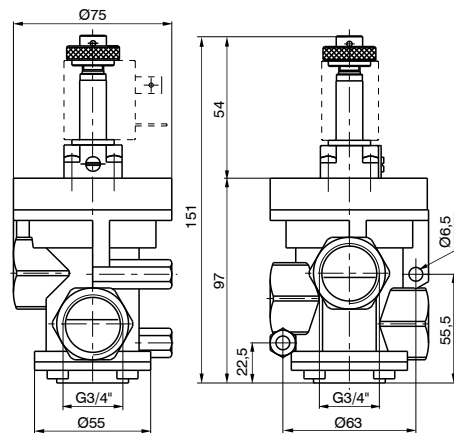
For vacuum - N.C.
Exhaust: Port 3
Outlet: Port 2 M10
Pump: Port 1

Weight 990 g

Operational characteristics

| | |
|--|---------------------|
| Fluid | Vacuum |
| Minimum piloting pressure (bar) | 2 |
| Temperature °C | -5 ... +70 |
| Orifice size (mm) | 20 |
| Working port size | G3/4" |
| Pilot port size | G1/8" |
| Response time according to ISO 12238 energised (ms) | 1C = 30 - 1A = 17 |
| Response time according to ISO 12238 de-energised (ms) | 1C = 105 - 1A = 145 |

Solenoid-Spring-Self feeding



| | |
|--------------------------|---------------------|
| Ordering code | |
| 773/V.32.0.F.M2/V | |
| FUNCTION | |
| F | 1AA=Normally Open |
| | 1AC=Normally Closed |

For vacuum - N.O.
Exhaust: Port 1 M10
Outlet: Port 2
Pump: Port 3

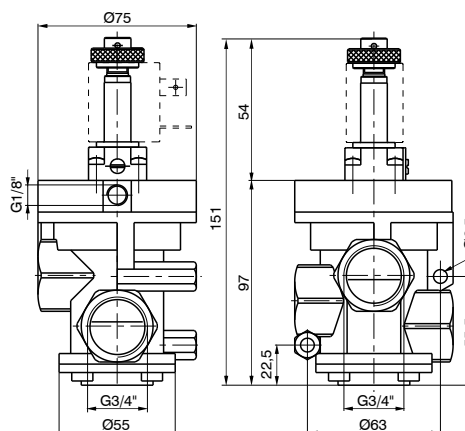
For vacuum - N.C.
Exhaust: Port 3 M10
Outlet: Port 2
Pump: Port 1

Weight 1050 g

Operational characteristics

| | |
|--|---------------------|
| Fluid | Vacuum |
| Temperature °C | -5 ... +50 |
| Orifice size (mm) | 20 |
| Working port size | G3/4" |
| Pilot port size | G1/8" |
| Response time according to ISO 12238 energised (ms) | 1AC = 75 - 1AA = 33 |
| Response time according to ISO 12238 de-energised (ms) | 1AC = 13 - 1AA = 22 |

Solenoid-Spring-External feeding



| | |
|------------------------|--------------------|
| Ordering code | |
| 773/V.32.0.F.M2 | |
| FUNCTION | |
| F | 1A=Normally Open |
| | 1C=Normally Closed |

For vacuum - N.O.
Exhaust: Port 1 M10
Outlet: Port 2
Pump: Port 3

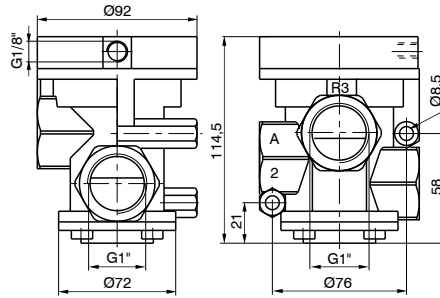
For vacuum - N.C.
Exhaust: Port 3 M10
Outlet: Port 2
Pump: Port 1

Weight 1050 g

Operational characteristics

| | |
|--|--------------------|
| Fluid | Vacuum |
| Minimum piloting pressure (bar) | 2 |
| Temperature °C | -5 ... +50 |
| Orifice size (mm) | 20 |
| Working port size | G3/4" |
| Pilot port size | G1/8" |
| Response time according to ISO 12238 energised (ms) | 1C = 25 - 1A = 13 |
| Response time according to ISO 12238 de-energised (ms) | 1C = 95 - 1A = 140 |

Pneumatic-Spring



| |
|-----------------------------|
| Ordering code |
| 771/V.32.11.F |
| FUNCTION |
| F 1C=Normally Closed |
| 1A=Normally Open |

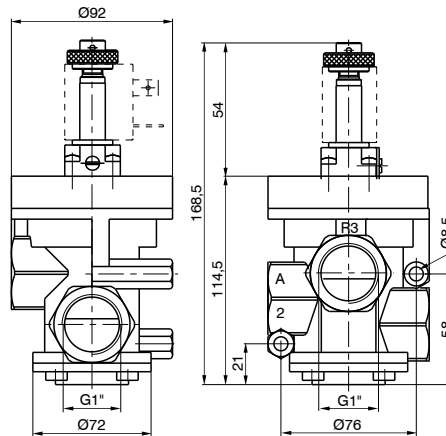
For vacuum - N.O.
Exhaust: Port 1
Outlet: Port 2
Pump: Port 3

For vacuum - N.C.
Exhaust: Port 3
Outlet: Port 2
Pump: Port 1

Weight 1060 g

| Operational characteristics | |
|--|---------------------|
| Fluid | Vacuum |
| Minimum piloting pressure (bar) | 2 |
| Temperature °C | -5 ... +70 |
| Orifice size (mm) | 25 |
| Working port size | G1" |
| Pilot port size | G1/8" |
| Response time according to ISO 12238 energised (ms) | 1C = 45 - 1A = 18 |
| Response time according to ISO 12238 de-energised (ms) | 1C = 250 - 1A = 260 |

Solenoid-Spring-Self feeding



| |
|----------------------------|
| Ordering code |
| 771/V.32.0.F.M2/V |
| FUNCTION |
| F 1AA=Normally Open |
| 1AC=Normally Closed |

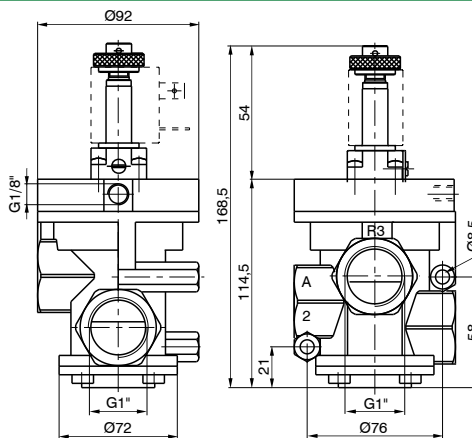
For vacuum - N.O.
Exhaust: Port 1
Outlet: Port 2
Pump: Port 3

For vacuum - N.C.
Exhaust: Port 3
Outlet: Port 2
Pump: Port 1

Weight 1120 g

| Operational characteristics | |
|--|----------------------|
| Fluid | Vacuum |
| Temperature °C | -5 ... +50 |
| Orifice size (mm) | 25 |
| Working port size | G1" |
| Pilot port size | G1/8" |
| Response time according to ISO 12238 energised (ms) | 1AC = 120 - 1AA = 35 |
| Response time according to ISO 12238 de-energised (ms) | 1AC = 20 - 1AA = 40 |

Solenoid-Spring-External feeding



| |
|---------------------------|
| Ordering code |
| 771/V.32.0.F.M2 |
| FUNCTION |
| F 1A=Normally Open |
| 1C=Normally Closed |

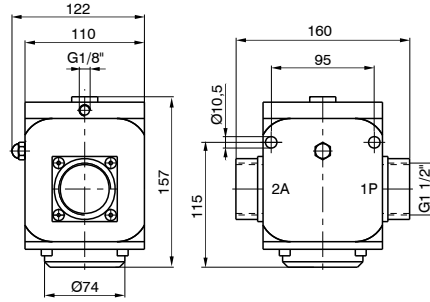
For vacuum - N.O.
Exhaust: Port 1
Outlet: Port 2
Pump: Port 3

For vacuum - N.C.
Exhaust: Port 3
Outlet: Port 2
Pump: Port 1

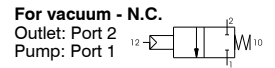
Weight 1120 g

| Operational characteristics | |
|--|---------------------|
| Fluid | Vacuum |
| Minimum piloting pressure (bar) | 2 |
| Temperature °C | -5 ... +50 |
| Orifice size (mm) | 25 |
| Working port size | G1" |
| Pilot port size | G1/8" |
| Response time according to ISO 12238 energised (ms) | 1C = 45 - 1A = 17 |
| Response time according to ISO 12238 de-energised (ms) | 1C = 250 - 1A = 325 |

Pneumatic-Spring



| |
|-----------------------|
| Ordering code |
| 776/V.22.11.1C |

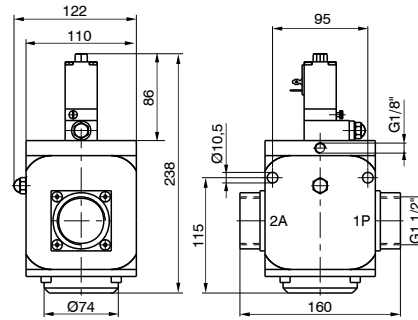


Weight 3950 g
Normally Closed

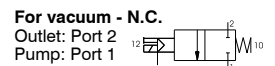
Operational characteristics

| | |
|---------------------------------|------------|
| Fluid | Vacuum |
| Minimum piloting pressure (bar) | 2 |
| Temperature °C | -5 ... +70 |
| Orifice size (mm) | 38 |
| Working port size | G1 1/2" |
| Pilot port size | G1/8" |

Solenoid-Spring



| |
|--|
| Ordering code |
| 776/V.22.0.1C.S |
| S SOLENOID CODE See S.V. pag.109 |



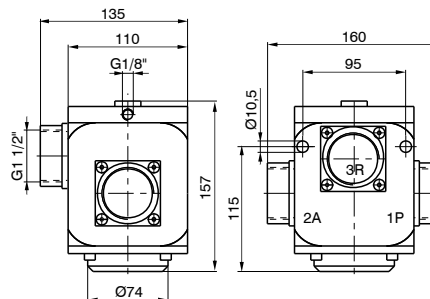
Weight 4450 g
External feeding Normally closed

Operational characteristics

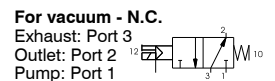
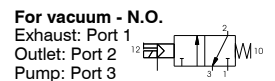
| | |
|---------------------------------|------------|
| Fluid | Vacuum |
| Minimum piloting pressure (bar) | 2 |
| Temperature °C | -5 ... +50 |
| Orifice size (mm) | 38 |
| Working port size | G1 1/2" |
| Pilot port size | G1/8" |

VALVES AND SOLENOID VALVES

Pneumatic-Spring



| |
|---|
| Ordering code |
| 776/V.32.11.F |
| FUNCTION F 1A=Normally Open 1C=Normally Closed |



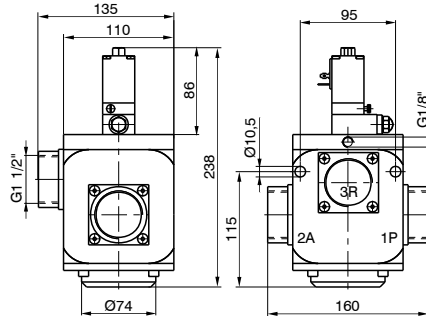
Weight 3900 g

Operational characteristics

| | |
|---------------------------------|------------|
| Fluid | Vacuum |
| Minimum piloting pressure (bar) | 2 |
| Temperature °C | -5 ... +70 |
| Orifice size (mm) | 38 |
| Working port size | G1 1/2" |
| Pilot port size | G1/8" |



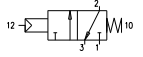
Solenoid-Spring



| | |
|-----------------------|---|
| Ordering code | |
| 776/V.32.0.F.S | |
| FUNCTION | |
| F | 1C= External feeding Normally closed |
| | 1A= External feeding Normally open |
| SOLENOID CODE | |
| See S.V. pag.109 | |

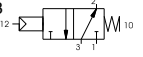
For vacuum - N.O.

Exhaust: Port 1
Outlet: Port 2
Pump: Port 3



For vacuum - N.C.

Exhaust: Port 3
Outlet: Port 2
Pump: Port 1



Weight 4500 g

| Operational characteristics | |
|---------------------------------|------------|
| Fluid | Vacuum |
| Minimum piloting pressure (bar) | 2 |
| Temperature °C | -5 ... +50 |
| Orifice size (mm) | 38 |
| Working port size | G1 1/2" |
| Pilot port size | G 1/8" |

Valves and solenoid valves poppet system Series T772-773

Valves and solenoid valves poppet system G1/2 "and G3/4" made of high resistance thermoplastic material.



The use of thermoplastic materials has made possible to obtain significantly reduced weights respect to the zamak version and, most importantly, a cost optimization.

The use of a rolling diaphragm in place of the traditional piston, allowed to eliminate friction and wear on the seal. Except for the versions with an external vacuum supply and normally open self feeding vacuum. There is an additional seal provided on the piston which isolates the diaphragm connection 3 this makes it possible to improve the functionality of the valve.

For versions with microsolenoid internal or external supply, there is a fast discharge system incorporated in the operator, which reduces the response time for repositioning the valve by 60%.

The MP version of the solenoid actuator requires an external air or vacuum supply. The MV version uses a self feeding vacuum.


VALVES AND SOLENOID VALVES

Construction characteristics

| | |
|------------------------------|-------------------------------|
| Body, operator and end cover | High resistance technopolymer |
| Seals and poppets | Oil resistant rubber (NBR) |
| Piston and shaft | Acetal resin |
| Springs | AISI 302 stainless steel |
| Diaphragm | Oil resistant rubber (NBR) |

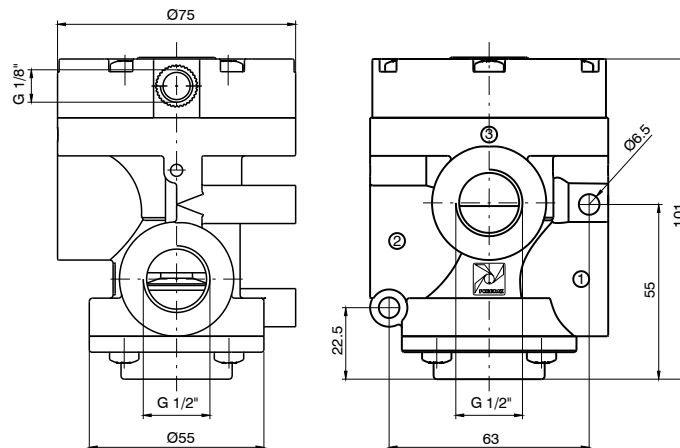


Use and maintenance

These valves and solenoid valves have an average service life of approximately 10 - 15 million cycles under optimum conditions of usage. They do not need to be lubricated to operate well, but good filtration is recommended to prevent dirt accumulation inside. Ensure that the conditions of use are consistent with the indicated limits, pressure, temperature, etc. Take care to protect the discharge outlets of the valves in the presence of dirt and powder. When the self feeding version is used in the solenoid valves, check that the supply flow rate is greater than or equal to that of use, otherwise switch to the version with external pilot. The ordering codes refer to solenoid valves with "MP" or "MV" mechanicals mounted. The solenoid coils are not included and have to be ordered separately (see General Catalogue, Series 300, Section 1) with the exception of the bistable versions which already have solenoid coils 24V DC (N331.0A). Certified solenoid coils are also available  (see Series 300).

Series T700

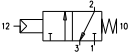
Pneumatic-Spring



| |
|-----------------------|
| Ordering code |
| T772/V.32.11.1 |

For vacuum - N.O.

Exhaust: Port 1
Outlet: Port 2
Pump: Port 3



For vacuum - N.C.

Exhaust: Port 3
Outlet: Port 2
Pump: Port 1

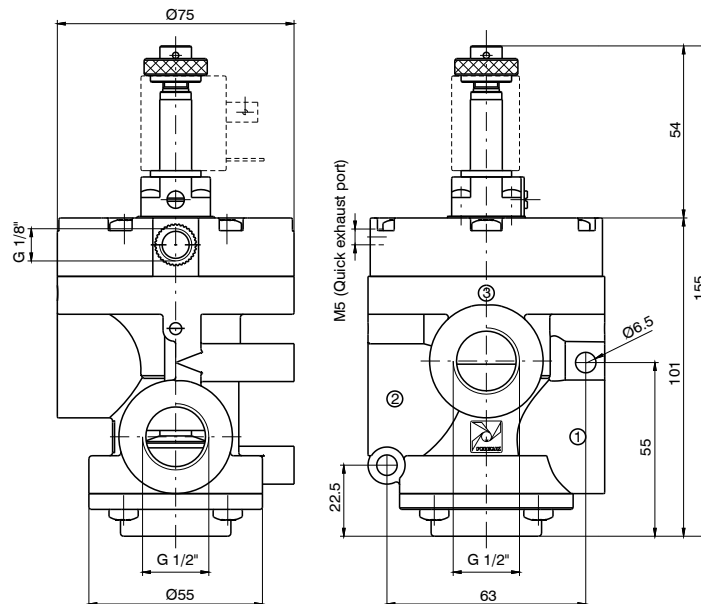


Weight 350 g

Operational characteristics

| Fluid | Vacuum |
|--|-------------------------|
| Minimum piloting pressure (bar) | 2,5 |
| Temperature °C | -5 ... +50 |
| Orifice size (mm) | 15 |
| Working port size | G1/2" |
| Pilot port size | G1/8" |
| Response time according to ISO 12238 energised (ms) | N.C. = 50 - N.O. = 27 |
| Response time according to ISO 12238 de-energised (ms) | N.C. = 150 - N.O. = 195 |

Solenoid-Spring-Self feeding



| |
|----------------------------|
| Ordering code |
| T772/V.32.0.F.MV |
| FUNCTION |
| F 1AA=Normally Open |
| 1AC=Normally Closed |

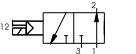
For vacuum - N.O.

Exhaust: Port 3
Outlet: Port 2
Pump: Port 1



For vacuum - N.C.

Exhaust: Port 1
Outlet: Port 2
Pump: Port 3

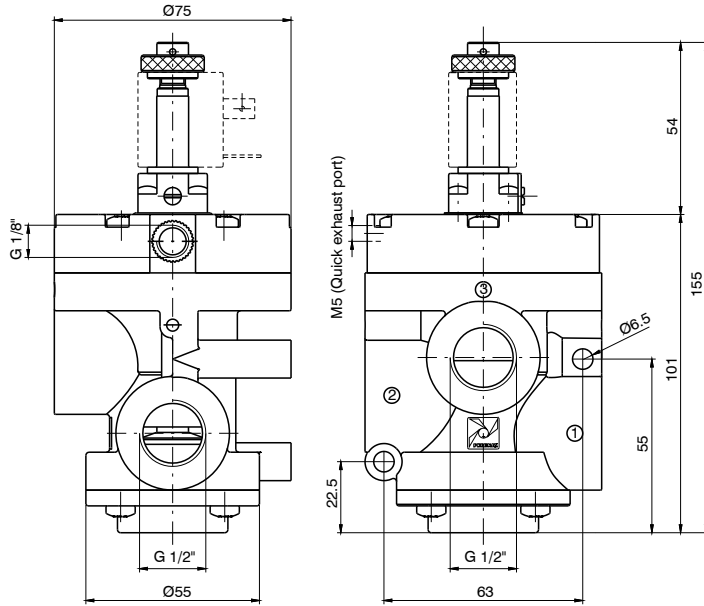


Weight 390 g

Operational characteristics

| Fluid | Vacuum |
|--|---------------------|
| Temperature °C | -5 ... +50 |
| Orifice size (mm) | 15 |
| Working port size | G1/2" |
| Pilot port size | G1/8" |
| Response time according to ISO 12238 energised (ms) | 1AC = 55 - 1AA = 33 |
| Response time according to ISO 12238 de-energised (ms) | 1AC = 30 - 1AA = 38 |

Solenoid-Spring-External feeding



Ordering code
T772/V.32.0.1.MP

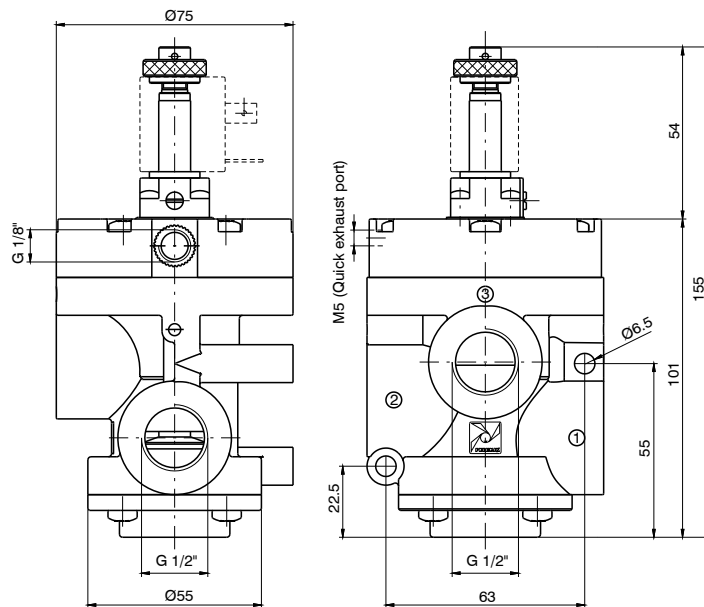
For vacuum - N.O.
Exhaust: Port 1
Outlet: Port 2
Pump: Port 3

For vacuum - N.C.
Exhaust: Port 3
Outlet: Port 2
Pump: Port 1

Weight 390 g

| Operational characteristics | |
|--|-------------------------|
| Fluid | Vacuum |
| Minimum piloting pressure (bar) | 2,5 |
| Temperature °C | -5 ... +50 |
| Orifice size (mm) | 15 |
| Working port size | $G 1/2''$ |
| Pilot port size | $G 1/8''$ |
| Response time according to ISO 12238 energised (ms) | N.C. = 42 - N.O. = 22 |
| Response time according to ISO 12238 de-energised (ms) | N.C. = 135 - N.O. = 175 |

Solenoid-Spring-Self feeding



Ordering code
T772/VS.32.0.1.MP

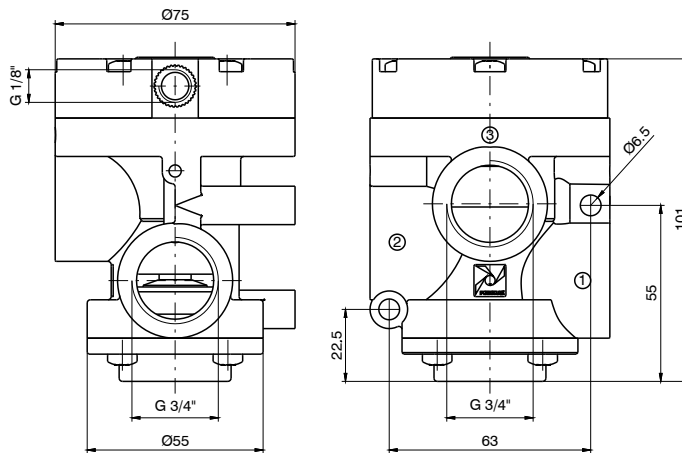
For vacuum - N.O.
Exhaust: Port 3
Outlet: Port 2
Pump: Port 1

For vacuum - N.C.
Exhaust: Port 1
Outlet: Port 2
Pump: Port 3

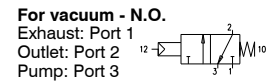
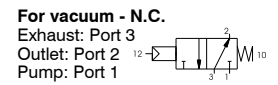
Weight 390 g

| Operational characteristics | |
|--|-----------------------|
| Fluid | Vacuum |
| Minimum piloting pressure (bar) | 2,5 |
| Temperature °C | -5 ... +50 |
| Orifice size (mm) | 15 |
| Working port size | $G 1/2''$ |
| Pilot port size | $G 1/8''$ |
| Response time according to ISO 12238 energised (ms) | N.C. = 43 - N.O. = 25 |
| Response time according to ISO 12238 de-energised (ms) | N.C. = 37 - N.O. = 42 |

Pneumatic-Spring



| |
|-----------------------|
| Ordering code |
| T773/V.32.11.1 |

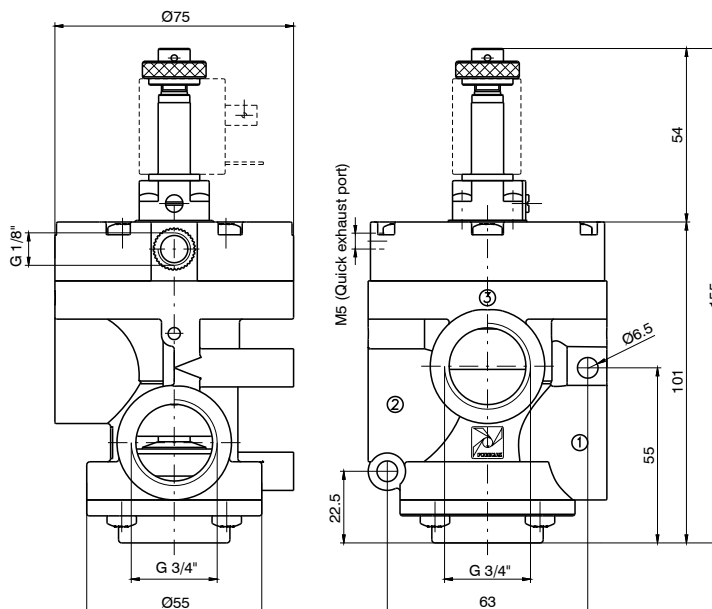


Weight 330 g

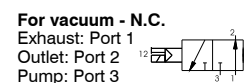
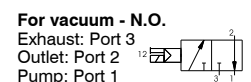
Operational characteristics

| | |
|--|-------------------------|
| Fluid | Vacuum |
| Minimum piloting pressure (bar) | 2,5 |
| Temperature °C | -5 ... +50 |
| Orifice size (mm) | 20 |
| Working port size | G3/4" |
| Pilot port size | G1/8" |
| Response time according to ISO 12238 energised (ms) | N.C. = 28 - N.O. = 50 |
| Response time according to ISO 12238 de-energised (ms) | N.C. = 190 - N.O. = 150 |

Solenoid-Spring-Self feeding



| |
|-------------------------|
| Ordering code |
| T773/V.32.0.F.MV |
| FUNCTION |
| 1AA=Normally Open |
| 1AC=Normally Closed |

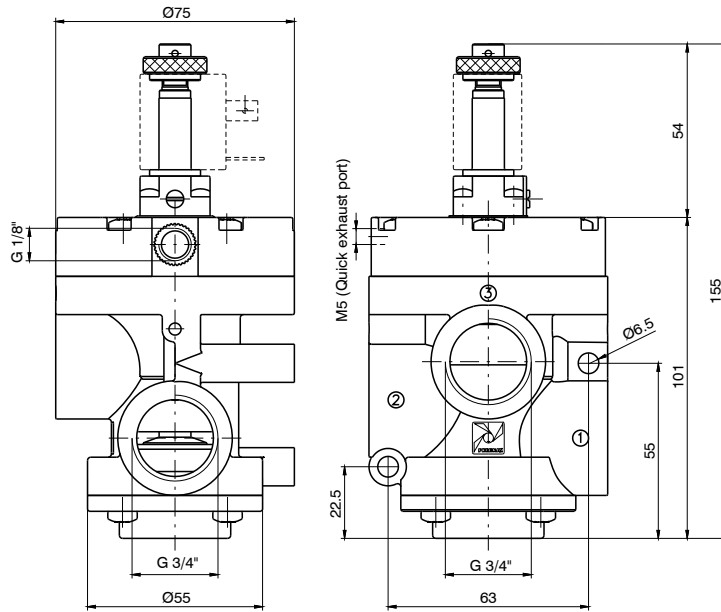


Weight 370 g

Operational characteristics

| | |
|--|---------------------|
| Fluid | Vacuum |
| Temperature °C | -5 ... +50 |
| Orifice size (mm) | 20 |
| Working port size | G3/4" |
| Pilot port size | G1/8" |
| Response time according to ISO 12238 energised (ms) | 1AC = 35 - 1AA = 32 |
| Response time according to ISO 12238 de-energised (ms) | 1AC = 30 - 1AA = 80 |

Solenoid-Spring-External feeding



Ordering code
T773/V.32.0.1.MP

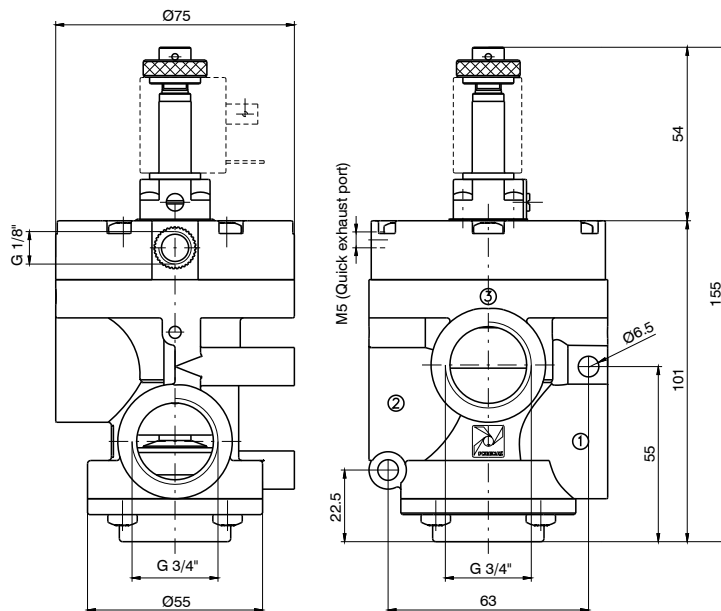
For vacuum - N.O.
Exhaust: Port 1
Outlet: Port 2
Pump: Port 3

For vacuum - N.C.
Exhaust: Port 3
Outlet: Port 2
Pump: Port 1

Weight 350 g

| Operational characteristics | |
|--|-------------------------|
| Fluid | Vacuum |
| Minimum piloting pressure (bar) | 2,5 |
| Temperature °C | -5 ... +50 |
| Orifice size (mm) | 20 |
| Working port size | G3/4" |
| Pilot port size | G1/8" |
| Response time according to ISO 12238 energised (ms) | N.C. = 25 - N.O. = 40 |
| Response time according to ISO 12238 de-energised (ms) | N.C. = 175 - N.O. = 145 |

Solenoid-Spring-External feeding with quick exhaust



Ordering code
T773/VS.32.0.1.MP

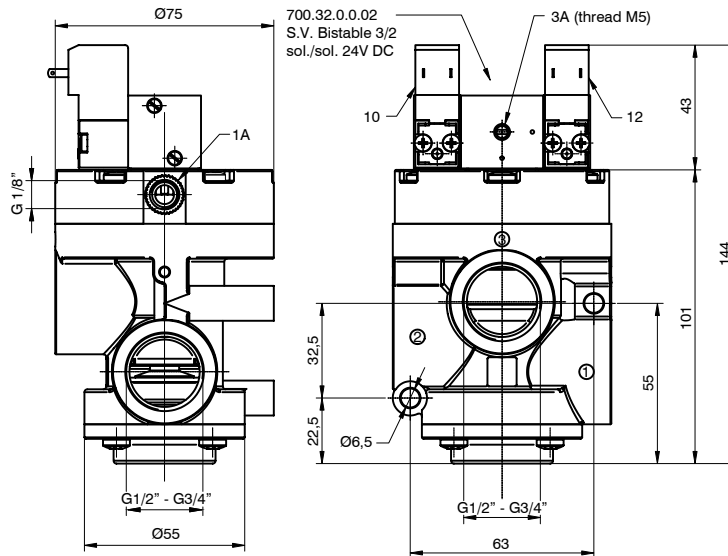
For vacuum - N.O.
Exhaust: Port 3
Outlet: Port 2
Pump: Port 1

For vacuum - N.C.
Exhaust: Port 1
Outlet: Port 2
Pump: Port 3

Weight 390 g

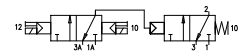
| Operational characteristics | |
|--|-----------------------|
| Fluid | Vacuum |
| Minimum piloting pressure (bar) | 2,5 |
| Temperature °C | -5 ... +50 |
| Orifice size (mm) | 20 |
| Working port size | G3/4" |
| Pilot port size | G1/8" |
| Response time according to ISO 12238 energised (ms) | N.C. = 25 - N.O. = 42 |
| Response time according to ISO 12238 de-energised (ms) | N.C. = 40 - N.O. = 38 |

Bistable version for vacuum G1/2"

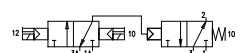


Ordering code
T772/V.32.0.1.BP

For vacuum - N.O.
Exhaust: Port 3
Outlet: Port 2
Pump: Port 1



For vacuum - N.C.
Exhaust: Port 1
Outlet: Port 2
Pump: Port 3

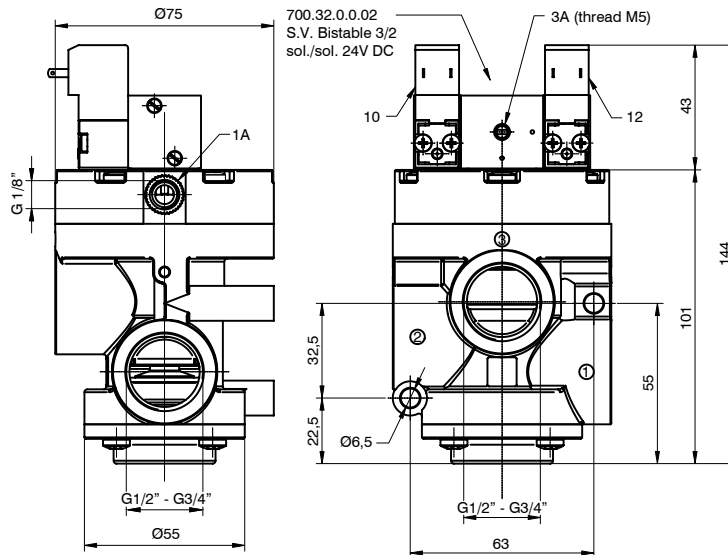


Weight 550 g

Operational characteristics

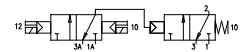
| | |
|---------------------------------|------------|
| Fluid | Vacuum |
| Minimum piloting pressure (bar) | 2,5 |
| Temperature °C | -5 ... +50 |
| Orifice size (mm) | 15 |
| Working port size | G 1/2" |
| Pilot port size | G 1/8" |

Bistable version for vacuum G3/4"



Ordering code
T773/V.32.0.1.BP

For vacuum - N.O.
Exhaust: Port 3
Outlet: Port 2
Pump: Port 1



For vacuum - N.C.
Exhaust: Port 1
Outlet: Port 2
Pump: Port 3

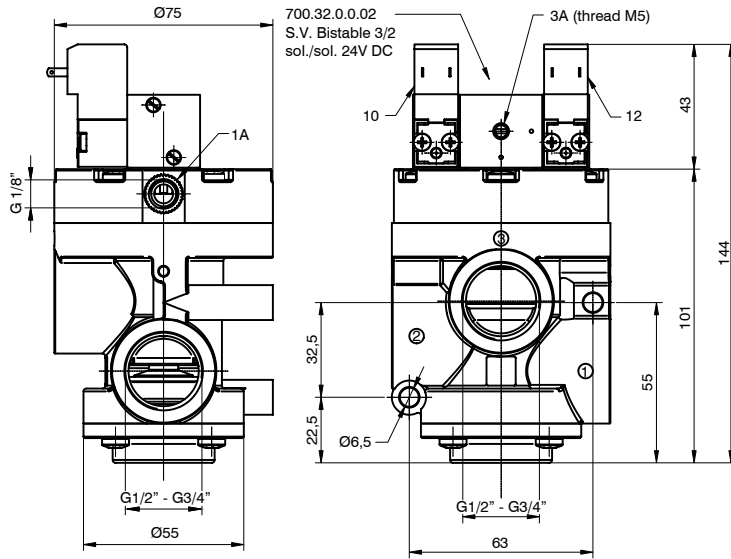


Weight 550 g

Operational characteristics

| | |
|---------------------------------|------------|
| Fluid | Vacuum |
| Minimum piloting pressure (bar) | 2,5 |
| Temperature °C | -5 ... +50 |
| Orifice size (mm) | 15 |
| Working port size | G 3/4" |
| Pilot port size | G 1/8" |

Bistable version for vacuum G1/2" with quick exhaust



Ordering code
T772/VS.32.0.1.BP

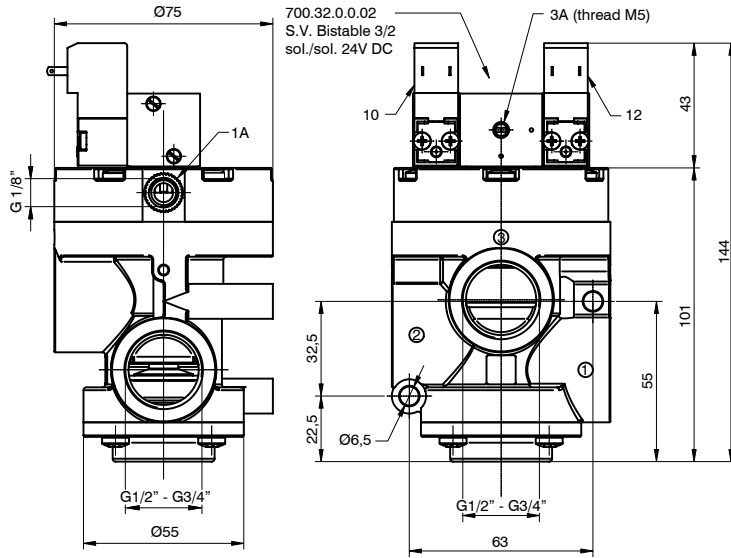
For vacuum - N.C.
Exhaust: Port 1
Outlet: Port 2
Pump: Port 3

For vacuum - N.O.
Exhaust: Port 3
Outlet: Port 2
Pump: Port 1

Weight 550 g

| Operational characteristics | |
|---------------------------------|------------|
| Fluid | Vacuum |
| Minimum piloting pressure (bar) | 2,5 |
| Temperature °C | -5 ... +50 |
| Orifice size (mm) | 15 |
| Working port size | G 1/2" |
| Pilot port size | G 1/8" |

Bistable version for vacuum G3/4" with quick exhaust



Ordering code
T773/VS.32.0.1.BP

For vacuum - N.O.
Exhaust: Port 3
Outlet: Port 2
Pump: Port 1

For vacuum - N.C.
Exhaust: Port 1
Outlet: Port 2
Pump: Port 3

Weight 550 g

| Operational characteristics | |
|---------------------------------|------------|
| Fluid | Vacuum |
| Minimum piloting pressure (bar) | 2,5 |
| Temperature °C | -5 ... +50 |
| Orifice size (mm) | 15 |
| Working port size | G3/4" |
| Pilot port size | G1/8" |

VALVES AND SOLENOID VALVES

Valves and solenoid valves poppet system Series T771

The series of valves and solenoid valves poppet system G1" complete the range of technopolymer valves T700 series.



Even for this version, the main feature is the high-resistance thermoplastic material from which the components are moulded. This made it possible to obtain an aesthetically pleasing product with a considerably reduced weight compared to the standard version, and, most importantly, a cost optimization.

As for the versions of 1/2" and 3/4" there were also technical and functional changes made, starting with the use of a rolling diaphragm in place of the traditional piston, thus eliminating friction and wear on the seal.

With the exception of the normally open (N.O.) self feeding vacuum version. In this case an additional seal is provided on the piston which isolates the diaphragm connection 3, which improves the functionality of the valve.


For the versions with microsolenoids that are internally or externally supplied, a quick discharge system is available, incorporated in the operator, which reduces the valve's repositioning response times by a further 80%. The MP version of the solenoid actuator requires an external vacuum supply. The MV version uses a self feeding vacuum. Double versions are also available, equipped with a solenoid valve 3/2 Solenoid-Solenoid complete with 15mm 24V DC microactuators (code N331.0A).



Construction characteristics

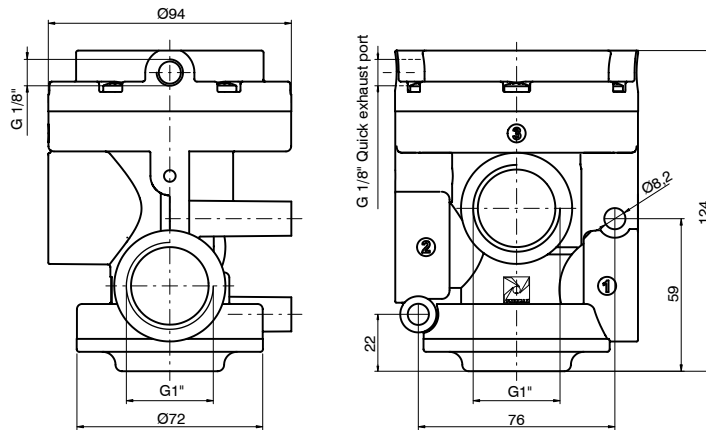
| | |
|------------------------------|-------------------------------|
| Body, operator and end cover | High resistance technopolymer |
| Seals and poppets | Oil resistant rubber (NBR) |
| Piston and shaft | Acetal resin |
| Springs | AISI 303 stainless steel |
| Diaphragm | Oil resistant rubber (NBR) |

Use and maintenance

These valves and solenoid valves have an average service life of approximately 10 - 15 million cycles under optimum conditions of usage. They do not need to be lubricated to operate well, but good filtration is recommended to prevent dirt accumulation inside. Ensure that the conditions of use are consistent with the indicated limits, pressure, temperature, etc. Take care to protect the discharge outlets of the valves in the presence of dirt and powder. When the self feeding version is used in the solenoid valves, check that the supply flow rate is greater than or equal to that of use, otherwise switch to the version with external pilot. The ordering codes refer to solenoid valves with "MP" or "MV" mechanicals mounted. The solenoid coils are not included and have to be ordered separately (see General Catalogue, Series 300, Section 1) with the exception of the bistable versions which already have solenoid coils 24V DC (N331.0A). Certified solenoid coils are also available  (see Series 300).

Series T771

Pneumatic-Spring



Ordering code

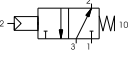
T771/V.32.11.1

For vacuum - N.C.

Exhaust: Port 3

Outlet: Port 2

Pump: Port 1

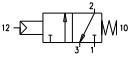


For vacuum - N.O.

Exhaust: Port 1

Outlet: Port 2

Pump: Port 3

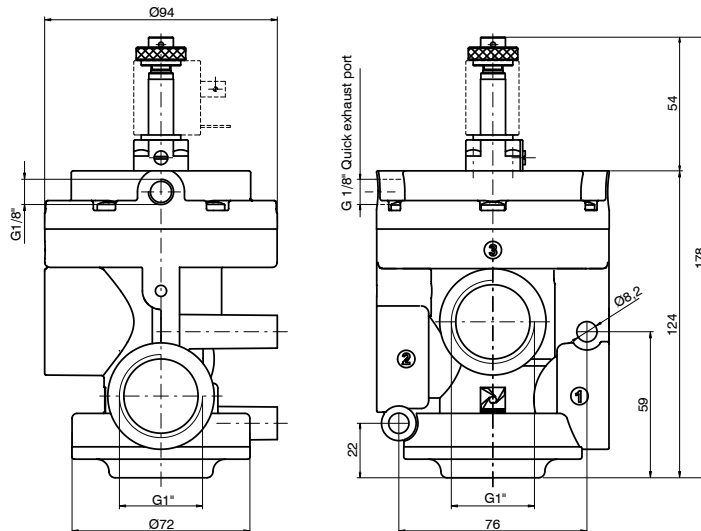


Weight 480 g

Operational characteristics

| Fluid | Vacuum |
|--|-------------------------|
| Minimum piloting pressure (bar) | 2 |
| Temperature °C | -5 ... +50 |
| Orifice size (mm) | 25 |
| Working port size | G 1" |
| Pilot port size | G 1/8" |
| Response time according to ISO 12238 energised (ms) | N.C. = 55 - N.O. = 19 |
| Response time according to ISO 12238 de-energised (ms) | N.C. = 320 - N.O. = 450 |

Solenoid-Spring-Self feeding



Ordering code

T771/V.32.0.F.MV

FUNCTION

F 1AC=Normally Closed

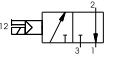
1AA=Normally Open

For vacuum - N.O.

Exhaust: Port 3

Outlet: Port 2

Pump: Port 1

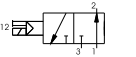


For vacuum - N.C.

Exhaust: Port 1

Outlet: Port 2

Pump: Port 3



Weight 520 g

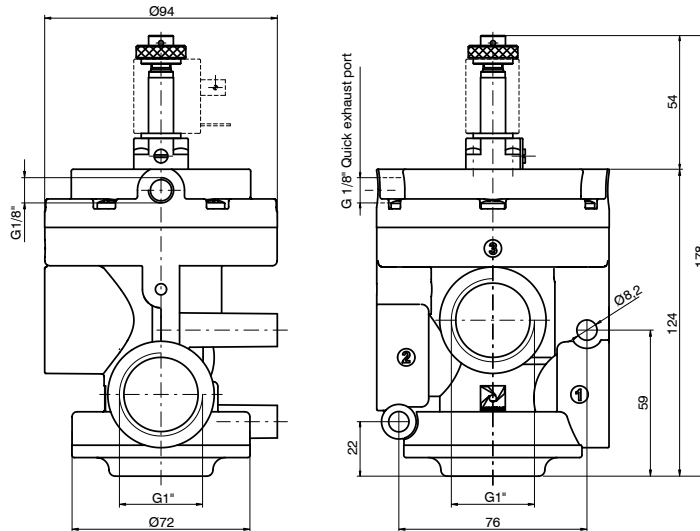
Operational characteristics

| Fluid | Vacuum |
|--|----------------------|
| Temperature °C | -5 ... +50 |
| Orifice size (mm) | 25 |
| Working port size | G 1" |
| Pilot port size | G 1/8" |
| Response time according to ISO 12238 energised (ms) | 1AC = 100 - 1AA = 80 |
| Response time according to ISO 12238 de-energised (ms) | 1AC = 60 - 1AA = 60 |

Solenoid-Spring-External feeding



Weight 520 g



| |
|-------------------------|
| Ordering code |
| T771/V.32.0.1.MP |

For vacuum - N.O.
Exhaust: Port 1 M_{10}
Outlet: Port 2
Pump: Port 3

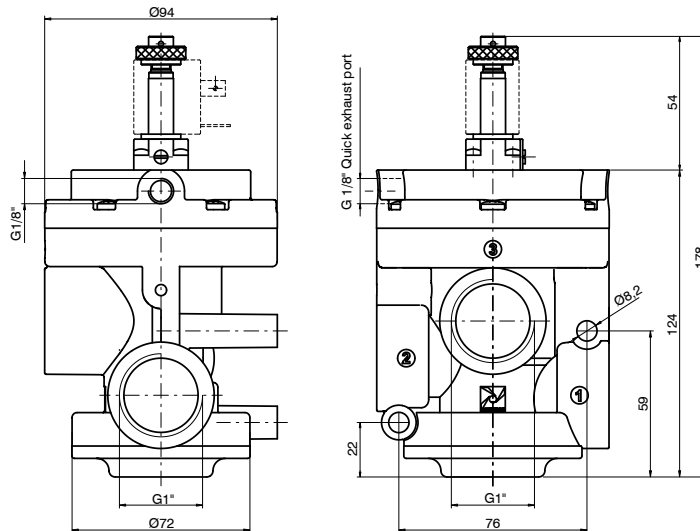
For vacuum - N.C.
Exhaust: Port 3 M_{10}
Outlet: Port 2
Pump: Port 1

| Operational characteristics | |
|--|-------------------------|
| Fluid | Vacuum |
| Minimum piloting pressure (bar) | 2 |
| Temperature °C | -5 ... +50 |
| Orifice size (mm) | 25 |
| Working port size | G 1" |
| Pilot port size | G 1/8" |
| Response time according to ISO 12238 energised (ms) | N.C. = 50 - N.O. = 19 |
| Response time according to ISO 12238 de-energised (ms) | N.C. = 315 - N.O. = 450 |

Solenoid-Spring-External feeding with quick exhaust



Weight 520 g



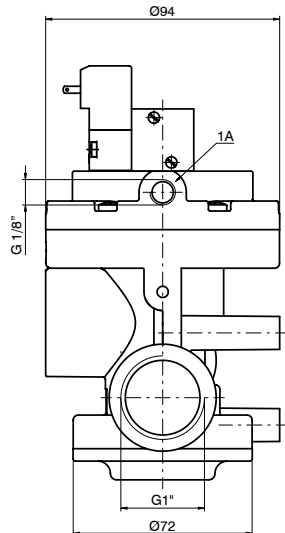
| |
|--------------------------|
| Ordering code |
| T771/VS.32.0.1.MP |

For vacuum - N.O.
Exhaust: Port 3 M_{10}
Outlet: Port 2
Pump: Port 1

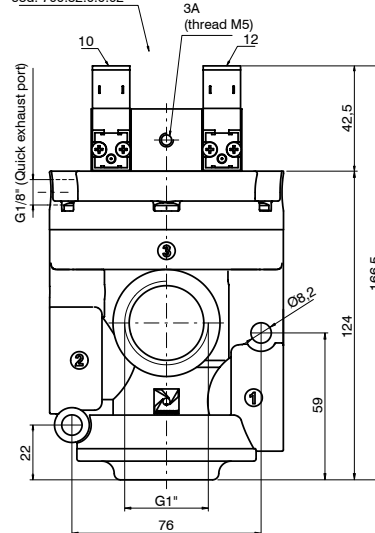
For vacuum - N.C.
Exhaust: Port 1 M_{10}
Outlet: Port 2
Pump: Port 3

| Operational characteristics | |
|--|-----------------------|
| Fluid | Vacuum |
| Minimum piloting pressure (bar) | 2 |
| Temperature °C | -5 ... +50 |
| Orifice size (mm) | 25 |
| Working port size | G 1" |
| Pilot port size | G 1/8" |
| Response time according to ISO 12238 energised (ms) | N.C. = 50 - N.O. = 19 |
| Response time according to ISO 12238 de-energised (ms) | N.C. = 50 - N.O. = 70 |

Bistable version for vacuum G1"

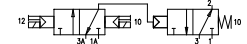


S.V. Bistable 3/2 sol./sol. 24 V DC
cod. 700.32.0.0.02

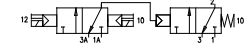


Ordering code
T771/V.32.0.1.BP

For vacuum - N.C.
Exhaust: Port 1
Outlet: Port 2
Pump: Port 3



For vacuum - N.O.
Exhaust: Port 3
Outlet: Port 2
Pump: Port 1

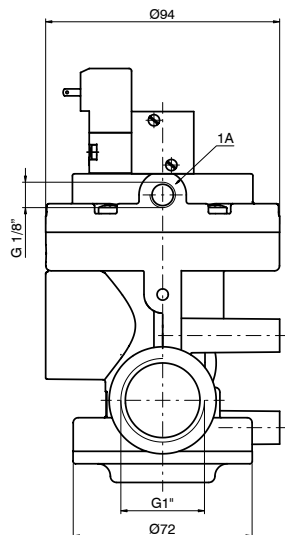


Weight 680 g

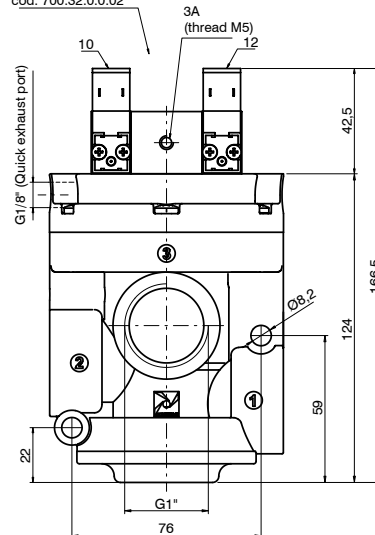
Operational characteristics

| Operational characteristics | |
|---------------------------------|------------|
| Fluid | Vacuum |
| Minimum piloting pressure (bar) | 2,5 |
| Temperature °C | -5 ... +50 |
| Orifice size (mm) | 25 |
| Working port size | G1" |
| Pilot port size | G1/8" |

Bistable version for vacuum G1" with exhaust

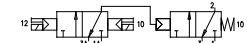


S.V. Bistable 3/2 sol./sol. 24 V DC
cod. 700.32.0.0.02

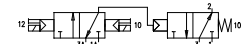


Ordering code
T771/VS.32.0.1.BP

For vacuum - N.O.
Exhaust: Port 3
Outlet: Port 2
Pump: Port 1



For vacuum - N.C.
Exhaust: Port 1
Outlet: Port 2
Pump: Port 3



Weight 680 g

Operational characteristics

| Operational characteristics | |
|---------------------------------|------------|
| Fluid | Vacuum |
| Minimum piloting pressure (bar) | 2,5 |
| Temperature °C | -5 ... +50 |
| Orifice size (mm) | 25 |
| Working port size | G1" |
| Pilot port size | G1/8" |



Valves and solenoid valves poppet system Series N776

Aluminium body, available with G1 1/2" connections, 3/2 and 2/2 N.C. and N.O. versions.




N776 valves mount rolling diaphragm in place of the traditional pistons, thus eliminating friction and wear on the seals.

There is an additional seal on the piston that insulates connection 3, making it possible to have normally open versions and self feeding versions with vacuum.

Construction characteristics

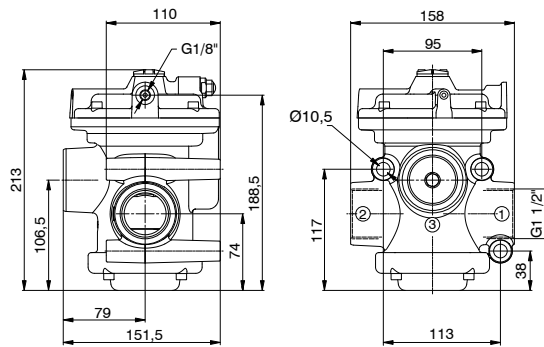
| | |
|------------------------------|----------------------------|
| Body, operator and end cover | Die casting aluminium |
| Seals and poppets | Oil resistant rubber (NBR) |
| Piston | Acetal resin |
| Pin guide | Stainless steel |
| Springs | Stainless steel |
| Diaphragm | Oil resistant rubber (NBR) |

Use and maintenance

These valves and solenoid valves have an average service life of approximately 10 - 15 million cycles under optimum conditions of usage. They do not need to be lubricated to operate well, but good filtration is recommended to prevent dirt accumulation inside. Ensure that the conditions of use are consistent with the indicated limits, pressure, temperature, etc. Take care to protect the discharge outlets of the valves in the presence of dirt and powder. When the self feeding version is used in the solenoid valves, check that the supply flow rate is greater than or equal to that of use, otherwise switch to the version with external pilot. The actuation mechanicals are the M3R (Mechanics CNOMO) with two position manual control. The solenoid coils are not included and have to be ordered separately (see series 300 solenoid coils MB 22mm and solenoid coils CNOMO MC 30mm). Certified solenoid coils are also available  (see Series 300).

Series N776

Pneumatic-Spring

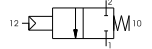


| |
|------------------------|
| Ordering code |
| N776/V.22.11.1C |

For vacuum - N.C.

Outlet: Port 2

Pump: Port 1

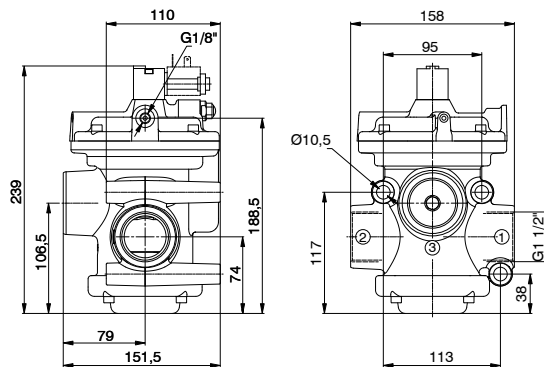


Weight 3178 g
Normally Closed

Operational characteristics

| | |
|---------------------------------|------------|
| Fluid | Vacuum |
| Minimum piloting pressure (bar) | 2 |
| Temperature °C | -5 ... +70 |
| Orifice size (mm) | 38 |
| Working port size | G1 1/2" |
| Pilot port size | G1/8" |

Solenoid-Spring



| |
|------------------------|
| Ordering code |
| N776/V.22.0.M3R |

FUNCTION

1AC=Self feeding
Normally Closed

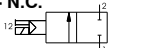
1C=External feeding
Normally Closed

Self feeding

For vacuum - N.C.

Outlet: Port 2

Pump: Port 1



External feeding

For vacuum - N.C.

Outlet: Port 2

Pump: Port 1

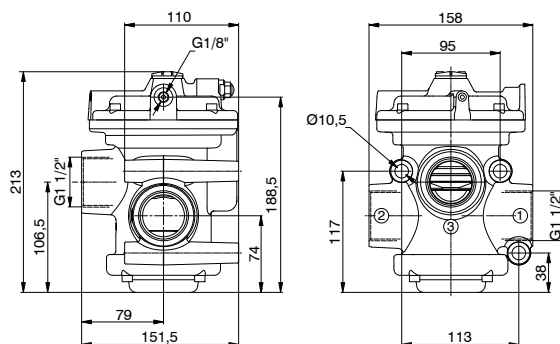


Weight 3238 g

Operational characteristics

| | |
|---------------------------------|------------|
| Fluid | Vacuum |
| Minimum piloting pressure (bar) | 2 |
| Temperature °C | -5 ... +70 |
| Orifice size (mm) | 38 |
| Working port size | G1 1/2" |
| Pilot port size | G1/8" |

Pneumatic-Spring



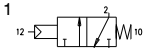
| |
|-----------------------|
| Ordering code |
| N776/V.32.11.1 |

For vacuum - N.O.

Exhaust: Port 1

Outlet: Port 2

Pump: Port 3

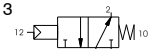


For vacuum - N.C.

Exhaust: Port 3

Outlet: Port 2

Pump: Port 1

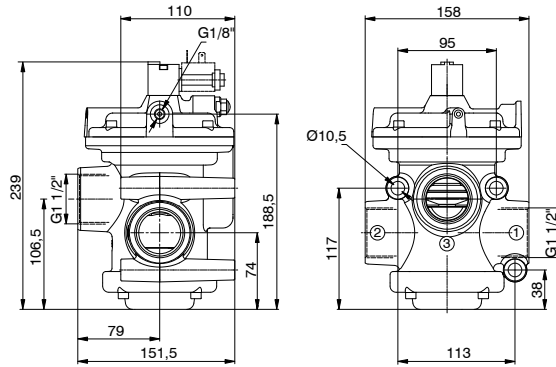


Weight 3168 g
Normally Closed / Normally Open

Operational characteristics

| | |
|---------------------------------|------------|
| Fluid | Vacuum |
| Minimum piloting pressure (bar) | 2 |
| Temperature °C | -5 ... +70 |
| Orifice size (mm) | 38 |
| Working port size | G1 1/2" |
| Pilot port size | G1/8" |

Solenoid-Spring

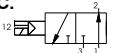


| | |
|--|--|
| Ordering code | |
| N776/V.32.0.F.M3R | |
| FUNCTION | |
| 1AC=Self feeding Normally Closed | |
| F 1AA=Self feeding Normally Open | |
| 1=External feeding Normally Closed Normally Open | |

Self feeding

For vacuum - N.C.

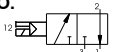
Exhaust: Port 3
Outlet: Port 2
Pump: Port 1



Self feeding

For vacuum - N.O.

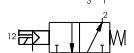
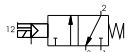
Exhaust: Port 1
Outlet: Port 2
Pump: Port 3



External feeding

For vacuum - N.C. - N.O.

Exhaust: Port 3 (N.C.) or 1 (N.O.)
Outlet: Port 2 (N.C. and N.O.)
Pump: Port 1 (N.C.) or 3 (N.O.)

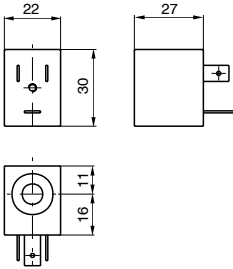


Weight 3228 g

| Operational characteristics | |
|---------------------------------|------------------------------|
| Fluid | Vacuum |
| Minimum piloting pressure (bar) | 2 (external feeding version) |
| Temperature °C | -5 ... +50 |
| Orifice size (mm) | 38 |
| Working port size | G1 1/2" |
| Pilot port size | G 1/8" |

Solenoid coils

Solenoid coils (for Series 771, 772, 773, 779, T772, T773, T771 and N776)



Weight 52 g

Standard Version

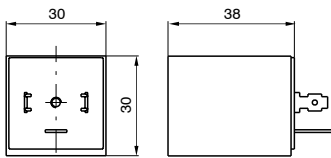
| Ordering code | Available voltages |
|---------------|---|
| MB 4 | 12 D.C. Direct current |
| MB 5 | 24 D.C. Direct current |
| MB 6 | 48 D.C. Direct current |
| MB 9 * | 24 D.C. (2 Watt) (Direct current, low consumption) |
| MB 17 | 24/50 Alternating current 50 Hz |
| MB 21 | 48/50 Alternating current 50 Hz |
| MB 22 | 110/50 Alternating current 50 Hz |
| MB 24 | 230/50 Alternating current 50 Hz |
| MB 37 | 24/60 Alternating current 60 Hz |
| MB 39 | 110/60 Alternating current 60 Hz |
| MB 41 | 230/60 Alternating current 60 Hz |
| MB 56 | 24/50-60 Alternating current 50/60 Hz |
| MB 57 | 110/50-60 Alternating current 50/60 Hz |
| MB 58 | 230/50-60 Alternating current 50/60 Hz |
| MB 66 ** | 24/50-60 Alternating current 50/60 Hz |
| MB 67 ** | 110/50-60 Alternating current 50/60 Hz |
| MB 68 ** | 230/50-60 Alternating current 50/60 Hz |

* Use only with M2/9
** low consumption

Version c

| Ordering code | Available voltages |
|---------------|--|
| UMB 4 | 12 D.C. Direct current |
| UMB 5 | 24 D.C. Direct current |
| UMB 56 | 24/50-60 Alternating current 50/60 Hz |
| UMB 57 | 110 ... 120/50-60 Alternating current 50/60 Hz |
| UMB 58 | 230/50-60 Alternating current 50/60 Hz |

Solenoid coils (for Series N776)



Weight 110 g

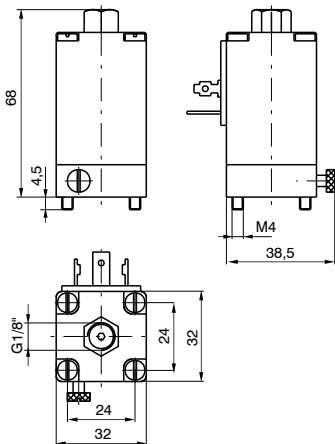
Standard Version

| Ordering code | Available voltages |
|---------------|--|
| MC 5 | 24 D.C. Direct current |
| MC 9 | 24 D.C. (2 Watt) Direct current |
| MC 56 | 24/50-60 Alternating current 50/60 Hz |
| MC 57 | 110/50-60 Alternating current 50/60 Hz |
| MC 58 | 230/50-60 Alternating current 50/60 Hz |

Version c

| Ordering code | Available voltages |
|---------------|--|
| UMC 5 | 24 D.C. Direct current |
| UMC 56 | 24/50-60 Alternating current 50/60 Hz |
| UMC 57 | 110 ... 120/50-60 Alternating current 50/60 Hz |
| UMC 58 | 230/50-60 Alternating current 50/60 Hz |

► Solenoid valve (for Series 776)



Weight 220 g

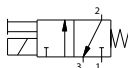
Versione Standard

| Ordering code | Available voltages |
|---------------|--|
| S 2 | 6 D.C. Direct current |
| S 4 | 12 D.C. Direct current |
| S 5 | 24 D.C. Direct current |
| S 6 | 48 D.C. Direct current |
| S 16 | 12/50 Alternating current 50 Hz |
| S 17 | 24/50 Alternating current 50 Hz |
| S 19 | 32/50 Alternating current 50 Hz |
| S 20 | 42/50 Alternating current 50 Hz |
| S 21 | 48/50 Alternating current 50 Hz |
| S 22 | 110/50 Alternating current 50 Hz |
| S 23 | 115/50 Alternating current 50 Hz |
| S 24 | 230/50 Alternating current 50 Hz |
| S 36 | 12/60 Alternating current 60 Hz |
| S 37 | 24/60 Alternating current 60 Hz |
| S 38 | 48/60 Alternating current 60 Hz |
| S 39 | 110/60 Alternating current 60 Hz |
| S 40 | 115/60 Alternating current 60 Hz |
| S 41 | 230/60 Alternating current 60 Hz |
| S 56 | 24/50-60 Alternating current 50/60 Hz |
| S 57 | 110/50-60 Alternating current 50/60 Hz |
| S 58 | 230/50-60 Alternating current 50/60 Hz |

Versione c US

| Ordering code | Available voltages |
|---------------|--|
| US 4 | 12 D.C. Direct current |
| US 5 | 24 D.C. Direct current |
| US 56 | 24/50-60 Alternating current 50/60 Hz |
| US 57 | 110 ... 120/50-60 Alternating current 50/60 Hz |
| US 58 | 230/50-60 Alternating current 50/60 Hz |

Normally Closed (N.C.)



Pad valves Series PVA

Pad valves are one of the more functional and efficient solutions for intercepting fluids.



The valves are composed of a bronze body, 2 ways, with pneumatic control, with a compact single or double acting cylinder with connections which can be turned 360°. Versions are available that have the gaskets in contact with the fluid, and are made of NBR, FPM or PTFE.

The liner profile allows use of magnetic sensors with codes "1500._", "RS._", "HS._", for type "A" slot.

Construction characteristics

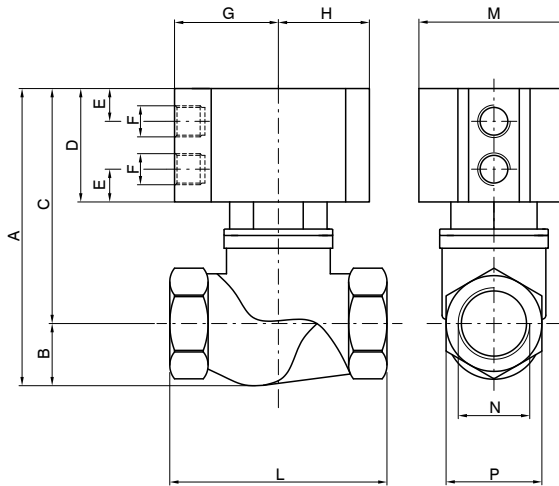
| | |
|----------------------------------|--|
| Rear eye, piston and rod bushing | Anodised aluminium |
| Cylinder | Aluminium alloy anodised |
| Spring | Zinc plated steel |
| Pneumatic cylinder seals | NBR (FPM for variants with seals in contact with fluid in FPM or PTFE) |
| Seals in contact with fluid | NBR, FPM, PTFE |
| Piston rod | Chromed stainless steel |
| Bushing, bushing pad, nut pad | Brass |

Technical characteristics

| | |
|--|--|
| Pneumatic cylinder fluid | Filtered air. No lubrication needed, if applied it shall be continuous |
| Valve fluid | Vacuum - air intake |
| Actuator - Maximum working pressure (bar) | 10 |
| Pad Valve - Maximum working pressure (-kPa) | 101,3 |
| Temperature °C, Non magnetic piston, NBR seals | -10 ... +70 |
| Non magnetic piston, FPM seals | -10 ... +150 |
| Non magnetic piston, PTFE seals | -10 ... +150 |
| Magnetic piston, NBR, FPM, PTFE seals | -10 ... +70 |

Series PVA

► “T” body version pad valve



| | |
|------------------------|-----------------|
| Ordering code | |
| PVA.B.A.P.T.C.M | |
| ACTING | |
| DE= | Double acting |
| SC= | Normally closed |
| SA= | Normally open |
| PISTON | |
| N= | Non magnetic |
| M= | Magnetic |
| CONNECTIONS | |
| A= | G1/4" |
| B= | G3/8" |
| C= | G1/2" |
| D= | G3/4" |
| E= | G1" |
| F= | G1 1/4" |
| G= | G1 1/2" |
| H= | G2" |
| SEALS | |
| N= | NBR |
| V= | FPM |
| F= | PTFE |

| Connection (N) | Table of dimensions | | | | | | | | | | | | | |
|----------------|---------------------|------|----|-----------------|------|----|------|-------|------|------|------|-----|----|----|
| | Non magnetic piston | | | Magnetic piston | | | | | | | | | | |
| | A | C | D | A | C | D | B | E | F | G | H | L | M | P |
| G1/4 | 93,5 | 77,5 | 41 | 97,5 | 81,5 | 45 | 16 | 10,25 | G1/8 | 32,5 | 28,5 | 64 | 47 | 25 |
| G3/8 | 93,5 | 77,5 | 41 | 97,5 | 81,5 | 45 | 16 | 10,25 | | 32,5 | 28,5 | 64 | 47 | 25 |
| G1/2 | 93,5 | 78 | 41 | 99,5 | 82 | 45 | 17,5 | 10,25 | | 32,5 | 28,5 | 68 | 47 | 30 |
| G3/4 | 105 | 83 | 41 | 113 | 90 | 48 | 22 | 11,25 | | 44 | 40 | 79 | 70 | 36 |
| G1 | 117 | 89 | 41 | 125 | 101 | 53 | 28 | 11,25 | | 44 | 40 | 94 | 70 | 44 |
| G1 1/4 | 131 | 103 | 48 | 136 | 108 | 53 | 28 | 11,25 | | 44 | 40 | 110 | 70 | 55 |
| G1 1/2 | 154 | 118 | 57 | 166 | 130 | 69 | 36 | 13,75 | | 56 | 49 | 120 | 90 | 60 |
| G2 | 169 | 124 | 57 | 181 | 136 | 69 | 45 | 13,75 | | 56 | 49 | 140 | 90 | 73 |

| Technical data | | |
|----------------|-------------|----------|
| Actuator (Ø) | Valvola (Ø) | Peso (g) |
| 40 | 13,5 | 350 |
| 40 | 13,5 | 350 |
| 40 | 15 | 400 |
| 63 | 20,5 | 850 |
| 63 | 25 | 1100 |
| 63 | 30 | 1400 |
| 80 | 38 | 2100 |
| 80 | 49,5 | 3000 |

2-way valves, for interception of fluids, pneumatically actuated by a compact double or single acting cylinder with 360° swivel connections, NBR, FPM or PTFE seals in contact with the fluid. The barrel profile allows the use of magnetic sensors PNEUMAX code "1500_", "RS_", "RS_", "HS_", for sensor slot type "A" (see section 3, magnetic sensors series "SA" of the Pneumax General Catalogue).

Pad valves Series PVV

The PVV series vacuum valves are one of the most functional and efficient solutions for vacuum control, specifically designed for applications where large suction capacities is required. Thanks to the vacuum breaker function they are particularly suitable for handling applications.



The valves are made for the 3 ways body in aluminum or bronze and at the top a double-acting compact cylinder for actuation.

Construction characteristics

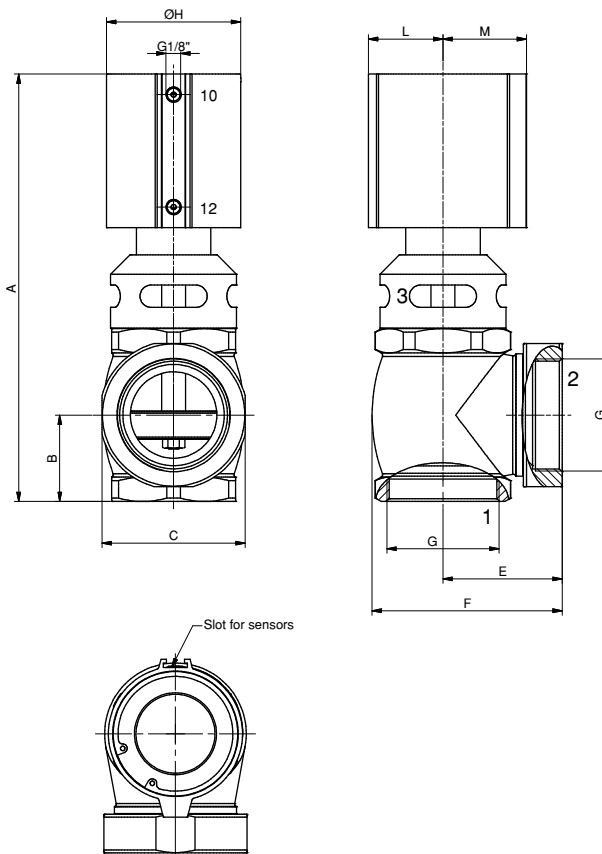
| | |
|------------------------------|--------------------------|
| Valve body | G2" - Anodised aluminium |
| Seals | NBR |
| Valve drain filter | Steel/Paper |
| Cylinder support | Anodised aluminium alloy |
| Cylinder | Anodised aluminium alloy |
| Cylinder seals | NBR |
| Cylinder piston rod material | C43 chromed |

Operational characteristics

| | | |
|---|--|-----------------------|
| Valve fluid | Vacuum | |
| Orifice size | ø DN see the table | |
| Temperature | -5°C ... +70°C | |
| Working pressure (-kPa) | 101,3 | |
| Cylinder fluid | Compressed air filtered and non lubricated, if lubricated must be continuous | |
| Cylinder bore | G2" = ø 63 mm | |
| Working pressure (bar) | G2-1/2" - G3" - G4" = ø 80 mm | |
| The liner profile of the cylinder allows use of magnetic sensors: | 2 ... 6 | |
| | 1500 | |
| | RS | |
| | HS | |
| | 1580 | With adapter 1580.01F |
| MRS | With adapter 1580.01F | |
| MHS | With adapter 1580.01F | |

Series PVV

Vacuum pad valve "L" body



| Ordering code | |
|---------------------------|---------------|
| PVV.M.DE.P.L.C.N.S | |
| M | BODY MATERIAL |
| A | Aluminium |
| B | Bronze |
| P | PISTON |
| N | Non magnetic |
| M | Magnetic |
| C | CONNECTION |
| H | G 2" |
| L | G 2"½ |
| M | G 3" |
| N | G 4" |
| S | EXHAUST |
| F | Silenced |
| L | Free |

Table of dimensions

| Size | A | B | C | DN | E | F | G | H | L | M |
|------|-----|------|-----|----|-----|-----|------|----|----|----|
| G2" | 175 | 52,5 | 93 | 42 | 72 | 119 | G2" | 70 | 40 | 44 |
| G2"½ | 290 | 58 | 96 | 50 | 80 | 128 | G2"½ | 90 | 50 | 56 |
| G3" | 335 | 68 | 96 | 50 | 87 | 142 | G3" | 90 | 50 | 56 |
| G4" | 365 | 83 | 135 | 66 | 102 | 170 | G4" | 90 | 50 | 56 |

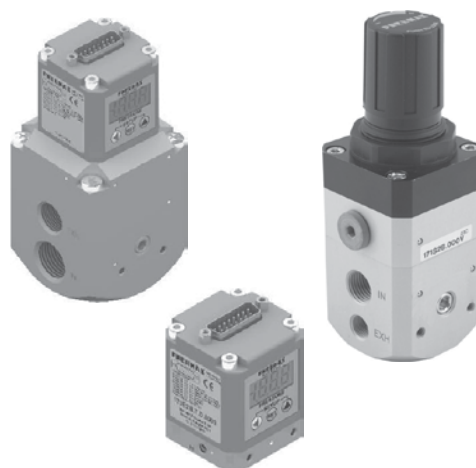
2-way valves to control fluids, pneumatic control with a compact double or single acting cylinder with connections that can turn 360°, seals in contact with fluid are made of NBR, FPM or PTFE. The liner profile allows use of PNEUMAX series 1500 magnetic sensors.

| Construction characteristics | |
|------------------------------|---|
| Body valve | G 2" - Anodised aluminium G 2"½ - G 3" - G 4" - Bronze |
| Spool support | Anodised aluminium |
| Shutter washers | Anodised aluminium |
| Seals | NBR |
| Filter | Steel/Paper |
| Cylinder support | Anodised aluminium |
| Body cylinder | Anodised aluminium |
| Rear end cap | Anodised aluminium |
| Piston | Anodised aluminium |
| Rod cylinder | C43 chromed |
| Cylinder connections | Orientable |
| Screws | Zinc plated steel |

| Operational characteristics | |
|-----------------------------|--|
| Valve fluid | Vacuum |
| Outlet diameter | Ø DN (see the table) |
| Exhaust diameter | Ø DS (see the table) |
| Temperature | -5°C ... +70°C |
| Fluid cylinder | Air filtered (if lubricated must be continuous) |
| Bore cylinder | G2 - Ø63 G2 ½ - G3 - G4 - Ø80 |
| Pressure cylinder | 2 ... 6 bar |
| Available sensors | "1500..." - "1580*" - "MRS*" - "MHS*..." (* with adapter code 1580.01F) |

REGULATORS

The Pneumax range of regulators include high precision manual regulators and electronic proportional pressure regulators air-vacuum or vacuum-vacuum versions, available in 3 sizes with flow rates of 7; 1.100 or 4.000 NI/min.





Index

Manual regulator

| | | |
|---|--------------------|------------|
|  | Series 1700 | 115 |
|---|--------------------|------------|

Proportional regulators

| | | |
|---|---|------------|
|  | Series 1900 Air-vacuum versions | 117 |
|---|---|------------|

| | | |
|---|---|------------|
|  | Series 1900 Vacuum-vacuum version | 122 |
|---|---|------------|

Manual regulator Series 1700

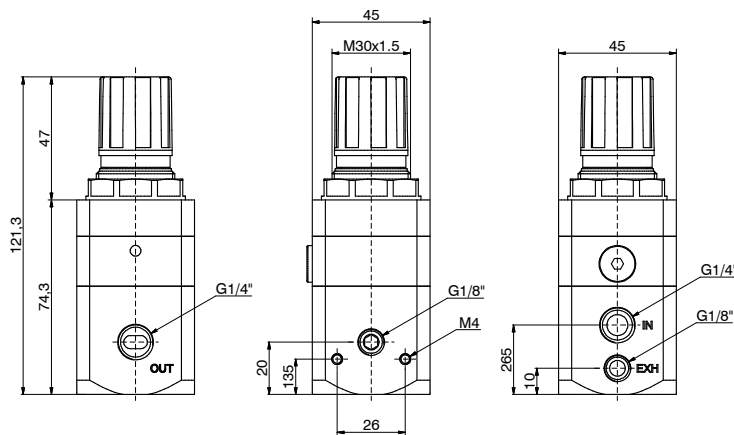
Vacuum degree regulation for applications requiring high stability and accuracy.



It has the function of regulating the negative vacuum pressure, keeping it stable at set value regardless of flow and variations in the degree of vacuum in the primary network. The units are of a double diaphragm construction and have been designed to exploit to their advantage any existing pressure differential between the

secondary depression and atmospheric pressure. The degree of vacuum is obtained by rotating the adjusting knob, rotating it clockwise to increase the amount of vacuum and anti clockwise to decrease it. They are used in all centralized systems where regardless of the vacuum in the main network a lower vacuum level is required for other applications.

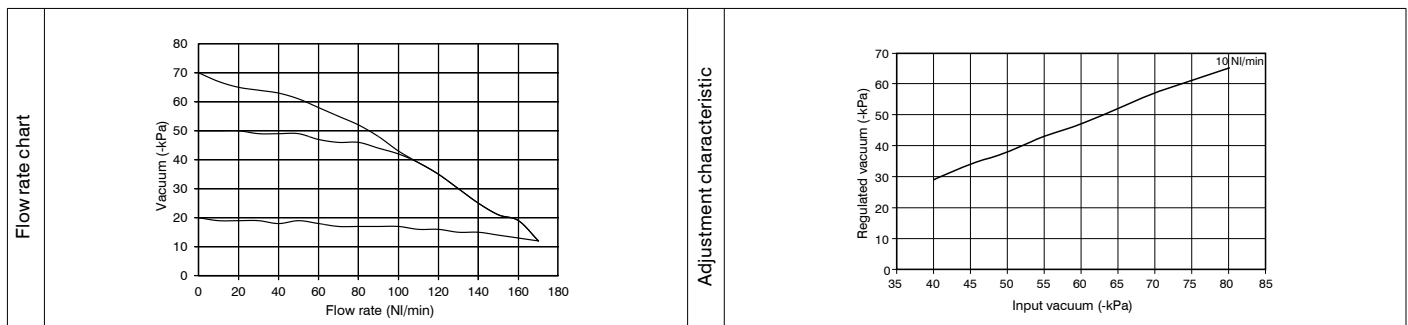
Regulator for vacuum



Ordering code

171S2B000V

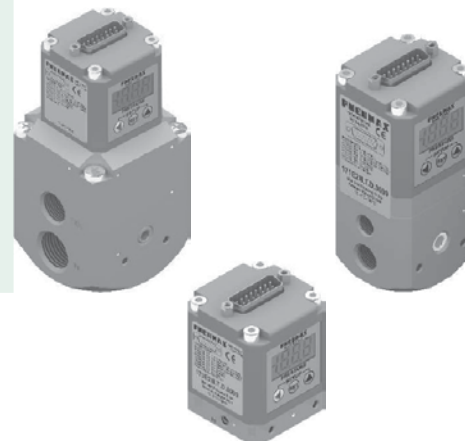
Example: 171S2B000V
Regulator for vacuum G1/4"



| Construction characteristics | | Technical characteristics | | | | | | | | | | | | | | | | | | | |
|---|--------------------|---|-------------|-------|------------------------------|-----|------------------------|------------|----------------------------|-------|------------|-----|-------------------|-------------|--------------------------|----|-------|--------------------|---|----|--|
| <ul style="list-style-type: none"> - Precision in keeping the set pressure value. - Sensitivity combined with high flow rate of the downstream overpressure discharge valve. - High flow rate with very low pressure drop. - Setting knob can be locked using pressure into the desired position. - Body made of light alloy. - Two attachments for vacuum gauge with a cap equipped with a gasket. - Ring nut for panel mounting. - Once the reducer has been placed under vacuum, air intake through the appropriate orifice. | | <table border="1"> <tr> <td>Connections</td> <td>G1/4"</td> </tr> <tr> <td>Max. working pressure (-kPa)</td> <td>101</td> </tr> <tr> <td>Working temperature °C</td> <td>-5 ... +50</td> </tr> <tr> <td>Pressure gauge connections</td> <td>G1/8"</td> </tr> <tr> <td>Weight (g)</td> <td>400</td> </tr> <tr> <td>Mounting position</td> <td>indifferent</td> </tr> <tr> <td>Max. fitting torque (Nm)</td> <td>25</td> </tr> <tr> <td>Fluid</td> <td>Filtered air 20 µm</td> </tr> <tr> <td>Diameter of panel mounting orifice (mm)</td> <td>30</td> </tr> </table> | Connections | G1/4" | Max. working pressure (-kPa) | 101 | Working temperature °C | -5 ... +50 | Pressure gauge connections | G1/8" | Weight (g) | 400 | Mounting position | indifferent | Max. fitting torque (Nm) | 25 | Fluid | Filtered air 20 µm | Diameter of panel mounting orifice (mm) | 30 | |
| Connections | G1/4" | | | | | | | | | | | | | | | | | | | | |
| Max. working pressure (-kPa) | 101 | | | | | | | | | | | | | | | | | | | | |
| Working temperature °C | -5 ... +50 | | | | | | | | | | | | | | | | | | | | |
| Pressure gauge connections | G1/8" | | | | | | | | | | | | | | | | | | | | |
| Weight (g) | 400 | | | | | | | | | | | | | | | | | | | | |
| Mounting position | indifferent | | | | | | | | | | | | | | | | | | | | |
| Max. fitting torque (Nm) | 25 | | | | | | | | | | | | | | | | | | | | |
| Fluid | Filtered air 20 µm | | | | | | | | | | | | | | | | | | | | |
| Diameter of panel mounting orifice (mm) | 30 | | | | | | | | | | | | | | | | | | | | |

Proportional regulators Series 1900

Electronic proportional pressure regulator with closed Loop.
Air-vacuum and vacuum-vacuum versions.



Modern industrial applications require increasingly high performances from their pneumatic components. For example, the speed and thrust of a pneumatic cylinder, or the torque of a rotary actuator may need to be varied. These parameters often need to be modified dynamically while an operation is running.

This solution can be obtained by employing a proportional pressure regulator Series 1700 available in 3 sizes with flow rates of 7; 1.100 or 4.000 Nl/min.

The model that manage the positive pressure that controls a vacuum generator and the negative pressure are then added to this range.

Application fields

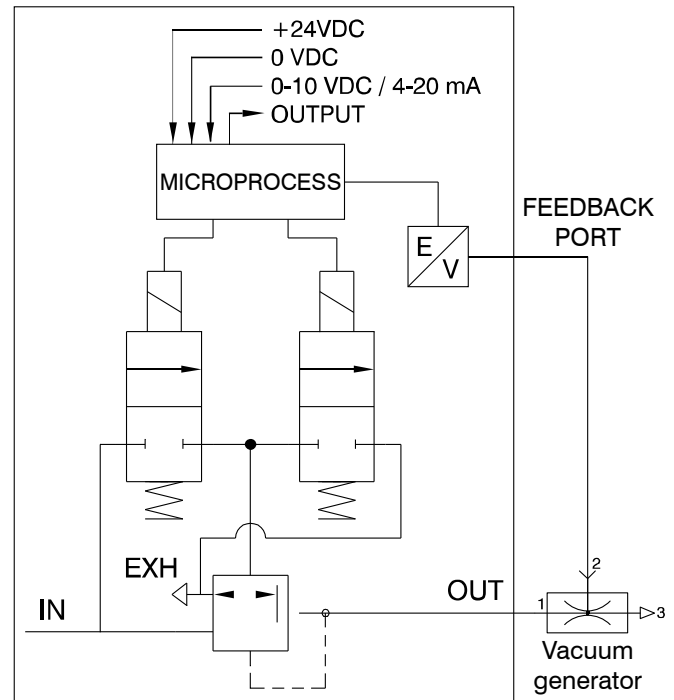
Typical applications will include the necessity to dynamically control the force of an actuator, be it thrust or torque or the degree of vacuum. Examples include: closing systems, painting systems, tensioning systems, packaging systems, pneumatic braking systems, force control for welding grippers, thickness compensation systems, balancing systems, laser cutting, pressure transducers for the control of modulating valves, test benches for system testing, force control for buffers on polishers, management of force exerted by suction cups in handling applications and management of the force exerted by the vacuum in the autoclaves.

Series 1900 air-vacuum version

Product description

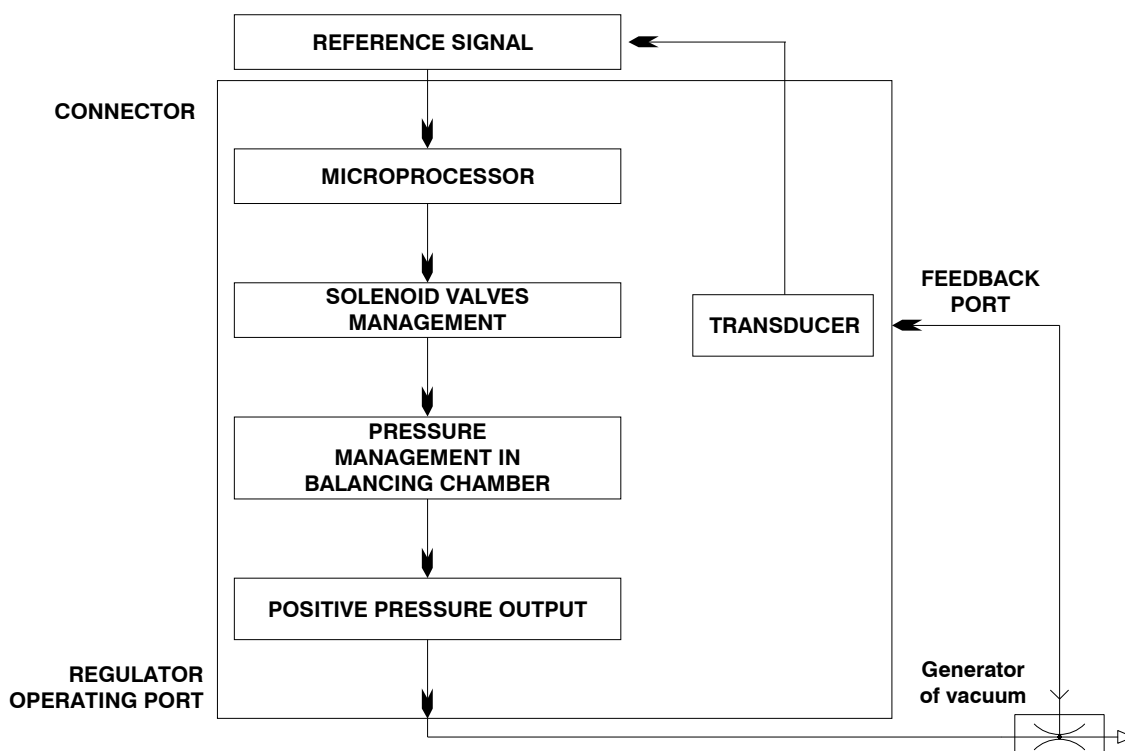
The pneumatic connections of the regulator require the aperture for supply and discharge to be on one side and the aperture for use on the opposite side. On the other two remaining sides there are apertures of G1/8" that are plugged up with removable plugs, however it is possible to connect a pressure gauge through them or use the connections as outputs. On the side where the service connection is, there is an M5 aperture where you can connect the return vacuum signal (to the pressure transducer). This option makes it possible to pick up the signal from a remote point rather than directly from the service connection. In the upper part of regulators there are control solenoid valves, the pressure sensor and the electronics for control. The part for electronically controlling the regulators is the same for all the 3 sizes. The new range of proportional regulators is supplied as standard with all the functionality initially considered only as optional; the only selections necessary in the ordering phase are thus related to the type of signal for control of voltage (T) or current (C) and the range of working pressures.

Functional diagram



CLOSED LOOP diagram (internal control circuit)

The proportional regulator is known as a CLOSED LOOP regulator because a pressure transducer in the circuit transmits a continuous analog signal to the microprocessor, which compares the reference value with the detected value and supplies the control solenoid valves accordingly.





CHARACTERISTICS

| Pneumatic | | | |
|--|---|--------------|--------------|
| Fluid | 5 micron filtered and dehumidified air | | |
| Input minimum pressure | As a function of the type of vacuum generator | | |
| Input max pressure | 10 bar | | |
| Output pressure | 0 ... 9 bar | | |
| Nominal flow rate from 1 to 2 (6 bar Δp 1 bar) | Size 0 | Size 1 | Size 3 |
| | 7 NI/min | 1.100 NI/min | 4.000 NI/min |
| Discharge flow rate (at 6 bar with overpressure of 1 bar) | 7 NI/min | 1.300 NI/min | 4.500 NI/min |
| Air consumption | < 1 NI/min | < 1 NI/min | < 1 NI/min |
| Supply connection | M5 | G1/4 | G1/2 |
| Service connection | M5 | G1/4 | G1/2 |
| Discharge connection | Ø1,8 | G1/8 | G3/8 |
| Maximum tightening torque for connections | 3 Nm | 15 Nm | 15 Nm |

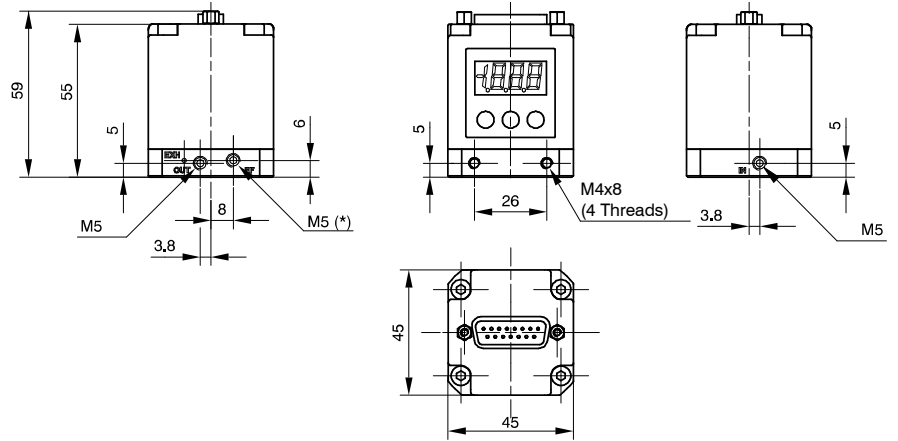
| Electric | |
|--|--|
| Supply voltage | 24 VDC \pm 10% (stabilized with ripple < 1%) |
| Current consumption in standby | 70 mA |
| Current consumption with actuated S.V. | 400 mA |
| **Reference signal | Voltage |
| | *0 ... 10 V *0 ... 5 V *1 ... 5 V |
| **Input impedance | Current |
| | *4 ... 20 mA *0 ... 20 mA |
| **Input impedance | Voltage |
| | Current |
| **Digital inputs | 24 VDC \pm 10% |
| **Digital output | 24 VDC PNP (max current 50 mA) |

| Functional | |
|---------------------|--------------------------------|
| Linearity | \pm Insensitivity |
| Hysteresis | \pm Insensitivity |
| Repeatability | \pm Insensitivity |
| Sensitivity | 0,01 bar |
| Assembly position | Indifferent |
| IP Rating | IP65 (with casing fitted) |
| Ambient temperature | -5°C ... 50°C / 23°F ... 122°F |

| Constructional | | | |
|---------------------------|---------------------------|--------|--------|
| Body | Anodised aluminum | | |
| Shutters | Brass with vulcanised NBR | | |
| Diaphragm | Cloth-covered rubber | | |
| Seals | NBR | | |
| Cover for electrical part | Technopolymer | | |
| Springs | AISI 302 | | |
| Weight | Size 0 | Size 1 | Size 3 |
| | 168 g | 360 g | 850 g |

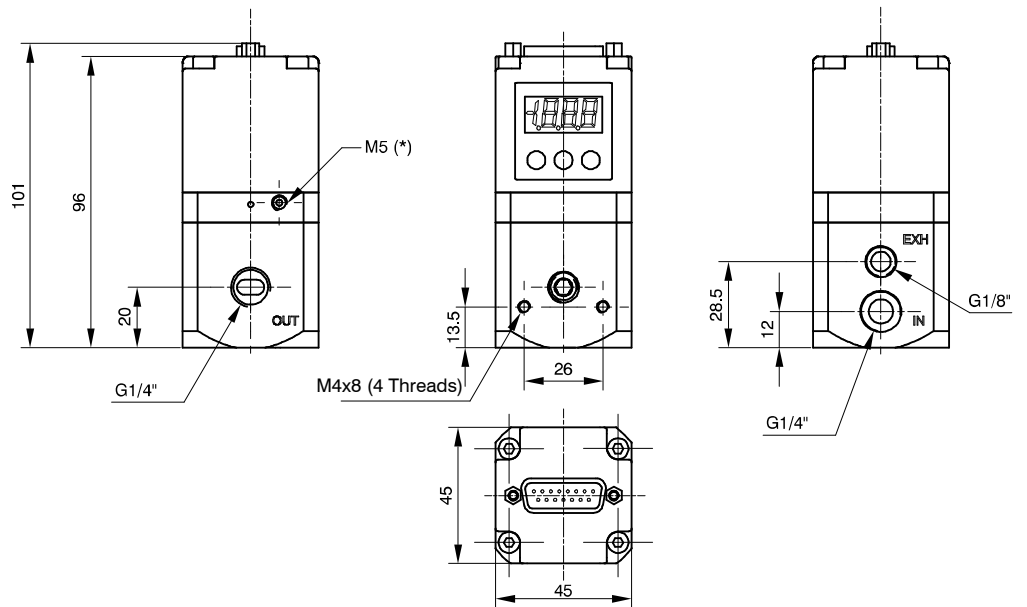
* Selectable by keyboard or by RS-232
 ** Valid only for devices with analog input

SIZE 0



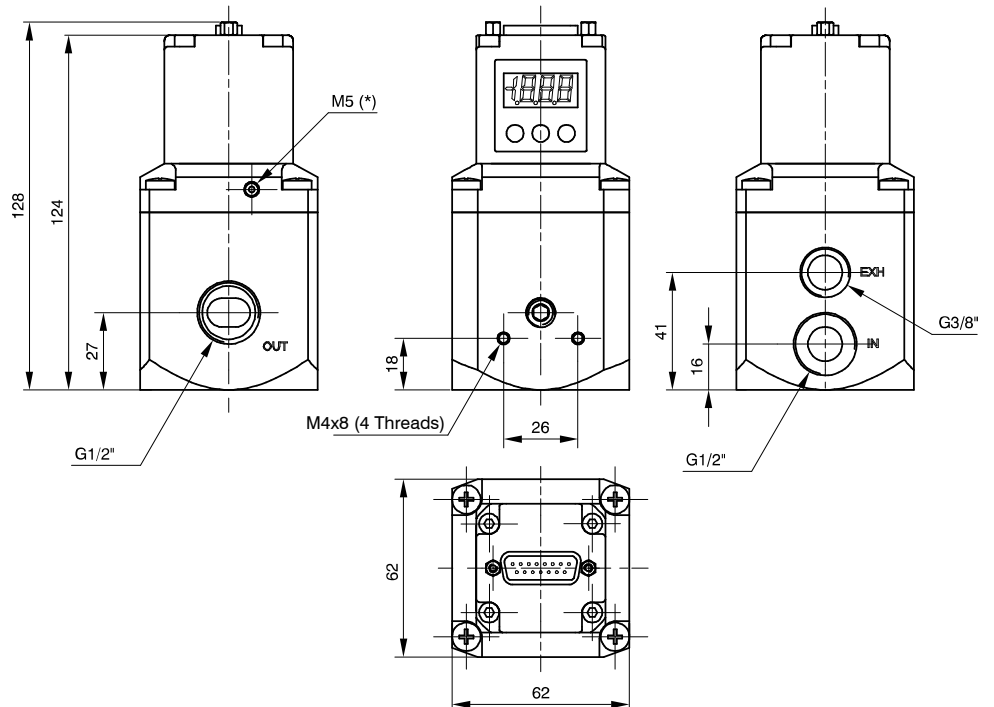
* EXTERNAL FEEDBACK INPUT CONNECTION

SIZE 1



* EXTERNAL FEEDBACK INPUT CONNECTION

SIZE 3

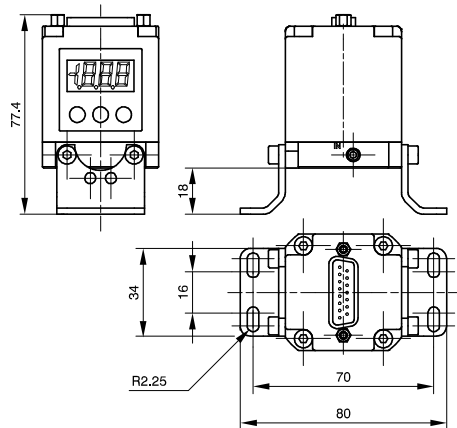


* EXTERNAL FEEDBACK INPUT CONNECTION

Mounting options

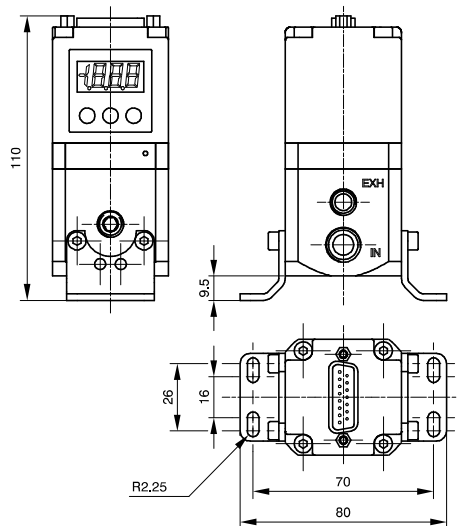
In addition to the possibility of fastening it directly to the wall using the M4 apertures present on the body, there is also the option of using the fastening bracket code 170M5 as can be seen in the figures shown below.

► **SIZE 0**



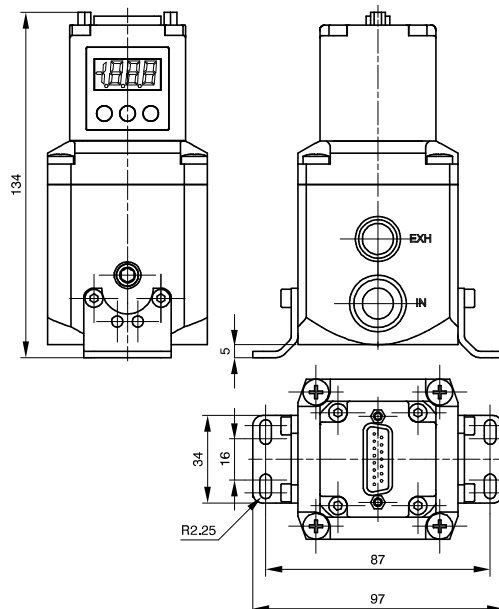
* EXTERNAL FEEDBACK INPUT CONNECTION

► **SIZE 1**



* EXTERNAL FEEDBACK INPUT CONNECTION

► **SIZE 3**



* EXTERNAL FEEDBACK INPUT CONNECTION



Installation/ Operation



PNEUMATIC CONNECTION

The compressed air is connected by means of M5 threaded holes (for size 0 regulators), G 1/4" threaded holes (for size 1 regulators) and G 1/2" threaded holes (for size 3 regulators) on the body.
Before making the connections, eliminate any impurities in the connecting pipes to prevent chippings or dust entering the unit.
Do not supply the circuit with more than 10 bar pressure and make sure that the compressed air is dried (excessive condensate could cause the appliance to malfunction) and filtered at 5 micron. The minimum supply pressure required depends on the characteristics of the vacuum generator.
If a silencer is applied to the discharge path the unit response time may change; periodically check that the silencer is not blocked and replace it if necessary.



ELECTRICAL CONNECTION

For the electrical connection a SUB-D 15-pole female is used.
Wire in accordance with the wiring diagram shown below.

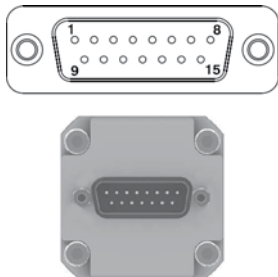
Warning: INCORRECT CONNECTIONS MAY DAMAGE THE DEVICE



NOTES ON OPERATION

If the electric supply is interrupted, the outlet pressure is maintained at the set value. However, maintaining the exact value cannot be ensured as it is impossible to operate the solenoid valves.
In order to discharge the circuit downstream, zero the reference, make sure that the display shows a pressure value equal to zero and then disconnect the electric power supply.
A version of the device is available that exhausts the downstream circuit when the power supply is removed. (Option "A" at the end of the ordering code). If the compressed-air supply is suspended and the electric power supply is maintained a whirring will be heard that is due to the solenoid valves; an operating parameter can be activated (P18) that triggers the regulator protection whenever the requested pressure is not reached within 4 seconds of the reference signal being sent. In this case the system will intervene to interrupt the control of the solenoid valves. Every twenty seconds, the unit will start the reset procedure until standard operating conditions have been restored.

TOP VIEW OF THE REGULATOR CONNECTOR



| CONNECTOR PIN: | |
|----------------|--------------------------------|
| 1 | DIGITAL INPUT 1 |
| 2 | DIGITAL INPUT 2 |
| 3 | DIGITAL INPUT 3 |
| 4 | DIGITAL INPUT 4 |
| 5 | DIGITAL INPUT 5 |
| 6 | DIGITAL INPUT 6 |
| 7 | DIGITAL INPUT 7 |
| 8 | ANALOG INPUT / DIGITAL INPUT 8 |
| 9 | SUPPLY (24 VDC) |
| 10 | DIGITAL OUTPUT (24 VDC PNP) |
| 11 | ANALOG OUTPUT (CURRENT) |
| 12 | ANALOG OUTPUT (VOLTAGE) |
| 13 | Rx RS-232 |
| 14 | Tx RS-232 |
| 15 | GND |

Ordering codes



19 E2P D.0090.

SIZE
0 = Size 0
1 = Size 1
3 = Size 3

VARIANT
E = External pressure feedback without exhaust downstream pressure when power supply is removed
AE = External pressure feedback with exhaust downstream pressure when power supply is removed

MANAGEMENT
C = Current signal (4-20 mA / 0-20 mA)
T = Voltage signal (0-10 V / 0-5 V / 1-5 V)



| Model with SUB-D 15 poles connector | | |
|-------------------------------------|----------------|-------------------------------------|
| | 5300.F15.00.00 | Straight connector + Casing IP65 * |
| | 5300.F15.00.03 | Straight connector + Cable 3 meters |
| | 5300.F15.00.05 | Straight connector + Cable 5 meters |
| | 5300.F15.90.00 | Connector 90° + Casing IP65 * |
| | 5300.F15.90.03 | Connector 90° + Cable 3 meters |
| | 5300.F15.90.05 | Connector 90° + Cable 5 meters |

* Without cable

PRESSURE RANGE
0090 = from 0 to 90%

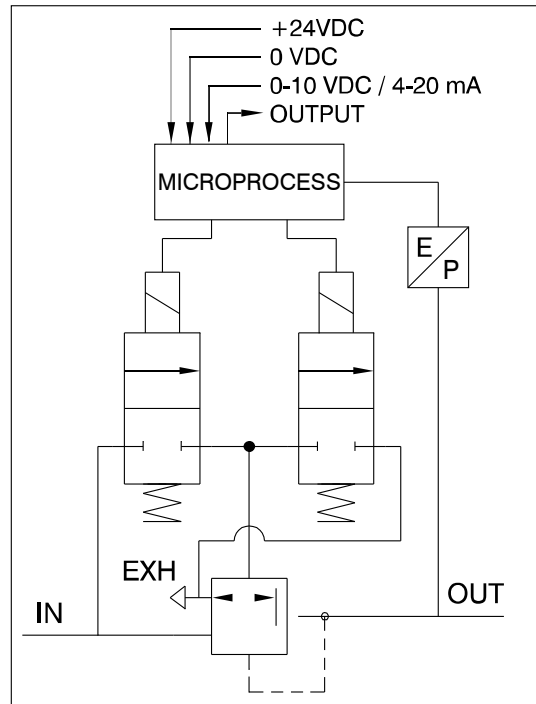
REGULATORS

Series 1900 vacuum-vacuum version

Product description

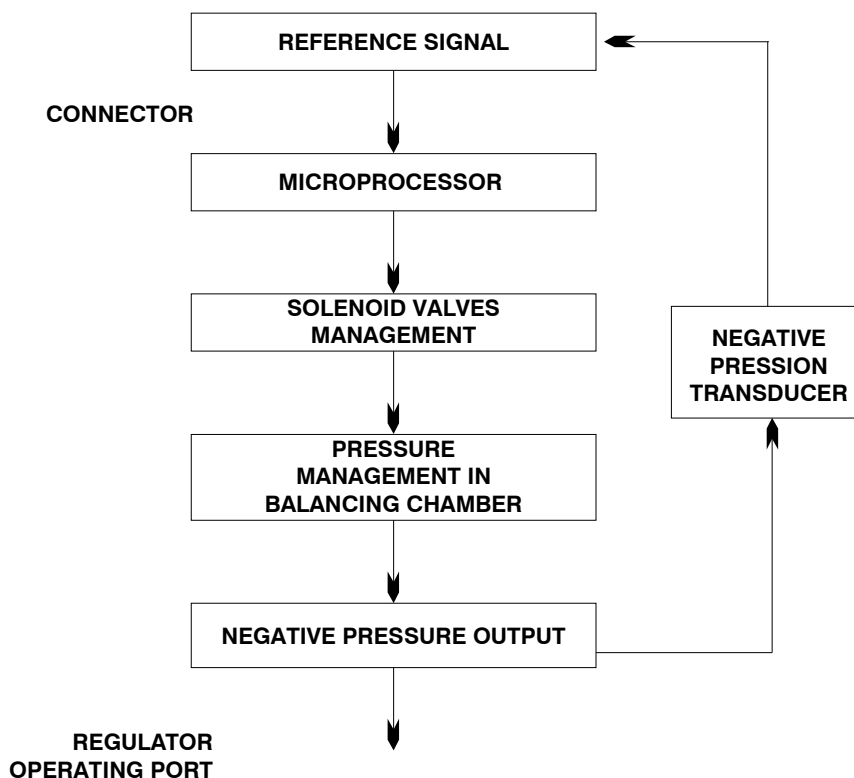
The connections of the regulator require the aperture for supply and discharge to be on one side and the aperture for use on the opposite side. On the other two remaining sides there are apertures of G1/8" that are plugged with removable plugs, however it is possible to connect a vacuum gauge or vacuum sampling for an additional remote vacuum switch. The control solenoid valves, the negative pressure sensor and the management electronics are located in the upper part of the regulator. The regulator is available in only one size, 1, with flow rate 170 l/min and the possibility to select commands: Voltage (T) Current (C).

Functional diagram



CLOSED LOOP diagram (internal control circuit)

The proportional regulator is known as a CLOSED LOOP regulator because a pressure transducer in the circuit transmits a continuous analog signal to the microprocessor, which compares the reference value with the detected value and supplies the control solenoid valves accordingly.





CHARACTERISTICS

| Pneumatic | |
|---|---|
| Fluid | 5 micron filtered, without oil and dehumidified air |
| Input minimum pressure | -10 kPa |
| Input max pressure | -101 kPa |
| Adjustment range | -10 ... -90 kPa |
| Flow rate | 170 l/min |
| Air consumption | < 1 NI/min |
| Supply connection | G 1/4 |
| Service connection | G 1/4 |
| Discharge connection | G 1/8 |
| Maximum tightening torque for connections | 15 Nm |

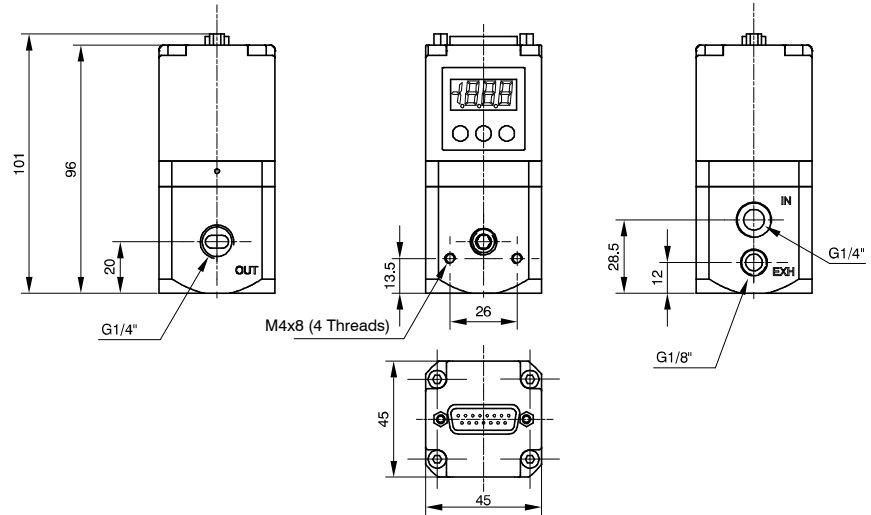
| Electric | | |
|--|--|---|
| Supply voltage | 24 VDC \pm 10% (stabilized with ripple < 1%) | |
| Current consumption in standby | 70 mA | |
| Current consumption with actuated S.V. | 400 mA | |
| **Reference Signal | Voltage | *0 ... 10 V *0 ... 5 V *1 ... 5 V |
| | Current | *4 ... 20 mA *0 ... 20 mA |
| **Input impedance | Voltage | 10 k Ω |
| | Current | 250 Ω |
| **Digital inputs | 24 VDC \pm 10% | |
| **Digital output | 24 VDC PNP (max current 50 mA) | |

| Functional | |
|---------------------|--------------------------------|
| Linearity | -3 kPa |
| Hysteresis | -3 kPa |
| Repeatability | -3 kPa |
| Sensitivity | -1 kPa |
| Assembly position | Indifferent |
| IP Rating | IP65 (with casing fitted) |
| Ambient temperature | -5°C ... 50°C / 23°F ... 122°F |

| Constructional | |
|---------------------------|---------------------------|
| Body | Anodised aluminum |
| Shutters | Brass with vulcanised NBR |
| Diaphragm | Cloth-covered rubber |
| Seals | NBR |
| Cover for electrical part | Technopolymer |
| Springs | AISI 302 |
| Weight | Size 1 |
| | 360 g |

* Selectable by keyboard or by RS-232
** Valid only for devices with analog input

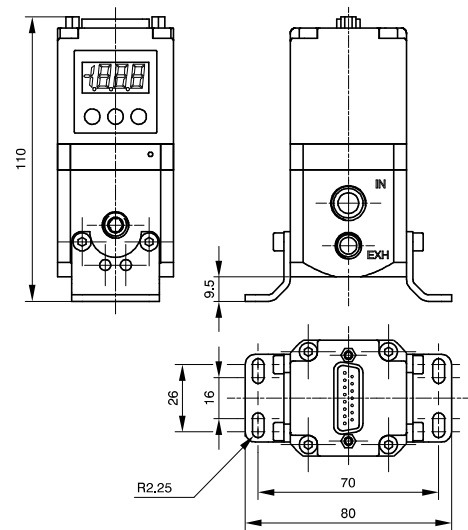
► SIZE 1



Mounting options

In addition to the possibility of fastening it directly to the wall using the M4 apertures present on the body, there is also the option of using the fastening bracket code 170M5 as can be seen in the figures shown below.

► SIZE 1





Installation/ Operation



PNEUMATIC CONNECTION

G 1/4 threaded holes provide for the pneumatic connection in the body of the vacuum generator.
Before connecting the pipes, remove any debris, in order to prevent chippings or dust from entering the unit.
It is recommended to properly check that the suction air is filtered to 5 microns.
The negative minimum supply pressure required depends on the features of the vacuum generator.
If a silencer is connected to the discharge port, the response time of the unit may vary; it is recommended to periodically check that the silencer is not clogged or to replace it, if necessary.



ELECTRICAL CONNECTION

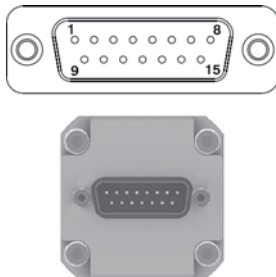
For the electrical connection a SUB-D 15-pole female is used.
Wire in accordance with the wiring diagram shown below.
Warning: INCORRECT CONNECTIONS MAY DAMAGE THE DEVICE



NOTES ON OPERATION

If the electricity supply is cut off, the output pressure will be kept at the set value. However, maintenance of this exact value is not guaranteed given the fact that the solenoid valve cannot be actuated.
To discharge the circuit downstream, clear the reference, make sure the display shows a pressure value equal to zero (-0.10 kPa Max), and then cut off the electrical power supply.
If the air supply is stopped and the power supply is maintained, you may hear a humming noise being generated due to the solenoids; it is possible to activate an operating parameter (P18) that allows the regulator to be protected any time the pressure is not reached within 4 seconds after the moment the reference signal is sent. In this case, the system will intervene by interrupting control of the solenoid valves. Every 20 seconds the unit will start the restoration procedure until standard operating conditions are reintegrated.

TOP VIEW OF THE REGULATOR CONNECTOR



| CONNECTOR PIN: | |
|----------------|--------------------------------|
| 1 | DIGITAL INPUT 1 |
| 2 | DIGITAL INPUT 2 |
| 3 | DIGITAL INPUT 3 |
| 4 | DIGITAL INPUT 4 |
| 5 | DIGITAL INPUT 5 |
| 6 | DIGITAL INPUT 6 |
| 7 | DIGITAL INPUT 7 |
| 8 | ANALOG INPUT / DIGITAL INPUT 8 |
| 9 | SUPPLY (24 VDC) |
| 10 | DIGITAL OUTPUT (24 VDC PNP) |
| 11 | ANALOG OUTPUT (CURRENT) |
| 12 | ANALOG OUTPUT (VOLTAGE) |
| 13 | Rx RS-232 |
| 14 | Tx RS-232 |
| 15 | GND |

Ordering codes



191E2N. .D.0000.V

MANAGEMENT

- C = Current signal (4-20 mA / 0-20 mA)
- T = Voltage signal (0-10 V / 0-5 V / 1-5 V)

PRESSURE RANGE

0000 = from 10 to 90 -kPa



| Model with SUB-D 15 poles connector | | |
|-------------------------------------|----------------|-------------------------------------|
| | 5300.F15.00.00 | Straight connector + Casing IP65 * |
| | 5300.F15.00.03 | Straight connector + Cable 3 meters |
| | 5300.F15.00.05 | Straight connector + Cable 5 meters |
| | 5300.F15.90.00 | Connector 90° + Casing IP65 * |
| | 5300.F15.90.03 | Connector 90° + Cable 3 meters |
| | 5300.F15.90.05 | Connector 90° + Cable 5 meters |

* Without cable

REGULATORS

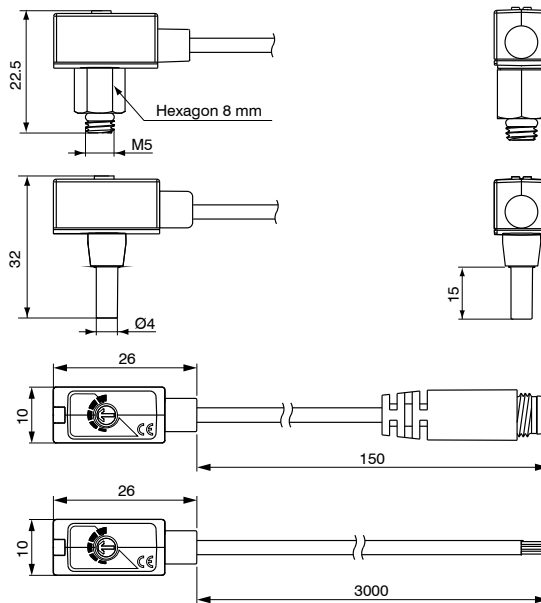
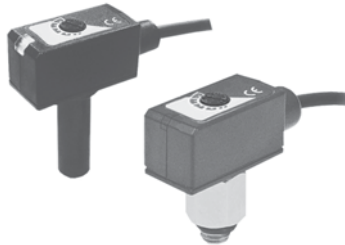
ACCESSORIES AND INSTRUMENTS

Vacuum switch, vacuum gauge, silencers and filters



Series DS

Mini digital vacuum switch



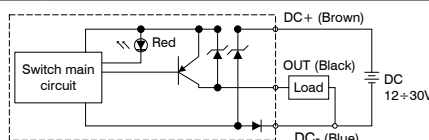
| Ordering code | |
|-----------------------|---------------------------------|
| DS.10.V.B.●●●● | |
| CONNECTION | |
| ● | F4= Male M5 |
| ● | R4= Plug-in connection Ø4 |
| CABLE LENGTH | |
| ● | A= 150 mm * |
| ● | E= 3000 mm ** |
| OPTIONS | |
| ○ | 0= Without connector |
| ● | 1= With connector M8 male 3 Pin |

* only with M8 connector
** only without connector

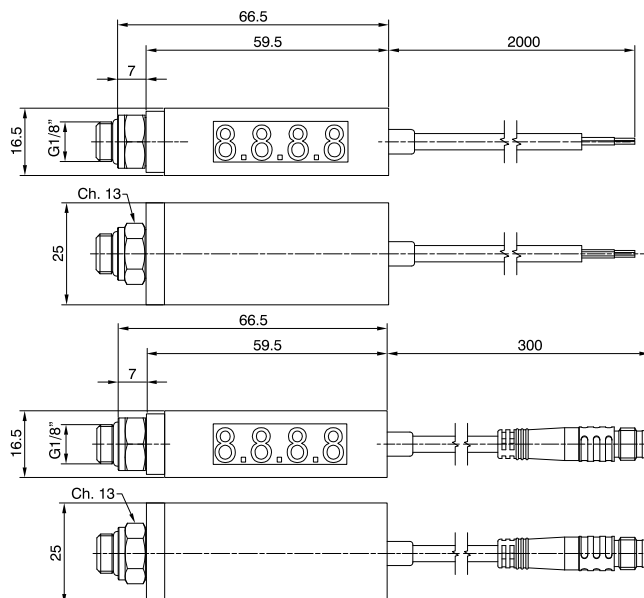
Technical features

| | |
|---|---|
| Working pressure range | 0 ... -100.0kPa |
| Regulation pressure range | 0 ... -100.0kPa |
| Maximum supported pressure | 600 kPa |
| Allowed fluids | Air, non-corrosive gases, non-combustible gases |
| Supply voltage | From 12 to 30 VDC ±10% |
| Current consumption | ≤ 10 mA |
| Digital output | PNP N.O. 1 outputs Maximum load current: 80 mA Maximum supply voltage: 30 VDC Voltage drop: ≤0.8V |
| Repeatability (Digital output) | ± 1% Full Scale |
| Digital output | Type of hysteresis: Fixed |
| | Hysteresis: 3% Full Scale max. |
| Response time | 1ms |
| Protection from short circuit at output | Present |
| Method of setting threshold | Adjustable, trimmer |
| Indicator | LED red (output) |
| Ingress protection rating | IP Rating: IP40 |
| | Ambient temperature: Operational: 0°C ... 60°C, Storage: -20°C ... 70°C (without ice or condensation) |
| | Ambient humidity: Operational/Storage: 35 ... 85% (without condensation) |
| | Vibration: Total amplitude 1.5 mm, 10 Hz - 55 Hz - 10 Hz scanning for 1 minute, 2 hours in each direction of X, Y and Z |
| Impacts/shocks: 980m/s ² (100G), 3 times in each direction of X, Y and Z | |
| Temperature characteristics | ±2% Full Scale in a range between 0°C ... 50°C |
| Type of connection | Male M5x0.8, Plug-in connection Ø4 |
| Electrical cable | Oilproof cable, 3 wires (0.18mm ²), Ø2.6 mm |
| Weight | Approximately 50 g (with 3 metres of cable) |

Output circuit wiring scheme



Digital vacuum switch

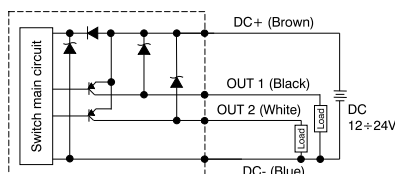


| | |
|-------------------------|------------------------------|
| Ordering code | |
| DS.30.C.C.F8.①.② | |
| CABLE LENGTH | |
| ① | B=300 mm * |
| ② | D=2000 mm ** |
| OPTIONS | |
| 0= | Without connector |
| 2= | With M8 4 Pin male connector |

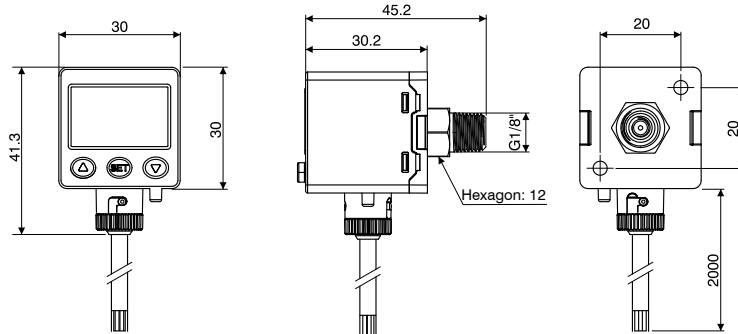
* only with M8 connector
** only without connector

| Technical features | | |
|---|---|--|
| Working pressure range | -100.0 ... 100.0 kPa | |
| Regulation pressure range | -100.0 ... 100.0 kPa | |
| Maximum supported pressure | 300 kPa | |
| Allowed fluids | Air, non-corrosive gases, non-combustible gases | |
| Pressure calibration sensitivity | kPa | 0.1 |
| | 2 kgf/cm ² | 0.001 |
| | bar | 0.001 |
| | psi | 0.01 |
| | InHg | 0.1 |
| | mmHg | 1 |
| mmH ₂ O | 0.1 | |
| Supply voltage | From 12 to 24 VDC ± 10% | |
| Current consumption | ≤ 60mA | |
| Digital output | PNP N.O. 2 outputs Maximum load current: 80 mA Maximum supply voltage: 30 VDC Voltage drop: ≤ 1V | |
| Repeatability (Digital output) | ± 0.2% Full Scale ± 1 digit | |
| Digital output | Type of hysteresis | Fixed |
| | Hysteresis | 0.003 bar |
| Response time | ≤ 2,5 ms (anti-interference function: 24 ms, 192 ms and 768 ms selectable) | |
| Protection from short circuit at output | Present | |
| Display | Display with 3 1/2 digits (sampling 5 times per sec.) | |
| Indicator precision | ± 2% F. S. ± 1 digit (at ambient temperature of 25°C ± 3°C) | |
| Indicator | LED green (output1) LED red (output2) | |
| Ingress protection rating | IP Rating | IP40 |
| | Ambient temperature | Operational: 0 ... 50°C, Storage: -20°C ... 60°C (without ice or condensation) |
| | Ambient humidity | Operational/Storage: 35 ... 85% (without condensation) |
| | Supported voltage | 1000 VAC in 1-min. (between body and cable) |
| | Insulation resistance | 50MΩ min. (at 500VDC, between body and cable) |
| | Vibration | Total amplitude 1.5 mm. or 10 G, 10 Hz - 55Hz - 10 Hz scanning for 1 minute, 2 hours in each direction of X, Y and Z |
| Impacts/shocks | 980 m/s ² (100G), 3 times in each direction of X, Y and Z | |
| Temperature characteristics | ± 2% Full Scale in a range between 0°C ... 50°C | |
| Type of connection | G1/8 (Swivel) | |
| Electrical cable | Oil resistant cable | |
| Weight | Approximately 67 g (with 2 metres of cable) | |

Output circuit wiring scheme



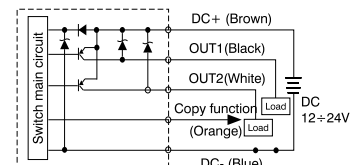
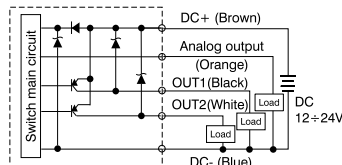
Panel-mounted digital vacuum switch



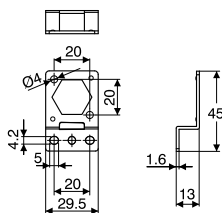
| Ordering code | |
|-------------------------|---|
| DS.45.V.U.F3.D.0 | |
| VERSION | |
| V | C= Vacuum/Pressure (-100 / 100 kPa) |
| | V= Vacuum (0 / -101,3 kPa) |
| OUTPUTS | |
| E | = 2 PNP outputs + Analog output (4 / 20 mA) |
| L | = 2 PNP outputs + copy function |

| Technical features | | DS.45.C.U.F3.D.0 (Composite) | DS.45.V.U.F3.D.0 (Vacuum) |
|---|-----------------------|---|---------------------------|
| Working pressure range | | -100.0 ... 100.0 kPa | 0 ... -100.0 kPa |
| Regulation pressure range | | -100.0 ... 100.0 kPa | 0 ... -100.0 kPa |
| Maximum supported pressure | | 300 kPa | |
| Allowed fluids | | Air, non-corrosive gases, non-combustible gases | |
| Pressure calibration sensitivity | kPa | 0.1 | |
| | 2 kgf/cm ² | 0.001 | |
| | bar | 0.001 | |
| | psi | 0.01 | |
| | InHg | 0.1 | |
| Supply voltage | | From 12 to 24 VDC | |
| Current consumption | | ≤40 mA (without load) | |
| Digital output | | PNP N.O. 2 outputs Maximum load current: 125 mA Maximum supply voltage: 24 VDC Voltage drop: ≤1.5V | |
| Repeatability (Digital output) | | ± 0.2% Full Scale ± 1 digit | |
| Digital output | Type of hysteresis | Settable | |
| | Hysteresis | from 0.001 to 0.008 bar | |
| Response time | | ≤2,5 ms (anti-interference function: 25 ms, 100 ms, 250 ms, 500 ms, 1000 ms and 1500 ms selectable) | |
| Protection from short circuit at output | | Present | |
| Display | | Display with 3 1/2 digits (red/green) | |
| Indicator precision | | ±2% F. S. ±1 digit | |
| Indicator | | LED orange (output1) LED orange (output2) | |
| Analog output | | Output current: 4 ... 20 mA ±2.5% F. S. Linearity: ±1% F. S. Maximum load resistance: 250Ω supply at 12 V and 600Ω supply at 24 V Minimum load resistance: 50Ω | |
| Ingress protection rating | IP Rating | IP65 | |
| | Ambient temperature | Operational: 0°C ... 50°C, Storage: -10°C ... 60°C (without ice or condensation) | |
| | Ambient humidity | Operation/Storage: 35 ... 85% (without condensation) | |
| | Supported voltage | 1000 VAC in 1min. (between body and cable) | |
| | Insulation resistance | 50MΩ (at 500 VDC, between body and cable) | |
| | Vibration | Total amplitude 1.5 mm or 10 G, 10 Hz - 55 Hz - 10 Hz scanning for 1 minute, 2 hours in each direction of X, Y and Z | |
| Temperature characteristics | | ±2.5% Full Scale in a range between 0°C ... 50°C | |
| Type of connection | | G1/8 (BSPP), M5 female | |
| Electrical cable | | Oil resistant cable (internal 0.15 mm ²) | |
| Weight | | Approximately 86 g (with 2 metres of cable) | |

Output circuit wiring scheme

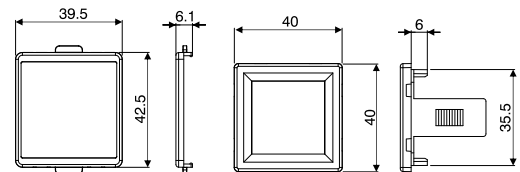


Fastening bracket



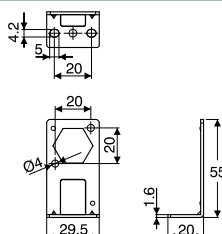
Ordering code
DS.BT10

Panel mount adapter



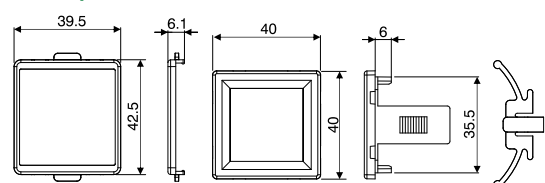
Ordering code
DS.PAE

Fastening bracket



Ordering code
DS.BT11

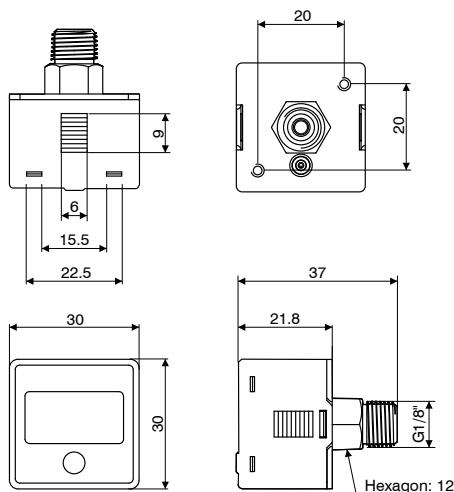
Panel mount adapter with screen protection



Ordering code
DS.PAF



Digital battery vacuum gauge



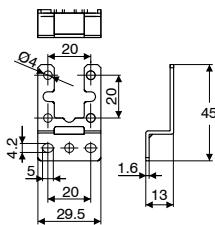
Ordering code
DS.60.V.I.F1.F.0

| Caratteristiche tecniche | | |
|----------------------------------|---|--|
| Working pressure range | 0 ... -100.0 kPa | |
| Regulation pressure range | 0 ... -100.0 kPa | |
| Maximum supported pressure | 300 kPa | |
| Allowed fluids | Air, non-corrosive gases, non-combustible gases | |
| Pressure calibration sensitivity | kPa | 0.1 |
| | bar | 0.01 |
| | psi | 0.1 |
| | mmHg | 1 |
| Battery | CR 2032 lithium | |
| Backlight | Not present | |
| Battery life | 3 years (5 powerups a day) | |
| Indication of battery level | Present | |
| Battery replaceable | Yes | |
| Display powerup time | Goes off after 60 seconds | |
| Sampling frequency | 2 Hz (2 times per second) | |
| Repeatability | ±1% F. S. ±1 digit | |
| Display | Display with 3 1/2 digits | |
| Indicator precision | ±2% F.S. ±1 digit (at ambient temperature of 25°C ±3°C) | |
| Ingress protection rating | IP Rating | IP65 (only with connected air tube) |
| | Ambient temperature | Operational: 0°C ... 50°C, Storage: -10°C ... 60°C (without ice or condensation) |
| | Ambient humidity | Operational/Storage 35 ... 85% (without condensation) |
| | Vibration | Total amplitude 1.5 mm or 10 G, 10 Hz - 55 Hz - 10 Hz scanning for 1 minute, 2 hours in each direction of X, Y and Z |
| Impacts/shocks | 100 m/s ² (10G), 3 times in each direction of X, Y and Z | |
| Temperature characteristics | ±2% Full Scale in a range between 0°C ... 50°C | |
| Type of connection | R1/8, M5 female | |
| Weight | Approximately 40 g | |

Fastening bracket



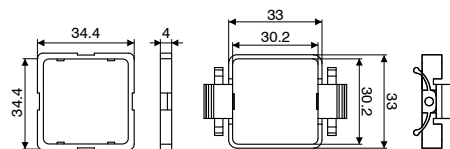
Ordering code
DS.BT5



Panel mount adapter



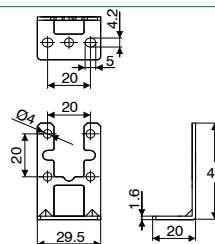
Ordering code
DS.PAC



Fastening bracket



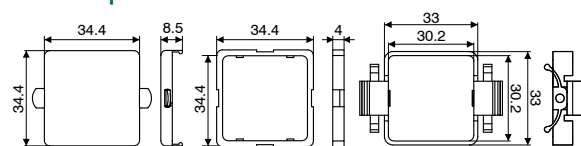
Ordering code
DS.BT6



Panel mount adapter with screen protection

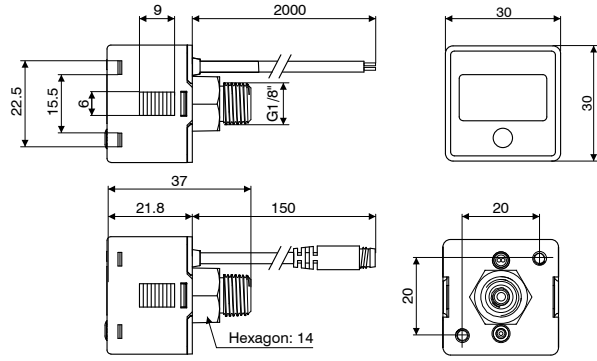


Ordering code
DS.PAD



ACCESSORIES

Digital vacuum gauge

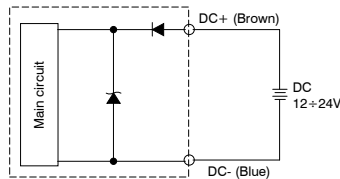


| | |
|-------------------------|------------------------------|
| Ordering code | |
| DS.61.V.I.F1.0.0 | |
| CABLE LENGTH | |
| 0 | A=150 mm * |
| 1 | D=2000 mm ** |
| OPTIONS | |
| 0 | Without connector |
| 2 | With M8 4 Pin male connector |

* only with M8 connector
** only without connector

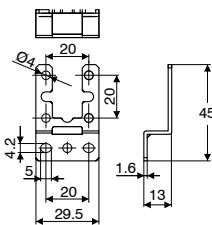
| Technical features | |
|----------------------------------|---|
| Working pressure range | 0 ... -100.0 kPa |
| Regulation pressure range | 0 ... -100.0 kPa |
| Maximum supported pressure | 300 kPa |
| Allowed fluids | Air, non-corrosive gases, non-combustible gases |
| Pressure calibration sensitivity | kPa |
| | 2 kgf/cm ² |
| | bar |
| | psi |
| Supply voltage | From 12 to 24 VDC ± 10% |
| Current consumption | 10 mA |
| Repeatability | ± 1% Full Scale ± 1 digit |
| Display | Display with 3 1/2 digits (sampling 5 times per sec.) |
| Indicator precision | ± 2% F. S. ± 1 digit (at ambient temperature of 25°C ± 3°C) |
| Ingress protection rating | IP Rating |
| | Ambient temperature |
| | Ambient humidity |
| | Supported voltage |
| | Insulation resistance |
| | Vibration |
| Impacts/shocks | |
| Temperature characteristics | Operational: 0°C ... 50°C, Storage: -10°C ... 60°C (without ice or condensation) |
| Type of connection | Operation/Storage: 35 ... 85% (without condensation) |
| Electrical cable | 1000 VAC in 1 min. (between body and cable) |
| Weight | 50MΩ (at 500 VDC, between body and cable) |
| | Total amplitude 1.5 mm or 10G, 10 Hz - 55 Hz - 10 Hz scanning for 1 minute, 2 hours in each direction of X, Y and Z |
| | 100 m/s ² (10G), 3 times in each direction of X, Y and Z |
| | ± 2% Full Scale in a range between 0°C ... 50°C |
| | R1/8, M5 female |
| | Oil resistant cable (internal 0.15 mm ²) |
| | Approximately 60 g (with 2 metres of cable) and approximately 40 g (with M8 4 pin male connector) |

Output circuit wiring scheme



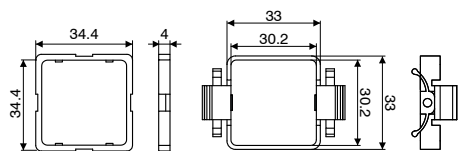
ACCESSORIES

Fastening bracket



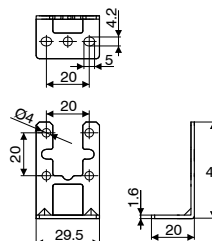
Ordering code
DS.BT5

Panel mount adapter



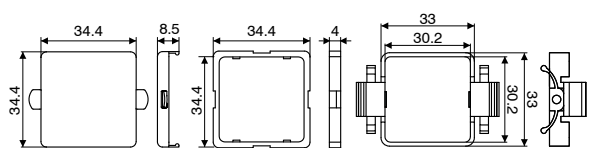
Ordering code
DS.PAC

Fastening bracket



Ordering code
DS.BT6

Panel mount adapter with screen protection



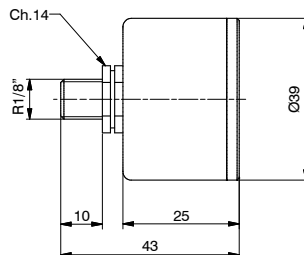
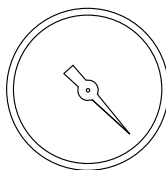
Ordering code
DS.PAD



Series 1900

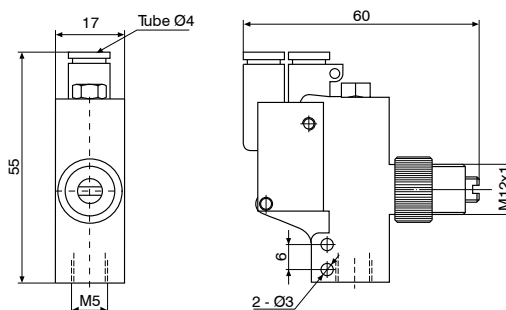
Vacuum Gauge

Ordering code
17070A.V



| Technical features | |
|--------------------|---------------------------|
| Fluid | Unlubricated filtered air |
| Scale (-kPa) | 0 ... 100 |
| Temperature (°C) | -10 ... 80 |
| Weight (g) | 56 |

Pneumatic vacuum switch

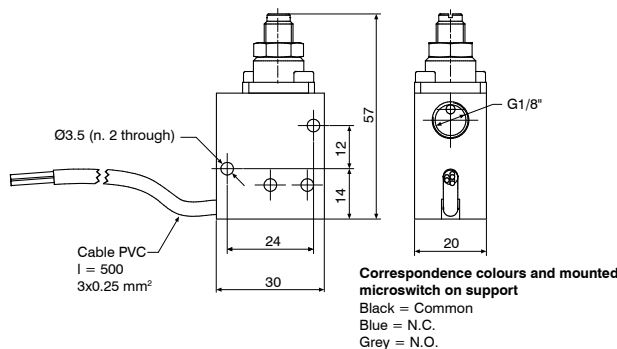


Vacuum switch whose function is, depending on the model, to turn a pneumatic signal on or off when a certain vacuum level is reached. The pressure differential that exists between the maximum value set and the restoration value cannot be adjusted. Especially recommended for the control of vacuum generators with a view to save energy.

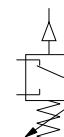
| Code | 19TR4.C | 19TR4.A |
|---------------------------------------|------------------------|----------------------|
| Type of contact | N.C. (Normally closed) | N.O. (Normally open) |
| Pressure (bar) | 1.5 ~ 8 | |
| Actuation threshold can be set (-kPa) | 15 ~ 95 | 10 ~ 95 |
| Hysteresis (kPa) | 12 | 3 |
| Temperature (°C) | -10 ~ +60°C | |
| Weight (g) | 44 | |
| Connections for vacuum | M5 | |

| Function | Settable |
|------------------------|----------|
| N.C. (Normally closed) | |
| N.O. (Normally open) | |

Electromechanical vacuum switch



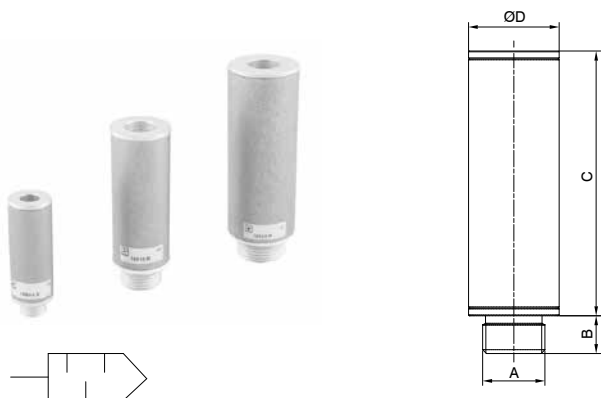
Ordering code
19VCE.0.C1



Vacuum switch whose function is to turn an electrical signal on or off when a certain vacuum level is reached. The pressure differential that exists between the maximum value set and the restoration value cannot be adjusted. Recommended for all cases where it is necessary to obtain an electrical signal once a certain level of vacuum is reached to start a work cycle, for control of the already attained grip by the suction cups or for reasons of safety, etc.

| Technical features | |
|--------------------|--------------|
| Fluid | Vacuum |
| Flow rate | 2A - 250 VAC |
| Regulation (-kPa) | 20 ... 90 |
| Temperature (°C) | -5 ... 70 |
| IP Rating | IP67 |
| Weight (g) | 62,5 |

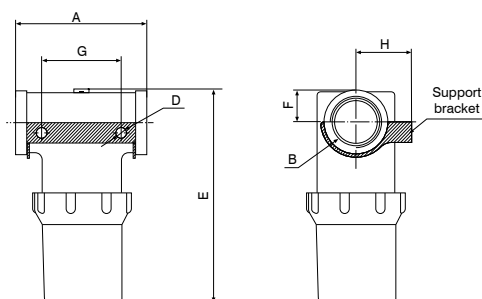
High efficiency silencers



| Code | Description | A | B | C | ØD | Weight (g) |
|---------|-----------------------|------|----|-----|----|------------|
| 19S18.S | Silencer G1/8 | G1/8 | 6 | 30 | 16 | 10 |
| 19S14.S | Silencer G1/4 | G1/4 | 8 | 50 | 20 | 21 |
| 19S38.S | Silencer G3/8 | G3/8 | 10 | 70 | 24 | 35 |
| 19S12.R | Silencer G1/2 reduced | G1/2 | 12 | 70 | 29 | 46 |
| 19S12.S | Silencer G1/2 | G1/2 | 12 | 90 | 35 | 83 |
| 19S34.R | Silencer G3/4 reduced | G3/4 | 12 | 90 | 35 | 86 |
| 19S34.S | Silencer G3/4 | G3/4 | 12 | 110 | 50 | 144 |
| 19S10.R | Silencer G1 reduced | G1 | 14 | 110 | 50 | 144 |

The use of sound-absorbing material enclosed in appropriate aluminium containers made it possible to create this range of silencers which significantly lower air noise in the vacuum generator discharge stage.
Noise reduction: from -13 to -20 dBA
Working temperature: from -20 to +100 °C

Vertical filters



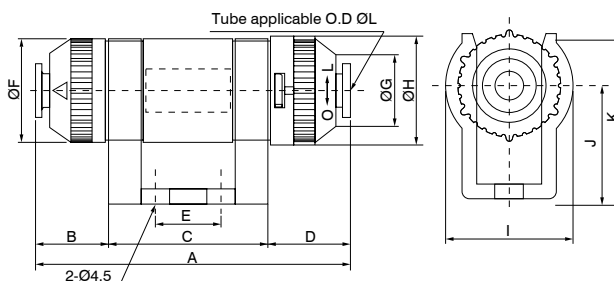
| Code | Description | Flow rate (l/min) | Volume (cm³) | A | B | D | E | F | G | Weight (g) |
|------------|--------------|-------------------|--------------|-----|--------|-----------|-------|------|----|------------|
| 19F38.V.00 | Filter G3/8" | 150 | 45 | 76 | 2-G3/8 | 2 - Ø6.5 | 71.3 | 14 | 45 | 70 |
| 19F12.V.00 | Filter G1/2" | 900 | 195 | 91 | 2-G1/2 | 2 - Ø8.5 | 131.5 | 16 | 50 | 168 |
| 19F34.V.00 | Filter G3/4" | 900 | 205 | 91 | 2-G3/4 | 2 - Ø8.5 | 139 | 18.5 | 50 | 170 |
| 19F10.V.00 | Filter G1" | 2520 | 495 | 126 | 2-G1 | 2 - Ø10.5 | 167 | 23 | 80 | 424 |

Filter elements

| Code | Description |
|-------------|--|
| RK1900/0022 | Filter element for 19F38.V.00 |
| RK1900/0023 | Filter element for 19F12.V.00 and 19F34.V.00 |
| RK1900/0024 | Filter element for 19F10.V.00 |

Preventing contaminants from reaching the vacuum generator is critical for maintaining its proper operation. Filters of this series have this function, manufactured in a simple way, have threaded connections for installation and a bowl that can be easily taken off to allow fast cleaning of the internal filter cartridge.
The various models of filter cover a flow rate range running from 150 to 2520 l/m, degree of filtration: 10 micron, working temperature: -20 / 80 °C, working pressure: -100 / 0 kPa.

Line filters



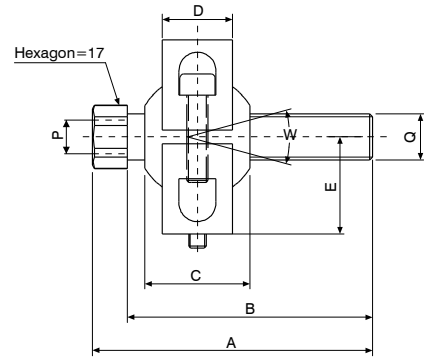
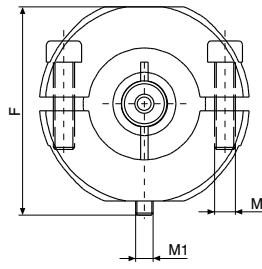
| Code | Description | A | B | C | D | E | ØF | ØG | ØH | I | J | K | ØL | Weight (g) |
|------------|--------------------|------|------|----|------|----|----|------|------|----|----|----|----|------------|
| 19F04.L.01 | Tube Ø4 - 20 l/min | 53,2 | 9,1 | 30 | 14,1 | 10 | 18 | 11,6 | 19,5 | 23 | 20 | 29 | 4 | 14 |
| 19F06.L.01 | Tube Ø6 - 20 l/min | 53,2 | 9,1 | 30 | 14,1 | 10 | 18 | 11,6 | 19,5 | 23 | 20 | 29 | 6 | 13 |
| 19F06.L.02 | Tube Ø6 - 50 l/min | 67 | 15,5 | 34 | 17,5 | 14 | 22 | 15,6 | 23,1 | 27 | 24 | 35 | 6 | 26 |
| 19F08.L.02 | Tube Ø8 - 50 l/min | 67 | 15,5 | 34 | 17,5 | 14 | 22 | 15,6 | 23,1 | 27 | 24 | 35 | 8 | 24 |

Filter elements

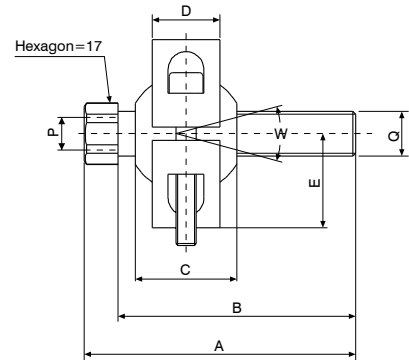
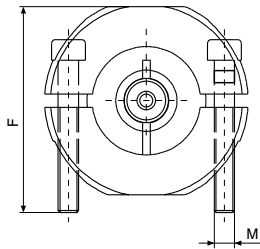
| Code | Description |
|-------------|--|
| RK1900/0020 | Filter element for 19F04.L.01 and 19F06.L.01 |
| RK1900/0021 | Filter element for 19F06.L.02 and 19F08.L.02 |

Line filters can handle very fine powders and contaminants without interfering with the intake flow rate. Thanks to the small dimensions they can be installed directly on the suction cups or on the vacuum pipework, and since they have automatic connections, wiring operations are facilitated.
Degree of filtration: 10 micron, working temperature: 0-60 °C, working pressure: -100 / 0 kPa.

► Suction Cup Support



| Code | A | B | C | D | E | F | P | Q | M | M1 | W | Weight (g) |
|---------|----|----|----|----|------|------|------|------|----|----|-----|------------|
| 19SP1.T | 80 | 70 | 30 | 20 | 27.5 | 59.5 | G1/4 | G1/4 | M6 | M5 | 30° | 174 |



| Code | A | B | C | D | E | F | P | Q | M | W | Weight (g) |
|---------|----|----|----|----|------|----|------|------|----|-----|------------|
| 19SP2.T | 80 | 70 | 30 | 20 | 27.5 | 61 | G1/4 | G1/4 | M6 | 30° | 180 |

Support for suction cup with adjustability and fastening via a ball bearing that allows it to be kept in the desired position.





PNEUMAX

PNEUMAX S.p.A.

Via Cascina Barbellina, 10

24050 Lurano (BG) - Italy

P. +39 035 41 92 777

vacuum@pneumaxspa.com

www.pneumaxspa.com