



PNEUMAX



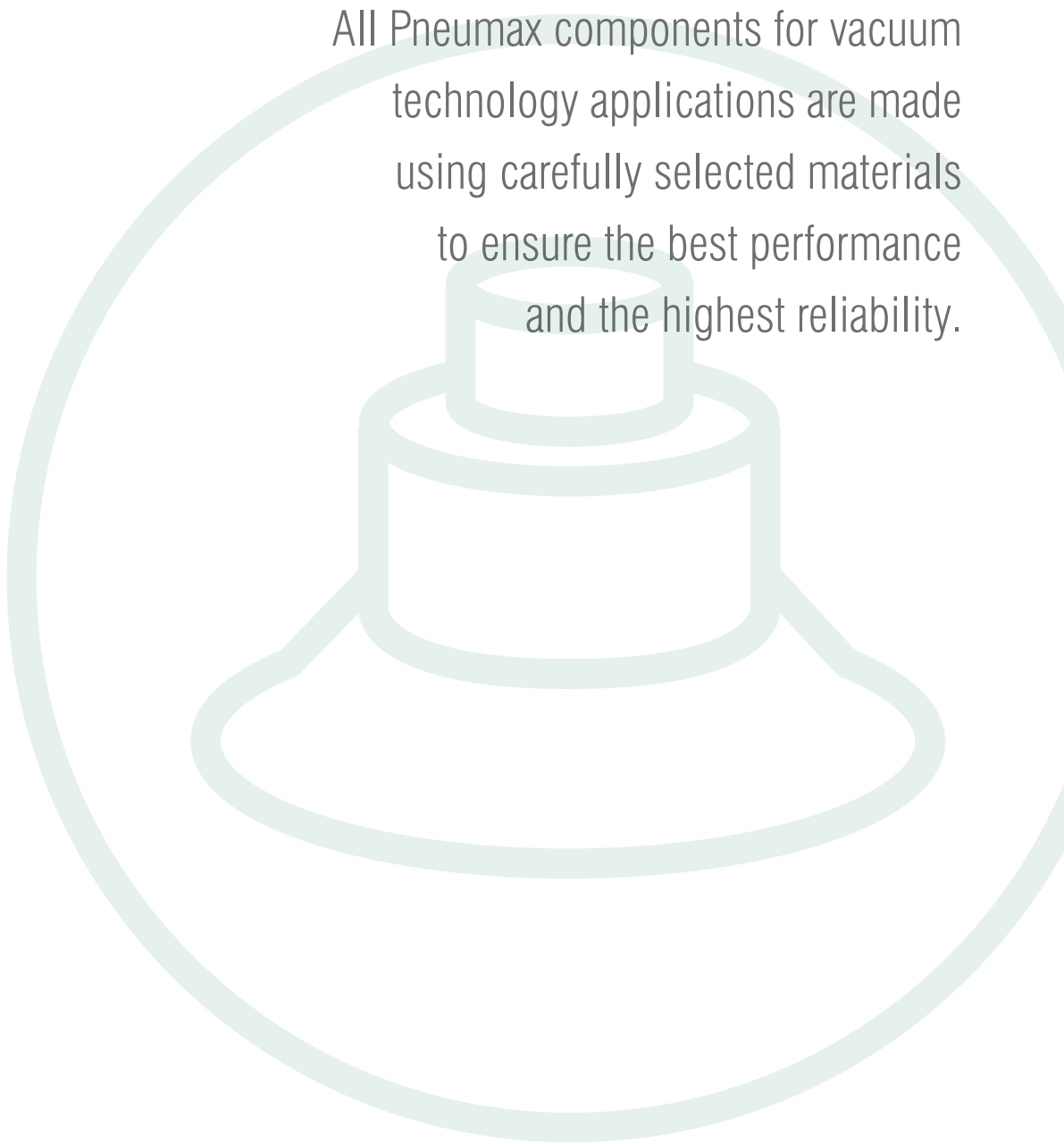
VACUUM TECHNOLOGY

CATALOGUE

Vacuum Technology Catalogue

Reliability, technology
and quality of materials

All Pneumax components for vacuum technology applications are made using carefully selected materials to ensure the best performance and the highest reliability.



Pneumax

Smart Technologies and Human Competence

Founded in 1976, **Pneumax S.p.A.** is today one of the leading international manufacturers of components and systems for automation.

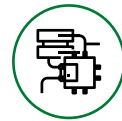
It is at the forefront of a Group comprised of **29 companies**, with over **850 employees worldwide**.

Ongoing investment in research and development has allowed **Pneumax** to continually expand its range of standard products and customized solutions including pneumatic components and systems, electric actuators and fluid control components.

The desire to provide the service and specific application skills has led to the creation of **3 business units**, dedicated to Industrial Automation, Process Automation and Automotive sector.



Pneumatic
technology



Electric
actuation



Fluid
control

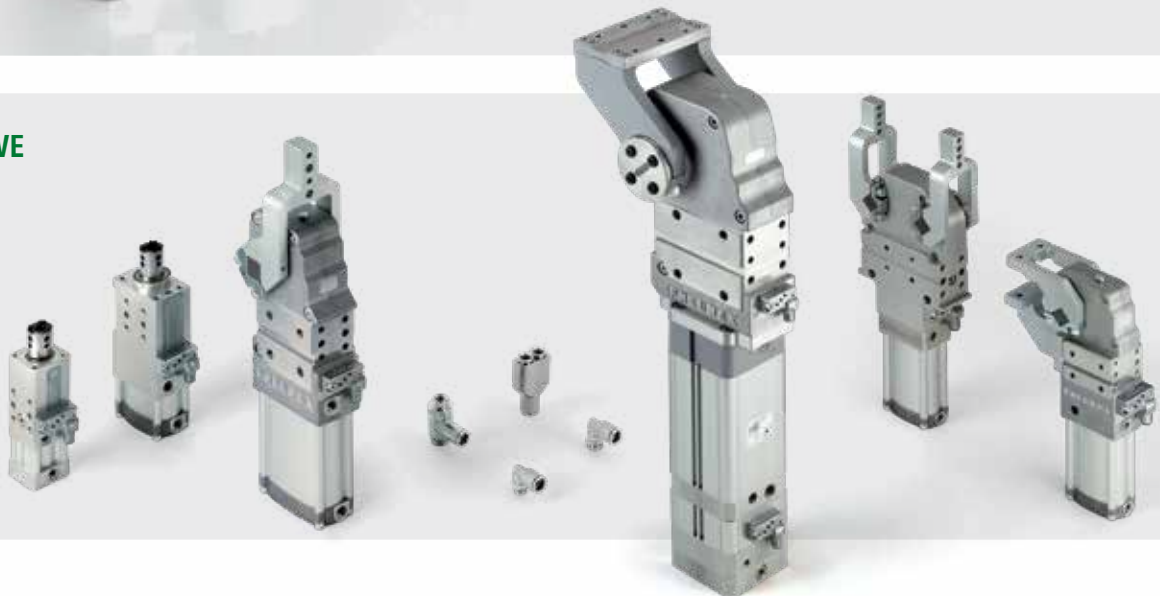


INDUSTRIAL AUTOMATION

**PROCESS
AUTOMATION
TECHNOLOGY**



AUTOMOTIVE



The ability to provide various technologies and solutions for each of our clients applications is the main objective of the Company, making Pneumax the ideal strategic partner.

What defines us is the “**Pneumax Business Attitude**”, born out of the capacity to combine industry sectors, technology and our application skills via the clients collaboration with our business and product specialists. The most effective solutions are studied around the TCO (Total cost of ownership) related to the entire life cycle of the product.

This represents the main Pneumax distinguishing factor.



Index

Vacuum technology

Introduction

Vacuum technique 6

Suction cups 10



Available in different shapes and materials, each one of which can meet a number of existing application requirements of the most demanding industrial sectors.

Series 1900 10

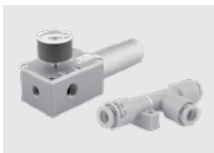
Level compensators 22



Range of compensators with external or internal spring, available in the anti-rotation version to guarantee maximum precision and reliability in positioning.

Series 1900 23

Vacuum generators 26



Single stage vacuum generators

Single-stage generators, robust and reliable, with compact dimensions and suitable for applications which need the required degree of vacuum to be reached quickly with high flow rates.

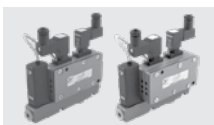
Series 1900 28



Multistage vacuum generators

Compact generators, composed of several modules according to the required performance to obtain high suction capacity with low consumption and high vacuum degrees.

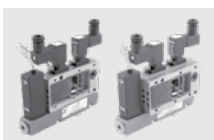
Series 1900 58



Multifunction vacuum generators

Separate vacuum units that can control a complete vacuum gripping system.

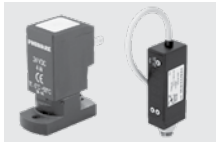
Series 1900 69



Multifunction modular vacuum generators

The intermediate "ME" multistage and multifunction vacuum generators are not autonomous and must be hooked up to the "SE" units to operate.

Series 1900 74



Accessories and spare parts for multifunction vacuum generators “SE” - “ME”

Series 1900	80
-------------	-----------

Valves and solenoid valves

82



Shut-off valves

Non-return valves that can close the suction line in the event of air leakage from the suction cup that is not located on the workpiece or that is not completely adherent to it.

Series 1900	84
-------------	-----------



Valves and solenoid valves poppet system

Valves and solenoid valves poppet system for high flow rates, for vacuum.

Series 700	85	Series T772-773	96
Series PG	87	Series T771	104



Solenoid coils

For Series 771, 772, 773, 779, T772, T773, T771 and N776	109
--	------------



Pad valves

Pad valves, are one of the more functional and cost effective solutions, for intercepting fluids. PVV series is specifically designed for large suction capacities.

Series PVA	111	Series PVV	113
------------	------------	------------	------------

Regulators

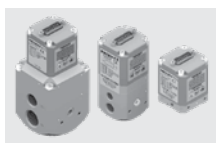
115



Manual regulator

Precision in keeping the vacuum regulated for applications that require stability and accuracy.

Series 1700	116
-------------	------------



Proportional regulators

Electronic proportional pressure regulator with closed Loop. Air-vacuum and vacuum-vacuum versions.

Air-vacuum Series 1900	117	Vacuum-vacuum Series 1900	123
------------------------	------------	---------------------------	------------

Accessories and instruments

127



Vacuum switch, vacuum gauge, silencers and filters.

Series DS	128	Series 1900	132
-----------	------------	-------------	------------

VACUUM TECHNIQUE

“The vacuum is an experimentally attainable state”, as it is defined in physics. By vacuum, we mean a space completely void of matter, “called absolute vacuum”. In practice, this state is unattainable, so when we say vacuum, we mean that the air pressure inside an environment is lower than atmospheric pressure, or when the density of the particles in the air is lower. With the expressions “Vacuum”, “suction”, “negative pressure”, etc., we are referring to a pressure below atmospheric pressure, due to the weight of the overlying air. At sea level, this pressure is equal to 1013 mBar.



Degree of Vacuum

Depending on whether the pressure is higher or lower than atmospheric pressure, the phenomena that occur can vary considerably, and thus the means of achieving and measuring such pressure also varies. Usually we distinguish between different degrees of vacuum that are referred to by specific names as a function of the various intervals of sub-atmospheric pressure, as indicated below:

- 1) Low vacuum
- 2) Medium vacuum
- 3) High vacuum
- 4) Ultra high vacuum
- 5) Extreme high vacuum

In the industrial field, the vacuum is subdivided into three areas of application, which depend on the degree of vacuum required:

Low vacuum: This term means a degree of vacuum between 0 and -20 KPa inclusive, most often used in applications where high air flow suction is required. In this industrial segment, electromechanical impeller pumps, side channel blowers, vacuum generators etc.

Industrial Vacuum: this term refers to a degree of vacuum between -20 and -99 KPa inclusive. This range

includes many of the applications where the vacuum is produced mainly by vacuum generators based on the Venturi principle, powered by compressed air and by vacuum pumps of the rotary vane, liquid ring, piston and hook-and-claw types, all driven by electric motors.

Process Vacuum: This is a degree of vacuum higher than -99 KPa, where the main generators of this degree of vacuum are the two-stage rotary vane pumps, turbo molecular pumps, diffusion pumps, cryogenic pumps, etc., all driven by electric motor.

The highest value of vacuum reached on earth is still far from the value of an absolute vacuum, which remains a purely theoretical matter. Even in space, so therefore in the absence of an atmosphere, there is a small presence of molecules per cubic metre. The impetus to improve vacuum technologies comes from industry and research. There is a great number of practical applications and highly disparate sectors: vacuum is used in the metallurgical, aerospace and food industries, in particle accelerators, in microelectronics, in the glass and ceramics industry, in industrial robotics, in moving and handling with suction cups, etc.

Examples of application



- **Robotics**

Handling auto parts for the automotive sector, Palletisation in packaging sector, handling sheets of glass, marble and wood panels.

- **Food packaging**

Vacuum packaging of food in modified atmosphere

- **Cardboard box forming**

With the help of suction cups and vacuum generators, the cardboard boxes can be formed easily and quickly.

- **Transportation of powders and granules**

With vacuum, it is possible to transport powders and granules while avoiding harm to the product and maintaining high standards of hygiene and safety.

- **Vacuum clamping**

With the help of vacuum and proper suction cups, it is possible to clamp products such as wood, marble, glass, fibre composites, onto machining centers.

- **Evaporation and degassing**

Vacuum can be used to lower the boiling point of any liquid, which considerably reduces the time needed to reach that point. In degassing applications, vacuum is used to reduce the gases present in a substance.

These gases may cause bubbles which have an adverse effect on the product.

- **Pick and Place**

Plastic sector, automotive, electronic, printing, packaging.

- **Moving fragile products**

High sensitivity vacuum components are suitable to handling eggs, glass, ceramic parts and electronic components.

- **Vacuum infusion**

Infusion of composite materials is a production process that is becoming increasingly more popular to improve the aesthetic quality of the end product and reduce total manpower costs. The general principle of infusion is to “absorb” the resin into there and in the fabrics to be reinforced by using vacuum technology. The vacuum reduces the pressure at one end of the layers of fabric, allowing the atmosphere to push the resin through all the layers of fabric. The speed and distance at which a stack of fabric can be filled depends on the viscosity of the resin system, permeability of the layers of fabric and pressure gradient that acts on the infused resin.

- **Thermoforming**

Vacuum can be used in the process of thermoforming plastic materials. The preheated sheet of plastic material is placed on the die via suction (vacuum), so as to conform to the relief features of the die.

- **Medical**

Vacuum is used in a number of procedures in the medical sector, such as: dentistry and oral prosthetics, compression therapy and other hospital procedures.

Conversion table for positive pressure

	Pa (N/m ²)	bar	Kg/cm ²	Torr	psi (lbf/in ²)	kPa	inHg
1 Pa	1	0,00001	10,1792x10 ⁻⁶	7,50062x10 ⁻³	0,145038x10 ⁻³	0.001	0,3x10 ⁻³
1 kPa	1000	0.01	10,1792x10 ⁻³	7,50062	0,145038	1	0,3
1 bar	100000	1	1,01972	750,062	14,5038	100	30
1 kg/cm ²	98066,5	0,980665	1	735,559	14,2233	98,0665	29,42
1 torr	133,322	1,33322x10 ⁻³	1,35951x10 ⁻³	1	19,3368x10 ⁻³	0,133322	0,04
1 Psi	6894,76	68,9476x1 ⁻³	70,3096x10 ⁻³	51,7149	1	6,89476	2,07

Conversion table for negative pressure

	mbar	kPa	-kPa	%Vuoto	Torr	-mmHg	inHg
Atm	1013	101,3	0	0	760	0	0
	913	91,3	10	9,9	685	75	3
	813	81,3	20	19,7	610	150	6
	713	71,3	30	29,6	535	225	9
	613	61,3	40	39,5	460	300	12
	513	51,3	50	49,3	385	375	15
	413	41,3	60	59,2	310	450	18
	313	31,3	70	69,1	235	525	21
	213	21,3	80	79	160	600	24
113	11,3	90	89	85	675	27	
Absolute vacuum	0	0	101,3	100	0	760	30

Conversion table of Flow rate per unit of time

	m ³ /s	m ³ /h	l/min	l/s	ft ³ /min (scfm)
1 m ³ /s	1	3600	60000	1000	2118,9
1 m ³ /h	0,28x10 ⁻³	1	16,6667	0,2778	0,5885
1 l/min	16,67x10 ⁻⁴	0,06	1	0,0167	0,035
1 l/s	1x10 ⁻³	3,6	60	1	2,1189
1 ft ³ /min (scfm)	0,472x10 ⁻³	1,6992	28,32	0,4720	1

Suction cups

Suction cups are vacuum accessories that are indispensable whenever it is needed to lifting, clamping or handling manufactured products, sheets or other objects that are “difficult to grip” with traditional gripping means, because they lack handholds, are fragile or are easily deformable.

Correct application of suction cups ensures simple, economical and safe gripping operations, which are critical requirements for the proper execution of any automatic action.

The suction cup adheres to the surface of an object whenever the pressure surrounding it outside (atmospheric pressure) is higher than the pressure existing between the suction cup and the surface of the object.

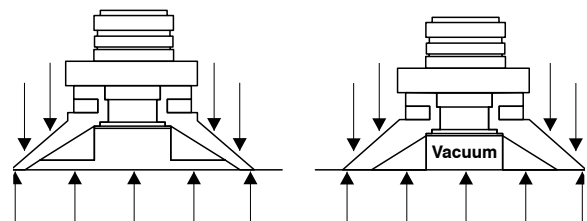
In order to generate low pressure inside the suction cup, the latter may be connected to a vacuum pump.

The lifting force of the suction cup will depend on the degree of vacuum attained by the pump and its capacity to compensate for losses.

The suction cup is an effective, simple and economical system for handling all kinds of shapes and surfaces.

The suction cup itself can have a number of different shapes:

flat, oval, conical bellows with the possibility of adding various accessories, such as filters, shut-off valves, level compensators. Any given suction cup is designed for a specific vacuum movement application.



Applications:











Gripping, handling, lifting, forming, palletising, pick & place, transferring, positioning. The materials that can be managed with suction cups are highly varied, but we can roughly categorise them as follows:

METALS: heavy loads, large sizes, middle frequencies, dirty surfaces.

PLASTIC: light loads, medium to small sizes with irregular shapes, no surface deposits.

WOOD: rough surface, slightly deformed, middle-weight loads, no surface deposits.

Application symbols

	Applications	Description
	Universal	Multipurpose applications, flat or slightly curved surface.
	Packaging	Product packaging and handling of packaged products, mainly used for handling cardboard boxes and interlayers.
	Plastick bag	Gripping and handling of plastic and paper bags, high capacity suction cups are designed to deform and adapt to the characteristics of the bag being picked up or opened.
	Food packaging	Designed for the handling of product within the food industry such as bread, chocolate, brioches etc. High capacity cups are designed to deform and adapt to the characteristics of the product being handled.
	Metal sheet	Sheet metal industry, mainly used for handling, fixing and the processing of metal plate. Particularly suitable for oily surfaces and for handling pieces with lateral force, high slip resistance.
	Stone & Marble	Stone and marble processing industry, mainly for handling marble slabs and bricks. Particularly suitable for uneven surfaces, where a large deformation of the suction cup is required.
	Slip resistance	Suitable for handling material with a smooth surface, prevent side sliding when gripped.
	Rough surface	Suitable for handling material with a rough surface such as sawn wood, marble slabs and bricks. Suction cups with sponge rubber are used in order to better compensate for the irregularity of the surface.
	Long life time	Made with a particular anti-abrasive compound that increases its resistance and longevity.
	Oily surfaces	Special suction cups suitable for oily surfaces

SUCTION CUPS

Pneumax suction cups are available in different shapes and materials, to meet the application requirements of the most demanding industrial sectors.



Suction cup choice

Suction cup Flat series TP

Suction cup to be used for moving sheets and in those applications where the lifting force is parallel to the gripping plane.

Internal reinforcements improve stability and make this cup suitable for handling heavy objects.

Suction cup Bellows series TS

Suction cup best used in particular for moving light items in those applications where the lifting force is vertical to the gripping plane. The range of the bellows makes it possible to compensate for the irregularity of the surface and height of the object. The long bellows suction cup is best used in applications where it is necessary to pick off and move light products such as: leaves of paper or pieces of cardboard, thin sheets, wood panels, etc.

Due to their greater flexibility, these can be used to compensate for errors of flatness or to grip inclined surfaces, but are not suitable for applications with parallel loads or with a high degree of vacuum.

Suction cup (Plain) Cup series TN

Among the most common types of suction cup, used in sectors of industry where special performance is not required: Handling of objects made of plastic, wood panels, thin sheets of glass and metal, etc. Recommended for vertical movement of heavy objects.

High Grip suction cup

Suction cup with high coefficient of friction, developed for the handling of oily surfaces, such as sheet metal in moulding processes, and also recommended for handling wet marbles and glasses, slabs and loads in general, subject to high accelerations and decelerations during movement. Recommended for the "automotive" sector, available in various sizes and shapes: round and oval flat and round and oval bellows.

Suitable for horizontal and vertical movement.

Foam rubber suction cups

This suction cup allows for the moving and gripping of loads with coarse, very rough or uneven surfaces, such as: textured, nonslip or ribbed/corrugated sheets, and sawn, bush-hammered or flamed marble. Items made of rough concrete, garden walkway tiles and brick in general. Recommended for use with oiled surfaces and to move vertical loads.



Material choice

The material choice depend on the individual application, evaluating as follows:

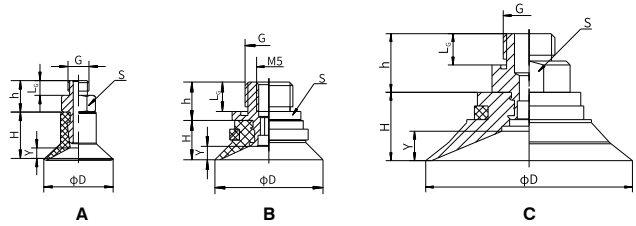
- **Surface roughness of the load to be moved and its temperature.**
- **Weight and dimensions of the load.**
- **The presence of chemical substances, oils, solvents etc. on the gripping surface.**
- **How labour-intensive and complex the work processes are.**
- **How important it is to ensure that no specks exist on the gripping surface.**

Suction cup characteristics and materials

Material	Temperature °C	Abrasion resistance	Oil resistance	Resistance to weather/ atmospheric agents
N NBR	-20 ... +110	Excellent	Excellent	Good
S Silicone	-40 ... +200	Good	Low	Excellent
PU Polyurethane	10 ... 50	Excellent	Good	Excellent
F Fluorinated rubber	-20 ... +80	Low	Low	Low
E-EPDM	-30 ... +150	Good	Low	Excellent

Series 1900

Standard round suction cup



Code V=Version N=NBR / S=Silicone	Drawing	D	H	G	L _G	h	S	Y
19VTN.V.05.008.00	A	9	7	M5	3.5	7.5	7	2
19VTN.V.05.010.00	A	11	10.5	M5	3.5	7.5	7	2
19VTN.V.18.020.00	B	22	8	G1/8"	6	7.8	13	2.2
19VTN.V.18.030.00	B	32	9.5	G1/8"	6	7.8	13	4.5
19VTN.V.18.040.00	C	42	13	G1/8"	6	12	17	5.2
19VTN.V.14.050.00	C	53	17.5	G1/4"	9	17	24	7



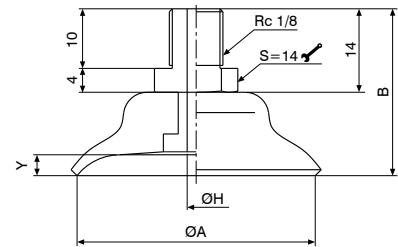
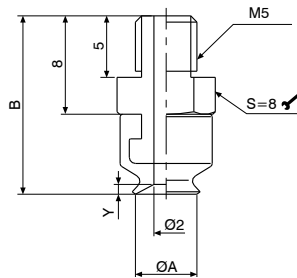
Standard round suction cup, suitable for gripping and moving with vacuum objects with flat or slightly curved surfaces, allows gripping on concave surfaces.

Table of lifting forces

Code V=Version N=NBR / S=Silicone	Volume cm ³	Lifting force in vertical direction (N)			Lifting force in parallel direction (N)			Weight (g)
		-20 kPa	-60 kPa	-90 kPa	-20 kPa	-60kPa	-90 kPa	
19VTN.V.05.004.00	0.03	0.198	0.885	1.275	0.198	0.78	1	2.3
19VTN.V.05.008.00	0.1	1	2.55	3.8	1	2.85	3.35	2
19VTN.V.05.010.00	0.18	1.48	4.4	6.85	1.5	4.4	4.9	2.7
19VTN.V.18.020.00	1	5.9	12.2	16	5.9	8.8	9.8	3
19VTN.V.18.030.00	2	13	25	33	7.8	9.8	11	4.2
19VTN.V.18.040.00	5.5	20	37.5	60	13.8	22	27.5	11
19VTN.V.14.050.00	12	35.5	74	95	20	37	44	26.6

Material	Colour	Hardness °Shore A	Working temperature °C
NBR	Black	55	-20 ... 110
Silicone	Red	50	-40 ... 200

Cup-style round suction cup



Code	ØA	B	Y
19VTC.N.05.006.00	6	14.5	0.8
19VTC.N.05.008.00	8	15	1.2
19VTC.N.05.010.00	10	15.5	1.5

Code	ØA	B	ØH	Y
19VTC.N.18.015.00	15	22	2	1.9
19VTC.N.18.020.00	20	24	3	2.3
19VTC.N.18.030.00	30	26	3	2
19VTC.N.18.040.00	40	28	3	3.5
19VTC.N.18.050.00	50	29	4	4



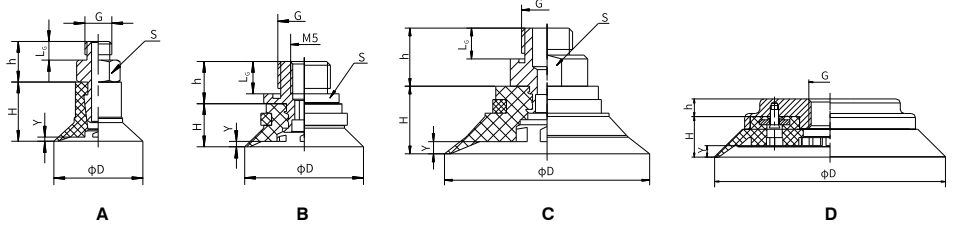
Typical cup-shaped suction cup, suitable for gripping and moving with vacuum objects with flat or slightly curved surfaces, allows gripping on concave surfaces.

Table of lifting forces

Code	Volume cm ³	Lifting force in vertical direction (N)		Weight (g)
		-60 kPa	-90 kPa	
19VTC.N.05.006.00	0.03	0.885	1.275	2.3
19VTC.N.05.008.00	0.1	2.55	3.8	2
19VTC.N.05.010.00	0.18	4.4	6.85	2.7
19VTC.N.18.015.00	0.9	12.2	16	3
19VTC.N.18.030.00	5	37.5	60	11
19VTC.N.18.040.00	12	74	95	26.6
19VTC.N.18.050.00	15	74	95	26.6

Material	Color	Hardness °Shore A	Working temperature °C
NBR	Black	55	-20 ... 110

▶ Round flat suction cup



Code V=Version N=NBR / S=Silicone	Drawing	D	H	G	L _s	h	S	Y
19VTP.V.05.015.00	A	16,5	11	M5	3,5	7,5	7	0,8
19VTP.V.18.020.00	B	22	8	G1/8"	6	7,8	13	1
19VTP.V.18.025.00	B	27	9	G1/8"	6	7,8	13	1
19VTP.V.18.030.00	B	32	10	G1/8"	6	7,8	13	1,2
19VTP.V.18.040.00	C	42	13	G1/8"	6	12	17	1,2
19VTP.V.14.050.00	C	53	17,5	G1/4"	9	17	24	3,2
19VTP.V.14.075.00	D	77	13	G1/4"	*	13	*	4
19VTP.V.12.110.00	D	112	20	G1/2"	*	9	*	6
19VTP.V.12.150.00	D	152	26	G1/2"	*	10	*	8

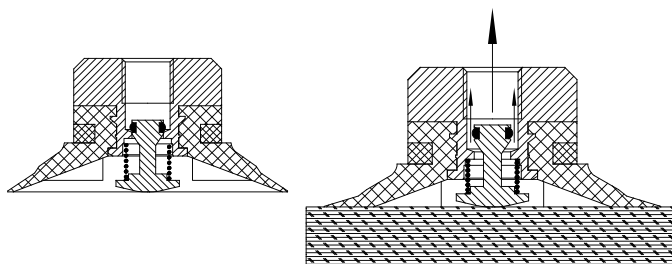
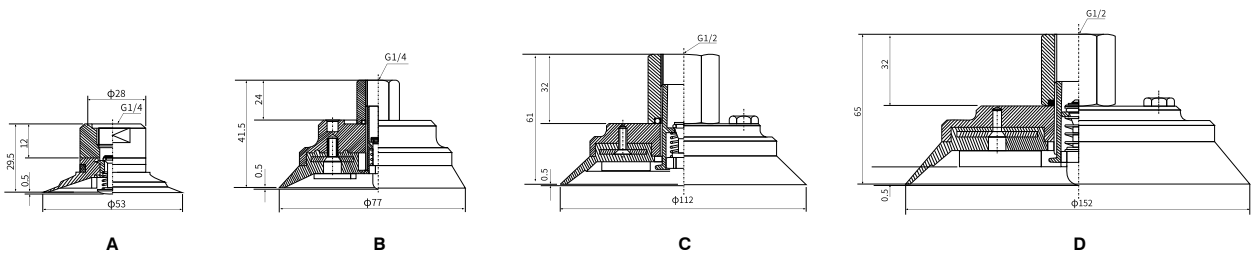


Round flat suction cup, suitable for gripping and moving with vacuum, objects with flat surfaces, offers good stability and minimal displacement. Recommended for applications with force parallel to grip plane, suitable for moving glass, wood, steel and plastic sheets. Internal reinforcements prevent thin objects from deforming and increase friction in applications with forces parallel to grip plane.

Code V=Version N=NBR / S=Silicone	Volume cm ³	Lifting force in vertical direction (N)			Lifting force in parallel direction (N)			Weight (g)
		-20 kPa	-60 kPa	-90 kPa	-20 kPa	-60 kPa	-90 kPa	
		19VTP.V.18.020.00	1	6	15	18.7	5	
19VTP.V.18.025.00	1.1	9.2	19.3	24.9	7.95	8.95	10	3.6
19VTP.V.18.030.00	2	13	24.8	30.8	11	15.98	20	4.5
19VTP.V.18.040.00	4.8	20	40	50	15	25	29.5	11.5
19VTP.V.14.050.00	10	37	74	96	24	40	50	27.9
19VTP.V.14.075.00	20	80	201	272	60	110	140	121.3
19VTP.V.12.110.00	70	141	418.5	562	140	248	299.7	245.3
19VTP.V.12.150.00	160	300	845	1098	250	600	800	605

Material	Color	Hardness °Shore A	Working temperature °C
NBR	Black	55	-20 ... 110
Silicone	Red	50	-40 ... 200

▶ Round flat suction cup with touch valve

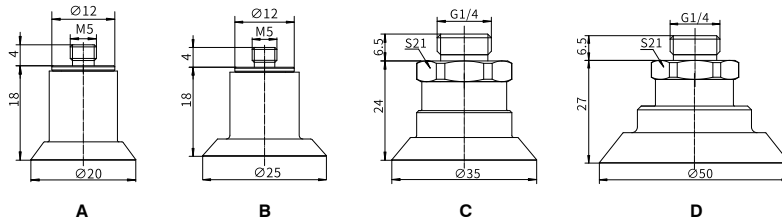


Code V=Version N=NBR / S=Silicone	Drawing
19VTP.N.27.050.00	A
19VTP.N.27.075.00	B
19VTP.N.28.110.00	C
19VTP.N.28.150.00	D
19VTP.S.27.050.00	A
19VTP.S.27.075.00	B
19VTP.S.28.110.00	C
19VTP.S.28.150.00	D



When the suction cup is not in contact with the workpiece, the touch valve closes the suction avoiding loss of flow rate.
When the suction cup is not in contact with the workpiece, the touch valve is activated by opening the suction and ensuring normal operation of the suction cup.

Flat round bellows suction cup for plastic film



Code	Drawing
19VTF.S.05.020.00	A
19VTF.S.05.025.00	B
19VTF.S.14.035.00	C
19VTF.S.14.050.00	D



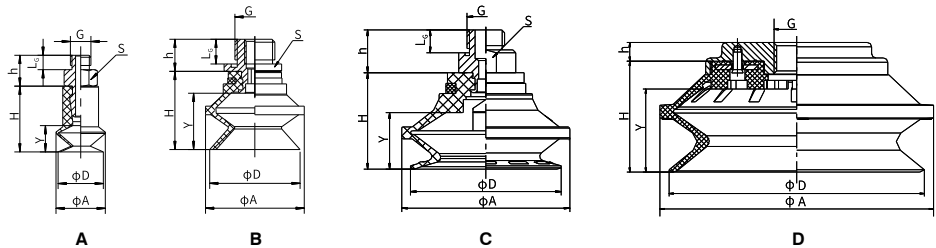
Specially designed for opening plastic bags. Suitable for handling thin and delicate objects, such as plastic films or paper. The thin and adaptable lip together with the internal plugs avoid damages to the film during the suction phase.

SUCTION CUPS

Code	Volume cm ³	Lifting force in vertical direction (N)		Lifting force in parallel direction (N)		Stroke (mm)	Weight (g)
		-60 kPa	-60 kPa	-60 kPa	-60 kPa		
19VTF.S.05.020.00	1	10	6	1,5	4,6		
19VTF.S.05.025.00	1,6	25	21	1,5	5,0		
19VTF.S.14.035.00	2,1	38	32,5	1,5	10,0		
19VTF.S.14.050.00	6	92	76	2	25,0		

Material	Color	Hardness °Shore A	Working temperature °C
Silicone	Blue	40	-40 ... 200

Round bellows suction cup



Code V=Version N=NBR / S=Silicone	Drawing	D	A	H	G	L _G	h	S	Y
19VTS.V.05.005.15	A	5,8	6,2	9,2	M5	3,5	7,5	7	3,6
19VTS.V.05.010.15	A	11	12	16	M5	3,5	7,5	7	7
19VTS.V.05.015.15	A	15,5	17,5	19,5	M5	3,5	7,5	7	10
19VTS.V.18.020.15	B	22	24	19	G1/8	6	7,8	13	9
19VTS.V.18.030.15	C	34	36	26	G1/8	6	12	17	19
19VTS.V.18.040.15	C	43	46	28	G1/8	6	12	17	20
19VTS.V.14.050.15	C	53	58	35	G1/4	9	17	24	20
19VTS.V.12.075.15	D	78	83	37	G1/4	*	13	*	27
19VTS.V.12.110.15	D	115	124	54	G1/2	*	9	*	38,5
19VTS.V.12.150.15	D	155	166	71	G1/2	*	10	*	44,5

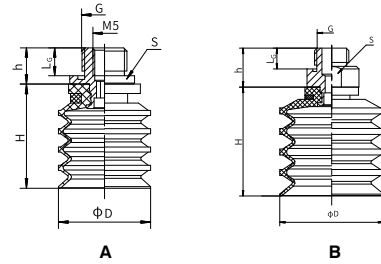


Round bellows suction cup, which, due to its shape, ensures that when in contact with the surface of the load to be lifted and in the presence of vacuum, it rapidly collapses, releasing the load of several millimetres, separately from the movements of the automation system; this rapid movement prevents the load underneath from remaining stuck to the one being lifted. For this reason, suction cups with this feature are recommended in cases where you need to pick off and move sheets of cardboard, fine sheets, wood panels, glass panes etc. and are also recommended for use on curved surfaces. This suction cup is not suitable for handling objects with lifting force parallel to the surface.

Code V=Version N=NBR / S=Silicone	Volume cm ³	Lifting force in vertical direction (N)			Weight (g)
		-20 kPa	-60 kPa	-90 kPa	
19VTS.V.05.005.15	0.05	0.295	0.786	0.99	2
19VTS.V.05.010.15	0.48	1.7	3.5	5.1	2.9
19VTS.V.05.015.15	1.1	3.3	6	8.9	3.5
19VTS.V.18.020.15	2.7	5.8	10.6	15	5
19VTS.V.18.030.15	10	13	25	28	13.6
19VTS.V.18.040.15	15	22.5	42	50.2	20.2
19VTS.V.14.050.15	32	34	65	83	39.5
19VTS.V.12.075.15	110	74	166.4	226	131.3
19VTS.V.12.110.15	310	136.5	343	460.5	316.6
19VTS.V.12.150.15	650	295	686	883	733.3

Material	Color	Hardness °Shore A	Working temperature °C
NBR	Black	55	-20 ... 110
Silicone	Red	50	-40 ... 200

▶ Long bellows suction cup



Code V = Version N = NBR / S = Silicone	Drawing	D	H	G	L _G	h	S
19VTS.V.18.020.45	A	20	23	G1/8	6	7,8	13
19VTS.V.18.030.45	B	30	32	G1/8	6	12	17
19VTS.V.18.040.45	B	40	42	G1/8	6	12	17
19VTS.V.14.050.45	B	50	52	G1/4	9	17	24

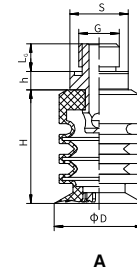
Long bellows suction cup which, due to its shape, makes it possible to compensate for differences in height. Its upward movements are particularly suitable for the separation of thin products, and suitable for handling food packed in plastic bags and for fragile objects. This suction cup is not suitable for handling objects with lifting force parallel to the surface.

Table of lifting forces

Code V = Version N = NBR / S = Silicone	Volume cm ³	Lifting force in vertical direction (N)		Weight (g)
		-20 kPa	-60 kPa	
19VTS.V.18.020.45	4	0.3	0.6	3.9
19VTS.V.18.030.45	13	0.6	1.55	12.4
19VTS.V.18.040.45	27	1.05	2.15	19.8
19VTS.V.14.050.45	55	1.68	4.22	38.3

Material	Color	Hardness °Shore A	Working temperature °C
NBR	Black	55	-20 ... 110
Silicone	Red	50	-40 ... 200

▶ Long bellows suction cup for bags



Code	Drawing	D	H	h	L _G	G	S
19VTS.S.14.030.35	A	30	36,5	6	9	G1/4	19
19VTS.S.38.040.35	A	40	40	6	10	G3/8	22
19VTS.S.12.050.35	A	50	55	6	10	G1/2	28

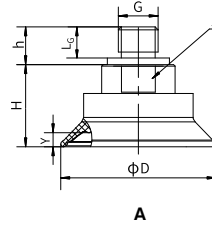
The long bellows suction cup is especially suited for the movement of bags, thanks to its very thin lip and internal notchings, which allow it to ensure secure gripping even with heavy bags that are difficult to lift.

Table of lifting forces

Code	Volume cm ³	Lifting force in vertical direction (N)	Weight (g)
		-60 kPa	
19VTS.S.14.030.35	8.5	9	17.6
19VTS.S.38.040.35	14	15	23.6
19VTS.S.12.050.35	26	25	44.2

Material	Color	Hardness °Shore A	Working temperature °C
Silicone	Red	40	-40 ... 200

High friction round suction cup



A

Code	Drawing	D	H	G	L _G	h	S	Y
19GTN.N.14.030.00	A	32	19,5	G1/4	12	13,5	16	2,7
19GTN.N.14.040.00	A	42	22	G1/4	12	13,5	17	3,7
19GTN.N.14.050.00	A	52	28	G1/4	12	13,5	22	4,7
19GTN.N.14.060.00	A	62,5	31	G1/4	12	13,5	22	6
19GTN.N.14.080.00	A	83	34,5	G1/4	12	13,5	22	6
19GTN.N.14.100.00	A	102	36,5	G1/4	12	13,5	22	9,2

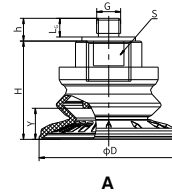


High friction round suction cup suitable for movement of pieces of various size and shape, reinforced internal structure ensures that lifted objects are not deformed and increases friction force in applications with force parallel to the grip plane. The innovative design of the support plane inside the suction cup ensures high coefficient of friction with the grip surface, in particular on very oily sheets or glass panes and very wet marble, thanks to this suction cup's drainage capability. This suction cup is most particularly recommended for applications of handling sheet metal parts in the "automotive" industry. This characteristic means that there is a secure and solid grip by the suction cup and consequently ensures accurate positioning of the load to be moved.

Code	Volume cm ³	Lifting force in vertical direction (N)	Lifting force in parallel direction (N)	Lateral force on oily surface (N)	Weight (g)
		-60 kPa			
19GTN.N.14.030.00	1.6	45	35	33	28.3
19GTN.N.14.040.00	3.5	72	54	51	30.1
19GTN.N.14.050.00	7.5	112	90	86	55.4
19GTN.N.14.060.00	12.6	145	102	93	62.6
19GTN.N.14.080.00	35	288	212	190	81.4
19GTN.N.14.100.00	60	445	322	308	96.6

Material	Color	Hardness °Shore A	Working temperature °C
NBR	Orange	60	-20 ... 110

High friction round bellows suction cup



A

Code	Drawing	D	H	G	L _G	h	S	Y
19GTS.N.14.022.15	A	22	25	G1/4	12	13,5	16	5,5
19GTS.N.14.030.15	A	32	28	G1/4	12	13,5	17	9,5
19GTS.N.14.040.15	A	42	28,5	G1/4	12	13,5	17	10
19GTS.N.14.050.15	A	52	36,2	G1/4	12	13,5	22	11,5
19GTS.N.14.060.15	A	62,5	41	G1/4	12	13,5	22	14,5
19GTS.N.14.080.15	A	82	49,5	G1/4	12	13,5	22	22,5
19GTS.N.14.100.15	A	103	55	G1/4	12	13,5	22	25

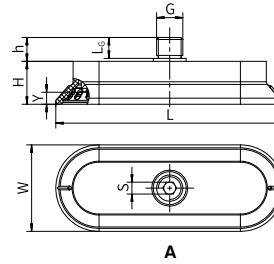


High friction round bellows suction cup suitable for movement of pieces of various size and shape and where level compensation is necessary, such as when withdrawing from loaders. Especially recommended for applications with force parallel to the grip plane. The innovative design of the support plane inside the suction cup ensures high coefficient of friction with the grip surface, in particular on very oily sheets or glass panes and very wet marble, thanks to this suction cup's drainage capability. This feature enables a secure and solid grip by the suction cup and consequently ensures accurate positioning of the load to be moved.

Code	Volume cm ³	Lifting force in vertical direction (N)	Lifting force in parallel direction (N)	Lateral force on oily surface (N)	Weight (g)
		-60 kPa			
19GTS.N.14.022.15	1.5	23	20	6.5	25.2
19GTS.N.14.030.15	6.3	35	28	12	29.5
19GTS.N.14.040.15	7.2	62	37	34	30.9
19GTS.N.14.050.15	11.2	85	58	55	56.3
19GTS.N.14.060.15	22.5	141	88	83	64.4
19GTS.N.14.080.15	57	236	141	136	86.4
19GTS.N.14.100.15	92	371	228	221	116.6

Material	Color	Hardness °Shore A	Working temperature °C
NBR	Orange	60	-20 ... 110

High friction oval suction cup



Code	Drawing	L	W	H	G	L _g	h	S	Y
19GEN.N.14.JxD.00	A	50	16	19,5	G1/4	12	13,5	5	3
19GEN.N.14.AxH.00	A	84	24	15,5	G1/4	12	13,5	5	5
19GEN.N.14.BxL.00	A	93	33	16	G1/4	12	13,5	5	5
19GEN.N.14.CxN.00	A	113	43	21,5	G1/4	12	13,5	5	6
19GEN.N.14.FxO.00	A	123	65	18	G1/4	12	13,5	5	6

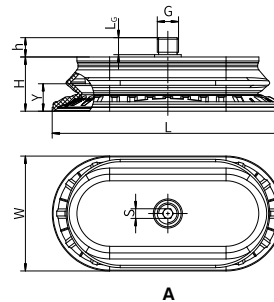


High friction oval suction cup suitable for movement of elongated thin pieces; the reinforced internal structure ensures that lifted objects are not deformed and increases friction force in applications with force parallel to the grip plane. The innovative design of the support plane inside the suction cup ensures high coefficient of friction with the grip surface, in particular on very oily sheets or glass panes and very wet marble, thanks to this suction cup's drainage capability. This suction cup is most particularly recommended for applications of handling sheet metal parts in the "automotive" industry. This feature enables a secure and solid grip by the suction cup and consequently ensures accurate positioning of the load to be moved.

Code	Volume cm ³	Lifting force in vertical direction (N)	Lifting force in parallel direction (N)	Lateral force on oily surface (N)	Weight (g)
		-60 kPa	-60 kPa	-60 kPa	
19GEN.N.14.JxD.00	2	33	24	12	17
19GEN.N.14.AxH.00	5	78	38	35	23
19GEN.N.14.BxL.00	10	125	77	60	24
19GEN.N.14.CxN.00	25	200	188	118	47
19GEN.N.14.FxO.00	35	312	254	170	70

Material	Color	Hardness °Shore A	Working temperature °C
NBR	Orange	60	-20 ... 110

Oval high-friction bellows suction cup



Code	Drawing	L	W	H	G	L _g	h	S	Y
19GES.N.14.BxF.15	A	62	31	20	G1/4	12	13,5	5	6
19GES.N.14.CxH.15	A	82	41	22,7	G1/4	12	13,5	5	8,8
19GES.N.14.ExN.15	A	112	57	29	G1/4	12	13,5	5	12,5
19GES.N.14.GxR.15	A	143	70,5	33	G1/4	12	13,5	5	17

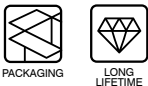
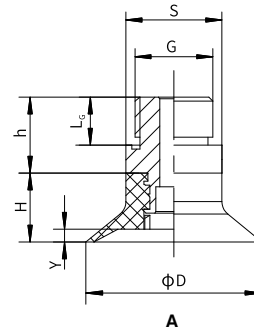


High friction oval bellows suction cup suitable for movement of elongated and thin pieces and where level compensation is necessary, such as in the withdrawal of loaders. Especially recommended for applications with force parallel to the grip plane. The innovative design of the support plane inside the suction cup ensures a high coefficient of friction with the grip surface, in particular on very oily sheets or glass panes and very wet marble, thanks to this suction cup's drainage capability. This feature enables a secure and solid grip by the suction cup and consequently ensures accurate positioning of the load to be moved.

Code	Volume cm ³	Lifting force in vertical direction (N)	Lifting force in parallel direction (N)	Lateral force on oily surface (N)	Weight (g)
		-60 kPa	-60 kPa	-60 kPa	
19GES.N.14.BxF.15	8,7	53	60	50	41,9
19GES.N.14.CxH.15	22	110	118	101	51,5
19GES.N.14.ExN.15	57	197	200	183	102,1
19GES.N.14.GxR.15	108	275	295	267	138,9

Material	Color	Hardness °Shore A	Working temperature °C
NBR	Orange	60	-20 ... 110

Standard round suction cup made of polyurethane



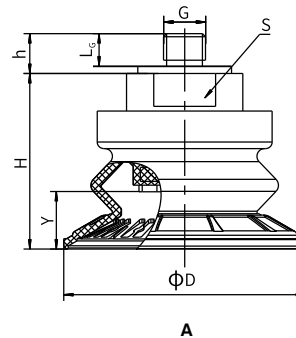
Code	Drawing	D	H	G	h	L _g	Y	S
19VTN.P.18.030.00	A	31	10,5	G1/8	7,8	6	2	13
19VTN.P.18.040.00	A	41	14	G1/8	12	6	2,5	17

Standard round suction cup made of polyurethane, suitable for gripping and moving with vacuum, objects with flat or slightly curved surfaces, allows gripping on concave surfaces. The big advantage of this suction cup, is that the material it's made of, polyurethane, lasts longer than other materials, has optimum wear resistance, good flexibility and Polyurethane suction cups are mark resistant.

Code	Volume cm ³	Lifting force in vertical direction (N)			Lifting force in parallel direction (N)			Weight (g)
		-20 kPa	-60 kPa	-90 kPa	-20 kPa	-60 kPa	-90 kPa	
		19VTN.P.18.030.00	2	13	23	33	7.8	
19VTN.P.18.040.00	5.5	20	40	60	13.8	22	27.5	11.8

Material	Color	Hardness °Shore A	Working temperature °C
PU	Yellow	40	10 ... 50

Round bellows suction cup made of polyurethane



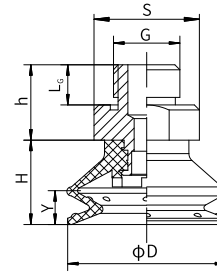
Code	Drawing	D	H	G	L _g	h	S	Y
19VTS.P.14.030.15	A	32	28	G1/4	12	13,5	17	7
19VTS.P.14.040.15	A	42	29	G1/4	12	13,5	17	9
19VTS.P.14.050.15	A	51,5	37	G1/4	12	13,5	22	12,5
19VTS.P.14.060.15	A	64	41,5	G1/4	12	13,5	22	15
19VTS.P.14.080.15	A	84	49,5	G1/4	12	13,5	22	23
19VTS.P.14.100.15	A	103	55	G1/4	12	13,5	22	22

Round bellows suction cup made of polyurethane, suitable for moving pieces of various sizes and shapes and where level compensation is necessary, such as when withdrawing from loaders. The big advantage of this suction cup, is that the material it's made of, polyurethane, lasts longer than other materials, has optimum wear resistance, good flexibility and optimum tensile strength. Suitable for moving with vacuum steel sheets, glass sheets, cardboard boxes and wood panels.

Code	Volume cm ³	Lifting force in vertical direction (N)			Lifting force in parallel direction (N)			Weight (g)
		-20 kPa	-60 kPa	-90 kPa	-20 kPa	-60 kPa	-90 kPa	
		19VTS.P.14.030.15	6	11	60.2	91	8.4	
19VTS.P.14.040.15	7.2	17.5	93	119.8	11.3	63.8	110.8	30.6
19VTS.P.14.050.15	11	25	128.5	157.8	20.5	94	144	58.5
19VTS.P.14.060.15	22	87.3	156.2	189.2	67	125.6	165.8	67.9
19VTS.P.14.080.15	59.5	118.6	210.5	252.6	89	167.8	221.2	89.9
19VTS.P.14.100.15	103.5	149	269.5	310.4	111.8	209.8	276.5	135.3

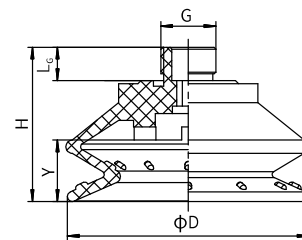
Material	Color	Hardness °Shore A	Working temperature °C
PU	Blu	70	10 ... 50

▶ Round bellows suction cup made of polyurethane



A

Code	Drawing	D	H	G	h	L _G	Y	S
19VTS.P.18.030.15	A	31,5	16,8	G1/8	12	6	6,6	17
19VTS.P.18.040.15	A	42	22,4	G1/8	12	6	8,8	17
19VTS.P.38.050.15	A	52,5	29,3	G3/8	13	10	12,3	24



B

Code	Drawing	D	H	G	L _G	Y	S
19VTS.P.38.070.15	B	73	46,5	G3/8	10	16,5	*



Round bellows suction cup made of polyurethane, suited for movement of pieces of various size and shape and where level compensation is necessary, such as when withdrawing from loaders. The big advantage of this suction cup, is that the material it's made of, polyurethane, lasts longer than other materials, has optimum wear resistance, good flexibility and optimum tensile strength. Polyurethane suction cups are mark resistant.

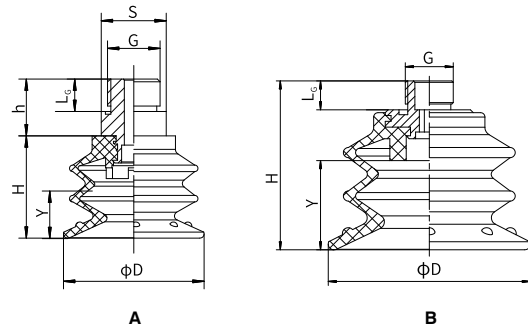
Table of lifting forces

Code	Volume cm ³	Lifting force in vertical direction (N)			Weight (g)
		-20 kPa	-60 kPa	-90 kPa	
19VTS.P.18.030.15	10	13	30	37	10.3
19VTS.P.18.040.15	15	22.5	60	75	17.3
19VTS.P.38.050.15	32	34	86	100	33.4
19VTS.P.38.070.15	108	74	165	225	60.6

Material	Color	Hardness °Shore A	Working temperature °C
PU	Yellow	40	10 ... 50

SUCTION CUPS

Round bellows suction cup made of polyurethane



Code	Drawing	D	H	G	h	L _c	Y	S
19VTS.P.18.020.25	A	21	14,8	G1/8	7,8	6	4,5	13
19VTS.P.18.030.25	A	30	21,3	G1/8	7,8	6	8	13
19VTS.P.14.040.25	A	40	28,4	G1/4	12	6	10,6	17
19VTS.P.38.050.25	A	50	35,5	G3/8	18	10	13,4	24
19VTS.P.38.070.25	B	70	58,5	G3/8	*	10	18,6	*



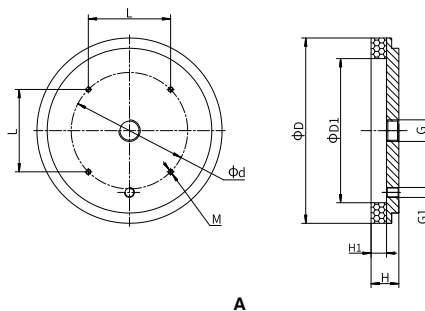
Round bellows suction cup made of polyurethane, suitable for movement of pieces of various size and shape and where level compensation is necessary, such as when withdrawing from loaders. The big advantage of this suction cup, is that the material it's made of, polyurethane, lasts longer than other materials, has optimum wear resistance, good flexibility and optimum tensile strength. Suitable for moving porous objects or ones with an irregular surface, such as cardboard. Polyurethane suction cups are mark resistant.

Table of lifting forces

Code	Volume cm ³	Lifting force in vertical direction (N)			Weight (g)
		-20 kPa	-60 kPa	-90 kPa	
19VTS.P.18.020.25	1.18	4.5	7	10	4.2
19VTS.P.18.030.25	9	10	19	25	6.9
19VTS.P.14.040.25	15	15	32	50	18.2
19VTS.P.38.050.25	30	35	58	79	32.6
19VTS.P.38.070.25	75	72	125	150	60.5

Material	Color	Hardness °Shore A	Working temperature °C
PU	Green	55	10 ... 50

Foam rubber round suction cup



Code	Drawing	D	D1	H	H1	G1	L	M	d	G
19VTN.G.14.040.00	A	40	20	25	15	-	-	-	-	G1/4
19VTN.G.14.064.00	A	64	40	25	15	-	-	-	40	G1/4
19VTN.G.38.092.00	A	92	64	26	15	-	-	4-M5	70	G3/8
19VTN.G.12.127.00	A	127	92	30	15	G1/8	70	4-M5	-	G1/2

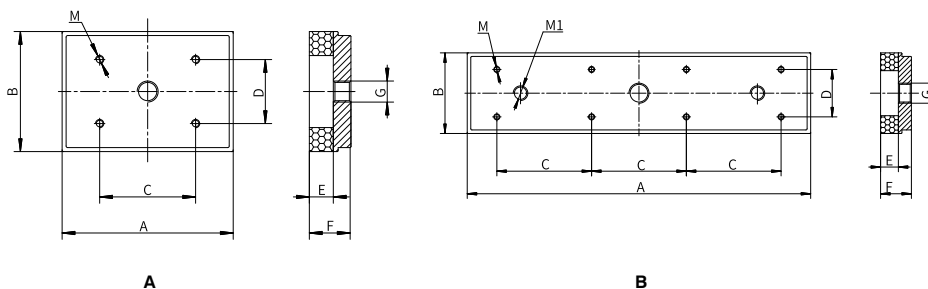


Foam rubber round suction cup is made from a special mixture called "NR", which has a density that allows for gripping even on very rough and irregular surfaces, and allows its elasticity to be maintained even after several working cycles. Especially suited for moving loads with coarse or very rough surfaces such as: sawn, bush-hammered or flamed marble, textured, non-slip or ribbed/corrugated sheets, brick, items made of rough concrete, garden walkway tiles, etc., and in general in all cases where traditional suction cups cannot be used. Recommended for handling loads with lifting force parallel to the surface and for the movement of loads with oiled surfaces.

Code	Lifting force in vertical direction (N)		Weight (g)
	-60 kPa		
19VTN.G.14.040.00	7.8		33.4
19VTN.G.14.064.00	35		82.4
19VTN.G.38.092.00	85		197.8
19VTN.G.12.127.00	175		489.3

Material	Color	Hardness °Shore A	Working temperature °C
Foam rubber "NR"	Orange	30	-20 ... 80

Foam rubber rectangular suction cup



Code	Drawing	A	B	C	D	E	F	G	M	M1
19VRN.G.14.FxR.00	A	135	60	80	40	15	26	G1/4	4-M5	-
19VRN.G.14.HxN.00	A	107	75	60	40	15	26	G1/4	4-M5	-
19VRN.G.12.RxS.00	B	290	140	80	100	15	26	G1/2	8-M5	2-M12



Foam rubber rectangular suction cup is made from a special mixture called "NR", which has a density that allows for gripping even on very rough and irregular surfaces, and allows its elasticity to be maintained even after several working cycles. Especially suited for movement of loads with coarse or very rough surfaces such as: sawn, bush-hammered or flamed marble, textured, non-slip or ribbed/corrugated sheets, brick, items made of rough concrete, garden walkway tiles, etc. and in general in all cases where traditional suction cups cannot be used. Not recommended for handling loads with lifting force parallel to the surface or for the movement of loads with oiled surfaces.

Code	Lifting force in vertical direction (N)		Weight (g)
	-60 kPa		
19VRN.G.14.FxR.00	80		231,7
19VRN.G.14.HxN.00	90		236,7
19VRN.G.12.RxS.00	706		1175,1

Material	Color	Hardness °Shore A	Working temperature °C
Foam rubber "NR"	Orange	30	-20 ... 80

LEVEL COMPENSATORS

Range of compensators with external or internal spring. Anti-rotation version is available to guarantee maximum precision and reliability in positioning.

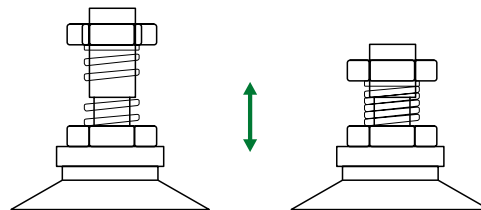


Criteria of choice and functionality

This accessory makes it possible to overcome differences in height that may be found in various applications, for example in lifting systems where the suction cups are fixed to a rigid structure or when a suction cup is used on the arm of an anthropomorphic robot or in a similar system where the items must be accurately positioned at the required height; in addition, the device makes it possible, within certain limits, to absorb pushback.

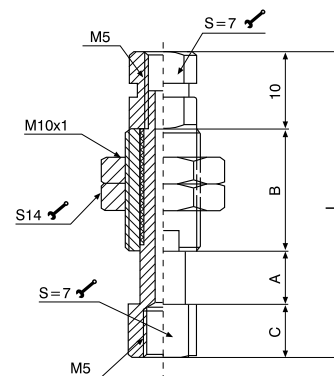
The Pneumax range is subdivided into three types:

- **Compensator with external spring**
- **Compensator with internal spring**
- **Anti-rotation compensator with internal spring**



Series 1900

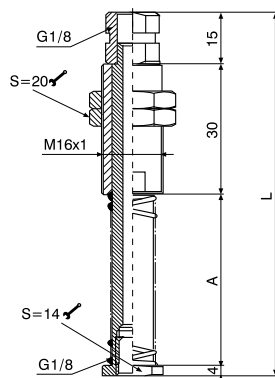
Standard level compensator M5 - internal spring



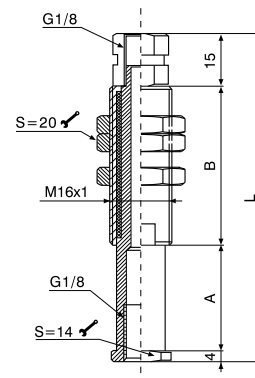
Code	A	B	C	L	Weight (g)
19P05.S.07.I	7	19	7	43	18.7
19P05.S.15.I	15	23	27	75	28.2
19P05.S.20.I	20	36	7	73	28.8

The standard level compensator M5 makes it possible to compensate for differences in height when the gripping system has to deal with objects of different heights, simplifies accurate positioning on vacuum systems, and makes it possible to position the suction cups on fragile items.

Standard level compensator G1/8" – internal and external spring



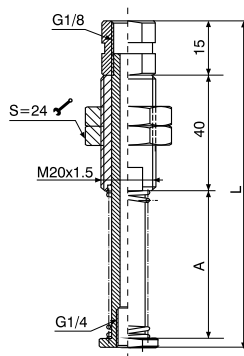
Code	A	L	Weight (g)
19P18.S.10.E	20	69	85
19P18.S.30.E	50	99	111.5
19P18.S.50.E	70	119	123.3



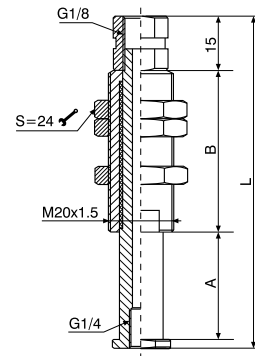
Code	A	B	L	Weight (g)
19P18.S.10.I	10	25	54	59.1
19P18.S.20.I	20	35	74	76.3
19P18.S.30.I	30	45	94	103.1
19P18.S.50.I	50	65	134	140.1

The standard level compensator G1/8" makes it possible to compensate for differences in height when the gripping system has to deal with objects of different heights, simplifies accurate positioning on vacuum systems, and makes it possible to position the suction cups on fragile items.

Standard level compensator G1/4" – internal and external spring



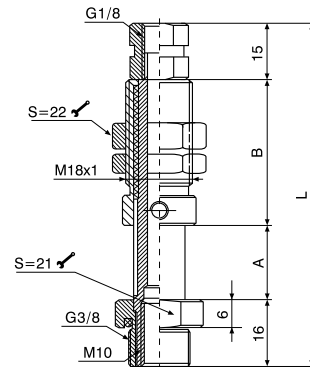
Code	A	L	Weight (g)
19P14.S.20.E	35	95	172.5
19P14.S.50.E	70	130	218.3



Code	A	B	L	Weight (g)
19P14.S.10.I	10	25	55	84.8
19P14.S.20.I	20	35	75	110.3
19P14.S.30.I	30	45	95	145.3

The standard level compensator G1/4" makes it possible to compensate for differences in height when the gripping system has to deal with objects of different heights, simplifies accurate positioning on vacuum systems, makes it possible to position the suction cups on fragile items.

► **Anti-rotation level compensator G3/8" - internal spring**

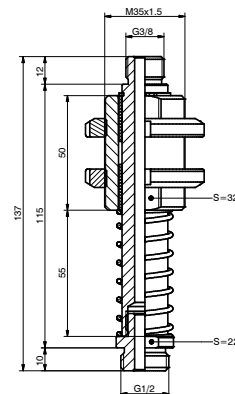


Code	A	B	L	Weight (g)
19P38.N.10.I	10	28	69	112.3
19P38.N.20.I	20	39	90	134.7
19P38.N.30.I	30	50	111	158.2
19P38.N.50.I	50	70	151	204.9

The anti-rotation level compensator G3/8" makes it possible to compensate for differences in height when the gripping system has to deal with objects of different heights, simplifies accurate positioning on vacuum systems, and makes it possible to position the suction cups on fragile items. The anti-rotation design makes it possible to use oval or rectangular suction cups.

LEVEL COMPENSATORS

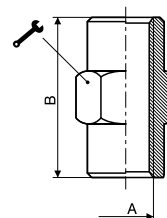
► **Standard level compensator G1/2"**



Code	Weight (g)
19P12.S.55.E	470 g

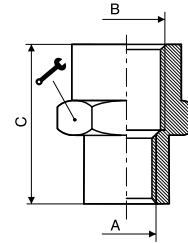
The standard level compensator G1/2" makes it possible to compensate for differences in height when the gripping system has to deal with objects of different heights, simplifies accurate positioning on vacuum systems, makes it possible to position the suction cups on fragile items.

► **Sleeves for antirotation level compensators**



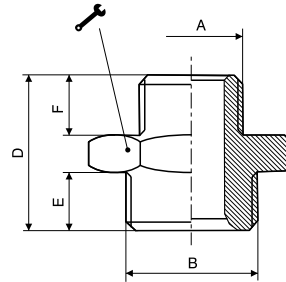
Code	A	B	Weight (g)
10338	G3/8"	23	34.9

► Sleeves for antirotation level compensators



Code	A	B	C		Weight (g)
1061838	G1/8"	G3/8"	20	22	27.4
1061438	G1/4"	G3/8"	23	22	30.5
1063812	G3/8"	G1/2"	27.5	26	35.1

► Cylindrical nipples for compensators



Code	A	B	D	E	F		Weight (g)
101M5M5	M5	M5	11.5	4	4	8	2.3
101M518	M5	G1/8"	14.5	6	4	14	8.4
1011818	G1/8"	G1/8"	16.5	6	6	14	9.2
1011814	G1/8"	G1/4"	19	8	6	17	14.6
1011838	G1/8"	G3/8"	20	9	6	19	19.7
1011414	G1/4"	G1/4"	21	8	8	17	15.7
1011438	G1/4"	G3/8"	22	9	8	19	22
1011412	G1/4"	G1/2"	23.5	10	8	24	36.5
1013838	G3/8"	G3/8"	23	9	9	19	24
1013812	G3/8"	G1/2"	24.5	10	9	24	38.1
1011212	G1/2"	G1/2"	25.5	10	10	24	40

VACUUM GENERATORS

Wide range of single stage and multistage vacuum generators with compact design and high reliability.



Range

The PNEUMAX range consists of single-stage and multistage equipment of various sizes and types; the single-stage generators use the Venturi effect in a single medium/high throughput nozzle and promptly generate vacuum, flow rate and suction values that are suitable for medium/light applications. Multistage generators having more than one nozzle (ejectors) in a line, using the kinetic energy that this layout generates to ensure, based on the flow rate, limited consumption of energy and attainment of a vacuum level equal to 90%, with various suction capabilities.

Single stage generators, very fast in switching pressure/vacuum, can also be equipped with a quick-release system

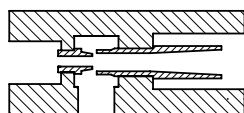
for highly cyclical applications. Multistage generators can often be accessorised with integrated management and control functions, such as for example electropneumatic control for power supply and power shut-off, quick-release blowing, a regulator to measure this release, and a vacuum switch to control the degree of vacuum generated. These latter generators can be installed as modules as well, creating actual stand-alone modules for decentralised vacuum generation and management for controlling more than one gripping element.

Types

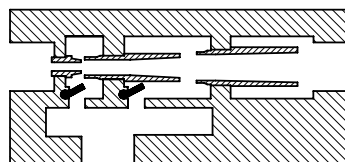
In terms of dimensions, functions and operation, we can categorise generators as one of two major types:

1) Single stage, compact and/or miniaturised, with pneumatic or electropneumatic control, for direct-contact installation with suction cup holders and suction cups.

2) Multistage with or without integrated functions, with pneumatic or electropneumatic control, for de-localised assembly and for controlling groups of suction cups.



Single stage section








Multistage section

Advantages:



- Limited air consumption to moments of use.
- Installation directly proximate to the suction cups.
- Short response times and high capacity.
- No limit to applications.
- Reduced weight and dimensions.
- High reliability.

Index


Single stage vacuum generators

	Series 1900 T06, T10, T14, T18	28		Series 1900 High flow - G3/8", G1/2", G3/4"	51
	Series 1900 M5	37		Series 1900 Adjustable vacuum generator conveyor	57
	Series 1900 G1/8", G1/4", G3/8"	39			

Multistage vacuum generators

	Series 1900 G1/4", G3/8"	59		Series 1900 High flow - G3/4", G1"	63
---	------------------------------------	-----------	---	--	-----------





Multifunction vacuum generators

	Series 1900	70
---	--------------------	-----------

Modular multifunction vacuum generators

	Series 1900	75
---	--------------------	-----------

Accessories and spare parts for multifunction vacuum generators "SE" - "ME"

	Mini solenoid valve 15 mm	80		Closing plate	80
	Connector	80		Digital vacuum switch	81

Single stage vacuum generators

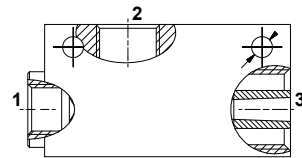
Single stage generators, robust reliable and compact suitable for applications which need the required degree of vacuum to be reached quickly with high flow rates.



VACUUM GENERATORS

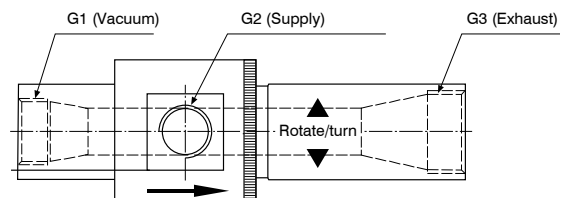
Performance and application

The single stage vacuum generator operates using the Venturi principle. By feeding compressed air into port 1 of the generator, a depression (Vacuum) is generated at port 2 with the air being drawn from port 2 discharged out at port 3. When the compressed supply to port 1 is interrupted, the suction (Vacuum) at port 2 is lost. The optimum inlet pressure is different for each type of single stage generator which ranges from 1 - 6 bar. These generator are generally used in conjunction with suction cups for gripping and the handling of porous and non-porous objects with limited suction flow required.



Adjustable version

Based on the Venturi principle, these differ from traditional ones, infact they have an ejector with a much larger diameter, and are adjustable. This feature makes possible to change the device's flow rate and degree of vacuum without affecting the inlet pressure.



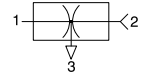
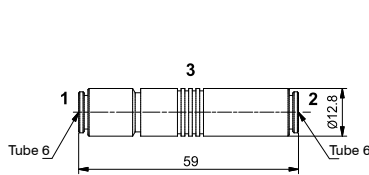


Series 1900

Single stage vacuum generator T06

Ordering code

19T06.S.05.HV.C0

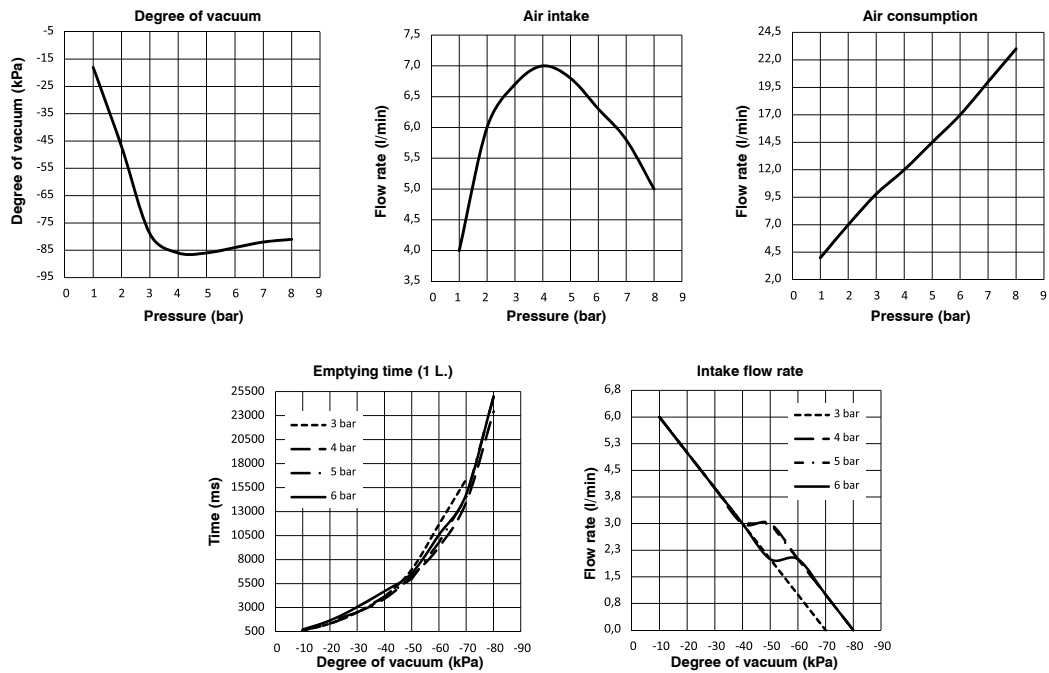


Single stage generators, with operation based on the Venturi principle; their main feature is the presence of feed pressure and connection for the vacuum on the same axis. This makes it possible to connect the suction cups directly to the generator or through the suction cup holder, so therefore still on the same axis with advantages in terms of system layout and simplicity.

Operational characteristics

Inlet pressure (bar)	2	4	6
Degree of Vacuum (-kPa)	47	86	84
Intake flow rate (l/min)	6	7	6
Air consumption (l/min)	7	12	17

Performance Charts



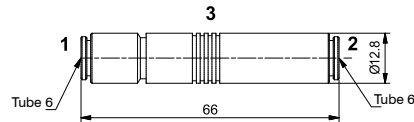
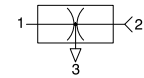
Technical characteristics

Fluid	Unlubricated filtered air
Pressure (bar)	1 ... 8
Temperature (°C)	-10 ... +80
Weight (g)	7
Noise (dBA)	68

VACUUM GENERATORS

► **Single stage vacuum generator T06**

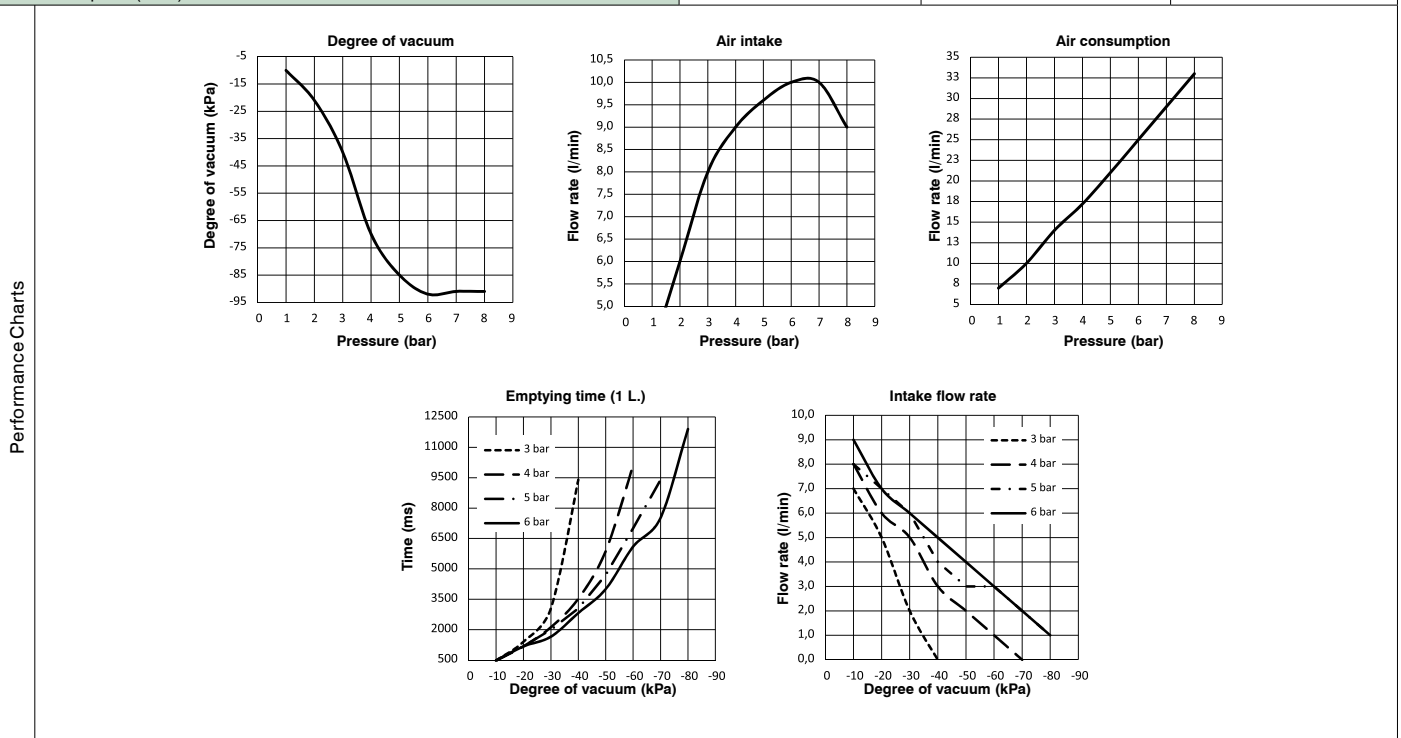
Ordering code
19T06.S.07.HV.C0



Single stage generators, with operation based on the Venturi principle; their main feature is the presence of feed pressure and connection for the vacuum on the same axis. This makes it possible to connect the suction cups directly to the generator or through the suction cup holder, so therefore still on the same axis with obvious advantages in terms of system layout and simplicity.

Operational characteristics

Inlet pressure (bar)	2	4	6
Degree of Vacuum (-kPa)	21	70	92
Intake flow rate (l/min)	6	9	10
Air consumption (l/min)	10	17	25



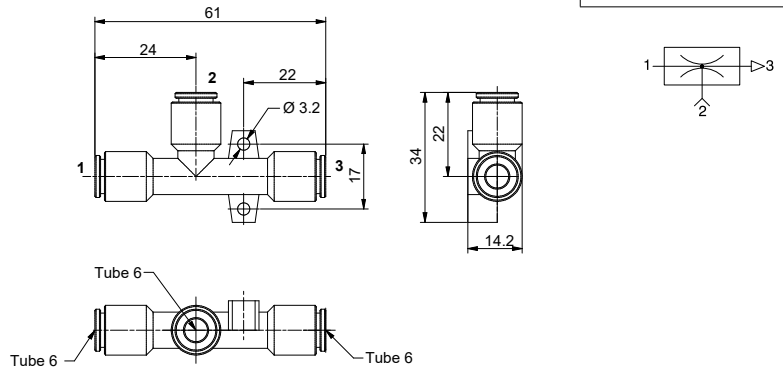
Technical characteristics

Fluid	Unlubricated filtered air
Pressure (bar)	1 ... 8
Temperature (°C)	-10 ... +80
Weight (g)	8
Noise (dBA)	68

VACUUM GENERATORS

Single stage vacuum generator T06

Ordering code
19T06.S.07.HV.ZZ



Single stage generators, robust and reliable, with compact dimensions and suitable for applications that need the required degree of vacuum to be reached quickly with limited air flows. Operating on the Venturi principle they have the vacuum connection orthogonal to the axis of supply and outlet. They can be connected directly to the suction cups and/or suction cup holder and can be applied in any position.

Operational characteristics			
Inlet pressure (bar)	2	4	6
Degree of Vacuum (-kPa)	36	87	91
Intake flow rate (l/min)	10	10	10
Air consumption (l/min)	22	30	38

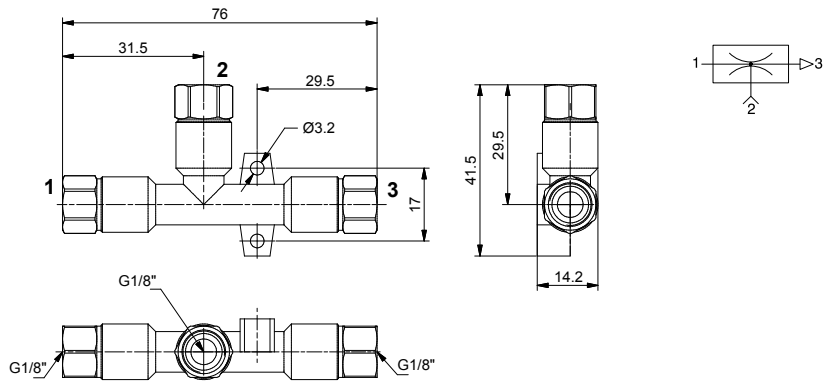
Technical characteristics	
Fluid	Unlubricated filtered air
Pressure (bar)	1 ... 8
Temperature (°C)	-10 ... +80
Weight (g)	12
Noise (dBA)	76

Performance Charts

VACUUM GENERATORS

► **Single stage vacuum generator T18**

Ordering code
19T18.S.07.HV.VV



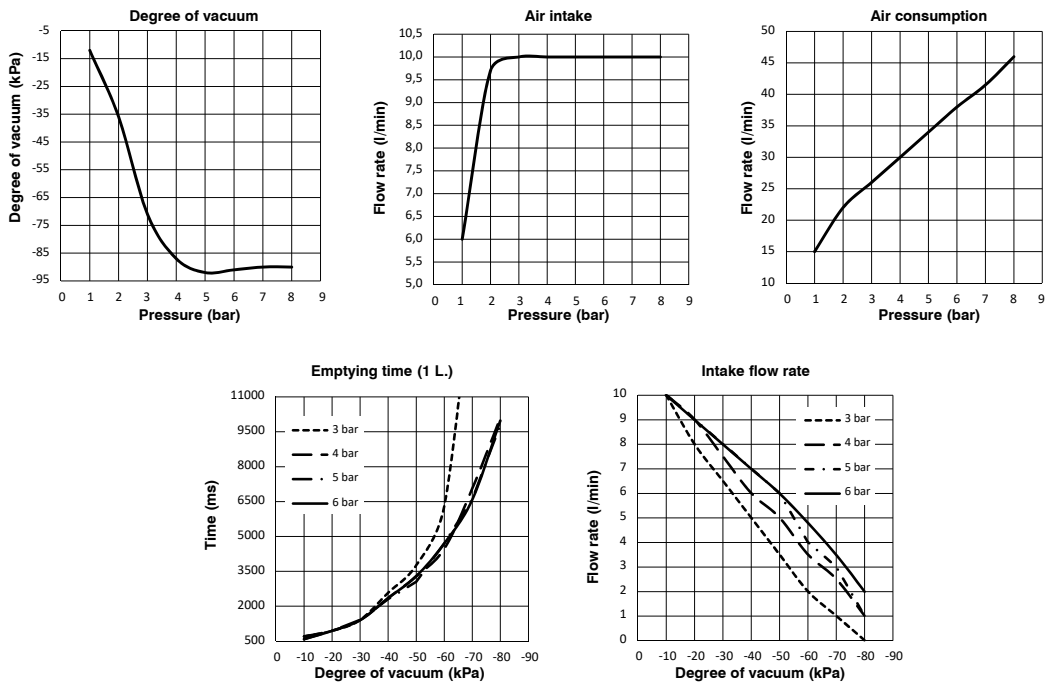
Single stage generators, robust and reliable, with compact dimensions and suitable for applications which need the required degree of vacuum to be reached quickly with limited air flows. Operating on the Venturi principle they have the vacuum connection orthogonal to the axis of supply and outlet. They can be connected directly to the suction cups and/or suction cup holder and applied in any position.

VACUUM GENERATORS

Operational characteristics

Inlet pressure (bar)	2	4	6
Degree of Vacuum (-kPa)	36	87	91
Intake flow rate (l/min)	10	10	10
Air consumption (l/min)	22	30	38

Performance Charts



Technical characteristics

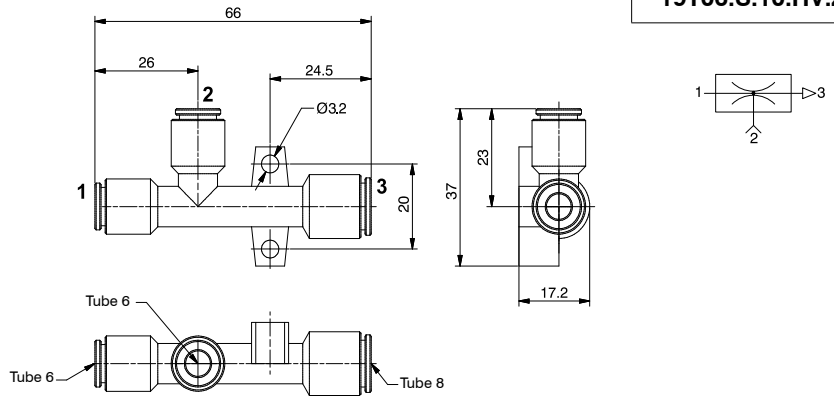
Fluid	Unlubricated filtered air
Pressure (bar)	1 ... 8
Temperature (°C)	-10 ... +80
Weight (g)	36
Noise (dBA)	77

Accessories

19S18.S	Silencer G1/8"
---------	----------------

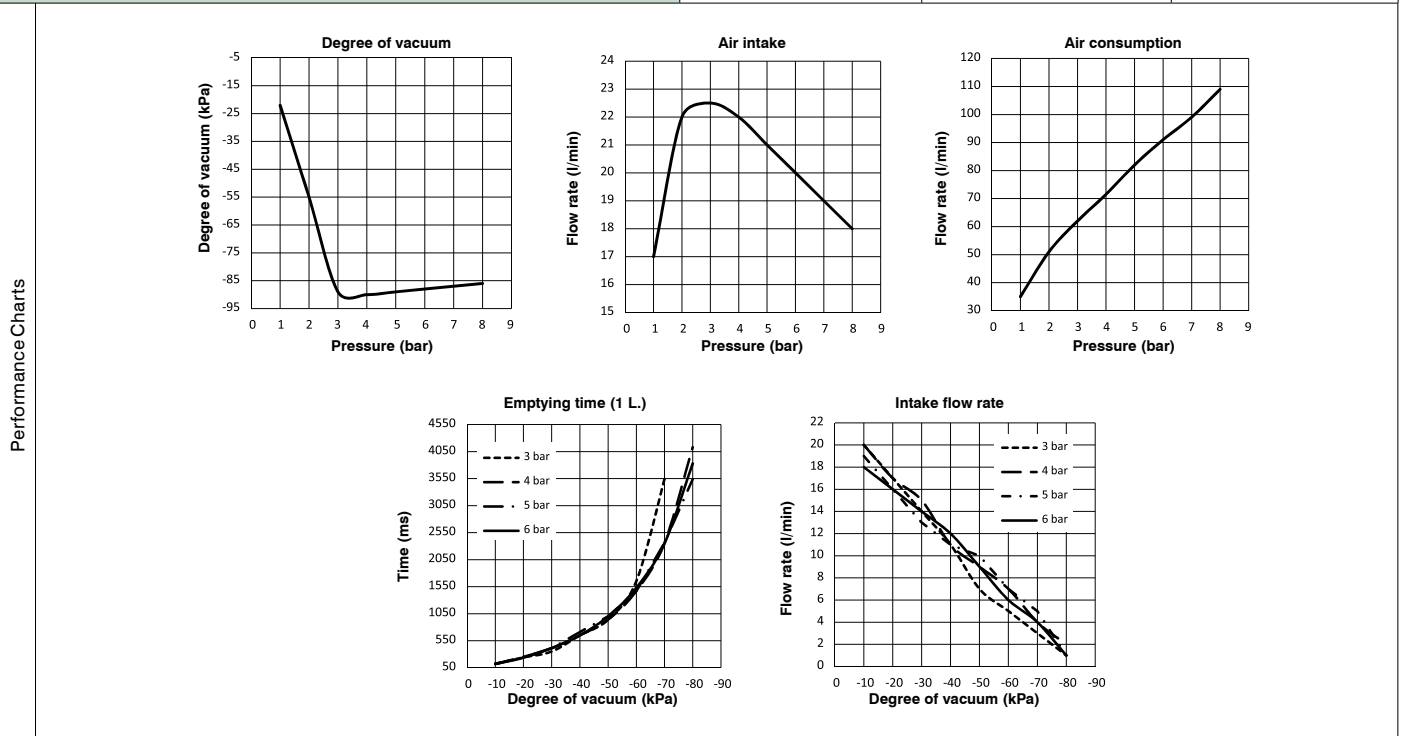
Single stage vacuum generator T06

Ordering code
19T06.S.10.HV.ZY



Single stage generators, robust and reliable, with compact dimensions and suitable for applications which need the required degree of vacuum to be reached quickly with limited air flows. Operating on the Venturi principle they have the vacuum connection orthogonal to the axis of supply and outlet. They can be connected directly to the suction cups and/or suction cup holder and applied in any position.

Operational characteristics			
Inlet pressure (bar)	2	4	6
Degree of Vacuum (-kPa)	55	90	88
Intake flow rate (l/min)	22	22	20
Air consumption (l/min)	51	72	91

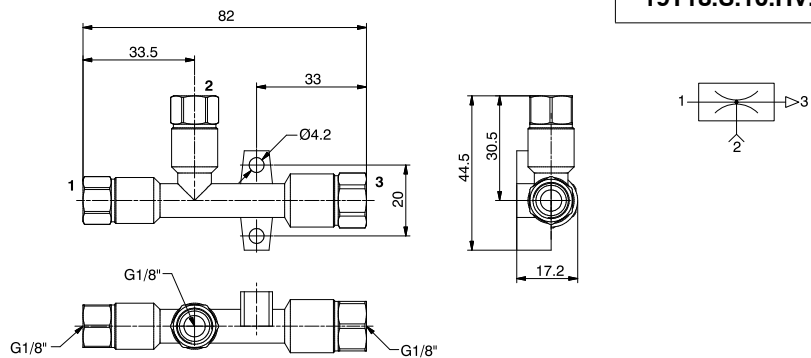


Technical characteristics	
Fluid	Unlubricated filtered air
Pressure (bar)	1 ... 8
Temperature (°C)	-10 ... +80
Weight (g)	15
Noise (dBA)	94

VACUUM GENERATORS

► **Single stage vacuum generator T18**

Ordering code
19T18.S.10.HV.VV



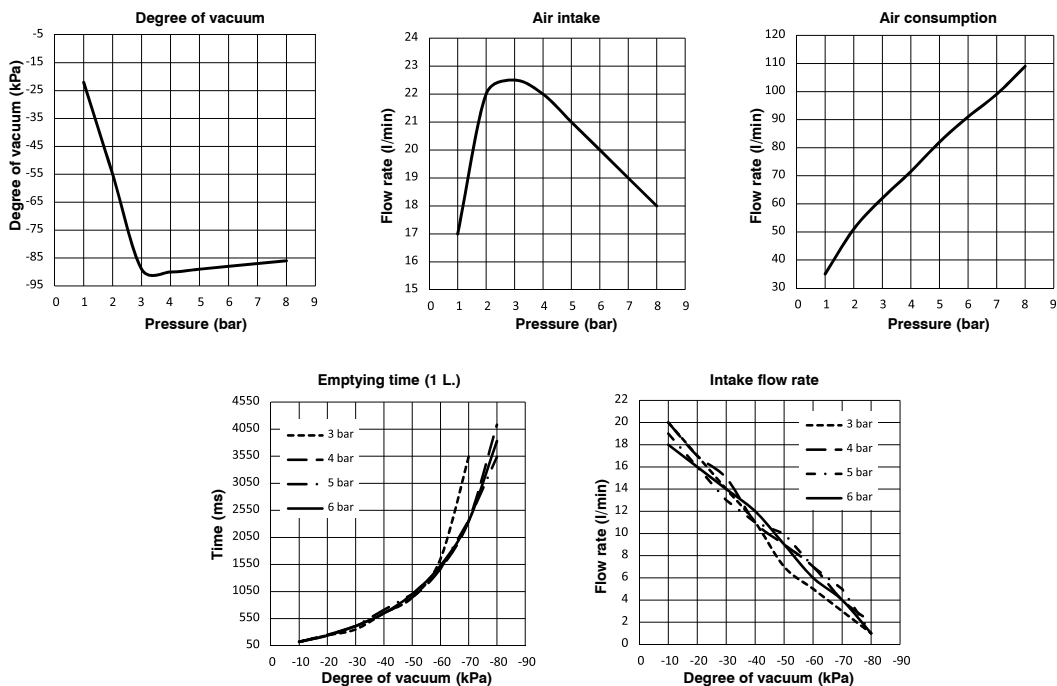
Single stage generators, robust and reliable, with compact dimensions and suitable for applications which need the required degree of vacuum to be reached quickly with limited air flows. Operating on the Venturi principle they have the vacuum connection orthogonal to the axis of supply and outlet. They can be connected directly to the suction cups and/or suction cup holder and applied in any position.

VACUUM GENERATORS

Operational characteristics

Inlet pressure (bar)	2	4	6
Degree of Vacuum (-kPa)	55	90	88
Intake flow rate (l/min)	22	22	20
Air consumption (l/min)	51	72	91

Performance Charts



Technical characteristics

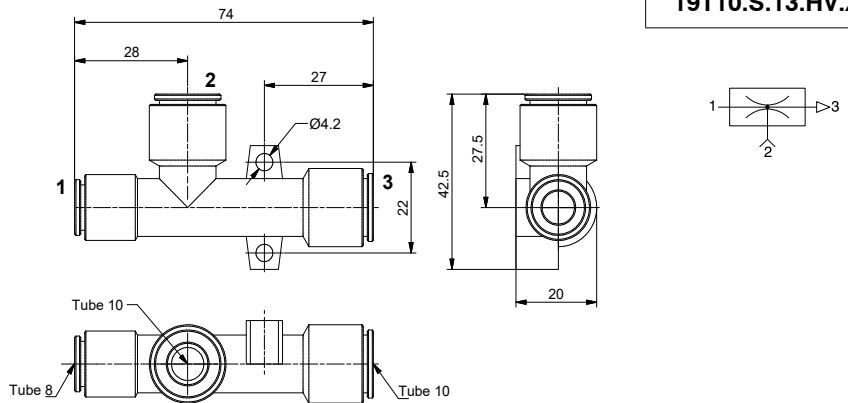
Fluid	Unlubricated filtered air
Pressure (bar)	1 ... 8
Temperature (°C)	-10 ... +80
Weight (g)	46
Noise (dBA)	87

Accessories

19S18.S	Silencer G1/8"
---------	----------------

Single stage vacuum generator T10

Ordering code
19T10.S.13.HV.XX



Single stage generators, robust and reliable, with compact dimensions and suitable for applications which need the required degree of vacuum to be reached quickly with limited air flows. Operating on the Venturi principle they have the vacuum connection orthogonal to the axis of supply and outlet. They can be connected directly to the suction cups and/or suction cup holder and applied in any position.

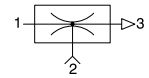
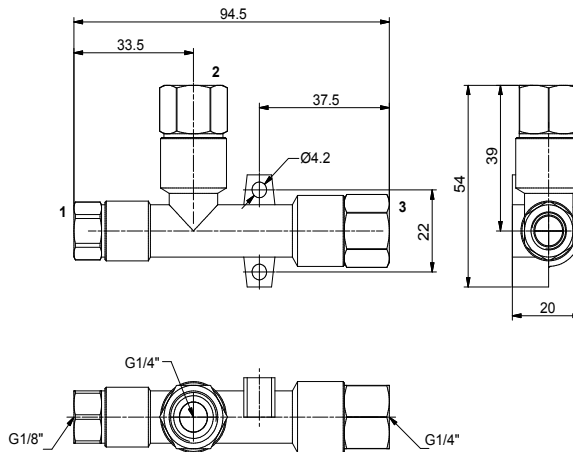
Operational characteristics			
Inlet pressure (bar)	2	4	6
Degree of Vacuum (-kPa)	47	92	91
Intake flow rate (l/min)	42	42	38
Air consumption (l/min)	86	118	145

Performance Charts

Technical characteristics	
Fluid	Unlubricated filtered air
Pressure (bar)	1 ... 8
Temperature (°C)	-10 ... +80
Weight (g)	25
Noise (dBA)	92

► **Single stage vacuum generator T14**

Ordering code
19T14.S.15.HV.UU



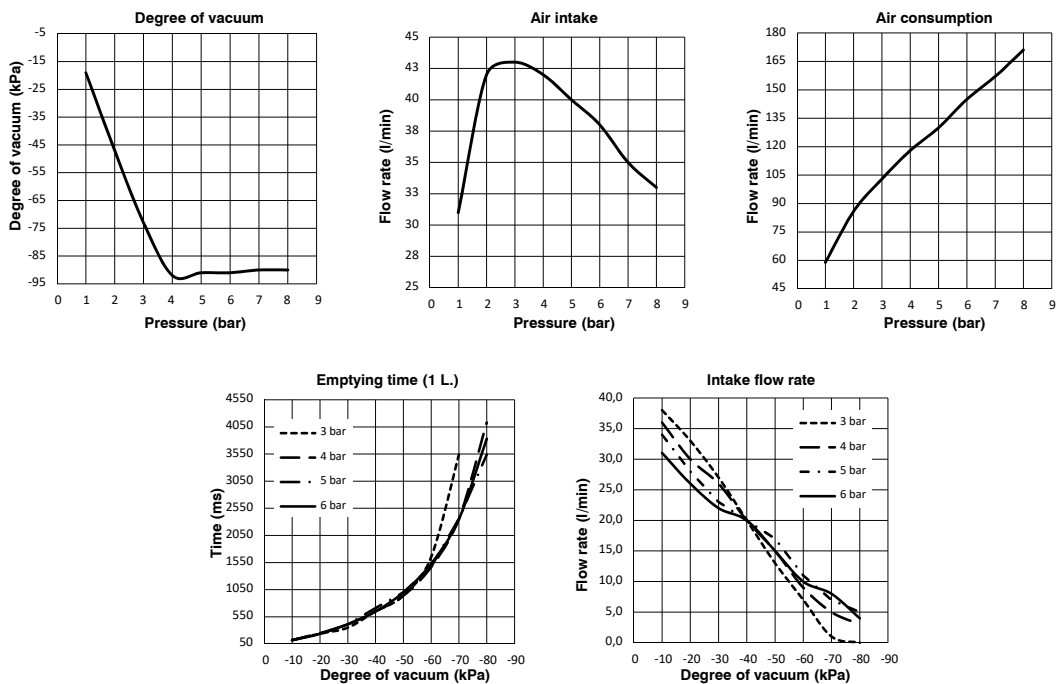
Single stage generators, robust and reliable, with compact dimensions and suitable for applications which need the required degree of vacuum to be reached quickly with limited air flows. Operating on the Venturi principle they have the vacuum connection orthogonal to the axis of supply and outlet. They can be connected directly to the suction cups and and/or suction cup holder and applied in any position.

VACUUM GENERATORS

Operational characteristics

Inlet pressure (bar)	2	4	6
Degree of Vacuum (-kPa)	47	92	91
Intake flow rate (l/min)	42	42	38
Air consumption (l/min)	86	118	145

Performance Charts



Technical characteristics

Fluid	Unlubricated filtered air
Pressure (bar)	1 ... 8
Temperature (°C)	-10 ... +80
Weight (g)	86
Noise (dBA)	96

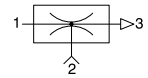
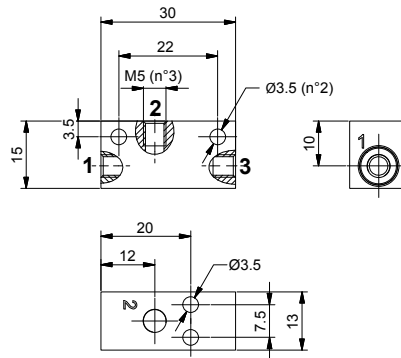
Accessories

19S14.S	Silencer G 1/4"
---------	-----------------



Single stage vacuum generator M5

Ordering code
19M05.S.05.SS.00



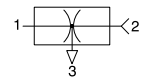
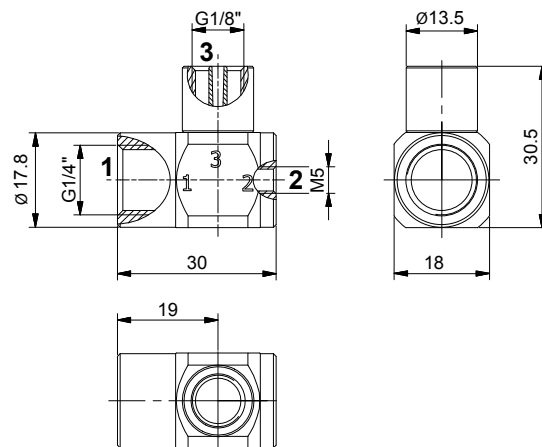
Single stage generators, robust and reliable, with compact dimensions and suitable for applications which need the required degree of vacuum to be reached quickly with limited air flows. Operating on the Venturi principle they have the vacuum connection orthogonal to the axis of supply and outlet. They can be connected directly to the suction cups and/or suction cup holder and applied in any position.

Operational characteristics			
Inlet pressure (bar)	2	4	6
Degree of Vacuum (-kPa)	35	66	85
Intake flow rate (l/min)	6	8	7
Air consumption (l/min)	2	8	11

Technical characteristics	
Fluid	Unlubricated filtered air
Pressure (bar)	1 ... 8
Temperature (°C)	-10 ... +80
Weight (g)	15

► **Single stage vacuum generator M5**

Ordering code
19M05.S.08.SS.L0



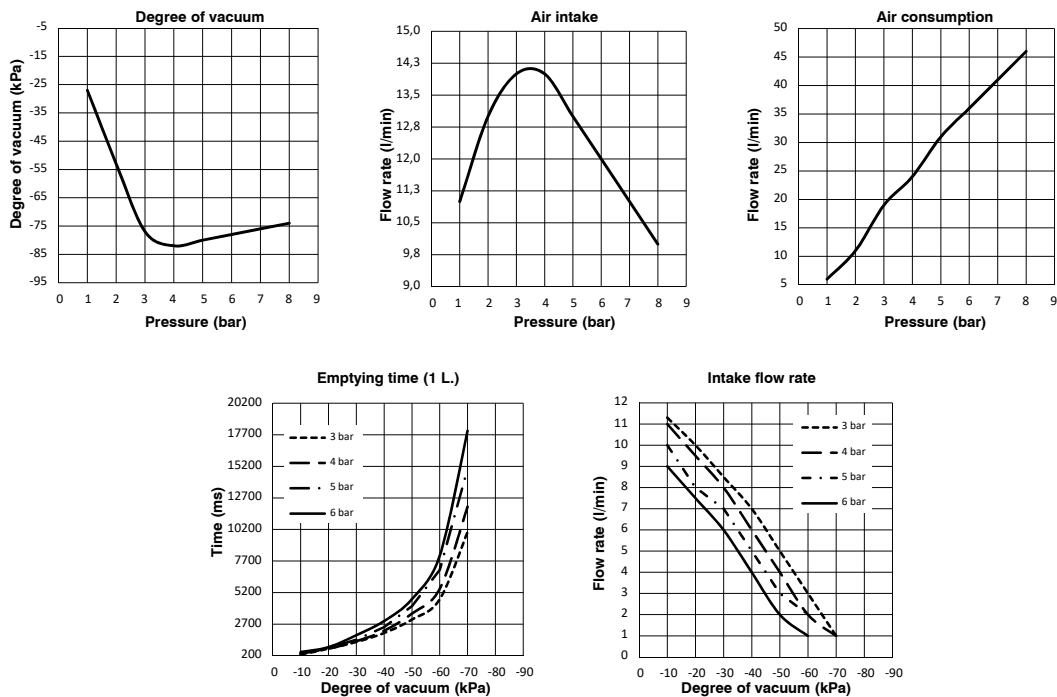
Single stage generators, with operation based on the Venturi principle; their main feature is the presence of feed pressure and connection for the vacuum on the same axis. This makes it possible to connect the suction cups directly to the generator or through the suction cup holder, so therefore still on the same axis with obvious advantages in terms of system layout and simplicity. The outlet connection has a female thread G 1/8".

VACUUM GENERATORS

Operational characteristics

Inlet pressure (bar)	2	4	6
Degree of Vacuum (-kPa)	53	82	78
Intake flow rate (l/min)	13	14	12
Air consumption (l/min)	11	24	36

Performance Charts



Technical characteristics

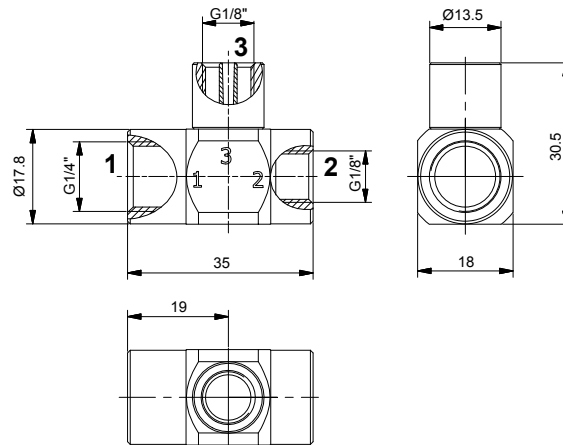
Fluid	Unlubricated filtered air
Pressure (bar)	1 ... 8
Temperature (°C)	-10 ... +80
Weight (g)	24

Accessories

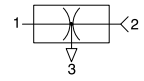
19S18.S	Silencer G1/8"
---------	----------------



Single stage vacuum generator G1/8"



Ordering code
19M18.S.08.SS.L0



Single stage generators, with operation based on the Venturi principle; their main feature is the presence of feed pressure and connection for the vacuum on the same axis. This makes it possible to connect the suction cups directly to the generator or through the suction cup holder, so therefore still on the same axis with obvious advantages in terms of system layout and simplicity. The outlet connection has a female thread G 1/8".

Operational characteristics			
Inlet pressure (bar)	2	4	6
Degree of Vacuum (-kPa)	53	82	78
Intake flow rate (l/min)	13	14	12
Air consumption (l/min)	11	24	36

Performance Charts

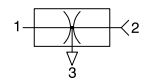
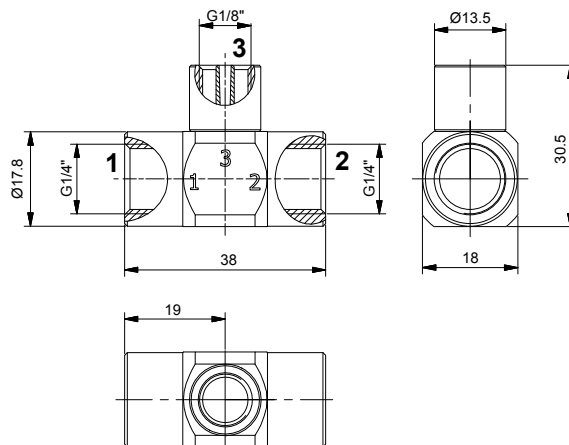
Technical characteristics	
Fluid	Unlubricated filtered air
Pressure (bar)	1 ... 8
Temperature (°C)	-10 ... +80
Weight (g)	26

VACUUM GENERATORS

Accessories	
19S18.S	Silencer G1/8"

► **Single stage vacuum generator G1/4"**

Ordering code
19M14.S.08.SS.L0



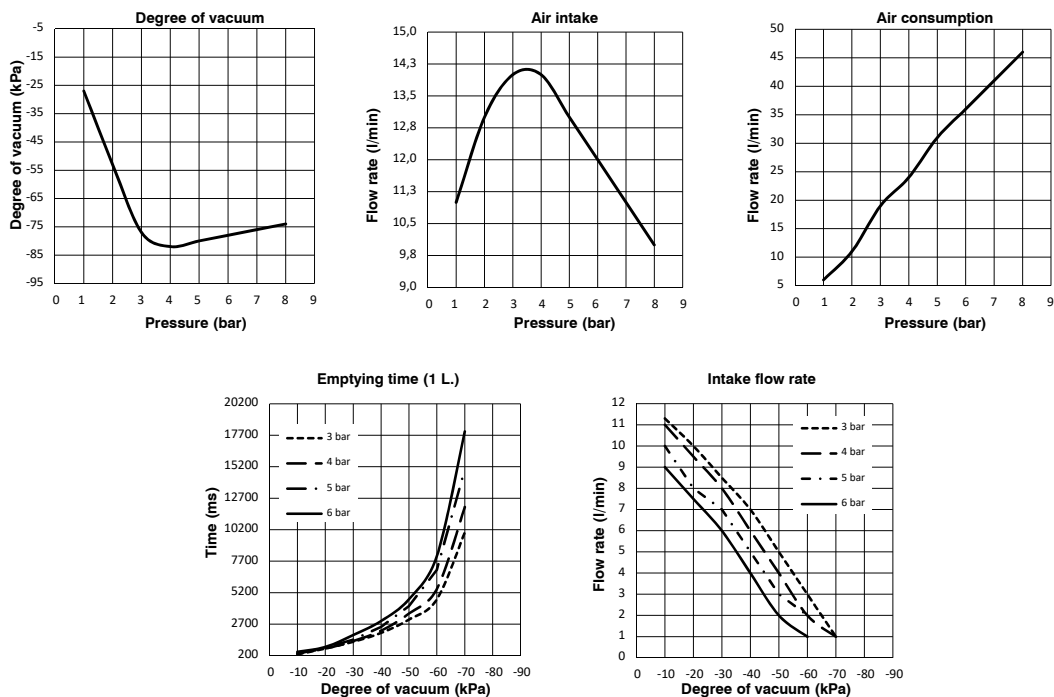
Single stage generators, with operation based on the Venturi principle; their main feature is the presence of feed pressure and connection for the vacuum on the same axis. This makes it possible to connect the suction cups directly to the generator or through the suction cup holder, so therefore still on the same axis with obvious advantages in terms of system layout and simplicity. The outlet connection has a female thread G 1/8".

Operational characteristics

Inlet pressure (bar)	2	4	6
Degree of Vacuum (-kPa)	53	82	78
Intake flow rate (l/min)	13	14	12
Air consumption (l/min)	11	24	36

VACUUM GENERATORS

Performance Charts



Technical characteristics

Fluid	Unlubricated filtered air
Pressure (bar)	1 ... 8
Temperature (°C)	-10 ... +80
Weight (g)	26

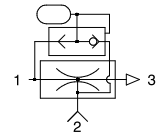
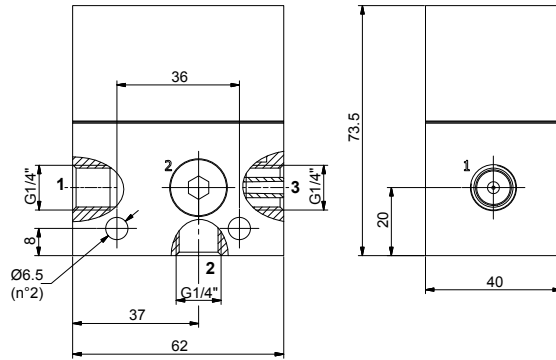
Accessories

19S18.S	Silencer G1/8"
---------	----------------



Single stage vacuum generator G1/4"

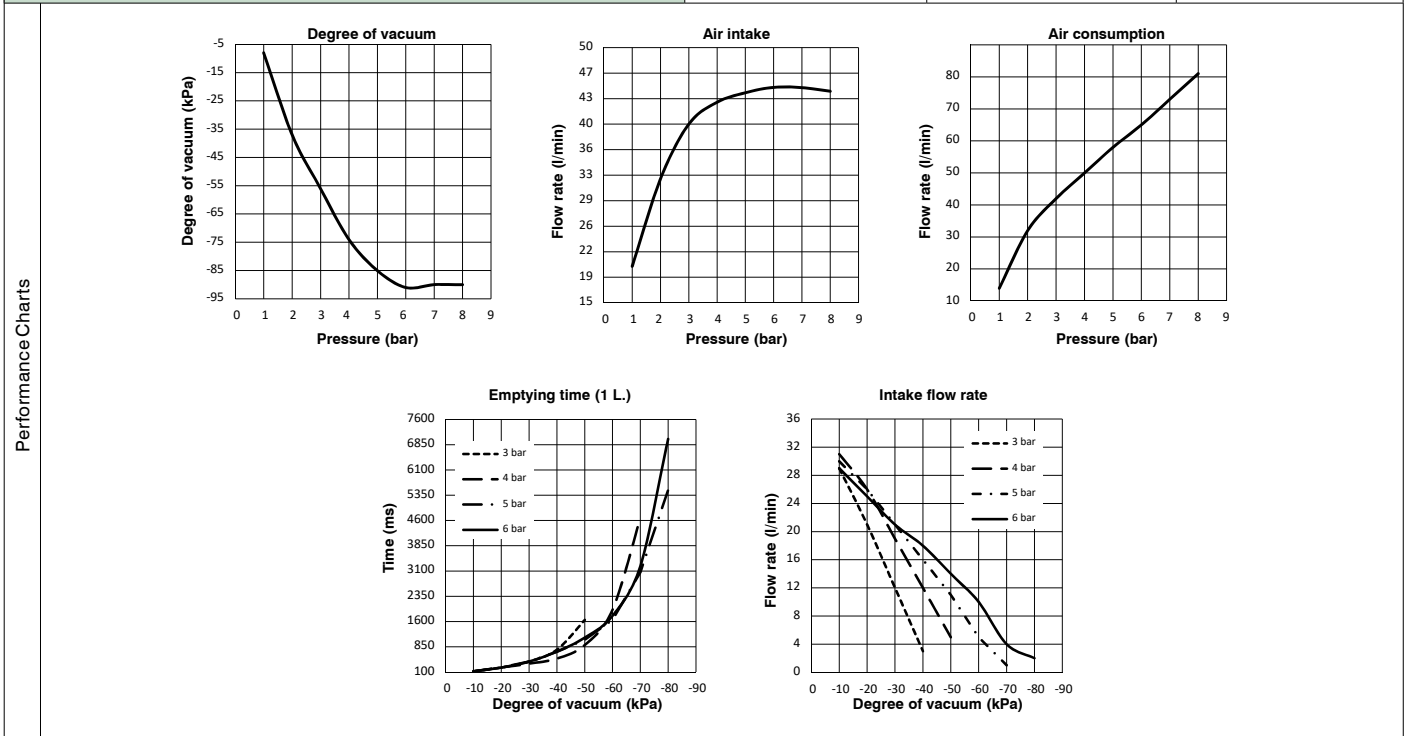
Ordering code
19M14.S.10.SS.E0



Single stage generators derived from standard traditional single-stage generators, complete with automatic release system. The pressure supply, in addition to generating the defined vacuum through the Venturi principle, supplies a chamber which serves as a pressure accumulator. When the supply stops, through a non-return valve, the accumulated pressure will be discharged automatically through the vacuum connection, ensuring quick detachment of the gripped piece.

Operational characteristics

Inlet pressure (bar)	2	4	6
Degree of Vacuum (-kPa)	37	74	91
Intake flow rate (l/min)	32	43	45
Air consumption (l/min)	32	50	75



Technical characteristics

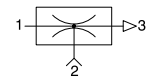
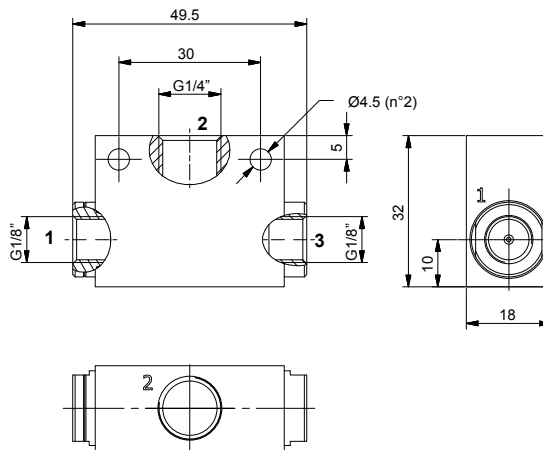
Fluid	Unlubricated filtered air
Pressure (bar)	1 ... 8
Temperature (°C)	-10 ... +80
Weight (g)	346

Accessories	
19S14.S	Silencer G1/4"

VACUUM GENERATORS

Single stage vacuum generator G1/4"

Ordering code
19M14.S.10.SS.R0



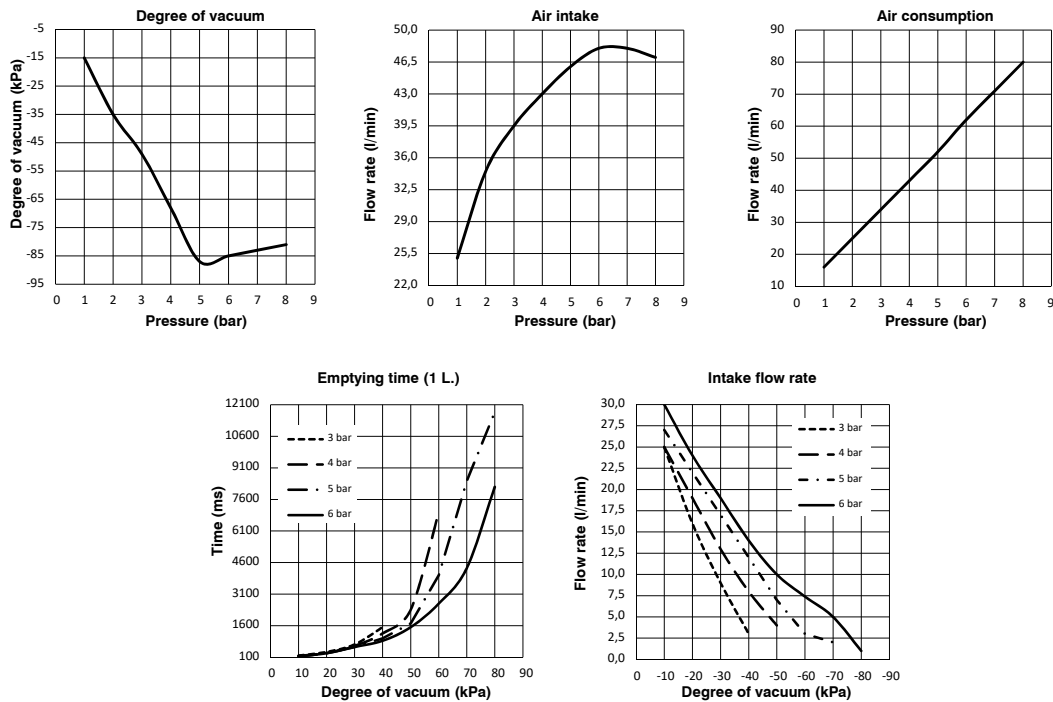
Single stage generators, robust and reliable, with compact dimensions and suitable for applications which need the required degree of vacuum to be reached quickly with limited air flows. Operating on the Venturi principle they have the vacuum connection orthogonal to the axis of supply and outlet. They can be connected directly to the suction cups and/or suction cup holder and applied in any position.

VACUUM GENERATORS

Operational characteristics

Inlet pressure (bar)	2	4	6
Degree of Vacuum (-kPa)	35	68	85
Intake flow rate (l/min)	35	43	48
Air consumption (l/min)	25	43	62

Performance Charts



Technical characteristics

Fluid	Unlubricated filtered air
Pressure (bar)	1 ... 8
Temperature (°C)	-10 ... +80
Weight (g)	55

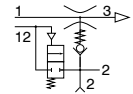
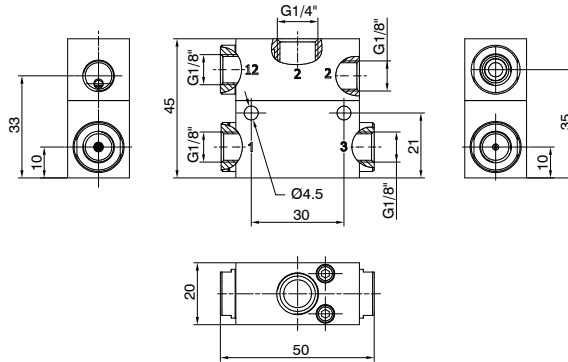
Accessories

19S18.S	Silencer G1/8"
---------	----------------



Single stage vacuum generator with built in vacuum retaining valve

Ordering code
19M14.S.10.SS.03



Single stage generators, robust and reliable, with compact dimensions and suitable for applications which require the vacuum to be reached quickly with limited air flow. Operating on the Venturi principle they have the vacuum connection orthogonal to the axis of supply and outlet. They can be connected directly to the suction cups or suction cup holder for the construction of a decentralized plant. Equipped with an integrated non-return valve, which holds the vacuum in sealed applications and breakdowns or lack of air supply and a flap valve for the quick release of the manipulated objects.

Operational characteristics			
Inlet pressure (bar)	2	4	6
Degree of Vacuum (-kPa)	35	68	85
Intake flow rate (l/min)	35	43	48
Air consumption (l/min)	25	43	62

Degree of vacuum

Air intake

Air consumption

Emptying time (1 L.)

Intake flow rate

Technical characteristics	
Fluid	Unlubricated filtered air
Pressure (bar)	1 ... 8
Temperature (°C)	-10 ... +80
Weight (g)	85

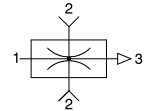
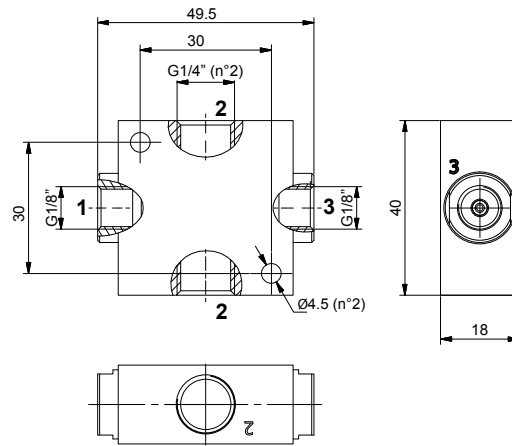
Performance Charts

VACUUM GENERATORS

Accessories	
19S18.S	Silencer G1/8"

► **Single stage vacuum generator G1/4"**

Ordering code
19M14.S.15.SS.RD



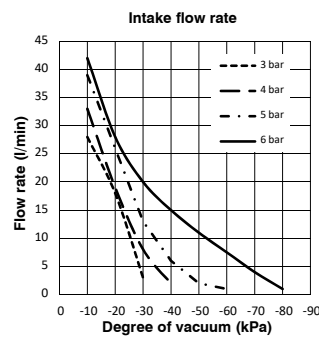
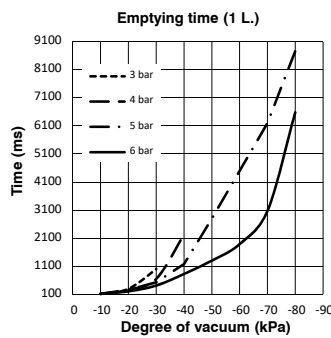
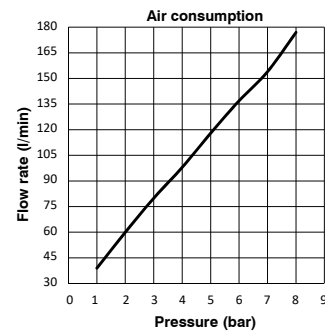
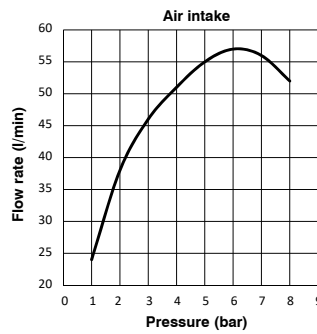
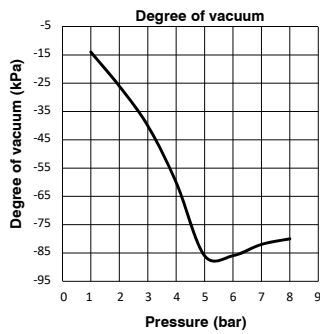
Single stage generators, robust and reliable, with compact dimensions and suitable for applications which need the required degree of vacuum to be reached quickly with limited air flows. Operating on the Venturi principle they have the vacuum connection orthogonal to the axis of supply and outlet. They can be connected directly to the suction cups and/or suction cup holder and applied in any position.

Operational characteristics

Inlet pressure (bar)	2	4	6
Degree of Vacuum (-kPa)	26	60	86
Intake flow rate (l/min)	38	51	57
Air consumption (l/min)	60	98	137

VACUUM GENERATORS

Performance Charts



Technical characteristics

Fluid	Unlubricated filtered air
Pressure (bar)	1 ... 8
Temperature (°C)	-10 ... +80
Weight (g)	68

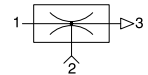
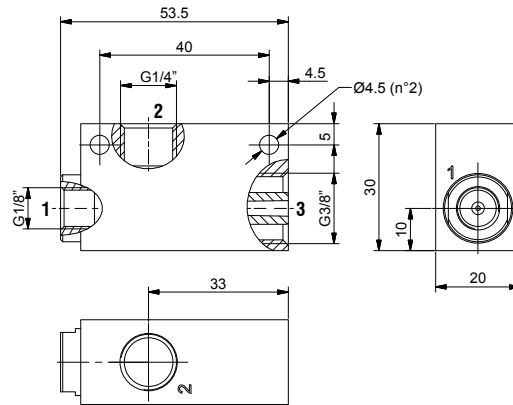
Accessories

19S18.S	Silencer G1/8"
---------	----------------



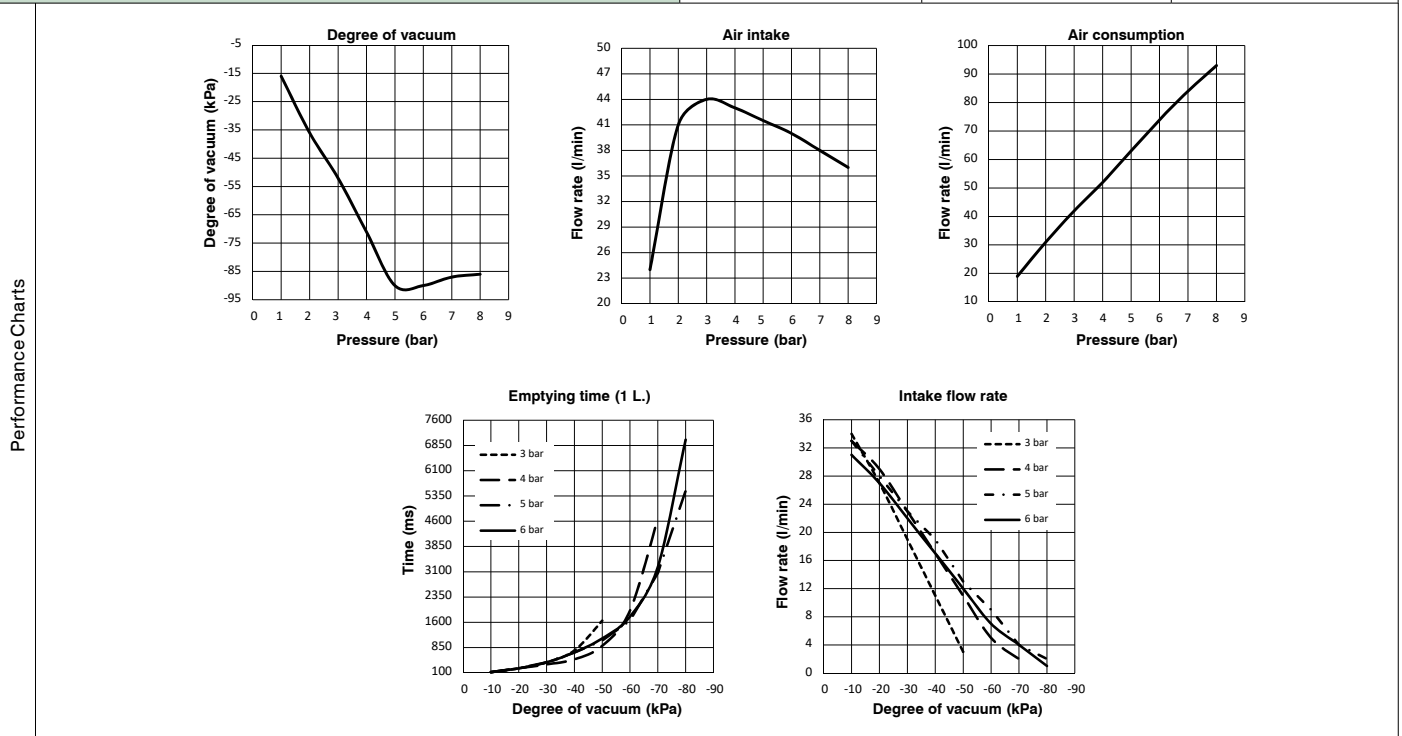
Single stage vacuum generator G1/4"

Ordering code
19M14.S.11.SS.00



Single stage generators, robust and reliable, with compact dimensions and suitable for applications which need the required degree of vacuum to be reached quickly with limited air flows. Operating on the Venturi principle they have the vacuum connection orthogonal to the axis of supply and outlet. They can be connected directly to the suction cups and/or suction cup holder and applied in any position.

Operational characteristics			
Inlet pressure (bar)	2	4	6
Degree of Vacuum (-kPa)	36	71	90
Intake flow rate (l/min)	41	43	40
Air consumption (l/min)	31	52	74



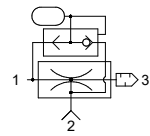
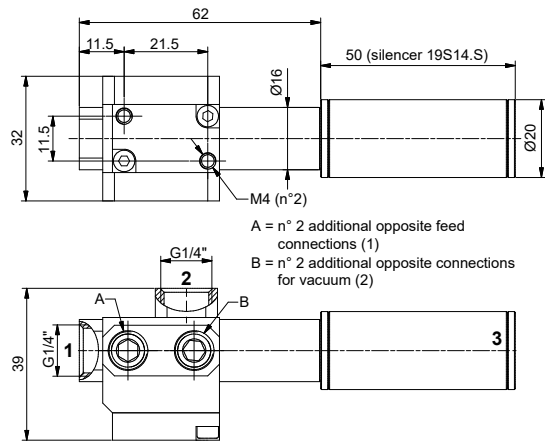
Technical characteristics	
Fluid	Unlubricated filtered air
Pressure (bar)	1 ... 8
Temperature (°C)	-10 ... +80
Weight (g)	67

Accessories	
19S38.S	Silencer G3/8"

VACUUM GENERATORS

Single stage vacuum generator G1/4"

Ordering code
19M14.S.12.SL.ES

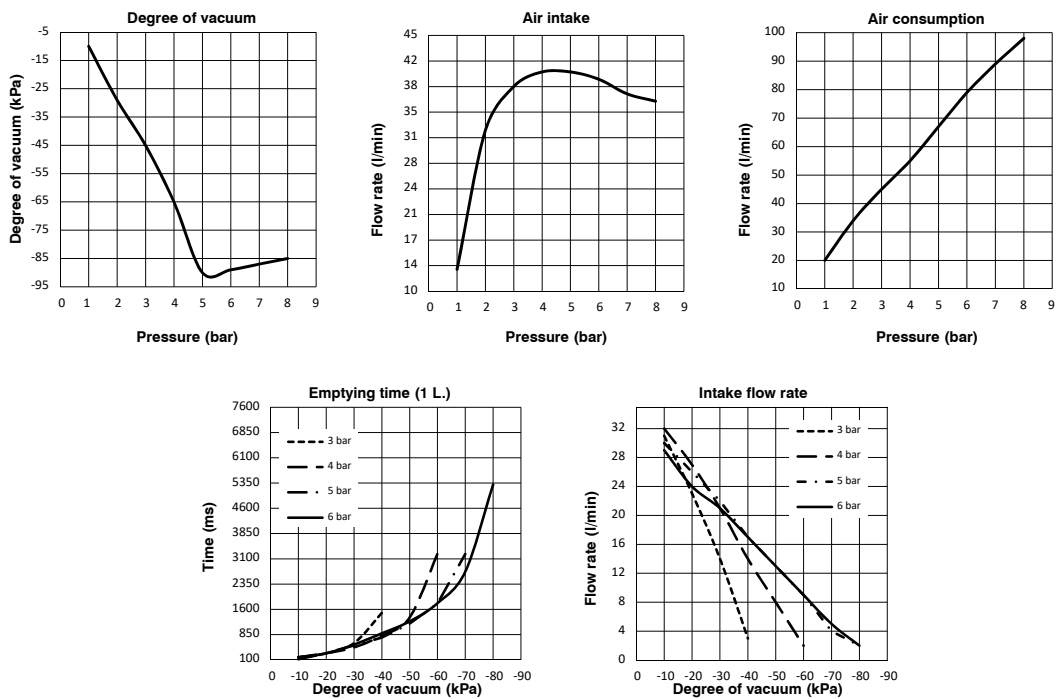


High-performance compact generator for high frequency applications; the presence of the integrated ejector ensures release capacity in the shortest possible time. The fact of it being extremely lightweight allows its application directly onto the robot gripping arms and/or mobile applications. Available with two flow rates in the same overall dimensions.

Operational characteristics

Inlet pressure (bar)	2	4	6
Degree of Vacuum (-kPa)	29	65	89
Intake flow rate (l/min)	32	40	39
Air consumption (l/min)	34	55	79

Performance Charts



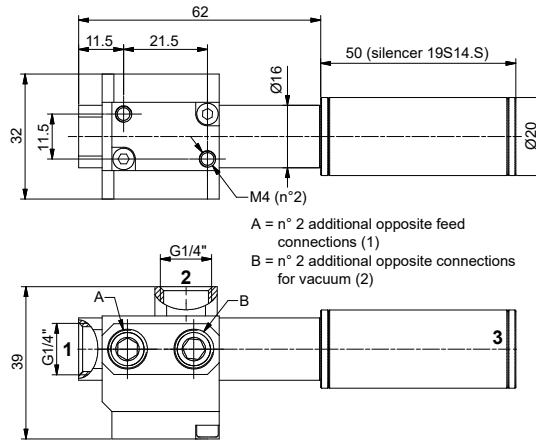
Technical characteristics

Fluid	Unlubricated filtered air
Pressure (bar)	1 ... 8
Temperature (°C)	-10 ... +80
Weight (g)	83

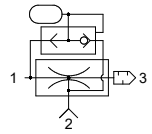
VACUUM GENERATORS



Single stage vacuum generator G1/4"



Ordering code
19M14.S.17.SL.ES



High-performance compact generator for high frequency applications; the presence of the integrated ejector ensures release capacity in the shortest possible time. The fact of it being extremely lightweight allows its application directly onto the robot gripping arms and/or mobile applications. Available with two flow rates in the same overall dimensions.

Operational characteristics			
Inlet pressure (bar)	2	4	6
Degree of Vacuum (-kPa)	34	65	91
Intake flow rate (l/min)	68	82	79
Air consumption (l/min)	78	125	176

Performance Charts

Degree of vacuum (kPa) vs Pressure (bar)

Air intake (l/min) vs Pressure (bar)

Air consumption (l/min) vs Pressure (bar)

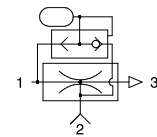
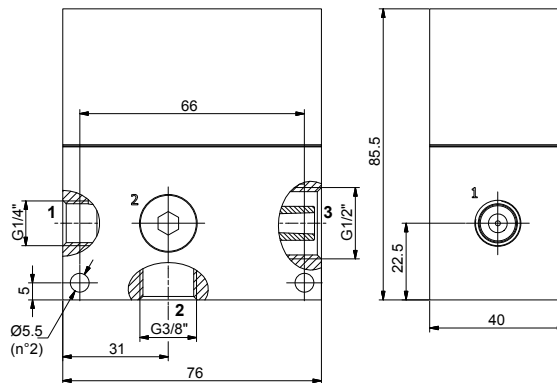
Emptying time (1 L.) vs Degree of vacuum (kPa)

Intake flow rate (l/min) vs Degree of vacuum (kPa)

Technical characteristics	
Fluid	Unlubricated filtered air
Pressure (bar)	1 ... 8
Temperature (°C)	-10 ... +80
Weight (g)	83

► **Single stage vacuum generator G3/8"**

Ordering code
19M38.S.14.SS.E0



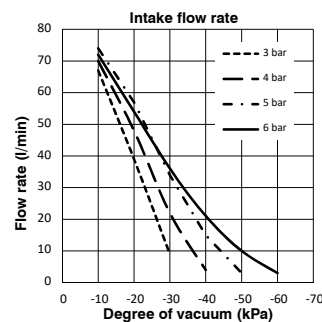
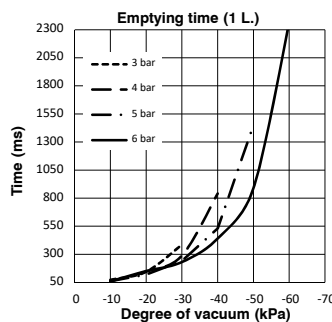
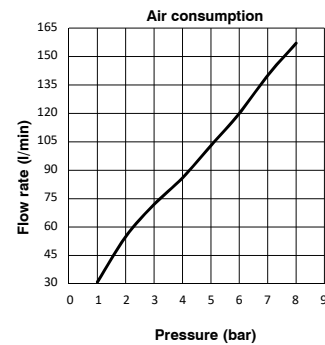
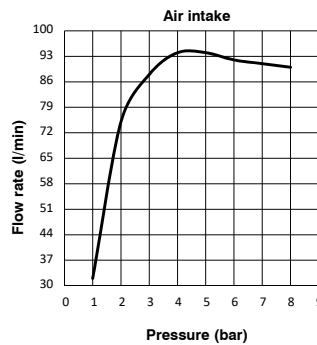
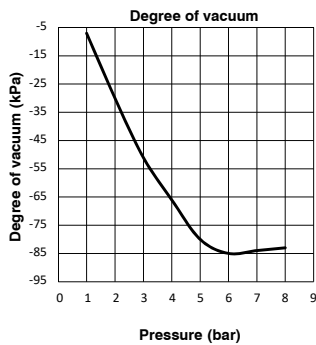
Single stage generators derived from standard traditional single-stage generators, complete with automatic release system. The pressure supply, in addition to generating the defined vacuum through the Venturi principle, supplies a chamber which serves as a pressure accumulator. When the supply stops, through a non-return valve, the accumulated pressure will be discharged automatically through the vacuum connection, ensuring quick detachment of the gripped piece.

VACUUM GENERATORS

Operational characteristics

Inlet pressure (bar)	2	4	6
Degree of Vacuum (-kPa)	30	66	85
Intake flow rate (l/min)	75	94	92
Air consumption (l/min)	55	86	120

Performance Charts



Technical characteristics

Fluid	Unlubricated filtered air
Pressure (bar)	1 ... 8
Temperature (°C)	-10 ... +80
Weight (g)	480

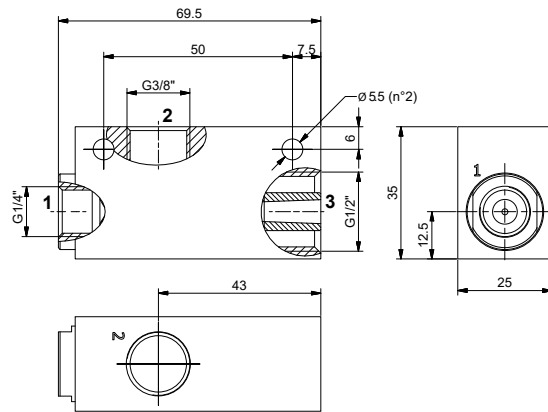
Accessories

19S12.R	Silencer G1/2"
---------	----------------



Single stage vacuum generator G3/8"

Ordering code
19M38.S.15.SS.00



Single stage generators, robust and reliable, with compact dimensions and suitable for applications which need the required degree of vacuum to be reached quickly with limited air flows. Operating on the Venturi principle they have the vacuum connection orthogonal to the axis of supply and outlet. They can be connected directly to the suction cups and/or suction cup holder and applied in any position.

Operational characteristics			
Inlet pressure (bar)	2	4	6
Degree of Vacuum (-kPa)	22	55	92
Intake flow rate (l/min)	100	114	112
Air consumption (l/min)	55	90	127

Degree of vacuum (kPa) vs Pressure (bar)

Flow rate (l/min) vs Pressure (bar)

Flow rate (l/min) vs Pressure (bar)

Time (ms) vs Degree of vacuum (kPa)

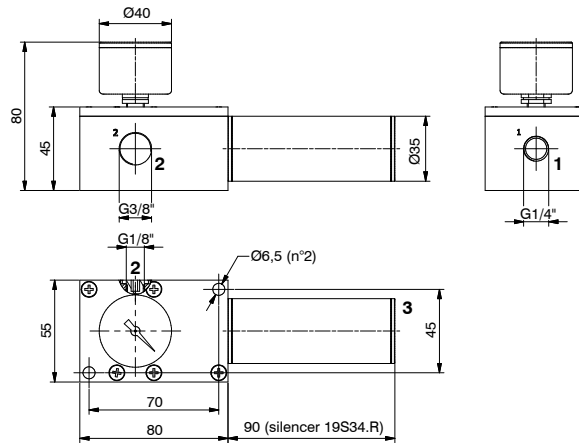
Flow rate (l/min) vs Degree of vacuum (kPa)

Technical characteristics	
Fluid	Unlubricated filtered air
Pressure (bar)	1 ... 8
Temperature (°C)	-10 ... +80
Weight (g)	122

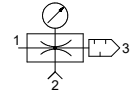
VACUUM GENERATORS

Accessories	
19S12.R	Silencer G1/2"

Single stage vacuum generator G3/8"



Ordering code	
19M38.S.18.HV.⊙	
OPTIONS	
⊙	VS = vacuum gauge + silencer
	OS = only silencer



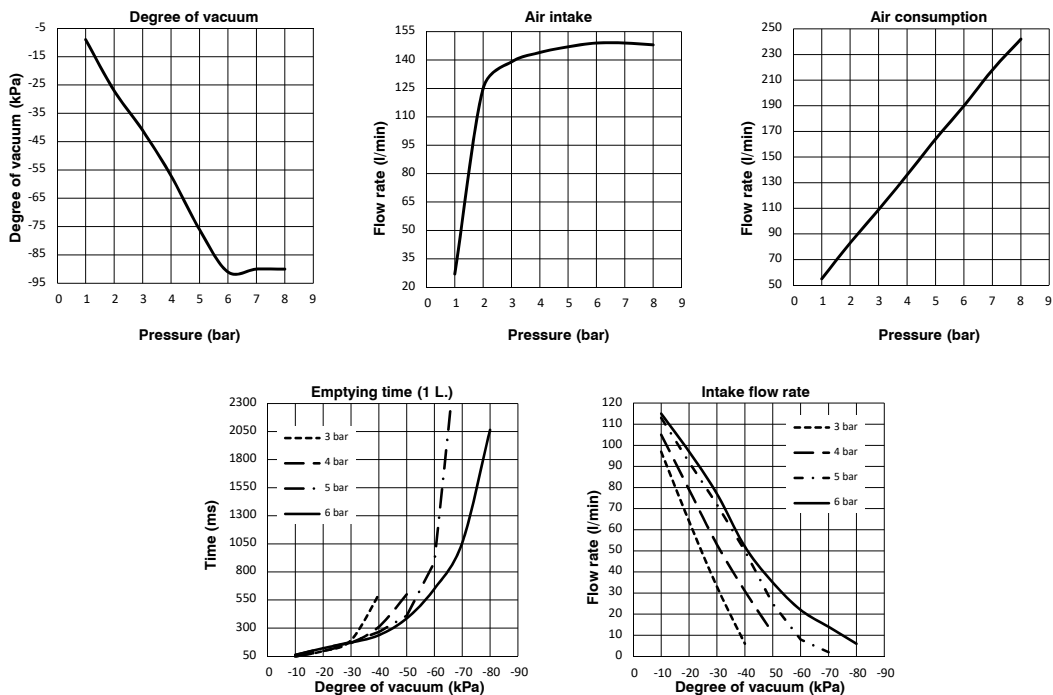
Single stage generator with high suction capacity due to a pair of nozzles mounted in parallel; they are particularly quiet thanks to a free-flow type silencer, standard-fitted with a vacuum gauge, and allows direct connection with a vacuum switch or alternatively a solenoid valve for quick detachment via direct blowing into the vacuum connection. Suitable for decentralised connection of one or more suction cups.

Operational characteristics

Inlet pressure (bar)	2	4	6
Degree of Vacuum (-kPa)	27	57	91
Intake flow rate (l/min)	125	144	149
Air consumption (l/min)	83	136	190

VACUUM GENERATORS

Performance Charts



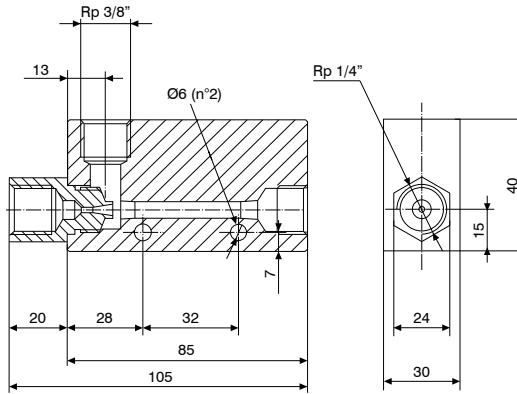
Technical characteristics

Fluid	Unlubricated filtered air
Pressure (bar)	1 ... 8
Temperature (°C)	-10 ... +80
Weight (g)	450

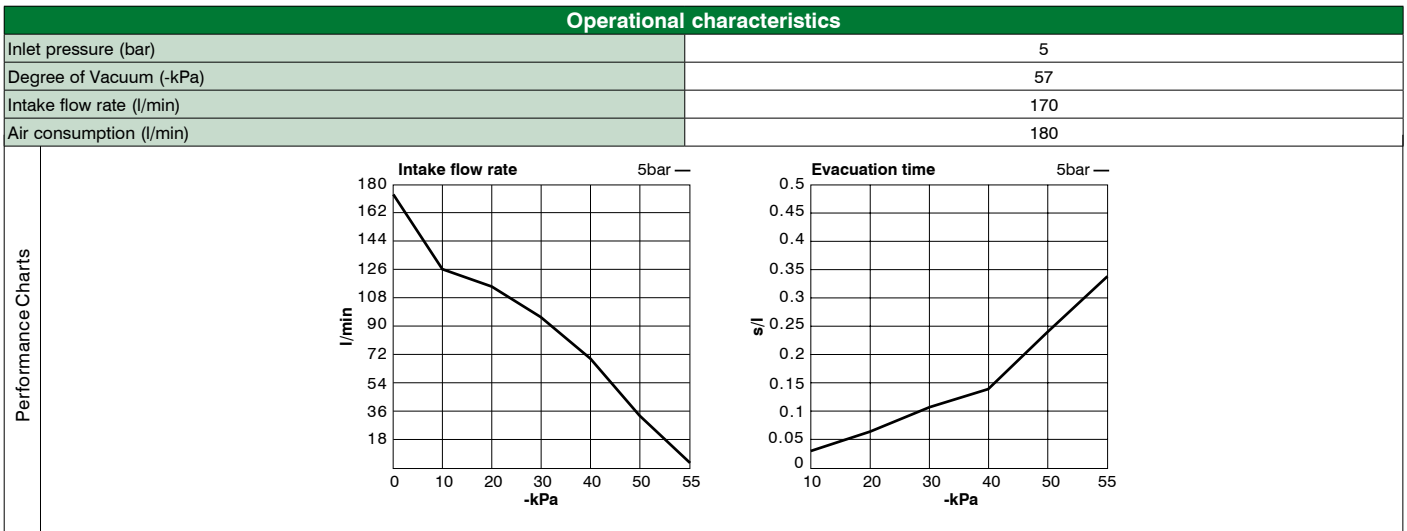


High-flow single stage vacuum generator G3/8"

Ordering code
19M38.S.20.HF.00



Single stage high suction power generators operating using a single large Venturi nozzle; particularly silent thanks to a free-flow silencer which is mounted separately. Suitable for use in dusty environments and in applications where a large suction capacity and an average degree of vacuum are required (57 -kPa).



VACUUM GENERATORS

Inlet pressure (bar)	Air consumption (l/min)	Evacuation time (s/l) at different levels of vacuum (-kPa)							Degree of Vacuum max. (-kPa)
		0	10	20	30	40	50	55	
5	180	170	125	115	95	70	35.5	7.5	57

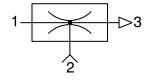
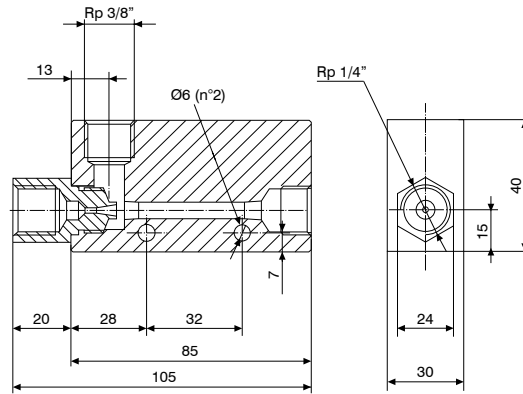
Inlet pressure (bar)	Air consumption (l/min)	Evacuation time (s/l) at different levels of vacuum (-kPa)						Degree of Vacuum max. (-kPa)
		10	20	30	40	50	55	
5	180	0.029	0.062	0.105	0.138	0.246	0.338	57

Technical characteristics	
Fluid	Unlubricated filtered air
Pressure (bar)	1 ... 6
Temperature (°C)	0 ... +60
Weight (g)	327
Noise (dBA)	72

Accessories	
19S12.S	Silencer G1/2"

► **High-flow single stage vacuum generator G3/8"**

Ordering code
19M38.S.20.HH.00



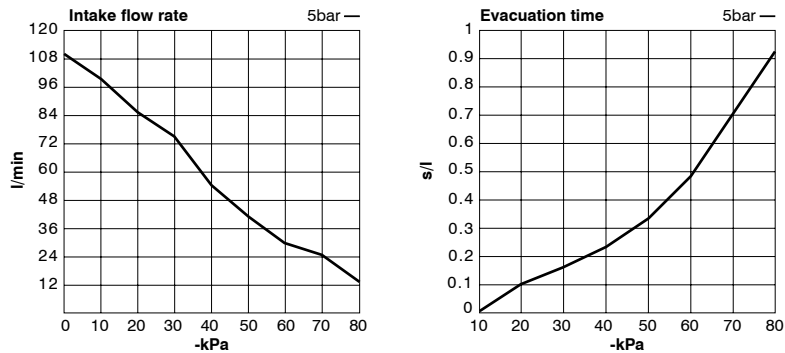
Single stage high suction power generators operating using a single large Venturi nozzle; particularly silent thanks to a free-flow silencer which is mounted separately. Suitable for use in dusty environments and in applications where a large suction capacity and a high degree of vacuum are required (92 -kPa).

VACUUM GENERATORS

Operational characteristics

Inlet pressure (bar)	5
Degree of Vacuum (-kPa)	92
Intake flow rate (l/min)	110
Air consumption (l/min)	180

Performance Charts



Inlet pressure (bar)	Air consumption (l/min)	Evacuation time (s/l) at different levels of vacuum (-kPa)										Degree of Vacuum max. (-kPa)
		0	10	20	30	40	50	60	70	80		
5	180	110	100	85	75	55	40.5	30	20	12	92	

Inlet pressure (bar)	Air consumption (l/min)	Evacuation time (s/l) at different levels of vacuum (-kPa)										Degree of Vacuum max. (-kPa)
		10	20	30	40	50	60	70	80			
5	180	0.043	0.1	0.167	0.23	0.338	0.492	0.707	0.923	92		

Technical characteristics

Fluid	Unlubricated filtered air
Pressure (bar)	1 ... 6
Temperature (°C)	0 ... +60
Weight (g)	327
Noise (dBA)	72

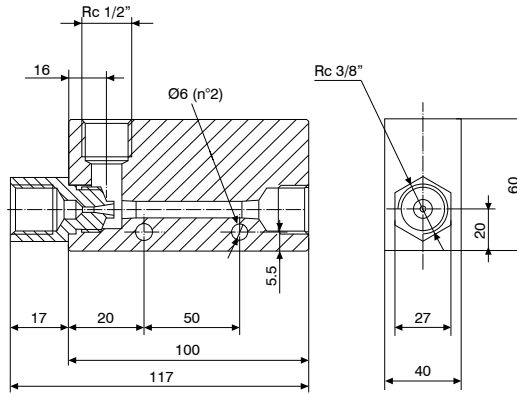
Accessories

19S12.S	Silencer G1/2"
---------	----------------

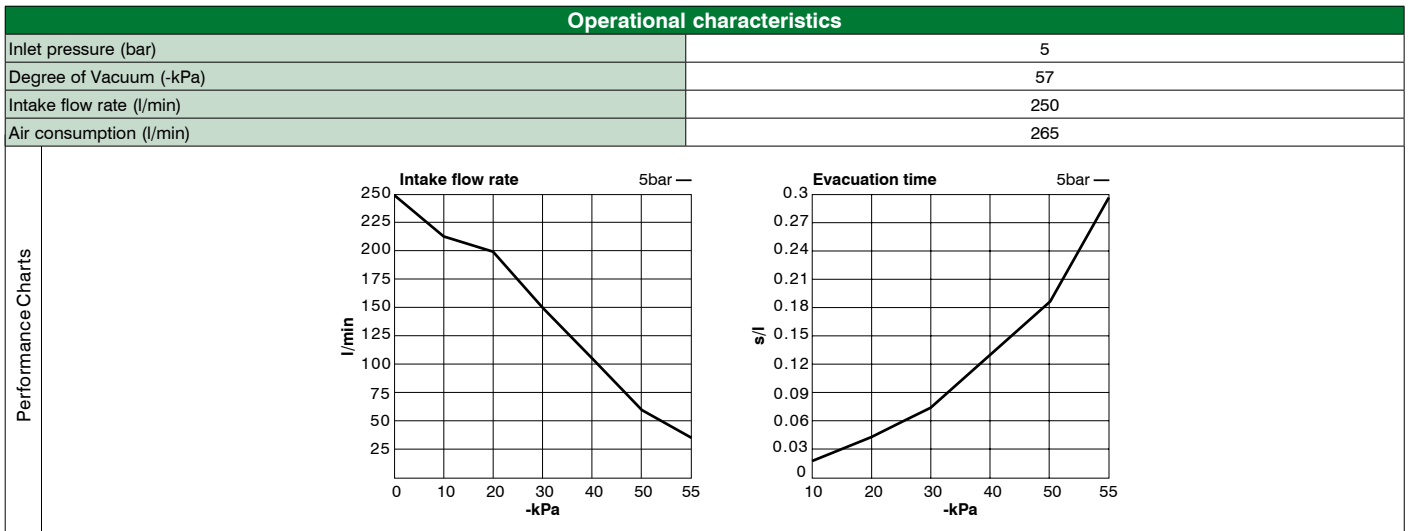


High-flow single stage vacuum generator G1/2"

Ordering code
19M12.S.25.HF.00



Single stage high suction power generators operating using a single large Venturi nozzle; particularly silent thanks to a free-flow silencer which is mounted separately. Suitable for use in dusty environments and in applications where a large suction capacity and an average degree of vacuum are required (57 -kPa).



VACUUM GENERATORS

Inlet pressure (bar)	Air consumption (l/min)	Evacuation time (s/l) at different levels of vacuum (-kPa)							Degree of Vacuum max. (-kPa)
		0	10	20	30	40	50	55	
5	265	250	215	200	150	105	60	36	57

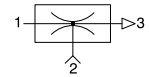
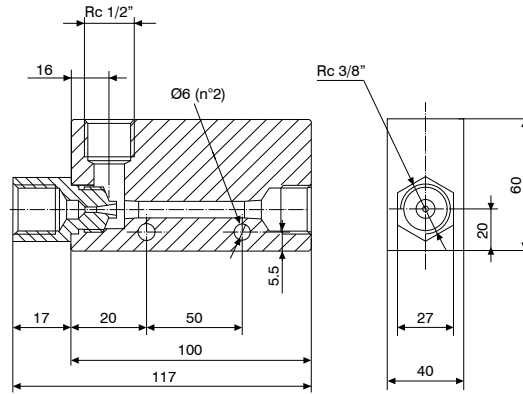
Inlet pressure (bar)	Air consumption (l/min)	Evacuation time (s/l) at different levels of vacuum (-kPa)							Degree of Vacuum max. (-kPa)
		10	20	30	40	50	55		
5	265	0.021	0.046	0.076	0.123	0.184	0.3	57	

Technical characteristics	
Fluid	Unlubricated filtered air
Pressure (bar)	1 ... 6
Temperature (°C)	0 ... +60
Weight (g)	660
Noise (dBA)	75

Accessories	
19S34.R	Silencer G3/4"

► **High-flow single stage vacuum generator G1/2"**

Ordering code
19M12.S.25.HH.00

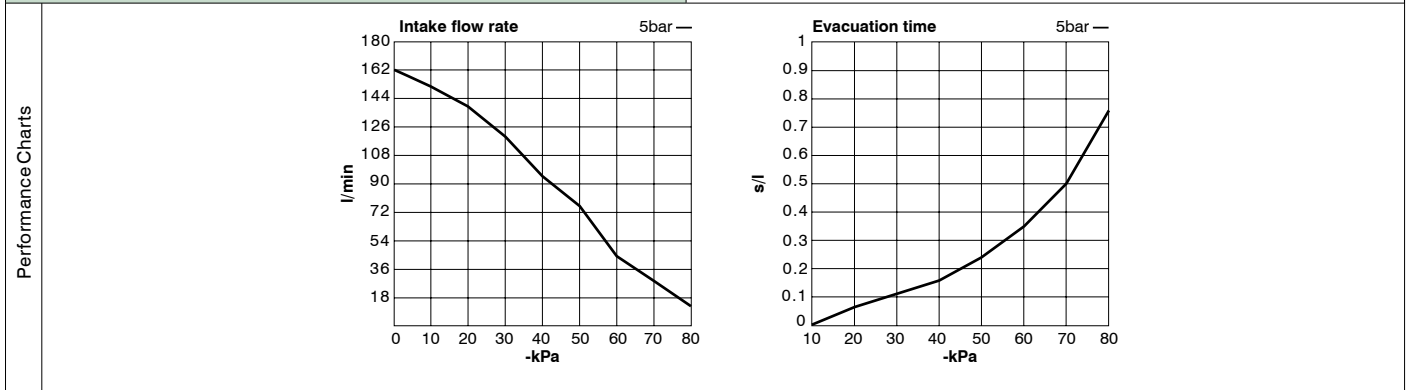


Single stage high suction power generators operating using a single large Venturi nozzle; particularly silent thanks to a free-flow silencer which is mounted separately. Suitable for use in dusty environments and in applications where a large suction capacity and a high degree of vacuum are required (92 -kPa).

VACUUM GENERATORS

Operational characteristics

Inlet pressure (bar)	5
Degree of Vacuum (-kPa)	92
Intake flow rate (l/min)	160
Air consumption (l/min)	265



Inlet pressure (bar)	Air consumption (l/min)	Evacuation time (s/l) at different levels of vacuum (-kPa)										Degree of Vacuum max. (-kPa)
		0	10	20	30	40	50	60	70	80		
5	265	160	155	140	120	95	72	47	28	15	92	

Inlet pressure (bar)	Air consumption (l/min)	Evacuation time (s/l) at different levels of vacuum (-kPa)										Degree of Vacuum max. (-kPa)
		10	20	30	40	50	60	70	80			
5	265	0.03	0.069	0.112	0.168	0.241	0.345	0.494	0.753	92		

Technical characteristics

Fluid	Unlubricated filtered air
Pressure (bar)	1 ... 6
Temperature (°C)	0 ... +60
Weight (g)	660
Noise (dBA)	75

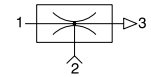
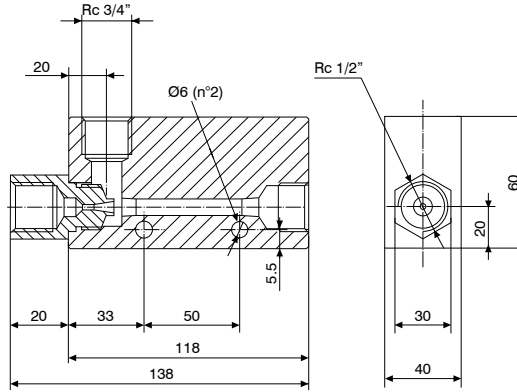
Accessories

19S34.R	Silencer G3/4"
---------	----------------

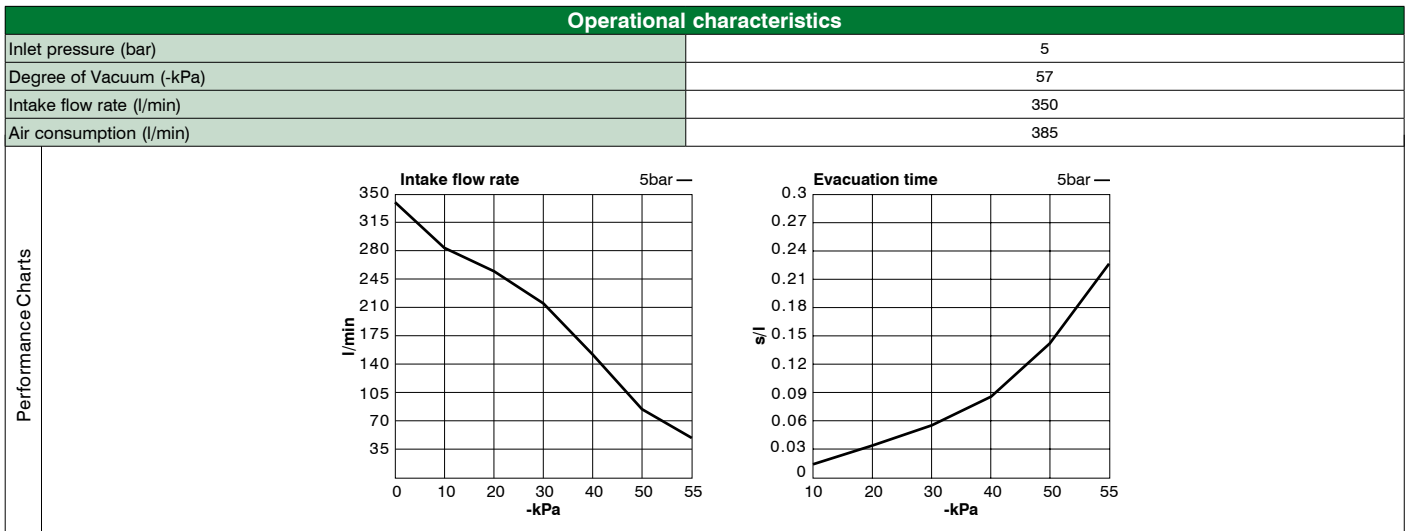


High-flow single stage vacuum generator G3/4"

Ordering code
19M34.S.30.HF.00



Single stage high suction power generators operating using a single large Venturi nozzle; particularly silent thanks to a free-low silencer which is mounted separately. Suitable for use in dusty environments and in applications where a large suction capacity and an average degree of vacuum are required (57 -kPa).



VACUUM GENERATORS

Inlet pressure (bar)	Air consumption (l/min)	Evacuation time (s/l) at different levels of vacuum (-kPa)							Degree of Vacuum max. (-kPa)
		0	10	20	30	40	50	55	
5	385	350	295	267	215	150	85	41	57

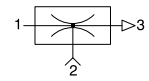
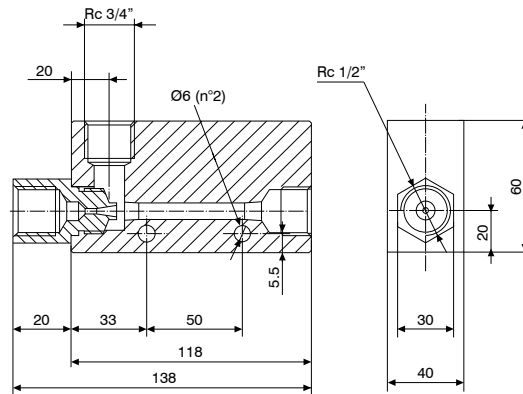
Inlet pressure (bar)	Air consumption (l/min)	Evacuation time (s/l) at different levels of vacuum (-kPa)						Degree of Vacuum max. (-kPa)
		10	20	30	40	50	55	
5	385	0.017	0.035	0.058	0.086	0.132	0.219	57

Technical characteristics	
Fluid	Unlubricated filtered air
Pressure (bar)	1 ... 6
Temperature (°C)	0 ... +60
Weight (g)	774
Noise (dBA)	75

Accessories	
19S34.R	Silencer G3/4"

► **High-flow single stage vacuum generator G3/4"**

Ordering code
19M34.S.30.HH.00

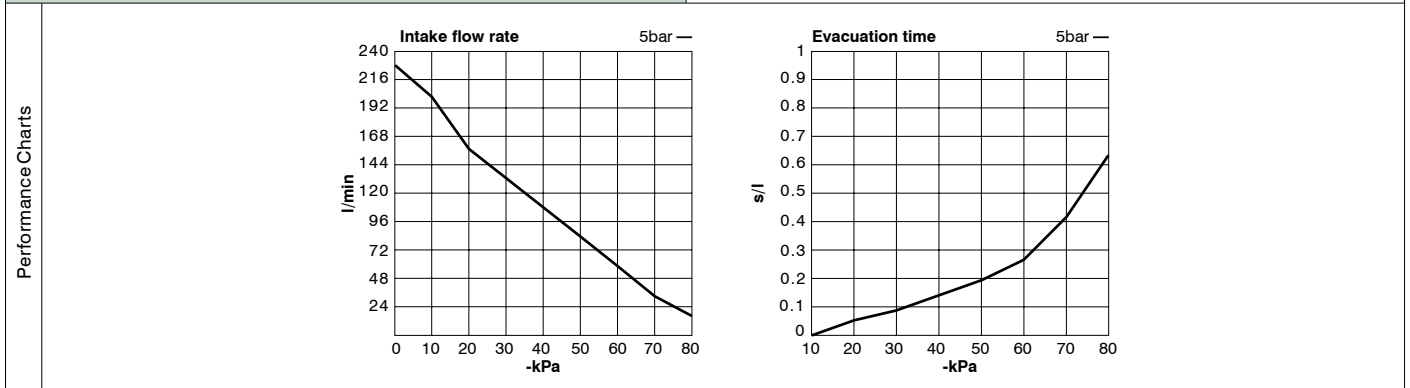


Single stage high suction power generators operating using a single large Venturi nozzle; particularly silent thanks to a free-flow silencer which is mounted separately. Suitable for use in dusty environments and in applications where a large suction capacity and a high degree of vacuum are required (92 -kPa).

VACUUM GENERATORS

Operational characteristics

Inlet pressure (bar)	5
Degree of Vacuum (-kPa)	92
Intake flow rate (l/min)	225
Air consumption (l/min)	385



Inlet pressure (bar)	Air consumption (l/min)	Evacuation time (s/l) at different levels of vacuum (-kPa)										Degree of Vacuum max. (-kPa)
		0	10	20	30	40	50	60	70	80		
5	385	225	200	160	135	105	78	55	33	19	92	

Inlet pressure (bar)	Air consumption (l/min)	Evacuation time (s/l) at different levels of vacuum (-kPa)										Degree of Vacuum max. (-kPa)
		10	20	30	40	50	60	70	80			
5	385	0.029	0.058	0.092	0.136	0.196	0.265	0.406	0.625	92		

Technical characteristics

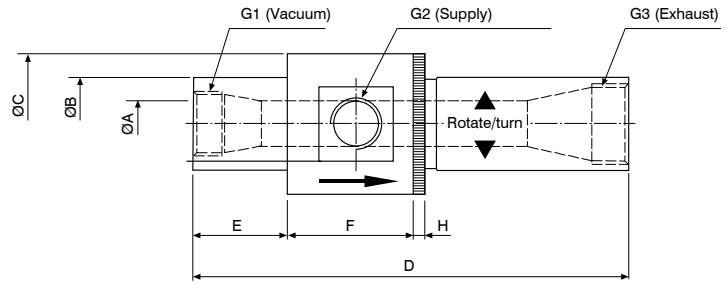
Fluid	Unlubricated filtered air
Pressure (bar)	1 ... 6
Temperature (°C)	0 ... +60
Weight (g)	774
Noise (dBA)	75

Accessories

19S34.R	Silencer G3/4"
---------	----------------



Adjustable vacuum generator conveyor



Code	ØA	ØB	ØC	D	E	F	H	G1	G2	G3	Weight (g)
19M14.S.00.SS.RG	6.5	19	32	94-105	22	32	5	G1/4"	G1/8"	G1/4"	96
19M38.S.00.SS.RG	10	25	45	155-165	38	45	5	G3/8"	G3/8"	G1/2"	271.6
19M12.S.00.SS.RG	13	32	51	155-160	38	51	5	G1/2"	G3/8"	G3/4"	377.2
19M34.S.00.SS.RG	19	38	58	175-189	38	51	5	G3/4"	G1/2"	G1"	526.8

Based on the Ventury principle, these differ from traditional ones because they have a much better ejector and are adjustable, this characteristic makes it possible to change the device's low rate and degree of vacuum without affecting the inlet pressure. Their special shape and their operating principle make them suitable for suction and the transfer of powders, granules, sawdust, metal chips, liquid or dry food products, etc., to control suction cups in the presence of large quantities of powders or liquids; these can also be used to suction smoke, coolant fog, water vapour, etc.

Operational characteristics	
Inlet pressure (bar)	4 ... 6 (Max. 7)
Max. Degree of Vacuum (-kPa)	84
Max. Intake flow rate (l/min)	3390
Max. Air consumption (l/min)	2550

Code	Degree of Vacuum (-kPa)	Inlet pressure (bar)				
		5.5				
		17	34	50	68	84
19M14.S.00.SS.RG	Air consumption (l/min)	112	169	233	276	342
19M38.S.00.SS.RG		176	327	485	595	825
19M12.S.00.SS.RG		340	625	795	940	1280
19M34.S.00.SS.RG		650	875	1250	1790	2550

Code	Degree of Vacuum (-kPa)	Inlet pressure (bar)				
		5.5				
		17	34	50	68	84
19M14.S.00.SS.RG	Intake flow rate (l/min)	280	240	200	162	125
19M38.S.00.SS.RG		846	735	620	520	395
19M12.S.00.SS.RG		1695	1325	1130	990	650
19M34.S.00.SS.RG		3390	2460	1970	1440	1130

Accessories		Description
19S14.S	Silencer G1/4"	for 19M14.S.00.SS.RG
19S12.R	Silencer G1/2"	for 19M38.S.00.SS.RG
19S34.R	Silencer G3/4"	for 19M12.S.00.SS.RG
19S10.R	Silencer G1"	for 19M34.S.00.SS.RG

VACUUM GENERATORS

Multistage vacuum generators

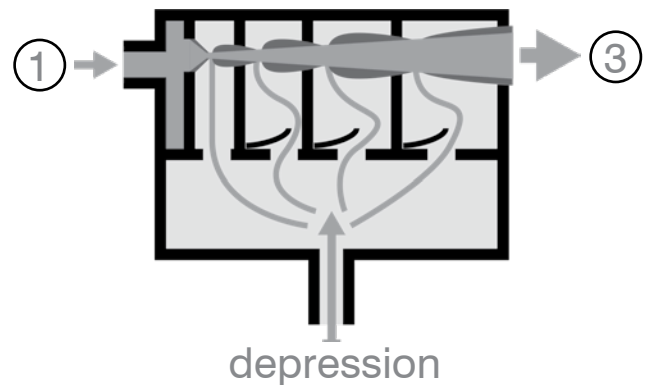
Compact generators, composed of several modules according to the required performance to obtain high suction capacity with low consumption and high vacuum degrees.



Performance and application

The multistage vacuum generators base their operating characteristics on the Venturi principle. The compressed air is manipulated to flow at high speed in port 1 which constitutes the first stage of the vacuum generator and in the subsequent stages, following the entrainment of the surrounding air, a depression is created.

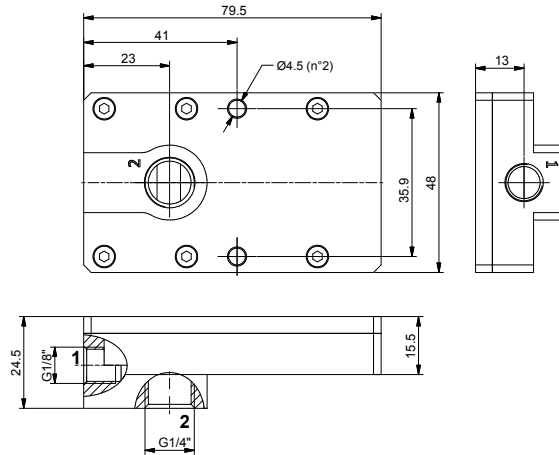
The advantage of multistage vacuum generator is in the optimization of the kinetic energy. Injecting the compressed air through multiple nozzles generates an improve volumetric flow rate (Compared to a single stage unit) whilst using a lower consumption of compressed air.



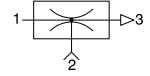


Series 1900

Multistage vacuum generator G1/4"



Ordering code
19M14.M.09.SS.00



As a function of the modules (nozzles 2-4- 6-8) used, offer exactly the right performance for the most varied of industrial applications. They ensure a low level of noise thanks to the sound-absorbent material inside of them.

Operational characteristics			
Inlet pressure (bar)	2	4	6
Degree of Vacuum (-kPa)	41	89	87
Intake flow rate (l/min)	26	50	55
Air consumption (l/min)	19	35	47

Degree of vacuum

Air intake

Air consumption

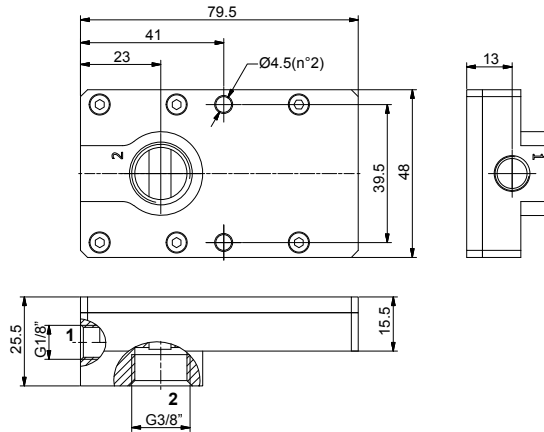
Emptying time (1 L.)

Intake flow rate

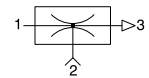
Technical characteristics	
Fluid	Unlubricated filtered air
Pressure (bar)	1 ... 8
Temperature (°C)	-10 ... +80
Weight (g)	132

VACUUM GENERATORS

Multistage vacuum generator G3/8"



Ordering code
19M38.M.12.SS.00



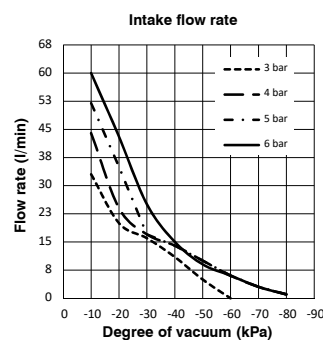
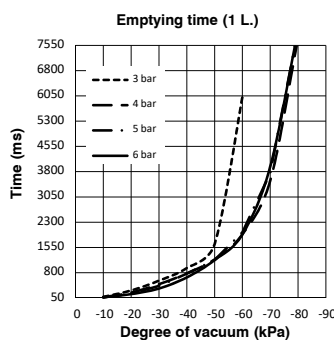
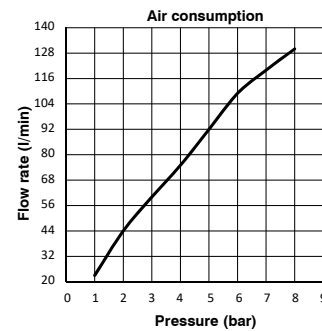
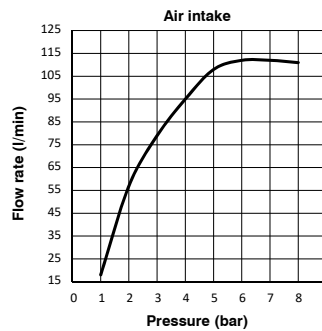
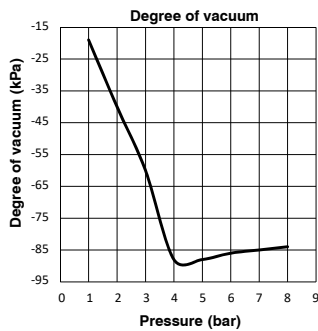
As a function of the modules (nozzles 2-4- 6-8) used, offer exactly the right performance for the most varied of industrial applications. They ensure a low level of noise thanks to the sound-absorbent material inside of them.

VACUUM GENERATORS

Operational characteristics

Inlet pressure (bar)	2	4	6
Degree of Vacuum (-kPa)	40	88	86
Intake flow rate (l/min)	57	95	112
Air consumption (l/min)	44	75	109

Performance Charts

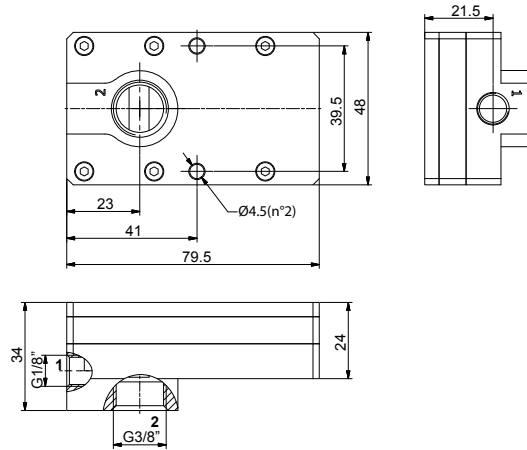


Technical characteristics

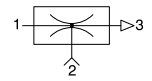
Fluid	Unlubricated filtered air
Pressure (bar)	1 ... 8
Temperature (°C)	-10 ... +80
Weight (g)	132



Multistage vacuum generator G3/8"



Ordering code
19M38.M.15.SS.00



As a function of the modules (nozzles 2-4- 6-8) used, offer exactly the right performance for the most varied of industrial applications. They ensure a low level of noise thanks to the sound-absorbent material inside of them.

Operational characteristics			
Inlet pressure (bar)	2	4	6
Degree of Vacuum (-kPa)	40	86	83
Intake flow rate (l/min)	90	131	140
Air consumption (l/min)	57	94	133

Degree of vacuum vs Pressure (bar)

Air intake vs Pressure (bar)

Air consumption vs Pressure (bar)

Emptying time (1 L.) vs Degree of vacuum (kPa)

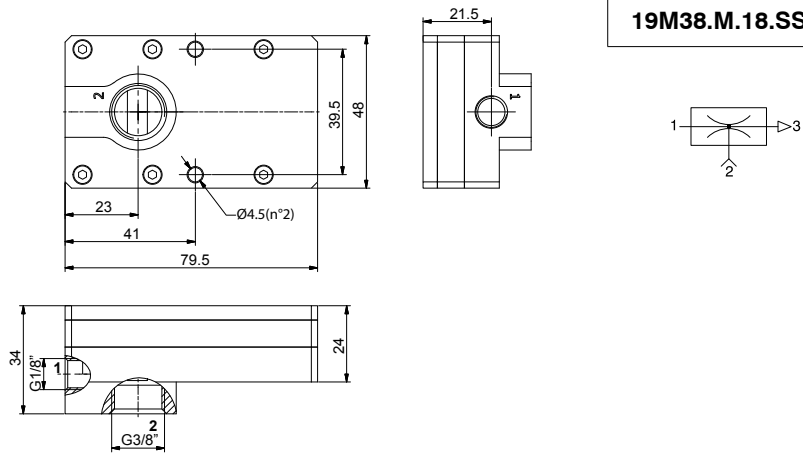
Intake flow rate vs Degree of vacuum (kPa)

Technical characteristics	
Fluid	Unlubricated filtered air
Pressure (bar)	1 ... 8
Temperature (°C)	-10 ... +80
Weight (g)	178

VACUUM GENERATORS

Multistage vacuum generator G3/8"

Ordering code
19M38.M.18.SS.00



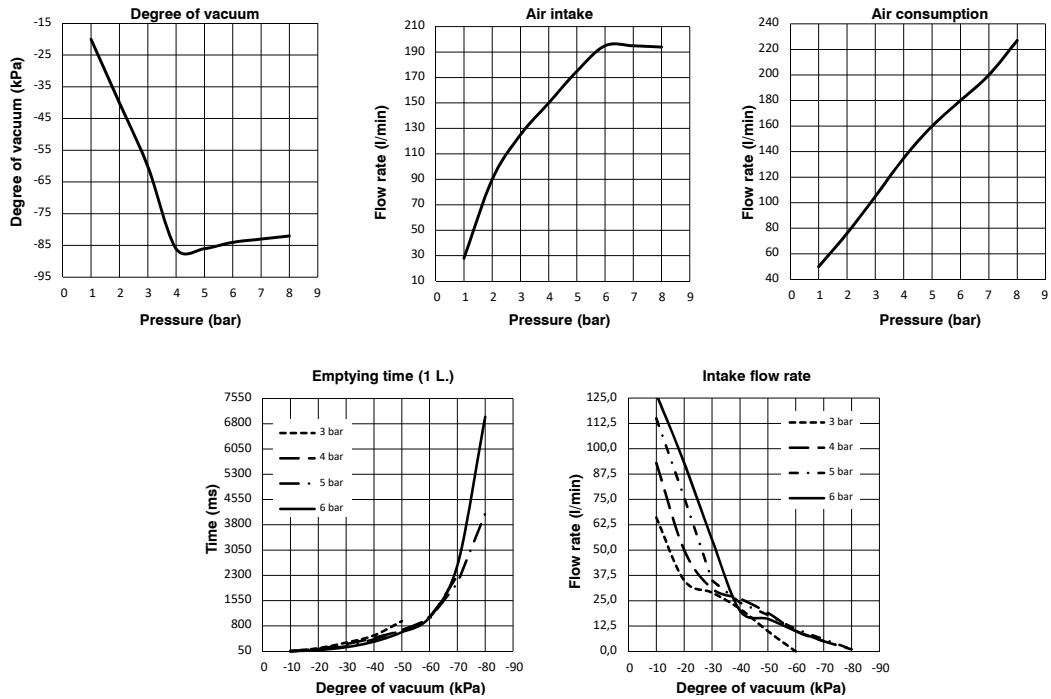
As a function of the modules (nozzles 2-4- 6-8) used, offer exactly the right performance for the most varied of industrial applications. They ensure a low level of noise thanks to the sound-absorbent material inside of them.

VACUUM GENERATORS

Operational characteristics

Inlet pressure (bar)	2	4	6
Degree of Vacuum (-kPa)	40	86	84
Intake flow rate (l/min)	90	150	195
Air consumption (l/min)	76	135	180

Performance Charts



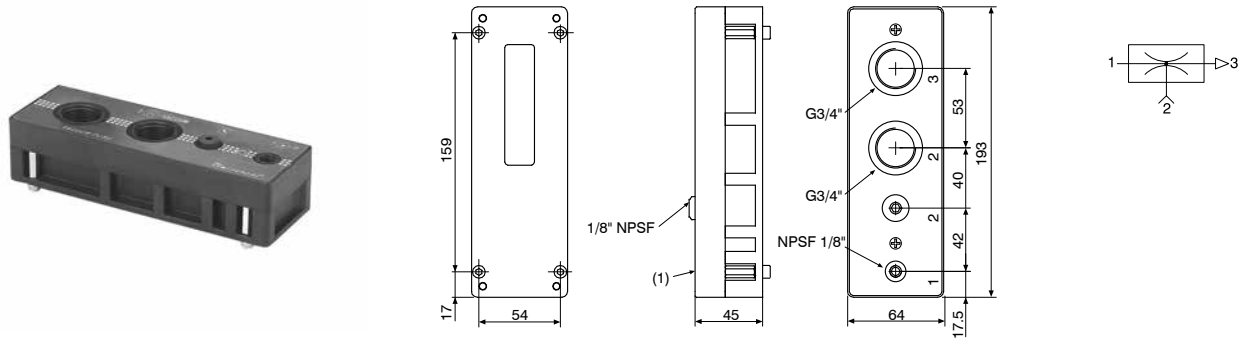
Technical characteristics

Fluid	Unlubricated filtered air
Pressure (bar)	1 ... 8
Temperature (°C)	-10 ... +80
Weight (g)	178



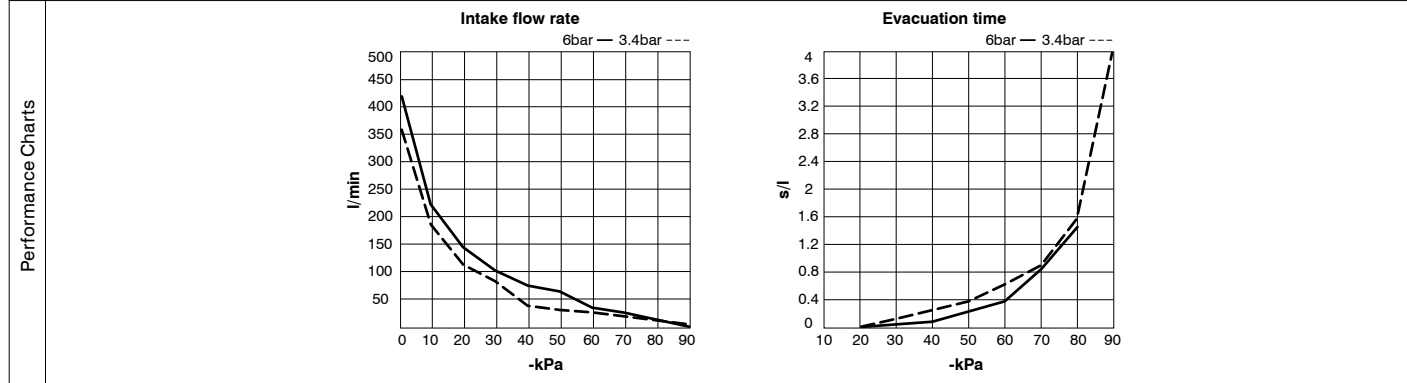
Multistage high flow vacuum generator G3/4"

Ordering code
19T34.M.32.HF.QQ



Operational characteristics

Optimum inlet pressure (bar)	3.4
Inlet pressure (bar)	3.4 / 6
Degree of Vacuum (-kPa)	89 / 92
Intake flow rate (l/min)	360 / 420
Air consumption (l/min)	116 / 185



Inlet pressure (bar)	Air consumption (l/min)	Evacuation time (s/l) at different levels of vacuum (-kPa)										Degree of Vacuum max. (-kPa)
		0	10	20	30	40	50	60	70	80	90	
3.4	116	360	180	115	80	43	30	22.5	15.5	7.5	1.2	92
6	185	420	240	125	100	82	65	38	12.5	3.5	/	89

Inlet pressure (bar)	Air consumption (l/min)	Evacuation time (s/l) at different levels of vacuum (-kPa)										Degree of Vacuum max. (-kPa)
		10	20	30	40	50	60	70	80	90		
3.4	116	0.022	0.06	0.11	0.21	0.4	0.65	0.95	1.60	4	92	
6	185	0.018	0.05	0.08	0.18	0.25	0.40	0.62	1.55	/	89	

Technical characteristics

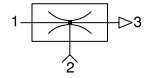
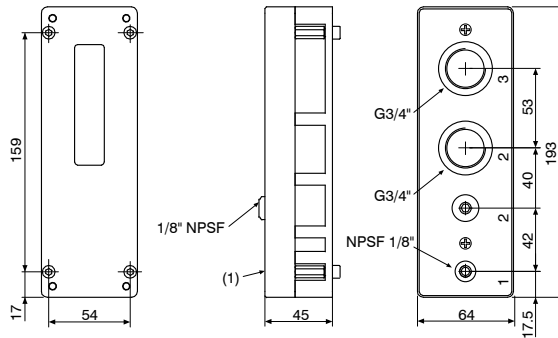
Fluid	Unlubricated filtered air
Inlet pressure (bar)	3,4 ... 6
Noise (dBA)	93
Temperature (°C)	-20 ... +80
Material	PPS, SS, PA, NBR
Weight (g)	675

Accessories	
19S34.R	Reduced silencer G3/4"
19S34.S	Silencer G3/4"

VACUUM GENERATORS

Multistage high flow vacuum generator G3/4"

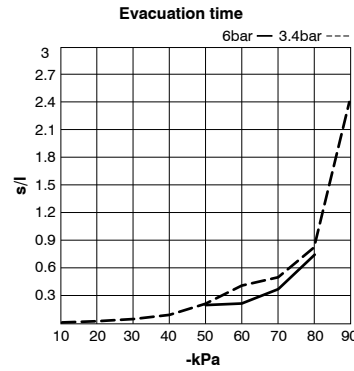
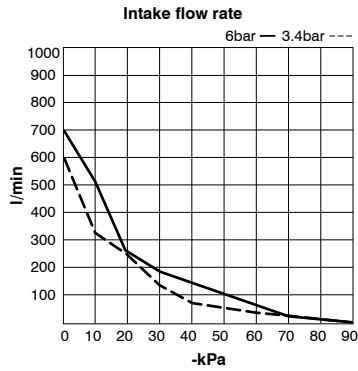
Ordering code
19T34.M.41.HF.QQ



Operational characteristics

Optimum inlet pressure (bar)	3.4
Inlet pressure (bar)	3.4 / 6
Degree of Vacuum (-kPa)	89 / 92
Intake flow rate (l/min)	600 / 700
Air consumption (l/min)	

Performance Charts



Inlet pressure (bar)	Air consumption (l/min)	Evacuation time (s/l) at different levels of vacuum (-kPa)										Degree of Vacuum max. (-kPa)
		0	10	20	30	40	50	60	70	80	90	
3.4	230	600	320	250	135	75	60	46	30	13	1.5	92
6	370	700	510	290	195	160	115	70	22	8	/	89

Inlet pressure (bar)	Air consumption (l/min)	Evacuation time (s/l) at different levels of vacuum (-kPa)										Degree of Vacuum max. (-kPa)
		10	20	30	40	50	60	70	80	90		
3.4	230	0.014	0.031	0.06	0.10	0.20	0.34	0.50	0.80	2.5	92	
6	370	0.01	0.022	0.048	0.08	0.11	0.20	0.35	0.78	/	89	

Technical characteristics

Fluid	Unlubricated filtered air
Max. inlet pressure (bar)	3,4 ... 6
Noise (dBA)	92
Temperature (°C)	-20 ... +80
Material	PPS, SS, PA, NBR
Weight (g)	675

Accessories

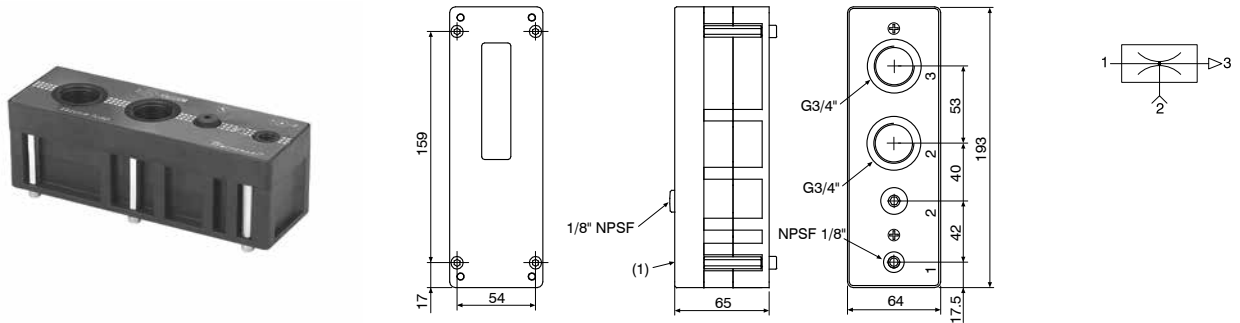
19S34.R	Reduced silencer G3/4"
19S34.S	Silencer G3/4"

VACUUM GENERATORS



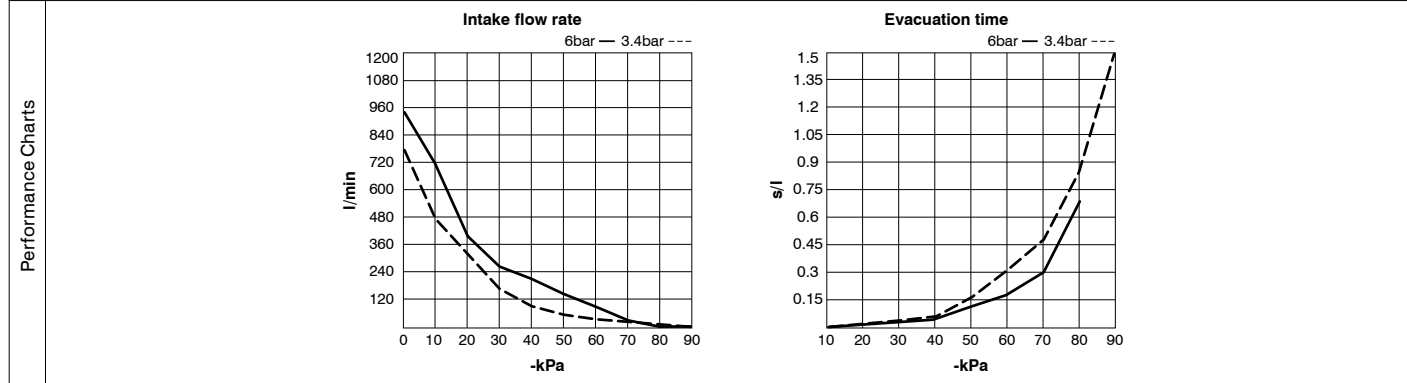
Multistage high flow vacuum generator G3/4"

Ordering code
19T34.M.46.HF.QQ



Operational characteristics

Optimum inlet pressure (bar)	3.4
Inlet pressure (bar)	3.4 / 6
Degree of Vacuum (-kPa)	89 / 92
Intake flow rate (l/min)	760 / 950
Air consumption (l/min)	365 / 610



Inlet pressure (bar)	Air consumption (l/min)	Evacuation time (s/l) at different levels of vacuum (-kPa)										Degree of Vacuum max. (-kPa)
		0	10	20	30	40	50	60	70	80	90	
3.4	365	760	445	340	175	110	85	70	43	20	1.8	92
6	610	950	710	380	285	230	170	100	32	11	/	89

Inlet pressure (bar)	Air consumption (l/min)	Evacuation time (s/l) at different levels of vacuum (-kPa)										Degree of Vacuum max. (-kPa)
		10	20	30	40	50	60	70	80	90		
3.4	365	0.012	0.029	0.058	0.095	0.18	0.31	0.46	0.89	1.5	92	
6	610	0.009	0.019	0.045	0.075	0.13	0.18	0.31	0.70	/	89	

Technical characteristics

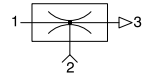
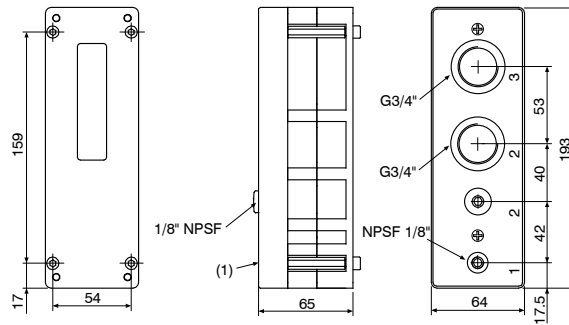
Fluid	Unlubricated filtered air
Max. inlet pressure (bar)	3,4 ... 6
Noise (dBA)	93
Temperature (°C)	-20 ... +80
Material	PPS, SS, PA, NBR
Weight (g)	837

Accessories	
19S34.R	Reduced silencer G3/4"
19S34.S	Silencer G3/4"

VACUUM GENERATORS

Multistage high flow vacuum generator G3/4"

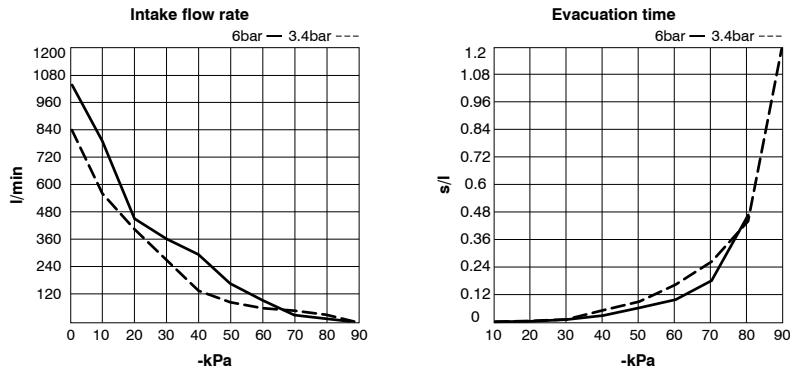
Ordering code
19T34.M.52.HF.QQ



Operational characteristics

Optimum inlet pressure (bar)	3.4
Inlet pressure (bar)	3.4 / 6
Degree of Vacuum (-kPa)	89 / 92
Intake flow rate (l/min)	850 / 1010
Air consumption (l/min)	445 / 720

Performance Charts



Inlet pressure (bar)	Air consumption (l/min)	Evacuation time (s/l) at different levels of vacuum (-kPa)											Degree of Vacuum max. (-kPa)
		0	10	20	30	40	50	60	70	80	90		
3.4	445	850	550	430	280	145	115	85	60	28	2.2	92	
6	720	1010	800	460	385	310	215	125	42	15.5	/	89	

Inlet pressure (bar)	Air consumption (l/min)	Evacuation time (s/l) at different levels of vacuum (-kPa)										Degree of Vacuum max. (-kPa)
		10	20	30	40	50	60	70	80	90		
3.4	445	0.010	0.025	0.043	0.075	0.11	0.19	0.27	0.45	1.2	92	
6	720	0.007	0.018	0.038	0.055	0.08	0.12	0.19	0.47	/	89	

Technical characteristics

Fluid	Unlubricated filtered air
Max. inlet pressure (bar)	3.4 ... 6
Noise (dBA)	88
Temperature (°C)	-20 ... +80
Material	PPS, SS, PA, NBR
Weight (g)	837

Accessories

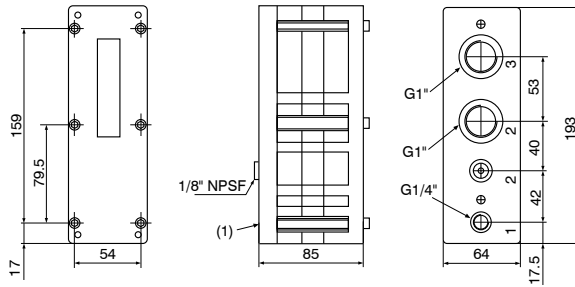
19S34.R	Reduced silencer G3/4"
19S34.S	Silencer G3/4"

VACUUM GENERATORS



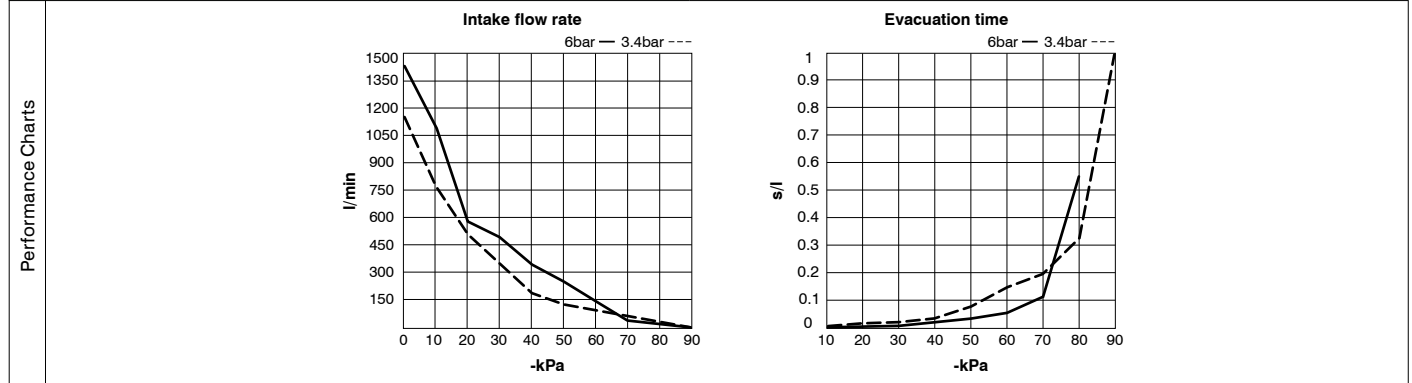
Multistage high flow vacuum generator G1"

Ordering code
19TG1.M.58.HF.PP



Operational characteristics

Optimum inlet pressure (bar)	3.4
Inlet pressure (bar)	3.4 / 6
Degree of Vacuum (-kPa)	89 / 92
Intake flow rate (l/min)	1150 / 1400
Air consumption (l/min)	545 / 780



Inlet pressure (bar)	Air consumption (l/min)	Evacuation time (s/l) at different levels of vacuum (-kPa)											Degree of Vacuum max. (-kPa)
		0	10	20	30	40	50	60	70	80	90		
3.4	545	1150	760	530	350	180	148	115	78	34.5	3.5	92	
6	780	1400	1120	560	490	355	260	150	50	25	/	89	

Inlet pressure (bar)	Air consumption (l/min)	Evacuation time (s/l) at different levels of vacuum (-kPa)										Degree of Vacuum max. (-kPa)
		10	20	30	40	50	60	70	80	90		
3.4	545	0.006	0.015	0.029	0.052	0.085	0.145	0.202	0.330	1	92	
6	780	0.005	0.013	0.026	0.045	0.062	0.115	0.194	0.56	/	89	

Technical characteristics

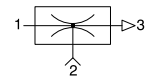
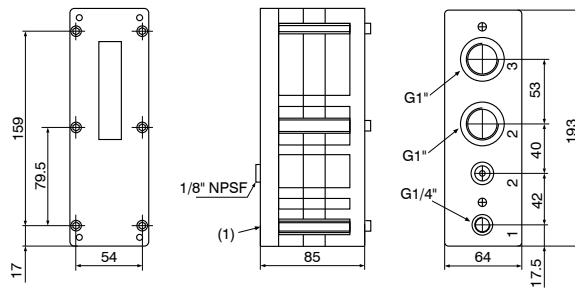
Fluid	Unlubricated filtered air
Max. inlet pressure (bar)	3,4 ... 6
Noise (dBA)	92
Temperature (°C)	-20 ... +80
Material	PPS, SS, PA, NBR
Weight (g)	1075

Accessories	
19S10.R	Reduced silencer G 1"

VACUUM GENERATORS

Multistage high flow vacuum generator G1"

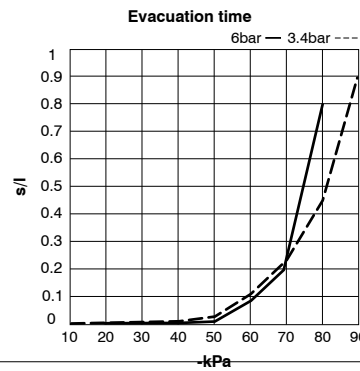
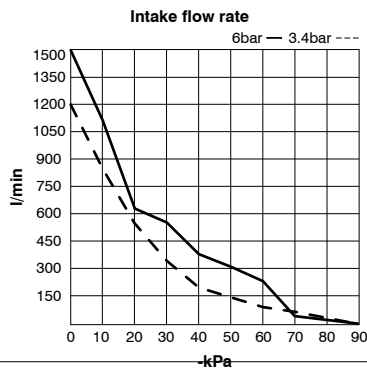
Ordering code
19TG1.M.61.HF.PP



Operational characteristics

Optimum inlet pressure (bar)	3.4
Inlet pressure (bar)	3.4 / 6
Degree of Vacuum (-kPa)	89 / 92
Intake flow rate (l/min)	1200 / 1500
Air consumption (l/min)	655 / 810

Performance Charts



Inlet pressure (bar)	Air consumption (l/min)	Evacuation time (s/l) at different levels of vacuum (-kPa)										Degree of Vacuum max. (-kPa)
		0	10	20	30	40	50	60	70	80	90	
3.4	655	1200	830	550	360	215	170	130	90	36	5	92
6	810	1500	1110	630	560	385	315	210	65	26	/	89

Inlet pressure (bar)	Air consumption (l/min)	Evacuation time (s/l) at different levels of vacuum (-kPa)										Degree of Vacuum max. (-kPa)
		10	20	30	40	50	60	70	80	90		
3.4	655	0.005	0.013	0.027	0.045	0.070	0.105	0.23	0.46	0.9	92	
6	810	0.003	0.009	0.014	0.030	0.060	0.095	0.20	0.8	/	89	

Technical characteristics

Fluid	Unlubricated filtered air
Max. inlet pressure (bar)	3,4 ... 6
Noise (dBA)	88
Temperature (°C)	-20 ... +80
Material	PPS, SS, PA, NBR
Weight (g)	1075

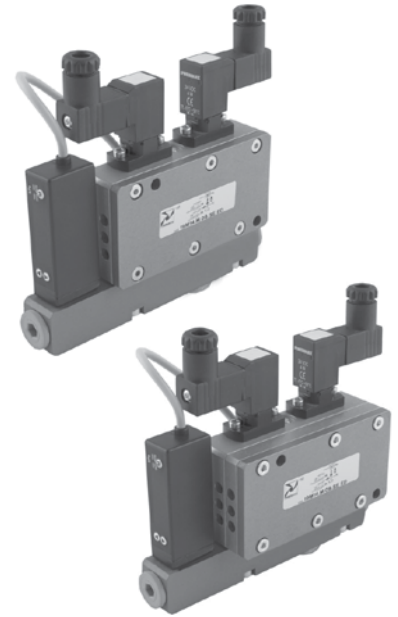
Accessories

19S10.R	Reduced silencer G 1"
---------	-----------------------

VACUUM GENERATORS

Multifunction vacuum generators

Vacuum units that can control a complete vacuum gripping system.



The range of multifunction vacuum generators are available in two versions, the “SE” & “ME”. The ‘SE’ can be installed as “stand alone” whilst the ‘ME’ version can be assembled with intermediate modules creating a multi position manifold which uses a single compressed air supply. The modular design allows the number of autonomous vacuum units to be increased as a function of requirements. They are constructed from a piece of anodised aluminium, and inside of this, the multiple ejectors are mounted and the vacuum chambers are fashioned, as well as threaded connections for supply.

The outside components are:

- A solenoid pilot valve for controlling the compressed air being supplied
- A solenoid pilot valve for controlling the compressed air from the bellows
- A vacuum switch with display for controlling and monitoring the system
- A flow regulator with setting screw for regulating the air of the bellows
- An intake manifold made of aluminium for the vacuum connections with the intake filter and check valve integrated inside it, serving to keep vacuum to be used should the electrical power or compressed air stop being supplied.

By activating the supply solenoid pilot valve, the generator creates vacuum that can be used, and when the maximum preset value is reached, the vacuum switch kicks in and, through the control solenoid pilot valve, cuts off the air supply and restores it when the vacuum value drops below the minimum set value.

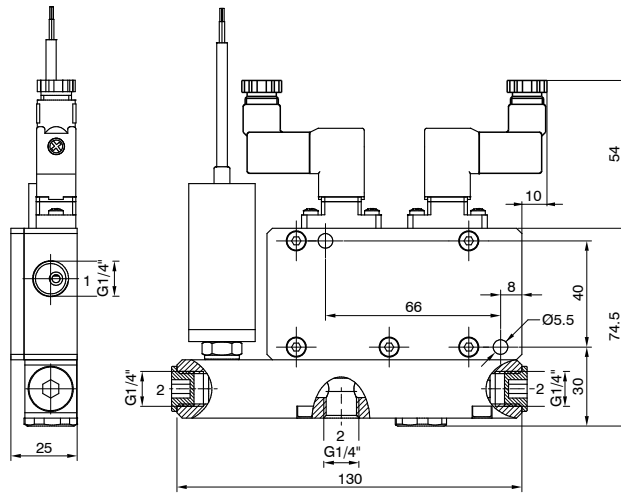
This modulation allows considerable savings of compressed air in addition to keeping the degree of vacuum within safety range.

A second vacuum switch signal, which is separate from the first one and is adjustable, can be used to start up the cycle when the degree of vacuum reached is that needed for the application.

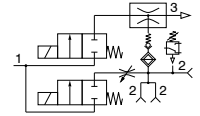
Once the cycle has completed, the supply solenoid pilot valve for air supply to the generator powers down and at the same time the release solenoid pilot valve powers up to quickly restore atmospheric pressure within the circuit. This series of vacuum generators is suitable for controlling suction cup gripping systems for moving glass panes, marble slabs, ceramic slabs, plastic panels, cardboard boxes, wood panels, etc., and, given their particular shape, they lend themselves to applications in the industrial robotics sector where there is increasing demand for high-performance equipment and autonomous vacuum systems for controlling a greater number of gripping elements while keeping weight low and dimensions compact.

Series 1900

Multifunction vacuum generator

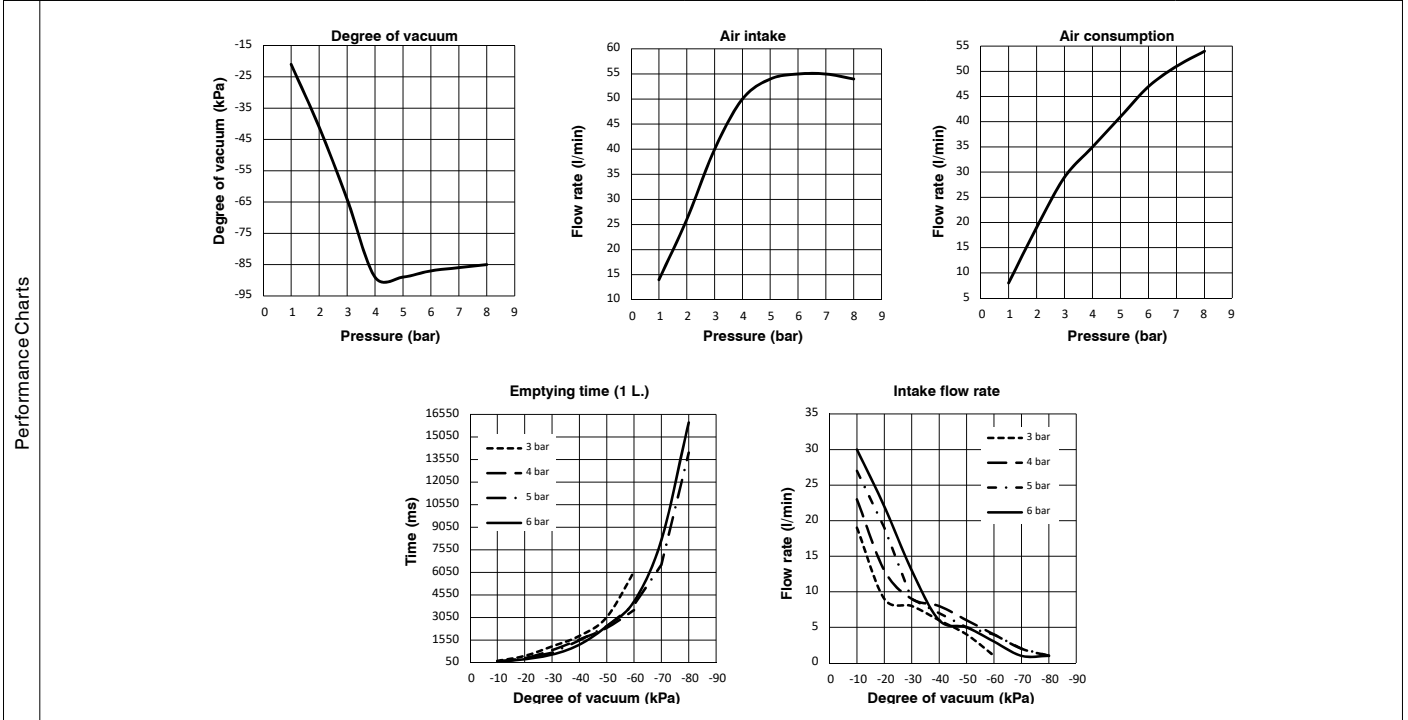


Ordering code	
19M14.M.09.SE.⊙	
OPTIONS	
ED	Solenoid valves + vacuum switch cable 2 Mt.
EF	Solenoid valves + vacuum switch cable 30 cm and connector M8
01	Solenoid valve without vacuum switch
02	Vacuum switch without back pressure valve
04	Without vacuum switch and back pressure valve
05	Vacuum switch cable 30 cm and connector M8 without back pressure valve



Operational characteristics

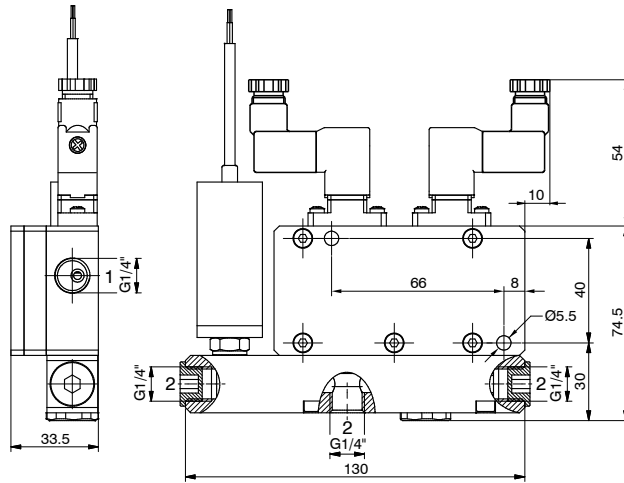
Inlet pressure (bar)	2	4	6
Degree of Vacuum (-kPa)	41	89	87
Intake flow rate (l/min)	26	50	55
Air consumption (l/min)	19	35	47



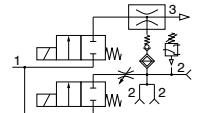
Technical characteristics

Fluid	Unlubricated filtered air
Pressure (bar)	0 ... 6
Inlet and release solenoid valve function	N.C.
Power consumption	4 Watt
Supply voltage	24 VDC
Solenoid valve - IP Rating	IP65
Vacuum switch output	2 PNP
Vacuum switch - IP Rating	IP40
Temperature (°C)	-10 ... +60
Weight (g)	538

Multifunction vacuum generator



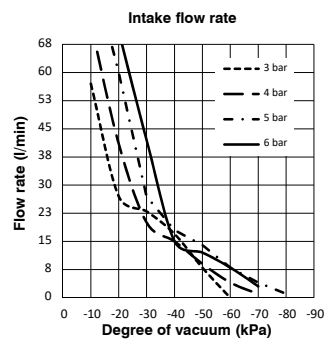
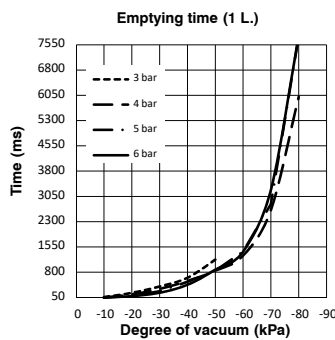
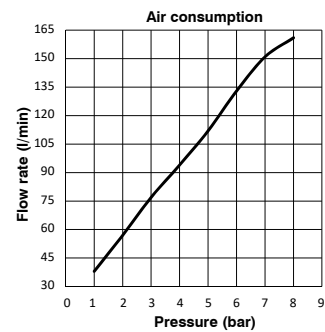
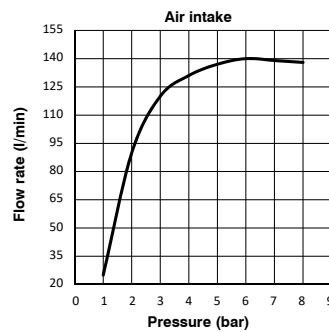
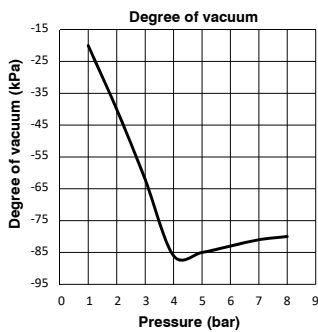
Ordering code	
19M14.M.15.SE.⊙	
OPTIONS	
ED	Solenoid valves + vacuum switch cable 2 Mt.
EF	Solenoid valves + vacuum switch cable 30 cm and connector M8
01	Solenoid valve without vacuum switch
02	Vacuum switch without back pressure valve
04	Without vacuum switch and back pressure valve
05	Vacuum switch cable 30 cm and connector M8 without back pressure valve



Operational characteristics

Inlet pressure (bar)	2	4	6
Degree of Vacuum (-kPa)	40	86	83
Intake flow rate (l/min)	90	131	140
Air consumption (l/min)	57	94	133

Performance Charts

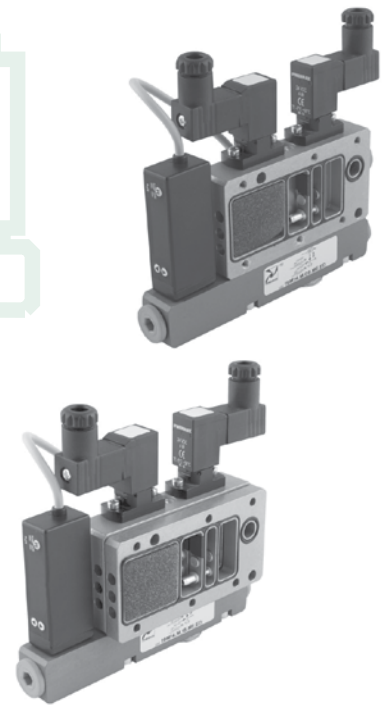


Technical characteristics

Fluid	Unlubricated filtered air
Pressure (bar)	0 ... 6
Inlet and release solenoid valve function	N.C.
Power consumption	4 Watt
Supply voltage	24 VDC
Solenoid valve - IP Rating	IP65
Vacuum switch output	2 PNP
Vacuum switch - IP Rating	IP40
Temperature (°C)	-10 ... +60
Weight (g)	661

Modular multifunction vacuum generators

The intermediate “ME” multistage and multifunction vacuum generators are not autonomous and must be hooked up to the “SE” units to operate.



They have been designed to be enclosed between the cap and the base of the “SE” vacuum generator and attached to the latter via M4 screws; with the distribution manifold inside the generator, the compressed air is distributed without having to use external manifolds.

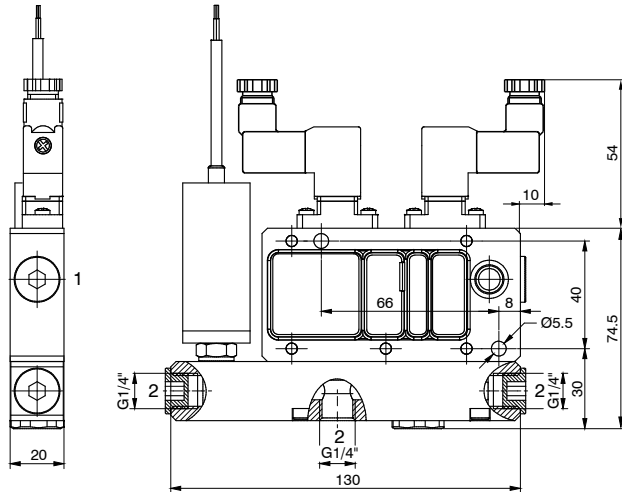
These can be ordered as individual components in the desired number and capacity, although to mount them onto the “SE” generator, a kit with a number of screws corresponding to the number of modules to be attached is necessary.

The “ME” vacuum generators comprise the same components as the “SE” generators do, except for the sealing cap; their operation and use are the same as the “SE” vacuum generator on which they are mounted.

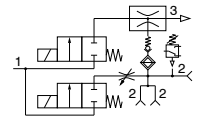


Series 1900

Modular multifunction vacuum generator

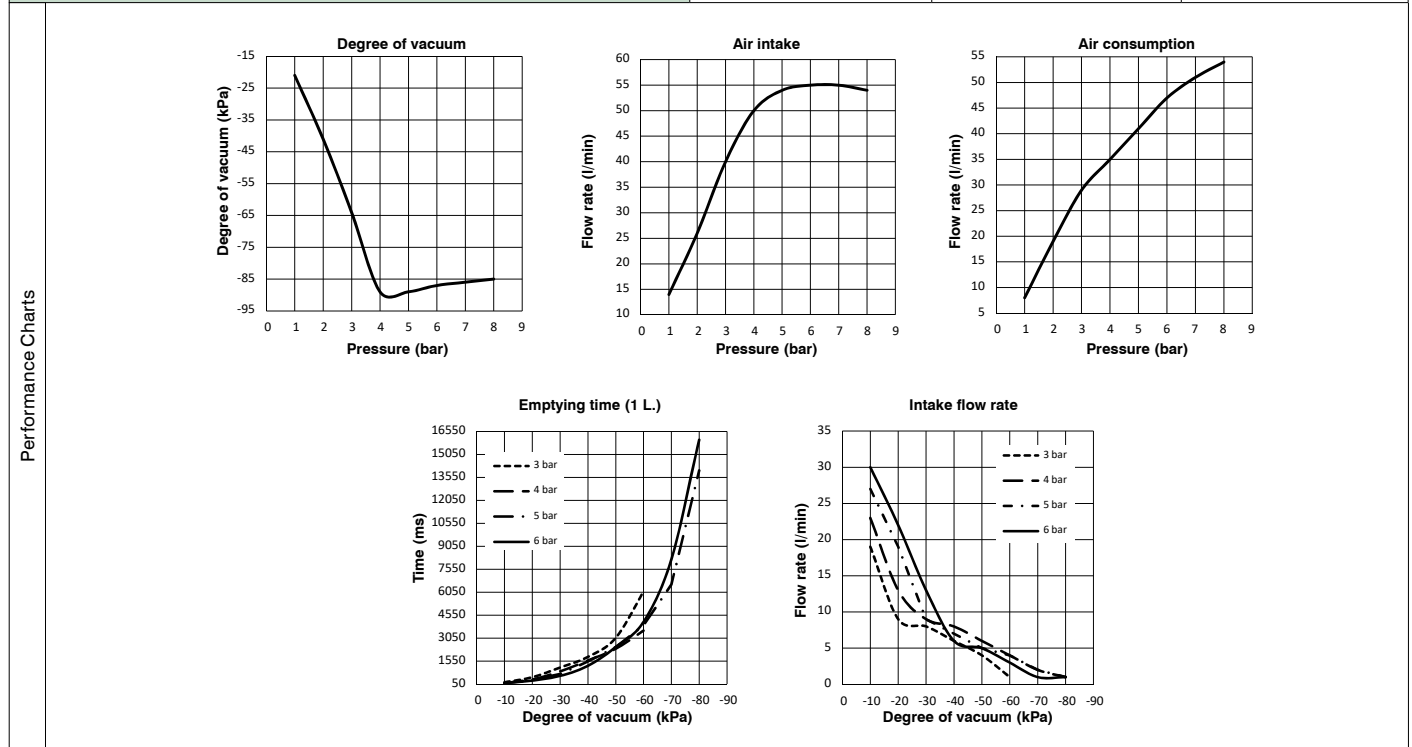


Ordering code	
19M14.M.09.ME.⊙	
OPTIONS	
ED	Solenoid valves + vacuum switch cable 2 Mt.
EF	Solenoid valves + vacuum switch cable 30 cm and connector M8
01	Solenoid valve without vacuum switch
⊙	02 Vacuum switch without back pressure valve
04	Without vacuum switch and back pressure valve
05	Vacuum switch cable 30 cm and connector M8 without back pressure valve



Operational characteristics

Inlet pressure (bar)	2	4	6
Degree of Vacuum (-kPa)	41	89	87
Intake flow rate (l/min)	26	50	55
Air consumption (l/min)	19	35	47

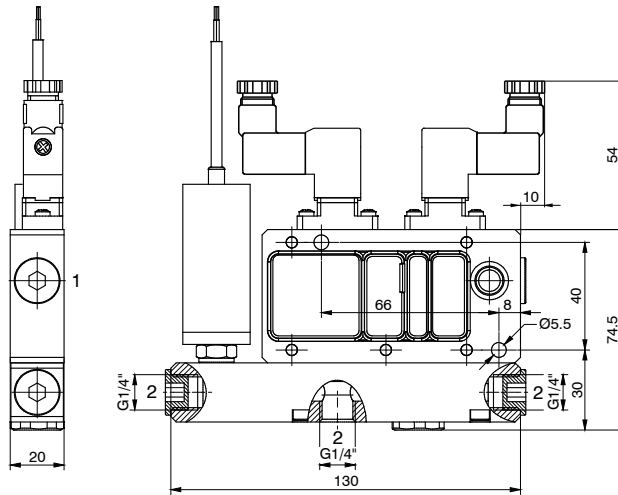


Technical characteristics

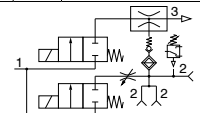
Fluid	Unlubricated filtered air
Pressure (bar)	0 ... 6
Inlet and release solenoid valve function	N.C.
Power consumption	4 Watt
Supply voltage	24 VDC
Solenoid valve - IP Rating	IP65
Vacuum switch output	2 PNP
Vacuum switch - IP Rating	IP40
Temperature (°C)	-10 ... +60
Weight (g)	474

VACUUM GENERATORS

► **Modular multifunction vacuum generator**



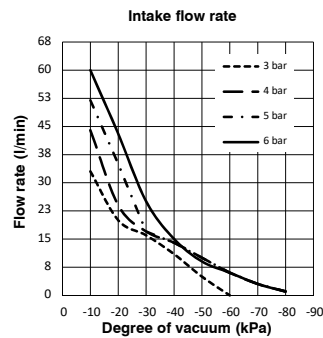
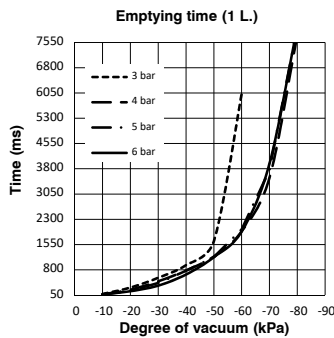
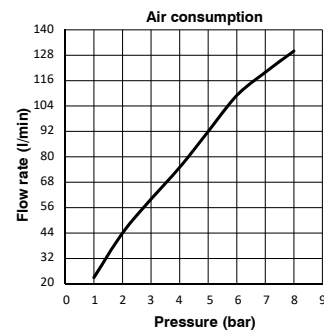
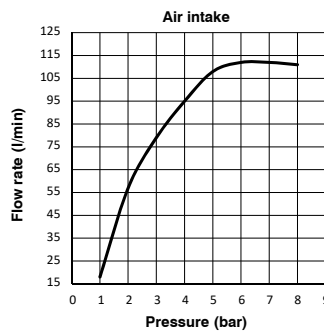
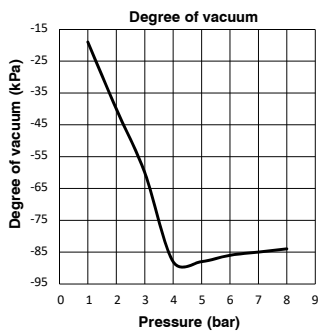
Ordering code	
19M14.M.12.ME.⊙	
OPTIONS	
ED	Solenoid valves + vacuum switch cable 2 Mt.
EF	Solenoid valves + vacuum switch cable 30 cm and connector M8
01	Solenoid valve without vacuum switch
⊙	02 Vacuum switch without back pressure valve
04	Without vacuum switch and back pressure valve
05	Vacuum switch cable 30 cm and connector M8 without back pressure valve



Operational characteristics

Inlet pressure (bar)	2	4	6
Degree of Vacuum (-kPa)	40	88	86
Intake flow rate (l/min)	57	95	112
Air consumption (l/min)	44	75	109

Performance Charts

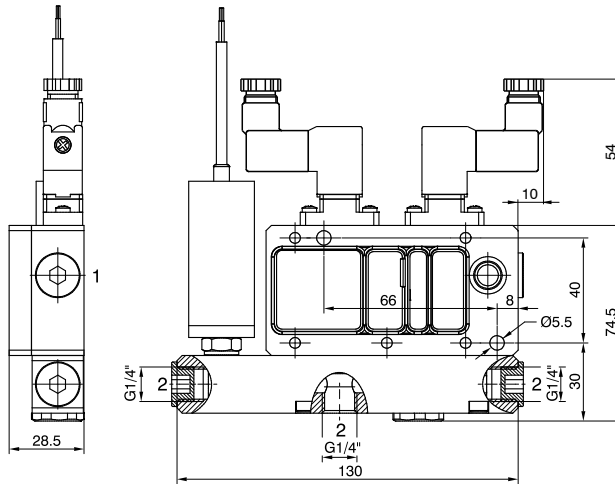


Technical characteristics

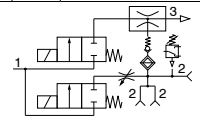
Fluid	Unlubricated filtered air
Pressure (bar)	0 ... 6
Inlet and release solenoid valve function	N.C.
Power consumption	4 Watt
Supply voltage	24 VDC
Solenoid valve - IP Rating	IP65
Vacuum switch output	2 PNP
Vacuum switch - IP Rating	IP40
Temperature (°C)	-10 ... +60
Weight (g)	474



Modular multifunction vacuum generator



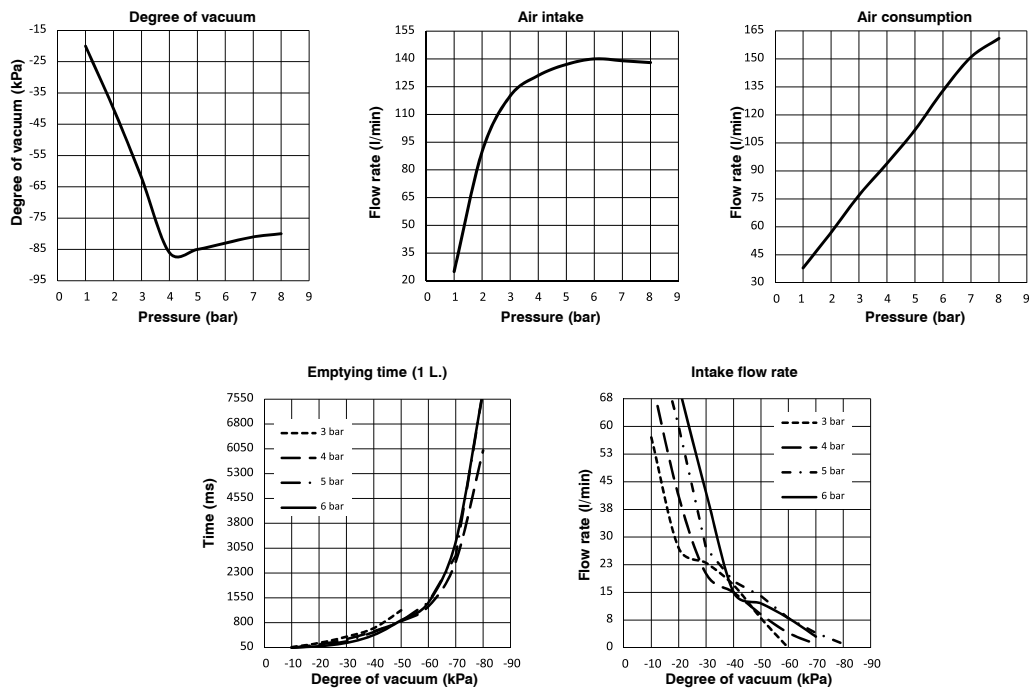
Ordering code	
19M14.M.15.ME.⊙	
OPTIONS	
ED	Solenoid valves + vacuum switch cable 2 Mt.
EF	Solenoid valves + vacuum switch cable 30 cm and connector M8
01	Solenoid valve without vacuum switch
⊙	02 Vacuum switch without back pressure valve
04	Without vacuum switch and back pressure valve
05	Vacuum switch cable 30 cm and connector M8 without back pressure valve



Operational characteristics

Inlet pressure (bar)	2	4	6
Degree of Vacuum (-kPa)	40	86	83
Intake flow rate (l/min)	90	131	140
Air consumption (l/min)	57	94	133

Performance Charts

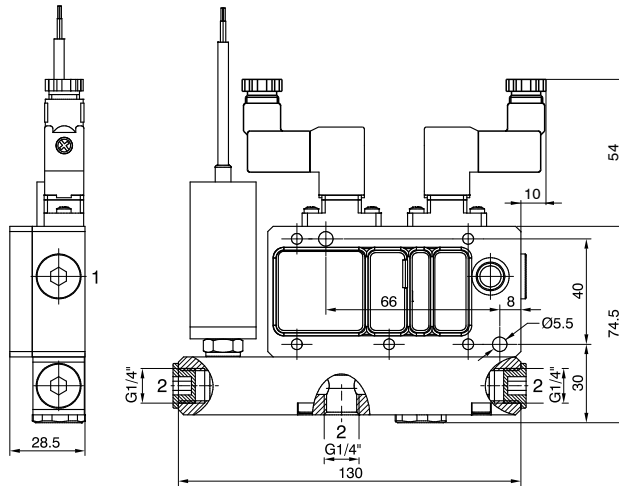


Technical characteristics

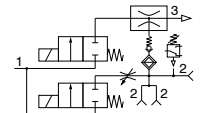
Fluid	Unlubricated filtered air
Pressure (bar)	0 ... 6
Inlet and release solenoid valve function	N.C.
Power consumption	4 Watt
Supply voltage	24 VDC
Solenoid valve - IP Rating	IP65
Vacuum switch output	2 PNP
Vacuum switch - IP Rating	IP40
Temperature (°C)	-10 ... +60
Weight (g)	537

VACUUM GENERATORS

► **Modular multifunction vacuum generator**

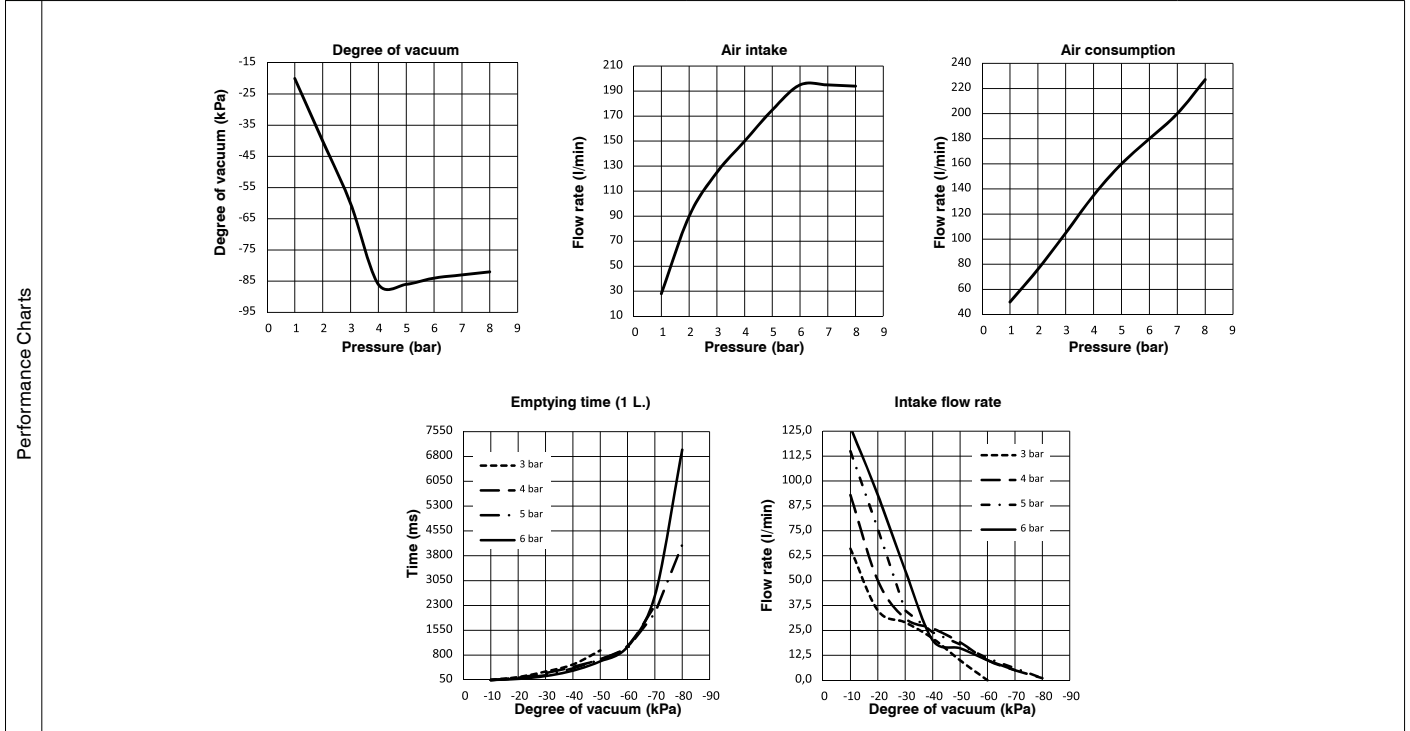


Ordering code	
19M14.M.18.ME.⊙	
OPTIONS	
ED	Solenoid valves + vacuum switch cable 2 Mt.
EF	Solenoid valves + vacuum switch cable 30 cm and connector M8
01	Solenoid valve without vacuum switch
⊙	
02	Vacuum switch without back pressure valve
04	Without vacuum switch and back pressure valve
05	Vacuum switch cable 30 cm and connector M8 without back pressure valve



Operational characteristics

Inlet pressure (bar)	2	4	6
Degree of Vacuum (-kPa)	40	86	84
Intake flow rate (l/min)	90	150	195
Air consumption (l/min)	76	135	180



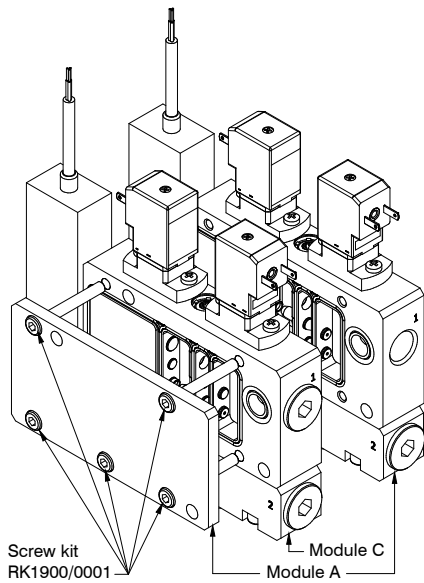
Technical characteristics

Fluid	Unlubricated filtered air
Pressure (bar)	0 ... 6
Inlet and release solenoid valve function	N.C.
Power consumption	4 Watt
Supply voltage	24 VDC
Solenoid valve - IP Rating	IP65
Vacuum switch output	2 PNP
Vacuum switch - IP Rating	IP40
Temperature (°C)	-10 ... +60
Weight (g)	537



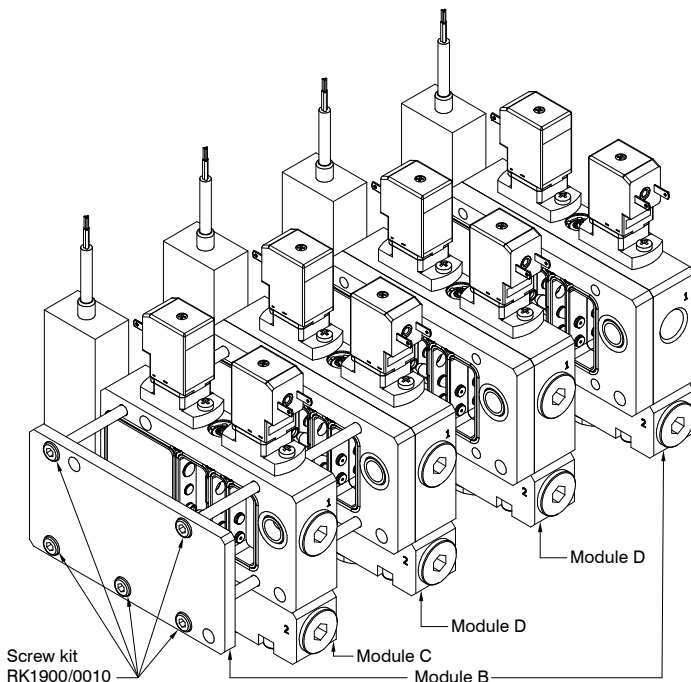
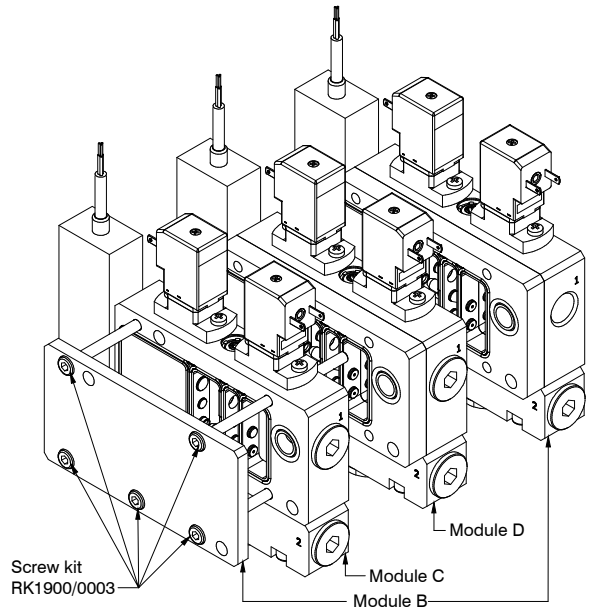
Modular vacuum systems

“SE” multifunction vacuum generators can be assembled with one or more “ME” intermediate modules, thus forming a modular vacuum system characterised by a compact shape and reduced size and weight. With standard screw kits up to 4 vacuum units A+1C+1D can be assembled together independently but, with use of threaded bars, the manifold can be expanded to many more positions. Below are a number of examples showing ways the manifold can be put together.



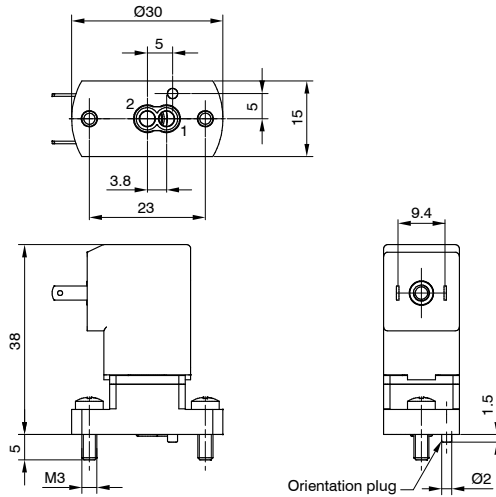
	Screws kit codes	Screw dimension	
Combinations of standard modules	A+1C	RK1900/0001	M4X30
	A+2C	RK1900/0002	M4X50
	A+3C	RK1900/0003	M4X70
	A+1C+1D	RK1900/0004	M4X60
	A+1C+2D	RK1900/0005	M4X90
	A+2C+1D	RK1900/0006	M4X80
	A+3D	RK1900/0007	M4X100
	A+2D	RK1900/0003	M4X70
	A+1D	RK1900/0008	M4X40
	B+1C	RK1900/0008	M4X40
	B+2C	RK1900/0004	M4X60
	B+3C	RK1900/0006	M4X80
B+1C+1D	RK1900/0003	M4X70	
B+1C+2D	RK1900/0007	M4X100	
B+2C+1D	RK1900/0005	M4X90	
B+2D	RK1900/0006	M4X80	
B+1D	RK1900/0002	M4X50	

The letters of the modules correspond to purchase codes	
A	19M14.M.09.SE.ED
	19M14.M.12.SE.ED
B	19M14.M.15.SE.ED
	19M14.M.18.SE.ED
C	19M14.M.09.ME.ED
	19M14.M.12.ME.ED
D	19M14.M.15.ME.ED
	19M14.M.18.ME.ED

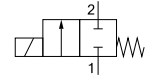


VACUUM GENERATORS

Mini solenoid valve 15 mm



Ordering code
N221.0F

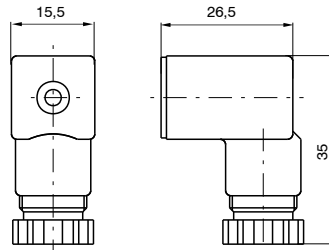


Technical characteristics

Fluid	Unlubricated filtered air
Pressure (bar)	0 ... 6
Function	N.C.
Flow rate (NI/m)	185
Operating voltage	24 VDC
Power	4 Watt
Class of insulation	F (155 °C)
IP Rating	IP65 (with connector) - IP00 (with Faston)
Temperature (°C)	-5 ... +50
Weight (g)	35.5

VACUUM GENERATORS

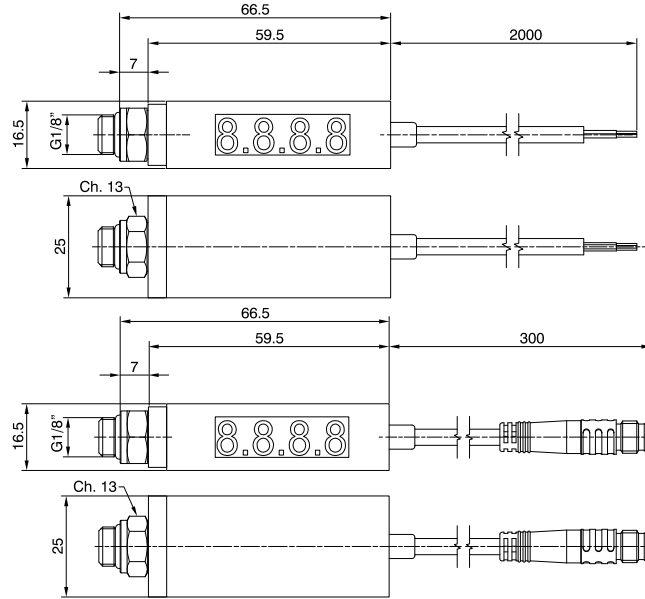
Connector



Ordering code
315.11.00

Weight 13 g

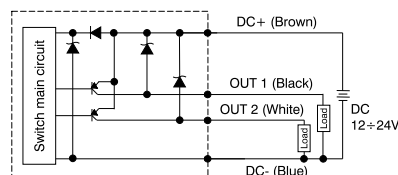
Digital vacuum switch



Ordering code	
DS.30.C.C.F8.0.0	
CABLE LENGTH	
0	B=300 mm *
1	D=2000 mm **
OPTIONS	
0	Without connector
2	With M8 4 Pin male connector

Technical features		
Working pressure range	-100.0 ... 100.0 kPa	
Regulation pressure range	-100.0 ... 100.0 kPa	
Maximum supported pressure	300 kPa	
Allowed fluids	Air, non-corrosive gases, non-combustible gases	
Pressure calibration sensitivity	kPa	0.1
	2 kgf/cm ²	0.001
	bar	0.001
	psi	0.01
	InHg	0.1
	mmHg	1
mmH ₂ O	0.1	
Supply voltage	From 12 to 24 VDC ± 10%	
Current consumption	≤ 60 mA	
Digital output	PNP N.O. 2 outputs Maximum load current: 80 mA Maximum supply voltage: 30 VDC Voltage drop: ≤ 1 V	
Repeatability (Digital output)	± 0.2% Full Scale ± 1 digit	
Digital output	Type of hysteresis	Fixed
	Hysteresis	0.003 bar
Response time	≤ 2,5 ms (anti-interference function: 24 ms, 192 ms and 768 ms selectable)	
Protection from short circuit at output	Present	
Display	Display with 3 1/2 digits (sampling 5 times per sec.)	
Indicator precision	± 2% F. S. ± 1 digit (at ambient temperature of 25°C ± 3°C)	
Indicator	LED green (output1) LED red (output2)	
Ingress protection rating	IP Rating	IP40
	Ambient temperature	Operational: 0°C ... 50°C, Storage: -20°C ... 60°C (without ice or condensation)
	Ambient humidity	Operational/Storage: 35 ... 85% (without condensation)
	Supported voltage	1000 VAC in 1-min. (between body and cable)
	Insulation resistance	50MΩ min. (at 500 VDC, between body and cable)
	Vibration	Total amplitude 1.5 mm. or 10 G, 10 Hz - 55 Hz - 10 Hz scanning for 1 minute, 2 hours in each direction of X, Y and Z
Impacts/shocks	980m/s ² (100G), 3 times in each direction of X, Y and Z	
Temperature characteristics	± 2% Full Scale in a range between 0 ... 50°C	
Type of connection	G1/8" (Swivel)	
Electrical cable	Oil resistant cable	
Weight	Approximately 67 g (with 2 metres of cable)	

VACUUM GENERATORS



VALVES AND SOLENOID VALVES

Wide range of valves and solenoid valves with aluminium or technopolymer body, suitable for applications with high flow rates required



The experience gained over the years, resulting of collaboration with our customers and continuous research and development on materials and technologies, has allowed Pneumax to offer a wide range of valves and solenoid valves specially designed and manufactured for vacuum. Pneumax products are able to provide high performance in applications of very demanding industrial sectors, often characterized by hard environmental conditions.

The possibility of using different materials for the various components, from technopolymer to aluminum to stainless steel, allows to create a range of valves and solenoid valves ideal for applications in different operating conditions, ranging from the management of dusty fluids to applications in the food sector.

The attention to detail in the design phase with a deep focus on the correct dimensional ratio between the connections and the orifices, allowing to minimize the pressure drops and thus guaranteeing the maximum suction flow rate.

The Pneumax offer includes shut-off valves, poppet valves, solenoid valves and pad valves.




Index

Shut-off valves


	Series 1900	84
---	--------------------	-----------

Valves and solenoid valves poppet system


	Series 700	85
---	-------------------	-----------

	Series PG	87
---	------------------	-----------

	Series T772-773	95
---	------------------------	-----------

	Series T771	103
---	--------------------	------------

Solenoid coils

	for Series 771, 772, 773, 779, T772, T773, T771 and N776	108
---	---	------------

Pad valves

	Series PVA	110
---	-------------------	------------

	Series PVV	112
---	-------------------	------------

Shut-off valves Series 1900

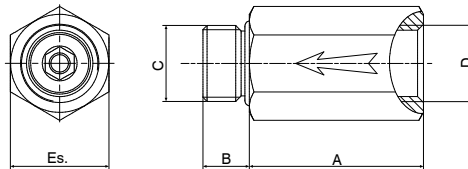


Non-return valves that can close the suction line in the event of air leakage from the suction cup that is not located on the workpiece or not fully adherent to it.

Designed to be applied to the suction cups, the shut-off valves, if there is no object to be lifted, if the suction grip is defective or in the presence of leakage, automatically closes off the suction, preventing the degree of vacuum in the still-gripping suction cups from dropping. These can shut off completely with characteristics described above or control leakage, where the principle of operation is the same as the abovementioned, differing from the sealing shutter in that, even when shut off entirely, it still allows a

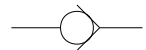
small air flow to the vacuum source. This feature allows a suction cup that has not gripped the object to be lifted to recreate the vacuum inside of it, and therefore carry out its gripping action without having to repeat the work cycle; if, on the other hand, the suction cup does not grip due to the fact that there is no object to lift, the valve will not stop the degree of vacuum from dropping on the remaining gripping suction cups, but the small percentage of loss is easily controllable and therefore recoverable.

Shut-off valves



A	B	C	D	Es.
27	7	G1/8	G1/8	13
30	8	G1/4	G1/4	17
33	9	G3/8	G3/8	20

Ordering code	
19E⊙.A.00.MF	
⊙ THREAD	
18 = G1/8"	
14 = G1/4"	
38 = G3/8"	

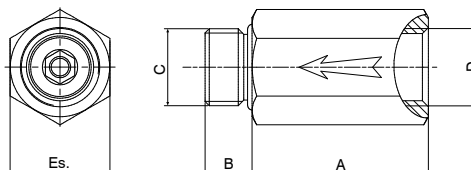


Operational characteristics

Minimum trigger flow rate (l/min)

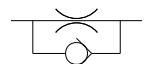
25

Shut-off valves with controlled leakage loss



A	B	C	D	Es.
27	7	G1/8	G1/8	13
30	8	G1/4	G1/4	17
33	9	G3/8	G3/8	20

Ordering code	
19E⊙.A.⊙.MF	
⊙ THREAD	
18 = G1/8"	
14 = G1/4"	
38 = G3/8"	
⊙ NOZZLE ORIFICE	
03 = orifice Ø0,3	
05 = orifice Ø0,5	
07 = orifice Ø0,7	
10 = orifice Ø1	



Operational characteristics

Minimum trigger flow rate (l/min)

25

Valves and solenoid valves poppet system Series 700

Valves and solenoid valves poppet system for vacuum applications with high flow rates.




These are manufactured only in 3/2 and 2/2 versions, either normally closed or normally open. Selection of the right type and connection to the pump requires some knowledge and skill.

For electrical actuation a normal M2 microsolenoid is used in the case of control via air and a special M2/V microsolenoid is used when control is via vacuum.

Construction characteristics

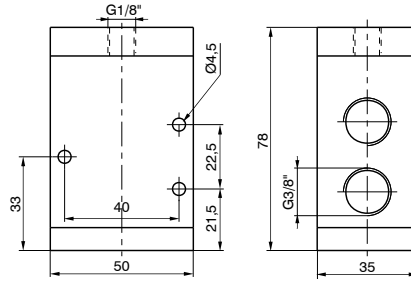
	G3/8"	G1/2"- G3/4"	G1"	G1 1/2"
Body	Aluminium	Zinc alloy	Aluminium	Aluminium
Actuators rod	Stainless steel			
Bottom plates	Aluminium			
Piston seals	NBR			
Springs	Stainless steel			
Poppets	NBR			
Pistons	Aluminium			

Use and maintenance

These valves and solenoid valves have an average service life of approximately 10 - 15 million cycles under optimum conditions of usage. They do not need to be lubricated to operate well, but good filtration is recommended to prevent dirt accumulation inside. Ensure that the conditions of use are consistent with the indicated limits, pressure, temperature, etc. Take care to protect the discharge outlets of the valves in the presence of dirt and powder. When the self feeding version is used in the solenoid valves, check that the supply flow rate is greater than or equal to that of use, otherwise switch to the version with external pilot. The ordering codes refer to solenoid valves with "M2" or "M2/V" mechanicals mounted. The solenoid coils are not included and have to be ordered separately (see summary page for solenoid coils). Certified solenoid coils are also available 

Series 700

Pneumatic-Spring

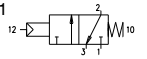


Weight 360 g

Ordering code	
779/V.32.11.F	
FUNCTION	
F	1C=Normally Closed
	1A=Normally Open

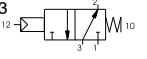
For vacuum - N.O.

Exhaust: Port 1
Outlet: Port 2
Pump: Port 3



For vacuum - N.C.

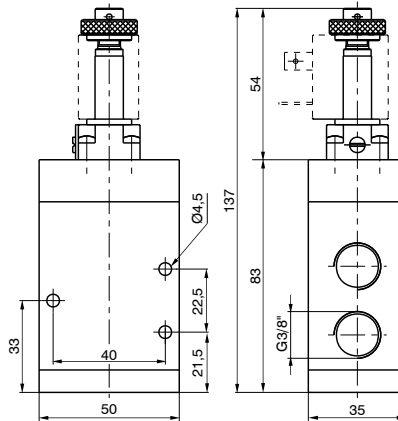
Exhaust: Port 3
Outlet: Port 2
Pump: Port 1



Operational characteristics

Fluid	Vacuum
Minimum piloting pressure (bar)	2
Temperature °C	-10 ... +70
Orifice size (mm)	10
Working port size	G3/8"
Pilot port size	G1/8"
Response time according to ISO 12238 energised (ms)	1C = 12 - 1A = 13
Response time according to ISO 12238 de-energised (ms)	1C = 46 - 1A = 48

Solenoid-Spring-Self feeding

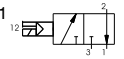


Weight 420 g

Ordering code	
779/V.32.0.F.M2/V	
FUNCTION	
F	1AA=Normally Open
	1AC=Normally Closed

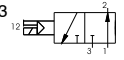
For vacuum - N.O.

Exhaust: Port 1
Outlet: Port 2
Pump: Port 3



For vacuum - N.C.

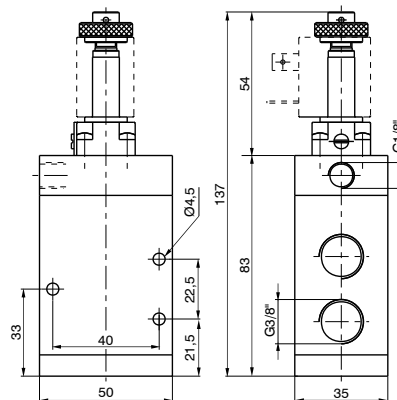
Exhaust: Port 3
Outlet: Port 2
Pump: Port 1



Operational characteristics

Fluid	Vacuum
Temperature °C	-10 ... +50
Orifice size (mm)	10
Working port size	G3/8"
Pilot port size	G1/8"
Response time according to ISO 12238 energised (ms)	1AC = 26 - 1AA = 16
Response time according to ISO 12238 de-energised (ms)	1AC = 9 - 1AA = 11

Solenoid-Spring-External feeding

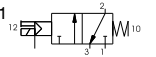


Weight 420 g

Ordering code	
779/V.32.0.F.M2	
FUNCTION	
F	1A=Normally Open
	1C=Normally Closed

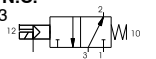
For vacuum - N.O.

Exhaust: Port 1
Outlet: Port 2
Pump: Port 3



For vacuum - N.C.

Exhaust: Port 3
Outlet: Port 2
Pump: Port 1



Operational characteristics

Fluid	Vacuum
Minimum piloting pressure (bar)	2
Temperature °C	-10 ... +50
Orifice size (mm)	10
Working port size	G3/8"
Pilot port size	G1/8"
Response time according to ISO 12238 energised (ms)	1C = 10 - 1A = 11
Response time according to ISO 12238 de-energised (ms)	1C = 35 - 1A = 36

Valves and solenoid valves poppet system Series PG

Valves and solenoid valves poppet system for vacuum applications with high flow rates.



They are manufactured in 3/2 and 2/2 versions, both normally closed and normally open. There is an additional seal on the piston which isolates connection 3 from the piloting, allowing the normally open and vacuum self-powered versions (not

available in the previous series for sizes G1/2" – G3/4" – G1") Body and operators are made of die-cast aluminium and processed with protective epoxy paint.

Construction characteristics

	G 1/2" - 1/2" NPT	G 3/4" - 3/4" NPT	G 1" - 1" NPT	G 1 1/2" - 1 1/2" NPT
Body, operator and end cover	Aluminium			
Actuators rod	Steel			
Bottom plates	Aluminium			
Seals and poppets	NBR			
Springs	Stainless steel			
Pin guide	Stainless steel			
Pistons	Acetal Resin			

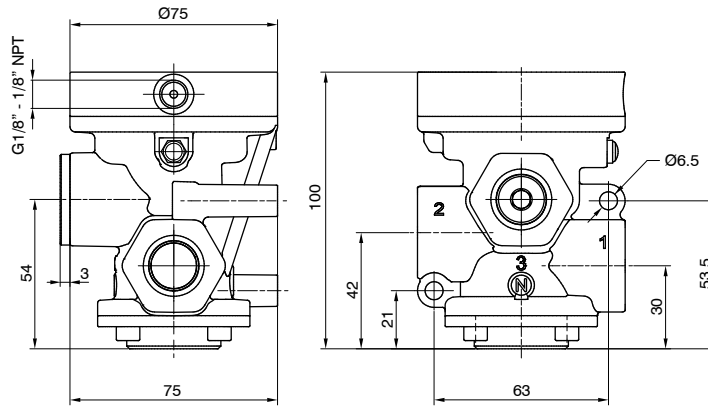
These valves have a mean life of 10 to 15 million cycles under normal operating conditions. Lubrication is not required for good operation but we recommend good filtration to avoid dirty deposit causing malfunction. Please ensure that the valve is being used according with the manufacturers specification, such as air pressure and temperature. the exhaust port of the distributor has to be protected in a dusty and dirty environment. For these products, according to the construction technique and special application, is not required any maintenance with parts replacement. When necessary it is sufficient to clean the internal parts. When it is used the solenoid valves with internal pilot, inlet flow rate must be equal or higher that the required consumption flow rate. Otherwise is better choose the external pilot version.

Pneumatic - Spring

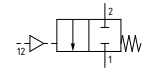
Operational characteristics	
Fluid	Vacuum
Minimum pilot pressure (bar)	2
Temperature °C	-5 ... +70
Orifice size (mm)	15
Working ports size	G1/2" - 1/2" NPT
Pilot ports size	G1/8" - 1/8" NPT
Max. vacuum (mmHg)	758,5

Ordering code	
PC2VN11E 00000	
C	CONNECTIONS
	G = Gas thread N = NPT thread
N	WAYS NUMBER
	2 = 2 ways, 2 positions 3 = 3 ways, 2 positions
F	FUNCTION
	A = Normally Open (only for 3 ways) C = Normally Closed

2/2



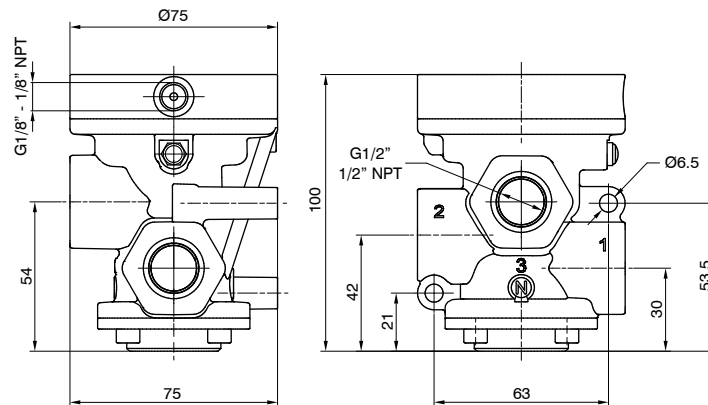
N.C.
Pump 1
Outlet port 2
Exhaust port 3 (closed)



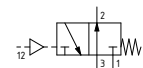
Weight 675,5 g

PC2V211E00000

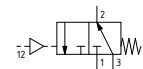
3/2



N.O.
Pump 3
Outlet port 2
Outlet port 1



N.C.
Pump 1
Outlet port 2
Exhaust port 3



Weight 648,5 g

PC2V311E00000



Solenoid-Spring

Operational characteristics	
Fluid	Vacuum
Minimum pilot pressure (bar)	2 (external feeding version)
Temperature °C	-5 ... +50
Orifice size (mm)	15
Working ports size	G1/2" - 1/2" NPT
Pilot ports size	G1/8" - G1/8" NPT
Max. vacuum (mmHg)	758,5
Minimum operating vacuum (mmHg)	250 (self feeding version)

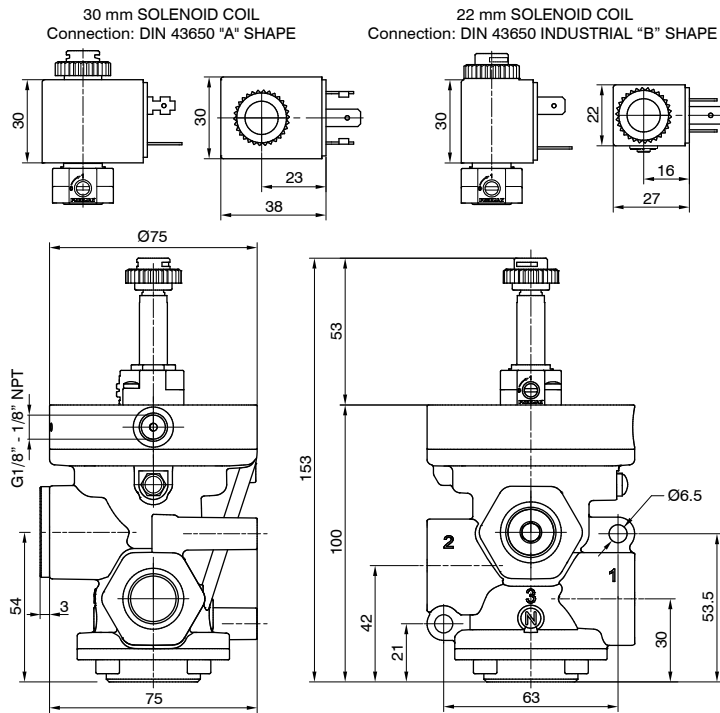
Ordering code	
PC2V(N)01(V)F(T)	
CONNECTIONS	
G	Gas thread
N	NPT thread
WAYS NUMBER	
2	2 ways, 2 positions
3	3 ways, 2 positions
VERSION	
V	A = Self feeding E = External feeding
FUNCTION	
F	A = Normally Open (only for 3 ways) C = Normally Closed
VOLTAGE (22 MM SOLENOID COIL)	
S40B0	= 12 VDC
S50B0	= 24 VDC
S60B0	= 24 V 50/60 Hz
S70B0	= 110 V 50/60 Hz
S80B0	= 230 V 50/60 Hz
10000	= Without solenoid coil
VOLTAGE (30 MM SOLENOID COIL)	
S40C0	= 12 VDC
S50C0	= 24 VDC
S60C0	= 24 V 50/60 Hz
S70C0	= 110 V 50/60 Hz
S80C0	= 230 V 50/60 Hz
10000	= Without solenoid coil

2/2



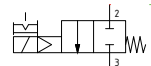
Weight 720,5 g

PC2V201(V)F(T)



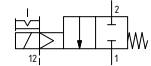
Self feeding - N.C.

Pump 3
Outlet port 2
Outlet port 1 (closed)



External feeding - N.C.

Pump 1
Outlet port 2
Exhaust port 3 (closed)

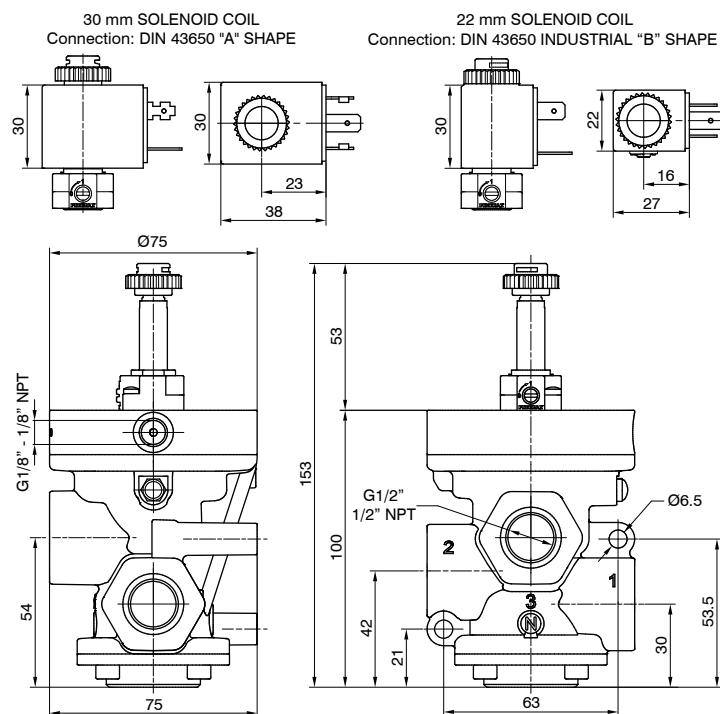


3/2



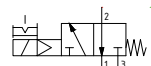
Weight 693,5 g

PC2V301(V)F(T)



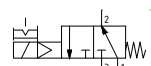
Self feeding - N.O.

Pump 1
Outlet port 2
Exhaust port 3



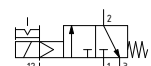
Self feeding - N.C.

Pump 3
Outlet port 2
Outlet port 1



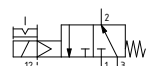
External feeding - N.O.

Pump 3
Outlet port 2
Outlet port 1



External feeding - N.C.

Pump 1
Outlet port 2
Exhaust port 3

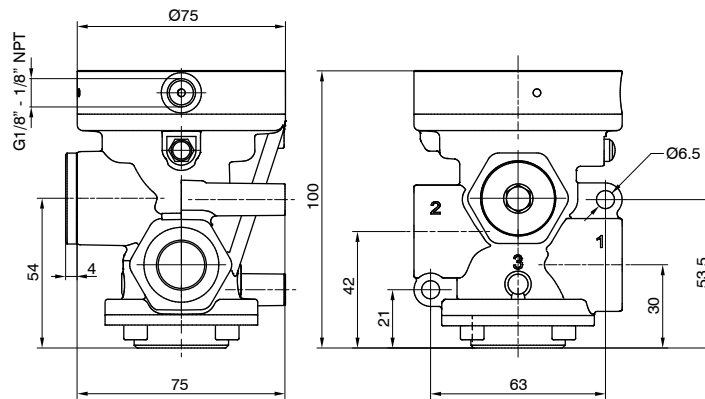


Pneumatic - Spring

Operational characteristics	
Fluid	Vacuum
Minimum pilot pressure (bar)	2
Temperature °C	-5 ... +70
Orifice size (mm)	20
Working ports size	G3/4" - 3/4" NPT
Pilot ports size	G1/8" - 1/8" NPT
Max. vacuum (mmHg)	758,5

Ordering code	
PC3V N 11E F 00000	
CONNECTIONS	
G	G = Gas thread
N	N = NPT thread
WAYS NUMBER	
2	2 = 2 ways, 2 positions
3	3 = 3 ways, 2 positions
FUNCTION	
A	A = Normally Open (only for 3 ways)
C	C = Normally Closed

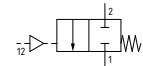
2/2



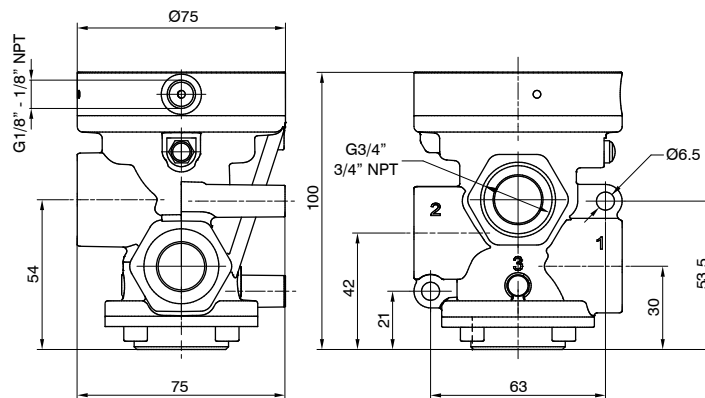
Weight 576,5 g

PC3V211E**F**00000

N.C.
Pump 1
Outlet port 2
Exhaust port 3 (closed)



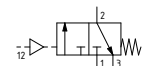
3/2



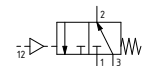
Weight 522,5 g

PC3V311E**F**00000

N.O.
Pump 3
Outlet port 2
Outlet port 1



N.C.
Pump 1
Outlet port 2
Exhaust port 3



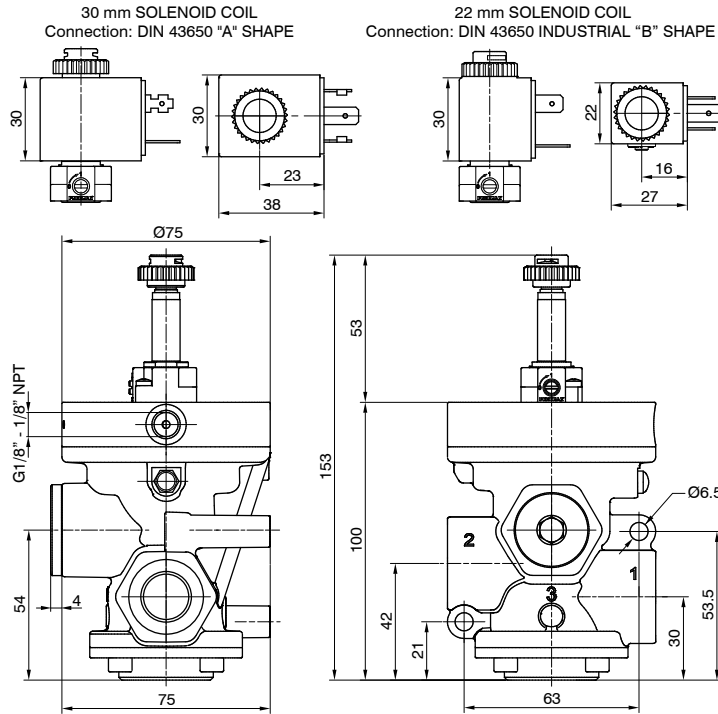


Solenoid-Spring

Operational characteristics	
Fluid	Vacuum
Minimum pilot pressure (bar)	2 (external feeding version)
Temperature °C	-5 ... +50
Orifice size (mm)	20
Working ports size	G3/4" - 3/4" NPT
Pilot ports size	G1/8" - 1/8" NPT
Max. vacuum (mmHg)	758,5
Minimum operating vacuum (mmHg)	250 ((self feeding version)

Ordering code	
PC3V(N)01(V)FT	
CONNECTIONS	
G	Gas thread
N	NPT thread
WAYS NUMBER	
2	2 ways, 2 positions
3	3 ways, 2 positions
VERSION	
V	A = Self feeding E = External feeding
FUNCTION	
F	A = Normally Open (only for 3 ways) C = Normally Closed
VOLTAGE (22 MM SOLENOID COIL)	
S40B0	= 12 VDC
S50B0	= 24 VDC
S60B0	= 24 V 50/60 Hz
S70B0	= 110 V 50/60 Hz
S80B0	= 230 V 50/60 Hz
10000	= Without solenoid coil
VOLTAGE (30 MM SOLENOID COIL)	
S40C0	= 12 VDC
S50C0	= 24 VDC
S60C0	= 24 V 50/60 Hz
S70C0	= 110 V 50/60 Hz
S80C0	= 230 V 50/60 Hz
10000	= Without solenoid coil

2/2



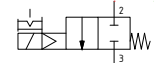
Weight 621,5 g

PC3V201(V)FT

3/2

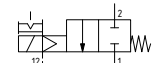
Self feeding - N.C.

Pump 3
Outlet port 2
Outlet port 1 (closed)

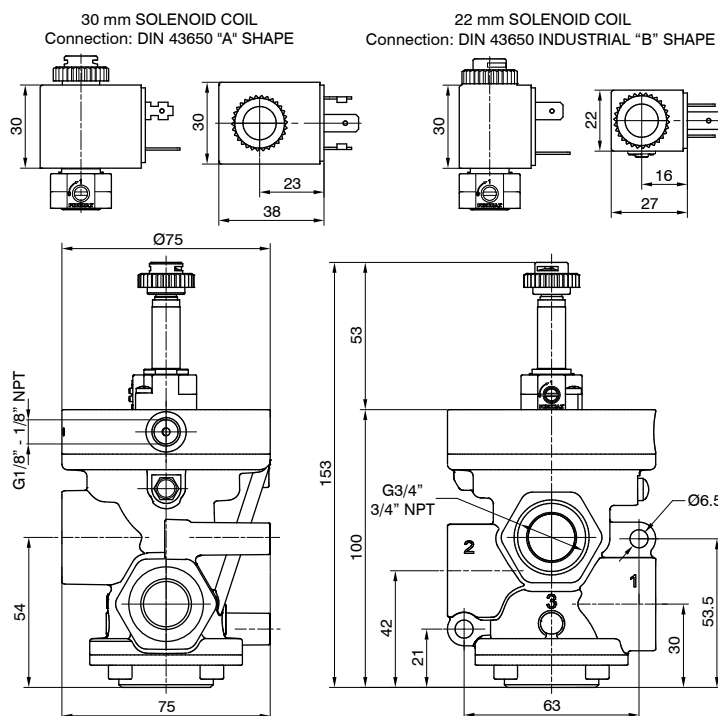


External feeding - N.C.

Pump 1
Outlet port 2
Exhaust port 3 (closed)



VALVES AND SOLENOID VALVES

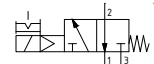


Weight 567,5 g

PC3V301(V)FT

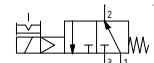
Self feeding - N.O.

Pump 1
Outlet port 2
Exhaust port 3



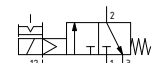
Self feeding - N.C.

Pump 3
Outlet port 2
Outlet port 1



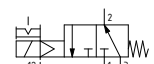
External feeding - N.O.

Pump 3
Outlet port 2
Outlet port 1



External feeding - N.C.

Pump 1
Outlet port 2
Exhaust port 3

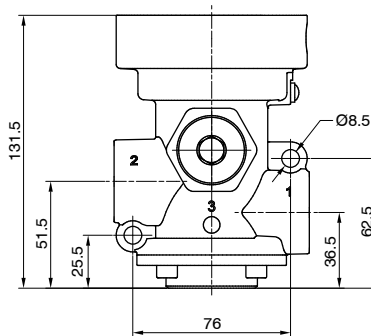
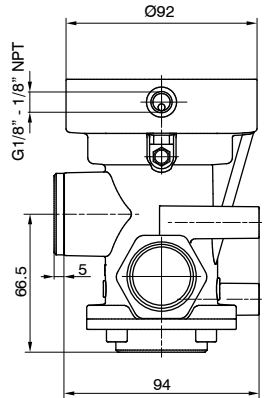


Pneumatic - Spring

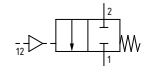
Operational characteristics	
Fluid	Vacuum
Minimum pilot pressure (bar)	2
Temperature °C	-5 ... +70
Orifice size (mm)	25
Working ports size	G1" - 1" NPT
Pilot ports size	G1/8" - 1/8" NPT
Max. vacuum (mmHg)	758,5

Ordering code	
PC1V N 11E F 00000	
CONNECTIONS	
C	G = Gas thread N = NPT thread
WAYS NUMBER	
N	2 = 2 ways, 2 positions 3 = 3 ways, 2 positions
FUNCTION	
F	A = Normally Open (only for 3 ways) C = Normally Closed

2/2



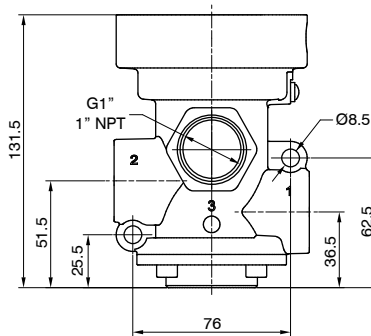
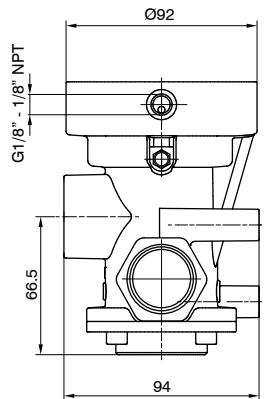
N.C.
Pump 1
Outlet port 2
Exhaust port 3 (closed)



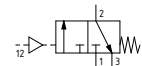
Weight 1231,5 g

PC1V211E**F**00000

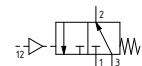
3/2



N.O.
Pump 3
Outlet port 2
Outlet port 1



N.C.
Pump 1
Outlet port 2
Exhaust port 3



Weight 1139,5 g

PC1V311E**F**00000



Solenoid-Spring

Operational characteristics	
Fluid	Vacuum
Minimum pilot pressure (bar)	2 (external feeding version)
Temperature °C	-5 ... +50
Orifice size (mm)	25
Working ports size	G1" - 1" NPT
Pilot ports size	G1/8" - 1/8" NPT
Max. vacuum (mmHg)	758,5
Minimum operating vacuum (mmHg)	250 (self feeding version)

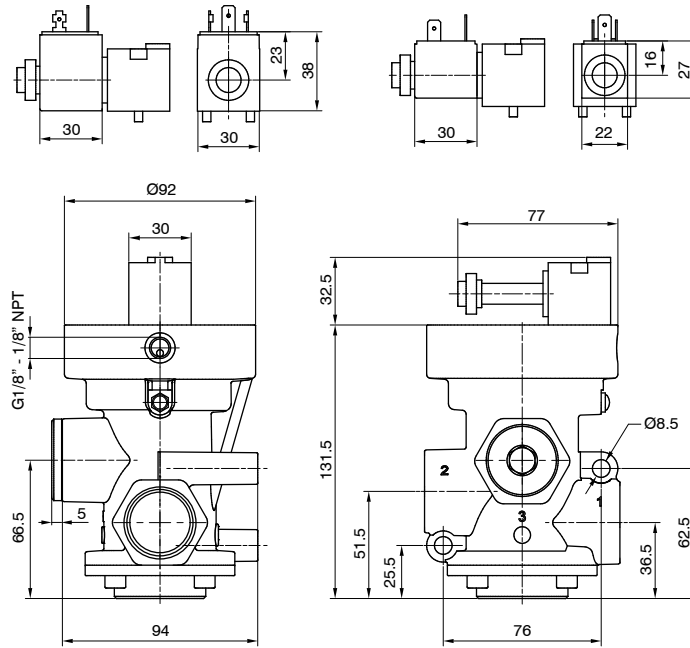
Ordering code	
PC1V(N)01(V)F(T)	
CONNECTIONS	
G	Gas thread
N	NPT thread
WAYS NUMBER	
2	2 ways, 2 positions
3	3 ways, 2 positions
VERSION	
V	A = Self feeding E = External feeding
FUNCTION	
F	A = Normally Open (only for 3 ways) C = Normally Closed
VOLTAGE (22 MM SOLENOID COIL)	
S40B0	= 12 VDC
S50B0	= 24 VDC
S60B0	= 24 V 50/60 Hz
S70B0	= 110 V 50/60 Hz
S80B0	= 230 V 50/60 Hz
10000	= Without solenoid coil
VOLTAGE (30 MM SOLENOID COIL)	
S40C0	= 12 VDC
S50C0	= 24 VDC
S60C0	= 24 V 50/60 Hz
S70C0	= 110 V 50/60 Hz
S80C0	= 230 V 50/60 Hz
10000	= Without solenoid coil

2/2



30 mm SOLENOID COIL
Connection: DIN 43650 "A" SHAPE

22 mm SOLENOID COIL
Connection: DIN 43650 INDUSTRIAL "B" SHAPE



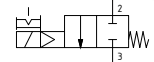
Weight 1290 g

PC1V201(V)F(T)

3/2

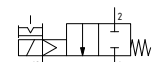
Self feeding - N.C.

Pump 3
Outlet port 2
Outlet port 1 (closed)



External feeding - N.C.

Pump 1
Outlet port 2
Exhaust port 3 (closed)

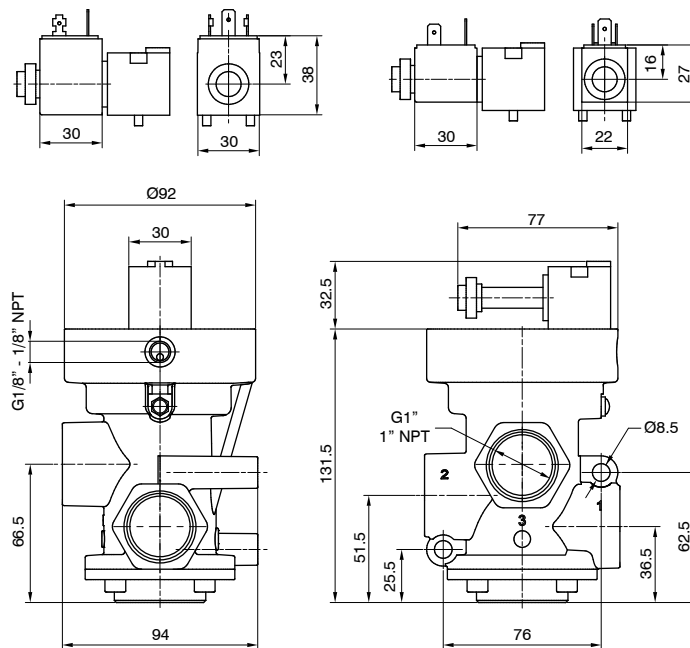


VALVES AND SOLENOID VALVES



30 mm SOLENOID COIL
Connection: DIN 43650 "A" SHAPE

22 mm SOLENOID COIL
Connection: DIN 43650 INDUSTRIAL "B" SHAPE



Weight 1198 g

PC1V301(V)F(T)

Self feeding - N.O.

Pump 1
Outlet port 2
Exhaust port 3



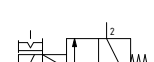
Self feeding - N.C.

Pump 3
Outlet port 2
Outlet port 1



External feeding - N.O.

Pump 3
Outlet port 2
Outlet port 1



External feeding - N.C.

Pump 1
Outlet port 2
Exhaust port 3

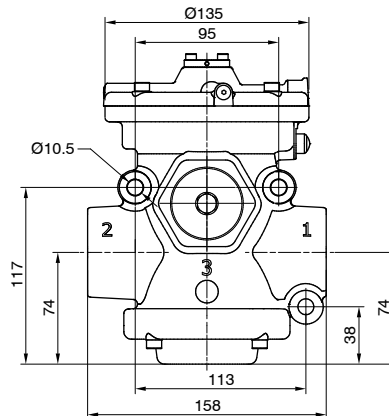
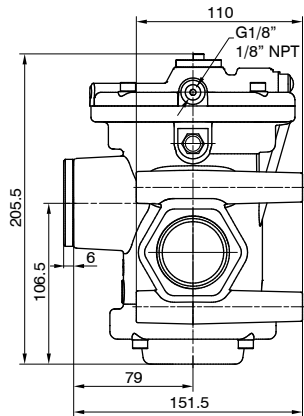


Pneumatic - Spring

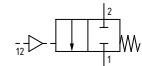
Operational characteristics	
Fluid	Vacuum
Minimum pilot pressure (bar)	2
Temperature °C	-5 ... +70
Orifice size (mm)	38
Working ports size	G1 1/2" - 1 1/2" NPT
Pilot ports size	G1/8" - 1/8" NPT
Max. vacuum (mmHg)	758,5

Ordering code	
PC6VN11E00000	
C	CONNECTIONS
	G = Gas thread N = NPT thread
N	WAYS NUMBER
	2 = 2 ways, 2 positions
	3 = 3 ways, 2 positions
F	FUNCTION
	A = Normally Open (only for 3 ways) C = Normally Closed

2/2



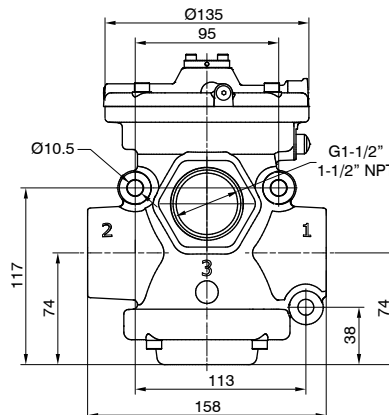
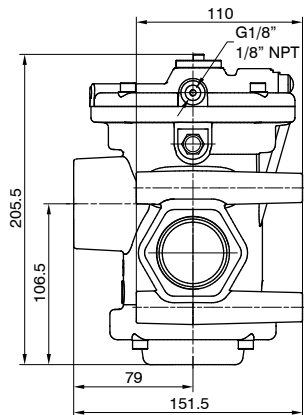
N.C.
Pump 1
Outlet port 2
Exhaust port 3 (closed)



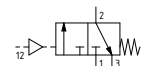
Weight 3417 g

PC6V211E00000

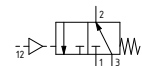
3/2



N.O.
Pump 3
Outlet port 2
Outlet port 1



N.C.
Pump 1
Outlet port 2
Exhaust port 3



Weight 3168 g

PC6V311E00000



Solenoid-Spring

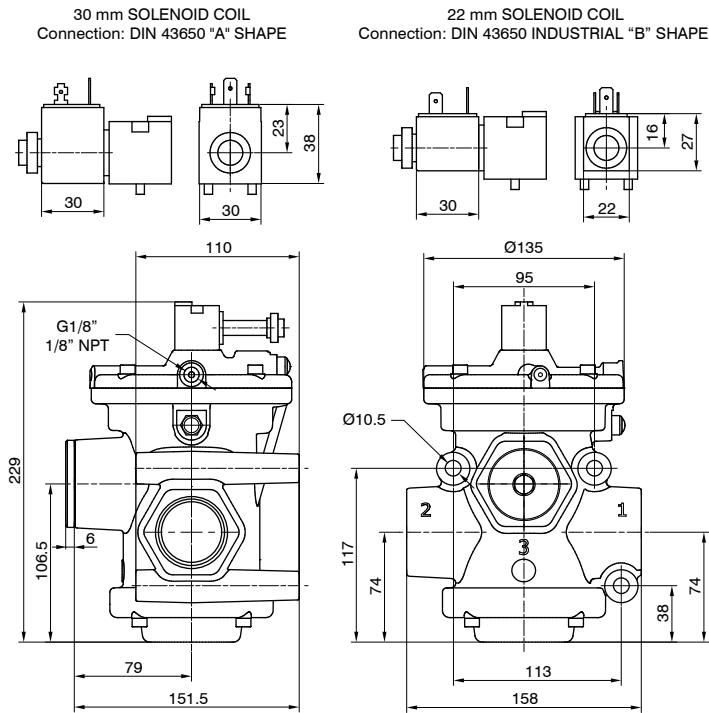
Operational characteristics	
Fluid	Vacuum
Minimum pilot pressure (bar)	2 (external feeding version)
Temperature °C	-5 ... +50
Orifice size (mm)	38
Working ports size	G1 1/2" - 1 1/2" NPT
Pilot ports size	G1/8" - 1/8" NPT
Max. vacuum (mmHg)	758,5
Minimum operating vacuum (mmHg)	250 (self feeding version)

2/2



Weight 3491,5 g

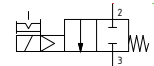
P06V201VFT



Ordering code	
P06V(N)01(V)FT	
CONNECTIONS	
G	Gas thread
N	NPT thread
WAYS NUMBER	
2	2 ways, 2 positions
3	3 ways, 2 positions
VERSION	
V	A = Self feeding
	E = External feeding
FUNCTION	
F	A = Normally Open (only for 3 ways)
	C = Normally Closed
VOLTAGE (22 MM SOLENOID COIL)	
S40B0	= 12 VDC
S50B0	= 24 VDC
S60B0	= 24 V 50/60 Hz
S70B0	= 110 V 50/60 Hz
S80B0	= 230 V 50/60 Hz
10000	= Without solenoid coil
VOLTAGE (30 MM SOLENOID COIL)	
S40C0	= 12 VDC
S50C0	= 24 VDC
S60C0	= 24 V 50/60 Hz
S70C0	= 110 V 50/60 Hz
S80C0	= 230 V 50/60 Hz
10000	= Without solenoid coil

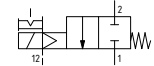
Self feeding - N.C.

Pump 3
Outlet port 2
Outlet port 1 (closed)



External feeding - N.C.

Pump 1
Outlet port 2
Exhaust port 3 (closed)

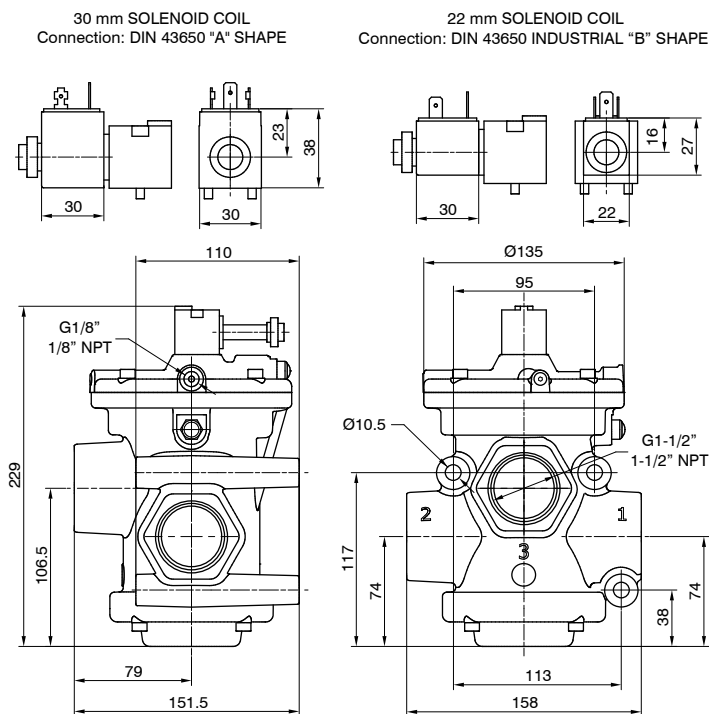


3/2



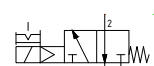
Weight 3242,5 g

P06V301VFT



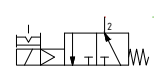
Self feeding - N.O.

Pump 1
Outlet port 2
Exhaust port 3



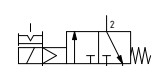
Self feeding - N.C.

Pump 3
Outlet port 2
Outlet port 1



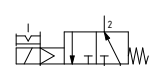
External feeding - N.O.

Pump 3
Outlet port 2
Outlet port 1



External feeding - N.C.

Pump 1
Outlet port 2
Exhaust port 3



Valves and solenoid valves poppet system Series T772-773

Valves and solenoid valves poppet system G1/2 "and G3/4" made of high resistance thermoplastic material.



VALVES AND SOLENOID VALVES

The use of thermoplastic materials has made possible to obtain significantly reduced weights respect to the zamak version and, most importantly, a cost optimization.

The use of a rolling diaphragm in place of the traditional piston, allowed to eliminate friction and wear on the seal. Except for the versions with an external vacuum supply and normally open self feeding vacuum. There is an additional seal provided on the piston which isolates the diaphragm connection 3 this makes it possible to improve the functionality of the valve.

For versions with microsolenoid internal or external supply, there is a fast discharge system incorporated in the operator, which reduces the response time for repositioning the valve by 60%.


The MP version of the solenoid actuator requires an external air or vacuum supply. The MV version uses a self feeding vacuum.

Construction characteristics

Body, operator and end cover	High resistance technopolymer
Seals and poppets	Oil resistant rubber (NBR)
Piston and shaft	Acetal resin
Springs	AISI 302 stainless steel
Diaphragm	Oil resistant rubber (NBR)

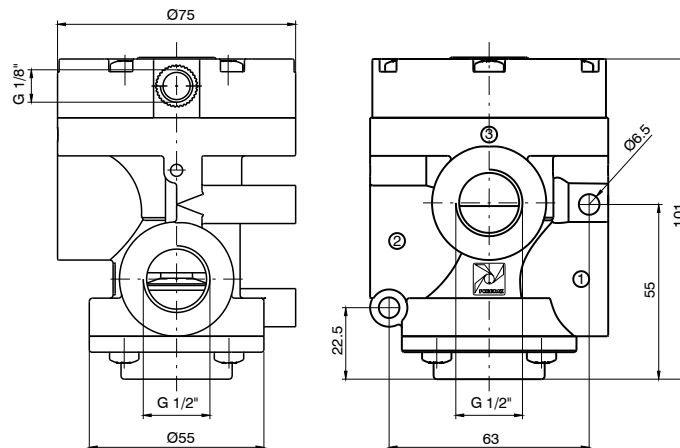


Use and maintenance

These valves and solenoid valves have an average service life of approximately 10 - 15 million cycles under optimum conditions of usage. They do not need to be lubricated to operate well, but good filtration is recommended to prevent dirt accumulation inside. Ensure that the conditions of use are consistent with the indicated limits, pressure, temperature, etc. Take care to protect the discharge outlets of the valves in the presence of dirt and powder. When the self feeding version is used in the solenoid valves, check that the supply flow rate is greater than or equal to that of use, otherwise switch to the version with external pilot. The ordering codes refer to solenoid valves with "MP" or "MV" mechanicals mounted. The solenoid coils are not included and have to be ordered separately (see General Catalogue, Series 300, Section 1) with the exception of the bistable versions which already have solenoid coils 24V DC (N331.0A). Certified solenoid coils are also available  (see Series 300).

Series T700

Pneumatic-Spring

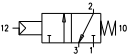


Ordering code

T772/V.32.11.1

For vacuum - N.O.

Exhaust: Port 1
Outlet: Port 2
Pump: Port 3



For vacuum - N.C.

Exhaust: Port 3
Outlet: Port 2
Pump: Port 1

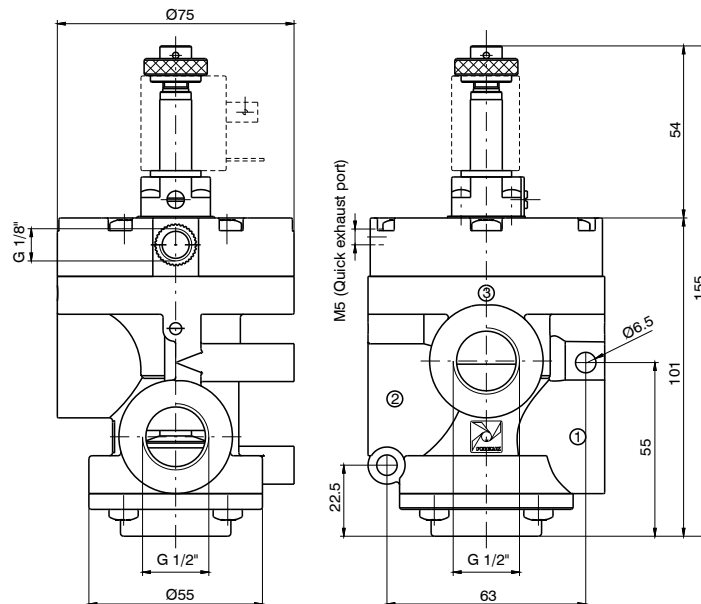


Weight 350 g

Operational characteristics

Fluid	Vacuum
Minimum piloting pressure (bar)	2,5
Temperature °C	-5 ... +50
Orifice size (mm)	15
Working port size	G1/2"
Pilot port size	G1/8"
Response time according to ISO 12238 energised (ms)	N.C. = 50 - N.O. = 27
Response time according to ISO 12238 de-energised (ms)	N.C. = 150 - N.O. = 195

Solenoid-Spring-Self feeding



Ordering code

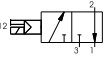
T772/V.32.0.F.MV

FUNCTION

F 1AA=Normally Open
1AC=Normally Closed

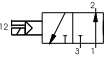
For vacuum - N.O.

Exhaust: Port 3
Outlet: Port 2
Pump: Port 1



For vacuum - N.C.

Exhaust: Port 1
Outlet: Port 2
Pump: Port 3

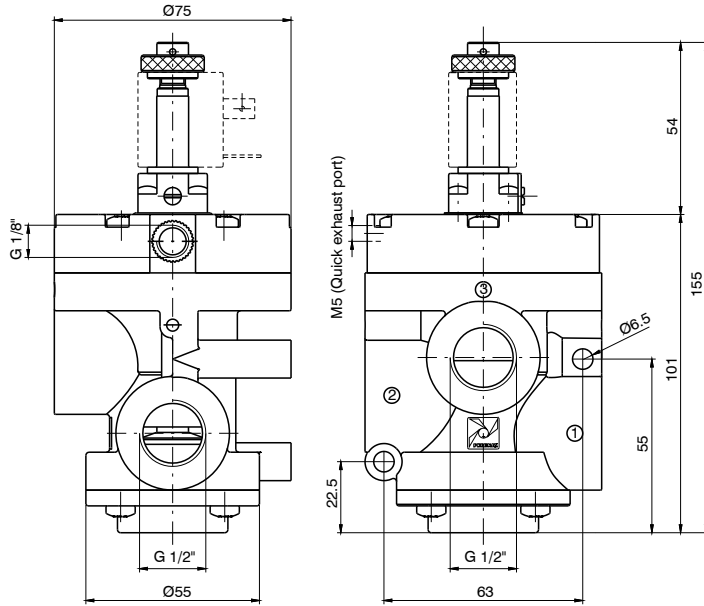


Weight 390 g

Operational characteristics

Fluid	Vacuum
Temperature °C	-5 ... +50
Orifice size (mm)	15
Working port size	G1/2"
Pilot port size	G1/8"
Response time according to ISO 12238 energised (ms)	1AC = 55 - 1AA = 33
Response time according to ISO 12238 de-energised (ms)	1AC = 30 - 1AA = 38

Solenoid-Spring-External feeding



Ordering code
T772/V.32.0.1.MP

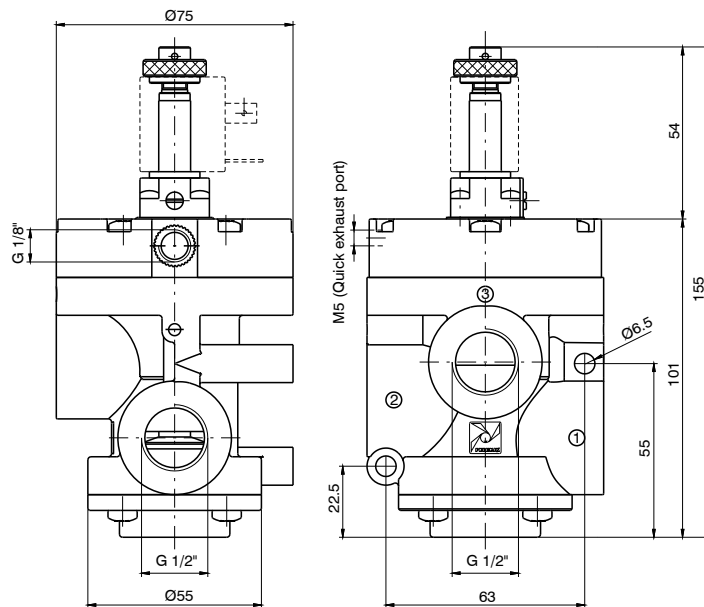
For vacuum - N.O.
Exhaust: Port 1
Outlet: Port 2
Pump: Port 3

For vacuum - N.C.
Exhaust: Port 3
Outlet: Port 2
Pump: Port 1

Weight 390 g

Operational characteristics	
Fluid	Vacuum
Minimum piloting pressure (bar)	2,5
Temperature °C	-5 ... +50
Orifice size (mm)	15
Working port size	G1/2"
Pilot port size	G1/8"
Response time according to ISO 12238 energised (ms)	N.C. = 42 - N.O. = 22
Response time according to ISO 12238 de-energised (ms)	N.C. = 135 - N.O. = 175

Solenoid-Spring-Self feeding



Ordering code
T772/VS.32.0.1.MP

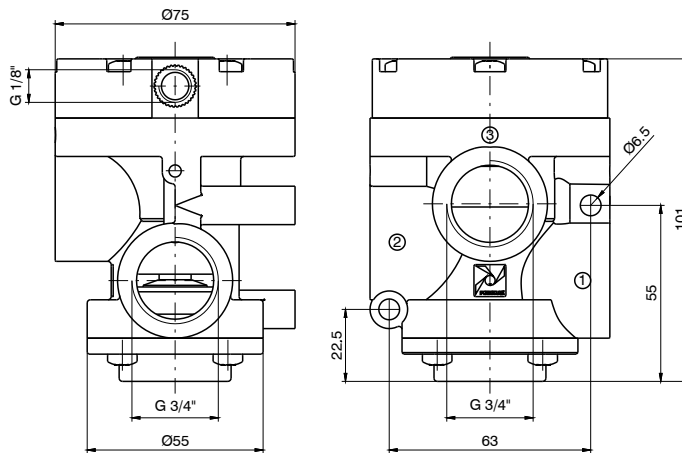
For vacuum - N.O.
Exhaust: Port 3
Outlet: Port 2
Pump: Port 1

For vacuum - N.C.
Exhaust: Port 1
Outlet: Port 2
Pump: Port 3

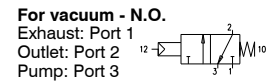
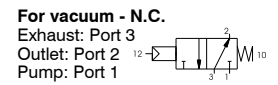
Weight 390 g

Operational characteristics	
Fluid	Vacuum
Minimum piloting pressure (bar)	2,5
Temperature °C	-5 ... +50
Orifice size (mm)	15
Working port size	G 1/2"
Pilot port size	G 1/8"
Response time according to ISO 12238 energised (ms)	N.C. = 43 - N.O. = 25
Response time according to ISO 12238 de-energised (ms)	N.C. = 37 - N.O. = 42

Pneumatic-Spring



Ordering code
T773/V.32.11.1

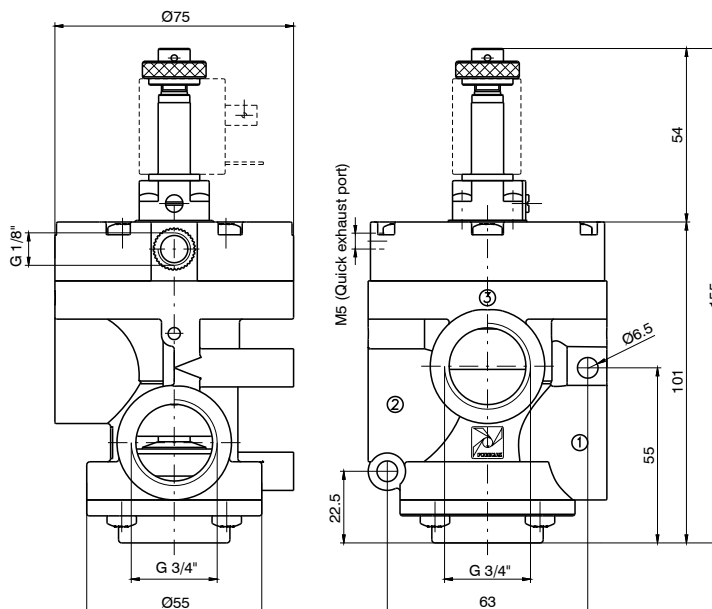


Weight 330 g

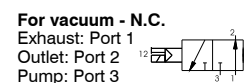
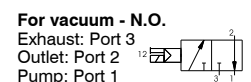
Operational characteristics

Fluid	Vacuum
Minimum piloting pressure (bar)	2,5
Temperature °C	-5 ... +50
Orifice size (mm)	20
Working port size	G3/4"
Pilot port size	G1/8"
Response time according to ISO 12238 energised (ms)	N.C. = 28 - N.O. = 50
Response time according to ISO 12238 de-energised (ms)	N.C. = 190 - N.O. = 150

Solenoid-Spring-Self feeding



Ordering code
T773/V.32.0.F.MV
FUNCTION
1AA=Normally Open
1AC=Normally Closed

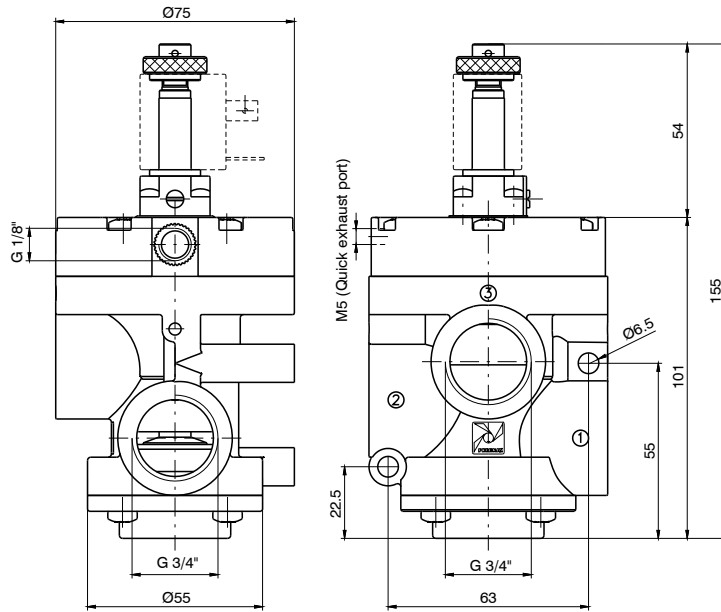


Weight 370 g

Operational characteristics

Fluid	Vacuum
Temperature °C	-5 ... +50
Orifice size (mm)	20
Working port size	G3/4"
Pilot port size	G1/8"
Response time according to ISO 12238 energised (ms)	1AC = 35 - 1AA = 32
Response time according to ISO 12238 de-energised (ms)	1AC = 30 - 1AA = 80

Solenoid-Spring-External feeding



Ordering code
T773/V.32.0.1.MP

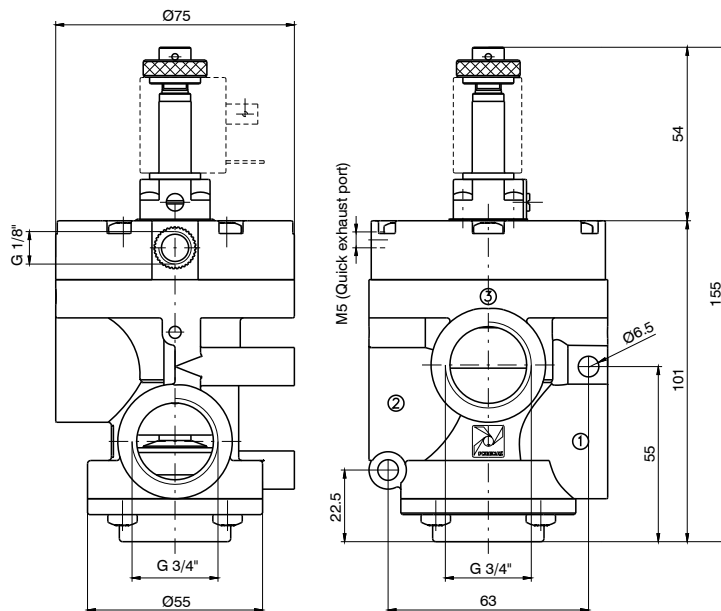
For vacuum - N.O.
Exhaust: Port 1
Outlet: Port 2
Pump: Port 3

For vacuum - N.C.
Exhaust: Port 3
Outlet: Port 2
Pump: Port 1

Weight 350 g

Operational characteristics	
Fluid	Vacuum
Minimum piloting pressure (bar)	2,5
Temperature °C	-5 ... +50
Orifice size (mm)	20
Working port size	G3/4"
Pilot port size	G1/8"
Response time according to ISO 12238 energised (ms)	N.C. = 25 - N.O. = 40
Response time according to ISO 12238 de-energised (ms)	N.C. = 175 - N.O. = 145

Solenoid-Spring-External feeding with quick exhaust



Ordering code
T773/VS.32.0.1.MP

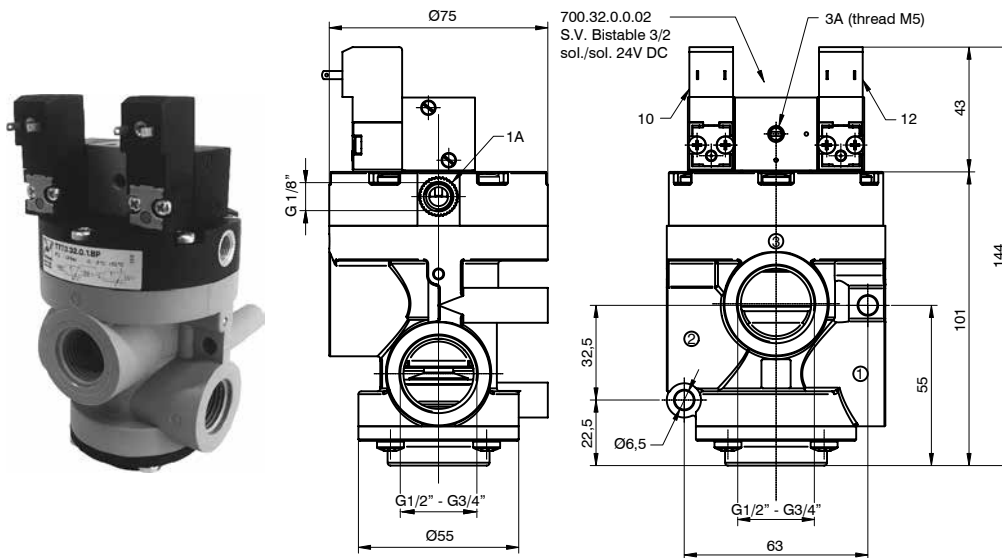
For vacuum - N.O.
Exhaust: Port 3
Outlet: Port 2
Pump: Port 1

For vacuum - N.C.
Exhaust: Port 1
Outlet: Port 2
Pump: Port 3

Weight 390 g

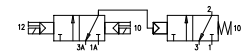
Operational characteristics	
Fluid	Vacuum
Minimum piloting pressure (bar)	2,5
Temperature °C	-5 ... +50
Orifice size (mm)	20
Working port size	G3/4"
Pilot port size	G1/8"
Response time according to ISO 12238 energised (ms)	N.C. = 25 - N.O. = 42
Response time according to ISO 12238 de-energised (ms)	N.C. = 40 - N.O. = 38

Bistable version for vacuum G1/2"

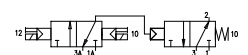


Ordering code
T772/V.32.0.1.BP

For vacuum - N.O.
Exhaust: Port 3
Outlet: Port 2
Pump: Port 1



For vacuum - N.C.
Exhaust: Port 1
Outlet: Port 2
Pump: Port 3

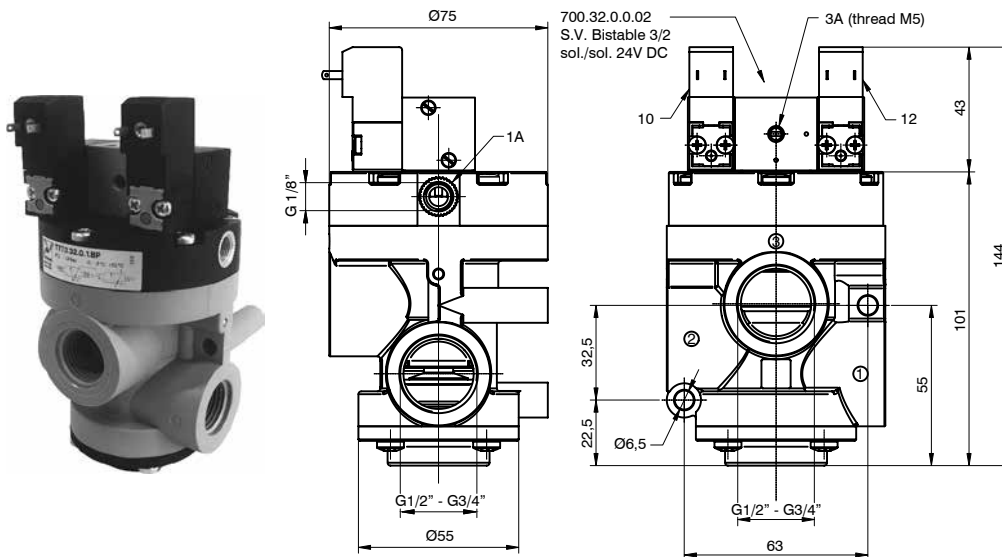


Weight 550 g

Operational characteristics

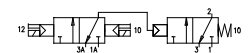
Fluid	Vacuum
Minimum piloting pressure (bar)	2,5
Temperature °C	-5 ... +50
Orifice size (mm)	15
Working port size	G 1/2"
Pilot port size	G 1/8"

Bistable version for vacuum G3/4"



Ordering code
T773/V.32.0.1.BP

For vacuum - N.O.
Exhaust: Port 3
Outlet: Port 2
Pump: Port 1



For vacuum - N.C.
Exhaust: Port 1
Outlet: Port 2
Pump: Port 3

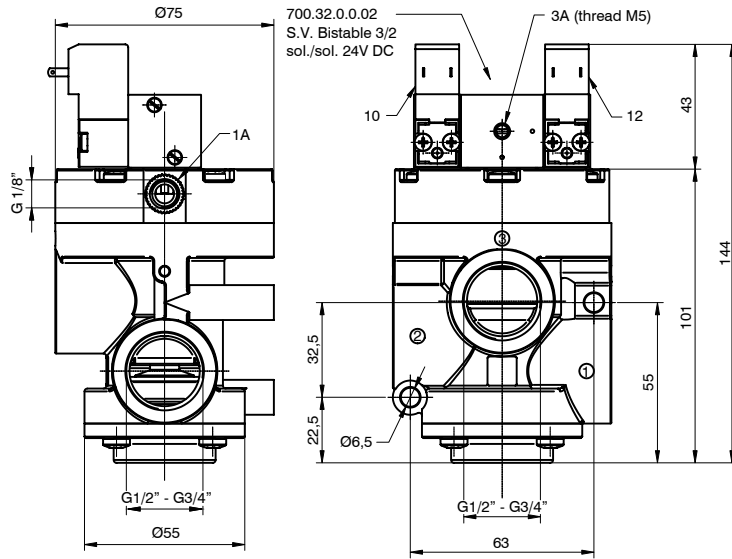


Weight 550 g

Operational characteristics

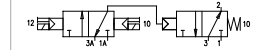
Fluid	Vacuum
Minimum piloting pressure (bar)	2,5
Temperature °C	-5 ... +50
Orifice size (mm)	15
Working port size	G 3/4"
Pilot port size	G 1/8"

Bistable version for vacuum G1/2" with quick exhaust

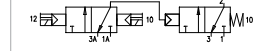


Ordering code
T772/VS.32.0.1.BP

For vacuum - N.C.
Exhaust: Port 1
Outlet: Port 2
Pump: Port 3



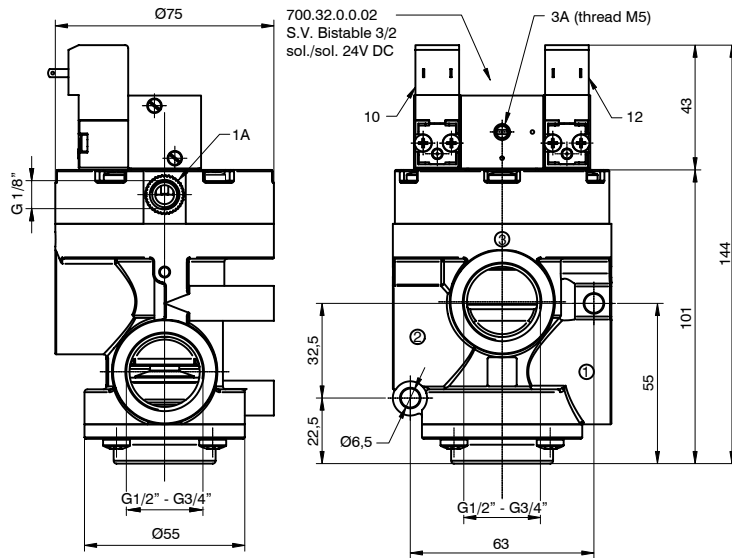
For vacuum - N.O.
Exhaust: Port 3
Outlet: Port 2
Pump: Port 1



Weight 550 g

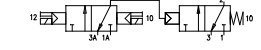
Operational characteristics	
Fluid	Vacuum
Minimum piloting pressure (bar)	2,5
Temperature °C	-5 ... +50
Orifice size (mm)	15
Working port size	G 1/2"
Pilot port size	G 1/8"

Bistable version for vacuum G3/4" with quick exhaust

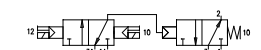


Ordering code
T773/VS.32.0.1.BP

For vacuum - N.O.
Exhaust: Port 3
Outlet: Port 2
Pump: Port 1



For vacuum - N.C.
Exhaust: Port 1
Outlet: Port 2
Pump: Port 3



Weight 550 g

Operational characteristics	
Fluid	Vacuum
Minimum piloting pressure (bar)	2,5
Temperature °C	-5 ... +50
Orifice size (mm)	15
Working port size	G3/4"
Pilot port size	G1/8"

VALVES AND SOLENOID VALVES

Valves and solenoid valves poppet system Series T771

The series of valves and solenoid valves poppet system G1" complete the range of technopolymer valves T700 series.



Even for this version, the main feature is the high-resistance thermoplastic material from which the components are moulded. This made it possible to obtain an aesthetically pleasing product with a considerably reduced weight compared to the standard version, and, most importantly, a cost optimization.

As for the versions of 1/2" and 3/4" there were also technical and functional changes made, starting with the use of a rolling diaphragm in place of the traditional piston, thus eliminating friction and wear on the seal.

With the exception of the normally open (N.O.) self feeding vacuum version. In this case an additional seal is provided on the piston which isolates the diaphragm connection 3, which improves the functionality of the valve.


For the versions with microsolenoids that are internally or externally supplied, a quick discharge system is available, incorporated in the operator, which reduces the valve's repositioning response times by a further 80%. The MP version of the solenoid actuator requires an external vacuum supply. The MV version uses a self feeding vacuum. Double versions are also available, equipped with a solenoid valve 3/2 Solenoid-Solenoid complete with 15mm 24V DC microactuators (code N331.0A).



Construction characteristics

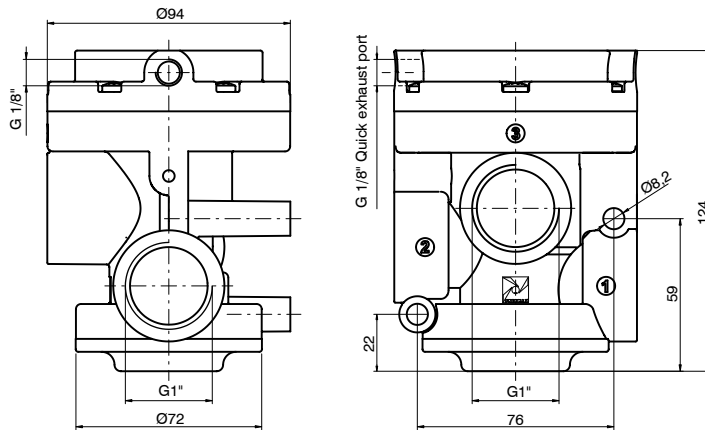
Body, operator and end cover	High resistance technopolymer
Seals and poppets	Oil resistant rubber (NBR)
Piston and shaft	Acetal resin
Springs	AISI 303 stainless steel
Diaphragm	Oil resistant rubber (NBR)

Use and maintenance

These valves and solenoid valves have an average service life of approximately 10 - 15 million cycles under optimum conditions of usage. They do not need to be lubricated to operate well, but good filtration is recommended to prevent dirt accumulation inside. Ensure that the conditions of use are consistent with the indicated limits, pressure, temperature, etc. Take care to protect the discharge outlets of the valves in the presence of dirt and powder. When the self feeding version is used in the solenoid valves, check that the supply flow rate is greater than or equal to that of use, otherwise switch to the version with external pilot. The ordering codes refer to solenoid valves with "MP" or "MV" mechanicals mounted. The solenoid coils are not included and have to be ordered separately (see General Catalogue, Series 300, Section 1) with the exception of the bistable versions which already have solenoid coils 24V DC (N331.0A). Certified solenoid coils are also available  (see Series 300).

Series T771

Pneumatic-Spring



Ordering code
T771/V.32.11.1

For vacuum - N.C.
Exhaust: Port 3
Outlet: Port 2
Pump: Port 1

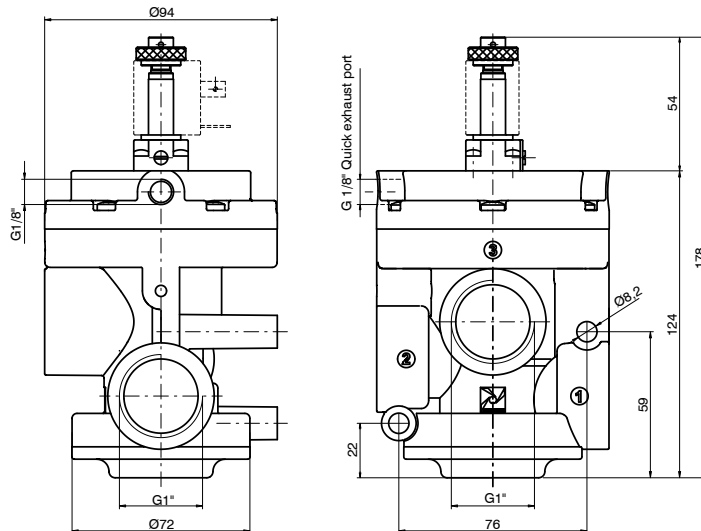
For vacuum - N.O.
Exhaust: Port 1
Outlet: Port 2
Pump: Port 3

Weight 480 g

Operational characteristics

Fluid	Vacuum
Minimum piloting pressure (bar)	2
Temperature °C	-5 ... +50
Orifice size (mm)	25
Working port size	G 1"
Pilot port size	G 1/8"
Response time according to ISO 12238 energised (ms)	N.C. = 55 - N.O. = 19
Response time according to ISO 12238 de-energised (ms)	N.C. = 320 - N.O. = 450

Solenoid-Spring-Self feeding



Ordering code
T771/V.32.0.F.MV
FUNCTION
F 1AC=Normally Closed
1AA=Normally Open

For vacuum - N.O.
Exhaust: Port 3
Outlet: Port 2
Pump: Port 1

For vacuum - N.C.
Exhaust: Port 1
Outlet: Port 2
Pump: Port 3

Weight 520 g

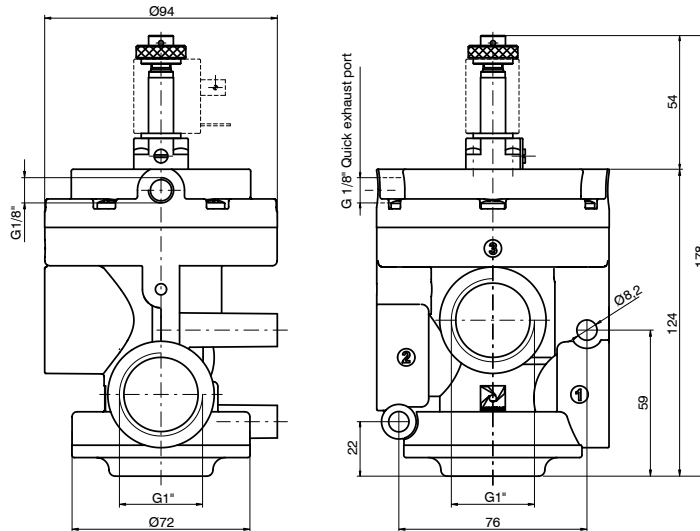
Operational characteristics

Fluid	Vacuum
Temperature °C	-5 ... +50
Orifice size (mm)	25
Working port size	G 1"
Pilot port size	G 1/8"
Response time according to ISO 12238 energised (ms)	1AC = 100 - 1AA = 80
Response time according to ISO 12238 de-energised (ms)	1AC = 60 - 1AA = 60

Solenoid-Spring-External feeding



Weight 520 g



Ordering code
T771/V.32.0.1.MP

For vacuum - N.O.
Exhaust: Port 1 12
Outlet: Port 2
Pump: Port 3

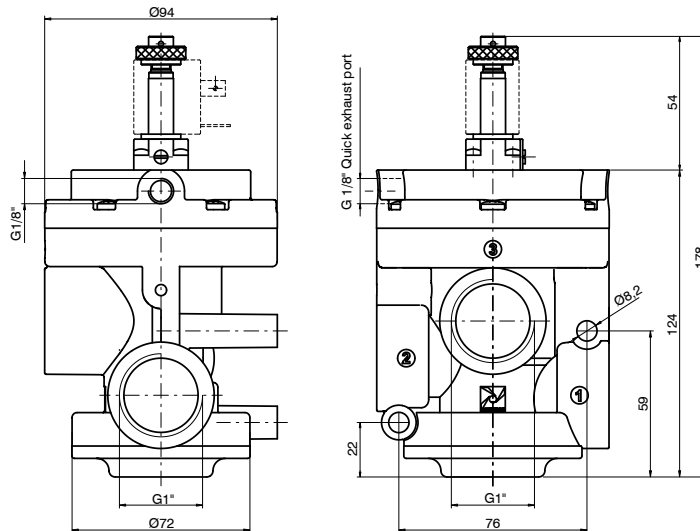
For vacuum - N.C.
Exhaust: Port 3
Outlet: Port 2 12
Pump: Port 1

Operational characteristics	
Fluid	Vacuum
Minimum piloting pressure (bar)	2
Temperature °C	-5 ... +50
Orifice size (mm)	25
Working port size	G 1"
Pilot port size	G 1/8"
Response time according to ISO 12238 energised (ms)	N.C. = 50 - N.O. = 19
Response time according to ISO 12238 de-energised (ms)	N.C. = 315 - N.O. = 450

Solenoid-Spring-External feeding with quick exhaust



Weight 520 g



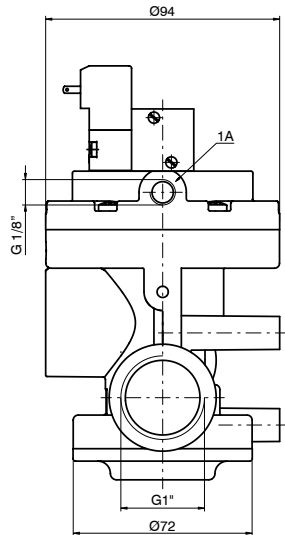
Ordering code
T771/VS.32.0.1.MP

For vacuum - N.O.
Exhaust: Port 3 12
Outlet: Port 2
Pump: Port 1

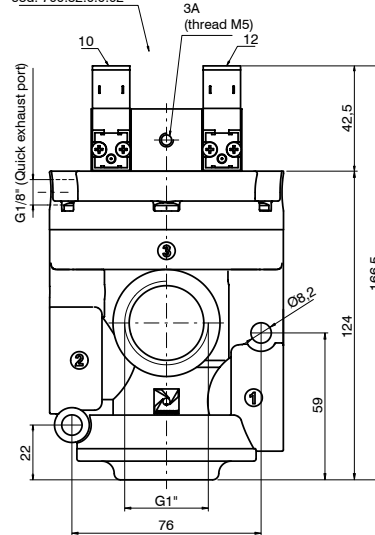
For vacuum - N.C.
Exhaust: Port 1 12
Outlet: Port 2
Pump: Port 3

Operational characteristics	
Fluid	Vacuum
Minimum piloting pressure (bar)	2
Temperature °C	-5 ... +50
Orifice size (mm)	25
Working port size	G 1"
Pilot port size	G 1/8"
Response time according to ISO 12238 energised (ms)	N.C. = 50 - N.O. = 19
Response time according to ISO 12238 de-energised (ms)	N.C. = 50 - N.O. = 70

Bistable version for vacuum G1"

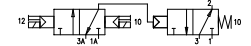


S.V. Bistable 3/2 sol./sol. 24 V DC
cod. 700.32.0.0.02



Ordering code
T771/V.32.0.1.BP

For vacuum - N.C.
Exhaust: Port 1
Outlet: Port 2
Pump: Port 3



For vacuum - N.O.
Exhaust: Port 3
Outlet: Port 2
Pump: Port 1

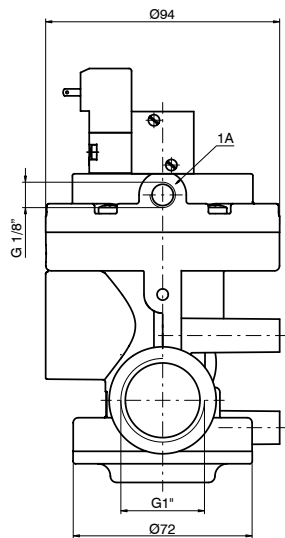


Weight 680 g

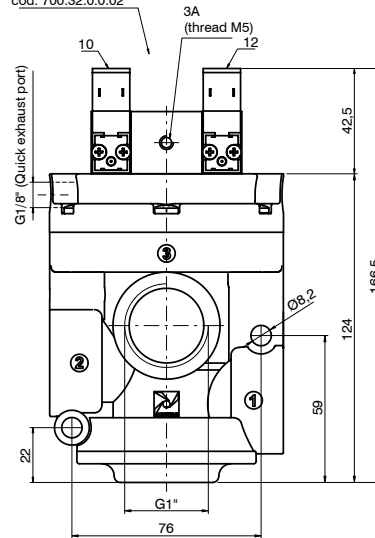
Operational characteristics

Operational characteristics	
Fluid	Vacuum
Minimum piloting pressure (bar)	2,5
Temperature °C	-5 ... +50
Orifice size (mm)	25
Working port size	G1"
Pilot port size	G1/8"

Bistable version for vacuum G1" with exhaust

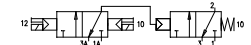


S.V. Bistable 3/2 sol./sol. 24 V DC
cod. 700.32.0.0.02

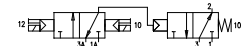


Ordering code
T771/VS.32.0.1.BP

For vacuum - N.O.
Exhaust: Port 3
Outlet: Port 2
Pump: Port 1



For vacuum - N.C.
Exhaust: Port 1
Outlet: Port 2
Pump: Port 3



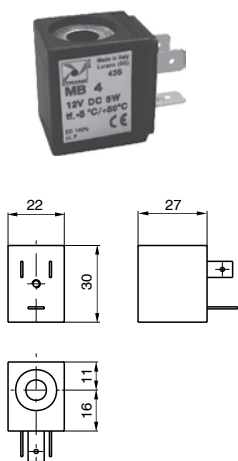
Weight 680 g

Operational characteristics

Operational characteristics	
Fluid	Vacuum
Minimum piloting pressure (bar)	2,5
Temperature °C	-5 ... +50
Orifice size (mm)	25
Working port size	G1"
Pilot port size	G1/8"

Solenoid coils

Solenoid coils (for Series 771, 772, 773, 779, T772, T773, T771 and N776)



Weight 52 g

Standard Version

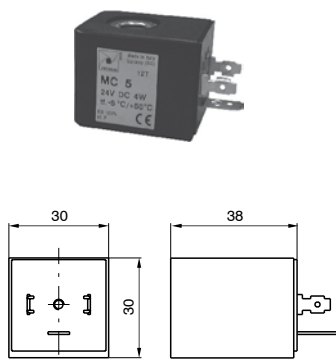
Ordering code	Available voltages
MB 4	12 D.C. Direct current
MB 5	24 D.C. Direct current
MB 6	48 D.C. Direct current
MB 9 *	24 D.C. (2 Watt) (Direct current, low consumption)
MB 17	24/50 Alternating current 50 Hz
MB 21	48/50 Alternating current 50 Hz
MB 22	110/50 Alternating current 50 Hz
MB 24	230/50 Alternating current 50 Hz
MB 37	24/60 Alternating current 60 Hz
MB 39	110/60 Alternating current 60 Hz
MB 41	230/60 Alternating current 60 Hz
MB 56	24/50-60 Alternating current 50/60 Hz
MB 57	110/50-60 Alternating current 50/60 Hz
MB 58	230/50-60 Alternating current 50/60 Hz
MB 66 **	24/50-60 Alternating current 50/60 Hz
MB 67 **	110/50-60 Alternating current 50/60 Hz
MB 68 **	230/50-60 Alternating current 50/60 Hz

* Use only with M2/9
** low consumption

Version US

Ordering code	Available voltages
UMB 4	12 D.C. Direct current
UMB 5	24 D.C. Direct current
UMB 56	24/50-60 Alternating current 50/60 Hz
UMB 57	110 ... 120/50-60 Alternating current 50/60 Hz
UMB 58	230/50-60 Alternating current 50/60 Hz

Solenoid coils (for Series N776)



Weight 110 g

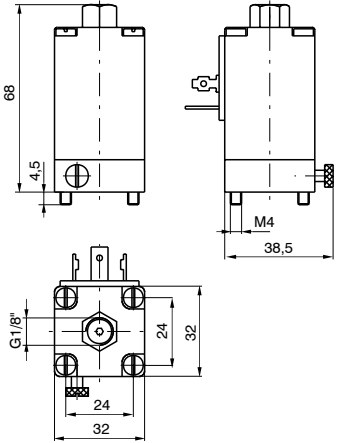
Standard Version

Ordering code	Available voltages
MC 5	24 D.C. Direct current
MC 9	24 D.C. (2 Watt) Direct current
MC 56	24/50-60 Alternating current 50/60 Hz
MC 57	110/50-60 Alternating current 50/60 Hz
MC 58	230/50-60 Alternating current 50/60 Hz

Version US

Ordering code	Available voltages
UMC 5	24 D.C. Direct current
UMC 56	24/50-60 Alternating current 50/60 Hz
UMC 57	110 ... 120/50-60 Alternating current 50/60 Hz
UMC 58	230/50-60 Alternating current 50/60 Hz

► Solenoid valve (for Series 776)



Versione Standard

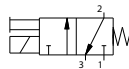
Ordering code	Available voltages
S 2	6 D.C. Direct current
S 4	12 D.C. Direct current
S 5	24 D.C. Direct current
S 6	48 D.C. Direct current
S 16	12/50 Alternating current 50 Hz
S 17	24/50 Alternating current 50 Hz
S 19	32/50 Alternating current 50 Hz
S 20	42/50 Alternating current 50 Hz
S 21	48/50 Alternating current 50 Hz
S 22	110/50 Alternating current 50 Hz
S 23	115/50 Alternating current 50 Hz
S 24	230/50 Alternating current 50 Hz
S 36	12/60 Alternating current 60 Hz
S 37	24/60 Alternating current 60 Hz
S 38	48/60 Alternating current 60 Hz
S 39	110/60 Alternating current 60 Hz
S 40	115/60 Alternating current 60 Hz
S 41	230/60 Alternating current 60 Hz
S 56	24/50-60 Alternating current 50/60 Hz
S 57	110/50-60 Alternating current 50/60 Hz
S 58	230/50-60 Alternating current 50/60 Hz

Versione c^{RU} US

Ordering code	Available voltages
US 4	12 D.C. Direct current
US 5	24 D.C. Direct current
US 56	24/50-60 Alternating current 50/60 Hz
US 57	110 ... 120/50-60 Alternating current 50/60 Hz
US 58	230/50-60 Alternating current 50/60 Hz

Weight 220 g

Normally Closed (N.C.)



Pad valves Series PVA

Pad valves are one of the more functional and efficient solutions for intercepting fluids.



The valves are composed of a bronze body, 2 ways, with pneumatic control, with a compact single or double acting cylinder with connections which can be turned 360°. Versions are available that have the gaskets in contact with the fluid, and are made of NBR, FPM or PTFE.

The liner profile allows use of magnetic sensors with codes "1500._", "RS._", "HS._", for type "A" slot.

Construction characteristics

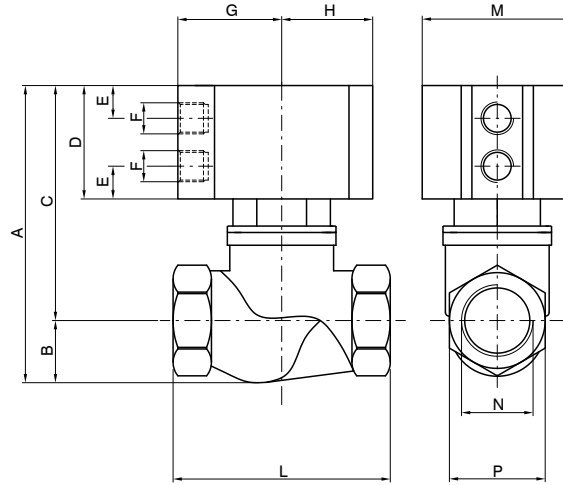
Rear eye, piston and rod bushing	Anodised aluminium
Cylinder	Aluminium alloy anodised
Spring	Zinc plated steel
Pneumatic cylinder seals	NBR (FPM for variants with seals in contact with fluid in FPM or PTFE)
Seals in contact with fluid	NBR, FPM, PTFE
Piston rod	Chromed stainless steel
Bushing, bushing pad, nut pad	Brass

Technical characteristics

Pneumatic cylinder fluid	Filtered air. No lubrication needed, if applied it shall be continuous
Valve fluid	Vacuum - air intake
Actuator - Maximum working pressure (bar)	10
Pad Valve - Maximum working pressure (-kPa)	101,3
Temperature °C, Non magnetic piston, NBR seals	-10 ... +70
Non magnetic piston, FPM seals	-10 ... +150
Non magnetic piston, PTFE seals	-10 ... +150
Magnetic piston, NBR, FPM, PTFE seals	-10 ... +70

Series PVA

► **"T" body version pad valve**



Ordering code	
PVA.B.A.ⓐ.T.Ⓜ	
ACTING	
ⓐ DE= Double acting	
SC= Normally closed	
SA= Normally open	
PISTON	
Ⓜ N= Non magnetic	
M= Magnetic	
CONNECTIONS	
A= G1/4"	
B= G3/8"	
C= G1/2"	
ⓐ D= G3/4"	
E= G1"	
F= G1 1/4"	
G= G1 1/2"	
H= G2"	
SEALS	
Ⓜ N= NBR	
V= FPM	
F= PTFE	

Table of dimensions													Technical data				
Connection (N)	Non magnetic piston			Magnetic piston			B	E	F	G	H	L	M	P	Actuator (Ø)	Valvola (Ø)	Peso (g)
	A	C	D	A	C	D									40	13,5	350
G1/4	93,5	77,5	41	97,5	81,5	45	16	10,25	G1/8	32,5	28,5	64	47	25	40	13,5	350
G3/8	93,5	77,5	41	97,5	81,5	45	16	10,25		32,5	28,5	64	47	25	40	15	400
G1/2	93,5	78	41	99,5	82	45	17,5	10,25		32,5	28,5	68	47	30	63	20,5	850
G3/4	105	83	41	113	90	48	22	11,25		44	40	79	70	36	63	25	1100
G1	117	89	41	125	101	53	28	11,25		44	40	94	70	44	63	30	1400
G1 1/4	131	103	48	136	108	53	28	11,25		44	40	110	70	55	80	38	2100
G1 1/2	154	118	57	166	130	69	36	13,75		56	49	120	90	60	80	49,5	3000
G2	169	124	57	181	136	69	45	13,75		56	49	140	90	73			

2-way valves, for interception of fluids, pneumatically actuated by a compact double or single acting cylinder with 360° swivel connections, NBR, FPM or PTFE seals in contact with the fluid. The barrel profile allows the use of magnetic sensors PNEUMAX code "1500_", "RS_...", "RS_...", "HS_...", for sensor slot type "A" (see section 3, magnetic sensors series "SA" of the Pneumax General Catalogue).

Pad valves Series PVV

The PVV series vacuum valves are one of the most functional and efficient solutions for vacuum control, specifically designed for applications where large suction capacities is required. Thanks to the vacuum breaker function they are particularly suitable for handling applications.



The valves are made for the 3 ways body in aluminum or bronze and at the top a double-acting compact cylinder for actuation.

Construction characteristics

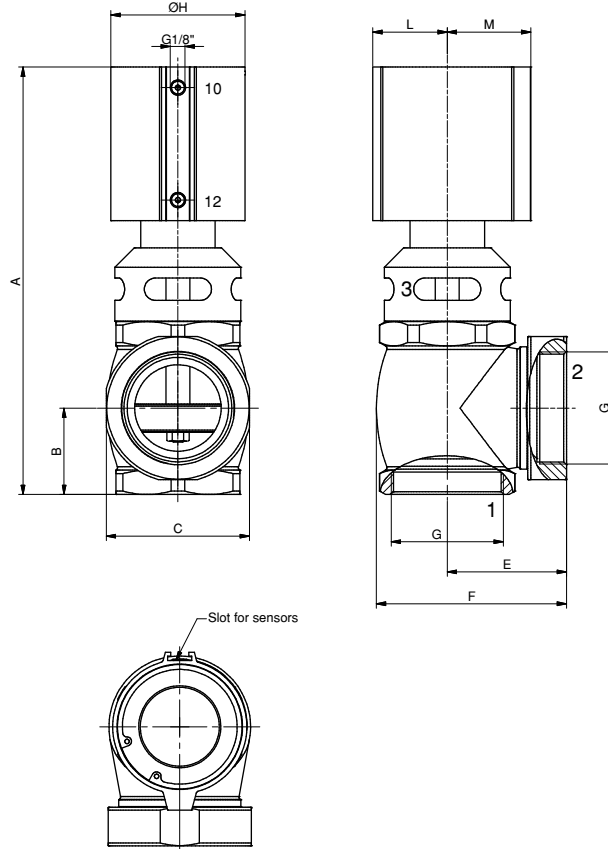
Valve body	G2" - Anodised aluminium / G1/2" - G3" - G4" - Bronze
Seals	NBR
Valve drain filter	Steel/Paper
Cylinder support	Anodised aluminium alloy
Cylinder	Anodised aluminium alloy
Cylinder seals	NBR
Cylinder piston rod material	C43 chromed

Operational characteristics

Valve fluid	Vacuum	
Orifice size	ø DN see the table	
Temperature	-5°C ... +70°C	
Working pressure (-kPa)	101,3	
Cylinder fluid	Compressed air filtered and non lubricated, if lubricated must be continuous	
Cylinder bore	G2" = ø 63 mm G2 1/2" - G3" - G4" = ø 80 mm	
Working pressure (bar)	2 ... 6	
The liner profile of the cylinder allows use of magnetic sensors:	1580	With adapter 1580.01F
	MRS	With adapter 1580.01F
	MHS	With adapter 1580.01F
		RS
		HS

Series PVV

Vacuum pad valve "L" body



Ordering code	
PVV.M.DE.P.L.C.N.S	
BODY MATERIAL	
M	A = Anodised aluminium (only for G2 1/2", G3" and G4") B = Bronze (only for G2 1/2", G3" and G4")
PISTON	
P	N = Non magnetic M = Magnetic
CONNECTION	
C	H = G 2" L = G 2"½ M = G 3" N = G 4"
EXHAUST	
S	F = Silenced L = Free

Table of dimensions

Size	A	B	C	DN	E	F	G	H	L	M
G2"	175	52,5	93	42	72	119	G2"	70	40	44
G2"1/2	290	58	96	50	80	128	G2"1/2	90	50	56
G3"	335	68	96	50	87	142	G3"	90	50	56
G4"	365	83	135	66	102	170	G4"	90	50	56

2-way valves to control fluids, pneumatic control with a compact double or single acting cylinder with connections that can turn 360°, seals in contact with fluid are made of NBR, FPM or PTFE. The liner profile allows use of PNEUMAX series 1500 magnetic sensors.

Construction characteristics

Body valve	G 2" - Anodised aluminium G 2"½ - G 3" - G 4" - Bronze
Spool support	Anodised aluminium
Shutter washers	Anodised aluminium
Seals	NBR
Filter	Steel/Paper
Cylinder support	Anodised aluminium
Body cylinder	Anodised aluminium
Rear end cap	Anodised aluminium
Piston	Anodised aluminium
Rod cylinder	C43 chromed
Cylinder connections	Orientable
Screws	Zinc plated steel

Operational characteristics

Valve fluid	Vacuum
Outlet diameter	Ø DN (see the table)
Exhaust diameter	Ø DS (see the table)
Temperature	-5°C ... +70°C
Fluid cylinder	Air filtered (if lubricated must be continuous)
Bore cylinder	G2 - Ø63 G2 ½ - G3 - G4 - Ø80
Pressure cylinder	2 ... 6 bar
Available sensors	"1500. _" - "1580*_ _" - "MRS*_ _" - "MHS*_ _" (* with adapter code 1580.01F)

REGULATORS

The Pneumax range of regulators include high precision manual regulators and electronic proportional pressure regulators air-vacuum or vacuum-vacuum versions, available in 3 sizes with flow rates of 7; 1.100 or 4.000 NI/min.



Index

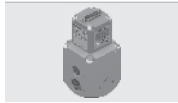
Manual regulator



Series 1700

116

Proportional regulators



Series 1900
Air-vacuum versions

117



Series 1900
Vacuum-vacuum version

123

Manual regulator Series 1700

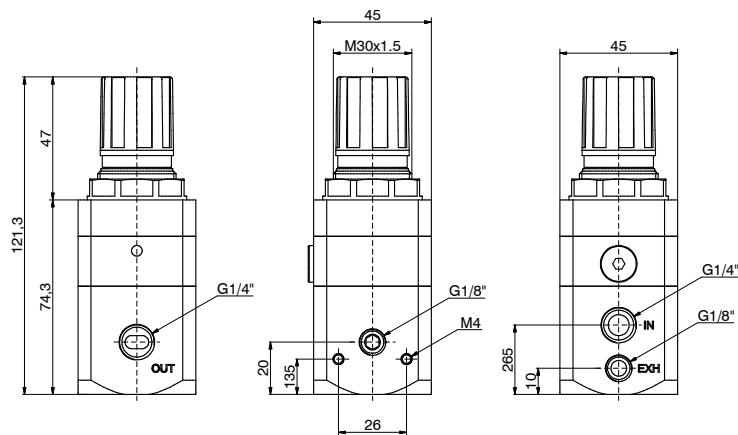
Vacuum degree regulation for applications requiring high stability and accuracy.



It has the function of regulating the negative vacuum pressure, keeping it stable at set value regardless of flow and variations in the degree of vacuum in the primary network. The units are of a double diaphragm construction and have been designed to exploit to their advantage any existing pressure differential between the

secondary depression and atmospheric pressure. The degree of vacuum is obtained by rotating the adjusting knob, rotating it clockwise to increase the amount of vacuum and anti clockwise to decrease it. They are used in all centralized systems where regardless of the vacuum in the main network a lower vacuum level is required for other applications.

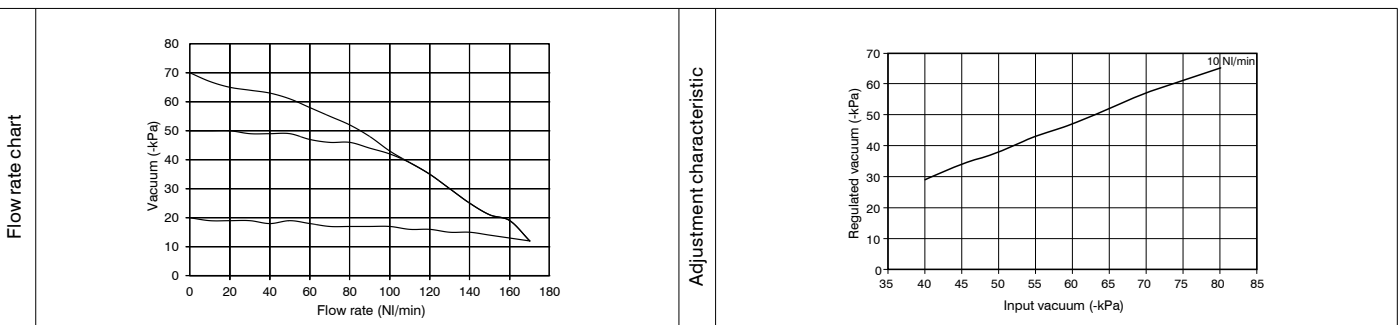
Regulator for vacuum



Ordering code
171S2B000V

Example: 171S2B000V
Regulator for vacuum G1/4"

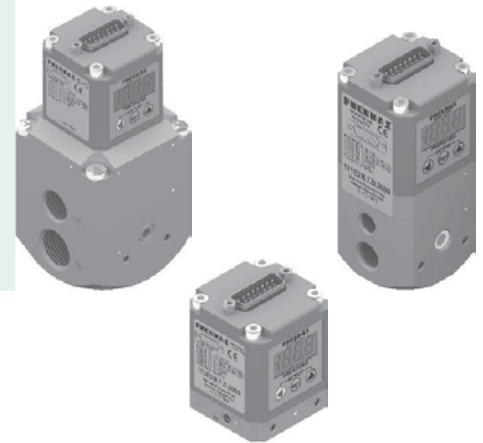
REGULATORS



Construction characteristics		Technical characteristics	
<ul style="list-style-type: none"> - Precision in keeping the set pressure value. - Sensitivity combined with high flow rate of the downstream overpressure discharge valve. - High flow rate with very low pressure drop. - Setting knob can be locked using pressure into the desired position. - Body made of light alloy. - Two attachments for vacuum gauge with a cap equipped with a gasket. - Ring nut for panel mounting. - Once the reducer has been placed under vacuum, air intake through the appropriate orifice. 		Connections	G1/4"
		Max. working pressure (-kPa)	101
		Working temperature °C	-5 ... +50
		Pressure gauge connections	G1/8"
		Weight (g)	400
		Mounting position	indifferent
		Max. fitting torque (Nm)	25
		Fluid	Filtered air 20 μm
		Diameter of panel mounting orifice (mm)	30

Proportional regulators Series 1900

Electronic proportional pressure regulator with closed Loop.
Air-vacuum and vacuum-vacuum versions.



Modern industrial applications require increasingly high performances from their pneumatic components. For example, the speed and thrust of a pneumatic cylinder, or the torque of a rotary actuator may need to be varied. These parameters often need to be modified dynamically while an operation is running.

This solution can be obtained by employing a proportional pressure regulator Series 1700 available in 3 sizes with flow rates of 7; 1.100 or 4.000 NI/min.

The model that manage the positive pressure that controls a vacuum generator and the negative pressure are then added to this range.

Application fields

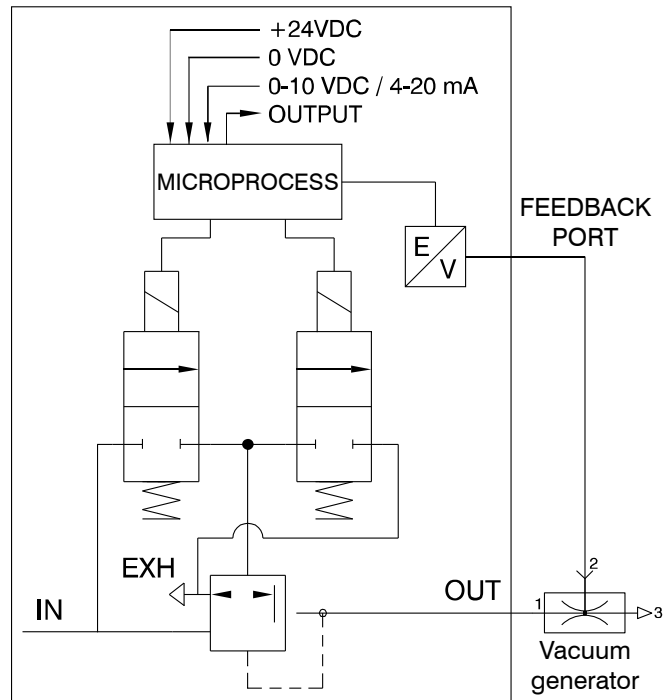
Typical applications will include the necessity to dynamically control the force of an actuator, be it thrust or torque or the degree of vacuum. Examples include: closing systems, painting systems, tensioning systems, packaging systems, pneumatic braking systems, force control for welding grippers, thickness compensation systems, balancing systems, laser cutting, pressure transducers for the control of modulating valves, test benches for system testing, force control for buffers on polishers, management of force exerted by suction cups in handling applications and management of the force exerted by the vacuum in the autoclaves.

Series 1900 air-vacuum version

Product description

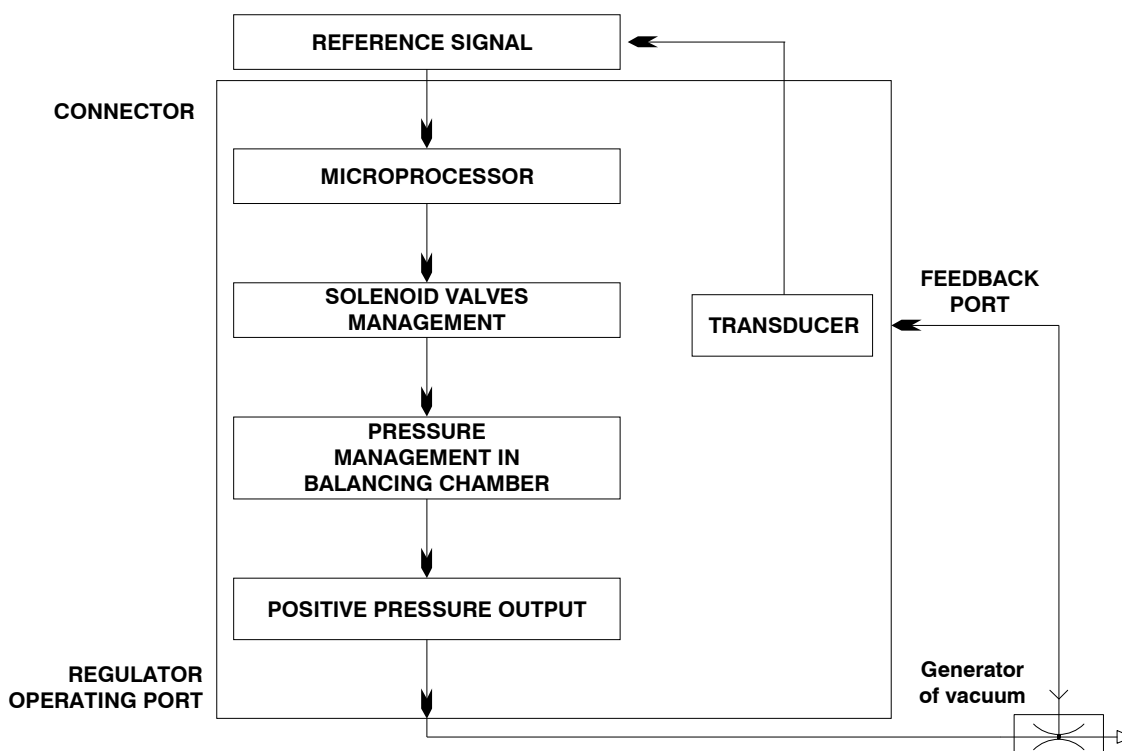
The pneumatic connections of the regulator require the aperture for supply and discharge to be on one side and the aperture for use on the opposite side. On the other two remaining sides there are apertures of G1/8" that are plugged up with removable plugs, however it is possible to connect a pressure gauge through them or use the connections as outputs. On the side where the service connection is, there is an M5 aperture where you can connect the return vacuum signal (to the pressure transducer). This option makes it possible to pick up the signal from a remote point rather than directly from the service connection. In the upper part of regulators there are control solenoid valves, the pressure sensor and the electronics for control. The part for electronically controlling the regulators is the same for all the 3 sizes. The new range of proportional regulators is supplied as standard with all the functionality initially considered only as optional; the only selections necessary in the ordering phase are thus related to the type of signal for control of voltage (T) or current (C) and the range of working pressures.

Functional diagram



CLOSED LOOP diagram (internal control circuit)

The proportional regulator is known as a CLOSED LOOP regulator because a pressure transducer in the circuit transmits a continuous analog signal to the microprocessor, which compares the reference value with the detected value and supplies the control solenoid valves accordingly.





CHARACTERISTICS

Pneumatic			
Fluid	5 micron filtered and dehumidified air		
Input minimum pressure	As a function of the type of vacuum generator		
Input max pressure	10 bar		
Output pressure	0 ... 9 bar		
Nominal flow rate from 1 to 2 (6 bar Δp 1 bar)	Size 0	Size 1	Size 3
	7 NI/min	1.100 NI/min	4.000 NI/min
Discharge flow rate (at 6 bar with overpressure of 1 bar)	7 NI/min	1.300 NI/min	4.500 NI/min
Air consumption	< 1 NI/min	< 1 NI/min	< 1 NI/min
Supply connection	M5	G1/4	G1/2
Service connection	M5	G1/4	G1/2
Discharge connection	Ø1,8	G1/8	G3/8
Maximum tightening torque for connections	3 Nm	15 Nm	15 Nm

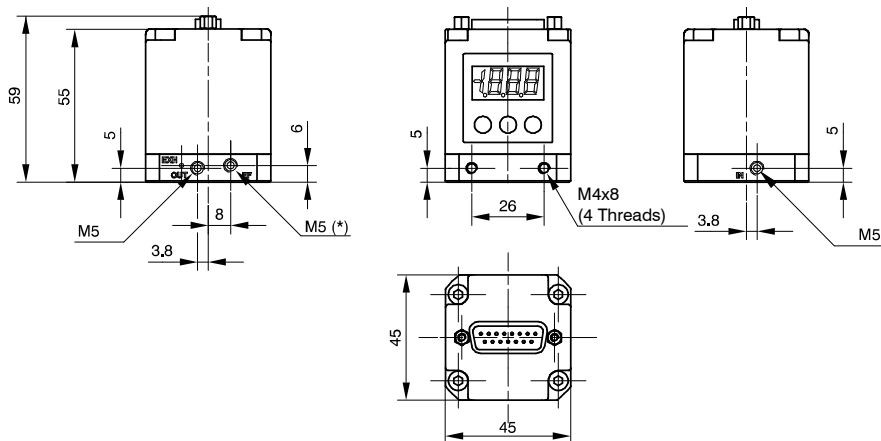
Electric	
Supply voltage	24 VDC \pm 10% (stabilized with ripple < 1%)
Current consumption in standby	70 mA
Current consumption with actuated S.V.	400 mA
**Reference signal	Voltage
	Current
**Input impedance	Voltage
	Current
**Digital inputs	24 VDC \pm 10%
**Digital output	24 VDC PNP (max current 50 mA)

Functional	
Linearity	\pm Insensitivity
Hysteresis	\pm Insensitivity
Repeatability	\pm Insensitivity
Sensitivity	0,01 bar
Assembly position	Indifferent
IP Rating	IP65 (with casing fitted)
Ambient temperature	-5°C ... 50°C / 23°F ... 122°F

Constructional			
Body	Anodised aluminum		
Shutters	Brass with vulcanised NBR		
Diaphragm	Cloth-covered rubber		
Seals	NBR		
Cover for electrical part	Technopolymer		
Springs	AISI 302		
Weight	Size 0	Size 1	Size 3
	168 g	360 g	850 g

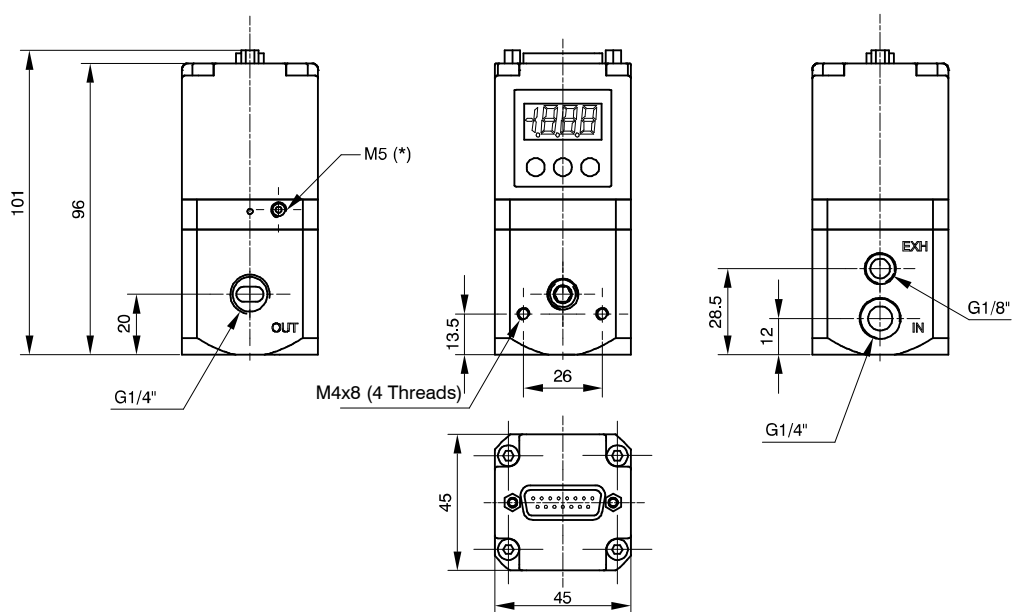
* Selectable by keyboard or by RS-232
 ** Valid only for devices with analog input

SIZE 0



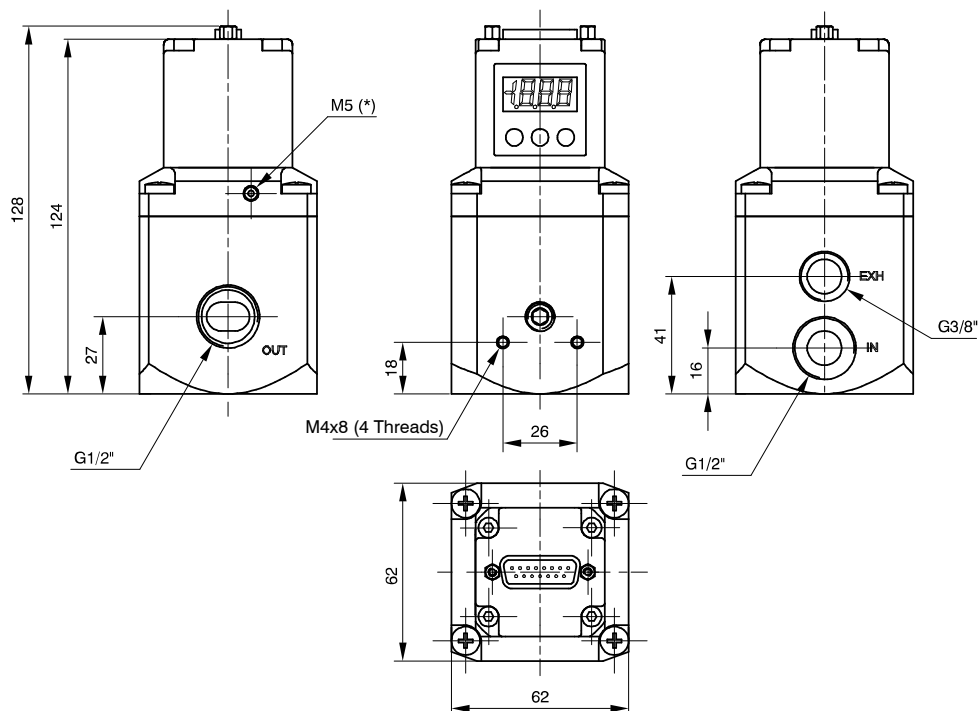
* EXTERNAL FEEDBACK INPUT CONNECTION

SIZE 1



* EXTERNAL FEEDBACK INPUT CONNECTION

SIZE 3

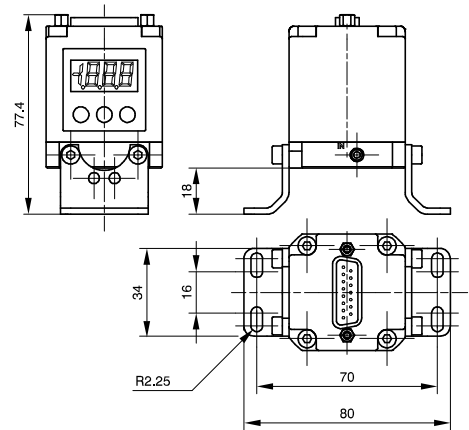


* EXTERNAL FEEDBACK INPUT CONNECTION

Mounting options

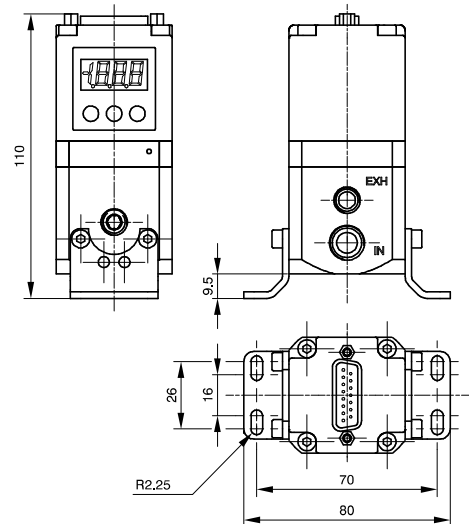
In addition to the possibility of fastening it directly to the wall using the M4 apertures present on the body, there is also the option of using the fastening bracket code 170M5 as can be seen in the figures shown below.

SIZE 0



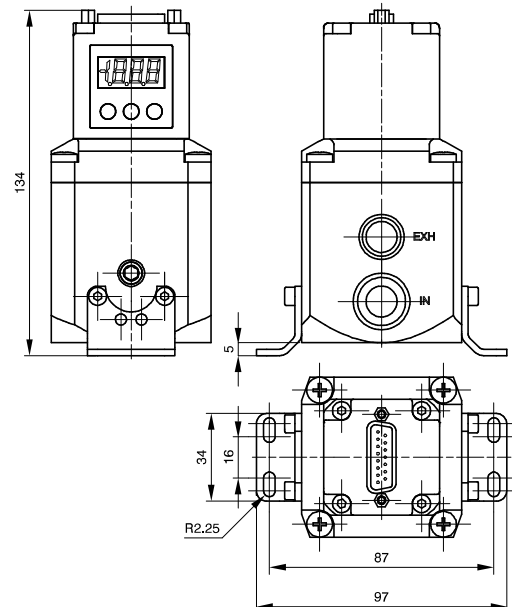
* EXTERNAL FEEDBACK INPUT CONNECTION

SIZE 1



* EXTERNAL FEEDBACK INPUT CONNECTION

SIZE 3



* EXTERNAL FEEDBACK INPUT CONNECTION

Installation/ Operation



PNEUMATIC CONNECTION

The compressed air is connected by means of M5 threaded holes (for size 0 regulators), G 1/4" threaded holes (for size 1 regulators) and G 1/2" threaded holes (for size 3 regulators) on the body.

Before making the connections, eliminate any impurities in the connecting pipes to prevent chippings or dust entering the unit. Do not supply the circuit with more than 10 bar pressure and make sure that the compressed air is dried (excessive condensate could cause the appliance to malfunction) and filtered at 5 micron. The minimum supply pressure required depends on the characteristics of the vacuum generator.

If a silencer is applied to the discharge path the unit response time may change; periodically check that the silencer is not blocked and replace it if necessary.



ELECTRICAL CONNECTION

For the electrical connection a SUB-D 15-pole female is used.

Wire in accordance with the wiring diagram shown below.

Warning: INCORRECT CONNECTIONS MAY DAMAGE THE DEVICE



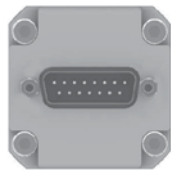
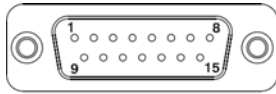
NOTES ON OPERATION

If the electric supply is interrupted, the outlet pressure is maintained at the set value. However, maintaining the exact value cannot be ensured as it is impossible to operate the solenoid valves.

In order to discharge the circuit downstream, zero the reference, make sure that the display shows a pressure value equal to zero and then disconnect the electric power supply.

A version of the device is available that exhausts the downstream circuit when the power supply is removed. (Option "A" at the end of the ordering code). If the compressed-air supply is suspended and the electric power supply is maintained a whirring will be heard that is due to the solenoid valves; an operating parameter can be activated (P18) that triggers the regulator protection whenever the requested pressure is not reached within 4 seconds of the reference signal being sent. In this case the system will intervene to interrupt the control of the solenoid valves. Every twenty seconds, the unit will start the reset procedure until standard operating conditions have been restored.

TOP VIEW OF THE REGULATOR CONNECTOR



CONNECTOR PIN:

1	DIGITAL INPUT 1
2	DIGITAL INPUT 2
3	DIGITAL INPUT 3
4	DIGITAL INPUT 4
5	DIGITAL INPUT 5
6	DIGITAL INPUT 6
7	DIGITAL INPUT 7
8	ANALOG INPUT / DIGITAL INPUT 8
9	SUPPLY (24 VDC)
10	DIGITAL OUTPUT (24 VDC PNP)
11	ANALOG OUTPUT (CURRENT)
12	ANALOG OUTPUT (VOLTAGE)
13	Rx RS-232
14	Tx RS-232
15	GND

Ordering codes



19 E2P. D.0090.

SIZE

- 0 = Size 0
- 1 = Size 1
- 3 = Size 3

VARIANT

- E = External pressure feedback without exhaust downstream pressure when power supply is removed
- AE = External pressure feedback with exhaust downstream pressure when power supply is removed


MANAGEMENT

- C = Current signal (4-20 mA / 0-20 mA)
- T = Voltage signal (0-10 V / 0-5 V / 1-5 V)

Fixing bracket 170M5



Model with SUB-D 15 poles connector

	5300.F15.00.00	Straight connector + Casing IP65 *
	5300.F15.00.03	Straight connector + Cable 3 meters
	5300.F15.00.05	Straight connector + Cable 5 meters
	5300.F15.90.00	Connector 90° + Casing IP65 *
	5300.F15.90.03	Connector 90° + Cable 3 meters
	5300.F15.90.05	Connector 90° + Cable 5 meters

* Without cable

PRESSURE RANGE

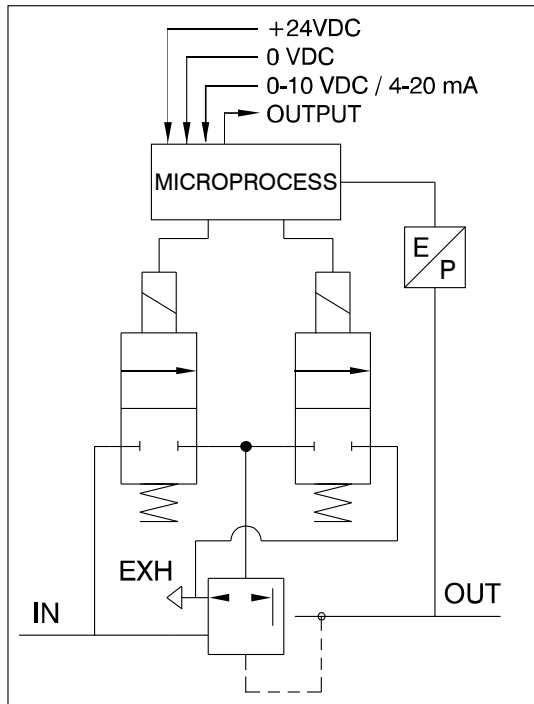
0090 = from 0 to 90%

Series 1900 vacuum-vacuum version

Product description

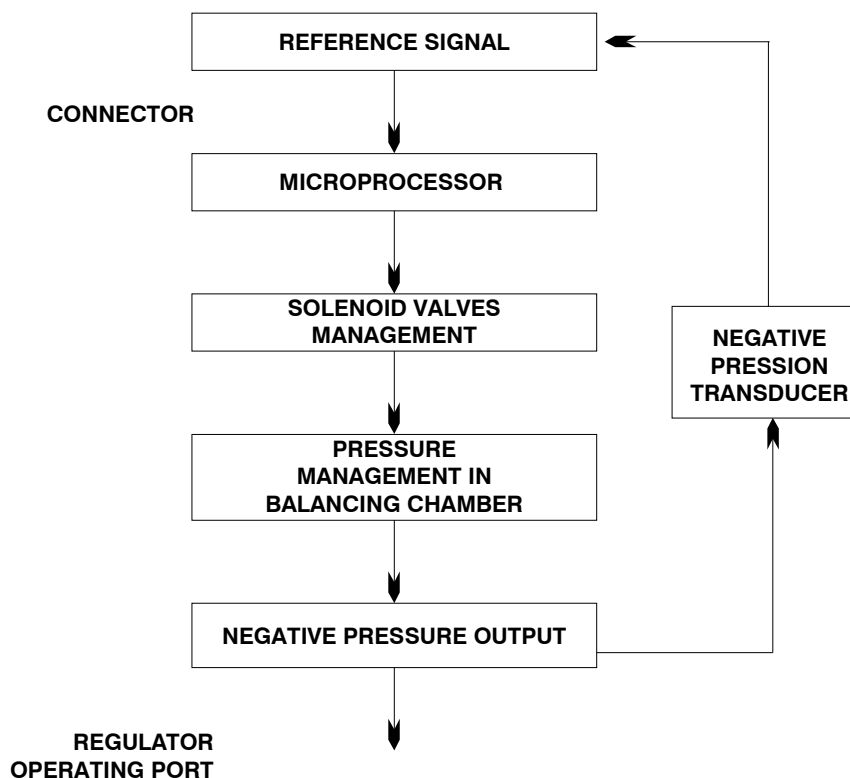
The connections of the regulator require the aperture for supply and discharge to be on one side and the aperture for use on the opposite side. On the other two remaining sides there are apertures of G1/8" that are plugged with removable plugs, however it is possible to connect a vacuum gauge or vacuum sampling for an additional remote vacuum switch. The control solenoid valves, the negative pressure sensor and the management electronics are located in the upper part of the regulator. The regulator is available in only one size, 1, with flow rate 170 l/min and the possibility to select commands: Voltage (T) Current (C).

Functional diagram



CLOSED LOOP diagram (internal control circuit)

The proportional regulator is known as a CLOSED LOOP regulator because a pressure transducer in the circuit transmits a continuous analog signal to the microprocessor, which compares the reference value with the detected value and supplies the control solenoid valves accordingly.





CHARACTERISTICS

Pneumatic	
Fluid	5 micron filtered, without oil and dehumidified air
Input minimum pressure	-10 kPa
Input max pressure	-101 kPa
Adjustment range	-10 ... -90 kPa
Flow rate	170 l/min
Air consumption	< 1 Nl/min
Supply connection	G 1/4
Service connection	G 1/4
Discharge connection	G 1/8
Maximum tightening torque for connections	15 Nm

Electric		
Supply voltage	24 VDC \pm 10% (stabilized with ripple < 1%)	
Current consumption in standby	70 mA	
Current consumption with actuated S.V.	400 mA	
**Reference Signal	Voltage	*0 ... 10 V *0 ... 5 V *1 ... 5 V
	Current	*4 ... 20 mA *0 ... 20 mA
**Input impedance	Voltage	10 k Ω
	Current	250 Ω
**Digital inputs	24 VDC \pm 10%	
**Digital output	24 VDC PNP (max current 50 mA)	

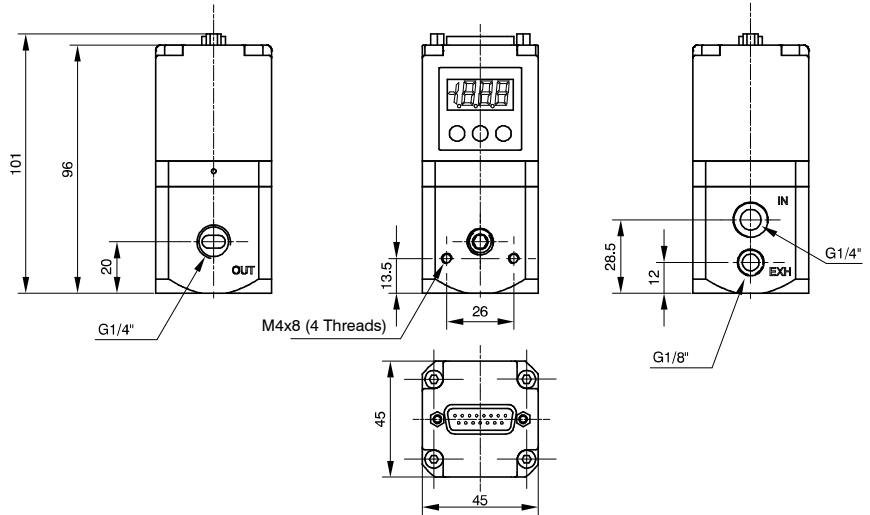
Functional	
Linearity	-3 kPa
Hysteresis	-3 kPa
Repeatability	-3 kPa
Sensitivity	-1 kPa
Assembly position	Indifferent
IP Rating	IP65 (with casing fitted)
Ambient temperature	-5°C ... 50°C / 23°F ... 122°F

Constructional	
Body	Anodised aluminum
Shutters	Brass with vulcanised NBR
Diaphragm	Cloth-covered rubber
Seals	NBR
Cover for electrical part	Technopolymer
Springs	AISI 302
Weight	Size 1
	360 g

* Selectable by keyboard or by RS-232

** Valid only for devices with analog input

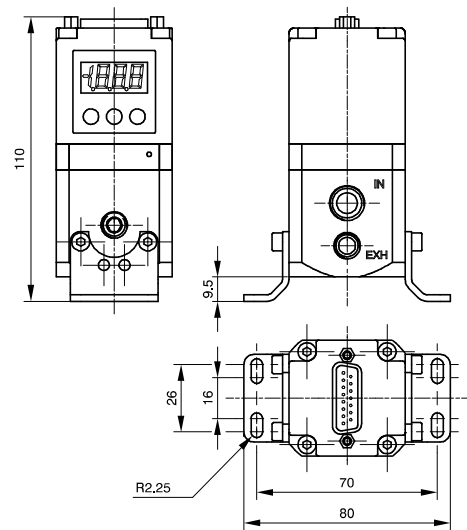
► SIZE 1



Mounting options

In addition to the possibility of fastening it directly to the wall using the M4 apertures present on the body, there is also the option of using the fastening bracket code 170M5 as can be seen in the figures shown below.

► SIZE 1



Installation/ Operation



PNEUMATIC CONNECTION

G 1/4 threaded holes provide for the pneumatic connection in the body of the vacuum generator.
Before connecting the pipes, remove any debris, in order to prevent chippings or dust from entering the unit.
It is recommended to properly check that the suction air is filtered to 5 microns.
The negative minimum supply pressure required depends on the features of the vacuum generator.
If a silencer is connected to the discharge port, the response time of the unit may vary; it is recommended to periodically check that the silencer is not clogged or to replace it, if necessary.



ELECTRICAL CONNECTION

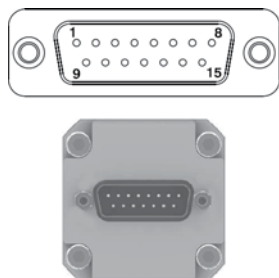
For the electrical connection a SUB-D 15-pole female is used.
Wire in accordance with the wiring diagram shown below.
Warning: INCORRECT CONNECTIONS MAY DAMAGE THE DEVICE



NOTES ON OPERATION

If the electricity supply is cut off, the output pressure will be kept at the set value. However, maintenance of this exact value is not guaranteed given the fact that the solenoid valve cannot be actuated.
To discharge the circuit downstream, clear the reference, make sure the display shows a pressure value equal to zero (-0.10 kPa Max), and then cut off the electrical power supply.
If the air supply is stopped and the power supply is maintained, you may hear a humming noise being generated due to the solenoids; it is possible to activate an operating parameter (P18) that allows the regulator to be protected any time the pressure is not reached within 4 seconds after the moment the reference signal is sent. In this case, the system will intervene by interrupting control of the solenoid valves. Every 20 seconds the unit will start the restoration procedure until standard operating conditions are reintegrated.

TOP VIEW OF THE REGULATOR CONNECTOR



CONNECTOR PIN:	
1	DIGITAL INPUT 1
2	DIGITAL INPUT 2
3	DIGITAL INPUT 3
4	DIGITAL INPUT 4
5	DIGITAL INPUT 5
6	DIGITAL INPUT 6
7	DIGITAL INPUT 7
8	ANALOG INPUT / DIGITAL INPUT 8
9	SUPPLY (24 VDC)
10	DIGITAL OUTPUT (24 VDC PNP)
11	ANALOG OUTPUT (CURRENT)
12	ANALOG OUTPUT (VOLTAGE)
13	Rx RS-232
14	Tx RS-232
15	GND

REGULATORS

Ordering codes



191E2N. .D.0000.V

MANAGEMENT

- C = Current signal (4-20 mA / 0-20 mA)
- T = Voltage signal (0-10 V / 0-5 V / 1-5 V)

PRESSURE RANGE

0000 = from 10 to 90 -kPa

**Fixing bracket
170M5**



Model with SUB-D 15 poles connector

	5300.F15.00.00	Straight connector + Casing IP65 *
	5300.F15.00.03	Straight connector + Cable 3 meters
	5300.F15.00.05	Straight connector + Cable 5 meters
	5300.F15.90.00	Connector 90° + Casing IP65 *
	5300.F15.90.03	Connector 90° + Cable 3 meters
	5300.F15.90.05	Connector 90° + Cable 5 meters

* Without cable



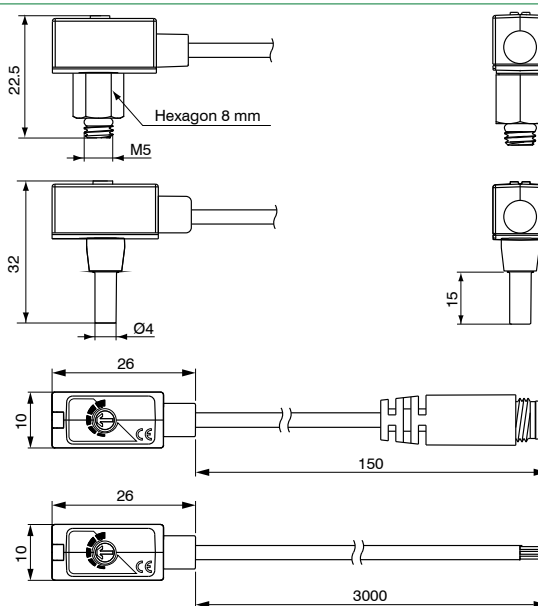
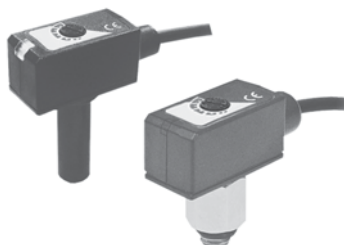
ACCESSORIES AND INSTRUMENTS

Vacuum switch, vacuum gauge, silencers and filters



Series DS

Mini digital vacuum switch

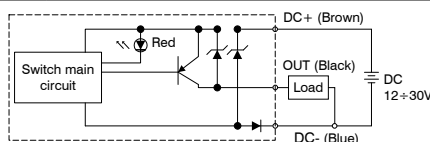


Ordering code	
DS.10.V.B.ⓐ.Ⓛ.Ⓞ	
CONNECTION	
ⓐ	F4= Male M5
	R4= Plug-in connection Ø4
CABLE LENGTH	
Ⓛ	A=150 mm *
	E=3000 mm **
OPTIONS	
	0= Without connector
Ⓞ	1= With connector M8 male 3 Pin

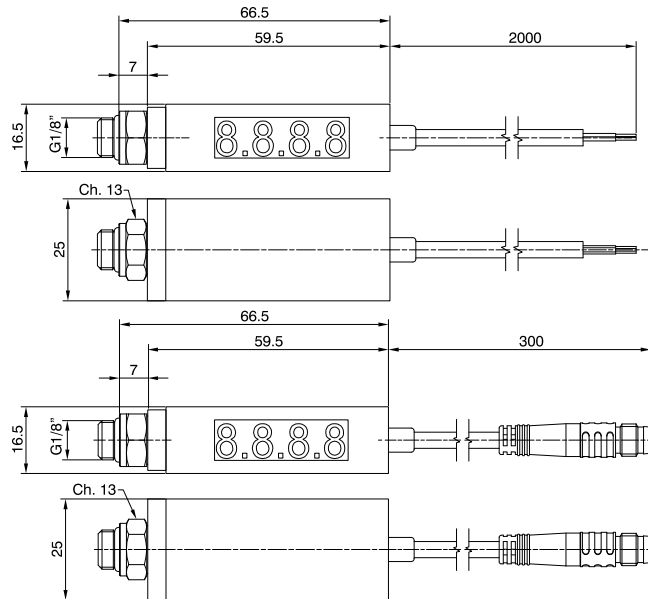
* only with M8 connector
** only without connector

Technical features		
Working pressure range	0 ... -100.0kPa	
Regulation pressure range	0 ... -100.0kPa	
Maximum supported pressure	600 kPa	
Allowed fluids	Air, non-corrosive gases, non-combustible gases	
Supply voltage	From 12 to 30 VDC ±10%	
Current consumption	≤ 10 mA	
Digital output	PNP N.O. 1 outputs Maximum load current: 80 mA Maximum supply voltage: 30 VDC Voltage drop: ≤0.8V	
Repeatability (Digital output)	± 1% Full Scale	
Digital output	Fixed	
Type of hysteresis	3% Full Scale max.	
Hysteresis		
Response time	1ms	
Protection from short circuit at output	Present	
Method of setting threshold	Adjustable, trimmer	
Indicator	LED red (output)	
Ingress protection rating	IP Rating	IP40
	Ambient temperature	Operational: 0°C ... 60°C, Storage: -20°C ... 70°C (without ice or condensation)
	Ambient humidity	Operational/Storage: 35 ... 85% (without condensation)
	Vibration	Total amplitude 1.5 mm, 10 Hz - 55 Hz - 10 Hz scanning for 1 minute, 2 hours in each direction of X, Y and Z
Impacts/shocks	980m/s ² (100G), 3 times in each direction of X, Y and Z	
Temperature characteristics	±2% Full Scale in a range between 0°C ... 50°C	
Type of connection	Male M5x0.8, Plug-in connection Ø4	
Electrical cable	Oilproof cable, 3 wires (0.18mm ²), Ø2.6 mm	
Weight	Approximately 50 g (with 3 metres of cable)	

Output circuit wiring scheme



► Digital vacuum switch



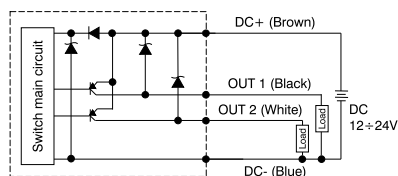
Ordering code	
DS.30.C.C.F8.L.Ⓛ	
CABLE LENGTH	
Ⓛ	B=300 mm *
	D=2000 mm **
OPTIONS	
Ⓛ	0= Without connector
	2= With M8 4 Pin male connector

* only with M8 connector
** only without connector

Technical features

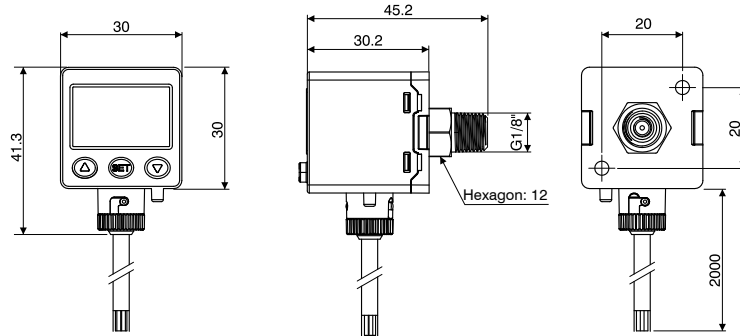
Working pressure range		-100.0 ... 100.0 kPa
Regulation pressure range		-100.0 ... 100.0 kPa
Maximum supported pressure		300 kPa
Allowed fluids		Air, non-corrosive gases, non-combustible gases
Pressure calibration sensitivity	kPa	0.1
	2 kgf/cm ²	0.001
	bar	0.001
	psi	0.01
	InHg	0.1
	mmHg	1
	mmH ₂ O	0.1
Supply voltage		From 12 to 24 VDC ± 10%
Current consumption		≤ 60mA
Digital output		PNP N.O. 2 outputs Maximum load current: 80 mA Maximum supply voltage: 30 VDC Voltage drop: ≤1V
Repeatability (Digital output)		± 0.2% Full Scale ± 1 digit
Digital output	Type of hysteresis	Fixed
	Hysteresis	0.003 bar
Response time		≤2,5 ms (anti-interference function: 24 ms, 192 ms and 768 ms selectable)
Protection from short circuit at output		Present
Display		Display with 3 1/2 digits (sampling 5 times per sec.)
Indicator precision		±2% F. S. ±1 digit (at ambient temperature of 25°C ±3°C)
Indicator		LED green (output1) LED red (output2)
Ingress protection rating	IP Rating	IP40
	Ambient temperature	Operational: 0 ... 50°C, Storage: -20°C ... 60°C (without ice or condensation)
	Ambient humidity	Operational/Storage: 35 ... 85% (without condensation)
	Supported voltage	1000 VAC in 1-min. (between body and cable)
	Insulation resistance	50MΩ min. (at 500VDC, between body and cable)
	Vibration	Total amplitude 1.5 mm. or 10 G, 10 Hz - 55Hz - 10 Hz scanning for 1 minute, 2 hours in each direction of X, Y and Z
	Impacts/shocks	980 m/s ² (100G), 3 times in each direction of X, Y and Z
Temperature characteristics		±2% Full Scale in a range between 0°C ... 50°C
Type of connection		G1/8 (Swivel)
Electrical cable		Oil resistant cable
Weight		Approximately 67 g (with 2 metres of cable)

Output circuit wiring scheme





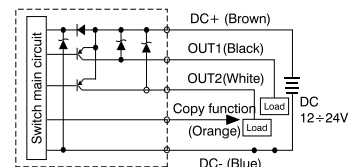
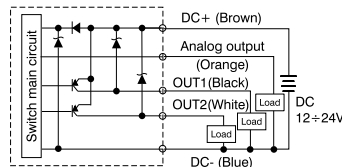
Panel-mounted digital vacuum switch



Ordering code	
DS.45.V.U.F3.D.0	
VERSION	
V	C= Vacuum/Pressure (-100 / 100 kPa)
V	V= Vacuum (0 / -101,3 kPa)
OUTPUTS	
U	E= 2 PNP outputs + Analog output (4 / 20 mA)
U	L= 2 PNP outputs + copy function

Technical features		DS.45.C.U.F3.D.0 (Composite)	DS.45.V.U.F3.D.0 (Vacuum)
Working pressure range		-100.0 ... 100.0 kPa	0 ... -100.0 kPa
Regulation pressure range		-100.0 ... 100.0 kPa	0 ... -100.0 kPa
Maximum supported pressure		300 kPa	
Allowed fluids		Air, non-corrosive gases, non-combustible gases	
Pressure calibration sensitivity	kPa	0.1	
	2 kgf/cm ²	0.001	
	bar	0.001	
	psi	0.01	
	InHg	0.1	
Supply voltage		From 12 to 24 VDC	
Current consumption		≤40 mA (without load)	
Digital output		PNP N.O. 2 outputs Maximum load current: 125 mA Maximum supply voltage: 24 VDC Voltage drop: ≤1.5V	
Repeatability (Digital output)		± 0.2% Full Scale ± 1 digit	
Digital output	Type of hysteresis	Settable	
	Hysteresis	from 0.001 to 0.008 bar	
Response time		≤2,5 ms (anti-interference function: 25 ms, 100 ms, 250 ms, 500 ms, 1000 ms and 1500 ms selectable)	
Protection from short circuit at output		Present	
Display		Display with 3 1/2 digits (red/green)	
Indicator precision		±2% F. S. ± 1 digit	
Indicator		LED orange (output1) LED orange (output2)	
Analog output		Output current: 4 ... 20 mA ±2.5% F. S. Linearity: ±1% F. S. Maximum load resistance: 250Ω supply at 12 V and 600Ω supply at 24 V Minimum load resistance: 50Ω	
Ingress protection rating	IP Rating	IP65	
	Ambient temperature	Operational: 0°C ... 50°C, Storage: -10°C ... 60°C (without ice or condensation)	
	Ambient humidity	Operation/Storage: 35 ... 85% (without condensation)	
	Supported voltage	1000 VAC in 1min. (between body and cable)	
	Insulation resistance	50MΩ (at 500 VDC, between body and cable)	
	Vibration	Total amplitude 1.5 mm or 10 G, 10 Hz - 55 Hz - 10 Hz scanning for 1 minute, 2 hours in each direction of X, Y and Z	
Temperature characteristics		±2.5% Full Scale in a range between 0°C ... 50°C	
Type of connection		G1/8 (BSPP), M5 female	
Electrical cable		Oil resistant cable (internal 0.15 mm ²)	
Weight		Approximately 86 g (with 2 metres of cable)	

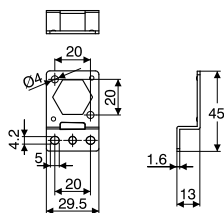
Output circuit wiring scheme



Fastening bracket



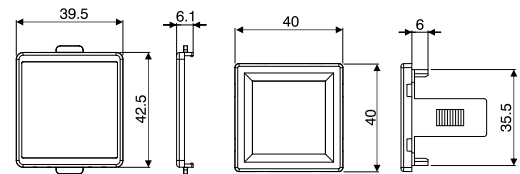
Ordering code
DS.BT10



Panel mount adapter



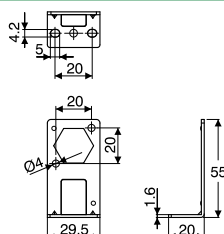
Ordering code
DS.PAE



Fastening bracket



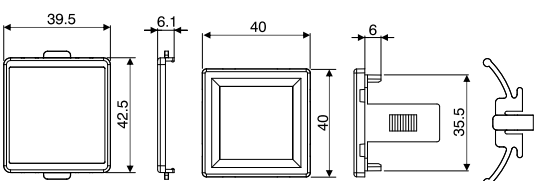
Ordering code
DS.BT11



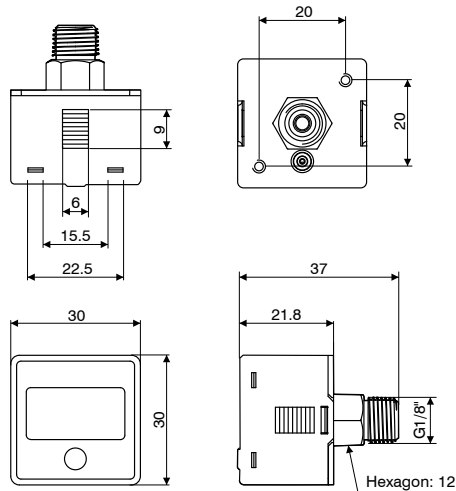
Panel mount adapter with screen protection



Ordering code
DS.PAF



Digital battery vacuum gauge



Ordering code
DS.60.V.I.F1.F.0

Caratteristiche tecniche		
Working pressure range	0 ... -100.0 kPa	
Regulation pressure range	0 ... -100.0 kPa	
Maximum supported pressure	300 kPa	
Allowed fluids	Air, non-corrosive gases, non-combustible gases	
Pressure calibration sensitivity	kPa	0.1
	bar	0.01
	psi	0.1
	mmHg	1
Battery	CR 2032 lithium	
Backlight	Not present	
Battery life	3 years (5 powerups a day)	
Indication of battery level	Present	
Battery replaceable	Yes	
Display powerup time	Goes off after 60 seconds	
Sampling frequency	2 Hz (2 times per second)	
Repeatability	±1% F. S. ±1 digit	
Display	Display with 3 1/2 digits	
Indicator precision	±2% F.S. ±1 digit (at ambient temperature of 25°C ±3°C)	
Ingress protection rating	IP Rating	IP65 (only with connected air tube)
	Ambient temperature	Operational: 0°C ... 50°C, Storage: -10°C ... 60°C (without ice or condensation)
	Ambient humidity	Operational/Storage 35 ... 85% (without condensation)
	Vibration	Total amplitude 1.5 mm or 10 G, 10 Hz - 55 Hz - 10 Hz scanning for 1 minute, 2 hours in each direction of X, Y and Z
	Impacts/shocks	100 m/s ² (10G), 3 times in each direction of X, Y and Z
Temperature characteristics	±2% Full Scale in a range between 0°C ... 50°C	
Type of connection	R1/8, M5 female	
Weight	Approximately 40 g	

ACCESSORIES

Fastening bracket

Ordering code
DS.BT5

Panel mount adapter

Ordering code
DS.PAC

Fastening bracket

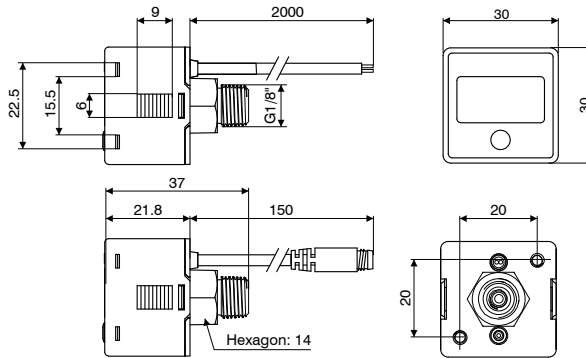
Ordering code
DS.BT6

Panel mount adapter with screen protection

Ordering code
DS.PAD



Digital vacuum gauge

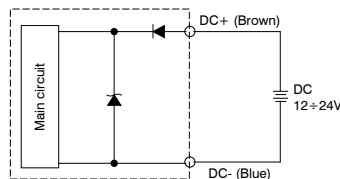


Ordering code	
DS.61.V.I.F1.L.0	
CABLE LENGTH	
①	A=150 mm *
	D=2000 mm **
OPTIONS	
②	0= Without connector
	2= With M8 4 Pin male connector

* only with M8 connector
** only without connector

Technical features		
Working pressure range	0 ... -100.0 kPa	
Regulation pressure range	0 ... -100.0 kPa	
Maximum supported pressure	300 kPa	
Allowed fluids	Air, non-corrosive gases, non-combustible gases	
Pressure calibration sensitivity	kPa	1
	2 kgf/cm ²	0.01
	bar	0.01
	psi	0.1
Supply voltage	From 12 to 24 VDC ± 10%	
Current consumption	10 mA	
Repeatability	± 1% Full Scale ± 1 digit	
Display	Display with 3 1/2 digits (sampling 5 times per sec.)	
Indicator precision	± 2% F. S. ± 1 digit (at ambient temperature of 25°C ± 3°C)	
Ingress protection rating	IP Rating	IP65 (only with connected air tube)
	Ambient temperature	Operational: 0°C ... 50°C, Storage: -10°C ... 60°C (without ice or condensation)
	Ambient humidity	Operation/Storage: 35 ... 85% (without condensation)
	Supported voltage	1000 VAC in 1 min. (between body and cable)
	Insulation resistance	50MΩ (at 500 VDC, between body and cable)
	Vibration	Total amplitude 1.5 mm or 10G, 10 Hz - 55 Hz - 10 Hz scanning for 1 minute, 2 hours in each direction of X, Y and Z
	Impacts/shocks	100 m/s ² (10G), 3 times in each direction of X, Y and Z
Temperature characteristics	± 2% Full Scale in a range between 0°C ... 50°C	
Type of connection	R1/8, M5 female	
Electrical cable	Oil resistant cable (internal 0.15 mm ²)	
Weight	Approximately 60 g (with 2 metres of cable) and approximately 40 g (with M8 4 pin male connector)	

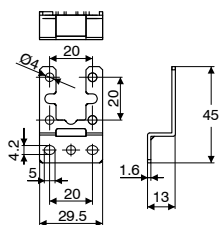
Output circuit wiring scheme



Fastening bracket



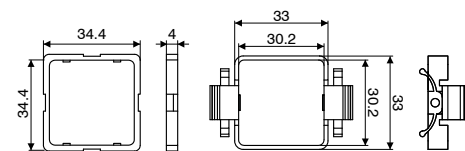
Ordering code
DS.BT5



Panel mount adapter



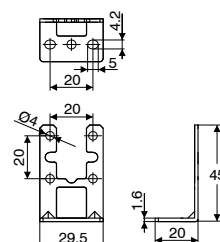
Ordering code
DS.PAC



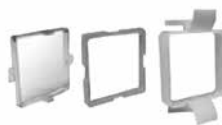
Fastening bracket



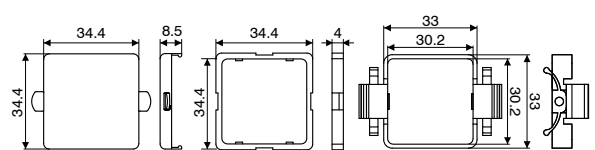
Ordering code
DS.BT6



Panel mount adapter with screen protection

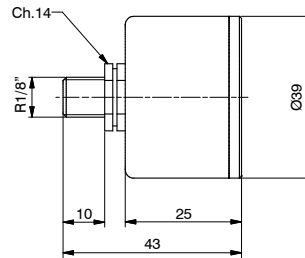
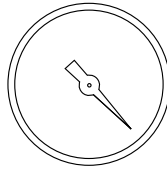


Ordering code
DS.PAD



Series 1900

Vacuum Gauge



Ordering code

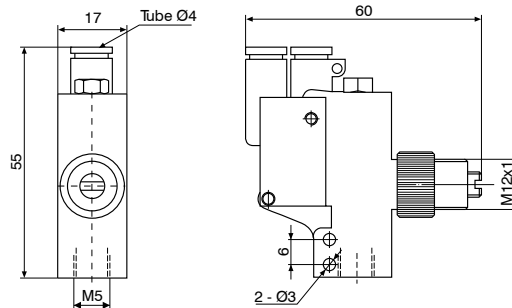
17070A.V



Technical features

Fluid	Unlubricated filtered air
Scale (-kPa)	0 ... 100
Temperature (°C)	-10 ... 80
Weight (g)	56

Pneumatic vacuum switch

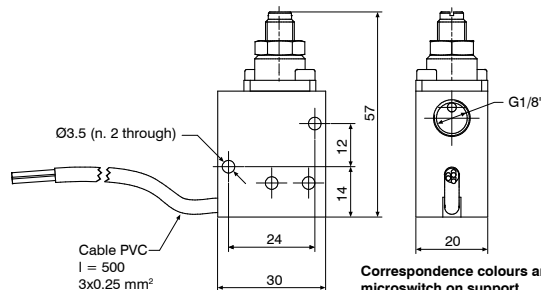


Vacuum switch whose function is, depending on the model, to turn a pneumatic signal on or off when a certain vacuum level is reached. The pressure differential that exists between the maximum value set and the restoration value cannot be adjusted. Especially recommended for the control of vacuum generators with a view to save energy.

Code	19TR4.C	19TR4.A
Type of contact	N.C. (Normally closed)	N.O. (Normally open)
Pressure (bar)	1.5 ~ 8	
Actuation threshold can be set (-kPa)	15 ~ 95	10 ~ 95
Hysteresis (kPa)	12	3
Temperature (°C)	-10 ~ +60°C	
Weight (g)	44	
Connections for vacuum	M5	

Function	Settable
N.C. (Normally closed)	
N.O. (Normally open)	

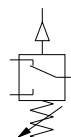
Electromechanical vacuum switch



Correspondence colours and mounted microswitch on support
 Black = Common
 Blue = N.C.
 Grey = N.O.

Ordering code

19VCE.0.C1

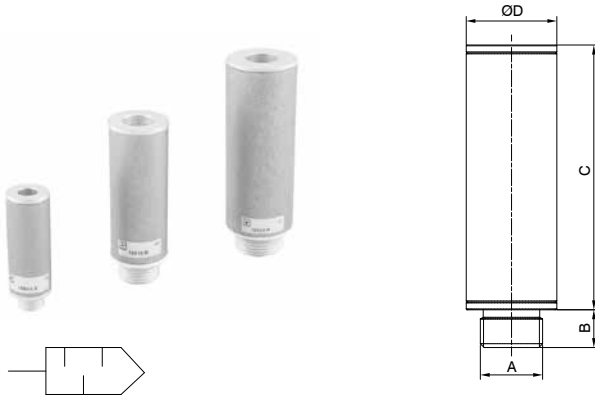


Vacuum switch whose function is to turn an electrical signal on or off when a certain vacuum level is reached. The pressure differential that exists between the maximum value set and the restoration value cannot be adjusted. Recommended for all cases where it is necessary to obtain an electrical signal once a certain level of vacuum is reached to start a work cycle, for control of the already attained grip by the suction cups or for reasons of safety, etc.

Technical features

Fluid	Vacuum
Flow rate	2A - 250 VAC
Regulation (-kPa)	20 ... 90
Temperature (°C)	-5 ... 70
IP Rating	IP67
Weight (g)	62,5

High efficiency silencers



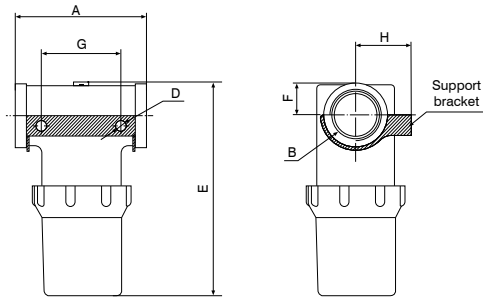
Code	Description	A	B	C	ØD	Weight (g)
19S18.S	Silencer G1/8	G1/8	6	30	16	10
19S14.S	Silencer G1/4	G1/4	8	50	20	21
19S38.S	Silencer G3/8	G3/8	10	70	24	35
19S12.R	Silencer G1/2 reduced	G1/2	12	70	29	46
19S12.S	Silencer G1/2	G1/2	12	90	35	83
19S34.R	Silencer G3/4 reduced	G3/4	12	90	35	86
19S34.S	Silencer G3/4	G3/4	12	110	50	144
19S10.R	Silencer G1 reduced	G1	14	110	50	144

The use of sound-absorbing material enclosed in appropriate aluminium containers made it possible to create this range of silencers which significantly lower air noise in the vacuum generator discharge stage.

Noise reduction: from -13 to -20 dBA

Working temperature: from -20 to +100 °C

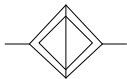
Vertical filters



Code	Description	Flow rate (l/min)	Volume (cm ³)	A	B	D	E	F	G	Weight (g)
19F38.V.00	Filter G3/8"	150	45	76	2-G3/8	2 - Ø6.5	71.3	14	45	70
19F12.V.00	Filter G1/2"	900	195	91	2-G1/2	2 - Ø8.5	131.5	16	50	168
19F34.V.00	Filter G3/4"	900	205	91	2-G3/4	2 - Ø8.5	139	18.5	50	170
19F10.V.00	Filter G1"	2520	495	126	2-G1	2 - Ø10.5	167	23	80	424

Filter elements

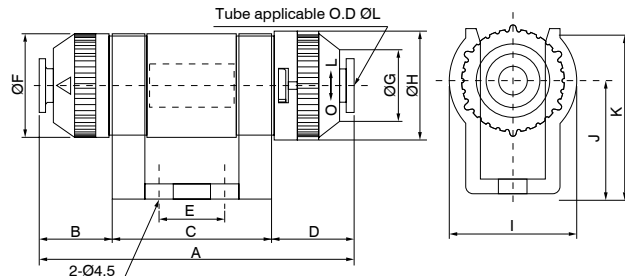
Code	Description
RK1900/0022	Filter element for 19F38.V.00
RK1900/0023	Filter element for 19F12.V.00 and 19F34.V.00
RK1900/0024	Filter element for 19F10.V.00



Preventing contaminants from reaching the vacuum generator is critical for maintaining its proper operation. Filters of this series have this function, manufactured in a simple way, have threaded connections for installation and a bowl that can be easily taken off to allow fast cleaning of the internal filter cartridge.

The various models of filter cover a flow rate range running from 150 to 2520 l/m, degree of filtration: 10 micron, working temperature: -20 / 80 °C, working pressure: -100 / 0 kPa.

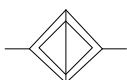
Line filters



Code	Description	A	B	C	D	E	ØF	ØG	ØH	I	J	K	ØL	Weight (g)
19F04.L.01	Tube Ø4 - 20 l/min	53,2	9,1	30	14,1	10	18	11,6	19,5	23	20	29	4	14
19F06.L.01	Tube Ø6 - 20 l/min	53,2	9,1	30	14,1	10	18	11,6	19,5	23	20	29	6	13
19F06.L.02	Tube Ø6 - 50 l/min	67	15,5	34	17,5	14	22	15,6	23,1	27	24	35	6	26
19F08.L.02	Tube Ø8 - 50 l/min	67	15,5	34	17,5	14	22	15,6	23,1	27	24	35	8	24

Filter elements

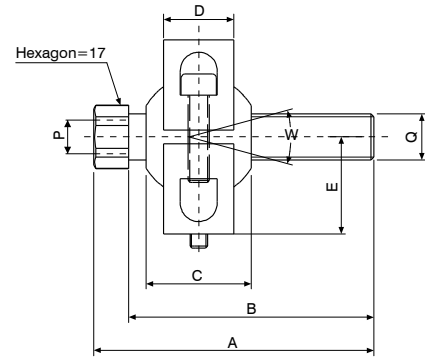
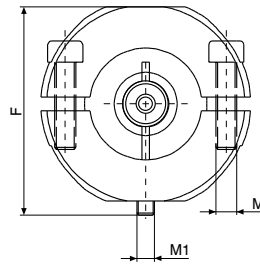
Code	Description
RK1900/0020	Filter element for 19F04.L.01 and 19F06.L.01
RK1900/0021	Filter element for 19F06.L.02 and 19F08.L.02



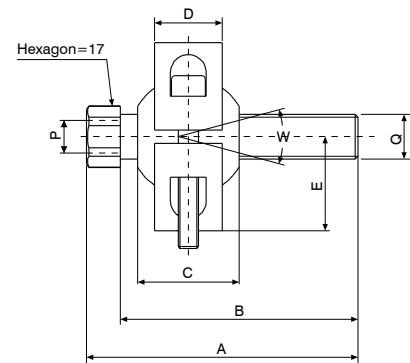
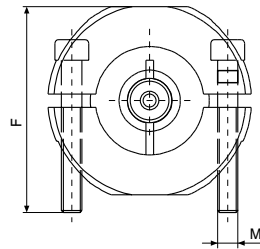
Line filters can handle very fine powders and contaminants without interfering with the intake flow rate. Thanks to the small dimensions they can be installed directly on the suction cups or on the vacuum pipework, and since they have automatic connections, wiring operations are facilitated.

Degree of filtration: 10 micron, working temperature: 0-60 °C, working pressure: -100 / 0 kPa.

► Suction Cup Support



Code	A	B	C	D	E	F	P	Q	M	M1	W	Weight (g)
19SP1.T	80	70	30	20	27.5	59.5	G1/4	G1/4	M6	M5	30°	174



Code	A	B	C	D	E	F	P	Q	M	W	Weight (g)
19SP2.T	80	70	30	20	27.5	61	G1/4	G1/4	M6	30°	180

Support for suction cup with adjustability and fastening via a ball bearing that allows it to be kept in the desired position.



CONTACTS

HEADQUARTERS

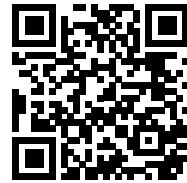


PNEUMAX S.P.A.

Via Cascina Barbellina, 10
24050 Lurano (BG) - Italia
Tel. 035/4192777
Fax 035/4192740 - 035/4192741
info@pneumaxspa.com
www.pneumaxspa.com

WORLDWIDE NETWORK

Scan the QR code and discover our sales network





PNEUMAX

PNEUMAX S.p.A.

Via Cascina Barbellina, 10

24050 Lurano (BG) - Italy

P. +39 035 41 92 777

vacuum@pneumaxspa.com

www.pneumaxspa.com