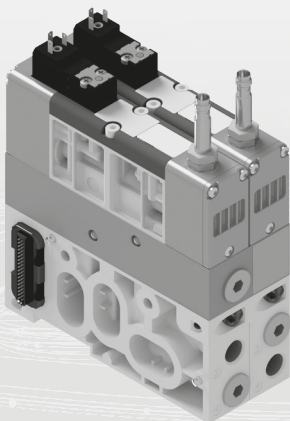




PNEUMAX



**SERIES 2700 EVO
MONITORED REDUNDANT 5/2 SOLENOID
SPRING SOLENOID VALVE**

**SERIE 2700 EVO
ELETTRORVALVOLA 5/2 SOLENOIDE
MOLLA RIDONDATA MONITORATA**

**Installation, use and maintenance instructions
*Istruzioni di installazione, uso e manutenzione***





ENGLISH

INDEX

GENERAL WARNINGS	2
INTRODUCTION.....	3
DIRECTIVES AND STANDARDS REFERENCES	4
DESCRIPTION	5
TECHNICAL CHARACTERISTICS	5
ORDERING CODE.....	9
ELEMENTS INCLUDED IN THE DELIVERY.....	10
CONDITIONS OF USE	10
MOUNTING AND INSTALLATION	11
START-UP	14
CARE AND MAINTENANCE.....	16
DISPOSAL	16
DECLARATION OF CONFORMITY	33

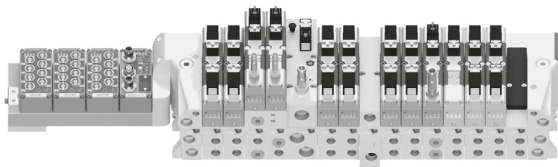


GENERAL WARNINGS

- Each device must be activated only by trained and qualified operators after a careful reading and comprehension of this instruction manual.
- We inform you that the manufacturer declines all responsibility for the consequences that may arise from failure to comply with the instructions given in this manual.
- Every form of tampering or intervention unauthorised by the manufacturer is strictly forbidden.
- Every form of tampering or unauthorised intervention may void the warranty and the conformity of the device to the essential requirements of the pertinent directive.



INTRODUCTION



Series 2700 EVO is a series of devices designed and manufactured by Pneumax S.p.A. in conformity with applicable directives and standards. In particular, solenoid valves were designed according to the requirements of standard ISO 15407-2 which imposes the dimensions of pneumatic mounting plane, the position and pin configuration of the electrical contacts.

The Series 2700 EVO solenoid valves are available in size 26mm with nominal flow rate up to 1000 NI/min.

Each solenoid valve is mounted on a modular sub-base with pneumatic and electric mounting plane according to the beforementioned standard and G1/4" threaded pneumatic ports. Each sub-base can be mounted in manifold up to a limited number of valve positions to manage up to 32 electric signals.

A group is closed with left and right end terminals, both featuring G3/8" threaded pneumatic ports for air supply and exhaust and by G1/8" pneumatic ports for pilot channels thus producing a manifold.

Series 2700 EVO solenoid valves manifolds are designed to be able to interface with the PX Series, a multi-serial module system of Pneumax catalog which allow the manifold to be electrically managed by a multipolar system or by a serial system which could interface with different communication protocols. This guarantees a high versatility in the integration with a machine or other applications.

The manifold can connect with a multipole connection and with the following communication protocols: CANopen®, EtherCAT, PROFINET I/RT, EtherNet/IP, PROFIBUS DP and IO-Link. Each implemented protocol allows to take advantage of the maximum potential in terms of expandability and inlet and outlet signals management.

Series 2700 EVO features various devices for specific applications. In particular, devices with characteristics that are suitable to be used in pneumatic circuits for safety purposes were realised. These are considered safety components and they fall within the scope of machinery directive 2006/42/EC.



DIRECTIVES AND STANDARDS REFERENCES

These devices are compliant to the following pertinent directives and standards:

DIRECTIVE

Directive 2006/42/EC	Machinery
----------------------	-----------

DIRECTIVE

Directive 2014/30/EU	Electromagnetic Compatibility
----------------------	-------------------------------

STANDARDS

EN 61000-6-2:2005	Electromagnetic compatibility (EMC) Part 6-2: Generic standards Immunity for industrial environments
EN 61000-6-4:2007	Electromagnetic compatibility (EMC) Part 6-4: Generic standards Emission standard for industrial environments
EN 61000-6-4:2007/A1:2011	Electromagnetic compatibility (EMC) Part 6-4: Generic standards Emission standard for industrial environments

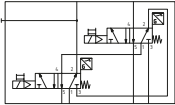
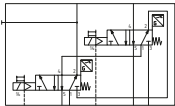
DIRECTIVE

Directive 2011/65/EU	RoHS - Restriction of the use of certain hazardous substances in electrical and electronic equipment
----------------------	--



DESCRIPTION

A monitored Redundant 5/2 Solenoid-Spring Solenoid Valve is a device of Series 2700 EVO designed in compliance with the requirements of standard ISO 15407-2. It is equipped with a redundant double channel diagnostic system which monitors the position of the spool and the state of the valve. Its characteristics allows the device to be integrated in pneumatic circuits for safety purpose. The device allows a pneumatic circuit downstream connected to port 4 to be safely discharged once one or both valves are de-energised.

Pneumatic Symbol according to ISO 1219-1:2012	Description
	Internal Supply Double 5/2 Solenoid Valve with proximity sensor that monitors the state of the valve.
	External Supply Double 5/2 Solenoid Valve with proximity sensor that monitors the state of the valve.

TECHNICAL CHARACTERISTICS

General		
Pneumatic ports according to UNI ISO 228/1	Left / Right End Terminals	Supply 1: G3/8" Exhaust 3-5: G3/8" Pilots 12-14: G1/8"
	Modular Sub-base	Outlets 2-4: G1/4"
	Intermediate Pneumatic Interface	Pressure switch: G1/4"
Fluid	Compressed Air Suggested Purity Class: [5:4:4] according to ISO 8573-1:2010 Inlet air must be at least filtered with 5µm filter	
Function	5/2 NC Monostable	
Working Pressure [bar]	External Supply	Vacuum ÷ 10
	Internal Supply	2 ÷ 10
Pilot Pressure [bar]	2 ÷ 10	
Working Temperature [°C]	-10 ÷ 50	
Installation Type	Indifferent	
Mounting	On Manifold	
Max rumorosity level [dB]	75 (without silencers)	

**General**

Response Time ON ISO 12238 (TRA) [ms] (Valid for 24VDC 2.3W)	25	
Response Time OFF ISO 12238 (TRR) [ms] (Valid for 24VDC 2.3W)	70	
Mass [g]	1786	
Flow Rate [Nl/min]	6 bar $\Delta p = 1$	6 bar free discharge
1 → 2	1000	1700
1 → 4	500	1000
2 → 3	500	900
4 → 5	1000	1700

Electric**SOLENOID PILOT VALVE**

Solenoid Pilot Valve	Serie 300 – Size 15 mm	
Electric Connection	Faston Connector Series 300	
Coil Features	24 V DC 2.3 W 24 V DC 1 W	
Supply Voltage Allowance	-5% ÷ +10%	
Manual Override Integrated	Yes	
IP Rating	IP65 (with connector installed)	

Note: Refer to the general catalog for detailed information regarding the solenoid pilot valve.

PROXIMITY SENSOR

Manufacturer	ifm electronics s.r.l.	
Model	IE5390	IFS285
Type	Single Channel	Single Channel
Thread	M8X1	M12X1
Electrical Design	PNP	PNP
Output Function	NO	NO
Operating Voltage	10 ÷ 30 VDC	10 ÷ 30 VDC
Current Consumption [mA]	< 20	< 20
Protection Class	III	III
Display	Switching Status 4x90° LED yellow	Switching Status 4x90° LED yellow
Materials	Stainless Steel	Brass white bronze coated
Protection	IP65 (connector mounted)	IP65 (connector mounted)

Note: Manufacturer and model of proximity sensors could be changed at the discretion of Pneumax S.p.A.



Safety Features

Compliant to European Standards	EN ISO 13849-1:2015 EN ISO 13849-2:2012	
Performed Safety Function	Interruption of supply and discharge of a pneumatic circuitry connected to port 4	
Sensor Feedback	Valve at REST	ON
	Valve ACTIVATED	OFF
MTTFd Sensor	Single Channel M8	1088 years
	Single Channel M12	932 years
Performance Level (PL)	Up to PL = e	
Category	Up to 4	
B10d	630.000 cycles (referred to a single valve)	
CE marking (see declaration of conformity)	<ul style="list-style-type: none"> • Directive 2006/42/EC • Directive 2014/30/EU • Directive 2011/65/EU 	

Notes:

General Procedures for assessing pneumatic component reliability by testing performed in accordance with ISO 19973-1, Pneumatic fluid power - Assessment of component reliability by testing - Part 1: General Procedures. Reliability and lifetime of pneumatic valves assessed in accordance with ISO 19973-2: Pneumatic fluid power – Assessment of component reliability by testing – Part 2: Directional control valves.

Activities regarding the identification of the safety function, the estimation of the required reliability level (e.g. estimation of the PLr according to EN ISO 13849-1), the design and the production of the related safety circuit, its verification and validation are responsibilities of the operator who uses the device in its final application.

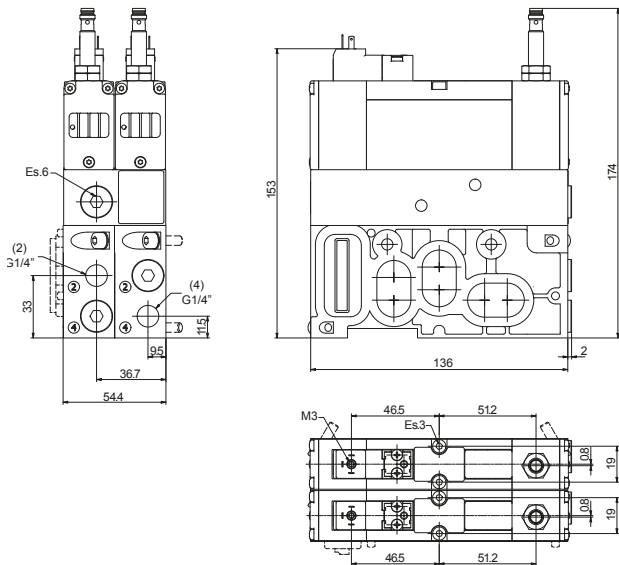
The choice of the category and the satisfaction of its requirements according to EN ISO 13849-1 is in charge of the end-user who integrates the device in its final application while considering the final configuration of the safety circuit.

The diagnostic coverage value guaranteed by the sensor must be calculated by the end-user in function of the final configuration of the safety circuit (e.g. in function of the PLC for safety design which controls the solenoid valve and acquires the state of the sensor). The estimation of the diagnostic coverage must satisfy the requirements of EN ISO 13849-1.

According to EN ISO 13849-1, T10D value must be calculated by the end-user in function of the annual operation number in which the device will be subjected to. In any case, the device must be substituted every 20 years.

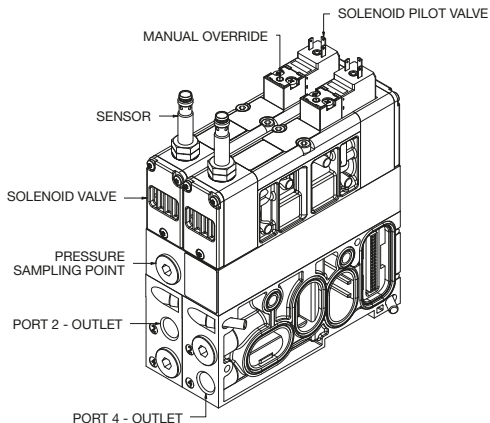
**Constructional**

Body	Die-casted Aluminium
Solenoid Operators	Technopolymer
Solenoid Operator Caps	Technopolymer
Spool	Aluminium
Spool Seals	HNBR
Piston	POM
Spring	Stainless Steel
Cursor	Stainless Steel
Sensor	Threaded Inductive Proximity Sensor Normally Open
Electrical Interface	Series 300 - size 15mm Faston connector
Intermediate Pneumatic Interface	Aluminium
Modular Sub-base	Die-casted Aluminium

Overall Dimensions



Operating Elements



ENGLISH

ORDERING CODE

27V2S

PNEUMATIC SUPPLY ←

A = Internal Supply

E = External Supply

PROXIMITY SENSOR ←

M8 = M8x1 (Single Channel)

M12 = M12x1 (Single Channel)

VOLTAGE ←

02 = 24V DC

08 = 24V DC 1W



ELEMENTS INCLUDED IN THE DELIVERY

Included:

- Monitored Redundant Solenoid Valve (x1)

Excluded:

- Cabled connector for solenoid pilot valve
- Connector for sensor
- Fittings and Silencers

CONDITIONS OF USE

- Use the device by following the usage parameters indicated (pressure, temperature, voltage, etc.).
- Adequately remove any solid particles present in the air supply, so as to protect the device from premature failure and increased wear.
- Ensure an adequate preparation of the compressed air, in terms of filtration and lubrication. If lubrication is used, it must be used continuously.
- The device is not suitable for manual sectioning of the power supply.
- The device is not suitable for use as a manual and lockable device for isolation from energy supply sources.
- The supply of devices that enable the machine to be isolated from each of its energy supply sources is a responsibility of the machine manufacturer.
- Whenever the device is activated or deactivated, protective measures against unexpected and uncontrolled movements of pneumatic drive controlled by the device must be taken care of.
- Gradually apply the air supply to avoid unexpected and uncontrolled movements.
- The device may produce noise during its operation. It is suggested to install silencers on exhaust ports. Ensure there is sufficient space for assembly during the installation process.
- The noise level depends on the final circuit in which the device will be integrated. Verify the correct use of hearing protectors during the operation of the device according to local safety standards in workplace.
- The device must be able to discharge pneumatically in non-dangerous zones connected to the atmosphere.
- The device must be protected from shock and vibration which could compromise its correct operation.
- Installing the device in potentially explosive environment is not allowed.
- Non-metallic parts of the device and objects nearby which could accumulate electrostatic charge must not be subjected to rubbing with other objects in relative motion.
- The device is suitable to be used in industrial zones.
- The device is not suitable to be used in residential zones.
- The device is intended to be installed indoors.
- Install the device as close as possible to the point of use.
- Usage of a PLC for safety is mandatory.



MOUNTING AND INSTALLATION



WARNING

Undertake the installation respecting the safety requirements with regards to the system and components for hydraulic and pneumatic transmissions.

Take note of external factors which could compromise the correct operation of the device.

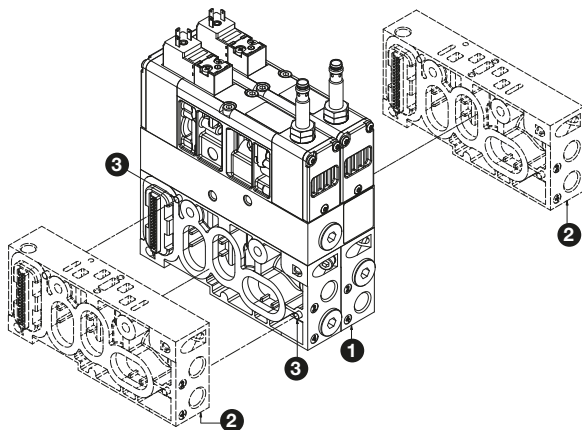
Provide for safety measures to avoid hazards due to nearness to live wires, magnetic fields, metallic objects providing magnetic conduction very close to the device, which may influence and disturb the diagnostic system.

Before undertaking any mounting, installation or maintenance operation, ensure that compressed air and electric supply sources are both turned off and locked to avoid unexpected start-up.

Ensure that exhaust pneumatic ports are not directed to operators.

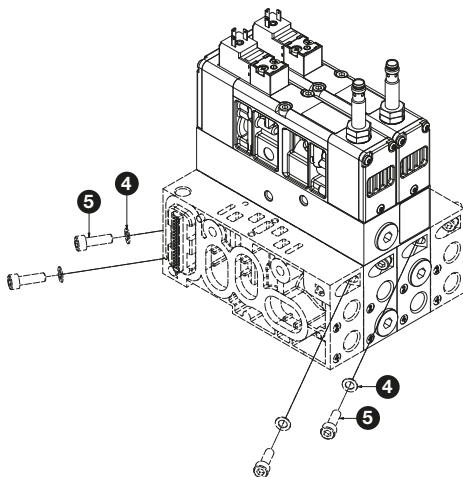
Solenoid valve Installation

- Place the valve **1** within the Series 2700 EVO solenoid valve group in the desired position.
- Place a modular sub-base **2** next to the valve while taking note of the aligning pins **3**.





- Fix the group by tightening the screws **5** with 4Nm torque while ensuring that the washer **4** is inserted with the screw.





Electric Connection

The device needs to be electrically powered through the micro solenoid pilot valve and the sensor.



WARNING

The electric connection must be done by trained and specialized operator. It must be done with components without voltage present. Incorrect pneumatic and electric connections may damage the device or compromise its correct operation.

To guarantee the correct operation of the device, the connections of each coil and each sensor must be electrically independent (parallel connection).

Only use power supplies which can guarantee a safe electrical isolation of the working voltage in accordance with IEC/EN 60204-1. Additionally, observe the requirements anticipated by the PELV circuits in accordance with IEC/EN 60204-1.

Electric Connection: Solenoid Pilot Valve

- Use suitable attachable connector which guarantees at least a protection of IP65 rating for the electric supply.
- Take note of the pin configuration of Faston connectors.
- Pneumax catalog contains dedicated connectors for solenoid pilot valves of Series 300 size 15mm.
- Clean the installation – operation zone to make sure that it is dust free to avoid that dust enters the connectors and affects IP protection performances.
- Verify the product ratings based on the connector model: Vmax, Imax, Temp. Max

Electric Connection: Sensor

- Use a suitable female connector to power up the sensor.
- Refer to www.ifm.com for further information regarding the proximity sensor.

Wiring diagrams and pin configurations are indicated below.

Based on the model, the wiring diagram and electric connection may vary.

Sensor	Output	Pin Configuration	Wiring Diagram
M8 MALE 3P Type A	NO		
M12 MALE 3P Type A	NO		

- Pin 1 – Brown
- Pin 4 – Black
- Pin 3 – Blue



START-UP

- Connect the air tubes with the pneumatic ports using pneumatic fittings.
- If necessary, install silencers on exhaust pneumatic ports where they are not installed.
- Ensure that exhaust pneumatic ports are not directed to work zones with people present in it.
- Electrically power up the coil at the rated voltage.
- Electrically power up the sensor at the rated voltage.
- Connect the sensor to the diagnostic system.
- Pneumatically supply the valve at the rated pressure.
- Verify the correct operation of the valve and the diagnostic system.
 - With a de-energised coil, the sensor in the ON status, connection 4 OUT not pressured.
 - With an energised coil, the sensor in OFF status, connection 4 OUT pressured.

Upon installation, before any use and periodically, verify the signal matching which puts in relation the input signals with the output signals.

STATUS 0: pneumatic / electric signal absent

STATUS 1: pneumatic / electric signal present

When the valve is in a safe state (valve at REST state), the sensor is in ON=1 state.

Signal matching table:

Internal Supply Valve									
INPUT	Sol. Pilot Valve 1	0	0	1	1	0	0	1	1
	Sol. Pilot Valve 2	0	0	0	0	1	1	1	1
	Pressure port 1	0	1	0	1	0	1	0	1
OUTPUT	Pressure port 2	0	1	0	1	0	1	0	0
	Pressure port 4	0	0	0	0	0	0	0	1
	Sensor 1	1	1	1	0	1	1	1	0
	Sensor 2	1	1	1	1	1	0	1	0



External Supply Valve

INPUT	Sol. Pilot Valve 1	0	0	0	0	1	1	1	1	0	0	0	0	1	1	1	1
	Sol. Pilot Valve 2	0	0	0	0	0	0	0	0	1	1	1	1	1	1	1	1
	Ext. Supply Port 14	0	0	1	1	0	0	1	1	0	0	1	1	0	0	1	1
	Pressure port 1	0	1	0	1	0	1	0	1	0	1	0	1	0	1	0	1
OUTPUT	Pressure port 2	0	1	0	1	0	1	0	0	0	1	0	1	0	1	0	0
	Pressure port 4	0	0	0	0	0	0	0	0	0	0	0	0	0	0	0	1
	Sensor 1	1	1	1	1	1	1	0	0	1	1	1	1	1	1	0	0
	Sensor 2	1	1	1	1	1	1	1	1	1	1	0	0	1	1	0	0

Test the control of the safety functions and the correct operation of the diagnostic system during installation or before any use and periodically test in the case of occasional usage.

The device features a monostable manual override with a mechanical spring return for its repositioning at rest state. The manual override can be activated with a suitable tool (such as a screwdriver) which allows the valve to be activated without electric supply and allows operations such as maintenance and controls. Likewise for the electric command, both manual overrides must be activated for the device to function. Removing at least one signal, the pressure at port 4 disappears.



WARNING

The manual override must be used only in case of authorised operation.

It must be used only when all suitable safety measures were taken.

It is forbidden to alter, tamper with or attempt to block the manual override in the pressurized circuit position.

Do not touch the device while it is operating.



CARE AND MAINTENANCE



WARNING

Do not connect or disconnect the device when powered up electrically.

Do not open and/or disassemble the parts that are included when the valve is energised.

Do not touch the device while it is operating.

1. Shut-off the pneumatic and electric supply of the device before undertaking any sort of maintenance operation.
2. Ensure that pneumatic and electric supply sources are in safe position to avoid unexpected start-up.
3. Wait for a few minutes before undertaking any operation on the device after removing the electric supply and for the device to cooldown.
4. Wait for residual pressure to be completely discharged.
5. Ensure that the exhaust is always clear, in case a silencer was used, verify periodically that it is unobstructed.
6. Periodically remove any dust deposits from the valve using a damp cloth.
7. Use soapy water to clean the device.
8. Do not use corrosive or alcohol-based products.
9. Consult with PNEUMAX SPA for maintenance operations on internal components.

DISPOSAL

The product must be disposed of in accordance with current regulations and cannot be dispersed into the environment.



ITALIANO

INDICE

AVVERTENZE GENERALI.....	18
INTRODUZIONE.....	19
RIFERIMENTI NORMATIVI	20
DESCRIZIONE.....	21
CARATTERISTICHE TECNICHE	21
CODICI DI ORDINAZIONE	25
ELEMENTI NELLA FORNITURA	26
CONDIZIONI D'USO	26
MONTAGGIO E INSTALLAZIONE	27
MESSA IN SERVIZIO	30
CURA E MANUTENZIONE	32
SMALTIMENTO	32
DICHIARAZIONE DI CONFORMITÀ.....	33

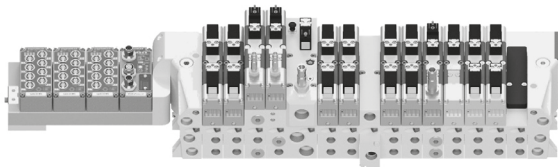


AVVERTENZE GENERALI

- Ogni dispositivo deve essere messo in funzione solo da personale formato e competente a seguito di un'attenta lettura e comprensione del presente manuale di istruzione.
- Si informa che il fabbricante si declina di ogni responsabilità dalle conseguenze che possono derivare dalla mancata ottemperanza delle indicazioni riportate nel presente manuale.
- Ogni forma di manomissione o intervento non autorizzato dal fabbricante è severamente vietato.
- Ogni forma di manomissione o intervento non autorizzato può invalidare la garanzia e la conformità del dispositivo ai requisiti essenziali delle direttive pertinenti.
- Ogni forma di manomissione o intervento non autorizzato può compromettere il corretto funzionamento del dispositivo e può causare pericoli a persone o cose.



INTRODUZIONE



La Serie 2700 EVO è una serie di dispositivi progettati e fabbricati da Pneumax S.p.A. in conformità alle direttive e normative applicabili. In particolare, le valvole sono state progettate secondo i requisiti della normativa ISO 15407-2, la quale impone le dimensioni del piano di posa pneumatico e la pinatura dei contatti elettrici.

Le elettrovalvole della Serie 2700 EVO sono disponibili nella taglia da 26mm con portate nominali che possono arrivare a 1000 NI/min.

Ciascuna elettrovalvola viene montata su una sottobase modulare con interfaccia pneumatica ed elettrica progettata secondo la normativa precedentemente citata e connessioni pneumatiche filettate G1/4". Ciascuna sottobase può essere montata in batteria fino ad un determinato numero di posizioni fino a gestire 32 segnali elettrici.

Il gruppo viene chiuso con i terminali sinistro e destro, entrambi dotati di connessioni pneumatiche filettate da G3/8" per l'alimentazione e scarico della rete e da connessioni da G1/8" per i pilotaggi, formando così un manifold di elettrovalvole.

I gruppi di elettrovalvole della Serie 2700 EVO sono progettati per potersi interfacciare con un sistema modulare della Serie PX3 del catalogo Pneumax permettendo ai gruppi di essere comandati elettricamente tramite un sistema multipolare o un sistema seriale interfacciandosi con diversi protocolli di comunicazione garantendo al prodotto una massima versatilità nell'integrazione in macchine e applicazioni differenti.

Un gruppo può interfacciarsi con una connessione multipolare e con i seguenti protocolli di comunicazione: CANopen®, EtherCAT, PROFINET IO RT, EtherNet/IP, PROFUBUS DP ed IO-Link. Ogni protocollo implementato permette di sfruttare al massimo le potenzialità ottenibili in termini di espandibilità e di gestioni di segnali in ingresso e in uscita.

La Serie 2700 EVO prevede inoltre vari dispositivi per determinate applicazioni. In particolare, sono stati realizzati dispositivi con caratteristiche che le rendono adatte ad essere impiegate in circuiti pneumatici di sicurezza. Questi vengono considerati componenti di sicurezza e rientrano nel campo di applicazione della direttiva macchine 2006/42/CE.



RIFERIMENTI NORMATIVI

Il dispositivo risulta conforme alle seguenti direttive e normative pertinenti.

DIRETTIVA

Direttiva 2006/42/CE	Macchine
----------------------	----------

DIRETTIVA

Direttiva 2014/30/EU	Compatibilità Elettromagnetica
----------------------	--------------------------------

NORMATIVE

EN 61000-6-2:2005	Compatibilità elettromagnetica (EMC) Parte 6-2: Norme generiche Immunità per gli ambienti industriali
EN 61000-6-4:2007	Compatibilità elettromagnetica (EMC) Parte 6-4: Norme generiche Emissione per gli ambienti industriali
EN 61000-6-4:2007/A1:2011	Compatibilità elettromagnetica (EMC) Parte 6-4: Norme generiche Emissione per gli ambienti industriali

DIRETTIVA

Direttiva 2011/65/EU	RoHS – Restrizione dell'uso di determinate sostanze pericolose nelle apparecchiature elettriche ed elettroniche
----------------------	---



DESCRIZIONE

Una elettrovalvola 5/2 Solenoide-Molla Ridondata Monitorata è un dispositivo della Serie 2700 EVO progettata in conformità con i requisiti della normativa ISO 15407-2. È un dispositivo dotato di un sistema di monitoraggio a doppio canale ridondante che legge le posizioni delle spole e rende noto gli stati della valvole. Le sue caratteristiche permettono di integrare il dispositivo in circuiti pneumatici di sicurezza. Il dispositivo permette di scaricare in sicurezza un circuito pneumatico a valle collegato alla porta 4 una volta che uno dei due o entrambi i comandi elettropneumatici vengono de-energizzati.

Simbolo Pneumatico secondo ISO 1219-1:2012	Descrizione
	Elettrovalvola autoalimentata 5/2 monostabile monitorata a comando elettropneumatico con sensore induttivo di prossimità con sistema di diagnostica dello stato della valvola.
	Elettrovalvola alimentazione esterna 5/2 monostabile monitorata a comando elettropneumatico con sensore induttivo di prossimità con sistema di diagnostica dello stato della valvola.

CARATTERISTICHE TECNICHE

Generali		
Connessioni pneumatiche secondo UNI ISO 228/1	Terminale Sinistro / Destro	Alimentazione 1: G3/8" Scarichi 3-5: G3/8" Pilotaggi 12-14: G1/8"
	Sottobase Modulare Terminale Sinistro/ Destro	Utilizzatori 2-4: G1/4"
	Interfaccia Pneumatica Intermedia	Presse pressostato: G1/4"
Fluido	Aria Compressa. Classe di purezza consigliata: [5:4:4] secondo ISO 8573-1:2010 È consigliato utilizzare aria filtrata con filtro di almeno 5µm.	
Funzione	5/2 NC Monostabile	
Pressione di esercizio [bar]	Alimentazione Esterna	Vacuum ÷ 10
	Autoalimentata	2 ÷ 10
Pressione di Pilotaggio [bar]	2 ÷ 10	
Temperatura di Esercizio [°C]	-10 ÷ 50	

**Generali**

Tipo di Installazione	Indifferente
Montaggio	In batteria
Livello di rumorosità [dB]	78
Tempo di Risposta ON ISO 12238 (TRA) [ms] (valido per 24VDC 2.3W)	25
Tempo di risposta OFF ISO 12238 (TRR) [ms] (valido per 24VDC 2.3W)	70
Massa [g]	1786

Portata [NI/min]	6 bar $\Delta p = 1$	6 bar in scarico libero
1 → 2	1000	1700
1 → 4	500	1000
2 → 3	500	900
4 → 5	1000	1700

Elettriche**ELETTROPILOTA**

Elettropilota	Serie 300 – Taglia 15 mm
Connessione Elettrica	Faston Terra / Connettori Serie 300
Caratteristiche Bobine	24 V DC 2.3 W 24 V DC 1 W
Tolleranza sulla Tensione di Alimentazione	-5% ÷ +10%
Comando Manual integrato	Sì
Grado di protezione IP	IP65 (con connettore montato)

Nota: Fare riferimento al catalogo generale per informazioni più dettagliate sulla microelettrovalvola.

SENSORE DI PROSSIMITÀ

Fabbricante Sensore	ifm electronics s.r.l.	
Modello Sensore	IE5390	IFS285
Tipo	Singolo Canale	Singolo Canale
Filettatura	M8X1	M12X1
Modello elettrico	PNP	PNP
Funzione uscita	NO	NO
Tensione di esercizio	10 ÷ 30 VDC	10 ÷ 30 VDC
Corrente assorbita [mA]	< 20	< 20
Classe di isolamento	III	III
Display	Stato commutazione 4x90° LED Giallo	Stato commutazione 4x90° LED Giallo
Materiale	Acciaio Inossidabile	Ottone con rivestimento bianco
Protezione	IP65 (connettore montato)	IP65 (connettore montato)

Nota: Il fabbricante e il modello del sensore possono essere cambiati a discrezione di Pneumax S.p.A.



Caratteristiche di Sicurezza

Conforme alle normative	EN ISO 13849-1:2015 EN ISO 13849-2:2012	
Funzione di Sicurezza	Interruzione dell'alimentazione e scarico di un circuito pneumatico collegato alla porta 4	
Feedback del sensore	Valvola a RIPOSO	ON
	Valvola AZIONATA	OFF
MTTFd Sensore	Singolo Canale M8	1088 anni
	Singolo Canale M12	932 anni
Performance Level (PL)	Fino a PL=e	
Categoria	Fino a 4	
B10d	630.000 cicli (riferita ad una singola valvola)	
Marcatura CE (Vedi Dichiarazione di Conformità)	<ul style="list-style-type: none"> • Direttiva 2006/42/CE • Direttiva 2014/30/EU • Direttiva 2011/65/EU 	

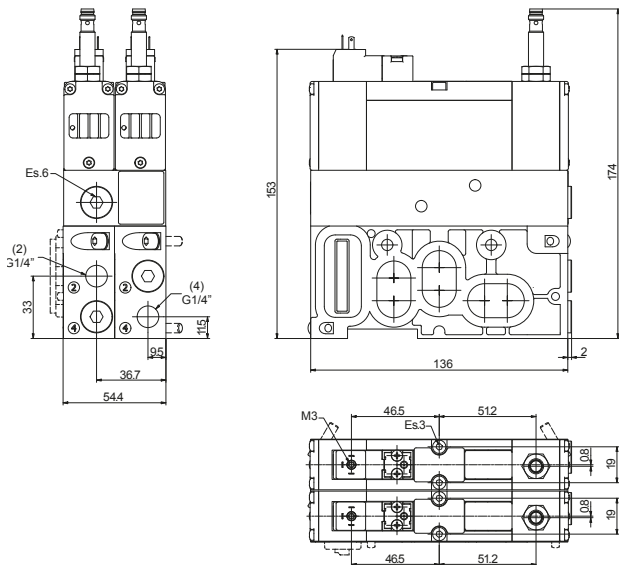
Notes:

General Procedures for assessing pneumatic component reliability by testing performed in accordance with ISO 19973-1, Pneumatic fluid power - Assessment of component reliability by testing - Part 1: General Procedures. Reliability and lifetime of pneumatic valves assessed in accordance with ISO 19973-2: Pneumatic fluid power – Assessment of component reliability by testing – Part 2: Directional control valves.

Le attività di identificazione delle funzioni di sicurezza, di stima del livello di affidabilità richiesto (ad esempio la stima del PLr secondo EN ISO 13849-1), di progettazione e costruzione dei relativi circuiti di sicurezza, di verifica e validazione dei circuiti di sicurezza, sono in carico al soggetto che integra l'elettrovalvola nell'applicazione finale. La scelta e il soddisfacimento dei requisiti delle categorie secondo la norma EN ISO 13849-1 è in carico al soggetto che integra l'elettrovalvola nell'applicazione finale, in funzione della effettiva configurazione del circuito di sicurezza finale. Il valore di DC (copertura diagnostica) garantito dal sensore deve essere calcolato dal soggetto che integra l'elettrovalvola nell'applicazione finale, in funzione della effettiva configurazione del circuito di sicurezza finale (ad esempio, in funzione della programmazione del PLC di sicurezza che comanda la elettrovalvola e acquisisce lo stato del sensore). La stima della DC deve rispettare le indicazioni della norma EN ISO 13849-1. Secondo la normativa EN ISO 13849-1, il valore di T10D deve essere calcolato dal soggetto che integra l'elettrovalvola nell'applicazione finale, in funzione della stima del numero di operazioni all'anno cui verrà sottoposto il componente. In ogni caso, il componente deve essere sostituito ogni 20 anni.

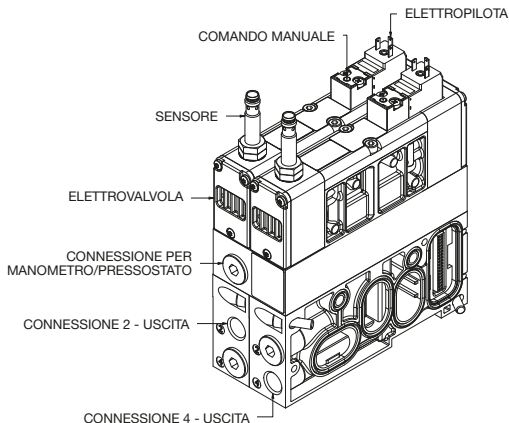
**Costruttive**

Corpo	Alluminio Pressofuso
Operatori	Tecnopolimero
Piastra di chiusura operatore	Tecnopolimero
Spola	Alluminio
Guarnizione Spola	HNBR
Pistone	POM
Molla	Acciaio Inossidabile
Cursore	Acciaio Inossidabile
Sensore	Sensore Induttivo di prossimità Normalmente aperta
Interfaccia Elettrica	Serie 300 - Taglia 15mm Connettori Faston
Interfaccia Pneumatica Intermedia	Alluminio
Base Modulare	Alluminio pressofuso

Dimensioni di ingombro



Elementi Operativi



CODICI DI ORDINAZIONE

27V2S

ALIM. PNEUMATICA EV. ←

A = Autoalimentata

E = Alimentazione Esterna

SENSORE DI PROSSIMITÀ ←

M8 = M8x1 (Singolo Canale)

M12 = M12x1 (Singolo Canale)

TENSIONE ←

02 = 24V DC

08 = 24V DC 1W



ELEMENTI NELLA FORNITURA

Inclusi nella fornitura:

- Elettrovalvola 5/2 solenoide-molla ridondata monitorata

Esclusi nella fornitura:

- Connettore a cablare per elettropiloti
- Connettore per sensore
- Raccordi e silenziatori

CONDIZIONI D'USO

- Utilizzare il dispositivo rispettando i parametri di impiego indicati (pressione, temperatura, tensione, ecc.).
- Rimuovere in modo adeguato le particelle solide presenti nel circuito di alimentazione in modo da proteggere il dispositivo da guasti precoci e maggiore usura.
- Garantire un'adeguata preparazione dell'aria compressa, in termini di filtrazione e lubrificazione. Se presente, la lubrificazione deve essere continua.
- Il dispositivo non è progettato per il sezionamento manuale dell'alimentazione.
- Il dispositivo non è progettato per essere utilizzato come dispositivo manuale e bloccabile per il sezionamento manuale dell'alimentazione di energia.
- La fornitura di dispositivi che consentono di isolare la macchina da ciascuna delle sue fonti di alimentazione energetica è a carico dell'utilizzatore finale del dispositivo.
- Quando il dispositivo viene azionato o spento, bisogna prevedere misure di protezione contro movimenti inaspettati e incontrollati di attuatori comandati da questa valvola.
- Alimentare il dispositivo in modo graduale e controllato per evitare movimenti improvvisi e non controllati.
- Il dispositivo può produrre del rumore durante il suo funzionamento. È consigliato installare dei silenziatori sulle bocche di scarico. Prevedere dello spazio sufficiente per il montaggio degli stessi.
- Il livello di rumorosità dipende dal circuito finale in cui verrà integrato il dispositivo. Valutare il corretto utilizzo di dispositivi otoprotettori durante l'utilizzo del dispositivo in base alla normativa locale sulla sicurezza nei luoghi di lavoro.
- Il dispositivo deve poter scaricare pneumaticamente in zone non pericolose connesse all'atmosfera.
- Il dispositivo deve essere protetto da urti e vibrazioni che possono compromettere il suo corretto funzionamento.
- È vietato installare il dispositivo in ambienti con atmosfere potenzialmente esplosive.
- Parti non metalliche del dispositivo e oggetti nelle sue vicinanze che possono accumulare cariche elettrostatiche non devono essere soggette a strofinamento con altri oggetti in moto relativo.
- Il dispositivo è idoneo ad essere impiegato in aree industriali.
- Il dispositivo non è idoneo ad essere impiegato in aree residenziali.
- Il dispositivo è destinato ad essere installato in luoghi interni.
- Installare il dispositivo il più vicino possibile al punto di impiego.
- Utilizzare il dispositivo con un PLC di sicurezza.



MONTAGGIO E INSTALLAZIONE



AVVERTENZE

Effettuare l'installazione rispettando i requisiti di sicurezza relativi a sistemi e ai loro componenti per trasmissioni oleoidrauliche e pneumatiche.

Effettuare l'installazione rispettando i requisiti di sicurezza relativi a sistemi e ai loro componenti per trasmissioni oleoidrauliche e pneumatiche.

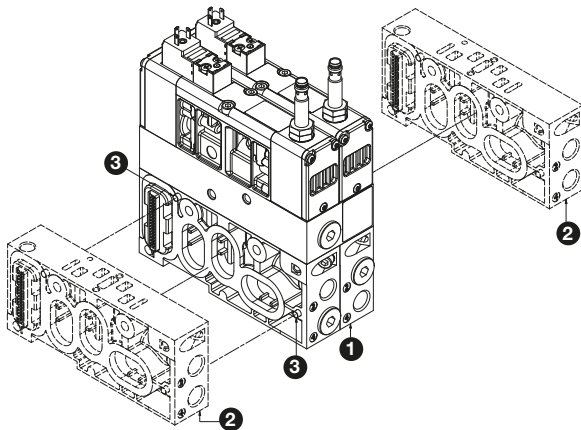
Prevedere misure di sicurezza per prevenire pericoli dovuti alla vicinanza di cavi sotto tensione, campi magnetici, masse di metallo a conduzione magnetica molto vicine al dispositivo che possono influenzare e disturbare il sistema di diagnostica.

Prima di effettuare qualsiasi operazione di montaggio, installazione o manutenzione, assicurarsi che le fonti dell'aria compressa e di alimentazione elettrica siano spente e che siano bloccate per evitare avviamenti inattesi.

Assicurarsi che le bocche di scarico non siano dirette a operatori.

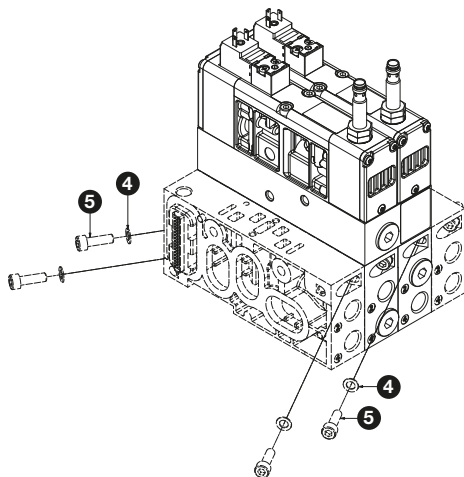
Montaggio Elettrovalvola

- Posizionare l'elettrovalvola **1** all'interno di un gruppo di elettrovalvole della Serie 2700 EVO nella posizione desiderata.
- Avvicinare una sottobase adiacente **2** all'elettrovalvola facendo attenzione alle spine di allineamento **3**.





- Fissare il gruppo con le viti di fissaggio **5** con una coppia di 4 Nm e assicurandosi che la rondella **4** sia inserita nella vite.





Connessione elettrica

Il dispositivo richiede di essere alimentato elettricamente tramite l'elettropilota e il sensore induttivo.



ATTENZIONE

Il collegamento deve essere eseguito da personale formato e specializzato. Il collegamento elettrico deve essere eseguito con i componenti privi di tensione.

Collegamenti pneumatici ed elettrici errati possono danneggiare il dispositivo e compromettere il suo corretto funzionamento.

Per garantire il corretto funzionamento del prodotto, i collegamenti di ciascuna bobina e di ciascun sensore devono essere elettricamente indipendenti (collegamento in parallelo).

Utilizzare esclusivamente alimentazioni elettriche in grado di garantire un sezionamento elettrico sicuro della tensione di esercizio secondo IEC/EN 60204-1. Attenersi ai requisiti previsti per i circuiti PELV secondo IEC / EN 60204-1.

Connessione Elettrica: Elettropilota

- Utilizzare un connettore a cablare adeguato che garantisca almeno una protezione IP65 per l'alimentazione elettrica dell'elettropilota.
- Fare attenzione alla pinatura dei connettori Faston.
- Il catalogo Pneumax prevede connettori dedicati per elettropiloti della Serie 300 da 15mm.
- Pulire la zona di installazione dalla polvere per evitare che entri nel connettore e per evitare che vanifichi la protezione IP.
- Verificare le condizioni di impiego in base al modello di connettore in fase di installazione: Vmax, Imax, Temp. Max

Connessione Elettrica: Sensore

- Utilizzare un connettore femmina adeguato ad alimentare il sensore.
- Per informazioni dettagliate sul sensore fare riferimento al sito www.ifm.com

Si riportano di seguito gli schemi elettrici e le pinature dei sensori. A seconda del modello, lo schema e il collegamento elettrico possono variare.

Sensore	Uscita	Pinatura	Schema Elettrico
M8 MASCHIO 3P Tipo A	NO		
M12 MASCHIO 3P Tipo A	NO		

- Pin 1 – Marrone
- Pin 4 – Nero
- Pin 3 – Blu



MESSA IN SERVIZIO

- Collegare i tubi dell'aria mediante raccordi pneumatici con le porte di connessioni pneumatiche previste.
- Se necessario, installare dei silenziatori nelle porte di connessione di scarico e là dove non fosse installato.
- Assicurarsi che le bocche di scarico non siano dirette in zone di lavoro con persone presenti.
- Alimentare elettricamente le bobine di entrambe le elettrovalvole alla tensione nominale.
- Alimentare elettricamente i sensori di entrambe le elettrovalvole alla tensione nominale.
- Collegare entrambi i sensori al sistema di diagnostica.
- Alimentare pneumaticamente la valvola alla pressione nominale.
- Verificare il corretto funzionamento della valvola e del sistema di diagnostica.
 - a bobina diseccitata, sensore in stato ON, connessione 4 OUT non in pressione
 - a bobina eccitata, sensore in stato OFF, connessione 4 OUT in pressione

Eseguire all'installazione, prima di ogni utilizzo e periodicamente i controlli di corrispondenza dei segnali che mettono in relazione gli stati di ingressi e uscite.

STATO 0: alimentazione pneumatica/segnale elettrico assente

STATO 1: alimentazione pneumatica/segnale elettrico presente

Quando la valvola è in stato sicuro (condizione di valvola a riposo) il sensore è in stato ON = 1.

Tabella di corrispondenza dei segnali:

Valvola Autoalimentata									
INGRESSI	Elettropilota 1	0	0	1	1	0	0	1	1
	Elettropilota 2	0	0	0	0	1	1	1	1
	Pressione Porta 1	0	1	0	1	0	1	0	1
OUTPUT	Pressione Porta 2	0	1	0	1	0	1	0	0
	Pressione Porta 4	0	0	0	0	0	0	0	1
	Sensore 1	1	1	1	0	1	1	1	0
	Sensore 2	1	1	1	1	1	0	1	0


Valvola con Alimentazione Esterna

INGRESSI	Elettropilota 1	0	0	0	0	1	1	1	1	0	0	0	0	1	1	1	1
	Elettropilota 2	0	0	0	0	0	0	0	0	1	1	1	1	1	1	1	1
	Alimentazione Est. Porta 14	0	0	1	1	0	0	1	1	0	0	1	1	0	0	1	1
	Pressione Porta 1	0	1	0	1	0	1	0	1	0	1	0	1	0	1	0	1
OUTPUT	Pressione Porta 2	0	1	0	1	0	1	0	0	0	1	0	1	0	1	0	0
	Pressione Porta 4	0	0	0	0	0	0	0	0	0	0	0	0	0	0	0	1
	Sensore 1	1	1	1	1	1	1	0	0	1	1	1	1	1	1	0	0
	Sensore 2	1	1	1	1	1	1	1	1	1	1	0	0	1	1	0	0

Prevedere un controllo della funzione di sicurezza e il corretto funzionamento del sistema di diagnostica, all'installazione, prima di ogni utilizzo e periodicamente in caso di raro utilizzo.

Il dispositivo è dotato di un comando manuale monostabile con ritorno molla per il riposizionamento allo stato di riposo. Il comando manuale è azionabile tramite un attrezzatura adeguata che permette di far commutare la valvola in mancanza di energia elettrica e di fare operazioni come manutenzione o controlli. Come per gli elettropiloti, entrambi i comandi manuali devono essere azionati per poter azionare il dispositivo. Togliendo almeno un segnale, la pressione nella porta 4 scompare.


Avvertenze

Il comando manuale è da utilizzare solo in caso di operazioni autorizzate.

È da utilizzare solo dopo aver preso tutte le misure di sicurezza adeguate.

È vietato alterare, manomettere o tentare di bloccare il comando manuale in posizione di circuito in pressione.

Non toccare il dispositivo mentre è in funzione.



CURA E MANUTENZIONE



Avvertenze

Non collegare o scollegare l'apparecchio sotto tensione.

Non aprire e/o smontare le parti che compongono la valvola sotto tensione.

Non toccare il dispositivo mentre è in funzione.

1. Togliere l'alimentazione pneumatica ed elettrica al dispositivo prima di effettuare qualsiasi operazione di manutenzione.
2. Assicurarsi che le fonti di energia elettrica e pneumatica siano in posizione sicura per evitare avviamenti imprevisti.
3. Attendere qualche minuto prima di eseguire qualsiasi operazione sul dispositivo una volta tolta la tensione e per il dispositivo di raffreddarsi.
4. Attendere che la pressione residua venga completamente scaricata.
5. Accertarsi che lo scarico sia sempre libero, in caso si utilizzi un silenziatore verificare periodicamente che non sia intasato.
6. Rimuovere periodicamente eventuali depositi di polvere dalla valvola utilizzando un panno umido.
7. Per la pulizia del dispositivo utilizzare acqua saponata.
8. Non utilizzare prodotti aggressivi o a base di alcool.
9. Per operazioni di manutenzione su componenti interni rivolgersi a PNEUMAX SPA.

SMALTIMENTO

Il prodotto deve essere smaltito secondo le norme vigenti e non può essere disperso nell'ambiente.



DICHIARAZIONE DI CONFORMITÀ DECLARATION OF CONFORMITY

	EU DECLARATION OF CONFORMITY DICHIARAZIONE UE DI CONFORMITA'	N.	TF221001-DC
		Date	27/03/2024

Pneumax S.p.A.
Via Cascina Barbellina, 10
24050 Lurano (BG) - Italy

Declares under its responsibility that products:

Dichiara sotto la sua responsabilità che i prodotti:

MONITORED 5/2 SOLENOID-SPRING SOLENOID VALVE ELETTROVALVOLA 5/2 SOLENOIDE-MOLLA MONITORATA	27VS###
MONITORED REDUNDANT 5/2 SOLENOID-SPRING SOLENOID VALVE ELETTROVALVOLA 5/2 SOLENOIDE-MOLLA RIDONDATA MONITORATA	27V2S###
MONITORED 3/2 SOLENOID-SPRING PILOT 14 CONTROL SOLENOID VALVE ELETTROVALVOLA 3/2 SOLENOIDE-MOLLA MONITORATA CONTROLLO PILOTAGGIO 14	27P###
SOLENOID VALVE FOR PROGRESSIVE START ELETTROVALVOLA PER INSERIMENTO PROGRESSIVO DM	27EP#####M

is in conformity with the following directives and standards or other normative documents:

è conforme alle seguenti direttive e norme o altri documenti normativi:

DIRECTIVE	
Directive 2006/42/EC	Machinery

DIRECTIVE	
Directive 2014/30/EU	Electromagnetic compatibility
STANDARDS	
EN 61000-6-2:2005	Electromagnetic compatibility (EMC) - Part 6-2: Generic standards - Immunity standard for industrial environments
EN 61000-6-4:2007	Electromagnetic compatibility (EMC) - Part 6-4: Generic standards - Emission standard for industrial environments
EN 61000-6-4:2007/A1:2011	Electromagnetic compatibility (EMC) Generic standards. Emission standard for industrial environments

DIRECTIVE	
Directive 2011/65/EU	RoHS - Restriction of the use of certain hazardous substances in electrical and electronic equipment

The authorised person to compile the technical file is:

La persona autorizzata a costituire il fascicolo tecnico è:

PNEUMAX S.p.A.
Via Cascina Barbellina, 10 – 24050 Lurano (BG) ITALIA

PNEUMAX S.p.A.
Lurano (BG) Italy
27/03/2024

The Legal Representative
Il Legale Rappresentante

Rossella Bottacini



PNEUMAX

PNEUMAX S.p.A.

Via Cascina Barbellina, 10

24050 Lurano (BG) - Italy

P. +39 035 41 92 777

info@pneumaxspa.com

