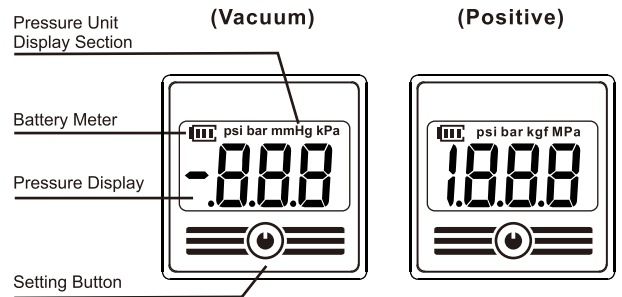
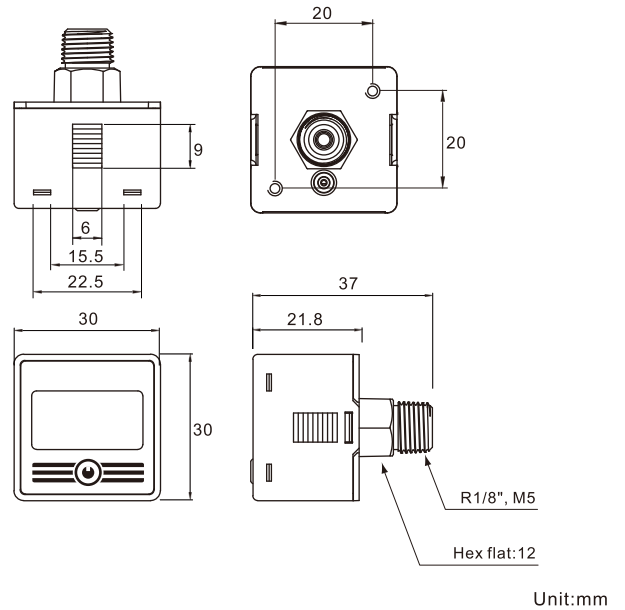


PANEL DESCRIPTION



DIMENSIONS



For your safety, please read the following before using.

- ① Do not use corrosive or flammable gas or liquid with this product.
- ② Please use within the rated pressure range. Do not apply pressure beyond recommended maximum pressure, permanent damage to the pressure gage may occur.
- ③ Do not drop, hit or allow excessive shock. Even if pressure gage body appears undamaged, internal components may be broken and can cause malfunction.
- ④ Do not use in environment containing steam or oil vapor.
- ⑤ This product is not explosion-proof rated. Do not use in atmosphere containing flammable or explosive gases.
- ⑥ Using filter can extend pressure gage's service life.

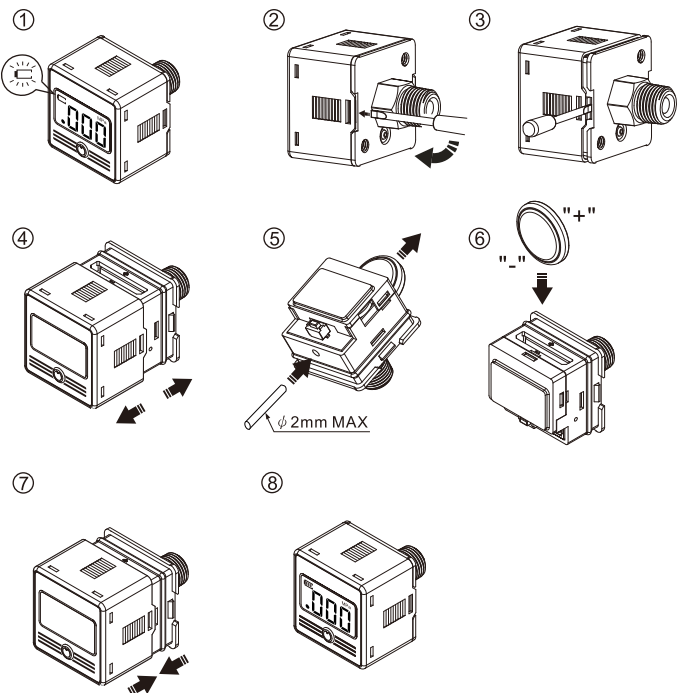
SPECIFICATIONS		DS.60.V.I.F1.F.0 (Vacuum)	DS.60.P.I.F1.F.0 (Positive)
Rated pressure range		0 + -101kPa	0.000 + 1.000MPa
Display pressure range		10 + -101kPa	-0.100 + 1.000MPa(*1)
Withstand pressure		300kPa	1.5MPa
Fluid		Filtered air, incombustible and non-corrosive gas	
Pressure resolution	kPa	1	—
	MPa	—	0.001
	kgf/cm ²	—	0.01
	bar	0.01	0.01
	psi	0.1	0.1
	mmHg	1	—
Battery		CR 2032 lithium	
Battery life		3 years (5 times/day)	
Low-power indicator		Yes	
Battery replaceable		Yes	
Turn-on interval		Display turn off after 60 seconds.	
Repeatability		±1% F.S. ±1 digit	±0.2% F.S. ±1 digit
7 segment LCD display		3 ½ digit LCD display (Sampling rate : 2 times/sec.)	
Indicator accuracy		±2% F.S. ±1 digit	
Environment	Protection degree	IP65 (*2)	
	Ambient temp. range	Operation: 0 + 50 °C, storage: -10 + 60 °C (No condensation or freezing)	
	Ambient humidity range	Operation/Storage: 35 + 85% RH (No condensation)	
	Vibration	Total amplitude 1.5mm or 10G, 10Hz-55Hz-10Hz scan for 1 minute, two hours each direction of X, Y and Z	
Shock		100m/s ² (10G), 3 times each in direction of X, Y and Z	
Temperature characteristic		±2% F.S. of detected pressure (25°C) at temp. range of 0+50°C	
Port size		R1/8", M5	
Weight		Approx. 40g	

(*1) When the pressure is -0.1MPa, LCD displays -0.00 MPa.
 (*2) Air tube must be installed to maintain IP65.

BATTERY STATUS / INSTALLATION

FOLLOW THE STEPS BELOW

- Insert into the back of the pressure gage a flat screwdriver size 1.4 ÷ 3.0 mm as pictured. (See figure ②)
- Turn the screwdriver horizontally 90° to separate the case and the base. Repeat this process again for the other side. (See figure ③)
- Carefully remove the outer cover (See figure ④), and follow the diagrams below to replace battery and reassembly. Polarity must be observed, incorrect battery installation will cause malfunction.



ORDERING CODE

D S . 6 0 . . I . F 1 . F . 0

Pressure Range

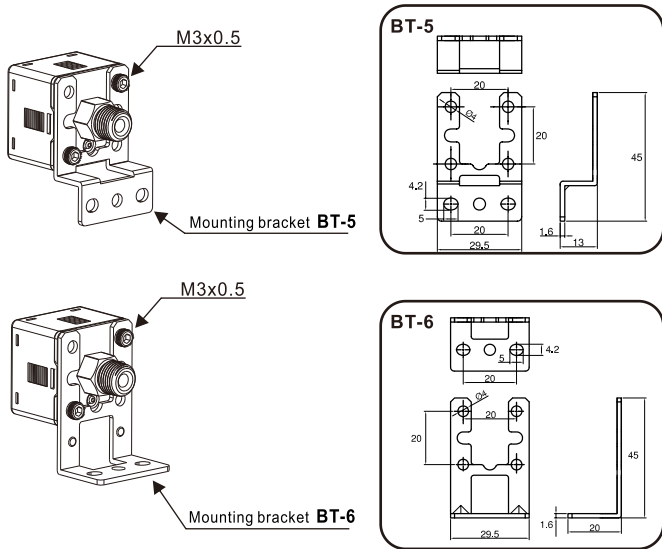
V : Vacuum (0 + -101 kPa)
 P : Positive (0.000 + 1.000 MPa)

Optional Parts

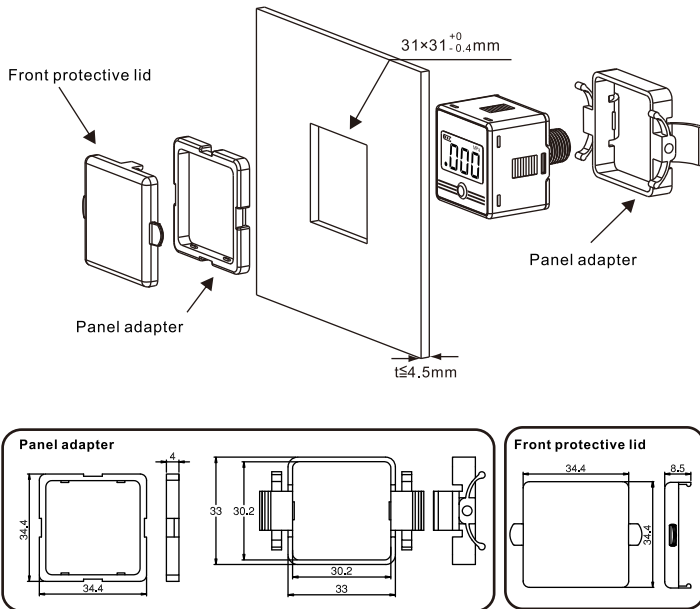
- BT-5 : Mounting bracket
- BT-6 : Mounting bracket
- PA-C : Panel adapter
- PA-D : Panel adapter + Front protective lid

OPTIONAL PARTS DIMENSIONS

① Mounting bracket



② Panel mounting

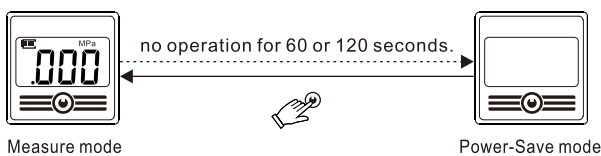


PRESSURE UNIT CONVERSION TABLE

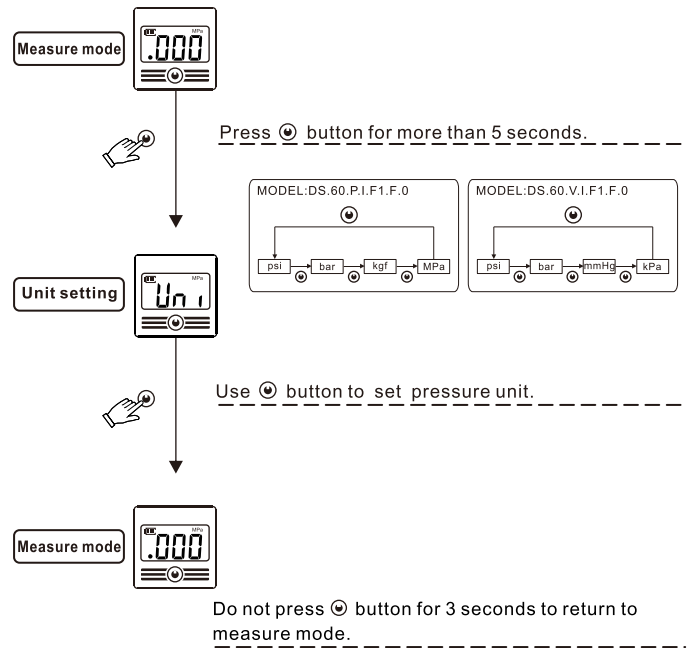
From \ To	kPa	MPa	kgf/cm ²	mmHg	psi	bar
1 kPa	1	0.001000	0.010197	7.500616	0.145038	0.010000
1 MPa	1000	1	10.197	7500.616	145.038	10
1 kgf/cm ²	98.0665	0.0980665	1	735.559	14.2233	0.980665
1 mmHg	0.13332	0.000133	0.0013595	1	0.019336	0.0013332
1 psi	6.895	0.006895	0.07031	51.7157	1	0.06895
1 bar	100.0000	0.100000	1.01972	750.062	14.5038	1

POWER-SAVE MODE

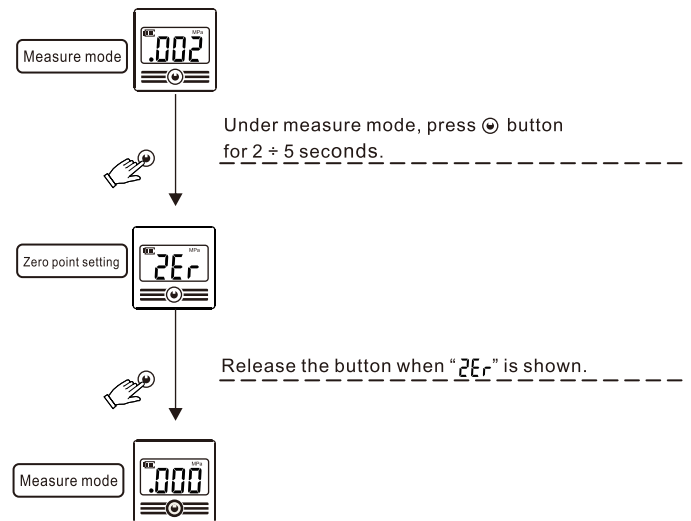
- ⊙ The pressure gage will enter power saving mode if the ⊙ button is not pressed within 60 seconds.
- ⊙ In measure mode, press the ⊙ button to extend display for 120 seconds.



PRESSURE UNIT SETTING MODE

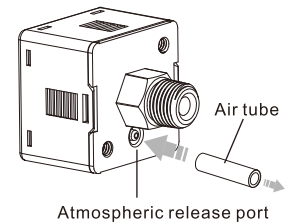


ZERO POINT SETTING



DUSTY AND SPLASHING ENVIRONMENT

- To maintain IP65, please insert an air tube (O.D.: 4mm) into atmospheric release port and pipe the other end away from dust / splashing liquid environment.
- Use proper air tube dimension of O.D.: 4mm, I.D.: 2.5mm, and the length is depending on the user's environment.



ERROR CODE INSTRUCTION

Error Name	Error code	Error Instruction	Troubleshooting
Residual pressure error	Err	During zero reset, ambient pressure is over ±3% F.S.	Change input pressure to ambient pressure and perform zero reset again.
Applied pressure error	HHH	The applied pressure exceeds the upper limit of pressure setting.	Adjust the pressure within applied pressure range.
	LLL	The applied pressure exceeds the lower limit of pressure setting.	
Battery error	bAt	When battery level is under 2.40V, the battery symbol and bAt will flash 4 times then enter power save mode.	Replace battery.