



PNEUMAX



MULTIPROTOCOL MODULE - **SERIES PX**

TECHNOLOGY AND FLEXIBILITY



PNEUMAX



Pneumax

Smart Technologies and Human Competence

Founded in 1976, **Pneumax S.p.A.** is today one of the leading, international manufacturers of components and systems for automation. It is at the fore front of a group comprised of 27 companies, with over 800 employees worldwide. Ongoing investment in research and development has allowed **Pneumax** to continually expand its range of standard products and customised solutions, adding to the well-established pneumatic technology, a range of electric drive actuators and fluid control components. The desire to provide the service and specific application skills has led to the creation of 3 business units, dedicated to Industrial Automation, Process Automation and Automotive sector.



The ability to provide various technologies and solutions for each of our clients applications is the main objective of the Company, making Pneumax the ideal strategic partner.

What defines us is the “**Pneumax Business Attitude**”, born out of the capacity to combine industry sectors, technology and our application skills via the clients collaboration with our business and product specialists.

The most effective solutions are studied around the TCO (Total cost of ownership) related to the entire life cycle of the product.

This represents the main Pneumax distinguishing factor.



Pneumatic technology



Electric actuation



Fluid control

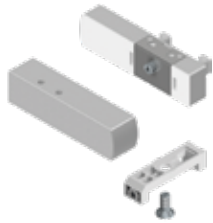


Index

Multiprotocol module - Series PX

Introduction

3



Configurator	4
Configuration examples	5
Accessories	6
Module assembly instructions	7

Serial systems



CANopen® protocol node kit	8
PROFIBUS DP protocol node kit	9
EtherNet/IP protocol node kit	10
EtherCAT® protocol node kit	11
PROFINET IO RT protocol node kit	12
IO-Link protocol interface kit	13

Inputs and outputs modules



8 digital inputs module kits M8 & M12	14
8 digital outputs module kits M8 & M12	15
32 digital inputs and 32 digital outputs module kits (37 pin SUB-D connector)	16
Analogue inputs module kit M8	17
Analogue outputs module kit M8	18
Pt100 inputs module kit	19

Additional modules

20

Signal management

21

Connectors

22



Series PX

AIR DISTRIBUTION



SERIES PX MODULAR ELECTRONIC SYSTEM

- **Maximum flexibility**
- **Digital and analogue I/O modules**
- **Stand alone solution connectable via SUB-D cable to all manifolds**
- **Manufactured in technopolymer**
- **Wide range of communication protocols**



FLEXIBILITY IN A COMPACT SPACE

Series PX modular electronic system has been designed to offer control and acquisition hardware for pneumatic and electric devices; it supports the most diffused communication protocols and can be configured with I/O modules, both digital and analog.

Series PX in stand alone version can be connected to every solenoid valves battery by using SUB-D connector, on the other hand Series PX can be directly connected to the following Pneumax solenoid valves series:

- Optyma S
- Optyma F
- Optyma T
- 2700
- 3000

Technopolymer bodies and sub-base and compact design has been studied to optimise room taken by the whole system, they make Serie PX extremely light and guarantee maximum flexibility.

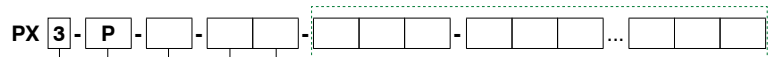
The ability to quickly and easily configure the system, the range of modules and accessories available meet at the best the specific application needs of many industrial sectors.

Configurable on Cadenas platform





Configurator



Version	
3	Series 3000 version

Type	
P	Technopolymer

Endplates accessories	
	Without DIN rail adapter
G	With DIN rail adapter

Electric connection	
C3	CANopen® node 64 IN - 64 OUT (32 fixed)
C4	CANopen® node 64 IN - 64 OUT (48 fixed)
P3	PROFIBUS DP node 64 IN - 64 OUT (32 fixed)
P4	PROFIBUS DP node 64 IN - 64 OUT (48 fixed)
I4	EtherNet/IP node 128 IN - 128 OUT (48 fixed)
A4	EtherCAT® node 128 IN - 128 OUT (48 fixed)
N4	PROFINET IO RT node 128 IN - 128 OUT (48 fixed)
K3	IO-Link protocol interface 64 IN - 64 OUT (32 fixed)
K4	IO-Link protocol interface 64 IN - 64 OUT (48 fixed)

Electric connection accessories	
	Without DIN rail adapter
G	With DIN rail adapter

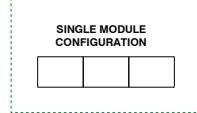
Number of repetitions per module	
	Indicate the number of repetitions of the same module (no value for a single module)

Inputs module - Analogue / Digital (Optional)	
D8	8 M8 digital inputs module
D12	8 M12 digital inputs module
D3	32 digital inputs SUB-D 37 pins
T1	2 analogue inputs 0-5V module (voltage signal)
T2	2 analogue inputs 0-10V module (voltage signal)
T3	4 analogue inputs 0-5V module (voltage signal)
T4	4 analogue inputs 0-10V module (voltage signal)
C1	2 analogue inputs 0-20mA module (current signal)
C2	2 analogue inputs 4-20mA module (current signal)
C3	4 analogue inputs 0-20mA module (current signal)
C4	4 analogue inputs 4-20mA module (current signal)
P1	2 Pt100 2 wires inputs module
P2	2 Pt100 3 wires inputs module
P3	2 Pt100 4 wires inputs module
P4	4 Pt100 2 wires inputs module
P5	4 Pt100 3 wires inputs module
P6	4 Pt100 4 wires inputs module

Outputs module - Analogue / Digital (Optional)	
M8	8 M8 digital outputs module
M12	8 M12 digital outputs module
M3	32 digital outputs SUB-D 37 pins
V1	2 analogue outputs 0-5V module (voltage signal)
V2	2 analogue outputs 0-10V module (voltage signal)
V3	4 analogue outputs 0-5V module (voltage signal)
V4	4 analogue outputs 0-10V module (voltage signal)
L1	2 analogue outputs 0-20mA module (current signal)
L2	2 analogue outputs 4-20mA module (current signal)
L3	4 analogue outputs 0-20mA module (current signal)
L4	4 analogue outputs 4-20mA module (current signal)

Additional modules (Optional)	
P12	M12 additional power supply module

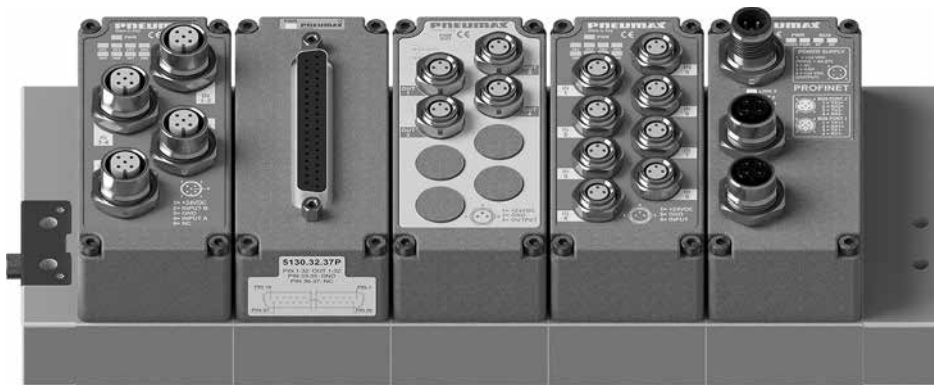
Module accessories	
	Without DIN rail adapter
G	With DIN rail adapter



AIR DISTRIBUTION

Refer to the current limits indicated in the pages relating to the nodes / IO-Link interface

Configuration examples



Example shown: PX3-P-N4-D8-V4-M3-D12

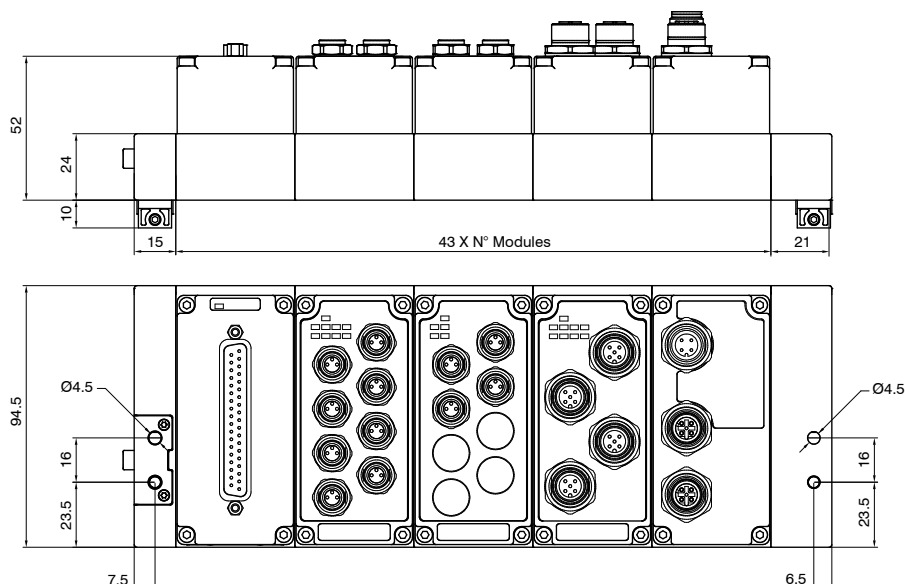
Multiprotocol module with PROFINET IO RT protocol node, M8 digital input module, M8 analogue output module, 37 pin (SUB-D) digital output module and M12 digital input module.



Example shown: PX3-P-G-A4-3D8-2M12

Multiprotocol module with EtherCAT® protocol node, 3 M8 digital input modules and 2 M12 digital output modules; also includes DIN rail adaptors.

Overall dimensions

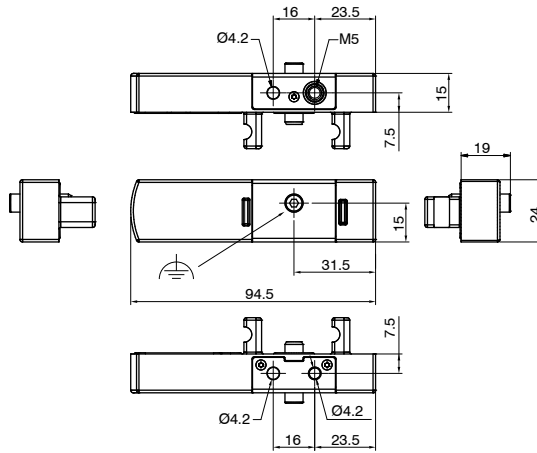


▶ Left endplate kit

Coding: 3100.KT.00



Weight 52 g

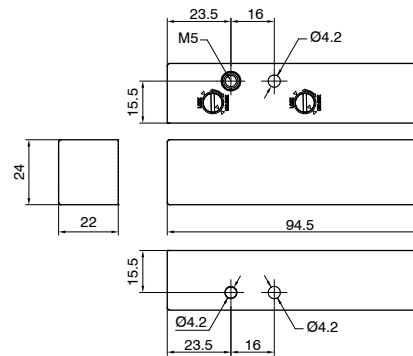


▶ Right endplate kit

Coding: 3100.KT.03



Weight 51 g

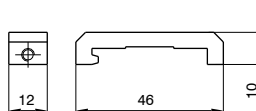


▶ DIN rail adapter

Coding: 3100.16



Weight 12 g



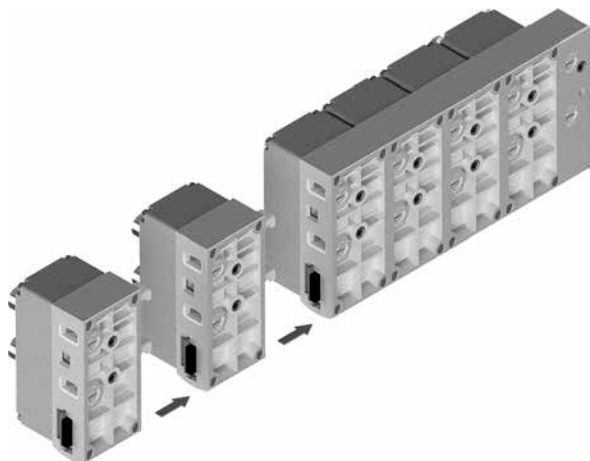
▶ Cable complete with connector, male 37 poles, IP65

Coding: 2400.37.M.Ⓛ.ⓐ

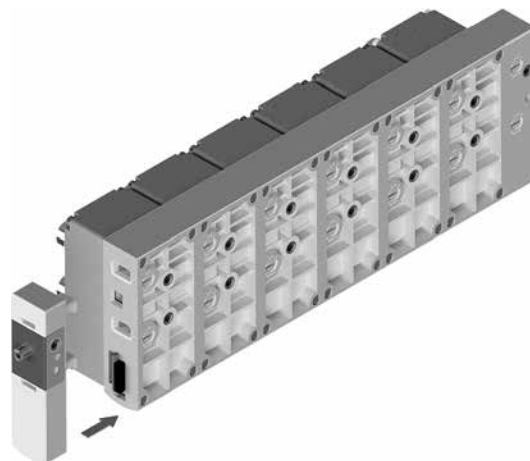


	CABLE LENGTH
Ⓛ	03 = 3 meters
	05 = 5 meters
	10 = 10 meters
	CONNECTOR
ⓐ	10 = In line
	90 = 90° Angle

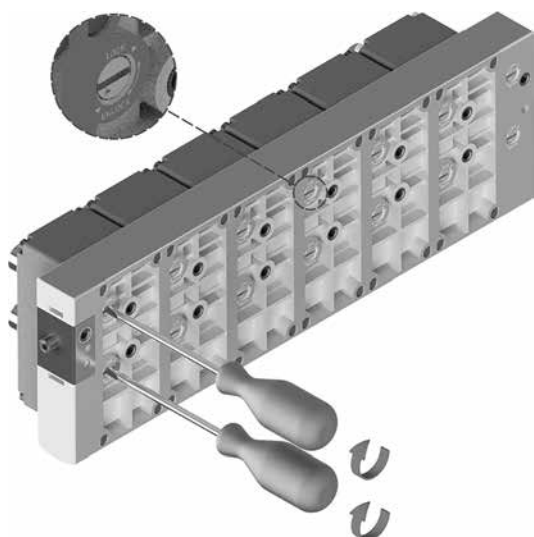
1. Assemble the required modules starting with 3100.KT.03 right endplate kit.



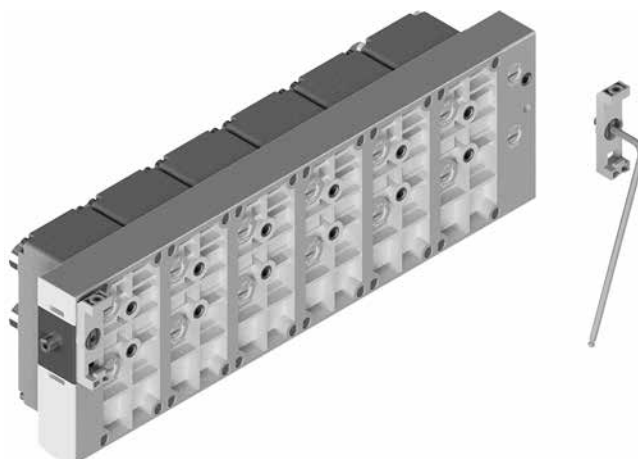
2. Complete the assembly with the 3100.KT.00 left endplate kit.



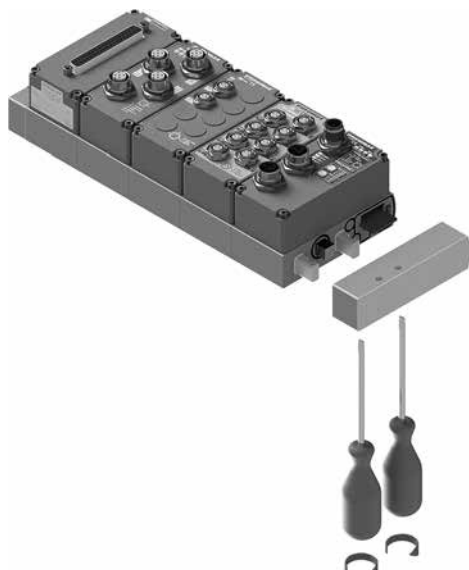
3. To lock: rotate anticlockwise (in the direction of the LOCK print on the case).
To unlock: rotate clockwise (in the direction of the UNLOCK print on the case).
The same procedure shall be used to add or remove any module.



4. If required, assemble the DIN rail adapter using a 3 mm allen key.

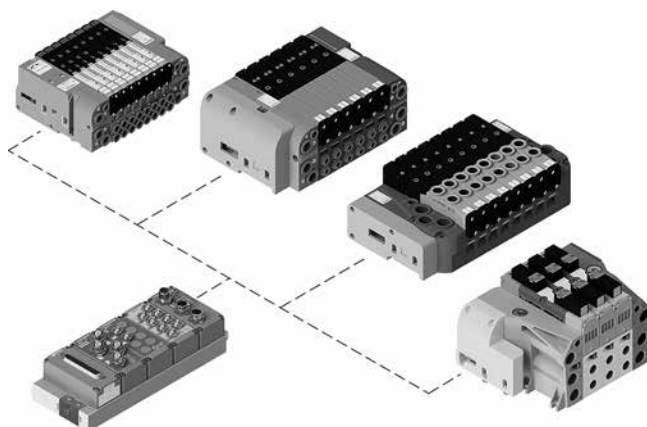


A. For integration with a manifold it is necessary to remove the 3100.KT.03 right endplate kit.



B. Series PX modular electronic system can be integrated with the following valve manifold series:

- Optyma S
- Optyma F
- Optyma T
- 2700



The Series 3000 manifolds already integrates with the PX Series modules with dedicated fixing options.
Please refer to www.pneumaxspa.com for more details.

CANopen® protocol node kit

CANopen® node manages 64 inputs and outputs.

Accessory modules can be connected in whatever order and configuration.

Connection to CANopen® fieldbus is made via two M12, male and female, 5 pins, type A circular connectors, in parallel between them; connectors pinout is compliant to CiA Draft recommendation 303-1 (V. 1.3 : 30 December 2004).

Transmission speed and address, as well as termination resistor activation are set via DIP-switches.

CANopen® node is available in two versions with 32 or 48 outputs allocated to solenoid valves on the manifold directly connected to the node.

Such outputs correspond to least significant bytes and their allocation is independent of how many solenoid valves are installed.

Remaining outputs can be used to control the modules.

Byte allocation to additional modules is fully automatic.

Current limitations

Both stand alone and integrated components must operate within the current limits of the fieldbus node; please note: the solenoid valves are supplied by OUTPUT + 24 V DC (pin 4).

To compute the maximum current on the OUTPUTS + 24 V DC, please use the following formula:

$$I_{24V\ DC\ out} = \sum_{i=1}^n I_{out,i} + m i_{EV}$$

n = number of installed modules
 $I_{out,i}$ = maximum total current absorbed by the i-th module on the OUTPUT + 24 V DC supply rail (please see specifications of the single module)
 m = number of installed solenoid pilots
 i_{EV} = mean absorbed current per solenoid pilot (please see table below)

Series	i_{EV}
2200 "Optyma S"	36 mA
2500 "Optyma F"	54 mA
2500 "Optyma T"	54 mA
2700	24 mA (1 W version) / 100 mA (2,3 W version)

For each fieldbus node, maximum deliverable current by OUTPUTS + 24 V DC supply is 4 A, moreover the sum of the currents on OUTPUTS + 24 V DC and INPUTS + 24 V DC must not exceed 4 A.

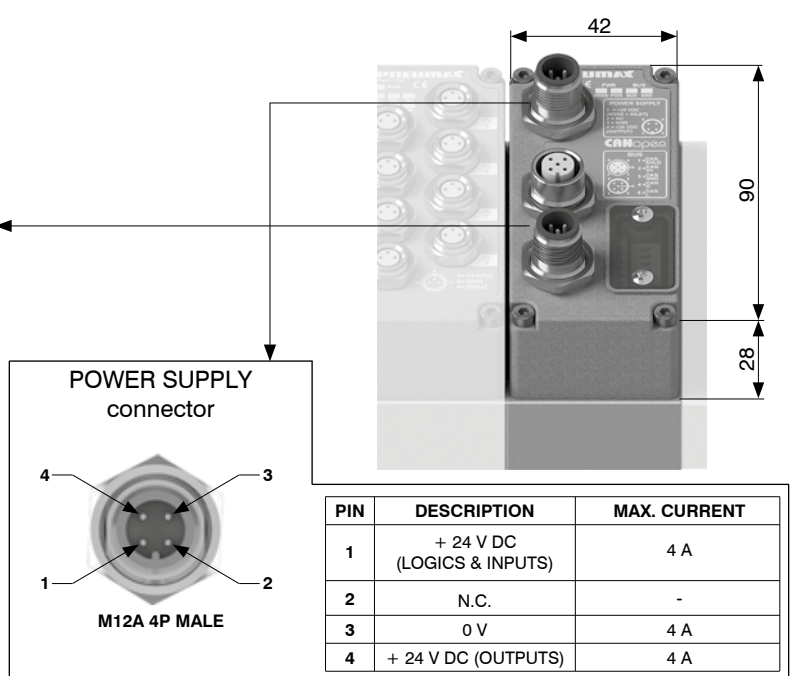
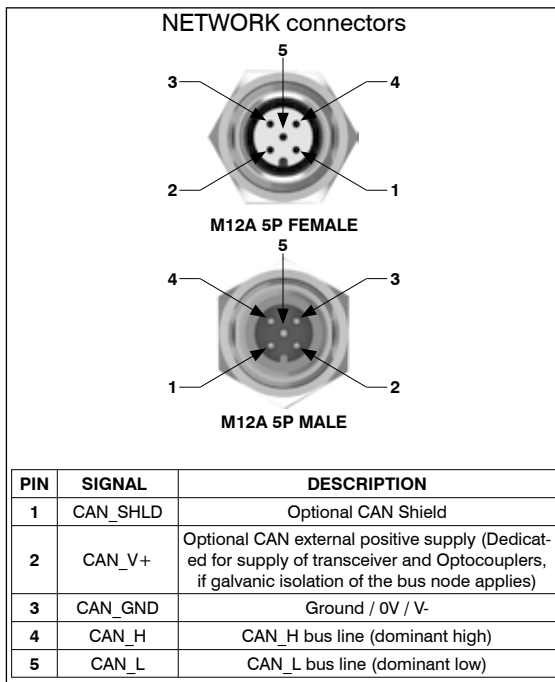
$$I_{24V\ DC\ out} + I_{24V\ DC\ in} < 4A$$

Where:

$$I_{24V\ DC\ in} = \sum_{i=1}^n I_{in,i}$$

n = number of installed modules
 $I_{in,i}$ = Maximum total current absorbed by the i-th module on the INPUTS + 24 V DC supply rail (please see specifications of the single module)

Scheme / Overall dimensions and I/O layout



Coding: K5530.64.VCO

VERSION
V 32 = 32 output bits available for valve connections 48 = 48 output bits available for valve connections



In case total current is more than 4 A, it is mandatory to supply modules exceeding current limit with power supply module K5030.M12.



Technical characteristics

Specifications	CiA Draft Standard Proposal 301 V 4.10 (15 August 2006)	
Case	Reinforced technopolymer	
Power supply	Voltage	+ 24 V DC ± 10%
	Node only current consumption on + 24 V DC inputs	40 mA
	Power supply diagnosis	Green LED PWR / Green LED OUT
Communication	Connection	2 M12 5 pins male-female connectors type A (IEC 60947-5-2)
	Baud rate	10 - 20 - 50 - 125 - 250 - 500 - 800 - 1000 Kbit/s
	Addresses possible numbers	From 1 to 63
	Maximum nodes number in network	64 (slave + master)
	Bus maximum recommended length	100 m at 500 Kbit/s
	Bus diagnosis	Green / red status LED
Configuration file	Available from our web site http://www.pneumaxspa.com	
Protection degree	IP65 when assembled	
Temperature °C	-5 ... +50	

PROFIBUS DP protocol node kit

PROFIBUS DP node manages 64 inputs and outputs.

Accessory modules can be connected in whatever order and configuration.

Connection to PROFIBUS DP fieldbus is made via two M12, male and female, 5 pins, type B circular connectors, in parallel between them; connectors pinout is PROFIBUS Interconnection Technology specifications compliant (Version 1.1, August 2001). Address as well as termination resistor activation are set via DIP-switches.

PROFIBUS DP node is available in two versions with 32 or 48 outputs allocated to solenoid valves on the manifold directly connected to the node.

Such outputs correspond to least significant bytes and their allocation is independent of how many solenoid valves are installed. Remaining outputs can be used to control the modules.

Byte allocation to additional modules is fully automatic.

Current limitations

Both stand alone and integrated components must operate within the current limits of the fieldbus node; please note: the solenoid valves are supplied by OUTPUT + 24 V DC (pin 4).

To compute the maximum current on the OUTPUTS + 24 V DC, please use the following formula:

$$I_{24V\ DC\ out} = \sum_{i=1}^n I_{out,i} + m \cdot i_{EV}$$

n = number of installed modules
 $I_{out,i}$ = maximum total current absorbed by the i-th module on the OUTPUT + 24 V DC supply rail (please see specifications of the single module)
 m = number of installed solenoid pilots
 i_{EV} = mean absorbed current per solenoid pilot (please see table below)

Series	i_{EV}
2200 "Optyma S"	36 mA
2500 "Optyma F"	54 mA
2500 "Optyma T"	54 mA
2700	24 mA (1 W version) / 100 mA (2,3 W version)

For each fieldbus node, maximum deliverable current by OUTPUTS + 24 V DC supply is 4 A, moreover the sum of the currents on OUTPUTS + 24 V DC and INPUTS + 24 V DC must not exceed 4 A.

$$I_{24V\ DC\ out} + I_{24V\ DC\ in} < 4A$$

Where:

$$I_{24V\ DC\ in} = \sum_{i=1}^n I_{in,i}$$

n = number of installed modules
 $I_{in,i}$ = Maximum total current absorbed by the i-th module on the INPUTS + 24 V DC supply rail (please see specifications of the single module)

Coding: K5330.64. PB

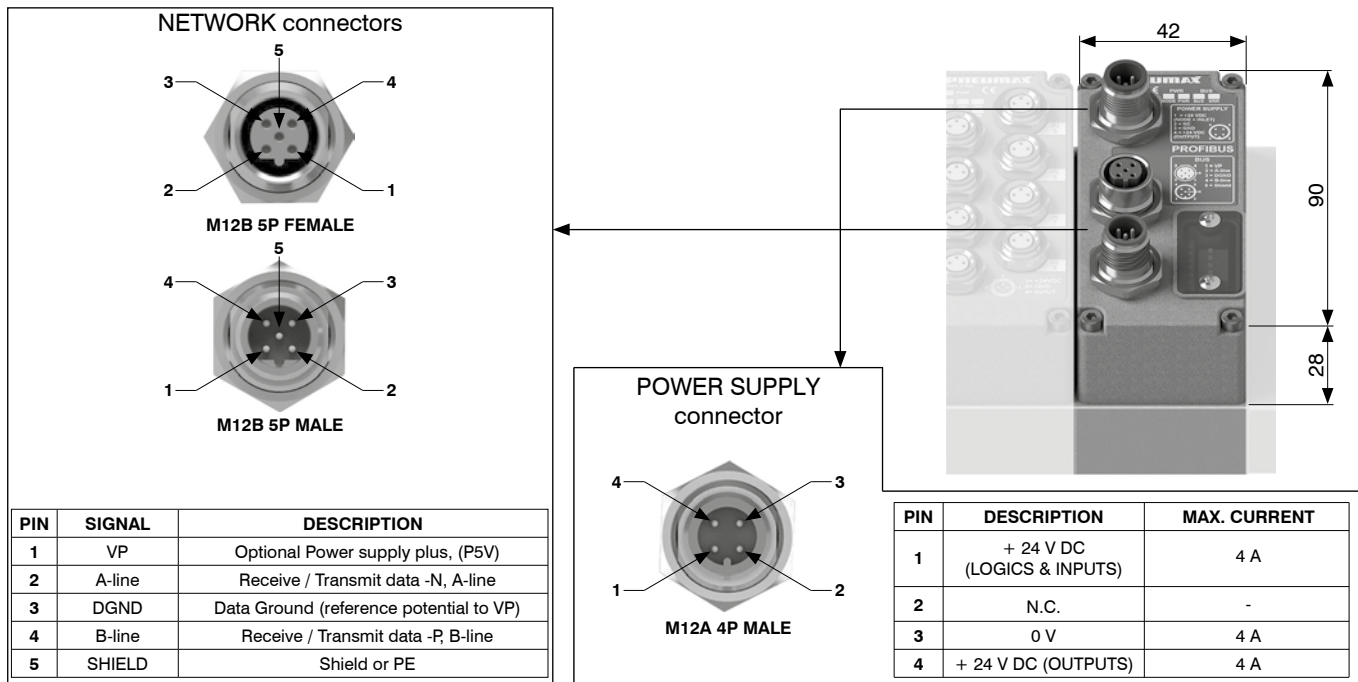
VERSION
32 = 32 output bits available for valve connections
48 = 48 output bits available for valve connections



In case total current is more than 4 A, it is mandatory to supply modules exceeding current limit with power supply module K5030.M12.



Scheme / Overall dimensions and I/O layout



Technical characteristics		
Specifications	PROFIBUS DP	
Case	Reinforced technopolymer	
Power supply	Voltage	+ 24 V DC ± 10%
	Node only current consumption on + 24 VDC inputs	70 mA
	Power supply diagnosis	Green LED PWR / Green LED OUT
Communication	Connection	2 M12 5 pins male-female connectors type B
	Baud rate	9,6 - 19,2 - 93,75 - 187,5 - 500 - 1500 - 3000 - 6000 - 12000 Kbit/s
	Addresses possible numbers	From 1 to 99
	Maximum nodes number in network	100 (slave + master)
	Bus maximum recommended length	100 m at 12 Mbit/s - 1200 m at 9,6 Kbit/s
Configuration file	Green / red status LED	
Protection degree	Available from our web site http://www.pneumaxspa.com	
Temperature °C	IP65 when assembled	
	-5 ... +50	

EtherNet/IP protocol node kit

EtherNet/IP node manages 128 inputs and outputs.

Accessory modules can be connected in whatever order and configuration.

Network connection is made via 2 M12 female, type D, 4 pins, circular connectors.

Code K5730.128.48EI provides first 48 outputs, corresponding to least significant 6 bytes, are allocated to the solenoid valve positions, regardless how many they are and how many valves are installed on the manifold directly connected to the node.

Remaining 80 outputs can be used to manage output modules; bytes allocation to additional modules is fully automatic.

Coding: K5730.128.48EI

Current limitations

Both stand alone and integrated components must operate within the current limits of the fieldbus node; please note: the solenoid valves are supplied by OUTPUT + 24 V DC (pin 4).

To compute the maximum current on the OUTPUTS + 24 V DC, please use the following formula:

$$I_{24V\ DC\ out} = \sum_{i=1}^n I_{out,i} + m i_{EV}$$

n = number of installed modules
 $I_{out,i}$ = maximum total current absorbed by the i-th module on the OUTPUT + 24 V DC supply rail (please see specifications of the single module)
 m = number of installed solenoid pilots
 i_{EV} = mean absorbed current per solenoid pilot (please see table below)

Series	i_{EV}
2200 "Optyma S"	36 mA
2500 "Optyma F"	54 mA
2500 "Optyma T"	54 mA
2700	24 mA (1 W version) / 100 mA (2,3 W version)

For each fieldbus node, maximum deliverable current by OUTPUTS + 24 V DC supply is 4 A, moreover the sum of the currents on OUTPUTS + 24 V DC and INPUTS + 24 V DC must not exceed 4 A.

$$I_{24V\ DC\ out} + I_{24V\ DC\ in} < 4A$$

Where:

$$I_{24V\ DC\ in} = \sum_{i=1}^n I_{in,i}$$

n = number of installed modules
 $I_{in,i}$ = Maximum total current absorbed by the i-th module on the INPUTS + 24 V DC supply rail (please see specifications of the single module)

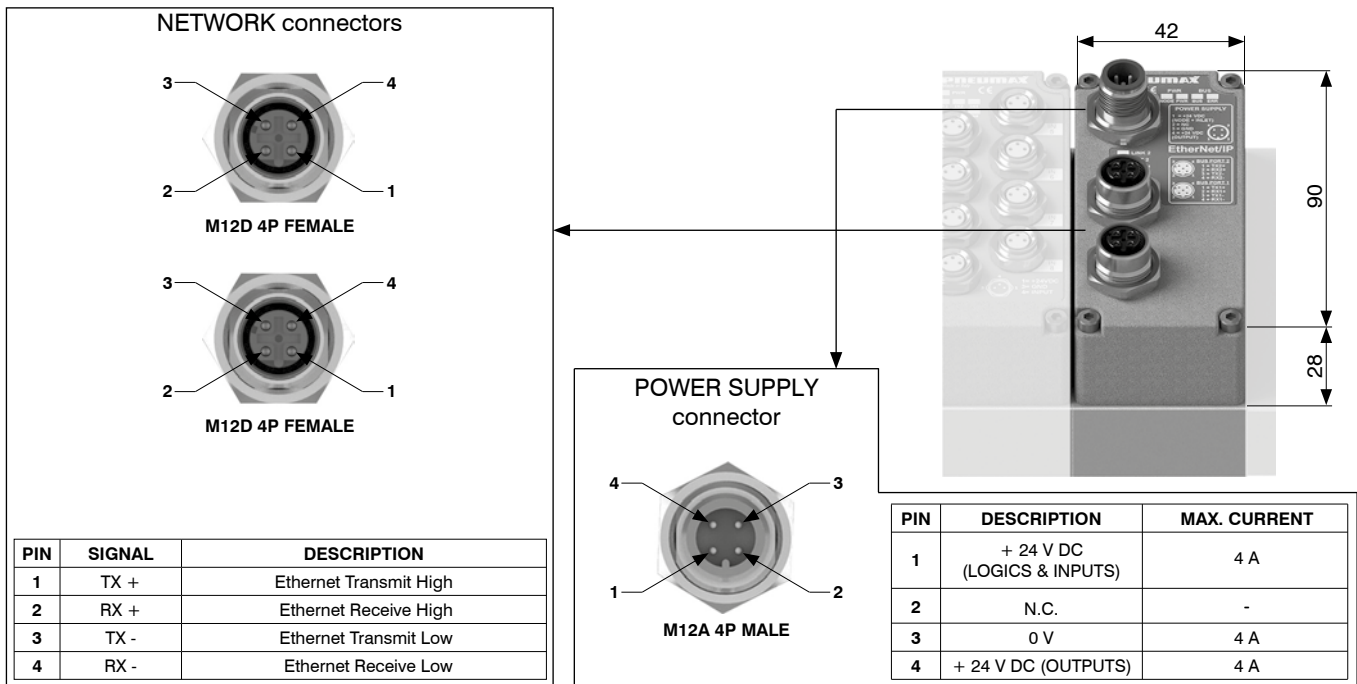


AIR DISTRIBUTION

In case total current is more than 4 A, it is mandatory to supply modules exceeding current limit with power supply module K5030.M12.



Scheme / Overall dimensions and I/O layout



Technical characteristics

Case	Reinforced technopolymer	
Power supply	Voltage	+ 24 V DC ± 10%
	Node only current consumption on + 24 V DC inputs	65 mA
	Power supply diagnosis	Green LED PWR / Green LED OUT
Communication	Connection	2 M12 4 pins male-female connectors type D (IEC 61076-2-101)
	Baud rate	100 Mbit/s
	Maximum distance between 2 nodes	100 m
	Bus diagnosis	Green / red status LED
Configuration file	Available from our web site http://www.pneumaxspa.com	
Protection degree	IP65 when assembled	
Temperature °C	-5 ... +50	

EtherCAT® protocol node kit

EtherCAT® node manages 128 inputs and outputs.
Accessory modules can be connected in whatever order and configuration.
Network connection is made via 2 M12 female, type D, 4 pins, circular connectors.
Code K5730.128.48EC provides first 48 outputs, corresponding to least significant 6 bytes, are allocated to the solenoid valve positions, regardless how many they are and how many valves are installed on the manifold directly connected to the node.
Remaining 80 outputs can be used to manage output modules; bytes allocation to additional modules is fully automatic.

Coding: K5730.128.48EC



AIR DISTRIBUTION

Current limitations

Both stand alone and integrated components must operate within the current limits of the fieldbus node; please note: the solenoid valves are supplied by OUTPUT + 24 V DC (pin 4).

To compute the maximum current on the OUTPUTS + 24 V DC, please use the following formula:

$$I_{24V\ DC\ out} = \sum_{i=1}^n I_{out,i} + m \cdot i_{EV}$$

n = number of installed modules
 $I_{out,i}$ = maximum total current absorbed by the i-th module on the OUTPUT + 24 V DC supply rail (please see specifications of the single module)
 m = number of installed solenoid pilots
 i_{EV} = mean absorbed current per solenoid pilot (please see table below)

Series	i_{EV}
2200 *Optyma S*	36 mA
2500 *Optyma F*	54 mA
2500 *Optyma T*	54 mA
2700	24 mA (1 W version) / 100 mA (2,3 W version)

For each fieldbus node, maximum deliverable current by OUTPUTS + 24 V DC supply is 4 A, moreover the sum of the currents on OUTPUTS + 24 V DC and INPUTS + 24 V DC must not exceed 4 A.

$$I_{24V\ DC\ out} + I_{24V\ DC\ in} < 4A$$

Where:

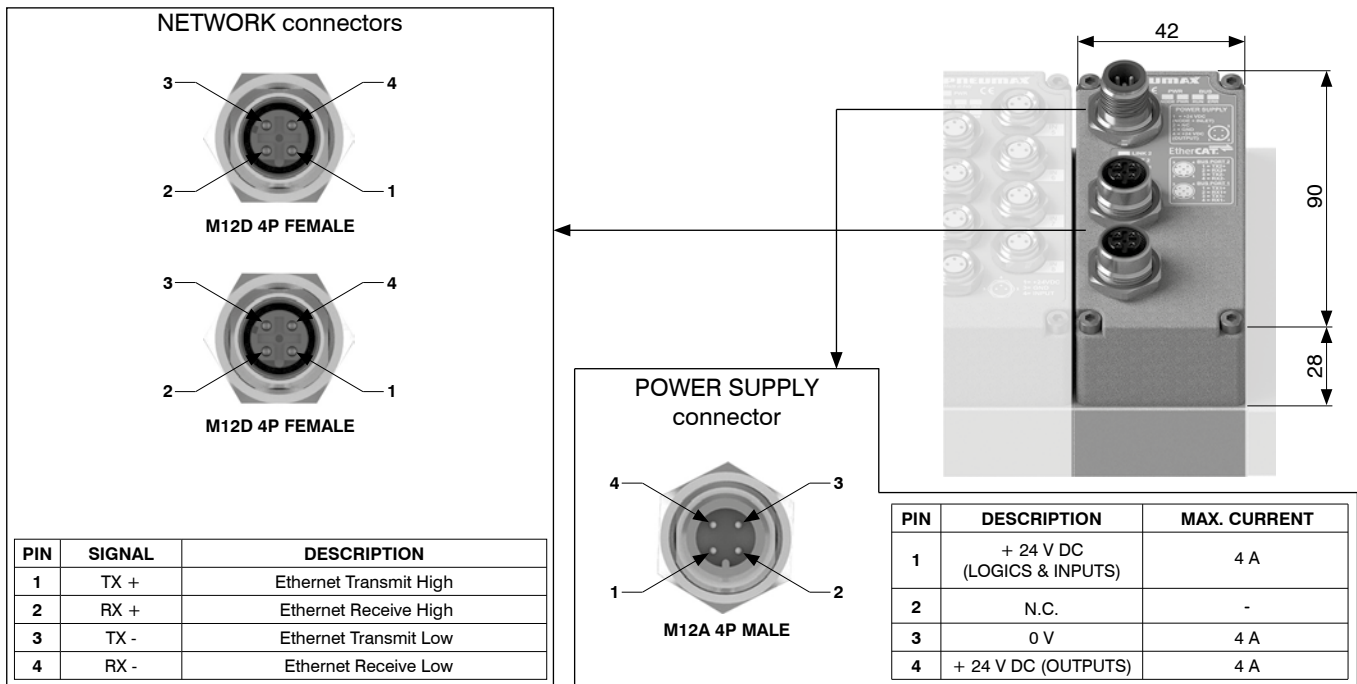
$$I_{24V\ DC\ in} = \sum_{i=1}^n I_{in,i}$$

n = number of installed modules
 $I_{in,i}$ = Maximum total current absorbed by the i-th module on the INPUTS + 24 V DC supply rail (please see specifications of the single module)



In case total current is more than 4 A, it is mandatory to supply modules exceeding current limit with power supply module K5030.M12.

Scheme / Overall dimensions and I/O layout



Technical characteristics		
Case		Reinforced technopolymer
Power supply	Voltage	+ 24 V DC ± 10%
	Node only current consumption on + 24 V DC inputs	65 mA
	Power supply diagnosis	Green LED PWR / Green LED OUT
Communication	Connection	2 M12 4 pins male-female connectors type D (IEC 61076-2-101)
	Baud rate	100 Mbit/s
	Maximum distance between 2 nodes	100 m
	Bus diagnosis	Green / red status LED
Configuration file		Available from our web site http://www.pneumaxspa.com
Protection degree		IP65 when assembled
Temperature °C		-5 ... +50

PROFINET IO RT protocol node kit

PROFINET IO RT node manages 128 inputs and outputs.

Accessory modules can be connected in whatever order and configuration.

Network connection is made via 2 M12 female, type D, 4 pins, circular connectors.

Code K5730.128.48PN provides first 48 outputs, corresponding to least significant 6 bytes, are allocated to the solenoid valve positions, regardless how many they are and how many valves are installed on the manifold directly connected to the node.

Remaining 80 outputs can be used to manage output modules; bytes allocation to additional modules is fully automatic.

Coding: K5730.128.48PN

Current limitations

Both stand alone and integrated components must operate within the current limits of the fieldbus node; please note: the solenoid valves are supplied by OUTPUT + 24 V DC (pin 4).

To compute the maximum current on the OUTPUTS + 24 V DC, please use the following formula:

$$I_{24V\ DC\ out} = \sum_{i=1}^n I_{out,i} + m i_{EV}$$

n = number of installed modules
 $I_{out,i}$ = maximum total current absorbed by the i -th module on the OUTPUT + 24 V DC supply rail (please see specifications of the single module)
 m = number of installed solenoid pilots
 i_{EV} = mean absorbed current per solenoid pilot (please see table below)

Series	i_{EV}
2200 "Optyma S"	36 mA
2500 "Optyma F"	54 mA
2500 "Optyma T"	54 mA
2700	24 mA (1 W version) / 100 mA (2,3 W version)

For each fieldbus node, maximum deliverable current by OUTPUTS + 24 V DC supply is 4 A, moreover the sum of the currents on OUTPUTS + 24 V DC and INPUTS + 24 V DC must not exceed 4 A.

$$I_{24V\ DC\ out} + I_{24V\ DC\ in} < 4A$$

Where:

$$I_{24V\ DC\ in} = \sum_{i=1}^n I_{in,i}$$

n = number of installed modules
 $I_{in,i}$ = Maximum total current absorbed by the i -th module on the INPUTS + 24 V DC supply rail (please see specifications of the single module)

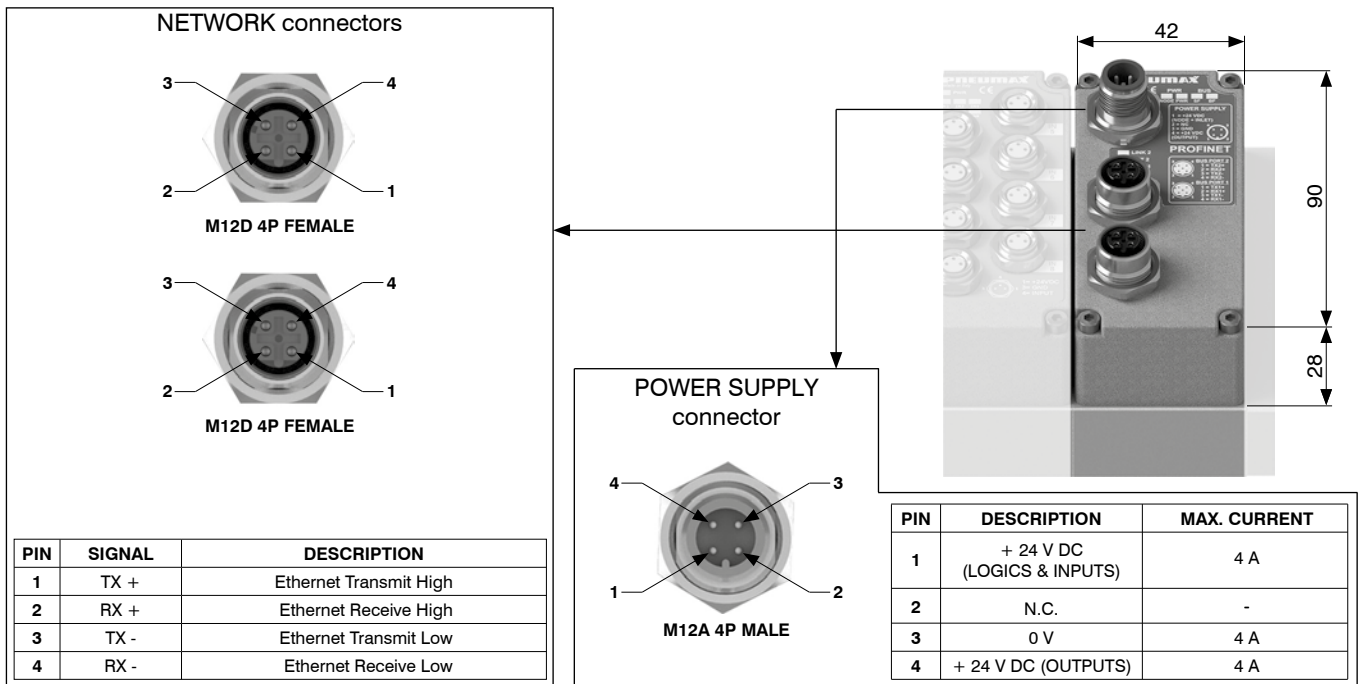


AIR DISTRIBUTION

In case total current is more than 4 A, it is mandatory to supply modules exceeding current limit with power supply module K5030.M12.



Scheme / Overall dimensions and I/O layout



Technical characteristics		
Case		Reinforced technopolymer
Power supply	Voltage	+ 24 V DC ± 10%
	Node only current consumption on + 24 V DC inputs	65 mA
	Power supply diagnosis	Green LED PWR / Green LED OUT
Communication	Connection	2 M12 4 pins male-female connectors type D (IEC 61076-2-101)
	Baud rate	100 Mbit/s
	Maximum distance between 2 nodes	100 m
	Bus diagnosis	Green / red status LED
Configuration file		Available from our web site http://www.pneumaxspa.com
Protection degree		IP65 when assembled
Temperature °C		-5 ... +50

IO-Link protocol interface kit

IO-Link interface manages 64 inputs and outputs.
Accessory modules can be connected in whatever order and configuration.
Electric power supply and IO-Link connection to the Master are made via M12, male, 5 pins, type A, circular connector, "CLASS B", according to IO-Link specifications.
Electric rails L+/L- supply interface only, while P24/N24 rails supply additional modules and solenoid valves.
Either power supplies are galvanically isolated in the IO-Link interfaces.
IO-Link interface is available in two versions with 32 or 48 outputs allocated to solenoid valves on the manifold directly connected to the node.
Such outputs correspond to least significant bytes and their allocation is independent of how many solenoid valves are installed.
Remaining outputs can be used to control the modules.
Byte allocation to additional modules is fully automatic.

Current limitations

Both stand alone and integrated components must operate within the current limits of the fieldbus node; please note: the solenoid valves are supplied by pin 2 and pin 5 (P24 / N24).

To compute the maximum current on the P24 / N24 supply, please use the following formula::

$$I_{P24/N24} = \sum_{i=1}^n (I_{out,i} + I_{in,i}) + m \cdot i_{EV}$$

n = number of installed modules
 $I_{out,i}$ = maximum total current absorbed by the i-th module on the OUTPUT + 24 V DC supply rail (please see specifications of the single module)
 $I_{in,i}$ = Maximum total current absorbed by the i-th module on the INPUTS + 24 V DC supply rail (please see specifications of the single module)
 m = number of installed solenoid pilots
 i_{EV} = mean absorbed current per solenoid pilot (please see table below)

Series	i_EV
2200 "Optyma S"	36 mA
2500 "Optyma F"	54 mA
2500 "Optyma T"	54 mA
2700	24 mA (1 W version) / 100 mA (2,3 W version)

= Maximum total current absorbed by the i-th module on the INPUTS + 24 V DC supply rail (please see specifications of the single module)

! In case total current is more than 4 A, it is mandatory to supply modules exceeding current limit with power supply module K5030.M12.

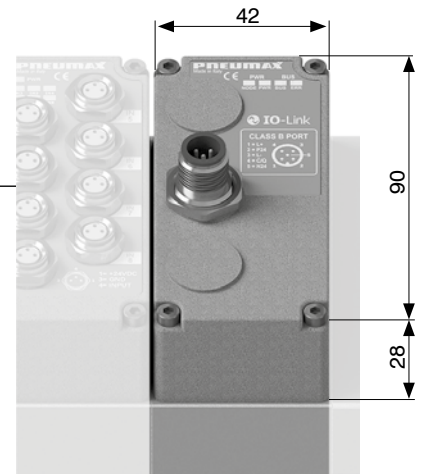
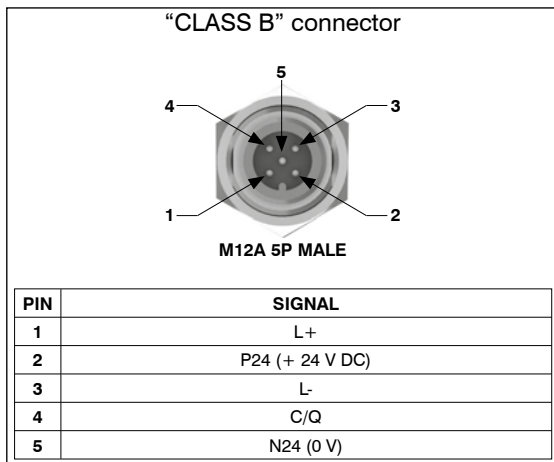
Coding: K5830.64.01K

VERSION
32 = 32 output bits available for valve connections
48 = 48 output bits available for valve connections



AIR DISTRIBUTION

Scheme / Overall dimensions and I/O layout



Technical characteristics		
Specifications	IO-Link Specification v1.1	
Case	Reinforced technopolymer	
Power supply	Voltage	+ 24 V DC +/- 10%
	Interface current consumption on + 24 V DC (L+ / L-)	25 mA
	Power supply diagnosis	Green LED PWR / Green LED OUT
Communication	Connection	"Class B" port
	Communication speed	38.4 kbaud/s
	Maximum distance from Master	20 m
	Bus diagnosis	Green / red status LED
	Vendor ID / Device ID	1257 (hex 0x04E9) / 3000 (hex 0x0BB8)
Configurations file IODD	Available from our web site http://www.pneumaxspa.com	
Protection degree	IP65 when assembled	
Temperature °C	-5 ... +50	

8 digital inputs module kit M8

M8 digital inputs module provides 8 M8, 3 pins, female connectors.
Inputs have PNP logic, + 24 V DC \pm 10%.

It is possible to connect 2 wires devices (e.g. switches, magnetic limit switches, pressure switches, etc.) as well as 3 wires devices (e.g. proximity sensors, photocells, electronic magnetic limit switches, etc.).

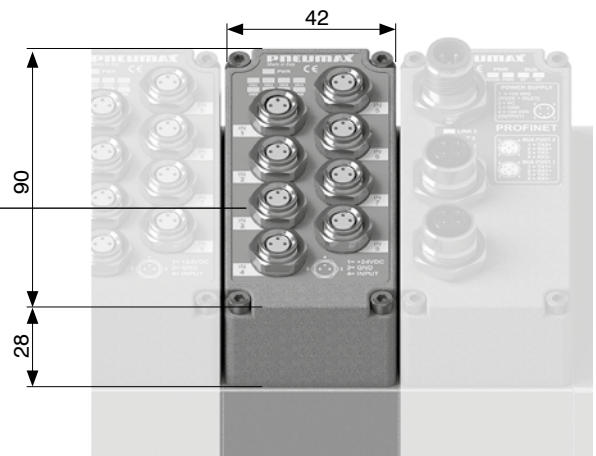
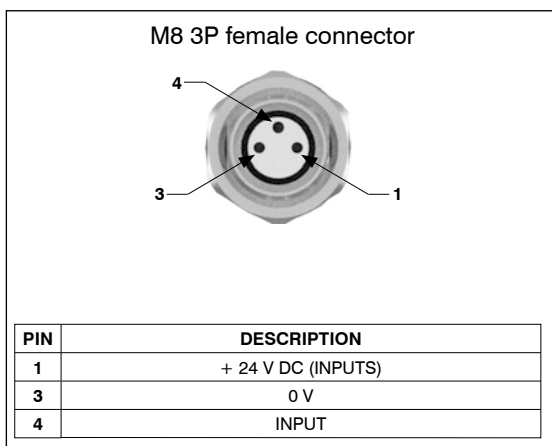
Inputs module power supply is provided by + 24 V DC power input on the serial system (type A, 4 pin M12 power connector, pin 1) or by K5030.M12 additional power supply module, in case it were installed upstream of the inputs module.

Coding: K5230.08.M8



Technical characteristics	
Maximum current per module	300 mA
Protection	Overcurrent (auto-resettable fuse) Reverse polarity
Input impedance	3 k Ω
Maximum cable length	< 30 m
Input data allocation	8 bit
INPUTS + 24 V DC current consumption of the module only	5 mA

Scheme / Overall dimensions and I/O layout



AIR DISTRIBUTION

8 digital inputs module kit M12

M12 digital inputs module provides 4 M12, 5 pins, female connectors.
Inputs have PNP logic, + 24 V DC \pm 10%.

Every connector takes two input channels.

It is possible to connect 2 wires devices (e.g. switches, magnetic limit switches, pressure switches, etc.) as well as 3 wires devices (e.g. proximity sensors, photocells, electronic magnetic limit switches, etc.).

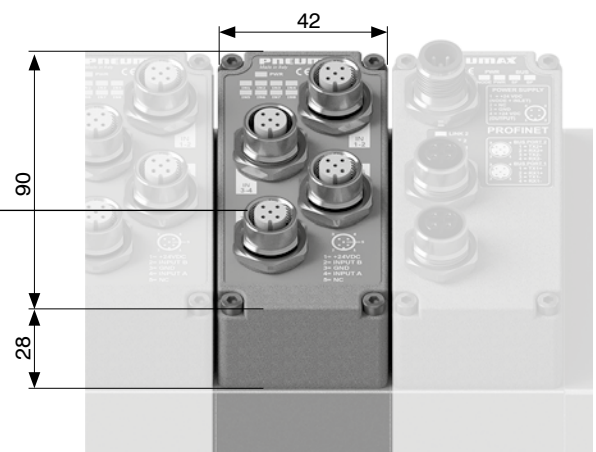
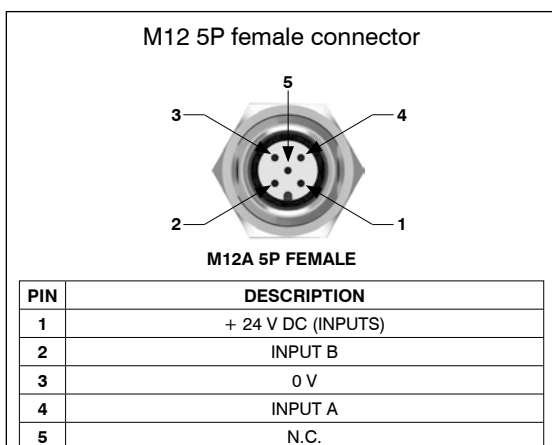
Inputs module power supply is provided by + 24 V DC power input on the serial system (type A, 4 pin M12 power connector, pin 1) or by K5030.M12 additional power supply module, in case it were installed upstream of the inputs module.

Coding: K5230.08.M12



Technical characteristics	
Maximum current per module	300 mA
Protection	Overcurrent (auto-resettable fuse) Reverse polarity
Input impedance	3k Ω
Maximum cable length	< 30 m
Input data allocation	8 bit
INPUTS + 24 V DC current consumption of the module only	5 mA

Scheme / Overall dimensions and I/O layout



8 digital outputs module kit M8

M8 digital inputs module provides 8 M8, 3 pins, female connectors.

Outputs have PNP logic, + 24 V DC \pm 10%.

Outputs module power supply is provided by + 24 V DC power input on the serial system (type A, 4 pins M12 power connector, pin 4) or by K5030.M12 additional power supply module, in case it were installed upstream of the outputs module.

Power supply presence is displayed by "PWR OUT" green LED light-on.

Each output has a LED indicator associated which lights up when output's signal status is high.

Coding: K5130.08.M8

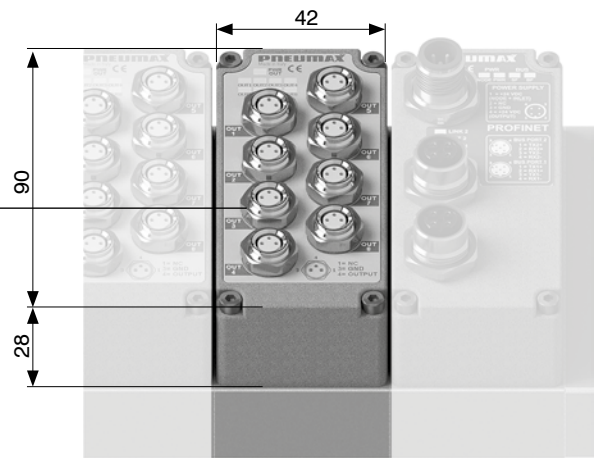
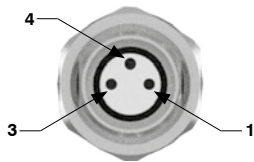


Technical characteristics

Maximum current per output	100 mA
Protection	Short circuit (electronic), trigger at 2.8A
Maximum cable length	< 30 m
Output data allocation	8 bit
OUTPUTS + 24 V DC current consumption of the module only	15 mA

Scheme / Overall dimensions and I/O layout

M8 3P female connector



PIN	DESCRIPTION
1	N.C.
3	0 V
4	OUTPUT

8 digital outputs module kit M12

M12 digital inputs module provides 4 M12, 5 pins, female connectors.

Outputs have PNP logic, + 24 V DC \pm 10%.

Outputs module power supply is provided by + 24 V DC power input on the serial system (type A, 4 pins M12 power connector, pin 4) or by K5030.M12 additional power supply module, in case it were installed upstream of the outputs module.

Power supply presence is displayed by "PWR OUT" green LED light-on.

Each output has a LED indicator associated which lights up when output's signal status is high.

Coding: K5130.08.M12

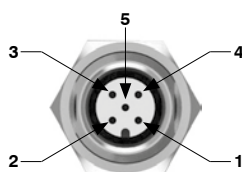


Technical characteristics

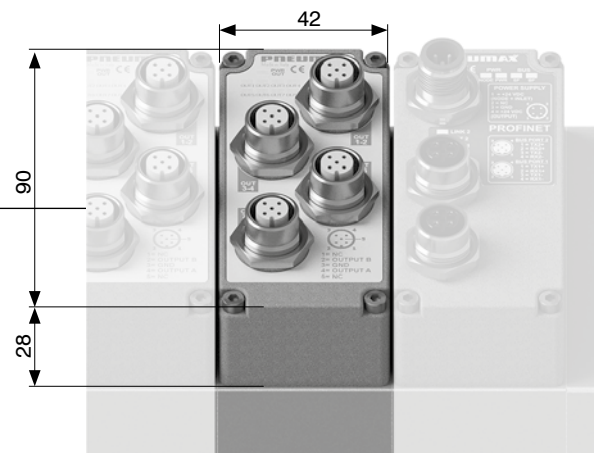
Maximum current per output	100 mA
Protection	Short circuit (electronic), trigger at 2.8A
Maximum cable length	< 30 m
Output data allocation	8 bit
OUTPUTS + 24 V DC current consumption of the module only	15 mA

Scheme / Overall dimensions and I/O layout

M12 5P female connector



M12A 5P FEMALE



PIN	DESCRIPTION
1	N.C.
2	OUTPUT B
3	0 V
4	OUTPUT A
5	N.C.

32 digital inputs module kit (37 pins SUB-D connector)

The module provides a SUB-D 37 pins female connector.

Inputs have PNP logic, + 24 V DC \pm 10%.

It is possible to connect 2 wires devices (e.g. switches, magnetic limit switches, pressure switches, etc.) as well as 3 wires devices (e.g. proximity sensors, photocells, electronic magnetic limit switches, etc.).

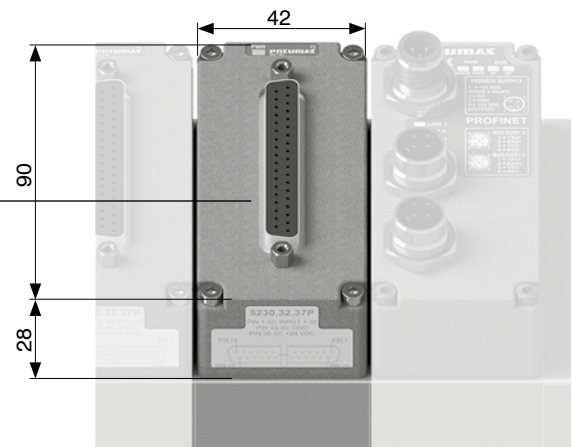
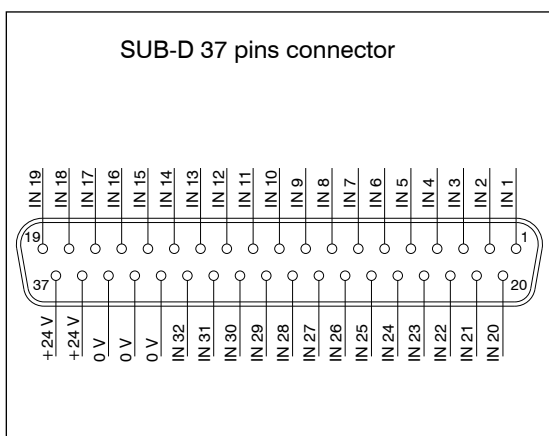
Inputs module power supply is provided by + 24 V DC power input on the serial system (type A, 4 pin M12 power connector, pin 1) or by K5030.M12 additional power supply module, in case it were installed upstream of the inputs module.

Coding: K5230.32.37P



Technical characteristics	
Maximum current per module	1 A
Protection	Overcurrent (auto-resettable fuse) Reverse polarity
Input impedance	3 k Ω
Maximum cable length	< 30 m
Input data allocation	32 bit
INPUTS + 24 V DC current consumption of the module only	10 mA

Scheme / Overall dimensions and I/O layout



AIR DISTRIBUTION

32 digital outputs module kit (37 pins SUB-D connector)

The module provides a SUB-D 37 pins female connector.

Outputs have PNP logic, + 24 V DC \pm 10%.

Outputs module power supply is provided by + 24 V DC power input on the serial system (type A, 4 pins M12 power connector, pin 4) or by K5030.M12 additional power supply module, in case it were installed upstream of the outputs module.

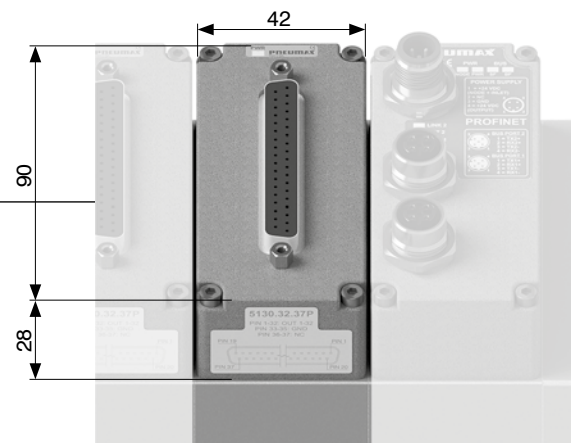
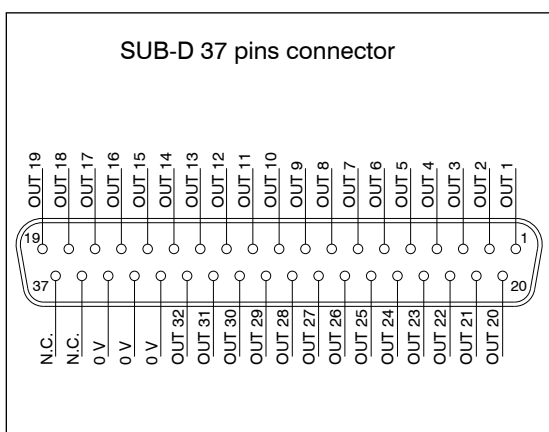
Power supply presence is displayed by "PWR OUT" green LED light-on.

Coding: K5130.32.37P



Technical characteristics	
Maximum current per output	100 mA
Protection	Short circuit (electronic), trigger at 2.8A
Maximum cable length	< 30 m
Output data allocation	32 bit
OUTPUTS + 24 V DC current consumption of the module only	15 mA

Scheme / Overall dimensions and I/O layout



Analogue inputs module kit M8

M8 analogue inputs module converts analogue signals into digital signals and transfers acquired data to field bus, via network node.

Inputs module power supply is provided by + 24 V DC power input on the serial system (type A, 4 pin M12 power connector, pin 1) or by K5030.M12 additional power supply module, in case it were installed upstream of the inputs module.

Coding: K5230. **C** **S**

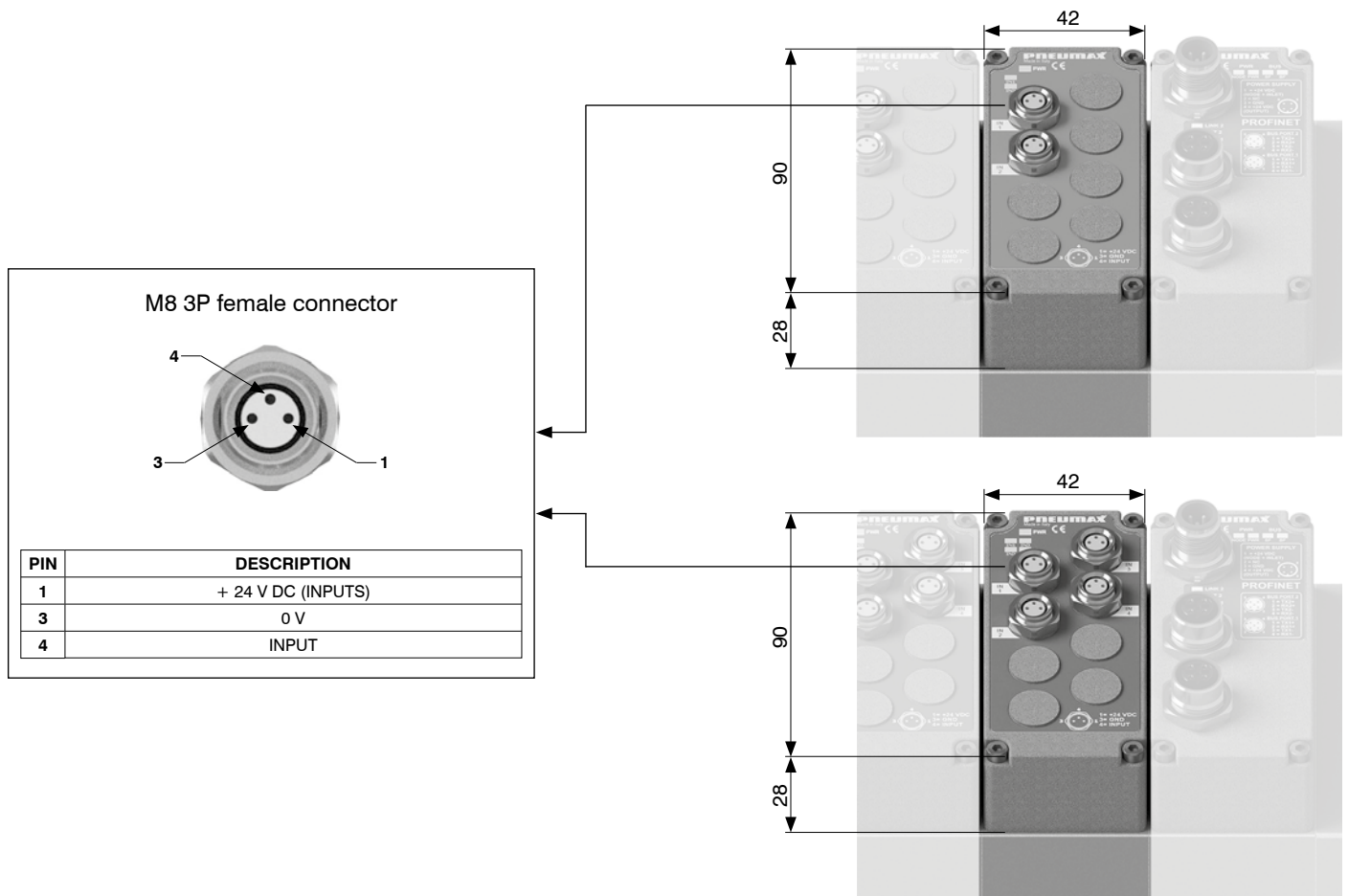
	CHANNELS
C	2 = 2 channels 4 = 4 channels
	SIGNAL
S	T.00 = VOLTAGE (0-10 V) T.01 = VOLTAGE (0-5 V) C.00 = CURRENT (4-20 mA) C.01 = CURRENT (0-20 mA)

Technical characteristics	
Protection (pin 1)	Overcurrent (auto-resettable fuse)
Input impedance (voltage inputs)	33 kΩ
Digital conversion resolution	12 bit
Maximum cable length	< 30 m
Input data allocation	16 bit per channel
Diagnostic LED	Input signal overcurrent or overvoltage
Accuracy	0,3% F.S.
Overall maximum current 2 channels (pin 1)	300 mA
Overall maximum current 4 channels (pin 1)	750 mA (375 mA for each pair of channels)
INPUTS + 24 V DC current consumption of the module only	15 mA



AIR DISTRIBUTION

Scheme / Overall dimensions and I/O layout



Analogue outputs module kit M8

M8 analogue outputs module converts output data, received from field bus via network node, into analogue signal. Outputs module power supply is provided by + 24 V DC power input on the serial system (type A, 4 pins M12 power connector, pin 4) or by K5030.M12 additional power supply module, in case it were installed upstream of the outputs module.

Coding: K5130.CS

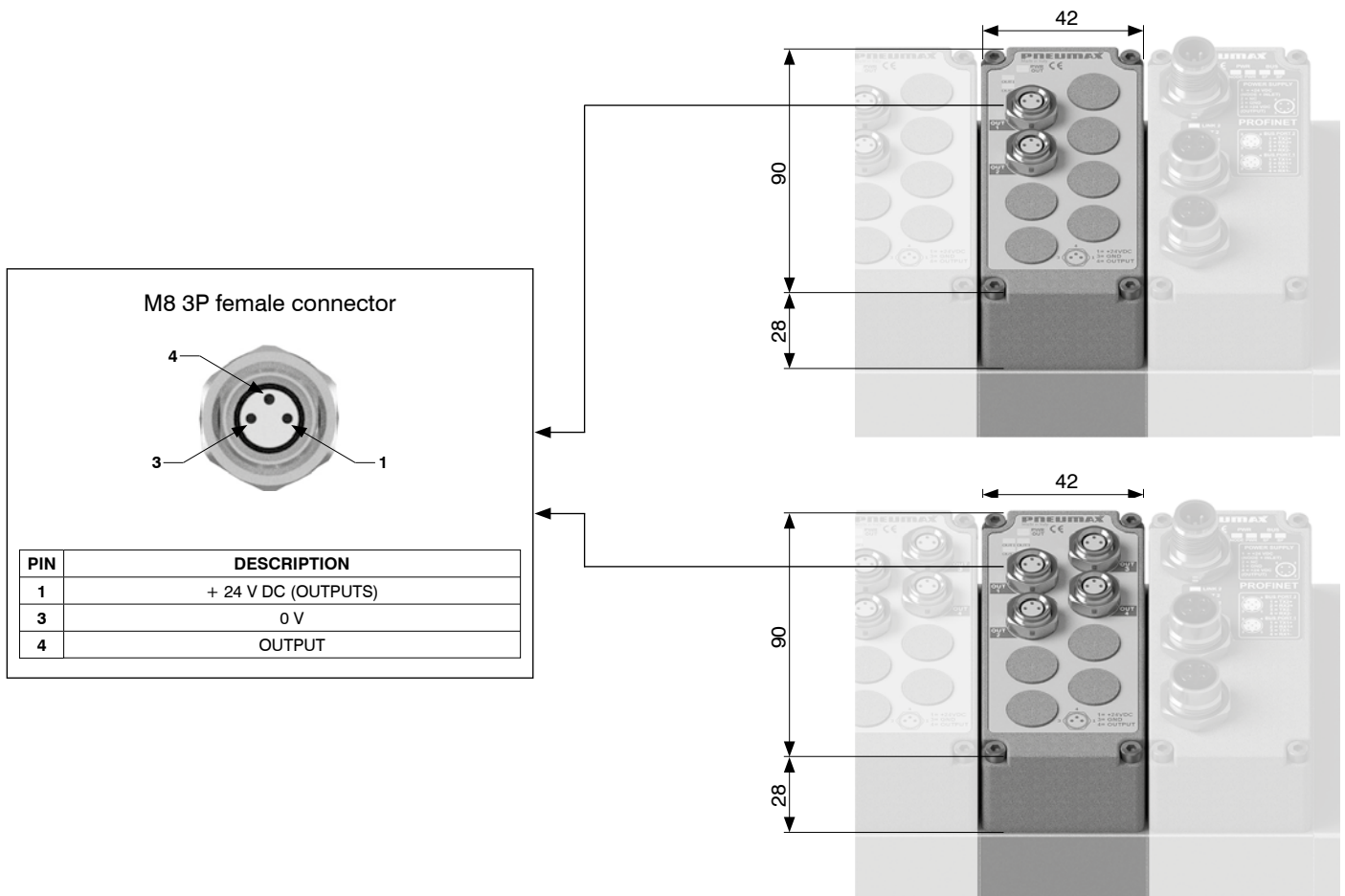
Technical characteristics	
Protection (pin 1)	Overcurrent (auto-resettable fuse)
Protection (pin 4)	Overcurrent (auto-resettable fuse)
Digital conversion resolution	12 bit
Maximum cable length	< 30 m
Output data allocation	16 bit per channel
Diagnostic LED	Output signal overcurrent
Accuracy	0,3% F.S.
Overall maximum current 2 channels (pin 1)	1 A
Overall maximum current 4 channels (pin 1)	2 A (1 A for each pair of channels)
INPUTS + 24 V DC current consumption of the module only	15 mA
OUTPUTS + 24 V DC current consumption of the module only (2 channels)	35 mA
OUTPUTS + 24 V DC current consumption of the module only (4 channels)	70 mA

CHANNELS	
C	2 = 2 channels 4 = 4 channels
SIGNAL	
T.00	= VOLTAGE (0-10 V)
T.01	= VOLTAGE (0-5 V)
C.00	= CURRENT (4-20 mA)
C.01	= CURRENT (0-20 mA)



AIR DISTRIBUTION

Scheme / Overall dimensions and I/O layout





Pt100 inputs module kit

Pt100 inputs module digitizes signals from Pt100 probes and transfers acquired data to field bus, via network node. It is possible to connect two, three or four wires probes. Inputs module power supply is provided by + 24 V DC power input on the serial system (type A, 4 pin M12 power connector, pin 1) or by K5030.M12 additional power supply module, in case it were installed upstream of the inputs module.

Coding: K5230. **C**P.0**T**

	CHANNELS
C	2 = 2 channels 4 = 4 channels
	TYPE
T	0 = Pt100 2 wires 1 = Pt100 3 wires 2 = Pt100 4 wires

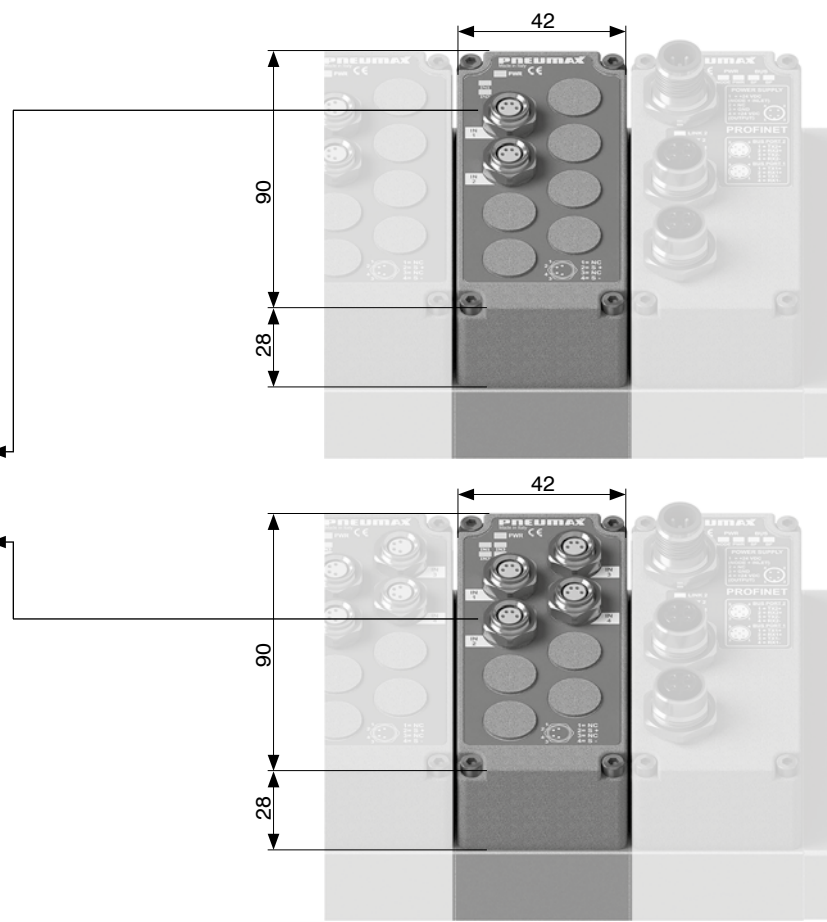
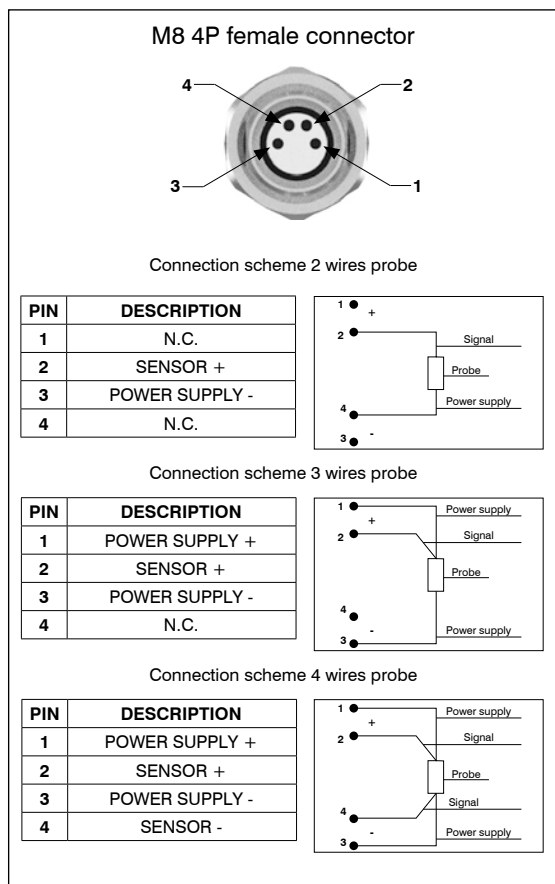
Technical characteristics	
Digital conversion resolution	12 bit
Maximum cable length	< 30 m
Input data allocation	16 bit per channel
Diagnostic LED	Probe presence Temperature out of range
Accuracy	±0,2°C
Probe temperature range	-100°C ... +300°C
INPUTS + 24 V DC current consumption of the module only (2 channels)	25 mA
INPUTS + 24 V DC current consumption of the module only (4 channels)	35 mA

Conversion formula (°C)

$$\text{Temperature (°C)} = \left(\frac{\text{Points} \times 400}{4095} \right) - 100$$



Scheme / Overall dimensions and I/O layout



▶ Additional power supply module kit

Additional power supply module supplies additional electric power for downstream optional modules, where "downstream" means farther from serial node, **resetting the current limits of the network node / IO-Link interface.**

Electric connection of the module to external power supply unit occurs via an M12 4 pins type A male connector.

M12 connector has two different pins to power up logics and inputs (Pin 1) and outputs (Pin 4).

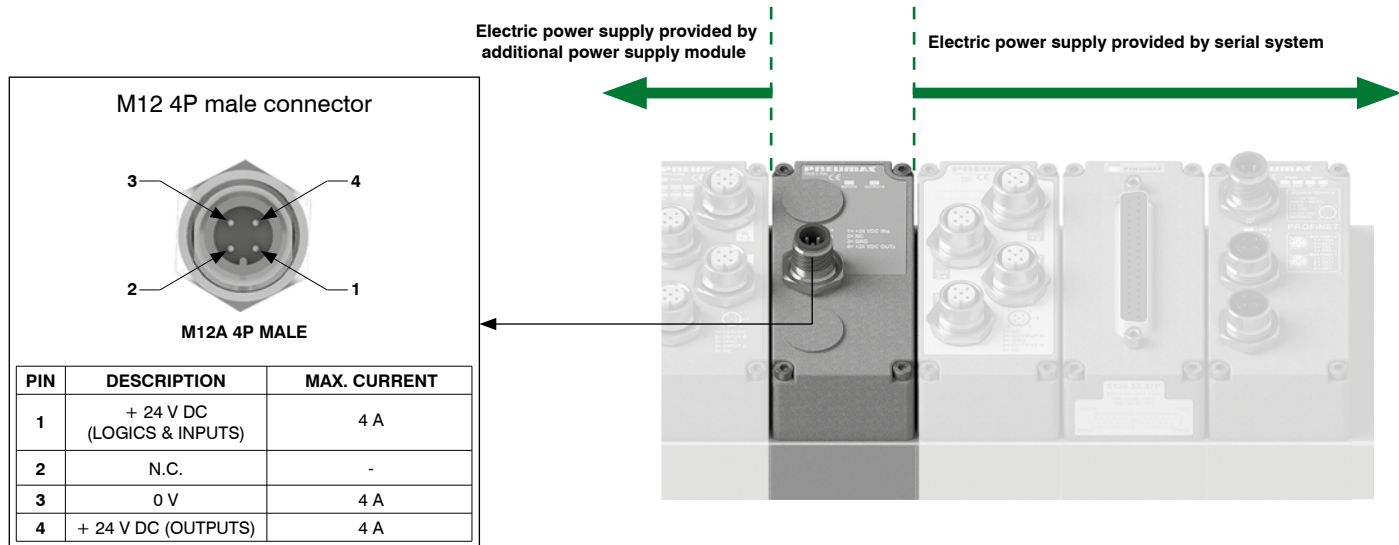
Presence of each power supply rail is indicated by corresponding green LED.

When using IO-Link interface, the additional power supply module is useful for separating the module power supplies of input from the output modules placed downstream.

Coding: K5030.M12



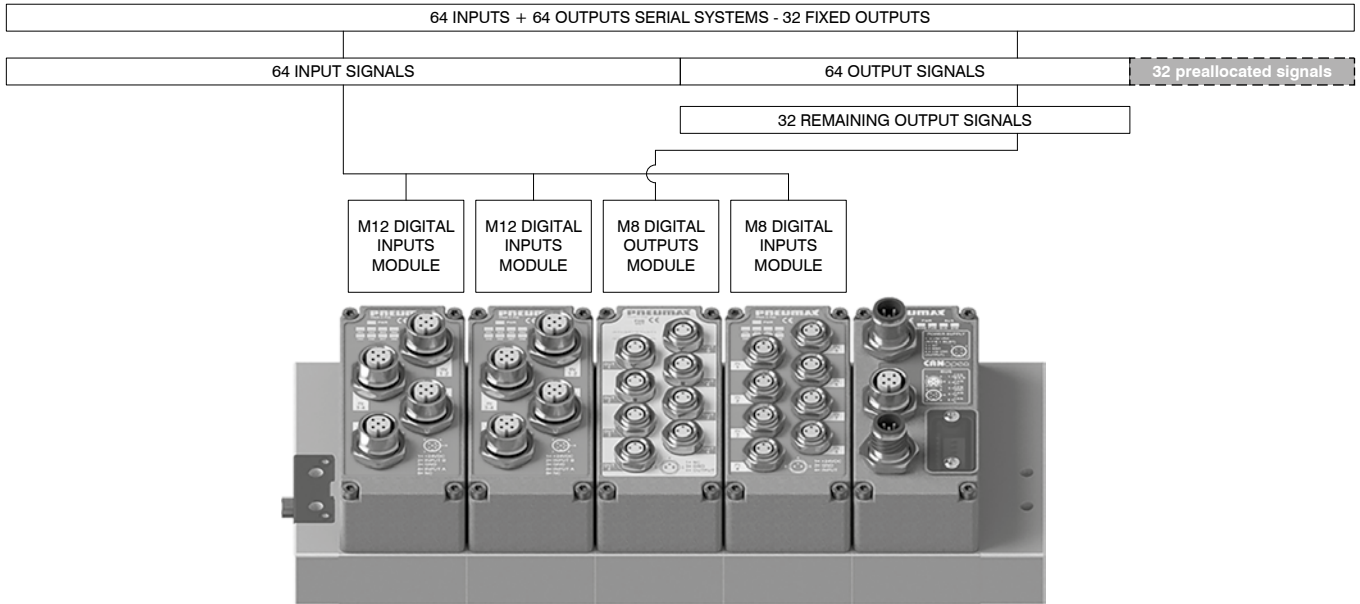
Scheme / Overall dimensions and I/O layout





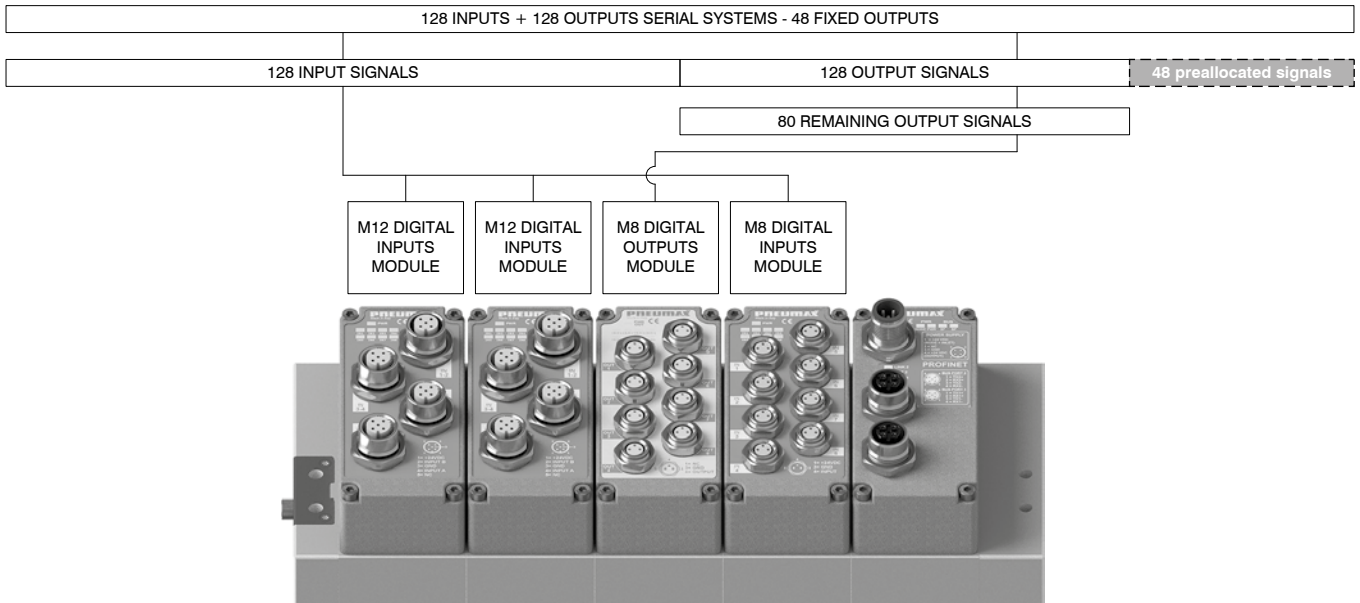
Signal management

64 INPUT + 64 OUTPUT serial systems - 32 fixed OUTPUT (Ex. PROFIBUS DP and CANopen®)

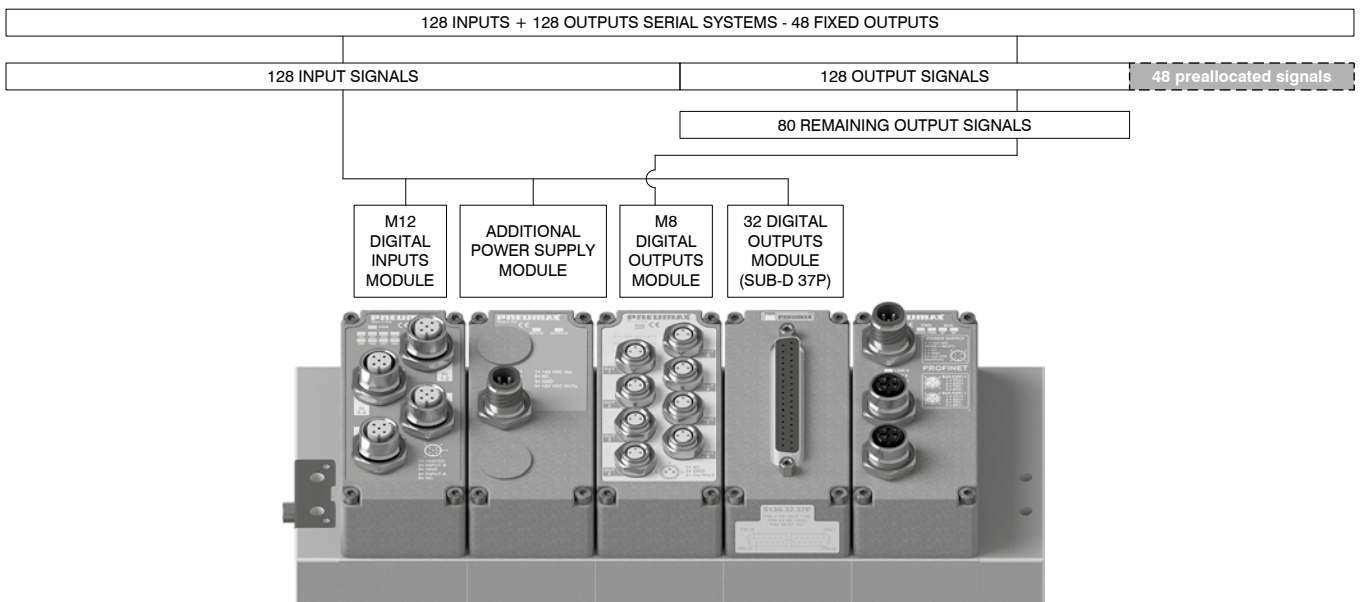


AIR DISTRIBUTION

128 INPUT + 128 OUTPUT serial systems - 48 fixed OUTPUT (Ex. EtherNet/IP - EtherCAT® - PROFINET IO RT)



128 INPUT + 128 OUTPUT serial systems - 48 fixed OUTPUT (Ex. EtherNet/IP - EtherCAT® - PROFINET IO RT)

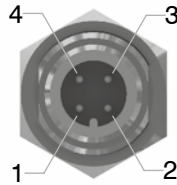


POWER SUPPLY connector

Straight connector M12A 4P female

Coding: 5312A.F04.00

Power supply socket



Upper view slave connector

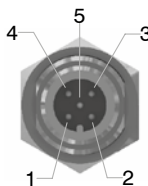
PIN	DESCRIPTION
1	+ 24 V DC (LOGICS AND INPUTS)
2	NC
3	0V
4	+ 24 V DC (OUTPUTS)

NETWORK connectors

Straight connector M12A 5P female

Coding: 5312A.F05.00

Socket for bus CANopen®, DeviceNet/IO-Link



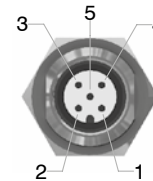
Upper view slave connector

PIN	DESCRIPTION
1	(CAN_SHIELD)
2	(CAN_V+)
3	CAN_GND
4	CAN_H
5	CAN_L

Straight connector M12A 5P male

Coding: 5312A.M05.00

Socket for bus CANopen® / DeviceNet



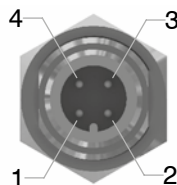
Upper view slave connector



Straight connector M12D 4P male

Coding: 5312D.M04.00

Plug for bus EtherCAT® / PROFINET IO RT, EtherNet/IP



Upper view slave connector

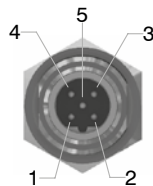
PIN	SIGNAL	DESCRIPTION
1	TX+	Ethernet Transmit High
2	RX+	Ethernet Receive High
3	TX-	Ethernet Transmit Low
4	RX-	Ethernet Receive Low

Trademarks: EtherCAT® is registered trademark and patented technology, licensed by Beckhoff Automation GmbH, Germany.

Straight connector M12B 5P female

Coding: 5312B.F05.00

Socket for bus PROFIBUS DP



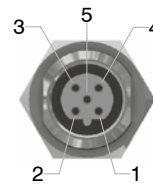
Upper view slave connector

PIN	DESCRIPTION
1	Power Supply
2	A-line
3	DGND
4	B-line
5	SHIELD

Straight connector M12B 5P male

Coding: 5312B.M05.00

Plug for bus PROFIBUS DP



Upper view slave connector



INPUTS connectors

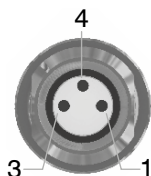
Straight connector M8 3P male

Coding: 5308A.M03.00

Plug for inputs modules



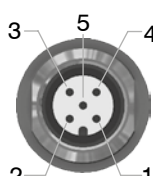
PIN	DESCRIPTION
1	+ 24 V DC
4	INPUT
3	0V



Straight connector M12A 5P male

Coding: 5312A.M05.00

Plug for inputs modules



PIN	DESCRIPTION
1	+ 24 V DC
2	INPUT B
3	0V
4	INPUT A
5	NC

Plugs

M12 plug

Coding: 5300.T12



M8 plug

Coding: 5300.T08





PNEUMAX

PNEUMAX S.p.A.

Via Cascina Barbellina, 10

24050 Lurano (BG) - Italy

P. +39 035 41 92 777

info@pneumaxspa.com