



PNEUMAX



AUTOMOTIVE
PRODUCT OVERVIEW



Pneumax Group

Innovation, Competence and Technology

Founded in 1976, Pneumax S.p.A. is now one of the major international producers of components and systems for automation. The Pneumax group is made up of **27 sales and production companies** that employ more than **800 employees throughout the world**. Continuous investment in research and development have enabled Pneumax to broaden its portfolio of standard products and integrated mechatronic solutions, by combining pneumatic technology, electric actuation and fluid control. The use of the most evolved production technologies guarantees maximum flexibility and quality certified according to the international standards of the various sectors. The aim is to offer increasingly specialised services within specific industry sectors which has led to the creation of **3 Business Units**, respectively dedicated to:

Industrial Automation

Automotive

Process automation



Through a network comprised of branches and exclusive distributors, Pneumax operates in over 50 countries around the world, to support its customers throughout every stage of the supply process.

3 TECHNOLOGIES

PNEUMATIC TECHNOLOGY



ELECTRIC ACTUATION



FLUID CONTROL



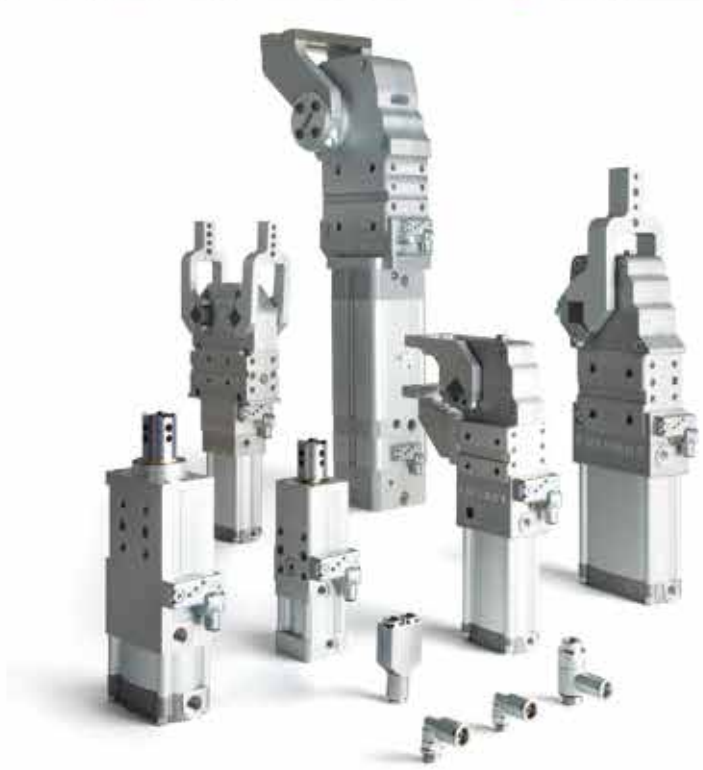
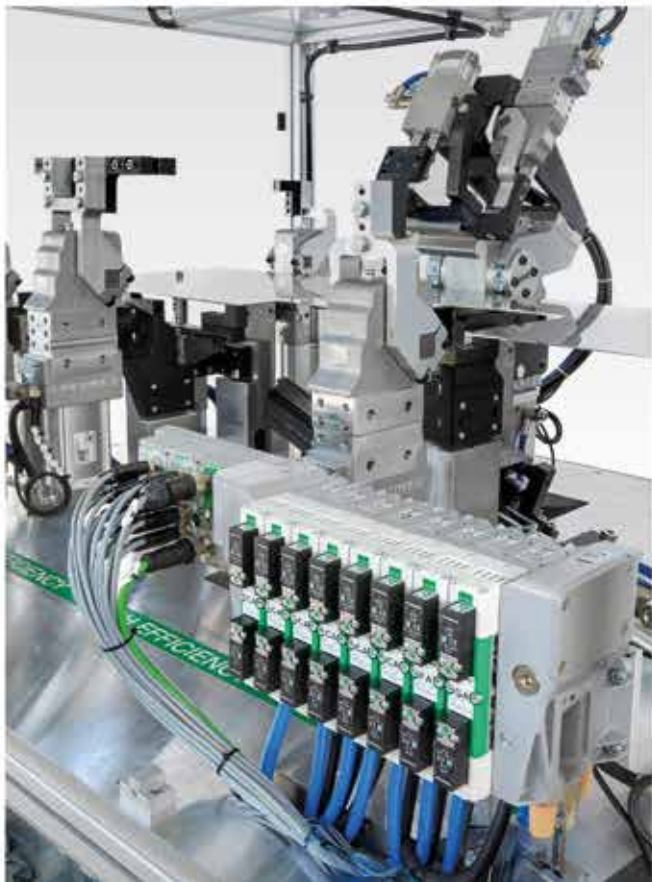


PNEUMAX AUTOMOTIVE

- Clamping units
- Pin packages
- Gripper units
- Power pivots
- NC Locator
- Complementary products
- Accessories

The Automotive division of Pneumax **designs and manufactures a complete range of products dedicated to the production lines of the automotive field**, focusing on Body in White applications

Pneumax offers a **comprehensive range** of clamping units, pivot units, pin packages as well as grippers and complete multi-axis positioning systems. Developed by a team of specialized technicians, the product is designed to ensure maximum reliability, precision and repeatability in compliance with the latest international mounting standards.



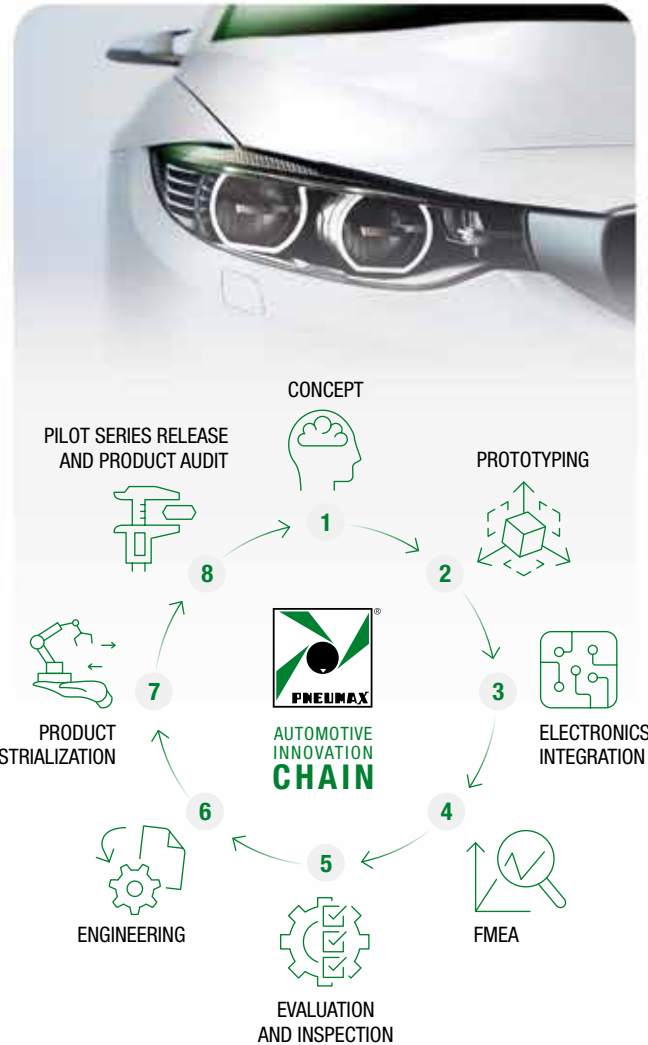


COMPONENTS AND SYSTEMS FOR BODY IN WHITE APPLICATIONS

The Automotive division offers a complete range of products dedicated to the production lines of the industry, with a special focus on **Body in White applications**.

The Pneumax range includes clamping units, pin packages, gripper units, power pivots and complete multi axes positioning systems developed to guarantee maximum reliability and the highest accuracy and repeatability.

Each product series **integrates extremely innovative technical solutions**, without compromising on compliance with the various international mounting standards. Special attention was placed in energy efficiency, with devices that allow the highest savings offered on the market. Pneumax's extensive network across the globe allows optimal and coordinated management of projects with automotive companies internationally.



Safety & green Automation

- Operator and equipment safety
- Flexibility and reduction of setup times
- Connectivity
- Energy savings
- Standardisation



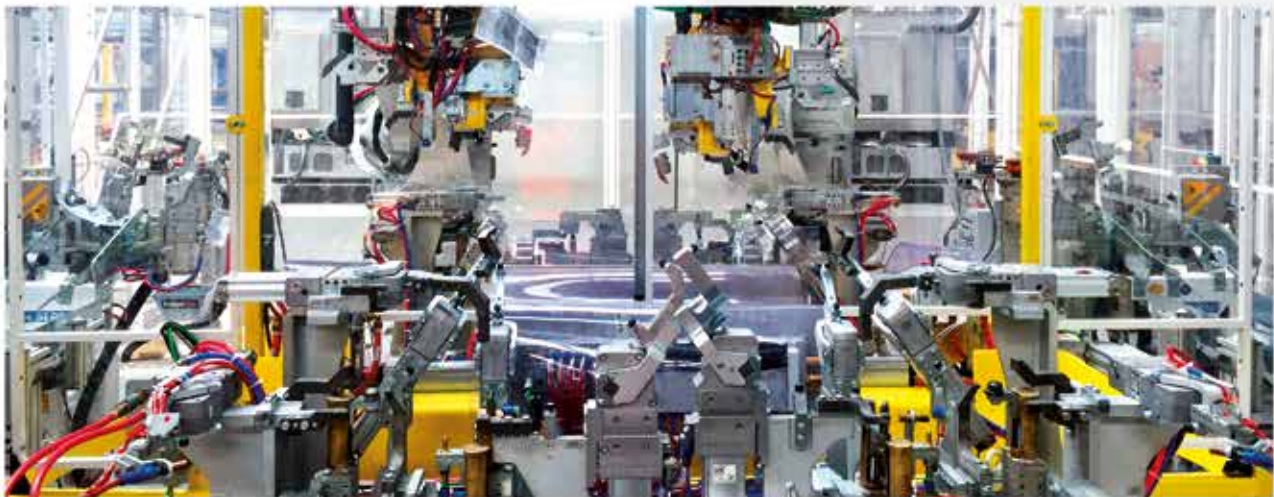
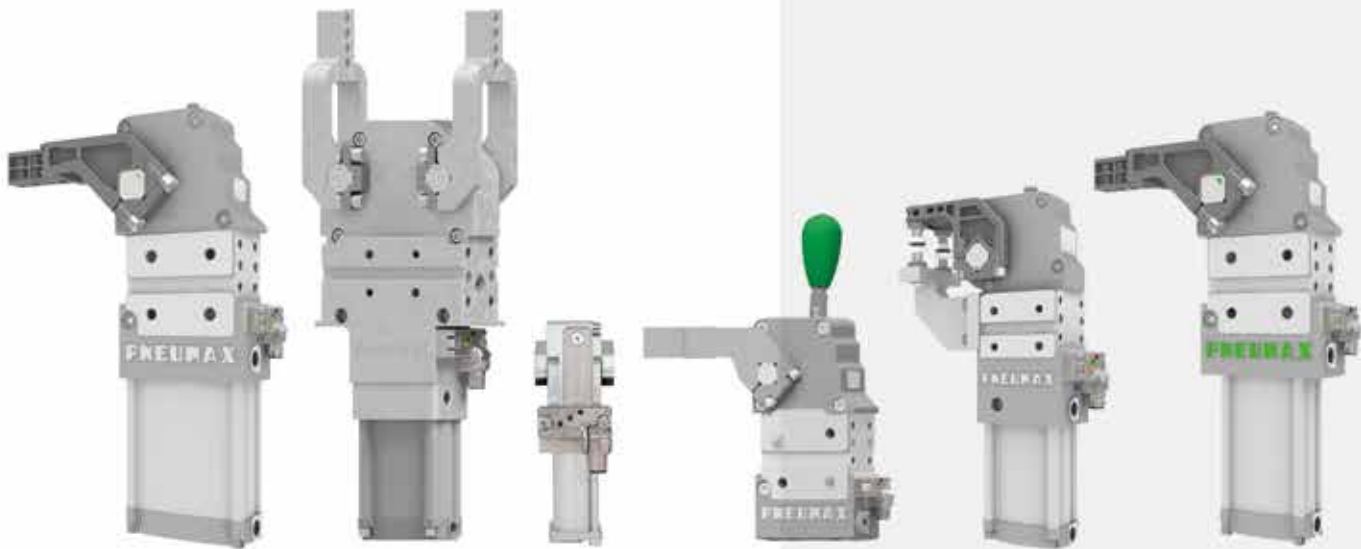
NC Locator

- Multi axes positioning systems



CLAMPING UNITS

Maximum reliability and minimum configuration time



An internal hard stop and a rigid linkage secure a precise and backlash-free positioning thus enhancing the repeatability of the closed position. The toggle mechanism is fully encapsulated within the lightweight aluminum body construction.

Superior needle roller bearings with joints for high load capacity and protection. Protection against any contamination of weld spatter, welding debris and coolants enabling clamps to operate continuously in extreme environments.

Advantages

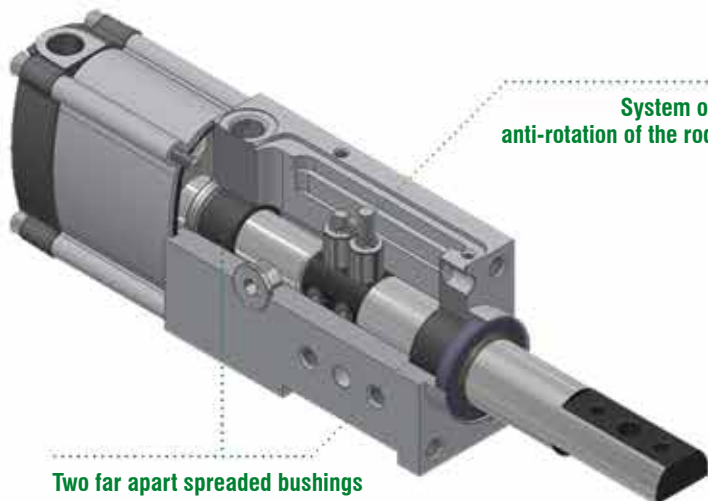
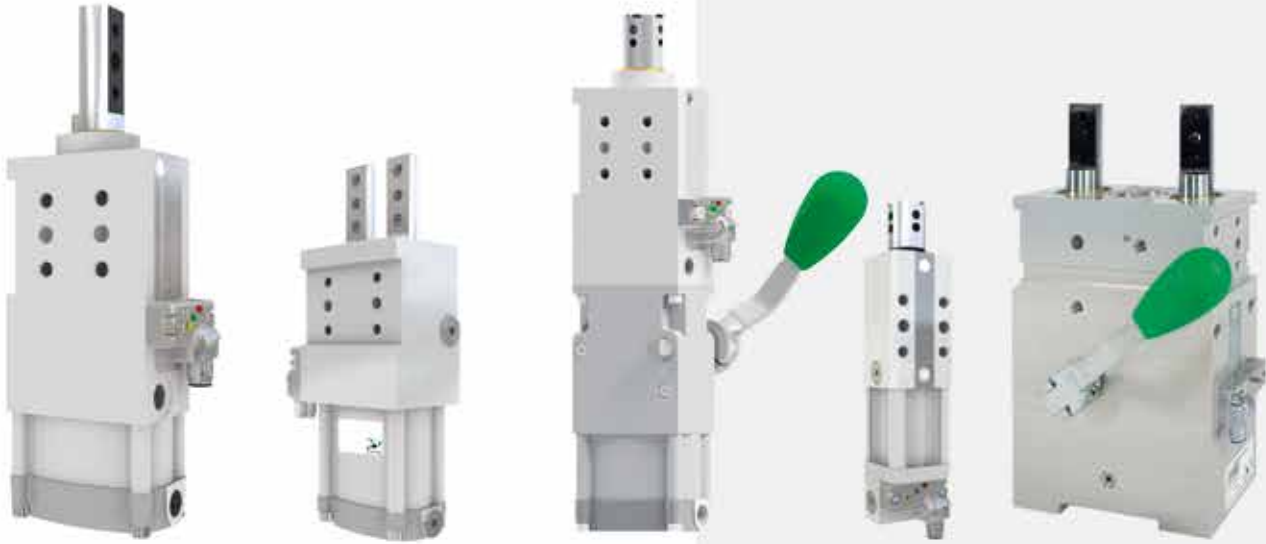
- High efficiency clamps: Air saving 41%
- Stepless opening angle adjustment with the fastest set-up on the market
- Universal electronic sensor with high immunity to electromagnetic fields
- Efficient cushioning system
- Robust & versatile hand lever
- Double workpiece identification system



Patented

PIN PACKAGES

Maximum precision and high resistance to corrosion and welding debris



System of anti-rotation of the rod

Two far apart spreaded bushings

Advantages

- Integrated anti-rotation system
- Twin linear rod
- Extra-light products

POWER PIVOTS



**Strong and reliable
for precise positioning**



Patented



Integrated brake

Brake device for
power pivots

Advantages

- No external stop required.
An internal high stop guarantees
high accuracy and repeatability
- Robust tapered roller bearings

COMPLEMENTARY PRODUCTS



- Fittings
Brass fitting with prolonged sleeves
suitable for arc-welding applications
- Three-Layer Polyurethane tube
External layer: V-0
Middle layer: Aluminum foil
Internal layer: Polyurethane
- ISO 15552 cylinders
- Compact guided cylinders
- Water intake cylinders



PNEUMAX

PNEUMAX S.p.A.
Via Cascina Barbellina, 10
24050 Lurano (BG) - Italy
Ph. +39 035 41 92 777
automotive@pneumaxspa.com
www.pneumaxspa.com