

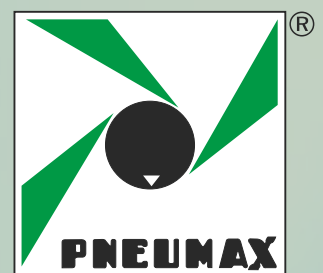
# NEWS **71**

Components for pneumatic automation

## **Electrodistributors ISO 5599/1 complete with M12 connector**



PNEUMAX GREEN LINE: TECHNOLOGY & INNOVATION



[www.pneumaxspa.com](http://www.pneumaxspa.com)

## General

To Increase the range of ISO 5599/1 Solenoid valves, we have added the new ISO-M12 series.

These are available in three sizes, size 1, size 2 and size 3 with flow rates from 900 NI/min for size 1 up to the 3600 NI/min for size 3. The standard features of the ISO valves are still included, however, they are now combined with a M12 electrical connector located in the middle of the valve to manage the electrical signals.

Versions are available to suit valves with both single and double 24VDC solenoids complete with IP65 protection, in addition all version are supplied with LED indicators

## Electrical characteristics

Electrical connector M12x1

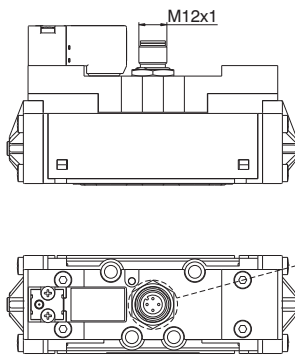
Protection degree IP65

Input voltage 24VDC

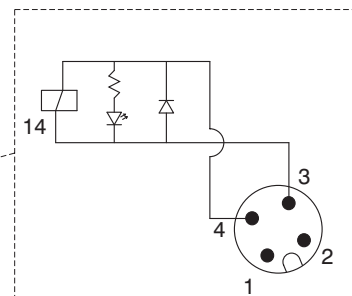
Nominal power 2,3W

LED identification

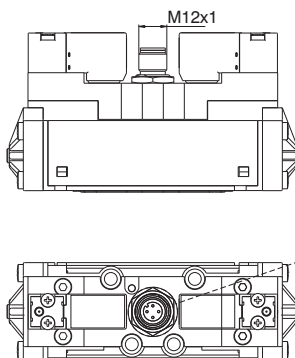
### Monostable version



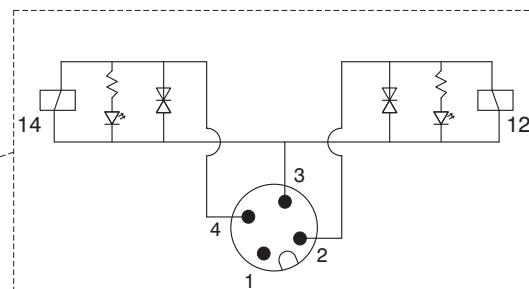
Electrical diagram



### Bistable version

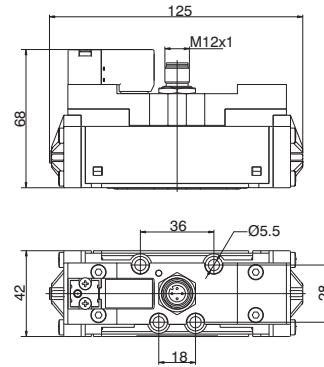


Electrical diagram

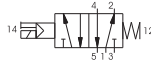


**Solenoid - Spring-5/2**

Ordering code
<b>1111.52.3.9.1</b>
<b>T</b> COIL VOLTAGE 12P = 24VDC



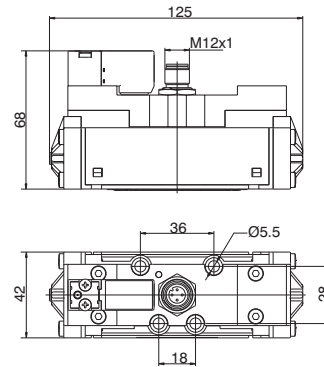
Weight gr. 350  
Minimum piloting pressure 2,5 bar



Operating Characteristics	Fluid	Flow rate at 6 bar with $\Delta p=1$ (NI/min)	Response time according to ISO 12238, activation	Response time according to ISO 12238, deactivation	Max working pressure (bar)	Temperature °C
		Filtered and lubricated air	900	16	122	10

**Solenoid - Differential-5/2**

Ordering code
<b>1111.52.3.6.1</b>
<b>T</b> COIL VOLTAGE 12P = 24VDC



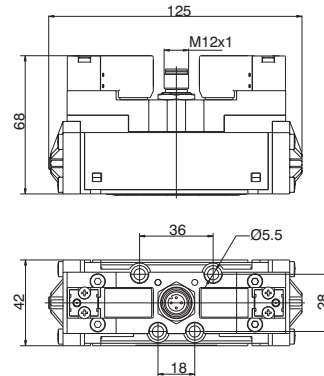
Weight gr. 356  
Minimum piloting pressure 2 bar



Operating Characteristics	Fluid	Flow rate at 6 bar with $\Delta p=1$ (NI/min)	Response time according to ISO 12238, activation	Response time according to ISO 12238, deactivation	Max working pressure (bar)	Temperature °C
		Filtered and lubricated air	900	32	51	10

**Solenoid-Solenoid-5/2**

Ordering code
<b>1111.52.3.5.1</b>
<b>T</b> COIL VOLTAGE 12P = 24VDC



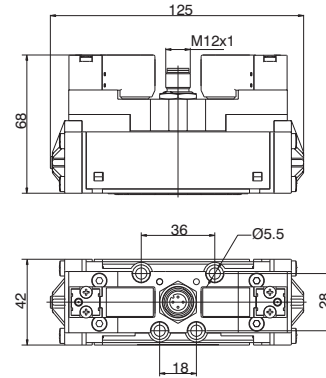
Weight gr. 390  
Minimum piloting pressure 1,5 bar



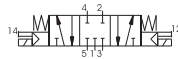
Operating Characteristics	Fluid	Flow rate at 6 bar with $\Delta p=1$ (NI/min)	Response time according to ISO 12238, activation	Response time according to ISO 12238, deactivation	Max working pressure (bar)	Temperature °C
		Filtered and lubricated air	900	13	14	10

**Solenoid-Solenoid-5/3 (Closed centres)**

Ordering code
<b>1111.53.31.3.5.1</b>
<b>T</b> COIL VOLTAGE 12P = 24VDC



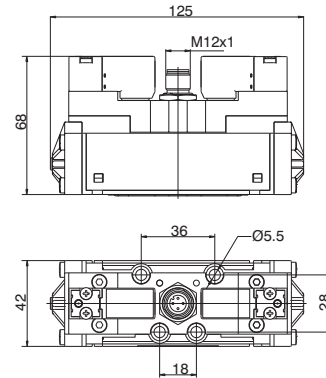
Weight gr. 392  
Minimum piloting pressure 3 bar



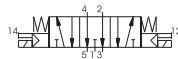
Operating Characteristics	Fluid	Flow rate at 6 bar with $\Delta p=1$ (NI/min)	Response time according to ISO 12238, activation	Response time according to ISO 12238, deactivation	Max working pressure (bar)	Temperature °C
		Filtered and lubricated air	900	18	19	10

**Solenoid-Solenoid-5/3 (Open centres)**

Ordering code
<b>1111.53.32.3.5.1</b>
<b>T</b> COIL VOLTAGE 12P = 24VDC



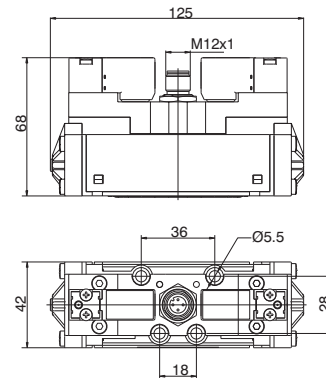
Weight gr. 392  
Minimum piloting pressure 3 bar



Operating Characteristics	Fluid	Flow rate at 6 bar with $\Delta p=1$ (NI/min)	Response time according to ISO 12238, activation	Response time according to ISO 12238, deactivation	Max working pressure (bar)	Temperature °C
		Filtered and lubricated air	900	18	20	10

**Solenoid-Solenoid-5/3 (Pressured centres)**

Ordering code
<b>1111.53.33.3.5.1</b>
<b>T</b> COIL VOLTAGE 12P = 24VDC



Weight gr. 392  
Minimum piloting pressure 3 bar



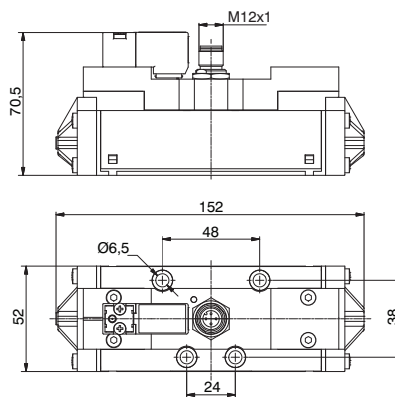
Operating Characteristics	Fluid	Flow rate at 6 bar with $\Delta p=1$ (NI/min)	Response time according to ISO 12238, activation	Response time according to ISO 12238, deactivation	Max working pressure (bar)	Temperature °C
		Filtered and lubricated air	900	19	18	10

**Solenoid - Spring-5/2**

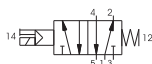
Ordering code

**1112.52.3.9.1**

**T** COIL VOLTAGE  
12P = 24VDC



Weight gr. 510  
Minimum piloting pressure 2,5 bar



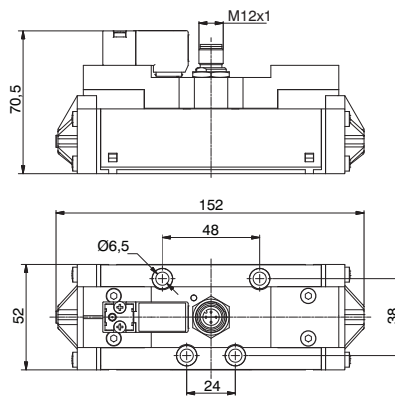
Operating Characteristics	Fluid	Flow rate at 6 bar with $\Delta p=1$ (NI/min)	Response time according to ISO 12238, activation	Response time according to ISO 12238, deactivation	Max working pressure (bar)	Temperature °C
		Filtered and lubricated air	1600	24	124	10

**Solenoid - Differential-5/2**

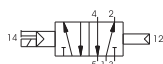
Ordering code

**1112.52.3.6.1**

**T** COIL VOLTAGE  
12P = 24VDC



Weight gr. 515  
Minimum piloting pressure 2 bar



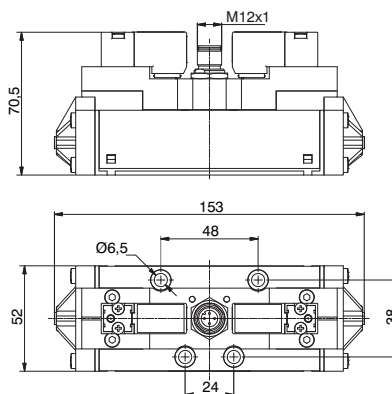
Operating Characteristics	Fluid	Flow rate at 6 bar with $\Delta p=1$ (NI/min)	Response time according to ISO 12238, activation	Response time according to ISO 12238, deactivation	Max working pressure (bar)	Temperature °C
		Filtered and lubricated air	1600	37	90	10

**Solenoid-Solenoid-5/2**

Ordering code

**1112.52.3.5.1**

**T** COIL VOLTAGE  
12P = 24VDC



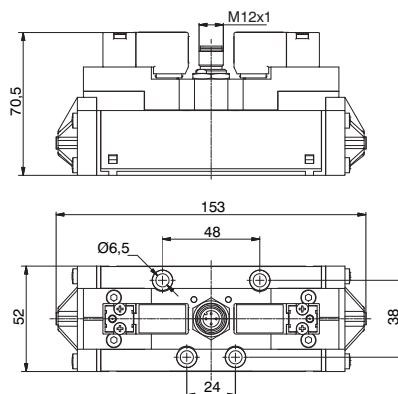
Weight gr. 550  
Minimum piloting pressure 1,5 bar



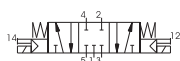
Operating Characteristics	Fluid	Flow rate at 6 bar with $\Delta p=1$ (NI/min)	Response time according to ISO 12238, activation	Response time according to ISO 12238, deactivation	Max working pressure (bar)	Temperature °C
		Filtered and lubricated air	1600	17	20	10

**Solenoid-Solenoid-5/3 (Closed centres)**

Ordering code
<b>1112.53.31.3.5.1</b>
<b>T</b> COIL VOLTAGE 12P = 24VDC



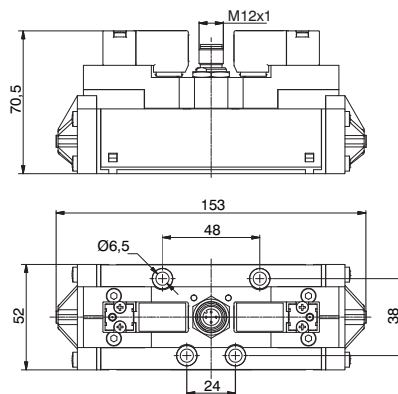
Weight gr. 560  
Minimum piloting pressure 3 bar



Operating Characteristics	Fluid	Flow rate at 6 bar with $\Delta p=1$ (NI/min)	Response time according to ISO 12238, activation	Response time according to ISO 12238, deactivation	Max working pressure (bar)	Temperature °C
		Filtered and lubricated air	1600	18	112	10

**Solenoid-Solenoid-5/3 (Open centres)**

Ordering code
<b>1112.53.32.3.5.1</b>
<b>T</b> COIL VOLTAGE 12P = 24VDC



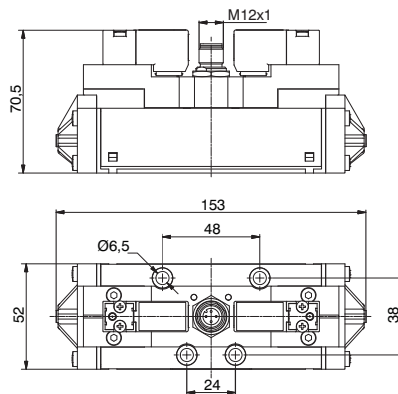
Weight gr. 560  
Minimum piloting pressure 3 bar



Operating Characteristics	Fluid	Flow rate at 6 bar with $\Delta p=1$ (NI/min)	Response time according to ISO 12238, activation	Response time according to ISO 12238, deactivation	Max working pressure (bar)	Temperature °C
		Filtered and lubricated air	1600	18	106	10

**Solenoid-Solenoid-5/3 (Pressured centres)**

Ordering code
<b>1112.53.33.3.5.1</b>
<b>T</b> COIL VOLTAGE 12P = 24VDC



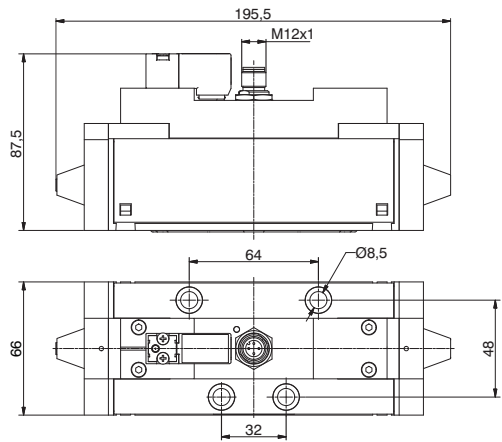
Weight gr. 560  
Minimum piloting pressure 3 bar



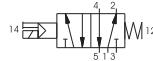
Operating Characteristics	Fluid	Flow rate at 6 bar with $\Delta p=1$ (NI/min)	Response time according to ISO 12238, activation	Response time according to ISO 12238, deactivation	Max working pressure (bar)	Temperature °C
		Filtered and lubricated air	1600	20	118	10

**Solenoid - Spring-5/2**

Ordering code
<b>1113.52.3.9.1</b>
<b>T</b> COIL VOLTAGE 12P = 24VDC



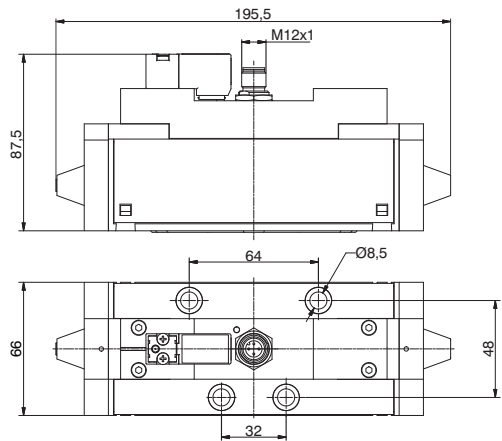
Weight gr. 1360  
Minimum piloting pressure 2,5 bar



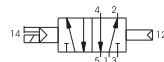
Operating Characteristics	Fluid	Flow rate at 6 bar with $\Delta p=1$ (NI/min)	Response time according to ISO 12238, activation	Response time according to ISO 12238, deactivation	Max working pressure (bar)	Temperature °C
		Filtered and lubricated air	3600	46	254	10

**Solenoid - Differential-5/2**

Ordering code
<b>1113.52.3.6.1</b>
<b>T</b> COIL VOLTAGE 12P = 24VDC



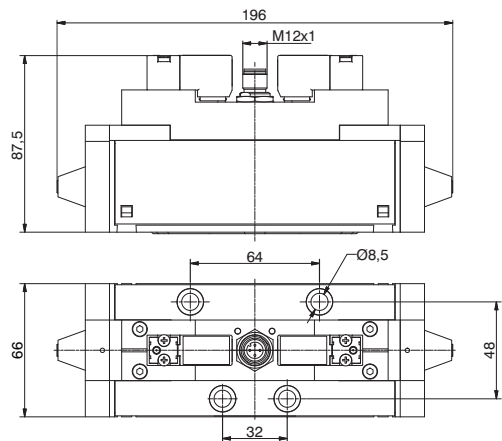
Weight gr. 1360  
Minimum piloting pressure 2 bar



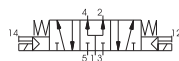
Operating Characteristics	Fluid	Flow rate at 6 bar with $\Delta p=1$ (NI/min)	Response time according to ISO 12238, activation	Response time according to ISO 12238, deactivation	Max working pressure (bar)	Temperature °C
		Filtered and lubricated air	3600	78	180	10

**Solenoid-Solenoid-5/2**

Ordering code
<b>1113.52.3.5.1</b>
<b>T</b> COIL VOLTAGE 12P = 24VDC



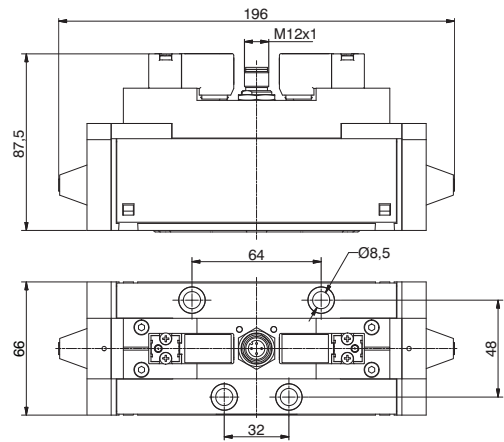
Weight gr. 1370  
Minimum piloting pressure 1,5 bar



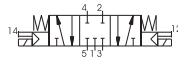
Operating Characteristics	Fluid	Flow rate at 6 bar with $\Delta p=1$ (NI/min)	Response time according to ISO 12238, activation	Response time according to ISO 12238, deactivation	Max working pressure (bar)	Temperature °C
		Filtered and lubricated air	3600	32	37	10

**Solenoid-Solenoid-5/3 (Closed centres)**

Ordering code
<b>1113.53.31.3.5.1</b>
<b>T</b> COIL VOLTAGE 12P = 24VDC



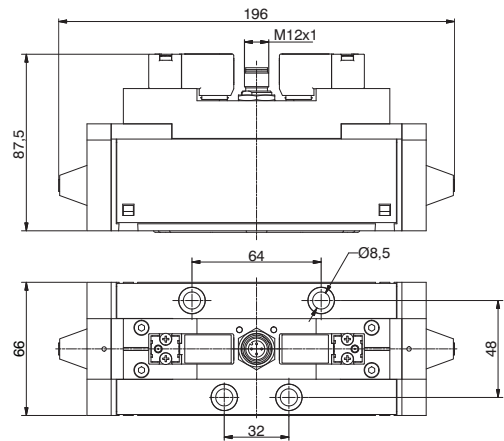
Weight gr. 1380  
Minimum piloting pressure 3 bar



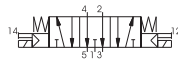
Operating Characteristics	Fluid	Flow rate at 6 bar with $\Delta p=1$ (NI/min)	Response time according to ISO 12238, activation	Response time according to ISO 12238, deactivation	Max working pressure (bar)	Temperature °C
		Filtered and lubricated air	3600	30	305	10

**Solenoid-Solenoid-5/3 (Open centres)**

Ordering code
<b>1113.53.32.3.5.1</b>
<b>T</b> COIL VOLTAGE 12P = 24VDC



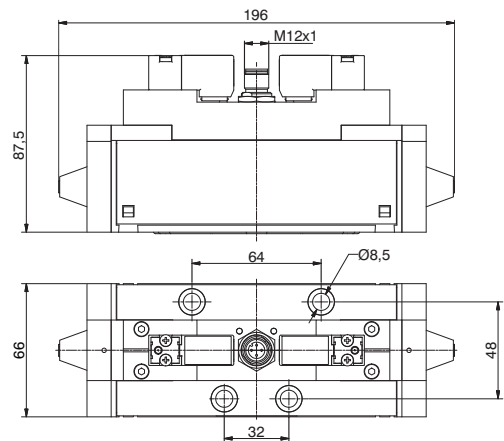
Weight gr. 1380  
Minimum piloting pressure 3 bar



Operating Characteristics	Fluid	Flow rate at 6 bar with $\Delta p=1$ (NI/min)	Response time according to ISO 12238, activation	Response time according to ISO 12238, deactivation	Max working pressure (bar)	Temperature °C
		Filtered and lubricated air	3600	30	230	10

**Solenoid-Solenoid-5/3 (Pressured centres)**

Ordering code
<b>1113.53.33.3.5.1</b>
<b>T</b> COIL VOLTAGE 12P = 24VDC

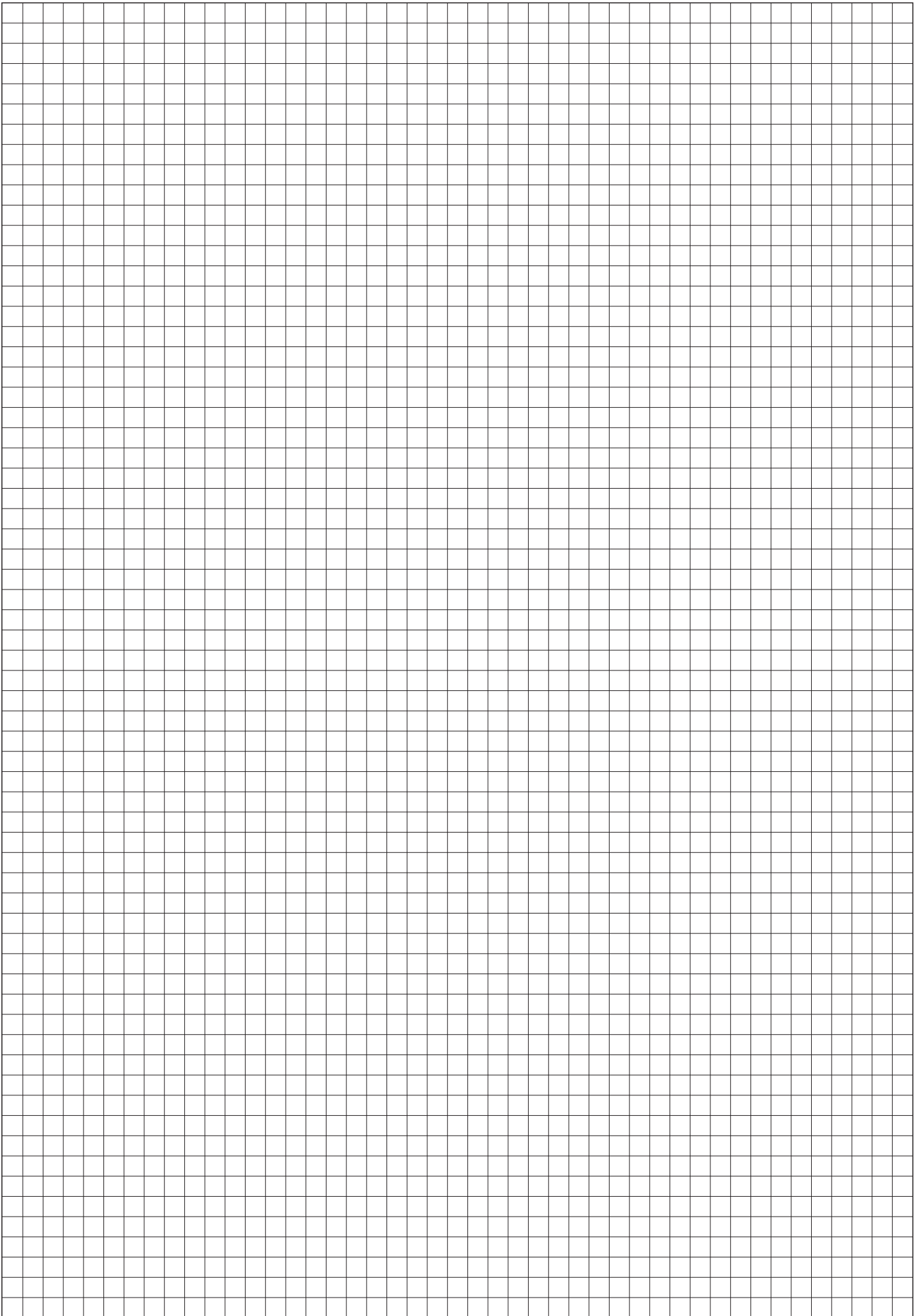


Weight gr. 1380  
Minimum piloting pressure 3 bar



Operating Characteristics	Fluid	Flow rate at 6 bar with $\Delta p=1$ (NI/min)	Response time according to ISO 12238, activation	Response time according to ISO 12238, deactivation	Max working pressure (bar)	Temperature °C
		Filtered and lubricated air	3600	32	270	10





**PNEUMAX S.p.A.**  
24050 Lurano (BG) - Italia  
Via Cascina Barbellina, 10

Tel +39 (0) 35 4192777  
Fax +39 (0) 35 4192740  
+39 (0) 35 4192741

[info@pneumaxspa.com](mailto:info@pneumaxspa.com)  
[www.pneumaxspa.com](http://www.pneumaxspa.com)

D. NW. 71/GB - 03/2014  
PRINTED IN ITALY - 03/2014

