



► High sensitive pressure regulator for manipulation applications



- ▶ Accurate capacity to maintain set pressure
- ▶ Sensitivity combined with high relieving rates
- ▶ High flow rate with extremely low pressure drop
- ▶ Manual and piloted adjustment for structure and load balancing
- ▶ Aluminium body
- ▶ Construction with controlled relief
- ▶ Manual adjustment: 5 Bar Maximum
- ▶ Pilot adjustment: 5 Bar Maximum
- ▶ Hysteresis ± 0.01 bar

2 AIR TREATMENT

Technical characteristics	Size
	Size 3
Body and connections type	Aluminium body, integrated aluminium connections
IN / OUT / EXH connections	G1/2" (IN and OUT) / G3/8 (EXH)
Pilot connection	G1/8
Assembly configuration	Stand alone With fixing bracket
Assembly position	Indifferent
Fluid	20 μ filtered air and preferably non lubricated
Air flow with inlet pressure 10 bar (Nl/min)	5
Pressure range (bar)	0.1 - 5 (max manual adjustment) / 0.1 - 8 (max pilot adjustment)
Regulation	Manual (for balancing of the structure) Piloted (for load balancing)
Pressure measurement	G1/8" Pressure gauge connection port
Max. fittings torque IN / OUT connections	G1/2" metal: 30 G3/8" metal: 25

Operational characteristics	Size
	Size 3
Maximum working pressure (bar)	10
Minimum working pressure (bar)	OUT pressure + 1 bar
Working temperature (°C)	-5 ... +70
Sensitivity	0.2% F.S
Repeatability	$\pm 0.5\%$ F.S
Hysteresis	± 0.01 bar

Weights	Size
	Size 3
Aluminium body version (g)	1600

Order codes

RB17 3B R2C

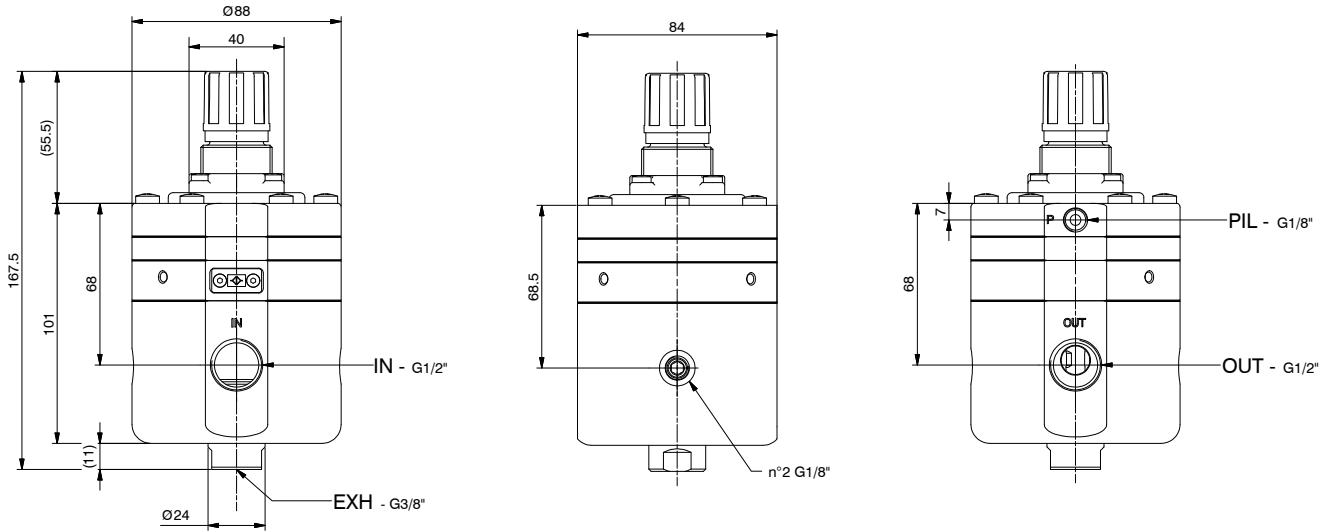
Size, body and connections

3B Aluminium body, connections G1/2" (only for size 3)

Example: RB173BR2C

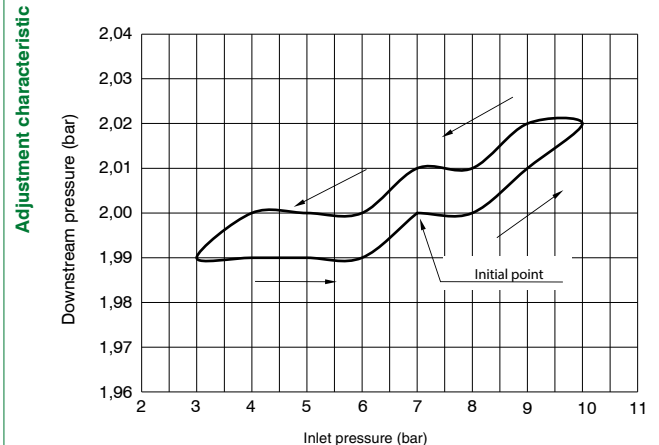
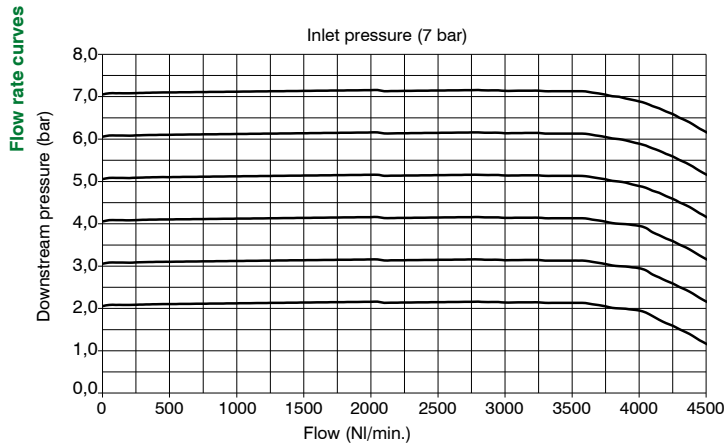
Size 3, high sensitive pressure regulator for manipulation applications, aluminium body, G1/2" connections

Dimensions



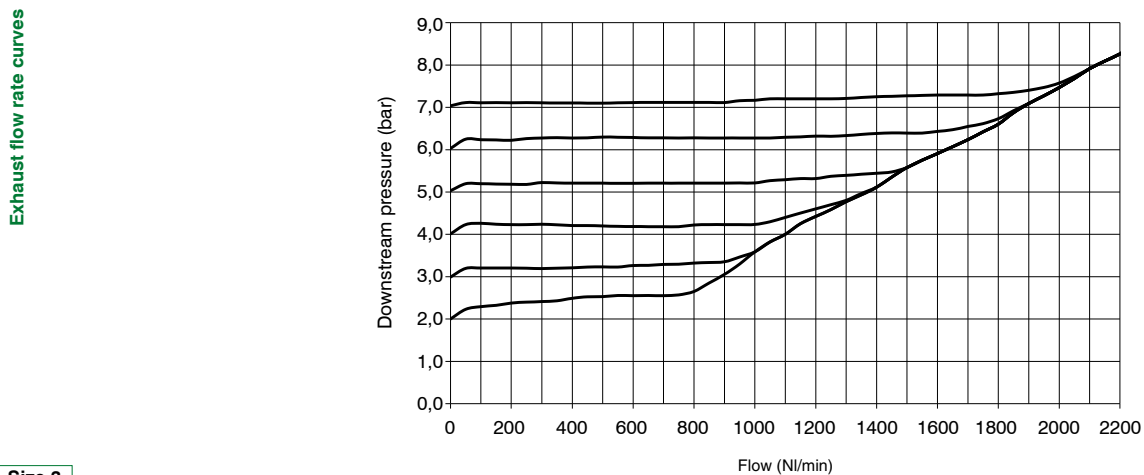
Size 3

Characteristic curves



Size 3

Size 3

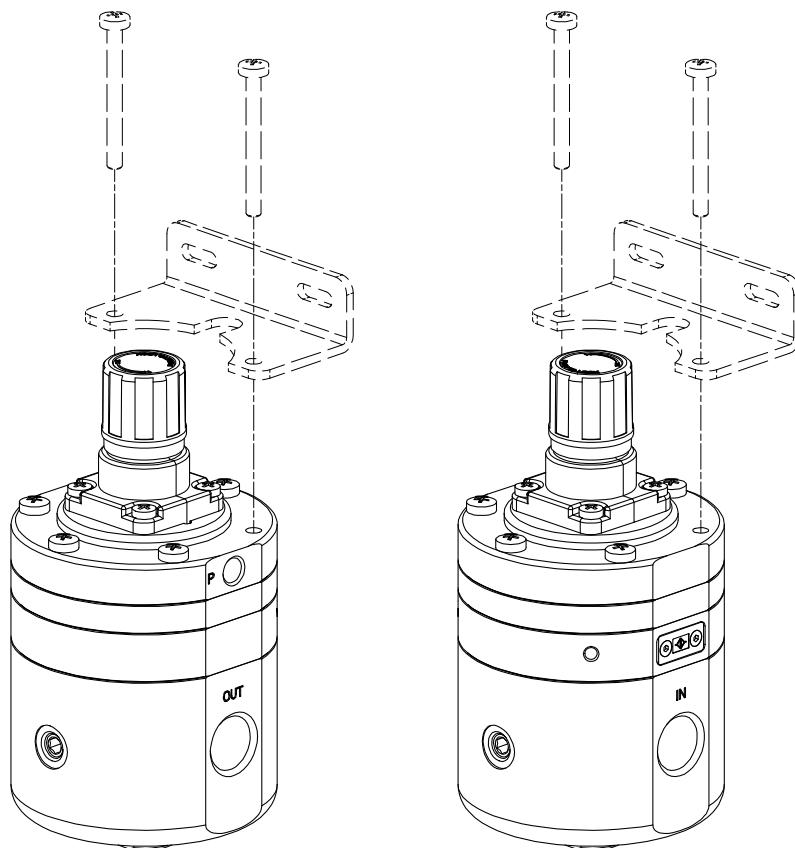


Size 3

Accessories and fixing

The regulator can be mounted by means of a bracket. To enable fixing, unscrew the two screws indicated and screw them back with the bracket mounted. It is advisable to apply soft thread-locker to the screws before screwing them back in.

2
AIR TREATMENT



Fixing bracket

RB17350

Model	
RB17350	Fixing bracket for the high sensitive pressure regulator for manipulation applications

